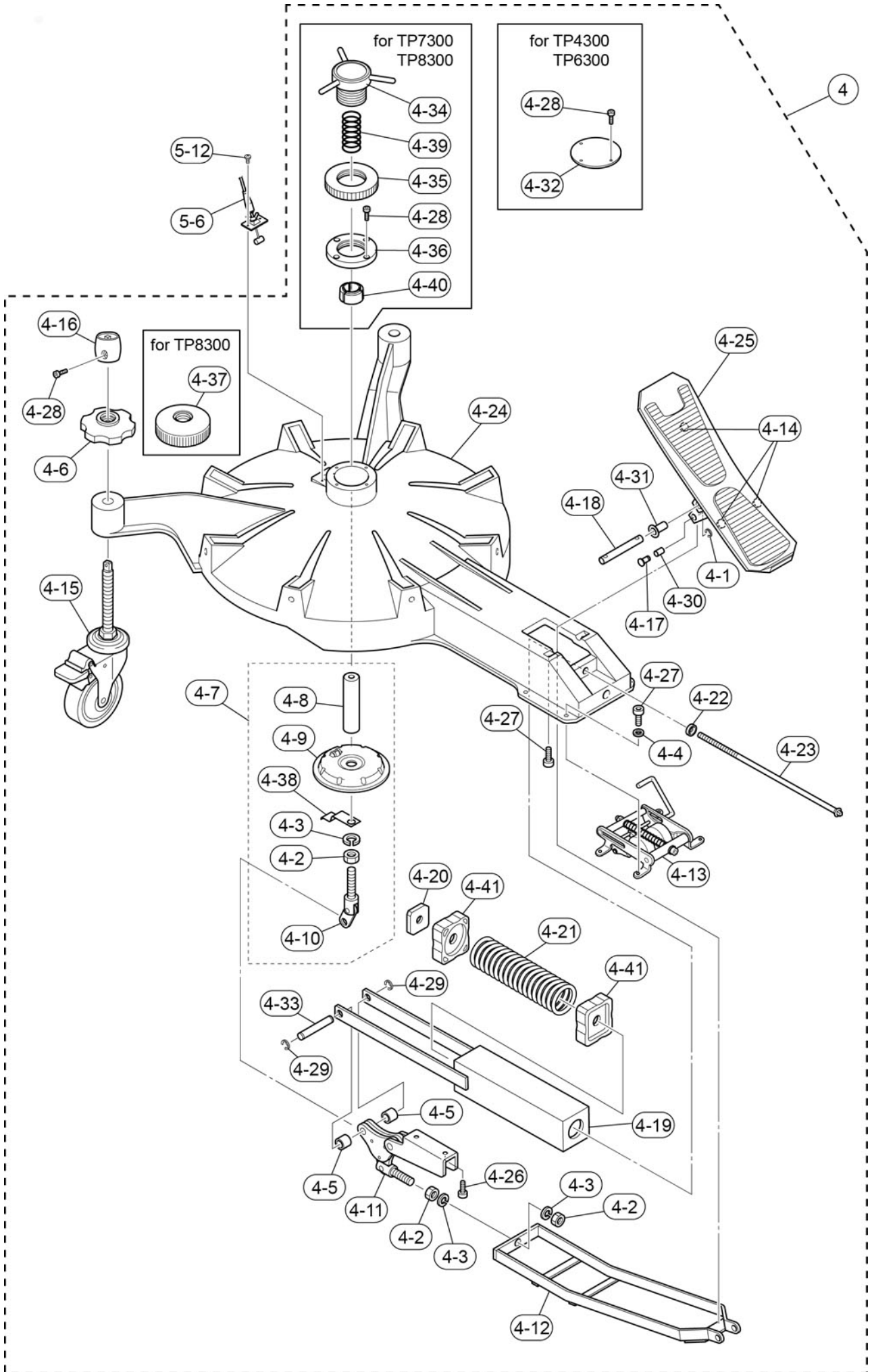


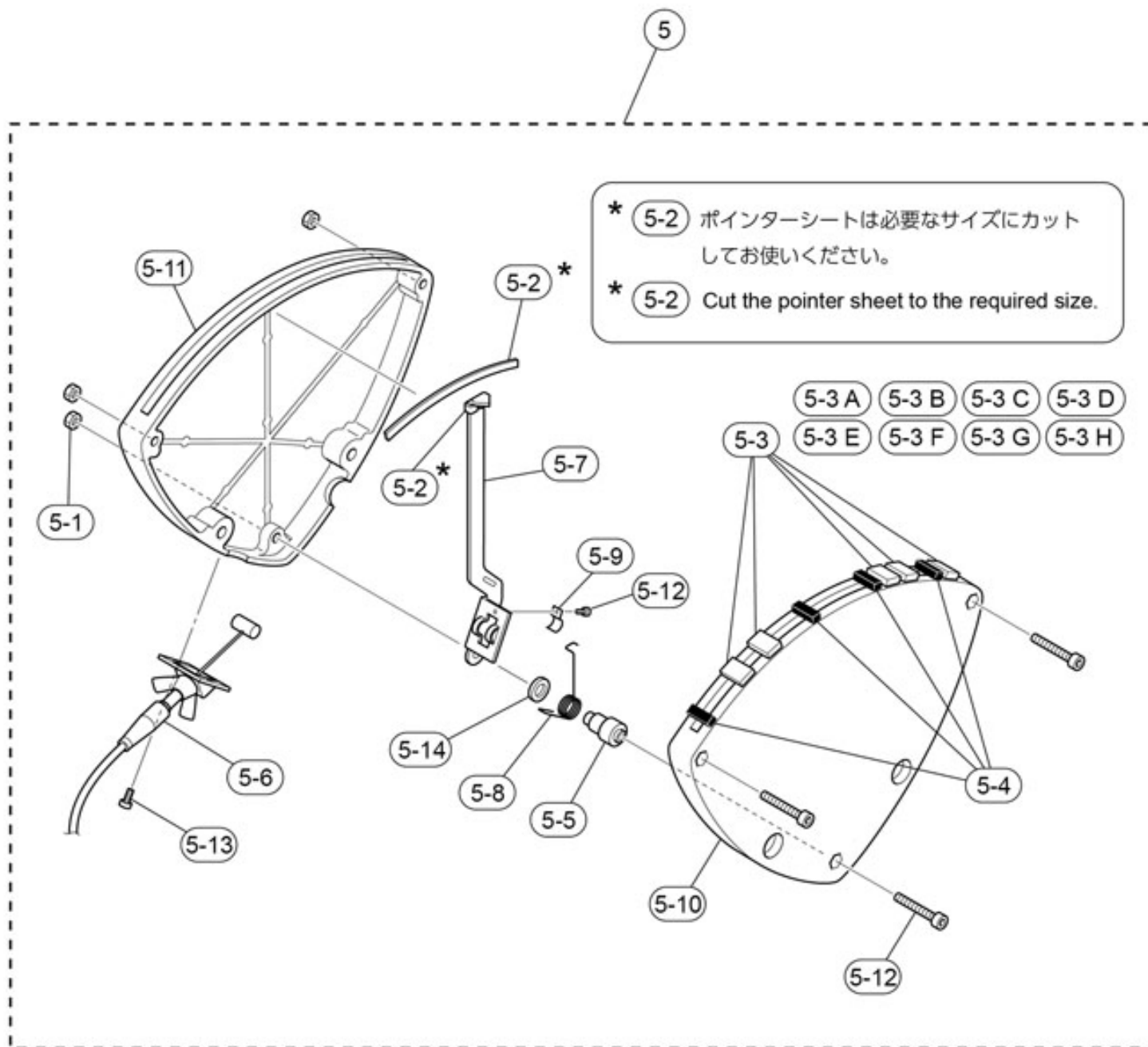
27

ヘッドカバー  
Head Cover

\* 21 リングシートは1本約1mです。  
ティンパニのサイズ毎に以下の本数  
が必要です。  
・20", 23": 2本 ・24" - 32": 3本

\* 21 Each ring sheet is about 1  
meter in length. The number of  
rings required for each size of  
timpani is as follows.  
・20", 23": x2 ・24" - 32": x3





## ティンパニー R モデル別 ノート使用数

| パーツNO     | 名称    | TP4323R | TP4326R | TP4329R | TP4332R | TP6320R | TP6323R | TP6326R | TP6329R | TP6332R |
|-----------|-------|---------|---------|---------|---------|---------|---------|---------|---------|---------|
| ZT 805100 | ノートFA | 0       | 1       | 1       | 1       | 1       | 0       | 1       | 1       | 1       |
| ZT 805200 | ノートFB | 0       | 1       | 1       | 0       | 1       | 0       | 1       | 1       | 0       |
| ZT 805300 | ノートFC | 1       | 1       | 1       | 0       | 1       | 1       | 1       | 1       | 0       |
| ZT 805400 | ノートFD | 1       | 1       | 0       | 1       | 0       | 1       | 1       | 0       | 1       |
| ZT 805500 | ノートFE | 1       | 1       | 0       | 1       | 1       | 1       | 1       | 0       | 1       |
| ZT 805600 | ノートFF | 1       | 1       | 1       | 1       | 1       | 1       | 1       | 1       | 1       |
| ZT 805700 | ノートFG | 1       | 0       | 1       | 1       | 1       | 1       | 0       | 1       | 1       |
| ZT 805900 | ノートF# | 4       | 3       | 4       | 4       | 3       | 4       | 3       | 4       | 4       |

| パーツNO     | 名称    | TP7320R | TP7323R | TP7326R | TP7329R | TP7332R | TP8320R | TP8323R | TP8324R | TP8326R | TP8327R | TP8329R | TP8332R |
|-----------|-------|---------|---------|---------|---------|---------|---------|---------|---------|---------|---------|---------|---------|
| ZT 805100 | ノートFA | 1       | 0       | 1       | 1       | 1       | 1       | 0       | 0       | 1       | 1       | 1       | 1       |
| ZT 805200 | ノートFB | 1       | 0       | 1       | 1       | 0       | 1       | 0       | 1       | 1       | 1       | 1       | 0       |
| ZT 805300 | ノートFC | 1       | 1       | 1       | 1       | 0       | 1       | 1       | 1       | 1       | 1       | 1       | 0       |
| ZT 805400 | ノートFD | 0       | 1       | 1       | 0       | 1       | 0       | 1       | 1       | 1       | 1       | 0       | 1       |
| ZT 805500 | ノートFE | 1       | 1       | 1       | 0       | 1       | 1       | 1       | 1       | 1       | 1       | 0       | 1       |
| ZT 805600 | ノートFF | 1       | 1       | 1       | 1       | 1       | 1       | 1       | 1       | 1       | 0       | 1       | 1       |
| ZT 805700 | ノートFG | 1       | 1       | 0       | 1       | 1       | 1       | 1       | 1       | 0       | 0       | 1       | 1       |
| ZT 805900 | ノートF# | 3       | 4       | 3       | 4       | 4       | 3       | 4       | 3       | 3       | 4       | 4       | 4       |

Model Name : TP-6332R

| Ref No. | Parts No.(ChangeNo.) | English Name                          | Minimum Delivery | Accept order or not |
|---------|----------------------|---------------------------------------|------------------|---------------------|
| 1       | ZF111700             | HOOP ASSY K8-32                       | 1 PC             |                     |
| 10      | ZY235400             | WIRE CRUMP K L25mm SP                 | 1 PC             |                     |
| 12      | ZF184300             | BOLT 8 M8X25 MFZN2B3                  | 1 PC             |                     |
| 14      | WE950300             | SCREW MACHINE +FLAT 6.0X25 MFZN2W3    | 1 PC             |                     |
| 15      | WE950400             | SCREW MACHINE +FLAT 6.0X30 MFZN2W3    | 1 PC             |                     |
| 16      | ZF186200             | DOMED CAP NUT 6                       | 1 PC             |                     |
| 17      | WF556300             | SPRING WASHER 4.0 MFZN2B3 KP125       | 1 PC             |                     |
| 18      | ZF185100             | BOLT 6.0X35 MFZN2B3                   | ST               |                     |
| 19      | WF723600             | PLAIN WASHER SMALL 6X11.5X0.8 MFZN2W3 | 1 PC             |                     |
| 2       | ZF119300             | SUSPENSION RING K8-32                 | 1 PC             |                     |
| 20      | ZP345800             | FELT SHEET 35X14X4                    | 1 PC             |                     |
| 21      | ZT852800             | RING SHEET R 12X970X0.48              | 1 PC             |                     |
| 23      | ZT798800             | KEY CRIP KR                           | 1 PC             |                     |
| 24      | WH917400             | WRENCH 5MM TP-43/63/73                | 1 PC             |                     |
| 25      | W1005100             | TUNING KEY                            | 1 PC             | Discontinued.       |
| 26      | ZS825700             | BOLT 6.0X10 MFZN2B3                   | 1 PC             |                     |
| 27      | W6695220             | TIMPANI HEAD COVER 32" TP6032,4032    | 1 PC             |                     |
| 28      | 22971700             | Cohesion tape                         | ST               | ORDER STOP          |
| 3       | ZF111900             | FRAME ASSY K8                         | 1 PC             | Discontinued.       |
| 3-1     | ZF113400             | TNJ ASSY                              | 1 PC             |                     |
| 3-10    | ZF184200             | MACHINE SCREW OVAL 4.0X30 MFZNB3      | 1 PC             | Discontinued.       |
| 3-2     | ZF113500             | TSJ ASSY                              | 1 PC             |                     |
| 3-3     | ZF121300             | TNJAXIS K                             | 1 PC             |                     |
| 3-4     | ZF121600             | TSJAXIS K                             | 1 PC             |                     |
| 3-6     | ZF126500             | FRAME K                               | 1 PC             |                     |
| 3-7     | ZH232100             | SPACER T5                             | 1 PC             |                     |
| 3-8     | ZH232300             | SPACER T2                             | 1 PC             |                     |
| 3-9     | ZF121800             | TUNING ROD K8                         | 1 PC             |                     |
| 4       | ZT798700             | BASE ASSY K8S R                       | PC.              |                     |
| 4-1     | WF245101             | E RING 4.0 MFZN2W3                    | PC               |                     |
| 4-10    | ZK806900             | CENTER LINK ASSY K                    | 1 PC             |                     |
| 4-11    | ZF112400             | CT LINK ASSY                          | 1 PC             |                     |
| 4-12    | ZF112700             | PEDAL LINK ASSY K8                    | 1 PC             |                     |
| 4-13    | ZT791000             | PEDAL CASTER R ASSY                   | 1 PC             |                     |
| 4-14    | ZF115000             | BANPON TM166-03                       | 1 PC             |                     |
| 4-15    | ZT806500             | CASTER 916EA-UZ100 L120               | 1 PC             |                     |
| 4-16    | ZT798900             | BOLT CAP                              | 1 PC             |                     |
| 4-17    | ZW762000             | PEDAL ROD R                           | PC.              |                     |
| 4-18    | ZF123600             | PEDAL AXIS K                          | 1 PC             |                     |
| 4-19    | ZF123800             | SPRING CASE K8                        | 1 PC             |                     |

Model Name : TP-6332R

| Ref No. | Parts No.(ChangeNo.) | English Name                        | Minimum Delivery | Accept order or not |
|---------|----------------------|-------------------------------------|------------------|---------------------|
| 4-2     | WF557400             | NUT HEX M8 #1                       | 1 PC             |                     |
| 4-21    | ZX376000             | SPRING 52-30150                     | 1 PC             |                     |
| 4-22    | ZF124200             | COLLAR K                            | 1 PC             |                     |
| 4-23    | ZF124300             | SPRING BOLT                         | 1 PC             |                     |
| 4-24    | ZF126700             | BASE K8                             | 1 PC             |                     |
| 4-25    | ZF126800             | PEDAL K                             | 1 PC             |                     |
| 4-26    | ZF184600             | BOLT 6.0X15 MFZN2W3                 | 1 PC             |                     |
| 4-27    | ZF184800             | BOLT 5.0X12 MFZN2B3                 | 1 PC             |                     |
| 4-28    | ZF184900             | BOLT 4.0X12 MFZN2B3                 | 1 PC             |                     |
| 4-29    | ZF187000             | E RING 6.0 SUS                      | 1 PC             |                     |
| 4-3     | WF628200             | WASHER SPRING #2 8.0 MFZN2W3        | 1 PC             |                     |
| 4-31    | ZH157500             | BUSH HPF-1010                       | 1 PC             |                     |
| 4-33    | ZJ547100             | SPRING SHAFT K                      | 1 PC             |                     |
| 4-37    | ZF109200             | CASTER LOCK                         | 1 PC             |                     |
| 4-38    | ZT854800             | END SPRING SR                       | 1 PC             |                     |
| 4-39    | ZF115100             | PAC SPRING SAMINI NO.11-2821        | 1 ST             |                     |
| 4-4     | WG634300             | FLAT WASHER M5.0X10X1 MFZN2B3 KP125 | 1 PC             |                     |
| 4-40    | ZF108900             | PAC BRAKE                           | 1 PC             |                     |
| 4-5     | ZF108800             | SPACER 8,14,12                      | 1 PC             |                     |
| 4-6     | ZF109200             | CASTER LOCK                         | 1 PC             |                     |
| 4-7     | ZT855000             | SPIDER ASSY K8SR                    | PC               | Discontinued.       |
| 4-9     | ZF122200             | SPIDER K8                           | 1 PC             |                     |
| 5       | ZF113300             | TI ASSY K32                         | 1 PC             | Discontinued.       |
| 5-1     | WF557500             | HEXAGONAL NUT M4 #1 DGC1B           | 1 PC             |                     |
| 5-10    | ZF126900             | TI CASE L                           | 1 PC             |                     |
| 5-11    | ZF127000             | TI CASE R                           | 1 PC             |                     |
| 5-12    | ZF185000             | BOLT 4.0X28 MFZN2B3                 | 1 PC             |                     |
| 5-13    | ZF186600             | SCREW MACHINE WPAN 3.0X6 MFZN2B3    | 1 PC             |                     |
| 5-14    | ZF109100             | POM WASHER 6.2,12,T1                | 1 PC             |                     |
| 5-2     | ZF108600             | POINTER SHEET W4XL18XT1             | 1 PC             |                     |
| 5-3 A   | ZT805100             | NOTE R A                            | 1 PC             |                     |
| 5-3 B   | ZT805200             | NOTE R B                            | 1 PC             |                     |
| 5-3 C   | ZT805300             | NOTE R C                            | 1 PC             |                     |
| 5-3 D   | ZT805400             | NOTE R D                            | 1 PC             |                     |
| 5-3 E   | ZT805500             | NOTE R E                            | 1 PC             |                     |
| 5-3 F   | ZT805600             | NOTE R F                            | 1 PC             |                     |
| 5-3 G   | ZT805700             | NOTE R G                            | 1 PC             |                     |
| 5-3 H   | ZT805800             | NOTE R H                            | 1 PC             |                     |
| 5-4     | ZT805900             | NOTE R #                            | 1 PC             |                     |
| 5-5     | ZF110200             | POINTER AXIS                        | 1 PC             |                     |

