



Expansion Set HXR.E.X.II



*Some models may not be available in some countries.
*Colors shown in this catalog may not be represented exactly
as the original colors due to printing processes involved.
*Specifications are subject to change without notice.



This document is printed on chlorine-free
(ECF) paper with soy ink.

<http://www.yamaha.com/hex2/>



P 1 0 0 2 4 0 5 0

LDR1202CB Printed in Japan

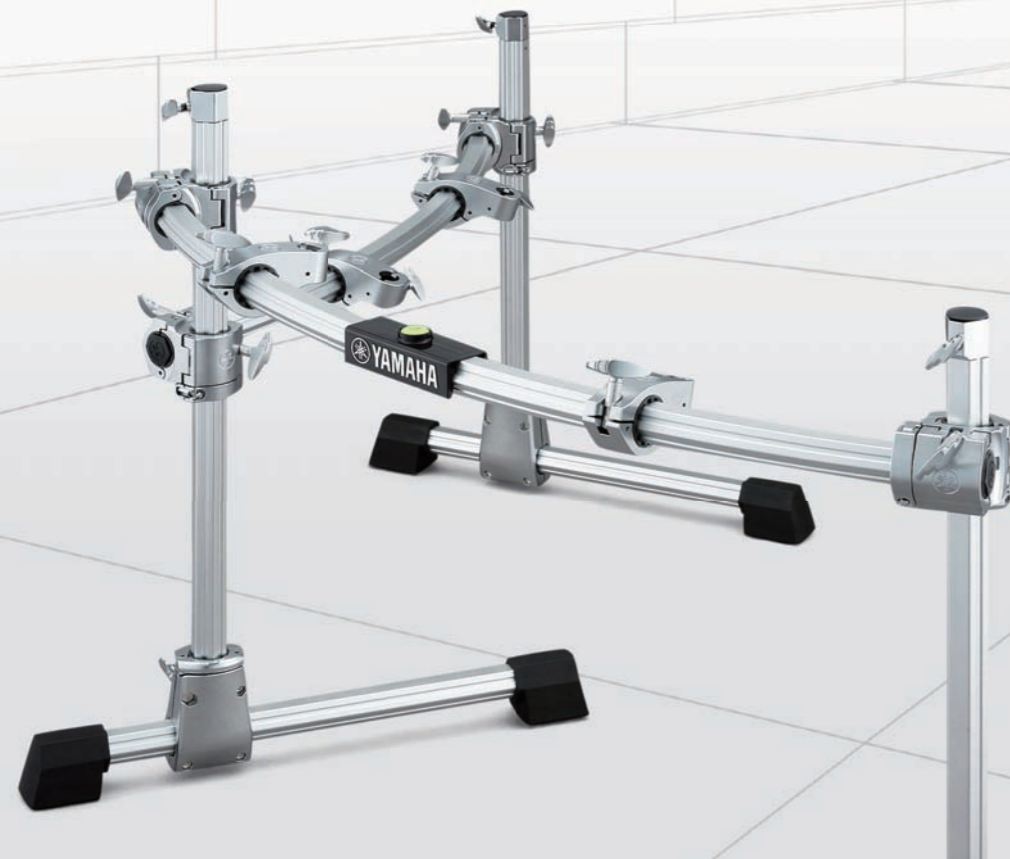
HEXRACK II

Turn On Your Imagination



The Evolution of the HEXRACK

From Generation I to Generation II

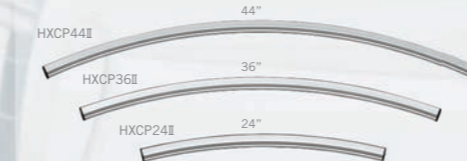


The original HEXRACK system amazed drummers around the globe with its innovative design and amazing flexibility. To take it to the next level, we listened closely to user feedback, consulted with our Yamaha artists, and went back to a clean slate to build and all new system... one that delivers flexibility and strength even greater than before. The design of the all-new HEXRACKII starts with a new aluminum alloy that delivers strength far beyond what the original system offered while being amazingly light in

weight. A refined clamp system features a new design that provides drummers with infinite possibilities and flexibility. The HEXRACKII also offers compatibility with the original HEXRACK system, so owners of the original can use what they have with the new system. The all-new HEXRACKII... changing the way drummers think about kit setup. It will have your imagination running wild.



RACK PARTS



Curved Pipe



T-leg

DRUM RACK ACCESSORY

CLAMPS	HEX PIPES	ATTACHMENTS
HXOCII	HXCP44II	HXLCII
HXBCII	HXCP36II	
HXACII	HXCP24II	
HXDBII	T-leg	
HXTCII	HXTL30II	
HXCCII	HXTL23II	



HXACII



HXTCII



HXDBII



HXOCII



HXCCII



HXLCII



The size of your drum kit without the HexRackII
The size of your drum kit with the HexRackII



The size of your drum kit without the HexRackII
The size of your drum kit with the HexRackII

Turning Your Imagination Into Form

Expand With Accessories or What You Already Have

If you want to expand your HEXRACKII system, Yamaha offers a wide selection of individual add on parts that let you customize your system exactly the way you want to. The HEXRACKII is also compatible with 22.2-diameter hardware as well as the original HEXRACK system parts so you can add on to your new system with anything you might already have.



Newly Designed Aluminum Pipe... Stronger, Lighter in Weight

The HEXRACKII utilizes a complex cross section design evolved from the original HEXRACK. The pipes are made from an aluminum alloy. This combination of design and material produces pipes that are significantly lighter in weight while providing greatly improved strength—as much as double that of conventional round pipe.



Solid grip



Synthetic Sleeve

Get A Grip

HEXRACKII clamps get a rock solid grip on the rails with a synthetic sleeve that fits between the clamp and the rail. As the clamp tightens, it compresses the sleeve to establish a solid grip. This gives the clamp a secure, slip-free hold on the rail when tightened, and allows easy adjustment when loosened, making the whole setup process quick, easy, flexible, and solid.



COMPATIBILITY

HEXRACK II



HEXRACK

Great Strength Without The Weight

For as solid as the new HEXRACKII system is, it is amazingly light. Using a special aluminum alloy, the HEXRACKII design team created a six-sided, slotted rail that offers an optimum balance of light weight and strength. These rails are unmatched for rigidity and weight, and resist warping and compression.



Basic 2-leg set HYR2LI