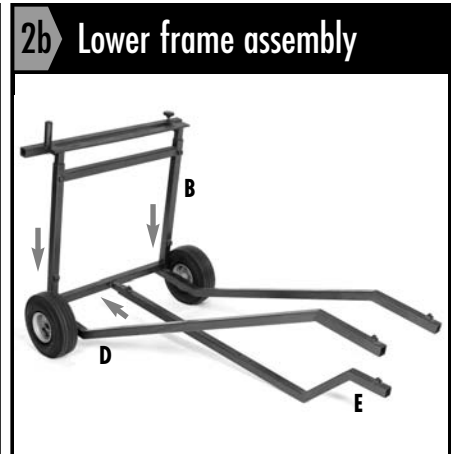
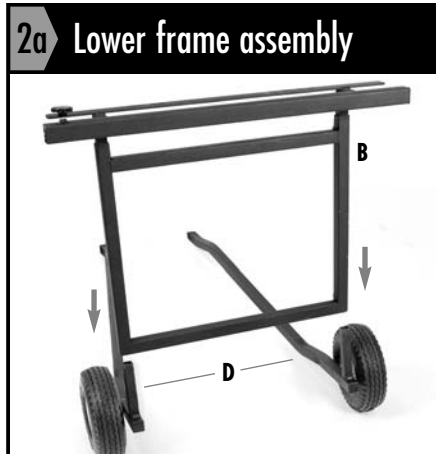
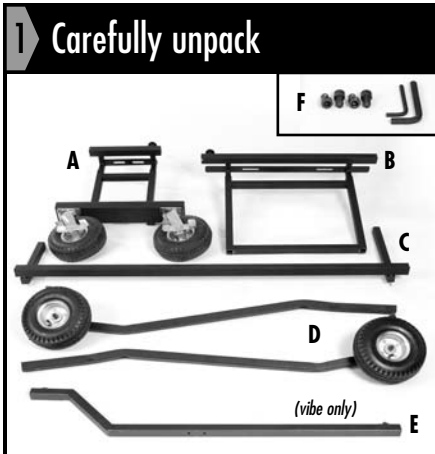


YAMAHA TOUGH-TERRAIN™ FRAME

ASSEMBLY INSTRUCTIONS FOR T-335, T-2700, T-2400

Tools You Will Need:

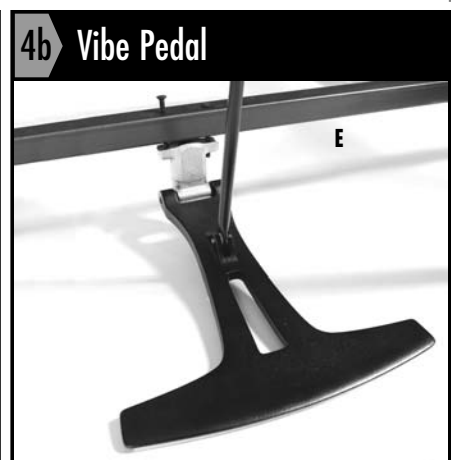
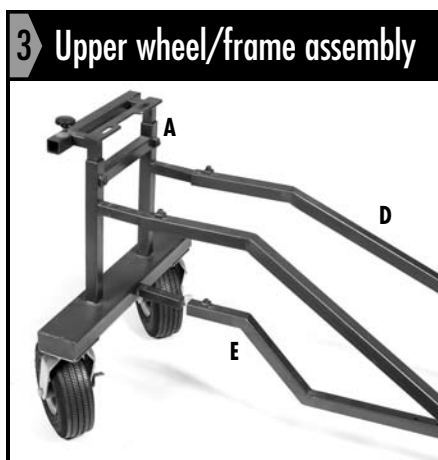
- Phillips (+) screwdriver
- Pliers
- Hex/allen wrench (included)
- 5/32" Hex/allen wrench (included)



- Unpack the box and make sure you have all of the parts
Do not throw away the box until you have completed the assembly of the frame and the instrument.
- Attach the lower frame assembly
 - Slide part B on to the vertical posts of part D (wheel assembly)
 - Tighten the allen bolts on part B to secure the low end frame assembly to the vibe wheel assembly.

Vibraphone Only

- Slide part E on to the post of part D – tighten allen bolt on part E



- Attach the upper wheel/frame assembly
 - Part A to the ends of the wheel assembly
 - Part D, secure the allen bolts at the bottom of part A.
 - Include part E for vibraphone frame.
- Remove pedal assembly from round tube
- Attach vibe pedal assembly to square lower crossbar of Tough Terrain Frame





- Attach the Accessory bar
 - Slide part C to the front of the upper and lower frame assembly. (parts A and B)



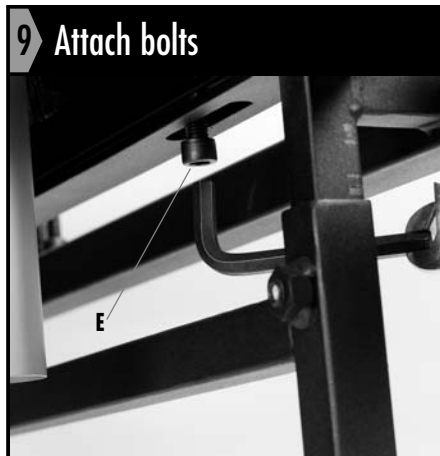
- Attach the Knob (part F) to secure the accessory bar to the frame. Ensure the longer end is inserted in to the lower end the shorter end is inserted into the higher end of the frame.



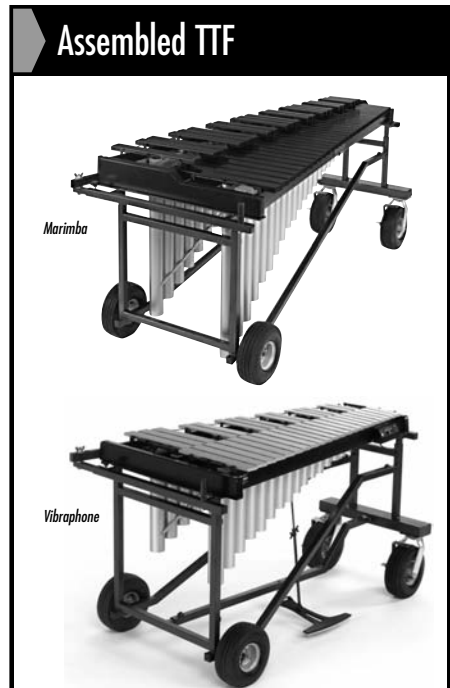
- Pull height adjustment tubes out of lower frame assembly.
- Unscrew tube from bottom of wood frame.
- Mount wood frame end piece on TTF and use screws (step 9) to loosely secure the wood end frame.



- Attach the upper and lower wood end pieces and wood rails to the top of the metal frame assembly. **MAKE SURE THE WOOD FRAME OF THE INSTRUMENT IS CENTERED ON THE METAL FRAME TO PREVENT INSTRUMENT DAMAGE.**
 - Add resonators after moving wood frame to Tough Terrain Frame
 - For Marimba – attach wood end pieces first, then attach horizontal rails



- Attach the provided allen bolts in to the bottom of the wood frame assembly, securing the wood end pieces to the top of the metal frame. The bolts should be inserted with care and not fully tightened until all 4 bolts are finger tight. **FOR SAFETY CHECK BOLTS FREQUENTLY TO MAKE SURE THEY ARE SECURE.**



Finished assembly can now be adjusted for height and accessories can be added to the accessory bar.

Connect with Yamaha

facebook

Search for Yamaha Percussion Instruments, Yamaha Wind Instruments and Yamaha Drums on www.facebook.com

twitter

Search for @yamahawinds, @yamahaperc, @yamahadrums and @theyamahahub on www.twitter.com

the hub

The new online multimedia experience from Yamaha that includes exclusive performances, clinics, tutorials and backstage artist interviews. www.yamaha.com/signaturesounds

For more information, check out the "Tips From the Pros" at www.YamahaPercussion.com If you need further assistance, e-mail us at PercussionQuestions@yamaha.com

©2010 Yamaha Corporation of America. Yamaha is a registered trademark of Yamaha Corporation. All rights reserved. www.yamaha.com/band

