



User Guide



USB CONTROLLER

CC1

Contents

Introduction	4
Advantages of this product	4
Software	5
About the Control Center	5
Manuals for this product	6
Notices	7
Accessories	8
Component names and functions	9
Rear panel	9
Top panel	10
Getting ready	12
Attaching the stand (if necessary)	12
Connecting to your computer	15
Installing TOOLS for CC1	16
Checking whether the unit is ready to use	17
Configuring the settings on this unit	19
Configuring the settings	19
Frequently asked questions	20
Check this first when you encounter troubles	20
Troubleshooting (power)	21
The unit does not turn on	21
Troubleshooting (settings on this unit)	22
Foot pedal/foot switch does not work as expected	22
Motorized fader does not operate as expected	23
The LEDs and LCDs are too dark or too bright	24
Turning off auto-launch of Explorer (Windows only)	25

Attaching a commercially available holder to this product 26

Specifications 27

General specifications 27

Appendix 28

Software License and Copyrights 28

Introduction

Advantages of this product

■ USB controller

The CC1 is a USB controller that uses the Control Center dedicated software, which lets you customize the keys and knobs of the hardware.

The 12 LCD keys on the top of this unit show the functions and status for each of the keys. This makes your workflow more efficient, since you can operate the unit while checking this information.

■ LCD keys (supports Stream Deck)

The LCD keys on the CC1 support the use of Stream Deck, an Elgato control application. By installing Stream Deck and using the plug-ins provided on the Marketplace, you will be able to operate considerably more applications. You can also control OBS livestreaming software, as well as control Yamaha hardware that is connected to the same computer and supports the use of Stream Deck.

■ Motorized fader

The CC1 features a motorized fader that has a touch sensor and a 100 mm stroke length. The motorized fader is also found on Yamaha's professional-grade digital mixers, and features a high degree of reliability and durability, superior sensitivity and a comfortable stroke feel, all while fitting in a thin body with a compact size.

When used together with compatible DAW software such as Cubase, the motorized fader moves up and down in response to increases or decreases in the parameter values on the DAW. This gives you smooth, intuitive control over the audio.

Software

About the Control Center

Control Center is dedicated software for controlling Yamaha products. This software lets you manage the functions that are assigned to the keys, buttons and knobs of each product. With this, each user can create their own operating environment that's most comfortable for their needs.

Manuals for this product

The manuals that cover this product are listed below.

Printed manuals

- **CC1 Safety Guide** (included)

Contains the information necessary to use this product safely. Make sure to read this information before use.

- **CC1 Start Guide** (included)

Explains what you first need to do to get the product ready for use after purchase.

Online manuals

- **CC1 Setup Guide**

Explains the steps you must take to get this product ready for use, and explains about the bundled software. You can access this guide by opening the “Getting Started” file on the USB drive (this unit), or by accessing the link shown below.

https://manual.yamaha.com/audio/streaming_gaming/cc1/sp/

- **CC1 User Guide (this guide)**

Explains the names and functions of the parts of the CC1, and describes how to get ready to use this product, the settings you can make, the specifications and so forth.

- **Control Center User Guide**

Explains the basic operations of the Control Center, how the screens are set up and so forth.

https://manual.yamaha.com/audio/apps_software/control_center/

Keep the included manuals in a place where you can refer to them at any time. You can download the various manuals from the Yamaha website. Make use of these manuals as necessary.

<https://download.yamaha.com/>

Notices

■ About this guide

- The precautions and other matters in this guide are classified as follows.



WARNING

This content indicates “risk of serious injury or death.”



CAUTION

This content indicates “risk of injury.”

• **NOTICE**

Indicates points that you must observe in order to prevent product failure, damage or malfunction and data loss, as well as to protect the environment.

• **NOTE**

Indicates notes on instructions, restrictions on functions, and additional information that may be helpful.

- The illustrations and screens as shown in this guide are for instructional purposes only.
- USB Type-C™ and USB-C™ are trademarks of USB Implementers Forum.
- Windows is a registered trademark of Microsoft Corporation in the United States and other countries.
- Mac and macOS are trademarks of Apple Inc. registered in the United States and other countries.
- Elgato and Stream Deck are registered trademarks of Corsair Memory, Inc. (USA) in the United States and other countries.
- The company names and product names in this guide are the trademarks or registered trademarks of their respective companies.

■ About copyrights

- Copying of the software or reproduction of this guide in whole or in part by any means is expressly forbidden without the written consent of the manufacturer.

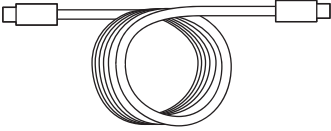
■ Protection of copyright

- Do not use this product for any purpose that may infringe upon the rights of any third party including copyrights, as established by law in each country or region.
- Yamaha bears no responsibility for any infringement upon third party rights that may occur as a result of using this product.

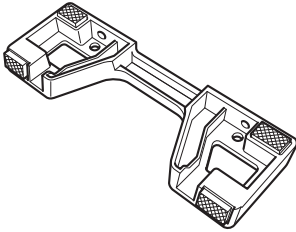
Accessories

The following items are included with this product. Check whether all of these items have been properly packaged with the product.

- USB 2.0 cable (USB Type-C™ - USB Type-C™) 1.5 m × 1



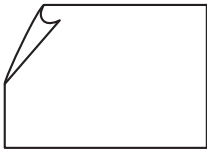
- Stand × 1



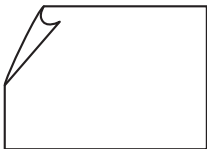
- CC1 Safety Guide × 1



- CC1 Start Guide × 1



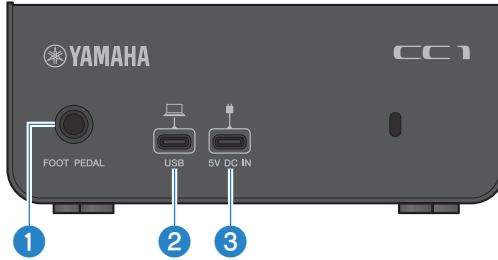
- Cubase AI License Card × 1



Component names and functions

Rear panel

Below is a description of the names and functions of the components on the back of this unit.



1 [FOOT PEDAL] connector

This lets you use a foot pedal to control an assigned parameter. Connect a foot pedal (Yamaha FC7 or FC5, sold separately) here.

NOTICE

- Make sure to plug in or unplug the pedal while the application or the hardware controlled by the CC1 is not in operation.

2 [USB] port

Connect your computer here.

Points of caution when using the [USB] port

When connecting the computer to the [USB] port, make sure to observe the following points. Failing to do so risks freezing the computer and corrupting or losing the data.

- Use the supplied USB cable only.
- After you unplug the USB cable, make sure to wait for at least six seconds before plugging the cable in again.

3 [5V DC IN] port

Connect a commercially available USB power adapter, USB mobile battery or the like here. Use this when you cannot supply enough power from the computer to which this unit is connected.

NOTE

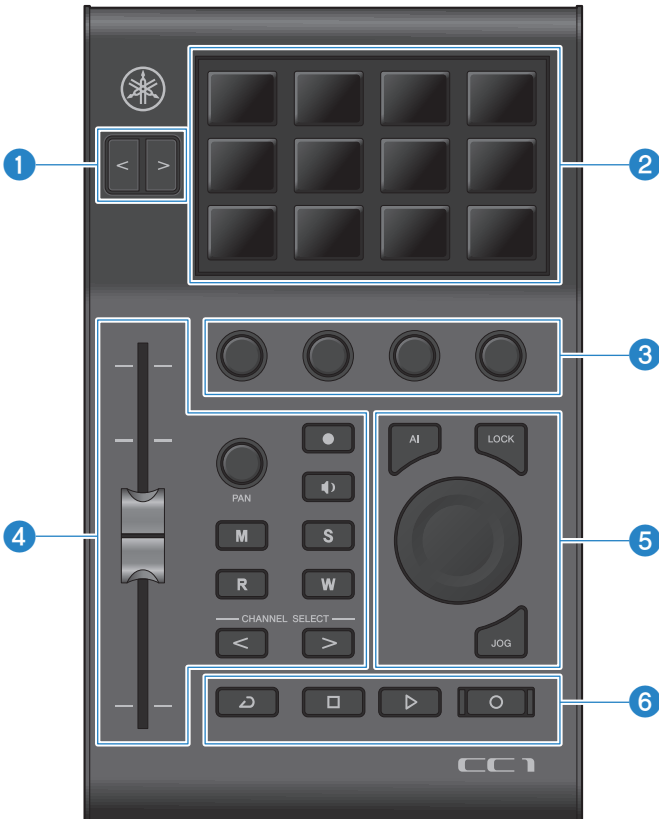
- You can check whether the computer is supplying enough power by looking at the Device List screen in Control Center.

NOTICE

- Use a USB power adapter or USB mobile battery that can deliver 5V DC/1.5A or higher.

Top panel

Below is a description of the names and functions of the components on the top of this unit.



1 Profile selection buttons

These buttons switch between profiles.

2 LCD Key section

These keys execute the functions that are shown on the LCD keys.

3 Multi Function Knob section

These knobs are for controlling assigned parameters.

4 Channel section

Use this section to perform various operations (such as fader control, toggling solo/mute, panning and so on) on the channel selected in your DAW. Use the Control Center to turn the fader motor operations on/off and adjust the touch sensitivity.

5 AI KNOB section

Use the knob to operate selected parameters at the mouse pointer position and the current position in the project.

6 Transport section

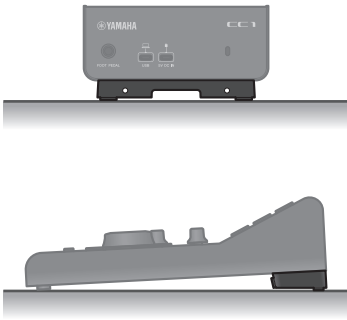
Executes the DAW transport operations (cycle on/off switch, stop, play, record).

Getting ready

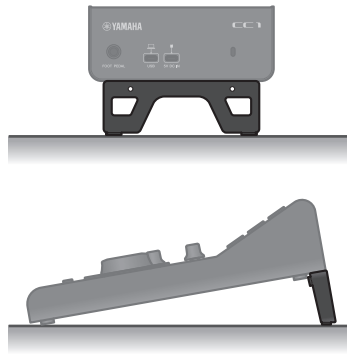
Attaching the stand (if necessary)

You can attach the included stand if you want to adjust the height of this product. The height can be adjusted to one of two settings, depending on how you attach the stand.

Low position



High position



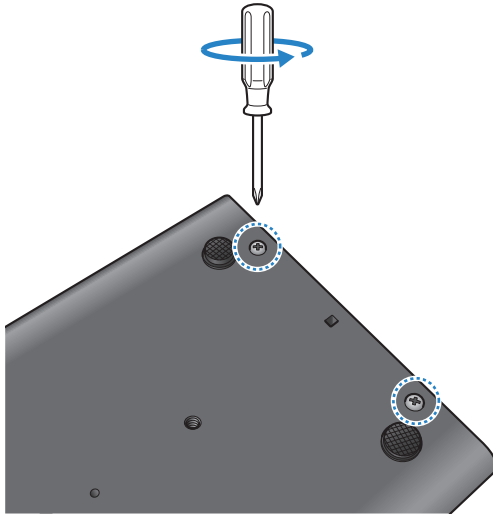
■ How to attach the stand

NOTICE

- Before attaching or removing the stand, unplug all of the cables that are connected to this product.
- Do not use any screws other than the ones provided. Using other screws may cause damage.
- Be sure to firmly tighten the screws. Also, if you will be using the stand for a long time, check to make sure that the screws have not loosened. Using the stand while the screws are loose may cause damage to this product or to the stand.
- Lay out a soft cloth or other material underneath the stand before attaching or removing the stand. If you don't do this, the product may get scratched or the controls may get damaged.

1 Remove the screws on the bottom of the unit

Use a Phillips screwdriver to remove the two screws that are on the rear side of the bottom of the unit. These screws will be necessary in step 2.

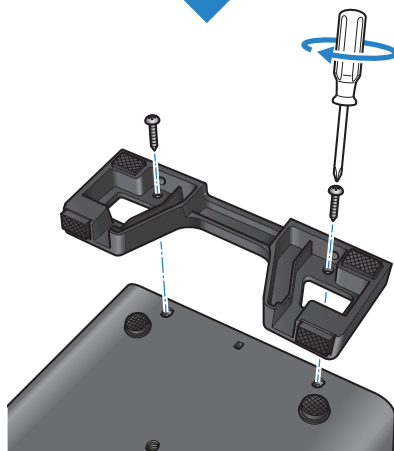


Getting ready > Attaching the stand (if necessary)

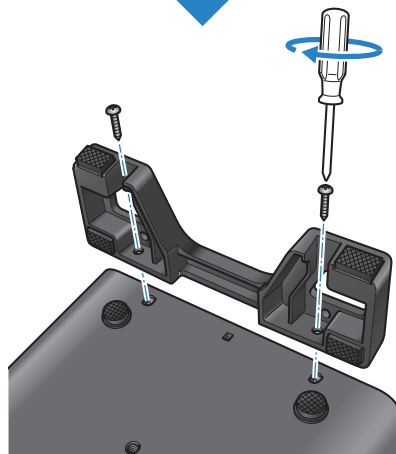
2 Attach the stand

Use the two screws that you removed in step 1 to attach the stand onto this unit.

When attaching in the low position



When attaching in the high position



This completes the attachment of the stand.

NOTE

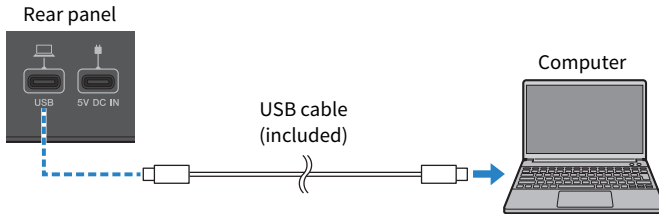
You can use the holes on the bottom of this product to attach a commercially available holder. Refer to the related links below for details.

Related links

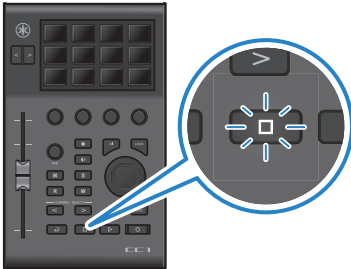
"Attaching a commercially available holder to this product" (p.26)

Connecting to your computer

1 Use the included USB cable to connect this product to your computer



When this product is connected to your computer, the [] button on the top of the unit lights up white.



NOTE

- This product is recognized as a USB drive when connected to a computer.
- The “Getting Started” file is included on the drive. When you open the file, the Setup Guide opens to show you how to quickly use this product. This guide explains the steps you must take to use this product with your computer, and explains about the bundled software.
- If you are using a Windows computer, Explorer may open automatically when you connect this product to your computer, depending on the settings of your computer. To make Explorer stop opening automatically, refer to the related links below for details.

Related links

“Turning off auto-launch of Explorer (Windows only)” (p.25)

Installing TOOLS for CC1

TOOLS for CC1 is a software package that's necessary for connecting and using this product with your computer. Follow the steps below to install TOOLS for CC1 on your computer.

1 Access the following website to download TOOLS for CC1

<https://www.yamaha.com/2/cc1/>

2 Decompress (extract) the downloaded file

3 Launch TOOLS for CC1 Installer

4 Follow the onscreen instructions to install the software

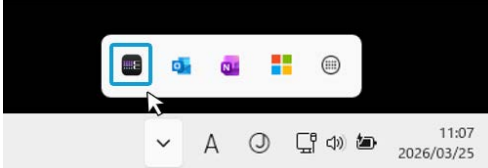
This completes the installation of TOOLS for CC1.

Checking whether the unit is ready to use

1 Access the Device List screen in Control Center

Follow the steps below to launch Control Center and display the Device List screen.

- Windows: Launch Control Center from the notification area on the taskbar



- Mac: Launch the Control Center from the Applications folder

2 Checking the display of the Device List screen

An indicator that shows the connection status between the CC1 and Control Center is shown on the Device List screen. Check whether the indicator is lit green and “power full” is shown.



If “power low” is shown below the indicator, this means that there is not enough power being supplied from the computer. Connect a commercially available USB power adapter or a USB mobile battery to the [5V DC IN] connector.

NOTICE

- Use a USB power adapter or USB mobile battery that can deliver 5 V DC/1.5 A or higher.

Now you’ve finished getting the CC1 ready to use with your computer.

Getting ready > Checking whether the unit is ready to use

If you have problems during setup

“Check this first when you encounter troubles” (p.20)

Configuring the settings on this unit

Configuring the settings

Use the Device Settings screen in Control Center to update the firmware and configure the various settings of this unit. Refer to the Control Center User Guide for details.

https://manual.yamaha.com/audio/apps_software/control_center/

Frequently asked questions

Check this first when you encounter troubles

If this product is not operating correctly, you should first check the following points.

● **Are your computer and USB power adapter or USB mobile battery connected to the correct ports?**

- Connect your computer to the [USB] port.
- Connect your USB power adapter or USB mobile battery to the [5V DC IN] port.

● **Is enough power being supplied?**

If “power low” is shown on the connection status indicator that appears on the Device List screen in Control Center, this means that there is not enough power being supplied.

- If you are powering this product via USB bus power, make sure to use only the included USB cable.
- Connect a commercially available USB power adapter or a USB mobile battery to the [5V DC IN] connector. Use a USB power adapter or USB mobile battery that can deliver 5 V DC/1.5 A or higher.

● **Has the connection to the Control Center been severed?**

If only the [□] button on the top panel of this unit is lit white, this means that the power of this product is on, but the connection to Control Center has been severed.

- Either unplug and reconnect the USB cable, or relaunch Control Center.

Troubleshooting (power)

The unit does not turn on

- **The computer may be off**

If you are powering this product via USB bus power, you must turn on your computer.

Troubleshooting (settings on this unit)

Foot pedal/foot switch does not work as expected

- **Are you using a non-Yamaha foot pedal/foot switch?**
Use a Yamaha FC7/FC5 foot pedal and foot switch, sold separately.
- **The Volume/Switch mode settings for the foot pedal may be incorrect.**
Use Control Center to change the foot pedal settings.

Motorized fader does not operate as expected

● **The fader motor may be disabled**

If you wish to use the motorized fader, you must enable the motorized fader in Control Center.

● **Motorized fader operations are inaccurate**

Use Control Center to perform fader calibration.

NOTICE

- Do not touch the fader while calibration is in progress.

● **Fader touch operations are not sensitive enough or are too sensitive**

Use Control Center to adjust the touch sensitivity.

The LEDs and LCDs are too dark or too bright

- **The LED and LCD brightness may be set too low or too high**

Use Control Center to set the LED and LCD brightness.

Turning off auto-launch of Explorer (Windows only)

If you are using a Windows computer, Explorer may open automatically when you connect this product to your computer, depending on the settings of your computer.

To make Explorer stop opening automatically, disable the auto-play feature for removable drives in the Windows settings.

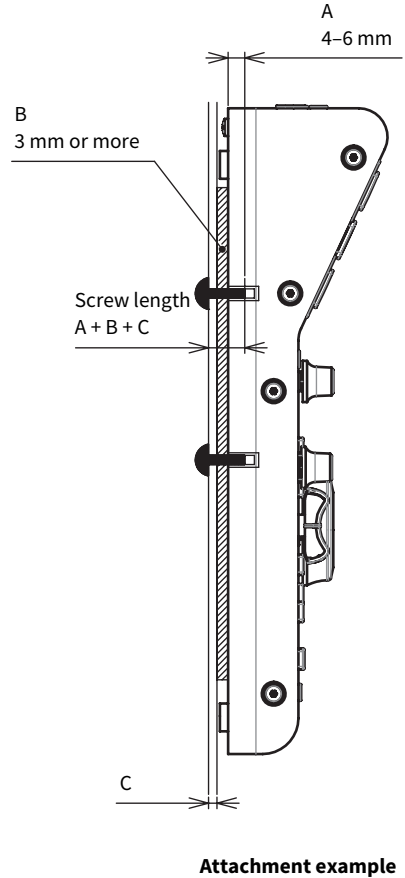
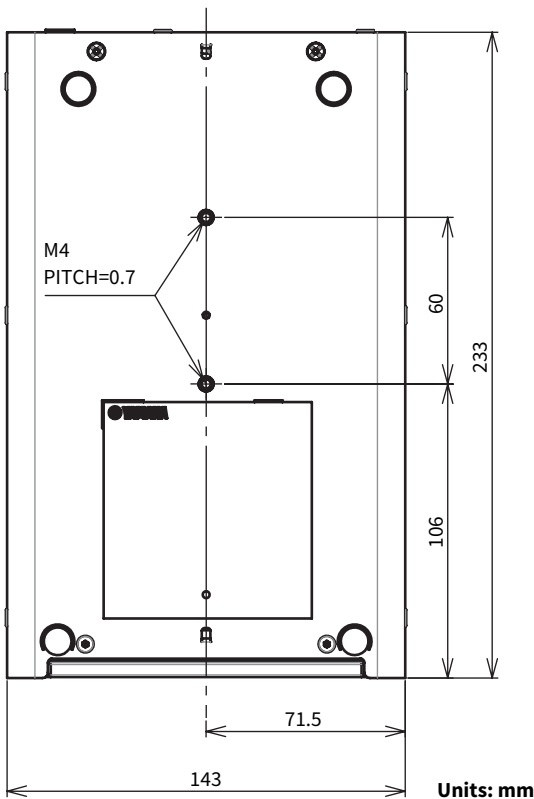
Attaching a commercially available holder to this product

You can use the holes on the bottom of this product to attach a commercially available holder, such as a panel or a stand. Check the following information listed below when doing so.

NOTICE

- Be sure to firmly tighten the screws, so that they don't come loose.

Bottom of the unit



A	Depth of screw insertion into this unit: 4-6 mm
B	Thickness of spacer to avoid the rubber feet and protruding screws: 3 mm or more
C	Thickness of holder to attach

Specifications

General specifications

Connectors

• [USB] port	USB Type-C
• [5V DC IN] port	USB Type-C
• [FOOT PEDAL] connector	TRS phone

General

• Power requirements	5 V/1.5 A
• Power consumption	7.5 W
• Dimensions (without stand)	144 mm × 61 mm × 234 mm (width × height × depth)
• Weight	1.1 kg
• Operating temperature range	0–40°C
• Storage temperature range	–20–60°C

Accessories

• USB 2.0 Type-C to Type-C cable (1.5 m)	1
• Stand	1
• CC1 Safety Guide	1
• CC1 Start Guide	1
• Cubase AI License Card	1

* The contents of this guide apply to the latest specifications as of the publication date. The latest manuals can be downloaded from the Yamaha website.

Appendix

Software License and Copyrights

The MIT License (MIT)

Permission is hereby granted, free of charge, to any person obtaining a copy of this software and associated documentation files (the "Software"), to deal in the Software without restriction, including without limitation the rights to use, copy, modify, merge, publish, distribute, sublicense, and/or sell copies of the Software, and to permit persons to whom the Software is furnished to do so, subject to the following conditions:

The above copyright notice and this permission notice shall be included in all copies or substantial portions of the Software.

THE SOFTWARE IS PROVIDED "AS IS", WITHOUT WARRANTY OF ANY KIND, EXPRESS OR IMPLIED, INCLUDING BUT NOT LIMITED TO THE WARRANTIES OF MERCHANTABILITY, FITNESS FOR A PARTICULAR PURPOSE AND NONINFRINGEMENT. IN NO EVENT SHALL THE AUTHORS OR COPYRIGHT HOLDERS BE LIABLE FOR ANY CLAIM, DAMAGES OR OTHER LIABILITY, WHETHER IN AN ACTION OF CONTRACT, TORT OR OTHERWISE, ARISING FROM, OUT OF OR IN CONNECTION WITH THE SOFTWARE OR THE USE OR OTHER DEALINGS IN THE SOFTWARE.

FreeRTOS Kernel V10.5.0

Copyright (C) 2021 Amazon.com, Inc. or its affiliates. All Rights Reserved.

<https://www.FreeRTOS.org>

<https://github.com/FreeRTOS>

Yamaha Global Site
<https://www.yamaha.com/>

Yamaha Downloads
<https://download.yamaha.com/>

© 2025 Yamaha Corporation

Published 04/2026 AM-B0