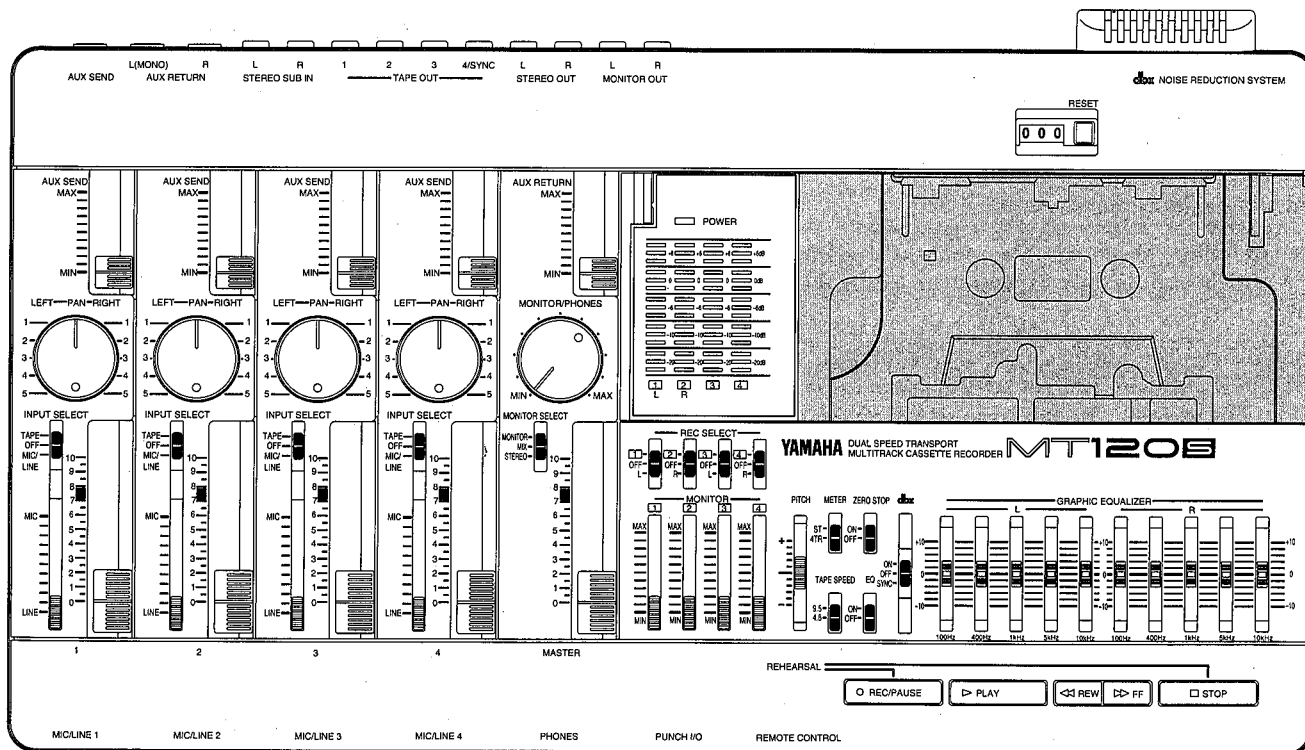


YAMAHA

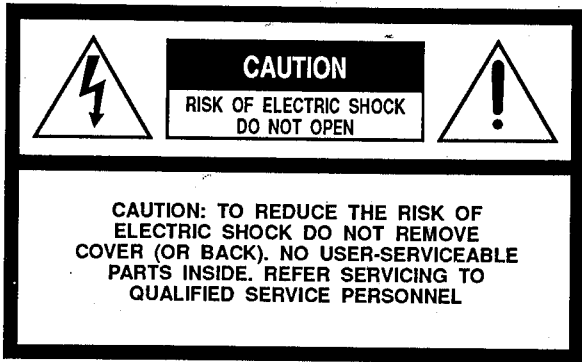
MULTITRACK CASSETTE RECORDER ENREGISTREUR DE CASSETTES MULTIPISTE MEHRSPUR-KASSETTENDECK

MT120S

OPERATION MANUAL MANUEL D'INSTRUCTIONS BEDIENUNGSANLEITUNG



● Explanation of Graphical Symbols



The exclamation point within an equilateral triangle is intended to alert the user to the presence of important operating and maintenance (servicing) instructions in the literature accompanying the product.



The lightning flash with arrowhead symbol within an equilateral triangle is intended to alert the user of the presence of uninsulated "dangerous voltage" within the product's enclosure that may be of sufficient magnitude to constitute a risk of electric shock to persons.

SAFETY INSTRUCTIONS (PREPARED IN ACCORDANCE WITH UL STANDARD 1270)

1. Read Instructions—All the safety and operating instructions should be read before the appliance is operated.
2. Retain Instructions—The safety and operating instructions should be retained for future reference.
3. Heed Warnings—All warnings on the appliance and in the operating instructions should be adhered to.
4. Follow Instructions—All operating and use instructions should be followed.
5. Water and Moisture—The appliance should not be used near water—for example, near a bathtub, or near a swimming pool, and the like.
6. Carts and Stands—The appliance should be used only with a cart or stand that is recommended by the manufacturer.
- 6A. An appliance and cart combination should be moved with care. Quick stops, excessive force, and uneven surfaces may cause the appliance and cart combination to overturn.
7. Wall or Ceiling Mounting—The appliance should be mounted to a wall or ceiling only as recommended by the manufacturer.
8. Ventilation—The appliance should be situated so that its location or position does not interfere with its proper ventilation. For example, the appliance should not be situated on a bed, sofa, rug, or similar surface that may block the ventilation openings; or placed in a built-in installation, such as a bookcase or cabinet that may impede the flow of air through the ventilation openings.
9. Heat—The appliance should be situated away from heat sources such as radiators, heat registers, stoves, or other appliances (including amplifiers) that produce heat.
10. Power Sources—The appliance should be connected to a power supply only of the type described in the operating instructions or as marked on the appliance.
11. Grounding or Polarization—The precautions that should be taken so that the grounding or polarization means of an appliance is not defeated.
12. Power-Cord Protection—Power-supply cords should be routed so that they are not likely to be walked on or pinched by items placed upon or against them, paying particular attention to cords at plugs, convenience receptacles, and the point where they exit from the appliance.
13. Cleaning—The appliance should be cleaned only as recommended by the manufacturer.
14. Nonuse Periods—The power cord of the appliance should be unplugged from the outlet when left unused for a long period of time.
15. Object and Liquid Entry—Care should be taken so that objects do not fall and liquids are not spilled into the enclosure through openings.
16. Damage Requiring Service—The appliance should be serviced by qualified service personnel when:
 - A. The power-supply cord or the plug has been damaged; or
 - B. Objects have fallen, or liquid has been spilled into the appliance; or
 - C. The appliance has been exposed to rain; or
 - D. The appliance does not appear to operate normally or exhibits a marked change in performance; or
 - E. The appliance has been dropped, or the enclosure damaged.
17. Servicing—The user should not attempt service the appliance beyond that described in the operating instructions.



FCC INFORMATION (U.S.A.)

1. IMPORTANT NOTICE: DO NOT MODIFY THIS UNIT!

This product, when installed as indicated in the instructions contained in this manual, meets FCC requirements. Modifications not expressly approved by Yamaha may void your authority, granted by the FCC, to use the product.

2. IMPORTANT: When connecting this product to accessories and/or another product use only high quality shielded cables. Cable/s supplied with this product **MUST** be used. Follow all installation instructions. Failure to follow instructions could void your FCC authorization to use this product in the USA.

3. NOTE: This product has been tested and found to comply with the requirements listed in FCC Regulations, Part 15 for Class "B" digital devices. Compliance with these requirements provides a reasonable level of assurance that your use of this product in a residential environment will not result in harmful interference with other electronic devices. This equipment generates/uses radio frequencies and, if not installed and used according to the instructions found in the users manual, may cause interference harmful to the operation of other electronic devices. Compliance with FCC regulations does not guarantee that interference will not occur in all installations. If this product is found to be the source of interference, which can be determined by turning the unit "OFF" and "ON", please try to eliminate the problem by using one of the following measures:

Relocate either this product or the device that is being affected by the interference.

Utilize power outlets that are on different branch (circuit breaker or fuse) circuits or install AC line filter/s.

In the case of radio or TV interference, relocate/reorient the antenna. If the antenna lead-in is 300 ohm ribbon lead, change the lead-in to co-axial type cable.

If these corrective measures do not produce satisfactory results, please contact the local retailer authorized to distribute this type of product. If you can not locate the appropriate, please contact Yamaha Corporation of America, Electronic Service Division, 6600 Orangethorpe Ave, Buena Park, CA 90620

* This applies only to products distributed by YAMAHA CORPORATION OF AMERICA.

CANADA

THIS DIGITAL APPARATUS DOES NOT EXCEED THE "CLASS B" LIMITS FOR RADIO NOISE EMISSIONS FROM DIGITAL APPARATUS SET OUT IN THE RADIO INTERFERENCE REGULATION OF THE CANADIAN DEPARTMENT OF COMMUNICATIONS.

LE PRESENT APPAREIL NUMERIQUE N'EMET PAS DE BRUITS RADIOELECTRIQUES DEPASSANT LES LIMITES APPLICABLES AUX APPAREILS NUMERIQUES DE LA "CLASSE B" PRESCRITES DANS LE REGLEMENT SUR LE BROUILLAGE RADIOELECTRIQUE EDICTE PAR LE MINISTERE DES COMMUNICATIONS DU CANADA.

* This applies only to products distributed by YAMAHA CANADA MUSIC LTD.

Dette apparat overholder det gældende EF-direktiv vedrørende radiostøj.

Cet appareil est conforme aux prescriptions de la directive communautaire 87/308/CEE.

Diese Geräte entsprechen der EG-Richtlinie 82/499/EWG und/oder 87/308/EWG.

This product complies with the radio frequency interference requirements of the Council Directive 82/499/EEC and/or 87/308/EEC.

Questo apparecchio è conforme al D.M. 13 aprile 1989 (Direttiva CEE/87/308) sulla soppressione dei radiodisturbi.

Este producto está de acuerdo con los requisitos sobre interferencias de radio frecuencia fijados por el Consejo Directivo 87/308/CEE.

YAMAHA CORPORATION

IMPORTANT NOTICE FOR THE UNITED KINGDOM

Connecting the Plug and Cord

IMPORTANT. The wires in this mains lead are coloured in accordance with the following code:

BLUE : NEUTRAL
BROWN : LIVE

As the colours of the wires in the mains lead of this apparatus may not correspond with the coloured markings identifying the terminals in your plug proceed as follows:

The wire which is coloured **BLUE** must be connected to the terminal which is marked with the letter **N** or coloured **BLACK**.

The wire which is coloured **BROWN** must be connected to the terminal which is marked with the letter **L** or coloured **RED**.

Making sure that neither core is connected to the earth terminal of the three pin plug.

* This applies only to products distributed by YAMAHA - KEMBLE MUSIC (U.K.) LTD.

CONGRATULATIONS!

Your MT120S Multitrack Cassette Recorder is a powerful recording tool that will enable you to work with sound in many ways. No other multitrack cassette recorder offers the straightforward simplicity and ease-of-use of the MT120S. Whether you need to record acoustic instruments or voice using microphones, electronic instruments and line-level sources, or a creative blend of the two, the MT120S makes the process of building tracks extraordinarily smooth and simple. You can simply record and remix four tracks, or use the multitrack "ping-pong" recording technique to individually record up to ten independent parts — adding sound layer by layer until you create exactly the arrangement and texture your imagination demands. With its ability to record on all four tracks at once, or in any combination, MT120S is the ideal choice for recording bands or layering tracks at home. And, because it's a YAMAHA, you know that the MT120S will give you the very finest sound quality and overall performance available.

In order to make use of the MT120S's many features and obtain maximum performance, we urge you to read this operation manual thoroughly — and keep it in a safe place for later reference.

CONTENTS

PRECAUTIONS	3
THE CONTROLS AND CONNECTORS	4
MT120S CONTROLS AND THEIR FUNCTIONS	5
CONNECTION EXAMPLES	10
ABOUT CASSETTE TAPES	11
THE RECORDING PROCESS	12
RECORDING THE FIRST TRACK	13
STEP 1: CHANNEL-TO-TRACK ASSIGNMENT	13
STEP 2: MONITOR SETUP	14
STEP 3: SETTING RECORDING LEVELS	15
STEP 4: RECORD	15
OVERDUBBING	16
PING-PONG RECORDING	17
A PING-PONG RECORDING EXAMPLE	18
MIXDOWN	19
USING THE GRAPHIC EQUALIZER	20
USING THE TAPE OUT JACKS	21
USING THE AUX SEND/RETURN LOOP	22
PUNCH-IN/OUT RECORDING	23
MAINTENANCE	24
SPECIFICATIONS	25
BLOCK DIAGRAM	79

PRECAUTIONS

1. AVOID EXCESSIVE HEAT, HUMIDITY, DUST AND VIBRATION

Keep the unit away from locations where it is likely to be exposed to high temperatures or humidity — such as near radiators, stoves, etc. Also avoid locations which are subject to excessive dust accumulation or vibration which could cause mechanical damage.

2. AVOID PHYSICAL SHOCKS

Strong physical shocks to the unit can cause damage. Handle it with care.

3. DO NOT OPEN THE CASE OR ATTEMPT REPAIRS OR MODIFICATION YOURSELF

This product contains no user-serviceable parts. For other than routine cleaning, refer maintenance to qualified YAMAHA personnel. Opening the case and/or tampering with the internal circuitry will void the warranty.

4. MAKE SURE POWER IS OFF BEFORE MAKING OR REMOVING CONNECTIONS

Always turn the power OFF prior to connecting or disconnecting cables. This is important to prevent damage to the unit itself as well as other connected equipment.

5. HANDLE CABLES CAREFULLY

Always plug and unplug cables — including the AC cord — by gripping the connector, not the cord.

6. CLEAN WITH A SOFT DRY CLOTH

Never use solvents such as benzine or thinner to clean the unit. Wipe clean with a soft, dry cloth.

7. ALWAYS USE THE CORRECT POWER SUPPLY

The MT120S is sold with the appropriate power specifications for the local area (power supply voltage and power consumption are listed on the bottom panel). If you move to a different area that might have a different AC mains voltage, however, be sure to check with your nearest YAMAHA dealer before using your MT120S.

8. KEEP THE HEADS AND TAPE PATH CLEAN

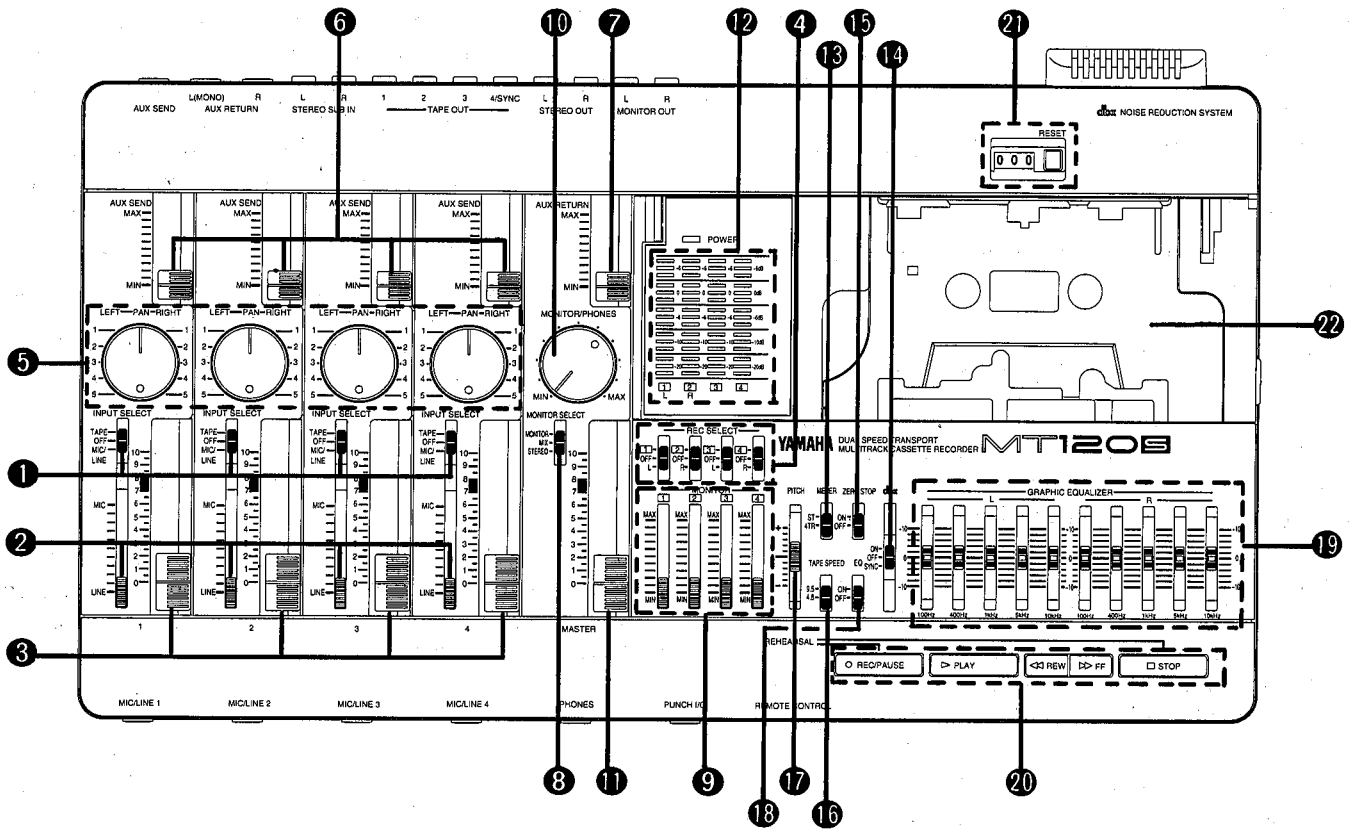
To ensure consistent high performance and sound quality from your MT120S, it is important to clean the head and tape path regularly (ideally before each recording session). To do this, use a cleaning kit specifically designed for use with cassette tape equipment.

9. USE ONLY HIGH-QUALITY CHROME CASSETTE TAPE

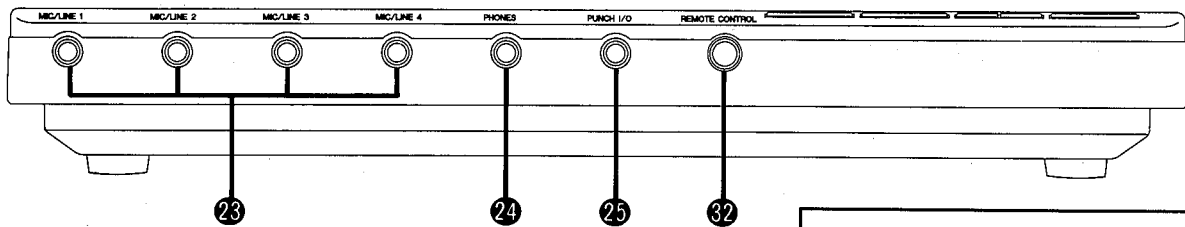
The MT120S is designed for use with CrO₂ (chrome) formulation tape, and will not provide proper performance with any other type of tape. Always choose cassette tapes from a reliable manufacturer.

THE CONTROLS AND CONNECTORS

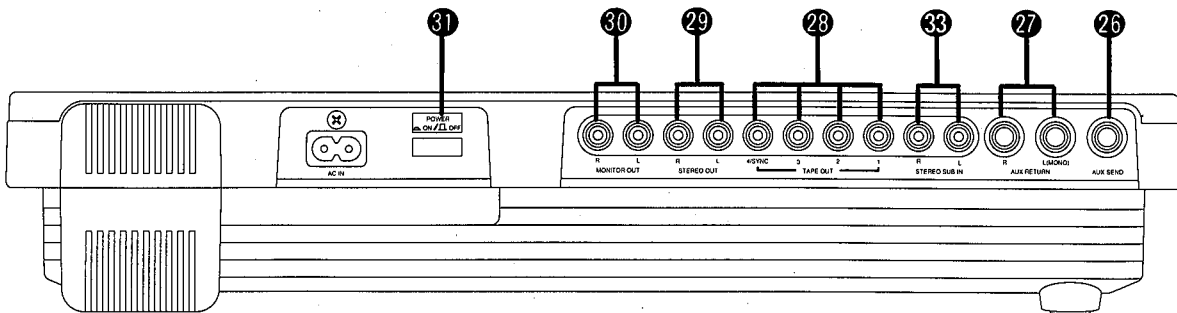
CONTROL PANEL



FRONT PANEL



REAR PANEL



CAUTION: TO PREVENT ELECTRIC SHOCK, MATCH WIDE BLADE OF PLUG TO WIDE SLOT, FULLY INSERT.

MT120S CONTROLS AND THEIR FUNCTIONS

[Note] The terms “channel” and “track”: In this owner's manual, the term “channel” refers to the circuitry and controls required to process one input source. MT120S's mixer section has four “channels.” The term “track” refers to the magnetic bands on tape used to store signals recorded by MT120S's recorder section. Since MT120S records four separate bands of audio on tape, it is a four-“track” recorder.

1 INPUT SELECT Switches

The INPUT SELECT switches are used to select the input source for each of the four channels.

TAPE: Select this position to play back already recorded material. When selected, mixer channel 1 will receive playback from track 1; channels 2, 3, & 4 will receive tracks 2, 3, & 4 respectively.

OFF: In this position, the channel receives no input signal.

MIC/LINE: In this position, the channel can receive a microphone, keyboard, or other line-level signal which is connected to the input jack.

[Note] All channels which are not in use should be set to “OFF” position.

2 MIC/LINE Gain Controls

The gain controls adjust the sensitivity of the channel inputs to accept a wide range of signal levels — from line to microphone. The gain controls are used in conjunction for the input faders to set the optimum recording level with a wide range of sources (see “SETTING RECORDING LEVELS” on page 15).

[Note] A gain control only affects the level of the signal connected to the input jack.

3 Input Faders

The input faders are used to adjust the level (volume) of the corresponding mixer channel's signal, whether it comes from a source plugged into an input jack or from the MT120S's recorder section. (The INPUT SELECT switches are used to choose between the two.) The faders are used to set up the optimum levels when recording, and to balance (mix) the sound from the recorder's tracks when playing back a recording. Noise and distortion are at their lowest at input fader level “7”.

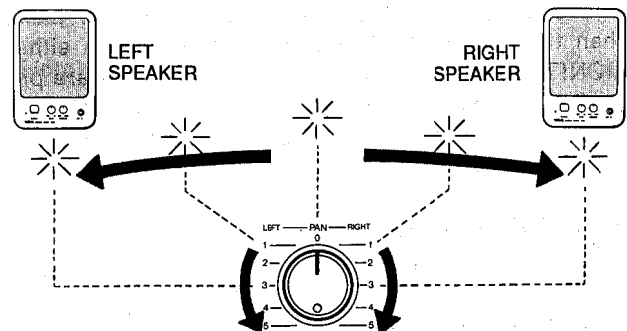
4 REC SELECT Switches

The REC SELECT switches are used when recording to assign (send) the signal from each mixer channel either directly to the corresponding track of the recorder or to a different track via the PAN controls (see “CHANNEL-TO-TRACK ASSIGNMENT” on page 13).

[Note] When any of the REC SELECT switches are set to a position other than OFF, the red indicator LED of the transport REC/PAUSE button will flash, indicating that the MT120S is set up to record. Recording will commence when the PLAY button is pressed after pressing the REC/PAUSE button. If all REC SELECT switches are set to OFF, the unit will not record even if the REC/PAUSE and PLAY buttons are pressed.

5 PAN Controls

The PAN controls assign the signal from the corresponding mixer channel to any desired position in the “stereo sound field”. If a PAN control is set to the maximum “LEFT” position, the signal from that channel will appear only at the left-channel MT120S output (STEREO OUT L). If the PAN control is set fully RIGHT, the signal will appear only at the STEREO OUT R output jack. If a PAN control is set to its center position, then the signal from that channel will appear equally at both the left- and right-channel outputs, and the sound will appear to come from the center of the stereo sound field, a point midway between the two stereo speakers. By varying the level of the signal sent to the left- and right-channel outputs, the PAN control can be used to position the sound at any point in the stereo spectrum. The PAN controls can also be used during recording to assign the signal from several channels to a single track of the recorder section, or to assign a channel to a differently-numbered recorder track (see “CHANNEL-TO-TRACK ASSIGNMENT” on page 13).



⑥ AUX SEND Controls

The AUX SEND controls are used primarily when adding effects such as reverberation or echo to the sound of a channel or track. The AUX SEND control on each mixer channel determines the amount of signal from that channel sent to the AUX SEND jack. The AUX SEND jack must be connected to the input of an external signal processor such as the YAMAHA EMP100 Multi-effect Processor (see "USING THE AUX SEND/RETURN LOOP" on page 22).

⑦ AUX RETURN Control

The AUX RETURN control determines the level at which the signal from an external signal processor is returned and mixed in with the MT120S's main stereo output signal. The output from an external signal processor fed by the AUX SEND jack must be connected to the AUX RETURN jack(s) (see "USING THE AUX SEND/RETURN LOOP" on page 22).

⑧ MONITOR SELECT Switch

MONITOR: This position is selected to listen to the four tape tracks. In this position a mix from the four MONITOR controls is sent to the PHONES jack and the MONITOR OUT jack.

MIX: This position is selected to hear a combination of the four tape tracks and input sources connected to the input jacks. The mix from the MONITOR controls is combined with the stereo output from the mixer section and sent to the PHONES jack and MONITOR OUT jack.

STEREO: This position is selected to monitor the stereo output from the mixer section. In this position, the mix sent to the MONITOR OUT jack and PHONES jack is the same mix that is sent to the STEREO OUT jacks.

⑨ MONITOR Controls 1 — 4

The four MONITOR controls determine the level of the signal from the corresponding recorder tracks which is sent to the PHONES jack and MONITOR OUT jacks when the MONITOR SELECT switch is set to either "MONITOR" or "MIX." The MONITOR controls are primarily used to set up the optimum levels for monitoring recorded tracks while recording new material (overdubbing).

⑩ MONITOR/PHONES Control

This control is used to set headphone and control room listening level. It adjusts the level of signal sent to the PHONES jack and MONITOR OUT jacks with out affecting the signal level appearing at the STEREO OUT jacks.

⑪ MASTER Fader

The MASTER fader sets the overall output level of the MT120S mixer section, and thus the level of the output signal appearing at the STEREO OUT jacks. The MASTER fader also affects recording level when any of the mixer section's channels are assigned to the recorder's tracks via the PAN controls (see "SETTING RECORDING LEVELS" on page 15).

⑫ LED Peak Meters

The four LED peak meters accurately display output levels from the MT120S's four recorder tracks when the METER switch is set to "4TR", or meters 1 and 2 display the level of signals appearing at the mixer section's stereo outputs (the STEREO OUT jacks) when the METER switch is set to "ST."

The LED peak meters are a guide for setting up the optimum recording levels. (see "SETTING RECORDING LEVELS" on page 15).

⑬ METER Switch

When the METER switch is set to "ST," meters 1 and 2 display the level of signals appearing at the mixer section's stereo outputs (the STEREO OUT jacks). When set to "4TR," the four LED peak meters display the level of the corresponding recorder track signals.

⑭ dbx ON/OFF Switch

The dbx switch determines whether the MT120S's internal dbx noise reduction system is ON or OFF. For normal recording and playback using the MT120S, the dbx switch should be turned ON. This provides a significantly improved signal-to-noise ratio (as much as 85 dB) so your recordings will sound cleaner and have much less tape hiss.

If dbx noise reduction is to be activated during synchronizing, set the switch to "SYNC".

For dbx noise reduction to be effective, it must be turned ON both during recording and playback.

The dbx switch may be turned OFF when playing back tapes that were recorded on other equipment and which are not dbx-encoded.

"For Error-free SYNC Recording"

- When recording the FSK signal, set the Track 4 recording level between 0 and +3dB.
- For recording and playback of the FSK signal on Track 4, set the dbx switch to the "SYNC" position.
 - * When the dbx switch is set to "SYNC", Tracks 1 to 3 are set to dbx ON.
- Do not record signals (music, etc.) other than the FSK signal on Track 4, when the dbx switch is set to the "SYNC" position.
- If other signals (music, etc.) are recorded during recording of the FSK signal, avoid using adjacent tracks, if possible.

15 ZERO STOP Switch

When the transport is in rewind, the ZERO STOP function automatically stops the tape at a specified location. To set the ZERO STOP point, play the tape to the desired location and reset the tape counter to ZERO by pressing the counter reset button. In rewind, with the ZERO STOP switch "ON", the transport will stop when the tape counter reaches the vicinity of "999" (may deviate due to tape slack). This is particularly handy in the multitrack "overdub" process when it is necessary to repeatedly rewind the tape and play from the same point.

16 TAPE SPEED Switch

The TAPE SPEED switch selects either the standard 4.8-cm/sec cassette tape speed, or the MT120S's special 9.5-cm/sec high tape speed. Use the standard (4.8) speed when replaying tapes recorded on standard cassette recorders, or to obtain maximum tape economy. When you want maximum sound quality, use the high (9.5) tape speed. The improvement in sound quality provided by the high tape speed is significant, and we recommend that you use the high speed for all important recordings.

[Note] Never change the TAPE SPEED setting while the tape is running.

17 PITCH Control

The PITCH control varies tape speed by approx. $\pm 10\%$, making it possible to "tune" material recorded on the MT120S to match the pitch of musical instruments, or to slightly lengthen or shorten the running time of a recording to meet specific timing requirements. Tape speed is normal when the PITCH control is set to its center click-stop position. Tape speed is increased by sliding the control towards the "+" end of the scale, and decreased by sliding the control towards the "-" end of the scale.

18 EQ Switch

This switch turns the graphic equalizer on and off.

19 Graphic Equalizer

An equalizer is used to tailor the signal to help it stand out or integrate into a mix. MT120S's graphic equalizer is a powerful signal shaping tool which allows you to augment or attenuate signal components up to approx. 10 dB in five frequency bands. The graphic equalizer can be switched ON to enhance signals as they are recorded on tape, and again in playback.

[Note] When switched ON, the graphic equalizer can affect signals being routed to tape via the PAN controls when the REC SELECT switches which are set to "L" or "R". The graphic equalizer will not

affect signals being routed to tape via REC SELECT switches which are set to "1 — 4".

20 Transport Controls

These light touch electronic transport controls provide smooth, sure control of the tape transport functions.

REC/PAUSE Button: When this button is pressed during tape stop, the unit goes into record-ready mode. If pressed during recording, (first press REC/PAUSE, then PLAY), the recording can be interrupted temporarily. To resume recording, press PLAY.

It is also used to enter/exit rehearsal mode, where you can practise a recording or punch-in/out point without actually recording. To enter/exit rehearsal mode, press and hold REC/PAUSE, then press PLAY.

REC/PAUSE Indicator: According to its color, and its state (lit, slow/fast/double blinking, and unlit), the indicator indicates one of five modes, while either in record mode (red color) or rehearsal mode (yellow color). The five modes are:

- **Indicator lit:** At least one track has been set to REC mode, and REC/PAUSE has been pressed (record-ready mode).
Or, if the PLAY indicator is also lit, recording (or rehearsal recording) is underway.
- **Indicator slowly blinking:** At least one track is set to REC mode, and REC/PAUSE has not been pressed. If PLAY is pressed, the unit will enter playback mode, not recording mode.
- **Indicator fast blinking:** Indicates punch-in standby mode.
- **Indicator double-blinking:** The footswitch is connected to the PUNCH I/O jack, all of the REC SELECT switches are set to OFF, and REC/PAUSE has been pressed.
- **Indicator unlit:** None of the tracks are set to REC mode.

[Note] If rehearsal mode has been entered (REC/PAUSE indicator is yellow), the operation of all functions is exactly the same, except that no actual recording will take place.

[Note] The RECORD mode **cannot** be activated if the record-prevention tab has been removed from the cassette.

[Note] Only tracks where the REC SELECT switch is set to a recording position will be recorded when the record mode is activated.

PLAY Button: Using this button, you can select the 3 functions playback start, recording start, and punch-in/out start.

- **Playback start:** Starts the playback of the track set to PLAY mode (REC SELECT switch set to OFF).

- **Recording start:** If the REC/PAUSE indicator is solidly lit, pressing PLAY will start recording any tracks set to REC mode (REC SELECT switches not set to OFF position). If rehearsal mode has been entered (REC/PAUSE indicator is yellow), actual recording will not take place, allowing you to rehearse the operation.
- **Punch-in/out mode start:** If the REC/PAUSE indicator is flashing, pressing PLAY will start punch-in/out mode. The actual punch-in does not begin until you use one of the methods on page 23.

PLAY Indicator: According to its state (lit, slow/fast blinking), this indicator indicates one of the following 3 modes:

- **Indicator lit:** PLAY button has been pressed.
- **Indicator fast blinking:** FF button or REW button has been pressed during playback (CUE/REVIEW mode).
- **Indicator slowly blinking:** Continues blinking for approximately 4 seconds after the POWER switch has been turned on. (During this period the buttons are inoperative.)

REW (REWIND): Press this button to rewind the tape. If the ZERO STOP switch is ON, the tape will stop rewinding when the counter reaches the vicinity of "999."

FF (FAST FORWARD): Press this button to wind the tape ahead at high speed. When this button is pressed while in the PLAY mode, the audio will be heard as the tape winds ahead at high speed.

STOP: Immediately stops the transport and/or defeats the RECORD mode.

21 Tape Counter and RESET Button

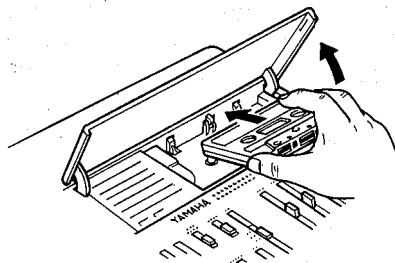
This three-digit tape counter provides a handy index of tape position. It's a good idea to write down the counter readings for important points of a recording, so you can locate them easily afterwards. The RESET button resets the counter to "000" at the current tape position. This is a useful function when used in conjunction with the ZERO STOP switch to identify specific positions on the tape.

22 Cassette Compartment

Your cassette tape is loaded here. Use **only** high-quality chrome (CrO₂) formula cassette tape. Other tape formulations will not provide optimum frequency response and signal-to-noise performance.

A "lifter-tab" is provided at the right side of the cassette compartment cover. Lift the cover using this tab. Hold the cassette with the open end (the end at which you

can see tape) facing the transport controls. First, press the rear edge of the cassette **DOWN** and **UNDER** the central retaining finger at the rear of the cassette compartment. Then gently press the front of the cassette **DOWN** to seat the cassette in place. (SEE DIAGRAM)



[Note] Since the MT120S uses the entire width of the cassette tape to record four tracks, the cassette can only be recorded on one side. Never change the TAPE SPEED setting while the tape is running.

23 MIC/LINE Input Jacks 1 — 4

These four input jacks accept signals from microphones, or from line-level sources including, electronic keyboards, electric guitars and basses and tape players. The four channel inputs are standard monaural 1/4" phone jacks. When a source is plugged into one of these jacks, its signal is sent to the corresponding channel of the MT120S's mixer.

24 PHONES Jack

Any pair of stereo monitor headphones with an impedance of between approximately 8 and 40 ohms can be plugged into this jack. Headphone monitoring is the most convenient way to listen to the MT120S's various signals. High-quality headphones such as the YAMAHA RH5M or MH100 are ideal for this purpose.

25 PUNCH I/O Footswitch Jack

An optional YAMAHA FC4 or FC5 Footswitch can be connected to this jack to permit foot-controlled punch-in and punch-out recording (see "PUNCH-IN/OUT RECORDING" on page 23).

26 AUX SEND Jack

27 AUX RETURN R and L(MONO) Jacks

The AUX SEND and RETURN jacks make it simple to use an external signal processor (such as the YAMAHA EMP100 Multi-effect Processor) to add effects to MT120S signals. The AUX SEND jack should be connected to the input of your signal processor, and the output from your signal processor should be connected to the AUX RETURN jack. If your signal processor produces only monaural output, it should be connected to the L (MONO) AUX RETURN jack (see "USING THE AUX SEND/RETURN LOOP" on page 22).

28 TAPE OUT Jacks 1 — 4

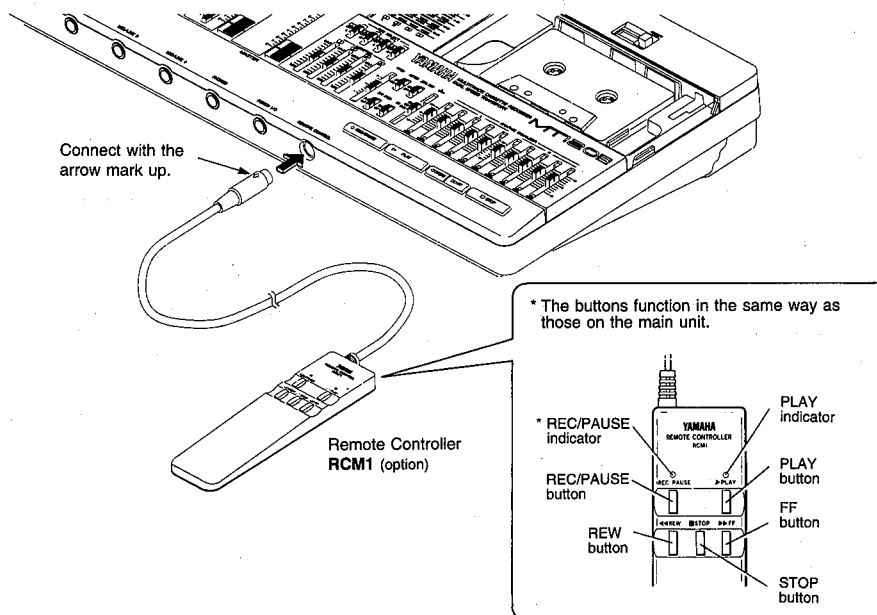
The four TAPE OUT jacks are direct outputs from the corresponding tracks of the MT120S recorder. These RCA pin type jacks make it possible to feed the output from the four recorder tracks to an external mixing console. The TAPE OUT jacks can also be used to feed each of the recorder's tracks to external signal processors, the output of which can then be returned to the MT120S's mixer inputs.

29 STEREO OUT R and L Jacks

These are the main outputs from the MT120S, delivering the stereo output signal from the MT120S mixer section. The RCA pin-type STEREO OUT jacks can be connected to a stereo sound system for monitoring and listening. You can record a mixdown of your tape tracks when these jacks are connected to the inputs of a stereo recorder.

32 REMOTE CONTROL connector

When the optional Remote Controller RCM1 is connected, tape transport operations (REC/PAUSE, PLAY, REW, FF, STOP) can be performed from a distance.



* The REC/PAUSE indicator does not change color in rehearsal mode like the one on the main unit. To avoid confusion, observe the color of the indicator on the main unit.

33 STEREO SUB IN Jacks

These jacks allow you the flexibility of adding yet another stereo sound source to the mix. The output of a second effects unit can be connected here, or output from another mixer. If you are running a synthesizer off a sequencer that is taking MTC from track 4 on the tape, the SUB IN jacks allow you to add the synthesizer output to the final mix, without sacrificing any tape tracks (see page 21).

30 MONITOR OUT R and L Jacks

These jacks output the same signal fed to the PHONES jack (at line level). Control the level (volume) of the output using the MONITOR/PHONES control. The MONITOR OUT jacks can be connected to a stereo sound system for monitoring and listening. They are RCA pin type jacks.

31 POWER Switch

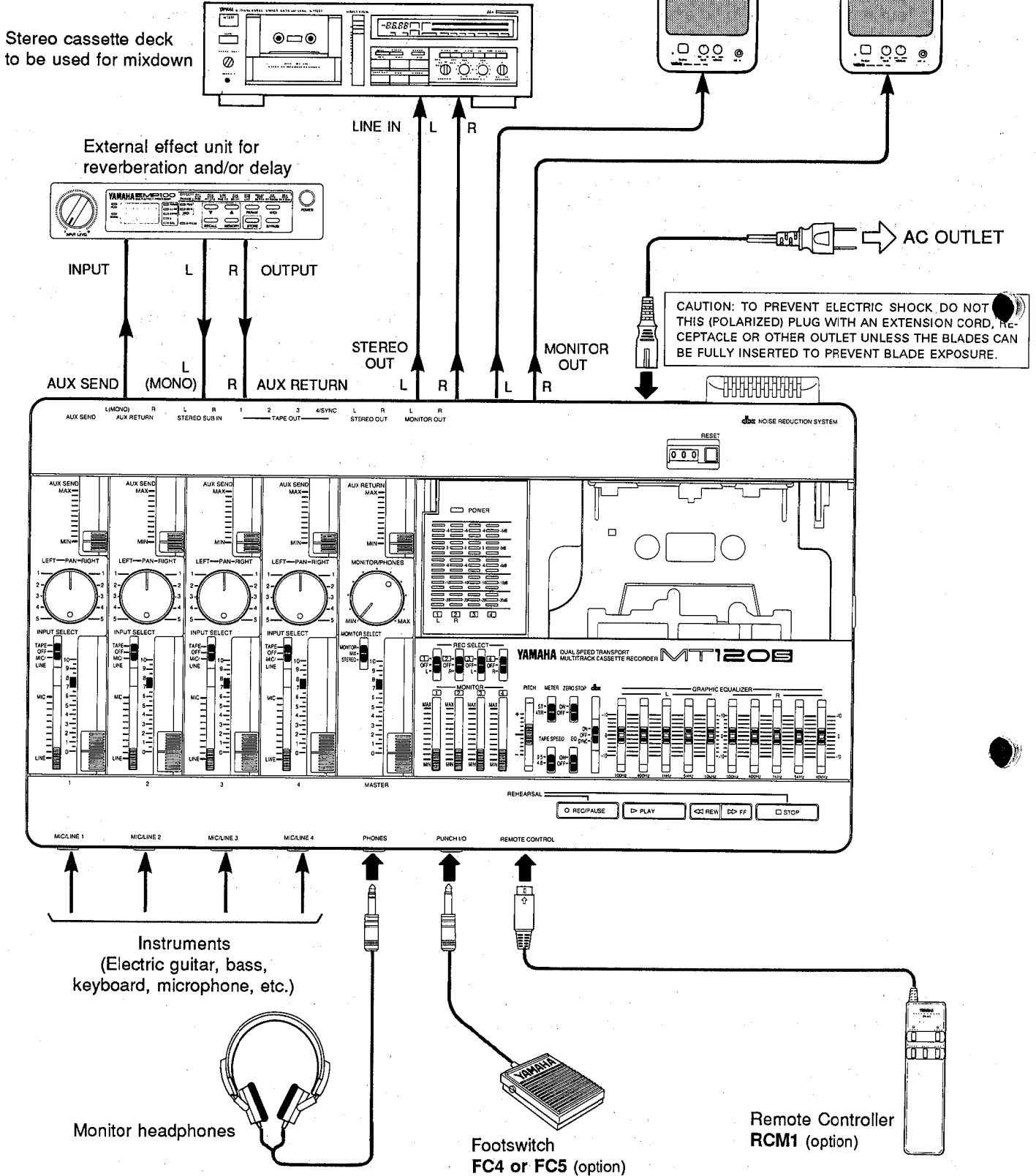
Press the POWER switch once to turn power ON, a second time to turn power OFF. When the power is ON, the POWER LED above the LED peak meters on the MT120S top panel will light. Make sure that the input faders are set to "0" and the AUX RETURN level control is set to "MIN" before turning power on.

[Note] When the power of the unit is turned on, a initializing function will be activated so that for a period of approximately 4 seconds it can not be operated. During the initialisation process the PLAY indicator will blink slowly.

CONNECTION EXAMPLES

BASIC CONNECTIONS

* Make sure the power to all equipment is OFF when making connections.



ABOUT CASSETTE TAPES

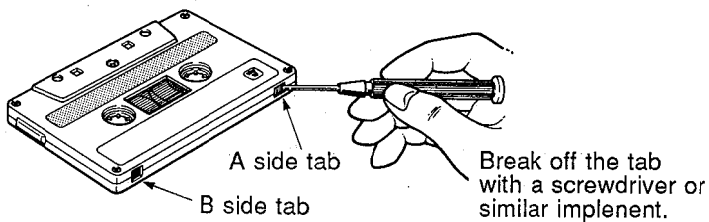
This unit is designed to be used **only with Chromeposition tape**, and will not work properly with Ferrichrome tape formulations. CrO₂ tape (Bias: HIGH; EQ: 70μs) should be used. Also, the use tapes longer than 90 minutes (C-120, etc.) is not recommended because they exhibit poorer performance, and can be the cause of equipment failure.

● Preventing accidental erasure of recordings

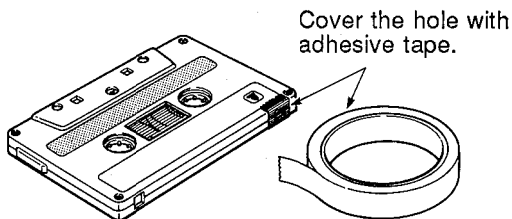
To keep from inadvertently erasing a prized recording, all cassette tapes have record protection tabs along the rear edge of the cassette shell. If this tab is broken out using a screwdriver or any other appropriate implement, it will not be possible to record on the corresponding side of the tape. This will protect your recordings from accidental erasure. To protect a 4-track recording, it's necessary to break out the tabs for both the A and B sides of the tape.

When you'd like to record over a tape with the tabs broken out, just cover the holes (where the tabs were) with a small piece of adhesive tape.

● PREVENTING ACCIDENTAL TAPE ERASURE:

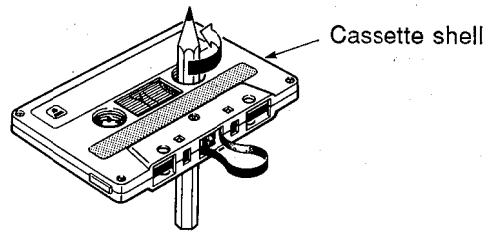


● RECORDING OVER A TAPE WITH THE TABS BROKEN OUT:



● Taking up tape slack

If the tape in the cassette is slack, or some portion of the tape is out of the cassette shell, there is a risk it may become tangled around the capstan or pinchroller. In order to correct this, insert a pencil or ballpoint pen into the center of one reel, and rotate to take up loose tape slack.



● Storing cassette tapes

To prevent tape slack during storage, keep tapes in their cases. Do not store tapes in direct sunlight, or in places with high heat or humidity, as this may damage the tapes. Also, keep the tapes away from magnetic fields, emitted from devices such as televisions or speakers, because the recordings can be erased or sonically altered to some degree.

THE RECORDING PROCESS

For details pertaining to the operation of MT120S controls, please refer to page 5, "MT120S CONTROLS AND THEIR FUNCTIONS".

Recording with the MT120S is a very simple process. All you need is the MT120S, a pair of monitor headphones, and an instrument, microphone, or other signal source.

The multitrack recording process can be basically broken down into the following steps:

1. Record the First Track.

- a) Select channel-to-track assignment for input source.
- b) Set Record Level.
- c) Record.

2. Overdub on the Remaining Tracks.

- a) Select channel-to-track assignment for each overdub.
- b) Set records level for each overdub.
- c) Record the overdub.

3. Track Combining.

- a) If necessary, use "ping pong" technique to combine tracks and clear them for additional overdubs.

4. Mixdown.

- a) Set up for monitoring the mix.
- b) Set up a rough mix and add effects.
- c) Finalize and rehearse the mix.
- d) Connect the MT120S STEREO OUT jacks to a stereo cassette recorder.
- e) Record (from the MT120S to the stereo cassette recorder).

These steps (and what the recording terms mean) will be described in detail below, so its a good idea to read through the following sections in sequence in order to get a clear picture of the overall recording process.

RECORDING THE FIRST TRACK

STEP 1: CHANNEL-TO-TRACK ASSIGNMENT

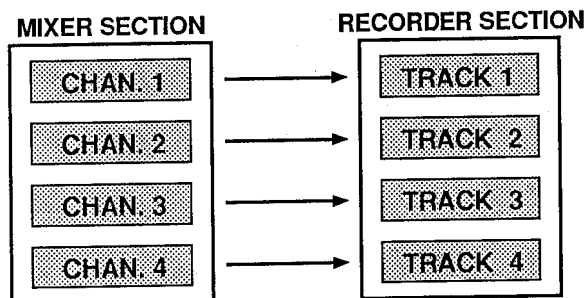
The first step in making any recording is to assign the channel to which your instrument or other source is connected to one of the recorder's tracks.

Depending on what you are recording, you might want to record a single instrument or other source on a single track of the tape, or you might want to combine several instruments or other sources and record them on a single track. The MT120S offers two "channel-to-track assignment" methods.

Direct Channel-to-Track Assignment

With this method, an instrument or source connected to one of the mixer's channels is fed directly to the correspondingly numbered track of the recorder. You can record a single track like this, or up to all four tracks simultaneously. Using this method, only one input source can be recorded on a single track.

For direct channel-to-track assignment, the REC SELECT switches are set to the "number" position (1, 2, 3 or 4). For example, if the channel 1 REC SELECT switch is set to "1," the channel 1 signal will be sent directly to track 1 of the recorder. This applies in the same way to all other channels and tracks.



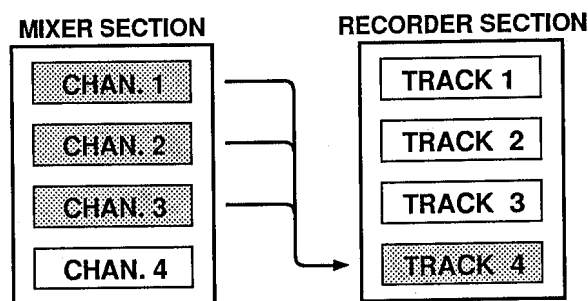
DIRECT CHANNEL - TO - TRACK ASSIGNMENT

Panned Channel-to-Track Assignment

The panned channel-to-track assignment method makes it possible to assign several of the mixer's channels to a single recorder track, or single mixer channels can be assigned to a track of a different numbers.

Each of the REC SELECT switches has either an "L" or "R" position. These correspond to the left (L) and right (R) channels of the mixer's stereo output. If track 1's REC SELECT switch is set to "L" for example, track 1 will receive any signals which are "panned" LEFT. Therefore, it is possible to send the signal from channel 1 to track 4 by selecting "R" on track 4's REC SELECT switch and panning channel 1 RIGHT. In addition, any other channels which are panned RIGHT will also be recorded on track 4 if the faders for those channels are at raised. The assignment illustrated below is achieved by setting track 4's REC SELECT switch to "R" and setting the PAN controls on channels 1, 2 and 3 fully right. Channel 4's pan control is set fully LEFT to prevent its signal from reaching track 4 of the recorder.

[Note] When a REC SELECT switch is set to "L" or "R" the track will also record signal from the "LEFT or RIGHT side" of the AUX return. Therefore, effects can be recorded along with input sources.



PANNED CHANNEL - TO - TRACK ASSIGNMENT

STEP 2: MONITOR SETUP

Once your source is connected to an input channel and that channel is assigned to one of the recorder's tracks, you should set up your monitor system so that you can listen to the track as it is recorded.

The MT120S allows you to monitor the material being recorded either via a pair of headphones connected to the PHONES jack or via a sound system with speakers connected to the MONITOR OUT jacks. The level appearing at the PHONES jack and MONITOR OUT jacks is controlled by the MONITOR/PHONES control. The MONITOR SELECT switch has three positions which allow you to listen to tape tracks only (MONITOR position), input sources (STEREO position), or a combination (MIX position).

MONITOR: In this position only the output from the recorder's four tracks is sent directly to the PHONES jack and the MONITOR OUT jacks via the four MONITOR controls. The MONITOR controls are used to create the desired monitor "mix". This setup is ideal for general monitoring while recording because it allows you to listen to the four tape tracks while leaving input faders available to route signal sources to tape. Material already recorded on any of the recorder's tracks is delivered to the PHONES jack and MONITOR OUT jacks via the corresponding MONITOR controls. In this case, an input source can only be heard when it is assigned to a track via the appropriate REC SELECT switch, and the TRANSPORT controls are in the RECORD or RECORD/PAUSE mode.

MIX: Both the output from the recorder's four tracks (via the MONITOR controls) and the stereo output from the mixer section are sent to the PHONES jack and MONITOR OUT jacks.

STEREO: Only the stereo output from the mixer section is sent to the PHONES jack and MONITOR OUT jacks. This setting is most useful for mixdown of a completed multitrack recording, since you want to hear the mix produced by the mixer section's input faders and any effects applied using the AUX SEND and RETURN controls while mixing.

[Note] Speakers should not be used for monitoring if you will be recording via microphones, since the monitor sound will leak into the microphone(s) and spoil the recording.

STEP 3: SETTING RECORDING LEVELS

Setting optimum recording levels is vitally important to achieve the best possible recording quality.

1. Make sure that a cassette has been loaded into the cassette compartment, and that it is wound to the point at which you intend to start your recording. It's a good idea to press the counter RESET button to set the counter to "000" at this point so that you can automatically locate the beginning of the recording later using the ZERO STOP function.
2. Start by setting the channel input fader to be used set to its minimum ("0") position, and the MIC/LINE gain control all the way to LINE.
3. Press transport REC/PAUSE button, this activates MT120S's record circuit, and puts the transport in RECORD/PAUSE mode. Tape will not be moving. Play the source at the highest (loudest) level that it will be played during recording.
4. Set the MASTER fader to about "7" or "8" on the scale and gradually raise the input fader until you begin to hear the source sound and see the LED peak meter come to life. If your source is an electric instrument (guitar or bass) or a microphone, you may also have to slide the MIC/LINE gain control towards the MIC end of its scale to get a sufficiently high meter reading. Adjust the input fader and MIC/LINE gain control so that the meter reading averages between about "0" and "+3" on the scale. Ideally, the input fader should be set at about "7" or "8" on its scale to achieve the above-mentioned meter reading. This is to ensure the best possible signal-to-noise ratio and allow plenty of plus and minus leeway for later adjustment. If the fader setting is way off, try adjusting the volume control on the instrument or other source until you can get the optimum reading with a fader setting between "7" and "8." After levels are set, press STOP button to disengage RECORD/PAUSE transport status.

STEP 4: RECORD

When you have inserted a cassette, assigned the input channel to a recorder track, checked the monitor settings and set the optimum record level for the new track, you're ready to record.

[Note] Make sure the PITCH control is OFF (slider in the center position) while recording your first track.

1. Press the REC/PAUSE button and then the PLAY button to start recording, wait a few seconds, and start playing.
2. When you've finished recording the track, press the transport STOP button, turn the REC SELECT switch for the track just recorded to the OFF position, rewind the tape (the tape will stop automatically at a counter reading around "999" if the ZERO STOP switch is ON).
3. Play back the recording (press the PLAY button) and listen to the track to make sure that everything went as planned.

[Note] If you plan to record using microphones and you will be monitoring in the same room as where the microphones are set up, we recommend the use of headphones while actual recording is taking place. If speakers are used for monitoring during recording, their sound can "leak" back into the microphones compromising the quality of your recording.

OVERDUBBING

Overdubbing is the process of recording a new track (or new tracks) while monitoring previously recorded tracks. If you're only planning to record a maximum of four tracks, you can go ahead and overdub the second, third and fourth tracks. If you're planning to use the "ping-pong" recording technique to record more than four parts, however, record only three tracks and then move on to the ping-pong step (see "PING-PONG RECORDING" on page 17).

1. Plug the instrument or other source to be recorded into an available channel input.
2. Make sure that the REC SELECT switches of previously-recorded tracks are set to OFF so that previously recorded tracks aren't erased when the new track is recorded.
3. Set up the channel-to-track assignment for the new track.
4. Check your monitor settings to ensure that you can monitor the previously recorded track(s) as well as the new track to be recorded (the MONITOR SELECT switch should normally be set to MONITOR.)
5. Set the recording level for the new track.
6. You can now "rehearse" the overdub without actually recording by simply playing back the already-recorded track(s) and playing the new part. When MONITOR select is in the MONITOR position, it is not possible to hear input source unless MT120S's transport is in RECORD or RECORD/PAUSE. If you are not ready to actually record your overdub, and would like to hear the new input source along with previously recorded tracks, set the MONITOR select switch to the MIX position.

[Note] Rehearsing this way is not the same as using the rehearsal function for punching in and out (see page 23).

7. Make sure the tape is rewound to the beginning of the piece and start recording.

These steps are simply repeated to overdub tracks 3 and 4.

PING-PONG RECORDING

Ping-pong recording is a technique you can use to squeeze more than just 4 parts onto your 4-track machine. This is accomplished by re-recording a mix of existing tracks onto an open track. Once tracks have been combined in this way on a new track, the original tracks can be erased, clearing them for additional overdubs.

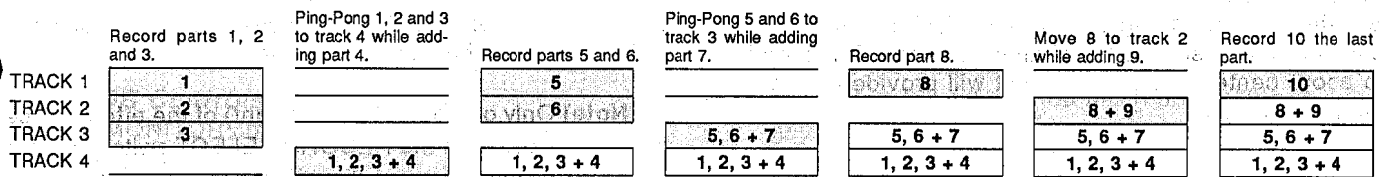
In ping-pong recording, you can record parts on tracks 1, 2, and 3, for example, and then re-record these tracks onto track 4, using the mixer controls to set up the right balance between the 3 original tracks. You now have a "mix" of the first 3 tracks on track 4, and tracks 1, 2, and 3 are available for more recording. That's already the equivalent of 6 "tracks" on your 4-track recorder. While mixing the first 3 tracks down onto track 4 you can also mix in a live instrument via the MT120S mixer section. That would give you 4 parts recorded on track 4 of the tape. With the 3 tracks you still have available for recording, that's a total of 7 tracks. Now, if you record only 2 of the remaining tracks and ping-pong these to track 3 while mixing in another live instrument, you'll have 4 parts on tracks 4, 3 parts on track 3, and 2 tracks available. That's a total of 9. Following this procedure it is actually possible to record up to 10 individual tracks without re-recording any single track more than once (refer to the illustration).

[Note] Ping-ponging is a critical step because the tracks to be ping-ponged must be mixed **perfectly** before you can go on to recording the subsequent tracks. This is because once they're ping-ponged and new material has been recorded on the original tracks, their balance and individual sound **cannot** be changed unless you go back and record the original tracks all over again.

[Note] It is recommended that you record using the 9.5 cm/sec tape speed with dbx ON if you plan to combine tracks using the ping-pong technique. Under some conditions, use of the 4.8 cm/sec tape speed with noise reduction OFF will cause feedback when a previously recorded track is re-recorded onto an adjacent track.

[Note] Ping-Pong recording technique requires that multiple tracks are directed to tape via PAN controls. Remember that a signal appearing at the stereo AUX RETURN will also be added along with the tracks being recorded or ping-ponged. To prevent an effect from being recorded, set the AUX RETURN fader to "0" (all the way off).

EXAMPLE: Recording tracks "1" through "10" using the Ping-pong process.



A PING-PONG RECORDING EXAMPLE

The following is an example of how you would ping-pong material recorded on tracks 1, 2 and 3 onto track 4.

Here's how the controls should be set:

• **INPUT SELECT switches**

Make sure that the channel 1, 2 and 3 INPUT SELECT switches are set to TAPE and the channel-4 INPUT SELECT switch is set to OFF.

• **Input Faders**

To begin with, set the input 1 through 3 faders to about "7" on their scales, and set the MASTER fader to "0."

• **REC SELECT Switches**

The channel 1 through 3 REC SELECT switches must be set to OFF, and the channel-4 REC SELECT switch should be set to "R."

• **AUX SEND Controls**

Set all four AUX SEND controls to MIN for the time being.

• **GRAPHIC EQUALIZER Switch**

Switch this OFF for the time being.

• **PAN Controls**

Since the channel-4 REC SELECT switch is set to "R," the channel 1 through 3 PAN controls must be rotated full clockwise (right) to assign the track 1, 2 and 3 signals to track 4 of the tape. The channel-4 PAN control can be set to center.

• **AUX RETURN Control**

Set to MIN for the time being.

• **MONITOR SELECT Switch**

Set to MIX so you'll only hear signals from the MT120S recorder.

• **MONITOR Controls**

Set the channel 1 through 3 MONITOR controls fully counter-clockwise, and the channel-4 MONITOR control to about center or a position that will provide the best monitoring level.

1. Play back the tape. Gradually increase the MASTER fader setting until you can hear the tracks you've recorded and the channel-4 meter reads around "0" on the meter scale. Adjust the MONITOR 4 control for the most comfortable monitoring level.

2. Adjust the input 1, 2 and 3 faders — carefully — until you get the desired balance between the first three tracks. You'll notice that as you adjust the balance between tracks the channel-4 meter reading might change considerably. You'll have to compensate for this as you set up the ping-pong mix by adjusting the MASTER fader.

3. At this time the GRAPHIC EQUALIZER may be switched "on" and used to enhance the sound-quality of tracks as they are combined.

4. AUX SEND controls on the channels may be used to add an effect to the balance. The amount of effect added is controlled by the AUX RETURN fader.

5. When everything is set up perfectly, rewind the tape to the beginning and start recording. Sit back and wait until the ping-pong is complete, then stop the recorder. Now play back the tape and listen to the ping-ponged track carefully. If something sounds odd, go back and repeat the ping-pong process. You can do this as many times as necessary until you get it right — then go on to the next step.

6. Complete your recording by overdubbing and using the Ping-Pong technique as necessary.

[Note] Only one output (left or right) of the effect will be recorded. If the RECORD SELECT switch is set to "L", the output of the effect processor connected to the LEFT AUX RETURN jack will be recorded. If the RECORD SELECT switch is set to "R", the output of the effect processor connected to the RIGHT AUX RETURN jack will be recorded.

MIXDOWN

Mixdown is the last stage in the recording process at which time you can blend and polish the sounds to create the final product.

A "MIX" is created by finely balancing the four tracks to achieve just the right sound. This final balance is achieved using MT120S's mixer section and is re-recorded onto a conventional stereo tape deck. Tracks can be faded in or out as required, and refinements such as overall reverberation or equalization can be added using external signal processing equipment and MT120S's 5-band on-board GRAPHIC EQUALIZER. The mixer's PAN controls can be used to position each track at their appropriate location in the stereo image, and you may even want to move or PAN a sound from one channel to the other to create a dramatic effect.

Here's how your system should be set up:

- **INPUT SELECT Switches**

Make sure that all four INPUT SELECT switches are set to TAPE.

- **Input Faders**

Set all channels to "0" (minimum).

- **REC SELECT Switches**

Set all REC SELECT Switches to OFF.

- **AUX SEND Controls**

Set all four AUX SEND controls to MIN for the time being.

- **GRAPHIC EQUALIZER Switch**

Switch this OFF for the time being.

- **PAN Controls**

Start with all PAN controls set to center.

- **MASTER Fader**

Set to about "7" or "8" on the scale.

- **AUX RETURN Control**

Set to MIN for the time being.

- **MONITOR SELECT Switch**

You will want to monitor the same signal which appears at the STEREO OUT jacks, so set this switch to STEREO. We recommend using an external sound system or a pair of powered monitor speakers (such as the YAMAHA MS101 Monitor Speaker) for mixdown.

- **MONITOR Controls**

Set all MONITOR controls fully counter-clockwise.

- **METER Switch**

ST.

- **dbx Switch**

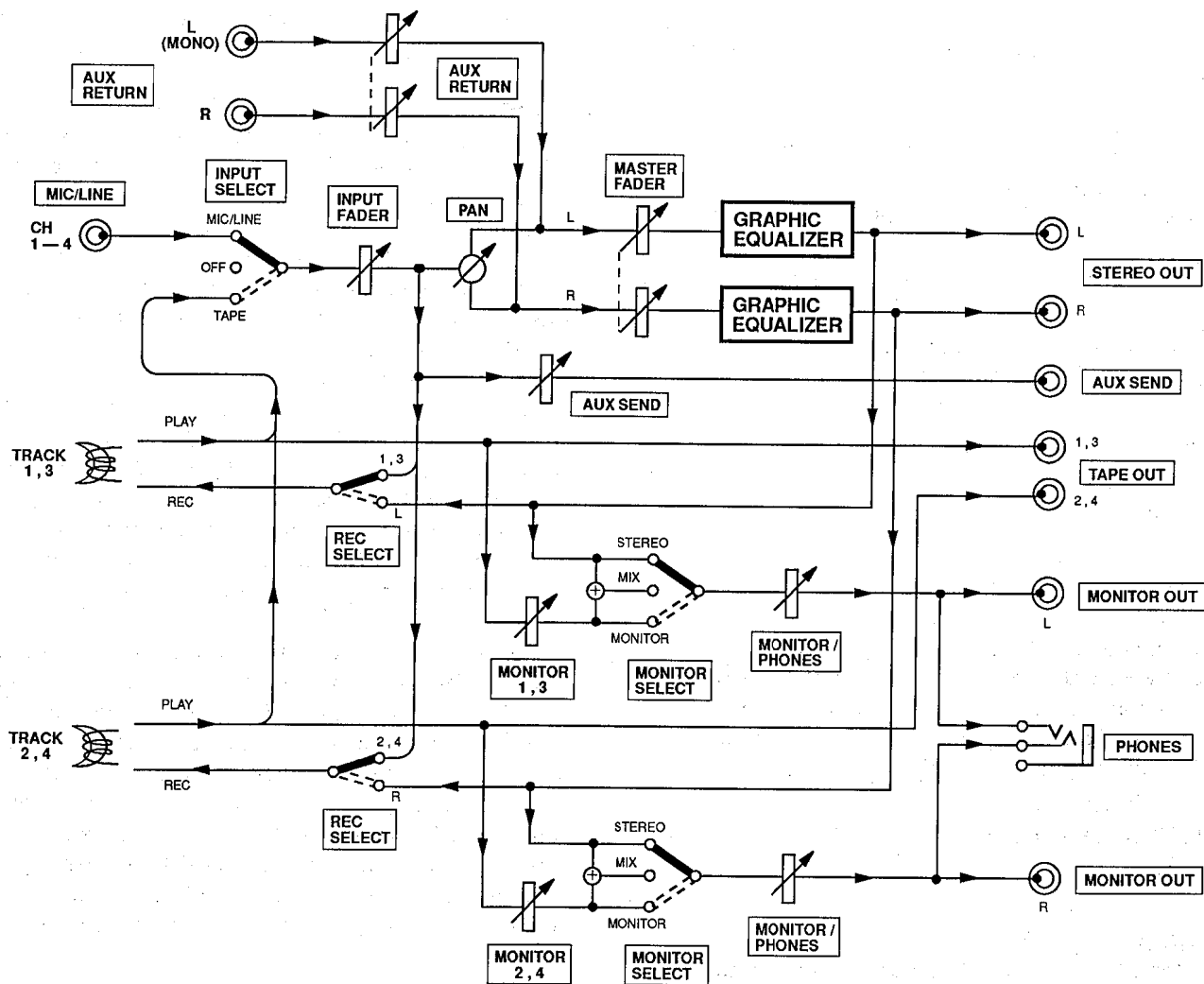
If you started recording with the dbx switch set to ON, leave it there. If OFF, it should stay OFF.

1. Sit in a comfortable, central position in front of your monitor speakers.
2. Listen to, evaluate, and adjust the sound of each track individually. This simply means raising the fader of a single track, adding effects or other signal processing as required, then repeating the process on the next track until all tracks have been carefully checked. MT120S's 5-band GRAPHIC EQUALIZER can be used to add or subtract high, mid, and low frequency components from the overall mix, creating a more exciting and coherent marriage of the tracks. If you have an external signal processing device such as the YAMAHA EMP100 Multi-effect Processor connected into the MT120S's AUX SEND/RETURN loop as described in the following section ("USING THE AUX SEND/RETURN LOOP"), it's a simple matter to select the desired effect on your signal processor and add the required amount of effect to each track using the AUX SEND controls. The AUX RETURN control must also be set to an appropriate level.
3. When all tracks have been individually checked, bring all input faders up to about "7" or "8" on the scale and play back the tape. Adjust the faders for the best overall balance. Now adjust the PAN controls to place each track at the desired location in the stereo sound field. Now listen carefully — too much or too little reverb on any track? Readjust the AUX SEND controls to achieve the desired effect. Balance not quite right? Keep readjusting until you are satisfied. You should also rehearse any fades or pans you plan to do while actually recording the mix.
4. When you're sure everything is ready, prepare to actually record the mix. Connect the MT120S STEREO OUT jacks to the inputs of a stereo cassette recorder. Plug your monitor headphones into the stereo cassette deck phones jack if you want to listen as you record the mix, or simply leave them connected to the MT120S PHONES jack and listen with the MONITOR SELECT switch set to STEREO. Use the stereo cassette deck record level control(s) and, if necessary, the MT120S MASTER fader to set the optimum record level, then go ahead and record. The MT120S MASTER fader can also be used to add a slow fade at the end of the piece.

USING THE GRAPHIC EQUALIZER

The MT120S has a stereo 5-band graphic equalizer built in. As the block diagram below makes clear, signals assigned to the left and right channels by the PAN control and level adjusted using the MASTER fader are sent to the equalizer. Therefore, it can be used during ping-pong recording, mixdown operation and when recording with the REC SELECT control set to "L" or "R." The equalizer cannot be used when the REC SELECT control is set to "1" — "4," however, since each channel signal is recorded directly on the appropriate track.

The graphic equalizer affects only the signal paths marked with bold lines in the diagram below.



USING THE TAPE OUT JACKS AND THE STEREO SUB IN JACKS

The TAPE OUT jacks can be used to feed the tape outputs to an external mixer or effects unit, or to feed an FSK sync signal to a MIDI converter, to drive a MIDI sequencer.

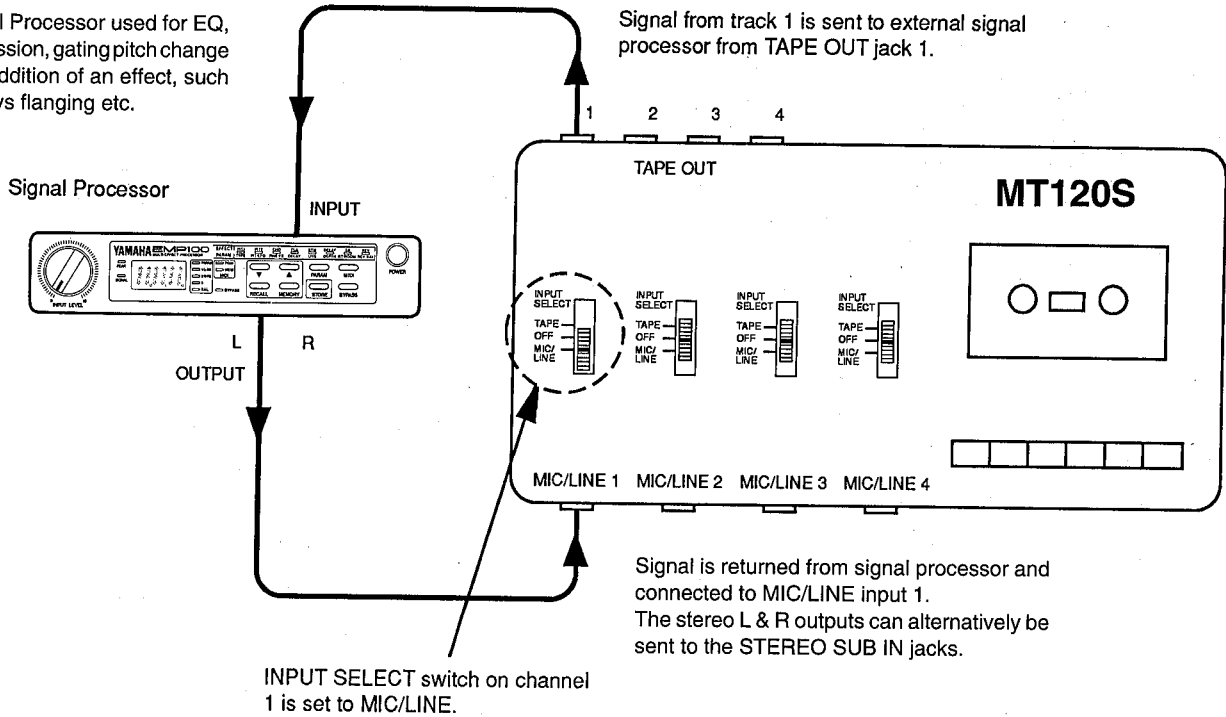
In mixdown, individual tracks can be processed using a signal processor, which receives signals from the TAPE OUT jack, then the processed signal can be returned either to a channel INPUT jack (see diagram 1), or to the STEREO SUB IN jacks.

If you are using a MIDI FSK sync signal on channel 4, in the final mixdown the FSK can be sent from TAPE OUT 4/SYNC to a MIDI converter such as the YAMAHA YMC10. The YMC10 sends MIDI Time Code (MTC) to a MIDI sequencer, or sequencer/tone generator such as the YAMAHA QY20. From here, the preprogrammed music can be fed back into the STEREO SUB IN jacks for the final mix. This way, the output from the QY20 will be exactly in time with the rest of the tracks on the tape (see diagram 2).

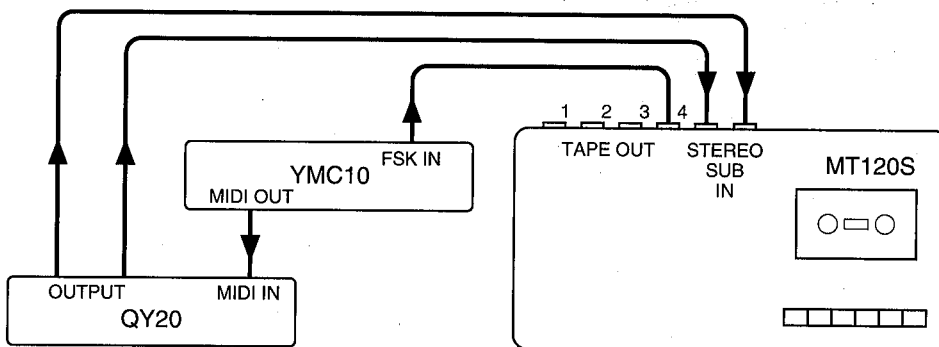
The advantage of using a MIDI sync/sequencer setup, is that no matter how complex the synthesizer arrangement, it effectively only uses one track on the tape (track 4), leaving the other tracks free for recording live instruments/vocals.

1. Processing Individual Tracks In Mixdown Using TAPE OUT Jacks

External Processor used for EQ, compression, gating pitch change or the addition of an effect, such as delays flanging etc.



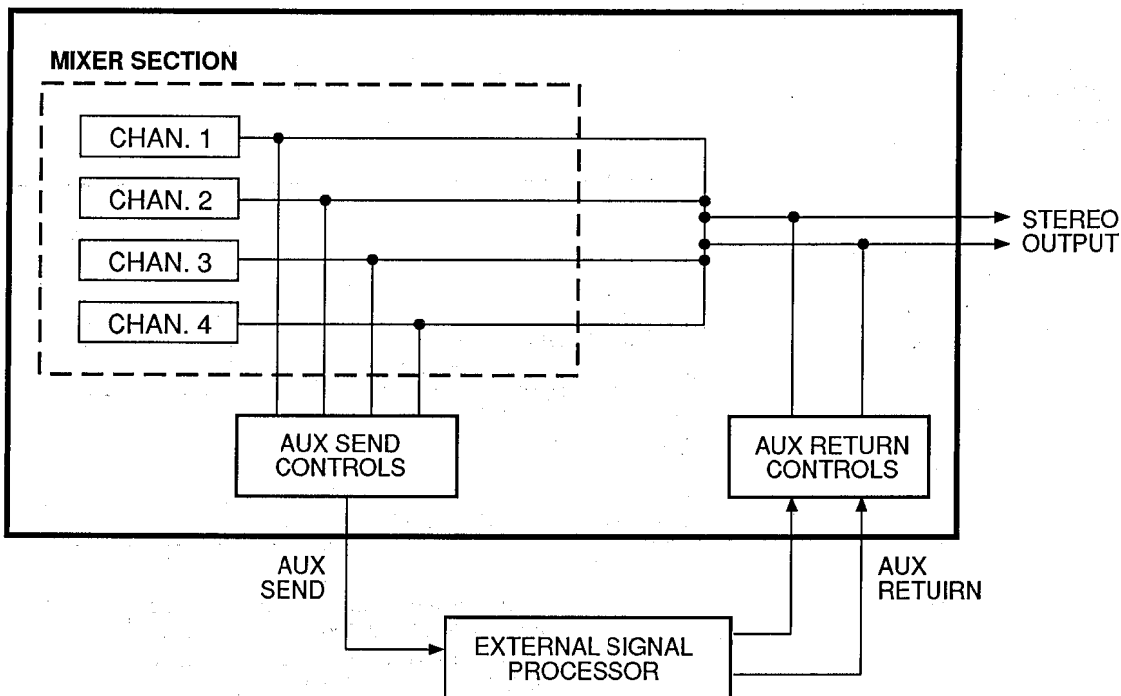
2. Using a Prerecorded FSK Signal on Track 4 to Drive a Sequencer Setup



USING THE AUX SEND/RETURN LOOP

The MT120S's AUX SEND controls function like a secondary mixer that derives its input signals from the main mixer's four channels and combines them into a mono signal which is delivered via the AUX SEND jack (refer to the diagram below). You can use the AUX SEND controls to create an "effect mix", independent of the main mix, thus adding the required degree of effect to each channel signal. The AUX SEND signal is sent to the input of an external signal processor (reverb, echo or other effect device), and the output from the signal processor is returned to the AUX RETURN jacks. The level of the signal received at the AUX RETURN jacks can be adjusted using the AUX RETURN control, and the resulting signal is combined with the MT120S's main stereo output signal.

Since the returned effect signal is combined with the mixer's stereo output signal, the AUX SEND/RETURN loop can be used in mixdown to add an effect to tracks when they are being recorded. In this case tracks must be assigned to tape using the "panned channel-to-track" assignment method (see page 13).



[Note] Since the AUX SEND/RETURN loop returns the effect signal to the mixer section's stereo outputs, effects can be added to channels during ping-pong recording as long as the panned channel-to-track assignment method is used. The AUX SEND/RETURN loop cannot be used to add effects when recording tracks which have been assigned using the direct channel-to-track assignment method.

PUNCH-IN/OUT RECORDING

Punch-in/out recording makes it possible to re-record a short segment of an otherwise perfect track in order to correct a mistake or "brush up" an important passage. You "punch-in" at the point where you begin recording the new segment, and "punch-out" at the end of the new segment so that the previously-recorded material is not erased. In addition to the normal functions of punching in and out, the unit also provides a rehearsal mode. This allows you to go through the whole process of punching in and out without any actual recording taking place, so you can practice the operation without endangering your precious recording.

Rehearsal Mode

1. To enter rehearsal mode, you must have at least one of the REC SELECT switches set to a position other than OFF. Once rehearsal mode has been entered, the REC SELECT switches can be returned to OFF if necessary.
2. Press the REC/PAUSE and STOP button together. The red REC/PAUSE indicator will turn yellow.
3. Performing any punch-in/out operations will not actually perform the recording, allowing you to practice the operations.
4. To return to normal recording mode, press the REC/PAUSE and STOP buttons together, and the REC/PAUSE indicator will change back to red.

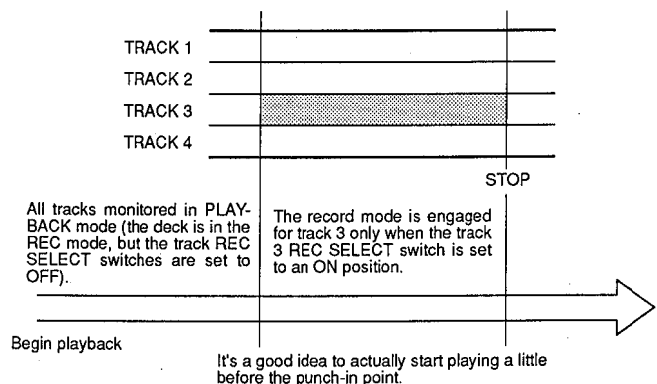
Punch-in/out Using the REC SELECT Switches

1. Ensure all the REC SELECT switches are set to OFF, and the MONITOR SELECT switch is set to MONITOR so you can hear all the tracks.
2. Cue the tape to a few measures before the section to be re-recorded begins. It's a good idea to reset the counter, and turn the ZERO STOP on, so you can come back to this point.
3. Start the recorder running in the record-ready mode by pressing REC/PAUSE then PLAY. The REC/PAUSE indicator will flash, indicating that the transport is in record-ready mode.
4. At a convenient break in the track, perform the punch-in, by switching the REC SELECT switch for that track to the appropriate record position. The REC/PAUSE indicator will stop flashing, and light continuously. Any material now played will be recorded (unless you're in rehearsal mode).
5. At the end of the re-recorded segment, punch-out by moving the REC SELECT switch(s) back to OFF. The tape will continue playing, and the REC/PAUSE indicator will begin to flash.

Footswitch Punch-in/out

Don't forget, all of the following steps can be performed in rehearsal mode (yellow REC/PAUSE indicator).

1. Plug a YAMAHA FC4 or FC5 (optional) footswitch into the MT120S PUNCH I/O jack.
2. Set the REC SELECT switch for the track to be punched in, to the appropriate record position. The REC/PAUSE indicator will start to flash slowly.
3. Press the REC/PAUSE button to activate the rec/pause mode. The REC/PAUSE indicator will start to flash faster.
4. To start the tape playing (not recording, yet), press the footswitch (or press PLAY).
5. When you reach the punch-in point, press the footswitch again. The indicator now lights continuously, and any material now played will be recorded (unless you're in rehearsal mode).
6. When you reach the point where you want to punch-out, press the footswitch again. The indicator will go back to fast-blinking. Steps 5 and 6 can be repeated several times, if necessary.
7. When the tape reaches the end of the section requiring punch-ins, press the STOP button.



MAINTENANCE

Maintenance on your MT120S basically involves keeping the tape heads in the best possible condition. This involves two considerations — keeping them clean, and keeping them demagnetized.

As the magnetic tape passes over the tape heads, a very small amount of magnetism stays on the heads (rather like passing a magnet over a needle). Over time, this builds up to a point where the heads become magnetized, and as the tape passes over the heads, the tape itself (with your precious recordings) will start to be wiped.

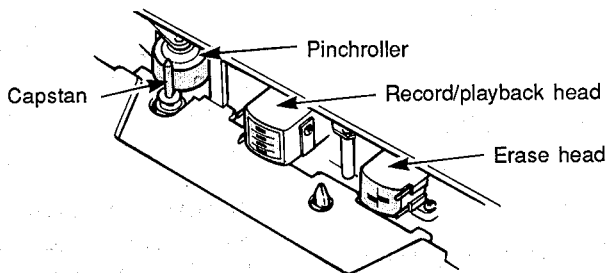
To avoid this, we recommend that you use a commercially available head demagnetizer on the tape heads, after every 10 hours of playing/recording time. This may seem extreme, but we assure you, the results are worth it.

The recording & playback head has been precision-constructed to extremely fine tolerances in order to make high-quality 4-track recording possible. Optimum performance can only be achieved if the head surface is kept immaculately clean. Cleaning should be carried out at regular intervals — at least after every 10 hours of use.

Dirty heads can cause any of, or a combination of, the following problems:

- Recording, playback and erasure are not possible.
- Reduced playback sound level.
- Fluctuating and or/distorted sound.
- Excessive noise.
- A drop in level at the high frequencies.

If any of the above problems occur, clean the heads careful **before** assuming the fault is with the recorder. Use a commercially available head-cleaning kit (read the instructions provided with the kit), or wipe carefully with a cloth or cotton swab that has been dampened with isopropyl alcohol. Also clean the pinch roller at the same time as the heads.



SPECIFICATIONS

TAPE TRANSPORT

Tape Type	<i>Chrome (70 microsec. EQ)</i>
Heads	<i>4-channel Permalloy rec/play head 4-channel ferrite erase head</i>
Tape Speed	<i>4.8 cm/sec., 9.5 cm/sec.</i>
Pitch Control	<i>Approx. $\pm 10\%$</i>
Wow & Flutter	<i>Less than 0.12% WRMS (4.8 cm/sec.)</i>
Rewind Time	<i>Approx. 110 sec., for C-60 tape</i>
Motor	<i>DC servo motor</i>

CONNECTORS

Input 1 — 4	Input Impedance	<i>10 k-ohms</i>
	Rated Input Level	<i>-10 dB to -50 dB (fader nominal)</i>
	Max. Input Level	<i>+10 dB (gain control min.)</i>
	Min. Input Level	<i>-56 dB (gain control, fader max.)</i>
STEREO SUB IN L, R	Input Impedance	<i>10 k-ohms</i>
	Rated Input Level	<i>-10 dB</i>
AUX RETURN L & R	Input Impedance	<i>10 k-ohms</i>
	Rated Input Level	<i>-10 dB (AUX RETURN level control nominal)</i>
	Min. Input Level	<i>-16 dB (AUX RETURN level control max.)</i>
STEREO OUT L & R	Output Impedance	<i>1 k-ohm</i>
	Load Impedance	<i>Greater than 10 k-ohms</i>
	Rated Output Level	<i>-10 dB into 10 k-ohms</i>
PHONES (STEREO)	Load Impedance	<i>8 to 40 ohms</i>
	Max. Output Level	<i>45 mW + 45 mW/40 ohms</i>
TAPE OUT 1 — 4	Output Impedance	<i>1 k-ohm</i>
	Load Impedance	<i>Greater than 10 k-ohms</i>
	Rated Output Level	<i>-10 dB into 10 k-ohms</i>
AUX SEND	Output Impedance	<i>1 k-ohm</i>
	Load Impedance	<i>Greater than 10 k-ohms</i>
	Rated Output Level	<i>-10 dB into 10 k-ohms</i>
MONITOR OUT. L & R	Output Impedance	<i>1 k-ohm</i>
	Load Impedance	<i>Greater than 10 k-ohms</i>
	Rated Output Level	<i>-10 dB into 10 k-ohms</i>

ELECTRICAL SPECIFICATIONS

Frequency Response (NR OUT)	<i>40 Hz to 18 kHz, +3/-5 dB at 9.5 cm/sec. 40 Hz to 13 kHz, +3/-5 dB at 4.8 cm/sec.</i>
S/N ratio (3% THD Level)	<i>85 dB, dbx ON, IHF-A</i>
Distortion	<i>1.0% at 400 Hz, dbx ON, -13 dB Rec. Level</i>
Channel Separation	<i>Greater than 65 dB at 1 kHz, dbx ON, (B.P.F)</i>
Erasure Ratio	<i>Greater than 70 dB at 1 kHz, dbx ON</i>
Noise Reduction	<i>dbx *</i>
Graphic Equalizer	<i>100, 400, 1k, 5k, 10kHz (± 10 dB), Q = 0.7</i>

GENERAL

Power Requirements	<i>U.S. & Canadian Models: 120 V AC, 60 Hz UK Model: 240 V AC, 50 Hz General Model: 230 V AC, 50 Hz</i>
Power Consumption	<i>16 W</i>
Dimensions (WxHxD)	<i>410 x 80.8 x 237 mm (16-1/8" x 3-3/16" x 9-5/16")</i>
Weight	<i>2.6 kg (5 lbs 12 oz)</i>

* *dbx is a trademark of dbx Incorporated.*

0 dB = 0.775 Vr.m.s.

All specifications subject to change without notice.

Français

ENREGISTREUR DE CASSETTES MULTIPISTE

MT1205

MANUEL D'INSTRUCTIONS

FELICITATIONS!

Votre enregistreur de cassettes multipiste MT120S est un outil créatif pour l'enregistrement peu commun qui vous permettra de travailler avec le son de nombreuses manières différentes. Aucun autre enregistreur de cassettes multipiste offre la simplicité directe et l'aisance d'utilisation du MT120S. Que vous ayez besoin d'enregistrer des instruments acoustiques et des voix au moyen de microphones, ou des sources de haut niveau et instruments électroniques directement connectés, ou encore un mélange créatif des deux, le MT120S vous permet de créer votre propre son sans problème et avec la plus grande aisance. Vous pouvez tout simplement enregistrer et remélanger quatre pistes, ou utiliser la technique de l'enregistrement multipiste en "ping-pong" pour enregistrer individuellement jusqu'à dix parties indépendantes, ajoutant le son couche par couche jusqu'à ce que vous ayez créé l'arrangement et la texture que votre imagination demande. Grâce à sa possibilité d'enregistrer simultanément sur les quatre pistes, ou en toute combinaison, le MT120S s'avère le choix idéal pour enregistrer des orchestres ou pour superposer des pistes chez soi. Le MT120S est aussi simple à utiliser seul qu'avec un groupe. Et parce que c'est un YAMAHA, vous avez la certitude que le MT120S vous donnera la qualité sonore et les performances générales les meilleures qu'il soit possible d'obtenir. Afin d'utiliser au mieux les innombrables fonctions du MT120S et d'en obtenir des performances maximales, nous vous suggérons de lire très attentivement ce manuel d'instructions et de le ranger dans un endroit sûr afin de pouvoir vous y référer plus tard.

TABLES DES MATIERES

PRECAUTIONS	29
COMMANDES ET RACCORDEMENTS	30
COMMANDES DU MT120S ET LEURS FONCTIONS	31
EXEMPLES DE RACCORDEMENT	36
QUELQUES REMARQUES SUR LES CASSETTES	37
METHODE D'ENREGISTREMENT	38
ENREGISTREMENT DE LA PREMIERE PISTE	39
ETAPE 1: ASSIGNATION CANAL/PISTE	39
ETAPE 2: PREPARATION DU SYSTEME D'ECOUTE DE CONTROLE	40
ETAPE 3: REGLAGE DES NIVEAUX D'ENREGISTREMENT	41
ETAPE 4: ENREGISTREMENT	41
SURMIXAGE	42
ENREGISTREMENT EN PING-PONG	43
EXEMPLE D'UN ENREGISTREMENT EN PING-PONG	44
MIXDOWN	45
UTILISATION DE L'EGALISEUR GRAPHIQUE	46
UTILISATION DES PRISES DE SORTIE DE BANDE	47
UTILISATION DE LA BOUCLE TRANSMISSION/RETOUR	48
ENREGISTREMENT PUNCH-IN/PUNCH-OUT	49
ENTRETIEN	50
SPECIFICATIONS	51
SCHEMA DE PRINCIPE	78

PRECAUTIONS

1. EVITER CHALEUR, HUMIDITE, POUSSIERE ET VIBRATIONS EXCESSIVES

Ne pas placer l'appareil là où il pourrait être soumis à des températures ou une humidité excessives, comme par exemple à proximité d'un radiateur, d'un calorifère, etc. Eviter également les endroits particulièrement poussiéreux ou soumis à des vibrations qui pourraient provoquer des dommages mécaniques.

2. EVITER LES CHOCS

Des chocs physiques violents peuvent endommager l'appareil. Par conséquent le manipuler avec soin.

3. NE PAS OUVRIR L'APPAREIL ET NE PAS ESSAYER DE LE REPARER OU DE LE MODIFIER SOI-MEME

Ce produit ne contient pas de pièces réparables par l'utilisateur. Pour les opérations autres que l'entretien de routine, toujours faire appel à un réparateur YAMAHA qualifié. Le fait d'ouvrir l'appareil et/ou d'altérer les circuits internes annulerait la garantie.

4. AVANT DE PROCEDER AUX BRANCHEMENTS OU AUX DEBRANCHEMENTS, CONFIRMER QUE L'APPAREIL EST HORS TENSION

Avant de brancher ou de débrancher les cordons toujours mettre l'appareil hors tension. Cette démarche est importante, car elle permet d'éviter tout dommage à l'appareil, ainsi qu'aux autres composants raccordés.

5. MANIPULER PRECAUTIONNEUSEMENT LES CORDONS

Brancher et débrancher les cordons, le cordon d'alimentation secteur y compris, en saisissant le connecteur, jamais en tirant sur le cordon.

6. NETTOYER L'APPAREIL AVEC UN CHIFFON DOUX ET SEC

Ne jamais utiliser de solvants, tels que la benzine ou un dissolvant, pour nettoyer l'appareil. L'essuyer simplement avec un chiffon doux et sec.

7. TOUJOURS UTILISER UNE SOURCE D'ALIMENTATION QUI CONVIENT

Les spécifications d'alimentation du MT120S sont celles de la région d'achat (la tension et la consommation d'électricité sont indiquées sur le panneau inférieur). Si l'appareil doit être utilisé dans une autre région où la tension risque d'être différente, consulter un distributeur YAMAHA avant de réutiliser le MT120S.

8. MAINTENIR LES TETES ET LE PASSAGE DE LA BANDE PROPRES

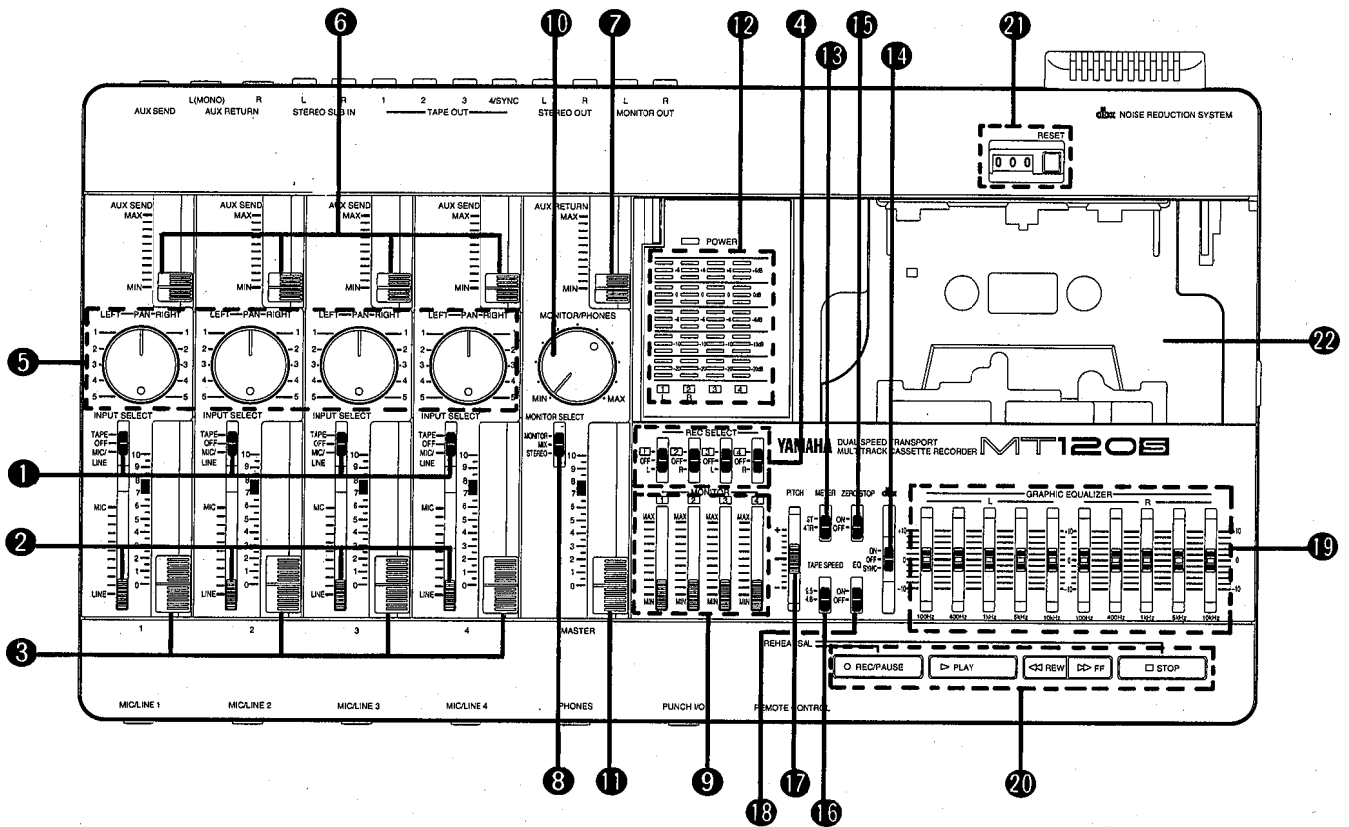
Afin de toujours obtenir des performances élevées et une bonne qualité sonore du MT120S, il est très important de nettoyer régulièrement les têtes et le passage de la bande (idéalement parlant avant chaque séance d'enregistrement). Pour ce faire, utiliser un kit de nettoyage spécialement conçu pour être utilisé avec des appareils à cassettes.

9. N'UTILISER QUE DES CASSETTES AU CHROME DE QUALITE SUPERIEURE

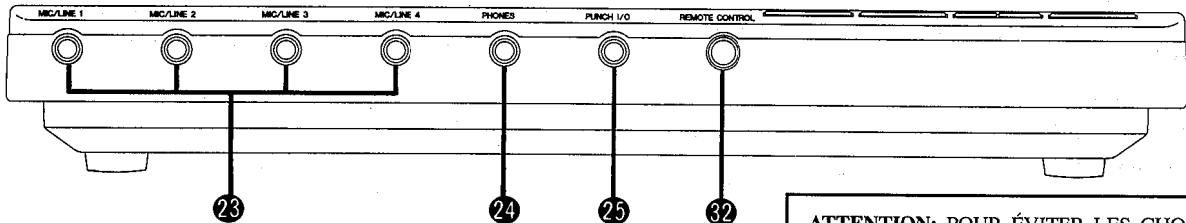
Le MT120S a été conçu pour être utilisé avec des cassettes CrO₂ (chrome) et ses performances seront moindres avec un autre type de cassette. Toujours choisir des cassettes d'une marque de confiance.

COMMANDES ET RACCORDEMENTS

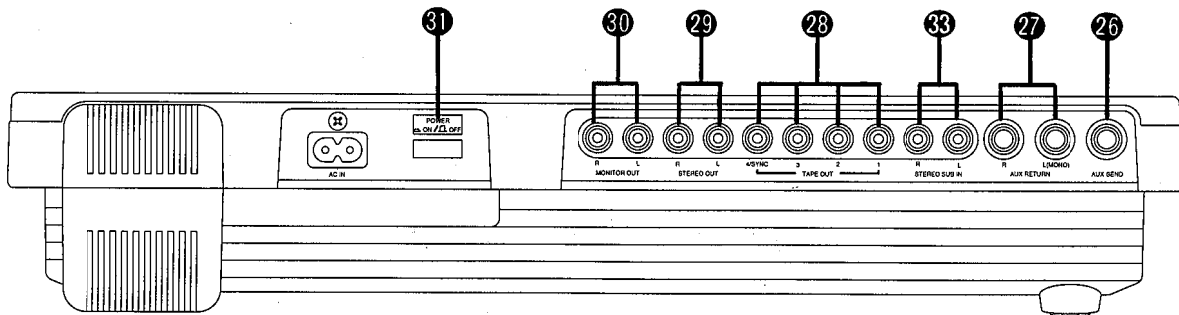
— PANNEAU DE COMMANDE —



— FACE AVANT —



— FACE ARRIERE —



ATTENTION: POUR ÉVITER LES CHOCS ÉLECTRIQUES, INTRODUIRE LA LAME LA PLUS LARGE DE LA FICHE DANS LA BORNE CORRESPONDANTE DE LA PRISE ET POUSSER JUSQU'AU FOND.

COMMANDES DU MT120S ET LEURS FONCTIONS

[Remarque] Terme "canal" et terme "piste": Dans ce manuel d'instructions, le terme "canal" se rapporte à la circuiterie et aux commandes requises par le traitement d'une source d'entrée. La section de mélange du MT120S possède quatre "canaux". Le terme "piste" se rapporte aux bandes magnétiques destinées à conserver les signaux enregistrés pour différencier les quatre "canaux" de l'étage mélangeur et les quatre "pistes" de l'étage enregistreur du MT120S. Le terme "piste" est également utilisé pour désigner les quatre "pistes" effectivement enregistrées sur la bande.

❶ Sélecteur d'entrée (INPUT SELECT)

Les sélecteurs INPUT SELECT servent à sélectionner l'entrée de chacun des quatre canaux.

TAPE: Choisir cette position pour la lecture de signaux déjà enregistrés. Quand cette position est choisie, le canal de mélange 1 reçoit la lecture de la piste 1, tandis que les canaux 2, 3 et 4 reçoivent respectivement la lecture des pistes 2, 3 et 4.

OFF: Dans cette position, le canal ne reçoit aucun signal d'entrée.

MIC/LINE: Dans cette position, le canal peut recevoir le signal d'un microphone, d'un clavier ou tout autre signal de haut niveau raccordé à la prise d'entrée.

[Remarque] Les canaux non utilisés doivent être réglés sur la position "OFF".

❷ Commandes de gain (MIC/LINE)

Les commandes de gain permettent de régler la sensibilité d'entrée des canaux afin qu'ils puissent accepter des signaux ayant des niveaux très variés, du niveau de ligne au niveau de microphone. Les commandes de gain sont utilisées conjointement aux potentiomètres d'entrée afin de régler le niveau d'enregistrement optimal pour une grande variété de sources (voir "REGLAGE DES NIVEAUX D'ENREGISTREMENT" à la page 41).

[Remarque] Une commande de gain n'affecte que le niveau du signal raccordé à la prise d'entrée.

❸ Potentiomètres d'entrée

Les potentiomètres d'entrée sont utilisés pour régler le niveau (volume) du signal du canal correspondant de l'étage mélangeur, qu'il provienne d'une source connectée à une prise d'entrée ou de l'étage enregistreur du MT120S. Les potentiomètres sont utilisés pour obtenir les niveaux optima pendant l'enregistrement et pour équilibrer (mixer) le son en provenance des pistes de l'étage enregistreur pendant la lecture d'un enregistrement. Le bruit et la distorsion sont les plus faibles possibles lorsque les potentiomètres sont réglés sur le niveau "7".

❹ Sélecteurs d'enregistrement (REC SELECT)

Les sélecteurs REC SELECT sont utilisés pendant l'enregistrement pour affecter (transmettre) les signaux en provenance de chaque canal de l'étage mélangeur, soit directement à la piste correspondante de l'étage enregistreur, soit

à une piste différente via les commandes PAN (voir "ASSIGNATION CANAL/PISTE" à la page 39).

[Remarque] Lorsqu'un des sélecteurs REC SELECT est mis sur une position autre que "OFF", le témoin à LED rouge situé au-dessus de la touche REC/PAUSE se met à clignoter pour indiquer que le MT120S est prêt pour enregistrer. L'enregistrement commence lorsque la touche PLAY est sollicitée après sollicitation de la touche REC/PAUSE. Si tous les sélecteurs REC SELECT sont mis sur la position OFF, l'appareil n'enregistrera pas même si les touches REC/PAUSE et PLAY sont sollicitées.

❺ Commandes panoramiques (PAN)

Les commandes PAN assignent le signal en provenance du canal correspondant de l'étage mélangeur à la position souhaitée dans le "champ sonore stéréo". Si une commande PAN est tournée à fond sur la position "LEFT" (gauche), le signal de ce canal ne sera appliqué qu'à la sortie de canal gauche (STEREO OUT L) du MT120S. Si une commande PAN est tournée à fond sur la position "RIGHT" (droite), le signal ne sera appliqué qu'à la sortie STEREO OUT R. Si une commande PAN est mise sur la position centrale, le signal de ce canal sera appliqué d'une manière égale aux sorties de canal gauche et de canal droit et le son semblera provenir du centre du champ sonore stéréo, c'est-à-dire, en un point à égale distance des deux enceintes acoustiques. En faisant varier le niveau du signal envoyé aux sorties des canaux gauche et droit, la commande PAN peut être utilisée pour positionner le son en tout point du spectre stéréo. Les commandes PAN peuvent également être utilisées pendant l'enregistrement pour assigner les signaux en provenance de plusieurs canaux à une seule piste de l'étage enregistreur, ou pour assigner un canal à une piste de l'étage enregistreur ayant un numéro différent (voir "ASSIGNATION CANAL/PISTE" à la page 39).

❻ Commandes de transmission auxiliaire (AUX SEND)

Les commandes AUX SEND servent principalement lors de l'addition d'effets, tels que les effets de réverbération ou d'écho, au son de chaque canal ou piste. La commande AUX SEND de chaque canal de l'étage mélangeur détermine la partie du signal de ce canal qui sera transmises à la prise AUX SEND. La prise AUX SEND doit être reliée à l'entrée d'un processeur de signaux externe, comme par exemple le processeur d'effets numérique YAMAHA EMP100 (voir "UTILISATION DE LA BOUCLE TRANSMISSION/RETOUR" à la page 48).

7 Commande de retour auxiliaire (AUX RETURN)

La commande AUX RETURN détermine le niveau auquel le signal en provenance d'un processeur de signaux externe est renvoyé et mélangé au signal de sortie stéréo principal du MT120S. La sortie d'un processeur de signaux externe transmise par la prise AUX SEND doit être reliée à la prise AUX RETURN (voir "UTILISATION DE LA BOUCLE TRANSMISSION/RETOUR" à la page 48).

8 Sélecteur d'écoute de contrôle (MONITOR SELECT)

MONITOR: Cette position est choisie pour écouter les quatre pistes de l'étage enregistreur. Dans cette position, un mélange des quatre commandes MONITOR est transmise à la prise PHONES et à la prise MONITOR OUT.

MIX: Cette position est choisie pour écouter la combinaison des quatre pistes de l'étage enregistreur et les sources d'entrée raccordées aux prises d'entrée. Le mélange en provenance des commandes MONITOR est combiné à la sortie stéréo de l'étage mélangeur et transmis à la prise PHONES et à la prise MONITOR OUT.

STEREO: Cette position est utilisée pour contrôler la sortie stéréo de l'étage mélangeur. Dans cette position, le mélange envoyé à la prise MONITOR OUT et à la prise PHONES est le même mélange envoyé aux prises STEREO OUT.

9 Commandes de monitoring (MONITOR 1 — 4)

Les quatre commandes MONITOR déterminent le niveau des signaux provenant des pistes de l'étage enregistreur correspondantes et qui sont transmis à la prise PHONES et aux prises MONITOR OUT lorsque le sélecteur MONITOR SELECT est mis sur la position "MONITOR" ou sur la position "MIX". Les commandes MONITOR sont utilisées principalement pour régler le niveau optimal lors de l'écoute de contrôle de pistes déjà enregistrées tout en enregistrant de nouveaux matériaux (surmixage).

10 Commande de contrôle/casque (MONITOR/PHONES)

Cette commande règle le niveau du casque d'écoute et le niveau d'écoute du local de contrôle. Elle ajuste le niveau du signal transmis à la prise PHONES et aux prises MONITOR OUT, sans affecter le niveau du signal présent aux prises STEREO OUT.

11 Potentiomètre principal (MASTER)

Le potentiomètre MASTER permet de régler le niveau de sortie d'ensemble de l'étage mélangeur du MT120S et, par conséquent, le niveau du signal de sortie appliqué aux prises STEREO OUT. Le potentiomètre MASTER règle ég-

alement le niveau d'enregistrement lorsque l'un des canaux de l'étage mélangeur est assigné aux pistes de l'étage enregistreur, via les commandes PAN (voir "REGLAGE DES NIVEAUX D'ENREGISTREMENT" à la page 41).

12 Indicateurs de crête à LED

Les quatre indicateurs de crête à LED affichent d'une manière précise les niveaux de sortie des quatre pistes de l'étage enregistreur du MT120S lorsque le sélecteur METER est mis sur la position "4TR". Les indicateurs numéros 1 et 2 affichent le niveau des signaux aux sorties stéréo (prises STEREO OUT) de l'étage mélangeur lorsque le sélecteur METER est mis sur la position "ST".

Les indicateurs de crête à LED servent de guide lors du réglage des niveaux d'enregistrement optima pour l'enregistrement de matériaux nouveaux (voir "REGLAGE DES NIVEAUX D'ENREGISTREMENT" à la page 41).

13 Sélecteur d'affichage (METER)

Lorsque le sélecteur METER est mis sur la position "ST", les indicateurs 1 et 2 affichent le niveau des signaux apparaissant aux sorties stéréo (prises STEREO OUT) de l'étage mélangeur. Lorsqu'il est mis sur la position "4TR", les quatre indicateurs de crête à LED affichent le niveau des pistes correspondantes de l'étage enregistreur.

14 Interrupteur dbx (dbx)

L'interrupteur dbx commande l'activation/désactivation du circuit interne de réduction du bruit dbx du MT120S. Pendant la lecture ou l'enregistrement normal à l'aide du MT120S, l'interrupteur dbx doit être mis sur "ON". Ceci permet d'obtenir un rapport signal/bruit considérablement amélioré (jusqu'à 85 dB) de sorte que les enregistrements seront plus clairs, avec très peu de sifflement de bande.

Si le circuit de réduction de bruit dbx est activé pendant l'enregistrement synchronisé, mettre ce commutateur sur "SYNC".

Pour que le système de réduction de bruit dbx soit efficace, il doit être activé aussi bien pendant l'enregistrement et que pendant la lecture. L'interrupteur dbx doit être mis sur "OFF" pendant la lecture de bandes enregistrées sur un autre appareil et non codées dbx.

"Pour un enregistrement synchronisé sans erreur"

- Lors de l'enregistrement du signal FSK, régler le niveau d'enregistrement de la piste 4 entre 0 et +3 dB.
- Pour l'enregistrement et la reproduction du signal FSK de la piste 4, régler le commutateur dbx sur "SYNC".
 - * Lorsque le commutateur dbx est réglé sur "SYNC", les pistes 1 à 3 sont réglées sur dbx ON.
- Lorsque le commutateur dbx est réglé sur la position "SYNC", ne pas enregistrer de signaux (musique, etc.) autres que le signal FSK sur la piste 4.
- Si d'autres signaux (musique, etc.) doivent être enregistrés pendant l'enregistrement du signal FSK, éviter si possible d'utiliser les pistes adjacentes.

15 Commande d'arrêt sur zéro (ZERO STOP)

La commande ZERO STOP permet de retrouver rapidement un point spécifique d'une bande au cours du rebobinage. Pour utiliser la fonction ZERO STOP, reproduire la bande jusqu'au point souhaité et remettre le compteur de bande sur "000" en appuyant sur la touche RESET. Au cours du rebobinage, avec la touche ZERO STOP enclenchée, la bande s'arrête automatiquement lorsque le compteur atteint "999" environ (peut dévier légèrement en fonction du mou de la bande). Cette fonction est particulièrement pratique dans le cas d'un enregistrement multipiste du fait qu'il est nécessaire de rebobiner constamment la bande jusqu'au même point.

16 Sélecteur de vitesse de défilement (TAPE SPEED)

Le sélecteur TAPE SPEED permet de sélectionner soit la vitesse de défilement standard de 4,8 cm/sec, soit la vitesse spéciale du MT120S de 9,5 cm/sec. Utiliser la vitesse standard (4,8) pour la lecture de bandes enregistrées sur magnétocassettes standards ou pour des raisons d'économie de bande. Utiliser la vitesse élevée (9,5) pour obtenir une meilleure qualité sonore. L'amélioration de la qualité sonore que donne la vitesse de défilement élevée est assez importante et nous préconisons d'utiliser cette vitesse pour tous les enregistrements importants.

[Remarque] Ne jamais modifier le réglage du sélecteur TAPE SPEED pendant qu'une bande défile.

17 Commande de vitesse de défilement (PITCH)

La commande PITCH fait varier la vitesse de défilement de la bande de environ $\pm 10\%$, ce qui permet "d'accorder" les matériaux enregistrés avec le MT120S en fonction de la hauteur tonale d'instruments de musique, ou de légèrement prolonger ou réduire le temps de passage d'un enregistrement à des fins de synchronisation. La vitesse de défilement est normale lorsque la commande PITCH est à la position centrale marquée par un déclic. Pour accélérer la vitesse de défilement faire coulisser la commande vers l'extrémité "+" de l'échelle et pour la réduire la faire coulisser vers l'extrémité "-".

18 Interrupteur d'égalisation (EQ)

Cette touche permet de mettre l'égaliseur graphique en ou hors circuit.

19 Egaliseur graphique

L'égaliseur graphique sert à adapter le signal à supporter ou à s'intégrer à un mélange. L'égaliseur graphique du MT120S est un moyen efficace qui permet d'augmenter ou de diminuer les composants du signal jusqu'à environ 10 dB, sur cinq bandes de fréquences. Il peut être enclenché pour accentuer les signaux quand ils sont enregistrés sur bande et une fois de plus, à la lecture.

[Remarque] Quand il est enclenché, l'égaliseur graphique peut affecter les signaux acheminés vers la bande via

les commandes PAN, à condition que les sélecteurs REC SELECT soient réglés sur "L" ou "R". L'égaliseur graphique n'affecte pas les signaux acheminés vers la bande via les sélecteurs REC SELECT réglés sur "1 - 4".

20 Commandes de défilement

Ces touches au toucher électronique assurent un contrôle précis et en douceur des fonctions du transport de bande.

Touche d'enregistrement (REC/PAUSE): Quand vous actionnez cette touche pendant l'arrêt de la bande, l'appareil passe en mode prêt à l'enregistrement. Si vous l'actionnez pendant l'enregistrement (appuyez d'abord sur REC/PAUSE, puis sur PLAY), l'enregistrement peut être interrompu temporairement. Pour reprendre l'enregistrement, appuyez sur PLAY.

Elle sert également à passer en mode de simulation et à en sortir, pour simuler un enregistrement ou un point de punch-in/out sans effectuer l'enregistrement. Pour passer en mode de simulation ou en sortir, tenez la touche REC/PAUSE enfoncée et appuyez sur PLAY.

Témoin d'enregistrement (REC/PAUSE): Suivant sa couleur et son état (allumé, clignotement lent/rapide/double, éteint), ce témoin indique un des cinq modes suivants, en mode enregistrement (rouge) ou simulation (jaune):

- **Témoin allumé:** Une piste au moins est en mode d'enregistrement et la touche REC/PAUSE a été actionnée (mode prêt à l'enregistrement). Ou bien, si le témoin PLAY est également allumé, l'enregistrement (ou l'enregistrement simulé) est en cours.
- **Clignotement lent:** Une piste au moins est en mode d'enregistrement et la touche REC/PAUSE n'a pas été actionnée. Si la touche PLAY est actionnée, l'appareil ne passe pas en mode d'enregistrement mais en mode de lecture.
- **Clignotement rapide:** Mode d'attente de punch-in.
- **Clignotement double:** La pédale est raccordée à la prise PUNCH I/O, tous les sélecteurs REC SELECT sont réglés sur OFF et la touche REC/PAUSE a été actionnée.
- **Témoin éteint:** Aucune piste n'est en mode d'enregistrement.

[Remarque] Si le mode simulation a été choisi (témoin REC/PAUSE jaune), toutes les fonctions sont activées exactement de la même manière mais l'enregistrement n'est pas effectué.

[Remarque] Le mode d'enregistrement ne peut pas être activé si la cassette est protégée (languette de protection en place).

[Remarque] Seules les pistes pour lesquelles le sélecteur REC SELECT est en position d'enregistrement seront enregistrées quand le mode d'enregistrement sera activé.

Touche de lecture (PLAY): Cette touche vous permet de sélectionner trois fonctions: début de lecture, début d'enregistrement et début de punch-in/punch-out.

- **Début de lecture:** La lecture commence sur la piste réglée en mode de lecture (sélecteur REC SELECT positionné sur OFF).
- **Début d'enregistrement:** Si le témoin REC/PAUSE est allumé en continu, appuyez sur PLAY pour commencer l'enregistrement de toutes les pistes réglées en mode d'enregistrement (les sélecteurs REC SELECT ne sont pas positionnés sur OFF). Si le mode de simulation a été sélectionné (témoin REC/PAUSE jaune), l'enregistrement n'a pas lieu mais vous pouvez le simuler.
- **Début de punch-in/punch-out:** Si le témoin REC/PAUSE clignote, appuyez sur PLAY pour activer le mode punch-in/punch-out. Le punch-in ne commence véritablement que quand vous utilisez une des méthodes de la page 49.

Témoin PLAY: Selon son état (allumé, clignotement rapide/lent), ce témoin indique un des 3 modes suivants:

- **Témoin allumé:** La touche PLAY a été sollicitée.
- **Clignotement rapide:** La touche FF et la touche REW ont été sollicitées pendant la reproduction (mode CUE/REVIEW).
- **Clignotement lent:** Clignote pendant environ 4 secondes après la mise sous tension grâce à la touche POWER (les touches ne peuvent pas être utilisées pendant cette période).

Rembobinage (REW): Appuyer sur cette touche pour rebobiner la bande. Si la commande ZERO STOP est mise sur "ON", la bande s'arrêtera automatiquement lorsque le compteur atteint "999" environ.

Avance rapide (FF): Appuyer sur cette touche pour faire défiler rapidement la bande. Si cette touche est sollicitée pendant la lecture, le matériau enregistré sur la bande restera audible mais à une vitesse accélérée.

Arrêt (STOP): Arrête immédiatement le défilement de la bande ou libère le mode d'enregistrement.

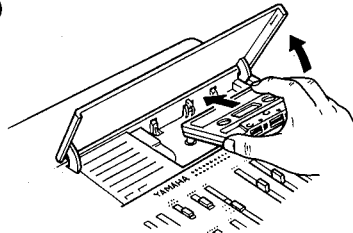
21 Compteur de bande et touche de remise à zéro (RESET)

Ce compteur de bande à trois chiffres permet de repérer facilement la position de la bande. Il est conseillé de noter les indications du compteur pour tous les points importants d'un enregistrement afin de pouvoir les retrouver facilement plus tard. La touche RESET permet de remettre le compteur à "000" sur la position à laquelle se trouve la bande. Cette fonction est particulièrement commode pour retrouver un point spécifique d'une bande lorsqu'elle est utilisée en conjonction avec la fonction ZERO STOP.

22 Compartiment de cassette

La cassette est mise en place dans ce compartiment. Utiliser uniquement des cassettes au chrome (CrO₂) de qualité supérieure. Tout autre type de cassette ne permettra pas d'obtenir une réponse de fréquence optimum ainsi que la

performance signal sur bruit. Une languette se trouve sur le côté droit du volet du compartiment. Soulever le volet à l'aide de cette languette. Introduire la cassette avec son bord ouvert (le côté où la bande est visible) dirigé vers les commandes de défilement. Ensuite, pousser le bord arrière de la cassette sous le doigt de retenue central à l'arrière du compartiment et pousser ensuite le bord avant. (VOIR SCHEMA)



[Remarque] Du fait que le MT120S utilise toute la largeur de la bande pour enregistrer quatre pistes, la cassette ne peut être enregistrée que d'un seul côté. Si on tente de retourner la cassette et d'enregistrer de l'autre côté, tout l'enregistrement déjà effectué sera effacé.

23 Prises d'entrée MIC/LINE 1 — 4

Ces quatre prises d'entrée acceptent des signaux en provenance de microphones, ou de sources de haut niveau, comme des claviers électroniques, des guitares électroniques, des basses et des lecteurs de cassette. Les quatre entrées sont des prises téléphoniques monaurales standard de 1/4 de pouce. Lorsqu'une source est branchée à l'une de ces prises, son signal est transmis au canal correspondant de l'étage mélangeur du MT120S.

24 Prise de casque (PHONES)

Un casque d'écoute stéréo ayant une impédance comprise entre 8 et 40 ohms peut être connecté à cette prise. Le monitoring par casque est le moyen le plus pratique d'écouter les divers signaux du MT120S, et dans ce but nous préconisons vivement l'achat d'un casque d'écoute comme le YAMAHA RH5M ou MH100.

25 Prise de pédale (PUNCH I/O)

Une pédale YAMAHA FC4 ou FC5 en option peut être connectée à cette prise afin de pouvoir commander au pied l'enregistrement punch-in/punch-out (voir "ENREGISTREMENT PUNCH-IN/PUNCH-OUT" à la page 49).

26 Prise de transmission auxiliaire (AUX SEND)

27 Prises de retour auxiliaire

(AUX RETURN R et L (MONO))

Les prises AUX SEND et AUX RETURN facilitent l'utilisation d'un processeur de signaux externe (comme par exemple le processeur d'effets numérique YAMAHA EMP100) afin d'ajouter des effets aux signaux du MT120S.

La prise AUX SEND doit être reliée à l'entrée du processeur de signaux et la sortie du processeur de signaux à la prise AUX RETURN. Si le processeur de signaux est à sortie mono, il doit être connecté à la prise AUX RETURN L (MONO) (voir "UTILISATION DE LA BOUCLE TRANSMISSION/RETOUR" à la page 48).

28 Prises de sortie de bande (TAPE OUT 1 — 4)

Les quatre prises TAPE OUT sont les sorties directes des pistes correspondantes de l'étage enregistreur du MT120S. Ces prises permettent de transmettre la sortie des quatre pistes de l'étage enregistreur à une console de mixage externe. Les prises TAPE OUT peuvent également être utilisées pour transmettre chaque piste de l'étage enregistreur à des processeurs de signaux externes, dont les sorties peuvent être ensuite retournées aux entrées de l'étage mélangeur du MT120S.

29 Prises de sortie stéréo (STEREO OUT R et L)

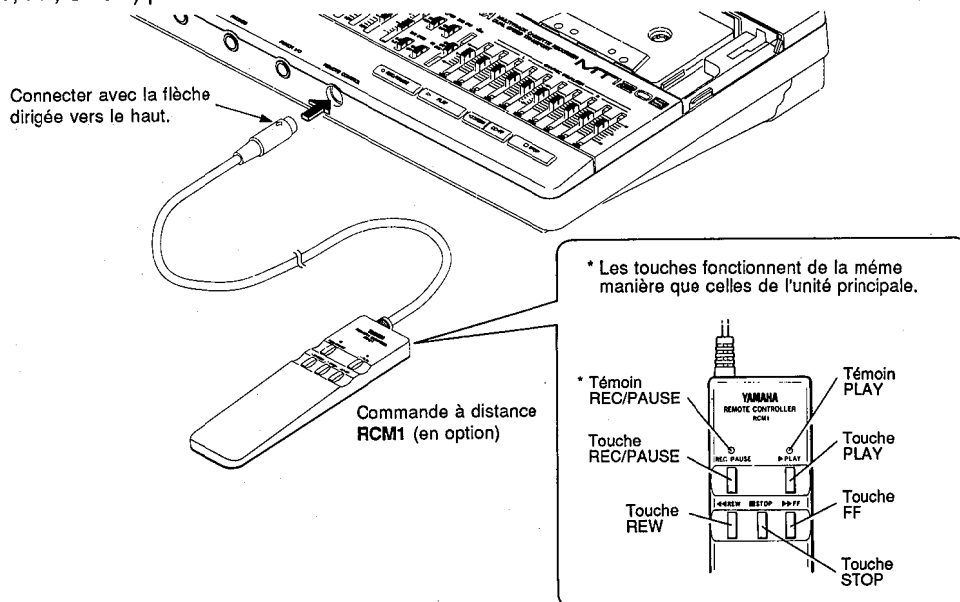
Ces prises sont les sorties principales du MT120S; elles fournissent les signaux de sortie stéréo en provenance de l'étage mélangeur du MT120S. Les prises STEREO OUT, du type RCA à broches, peuvent être reliées à une chaîne audio stéréo pour la surveillance et l'écoute. Il est possible d'enregistrer un mélange des pistes de la bande quand ces prises sont reliées aux entrées d'un enregistreur stéréo.

30 Prises de sortie d'écoute de contrôle (MONITOR OUT L et R)

Ces prises de sortie fournissent le même signal que celui transmis à la prise PHONES (au niveau de ligne). Le niveau (volume) de sortie peut être réglé au moyen de la

32 Connecteur de commande à distance (REMOTE CONTROL)

Lorsque la commande à distance RCM1 en option est connectée, toutes les opérations de défilement de la bande (REC/PAUSE, PLAY, REW, FF, STOP) peuvent être commandées à distance.



* Le témoin REC/PAUSE ne change pas de couleur en mode simulation comme celui de l'appareil principal. Pour éviter toute confusion, observez la couleur du témoin sur l'appareil principal.

33 Prises d'entrée secondaires (STEREO SUB IN)

Ces prises vous donnent la possibilité d'ajouter une source sonore stéréo au mixage. Vous pouvez y raccorder la sortie d'un second effecteur ou d'une autre table de mixage. Si vous exploitez un synthétiseur à partir d'un séquenceur qui prend le MTC de la piste 4 sur la bande, les prises SUB IN vous permettent d'ajouter la sortie du synthétiseur au mixage final sans sacrifice dû à une bande détendue (voir page 47).

commande MONITOR/PHONES. Les prises MONITOR OUT peuvent être reliées à une chaîne audio stéréo pour le monitoring ou l'écoute normale. Ce sont des prises de type à broches RCA.

31 Interrupteur d'alimentation (POWER)

Appuyer une première fois sur l'interrupteur POWER pour mettre l'appareil sous tension et une deuxième fois pour le mettre hors tension. Lorsque le MT120S est sous tension, le témoin d'alimentation à LED, situé au-dessus des indicateurs de crête sur le panneau supérieur du MT120S, s'allume. S'assurer que tous les potentiomètres d'entrée sont réglés sur "0" et que la commande de niveau AUX RETURN est réglée sur "MIN" avant de mettre l'appareil sous tension.

[Remarque] Lorsque l'appareil est mis sous tension, une fonction d'initialisation est activée, ce qui signifie que l'appareil ne peut pas être utilisé pendant environ 4 secondes. Le témoin PLAY clignote lentement pendant l'initialisation.

EXEMPLES DE RACCORDEMENT

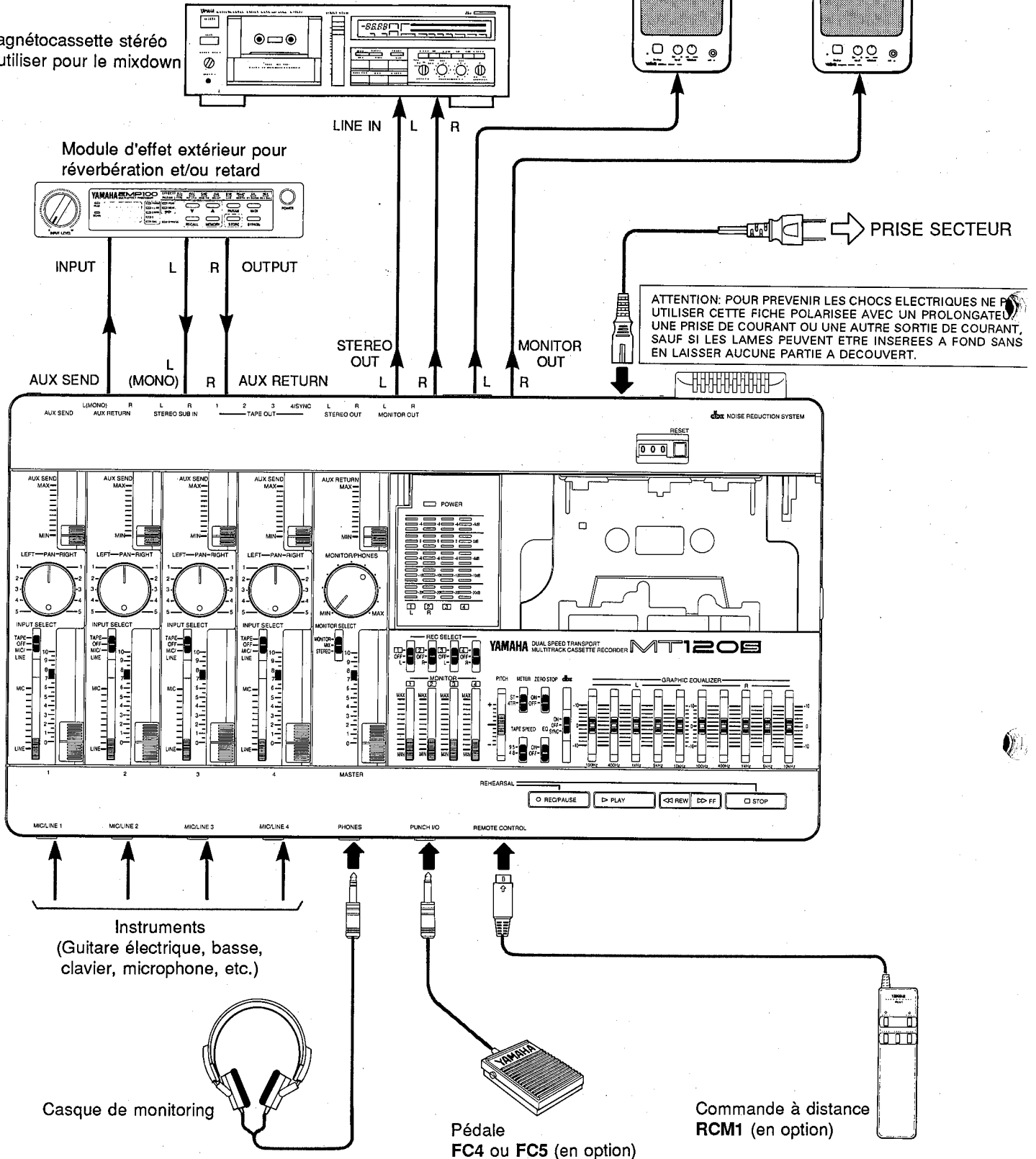
CONNEXIONS DE BASE

* Mettre tous les appareils hors tension avant d'effectuer les raccords.

Magnétocassette stéréo
à utiliser pour le mixdown

Module d'effet extérieur pour
réverbération et/ou retard

Système ampli/enceintes de contrôle



QUELQUES REMARQUES SUR LES CASSETTES

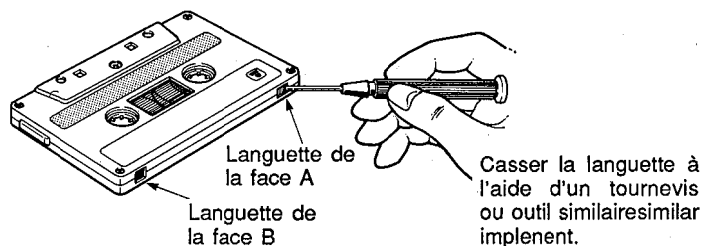
Cet appareil a été conçu pour être utilisé uniquement avec des bandes au chrome et il ne fonctionnera pas correctement avec des bandes de type ferrochrome. Des bandes CrO₂ (Polarisation: ELEVEE; EQ: 70 μs) doivent être utilisées. En outre, l'utilisation de bandes ayant une durée supérieure à 90 minutes (C-120, etc.) n'est pas conseillée du fait que ces bandes ont des performances médiocres et qu'elles risquent de provoquer des pannes de l'appareil.

● Prévention contre l'effacement accidentel d'un enregistrement

Pour prévenir tout effacement accidentel d'enregistrements précieux, toutes les cassettes sont pourvues de languettes de protection situées sur leur bord supérieur. Lorsqu'une de ces languettes est cassée, à l'aide d'un tournevis ou de tout autre outil approprié, il est impossible d'enregistrer sur la face correspondante de la bande. Ceci empêche tout effacement accidentel d'un enregistrement. Dans le cas d'un enregistrement à 4 pistes, il est nécessaire de casser les languettes de protection de la face A et de la face B de la bande.

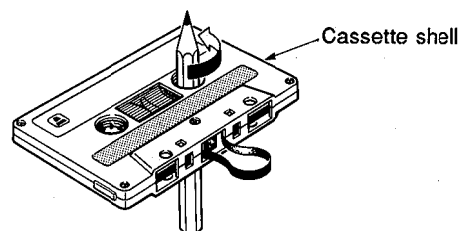
Pour enregistrer sur une cassette dont les languettes de protection ont été cassées, recouvrir l'orifice (à la place des languettes) avec un morceau de ruban adhésif.

● PREVENTION CONTRE L'EFFACEMENT ACCIDENTEL D'UNE BANDE



● Reprise du mou d'une bande

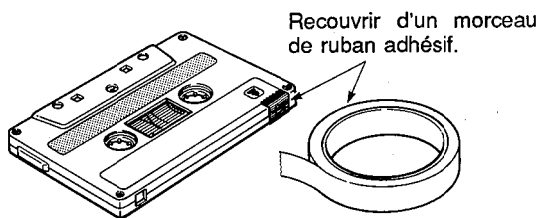
Si une bande est utilisée alors qu'elle présente du mou, ou qu'un morceau de la bande est sorti de la cassette, la bande risque de s'enrouler autour du cabestan ou du galet-presseur. Afin d'empêcher cela, introduire un crayon ou un stylo à bille dans le centre d'une des bobines et le tourner pour reprendre le mou de la bande.



● Rangement des cassettes

Pour empêcher que la bande prenne du mou après l'utilisation, ranger les cassettes dans leurs boîtes. Ne pas ranger les cassettes en plein soleil, ou dans des endroits soumis à une humidité ou des températures excessives, car cela pourrait endommager la bande. Conserver également les bandes loin de toutes sources de champ magnétique, telles que récepteur de télévision, enceintes acoustiques, car les enregistrements pourraient être effacés ou quelque peu altérés.

● ENREGISTREMENT SUR UNE CASSETTE DONT LES LANGUETTES ONT ÉTÉ CASSEES



METHODE D'ENREGISTREMENT

Pour les détails relatifs à l'exploitation des commandes du MT120S, se reporter à la page 31 "COMMANDES DU MT120S ET LEURS FONCTIONS".

Enregistrer au moyen du MT120S est une opération très simple. Il suffit d'avoir le MT120S, un casque d'écoute et un instrument ou un microphone, ou une autre source de signaux.

L'essentiel de la méthode d'enregistrement multipiste peut être résumé de la manière suivante:

1. Enregistrement de la première piste

- a) Sélection de l'assignation canal à piste pour la source d'entrée
- b) Réglage du niveau d'enregistrement
- c) Enregistrement

2. Surmixage des pistes restantes

- a) Assignation canal/piste pour chaque surmixage
- b) Réglage du niveau d'enregistrement de chaque surmixage
- c) Enregistrement des surmixages

3. Combinaison de piste

- a) Le cas échéant, utiliser la technique en ping-pong pour combiner les pistes et les nettoyer pour y effectuer des surmixages supplémentaires.

4. Mixdown

- a) Réglage en vue de l'écoute de contrôle du mixage
- b) Préparation d'un mixage approximatif et addition d'effets
- c) Préparation définitive et répétition du mixage
- d) Raccordement des prises STEREO OUT du MT120S à un magnétocassette stéréo
- e) Enregistrement (sur un magnétocassette stéréo à partir du MT120S)

Ces étapes (de même que la signification des termes d'enregistrement utilisés) seront expliquées en détail plus loin, aussi il est conseillé de lire les chapitres suivants dans l'ordre, afin de se faire une idée claire de la méthode d'enregistrement.

ENREGISTREMENT DE LA PREMIERE PISTE

ETAPE 1: ASSIGNATION CANAL/PISTE

La première étape de tout enregistrement est d'assigner le canal auquel l'instrument, ou autre source, est connecté à une des pistes de l'étage enregistreur.

Selon ce qui est enregistré, il peut s'avérer nécessaire d'enregistrer un seul instrument, ou autre source, sur une seule piste de la bande, ou de combiner plusieurs instruments, ou plusieurs autres sources, et de les enregistrer sur une même piste. Le MT120S offre deux méthodes "d'assignation canal/piste".

Assignation canal/piste directe

Avec cette méthode, les signaux de l'instrument ou de la source connecté à un des canaux de l'étage mélangeur sont appliqués directement à la piste de l'étage enregistreur ayant le même numéro. Il est possible de cette manière d'enregistrer une seule piste ou les quatre pistes simultanément. Avec cette méthode, une seule source d'entrée peut être enregistrées sur une seule piste.

Dans le cas d'assignation canal/piste directe, les sélecteurs REC SELECT sont réglés sur un "numéro" (1, 2, 3 ou 4). Par exemple, si le sélecteur REC SELECT du canal 1 est mis sur "1", les signaux du canal 1 seront directement transmis à la piste 1 de l'étage enregistreur. Il en est de même pour tous les autres canaux et pistes.

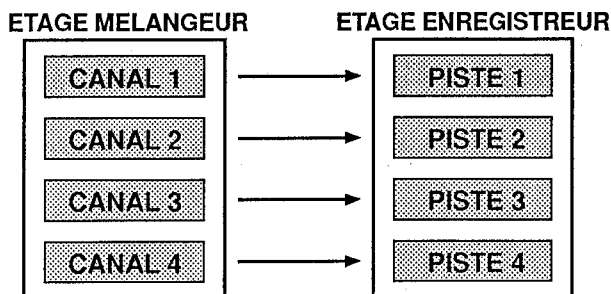
Assignation canal/piste panoramique

La méthode d'assignation canal/piste panoramique permet d'affecter plusieurs des canaux de l'étage mélangeur à une seule piste de l'étage enregistreur, ou un seul canal à une piste de numéro différent.

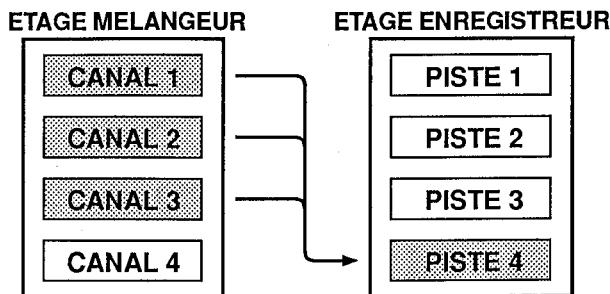
Chaque sélecteur REC SELECT est soit sur la position "L", soit sur la position "R". Ces positions correspondent aux canaux gauche (L) et droit (R) de la sortie de l'étage mélangeur. Si le sélecteur REC SELECT de la piste 1 est mis, par exemple, sur la position "L", la piste 1 va recevoir les signaux "balayés" vers la gauche. Par conséquent, il est possible d'assigner le canal 1 à la piste 4 en mettant le sélecteur REC SELECT du canal 4 sur "R" et la commande PAN du canal 1 à fond sur la position "RIGHT". En outre, les autres canaux dont la commande PAN est réglée sur "RIGHT" seront également enregistrés sur la piste 4 si les potentiomètres de ces canaux sont relevés. L'exemple d'assignation illustré ci-dessous est obtenu en mettant le sélecteur REC SELECT du canal 4 sur "R" et les commandes PAN des canaux 1, 2 et 3 à fond sur la position "RIGHT". La commande PAN du canal 4 est mise à fond sur la position "LEFT" afin d'empêcher que ses signaux soient dirigés vers la piste 4 de l'étage enregistreur.

[Remarque] Lorsqu'un sélecteur REC SELECT est réglé sur "L" ou "R", la piste enregistre également les signaux en provenance du canal GAUCHE ou du canal DROIT de la boucle de retour AUX.

De ce fait, il est possible d'enregistrer des effets parallèlement aux sources d'entrée.



ASSIGNATION CANAL/PISTE DIRECTE



ASSIGNATION CANAL/PISTE PANORAMIQUE

ETAPE 2: PREPARATION DU SYSTEME D'ECOUTE DE CONTROLE

Une fois qu'une source est connectée à un canal d'entrée et que ce canal est assigné à une des pistes de l'étage enregistreur, il est nécessaire de préparer le système de monitoring qui permettra de contrôler la piste au fur et à mesure de l'enregistrement.

Le MT120S permet de contrôler les matériaux enregistrés par l'intermédiaire soit d'un casque d'écoute branché à la prise PHONES, soit d'un système de sonorisation avec enceintes connecté aux prises MONITOR OUT. Le niveau qui apparaît aux prises PHONES et MONITOR OUT est contrôlé par la commande MONITOR/PHONES. Le sélecteur MONITOR SELECT possède trois positions qui permettent d'enregistrer uniquement des pistes (position MONITOR), des sources d'entrée (position STEREO), ou une combinaison (position MIX).

MONITOR: Dans cette position seule la sortie des quatre pistes de l'étage enregistreur est envoyée directement à la prise PHONES et aux prises MONITOR OUT via les quatre commandes MONITOR. Les commandes MONITOR sont utilisées pour préparer le "mixage" de monitoring. Ce réglage est idéal pour le monitoring général au cours de l'enregistrement, parce qu'il permet d'écouter les quatre pistes de bande tout en laissant les potentiomètres d'entrée disponibles pour acheminer les sources du signal à la bande. Les informations déjà enregistrées sur toute piste de la bande sont envoyées à la prise PHONES et aux prises MONITOR OUT par l'intermédiaire des commandes MONITOR correspondantes. Dans ce cas, une source d'entrée ne peut être entendue que lorsqu'elle est assignée à une piste par le sélecteur REC SELECT adéquat et que l'appareil soit en mode RECORD ou RECORD/PAUSE.

MIX: La sortie des quatre pistes de l'étage enregistreur (via les commandes MONITOR) et la sortie stéréo de l'étage mélangeur sont toutes deux transmises à la prise PHONES et aux prises MONITOR OUT.

STEREO: Seule la sortie stéréo de l'étage mélangeur est transmise à la prise PHONES et aux prises MONITOR OUT. Ce réglage est pratique pour effectuer le mixdown d'un enregistrement multipiste terminé, car il permet d'écouter le mixage produit par les potentiomètres d'entrée de l'étage mélangeur avec les effets ajoutés au moyen des commandes AUX SEND et AUX RETURN pendant la réalisation du mixage.

[Remarque] Des enceintes ne devraient pas être utilisées pour le monitoring lorsque l'enregistrement doit se faire par microphone, du fait que le son de contrôle sera piqué par le microphone ce qui gâchera l'enregistrement.

ETAPE 3: REGLAGE DES NIVEAUX D'ENREGISTREMENT

Le réglage de niveaux d'enregistrement optima est absolument essentiel pour obtenir un enregistrement dont la qualité sera la meilleure possible.

1. Veiller à ce qu'une cassette soit installée dans le compartiment et qu'elle est bobinée jusqu'au point à partir duquel l'enregistrement doit commencer. Il est conseillé d'appuyer sur la touche RESET pour remettre le compteur à "000", afin de pouvoir repérer automatiquement par la suite le début de l'enregistrement, en utilisant la fonction ZERO STOP.
2. Régler le potentiomètre d'entrée du canal à utiliser sur la position minimale ("0") et pousser la commande de gain MIC/LINE à fond vers "LINE".
3. Appuyer sur la touche REC/PAUSE. Ceci active le circuit d'enregistrement du MT120S et place l'appareil en mode RECORD/PAUSE. La bande ne bouge pas. Reproduire la source au niveau plus haut que celui auquel elle sera reproduite au cours de son enregistrement.
4. Régler le potentiomètre MASTER à "7" ou "8" et augmenter progressivement le réglage du potentiomètre d'entrée jusqu'à ce que la source puisse être entendue et que l'indicateur de crête à LED s'allume. Si la source est un instrument électrique (guitare ou basse) ou un microphone, il est possible qu'il soit nécessaire de faire coulisser la commande MIC/LINE vers la position MIC afin d'obtenir une lecture suffisamment élevée. Régler le potentiomètre d'entrée et la commande de gain MIC/LINE de manière à ce que la lecture de l'indicateur soit généralement entre "0" et "+3". Idéalement parlant, le potentiomètre d'entrée devrait être réglé à "7" ou "8" pour obtenir la lecture indiquée ci-dessus. Ceci a pour but d'assurer le rapport signal/bruit le meilleur possible tout en laissant une plage positive et négative suffisante pour effectuer les réglages ultérieurs. Si le réglage du potentiomètre est loin des valeurs préconisées, essayer d'utiliser la commande de volume de l'instrument ou autre source pour obtenir la lecture optimale avec le potentiomètre réglé entre "7" et "8". Lorsque tous les réglages ont été effectués, appuyer sur la touche STOP pour libérer l'état RECORD/PAUSE.

ETAPE 4: ENREGISTREMENT

Dès qu'une cassette a été installée, qu'un canal d'entrée a été assigné à une piste d'enregistrement, que les réglages de surveillance ont été vérifiés et que le réglage du niveau d'enregistrement optimum a été posé, il ne reste plus qu'à enregistrer.

[Remarque] Veiller à ce que la commande PITCH soit sur "OFF" (position centrale) pendant l'enregistrement de la première piste.

1. Appuyer sur la touche REC/PAUSE et ensuite sur la touche PLAY pour lancer l'enregistrement, attendre quelques secondes et commencer à jouer.
2. Lorsque l'enregistrement de la piste est terminé, appuyer sur la touche STOP, mettre le sélecteur REC SELECT de la piste qui vient d'être enregistrée sur "OFF", rembobiner la bande (la bande s'arrêtera automatiquement lorsque le compteur atteint "999" environ si la commande ZERO STOP est sur "ON").
3. Lancer la lecture de l'enregistrement (appuyer sur la touche PLAY) et l'écouter pour vérifier que tout est bien comme prévu.

[Remarque] Si l'on envisage d'enregistrer avec des microphones et que l'on va surveiller dans le même local où les microphones sont installés, utiliser un casque d'écoute au cours de l'enregistrement. Si des enceintes acoustiques sont utilisées pour surveiller l'enregistrement, leur son peut revenir au microphone et détériorer la qualité de l'enregistrement.

SURMIXAGE

Le surmixage est un procédé qui consiste à enregistrer une nouvelle piste (ou plusieurs) tout en monitorant les pistes déjà enregistrées. En cas d'enregistrement sur quatre pistes, il est possible de surmixer sans problème la deuxième, la troisième et la quatrième pistes. Par contre, en cas d'utilisation de la technique d'enregistrement en "ping-pong" en vue d'enregistrer sur plus de quatre pistes, n'enregistrer que trois pistes et passer ensuite à l'étape en ping-pong (voir "ENREGISTREMENT EN PING-PONG" à la page 43).

1. Connecter l'instrument ou autre source à enregistrer à une entrée de canal disponible.
2. S'assurer que les sélecteurs REC SELECT des pistes déjà enregistrées sont sur la position "OFF" afin qu'elles ne puissent pas être effacées lors de l'enregistrement de la nouvelle piste.
3. Faire l'assignation canal/piste pour la nouvelle piste.
4. Vérifier les réglages de monitoring pour s'assurer qu'il sera possible de contrôler aussi bien la piste (ou les pistes) déjà enregistrée que la nouvelle piste à enregistrer (le sélecteur MONITOR SELECT doit normalement être sur la position MONITOR).
5. Régler le niveau d'enregistrement de la nouvelle piste.
6. Il est possible maintenant de "répéter" le surmixage sans l'enregistrer en lançant la lecture des pistes déjà enregistrées et en jouant le nouveau morceau. Quand la commande MONITOR est sur la position MONITOR, il est impossible d'écouter la source d'entrée, sauf si le MT120S se trouve en mode RECORD ou RECORD/PAUSE. Si l'on n'est pas prêt à enregistrer le surmixage et que l'on veut écouter la nouvelle entrée avec les pistes précédemment enregistrées, placer la commande MONITOR sur la position MIX.

[Remarque] Une telle simulation diffère de la fonction de simulation pour le punch-in/punch-out (voir page 49).

7. Rembobiner la bande jusqu'au début du morceau et commencer à enregistrer.

Les mêmes étapes sont à refaire pour le surmixage des pistes 3 et 4.

ENREGISTREMENT EN PING-PONG

L'enregistrement en ping-pong est une technique permettant d'enregistrer plus de 4 parties avec une machine à 4 pistes. Cette opération s'accomplit en ré-enregistrant un mélange des pistes existantes sur une nouvelle piste. Dès que ces pistes ont été combinées de cette manière, les pistes originales peuvent être effacées, pour faire place à de nouveaux surmixages.

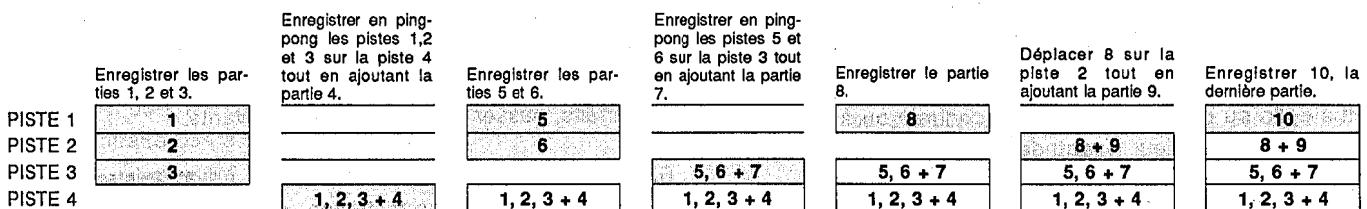
L'enregistrement en ping-pong permet, par exemple, d'enregistrer sur les pistes 1, 2 et 3 et de réenregistrer ces pistes sur la piste 4 en utilisant les commandes de mixage pour régler l'équilibre entre les 3 pistes d'origine. La piste 4 contient alors un "mixage" des 3 pistes et les pistes 1, 2 et 3 sont disponibles pour effectuer de nouveaux enregistrements. Ceci est déjà l'équivalent de 6 "pistes" sur un enregistreur à 4 pistes. Pendant le mixage des 3 premières pistes dans la piste 4, il est également possible d'ajouter un instrument via l'étage mélangeur du MT120S. Ceci permet d'avoir 4 parties enregistrées sur la piste 4 de la bande. Avec les 3 autres pistes toujours disponibles pour l'enregistrement cela donne un total de 7 pistes. Si maintenant on n'enregistre que 2 des pistes restantes et qu'on les enregistre en "ping-pong" sur la piste 3 tout en ajoutant un autre instrument, on obtient alors 4 parties sur la piste 4, 3 parties sur la piste 3, plus 2 pistes disponibles; soit un total de 9. En appliquant toujours cette méthode, il est en fait possible d'enregistrer jusqu'à 10 pistes individuelles sans réenregistrer une seule piste plus d'une fois (voir l'illustration).

[Remarque] La réalisation de l'enregistrement en ping-pong est une étape difficile car les pistes en faisant l'objet doivent être parfaitement mélangées avant de pouvoir passer à l'enregistrement des pistes suivantes. Ceci est dû au fait qu'une fois le ping-pong réalisé et le nouveau matériau enregistré sur les pistes d'origine, leur équilibre et leur son individuels ne peuvent plus être modifiés à moins de revenir en arrière et de recommencer à zéro l'enregistrement de ces pistes.

[Remarque] Il est recommandé d'enregistrer à la vitesse de 9,5 cm/sec. et avec le système dbx enclenché si l'on envisage de combiner les pistes par la technique ping-pong. Dans certaines conditions, le fait d'utiliser la vitesse de 4,8 cm/sec. avec le système de réduction de bruit libéré peut provoquer une réaction acoustique quand une piste précédemment enregistrée est ré-enregistrée sur une piste adjacente.

[Remarque] La technique d'enregistrement en ping-pong exige que les multipistes soient dirigées vers la bande par les commandes PAN. Se souvenir qu'un signal qui apparaît à la prise AUX RETURN sera aussi ajoutée aux pistes enregistrées ou manipulées en ping-pong. Pour éviter d'enregistrer un effet, placer le potentiomètre AUX RETURN sur "0" (coupé).

EXEMPLE: Enregistrement des pistes "1" à "10" par la technique en ping-pong.



EXEMPLE D'UN ENREGISTREMENT EN PING-PONG

Ci-dessous est un exemple de la manière de procéder pour réenregistrer en ping-pong sur la piste 4 les matériaux déjà enregistrés sur les pistes 1, 2 et 3.

Les commandes doivent être réglées de la manière suivante:

•Sélecteurs INPUT SELECT

Mettre les sélecteurs INPUT SELECT des canaux 1, 2 et 3 sur la position TAPE et celui du canal 4 sur la position OFF.

•Potentiomètres d'entrée

Commencer par régler les potentiomètres des canaux 1 à 3 à "7" environ et régler le potentiomètre MASTER à "0".

•Sélecteurs REC SELECT

Les sélecteurs REC SELECT des canaux 1 à 3 doivent être sur la position "OFF" et celui du canal 4 doit être sur "R".

•Commandes AUX SEND

Régler pour le moment les quatre commandes AUX SEND sur la position MIN.

•Interrupteur EQ

Le laisser commuté sur OFF pour le moment.

•Commandes PAN

Du fait que le sélecteur REC SELECT du canal 4 est réglé sur "R", les commandes PAN des canaux 1 à 3 doivent être tournées à fond dans le sens des aiguilles d'une montre (droite) pour assigner les signaux des pistes 1, 2 et 3 à la piste 4 de la bande. La commande PAN du canal 4 peut être réglée à la position centrale.

•Commande AUX RETURN

La régler pour le moment sur MIN.

•Sélecteur MONITOR SELECT

Le régler sur MIX afin de n'entendre que les signaux de l'étage enregistreur du MT120S.

•Commandes MONITOR

Tourner les commandes MONITOR des canaux 1 à 3 à fond dans le sens contraire des aiguilles d'une montre et mettre celle du canal 4 à la position centrale ou à la position donnant le meilleur niveau de contrôle.

1. Lancer la lecture de la bande. Augmenter progressivement le réglage du potentiomètre MASTER jusqu'à ce qu'il soit possible d'entendre les pistes qui viennent d'être enregistrées et que la lecture de l'indicateur du canal 4 soit aux alentours de "0" sur l'échelle. Régler la commande MONITOR 4 de manière à avoir un niveau de contrôle confortable.
2. Régler les potentiomètres des canaux 1, 2 et 3, en faisant très attention, de manière à obtenir l'équilibre voulu entre les trois premières pistes. A noter que pendant le réglage de l'équilibre entre les pistes, la lecture de l'indicateur 4 peut fluctuer considérablement. Il sera nécessaire de compenser cela lors des réglages du mixage de ping-pong à l'aide du potentiomètre MASTER.
3. A cette étape, l'interrupteur EQ peut être commuté sur ON pour rehausser la qualité sonore des pistes au fur et à mesure qu'elles sont combinées.
4. Les commandes AUX SEND des canaux peuvent servir à ajouter un effet à l'équilibre. La quantité d'effet ajouté est contrôlée par le potentiomètre AUX RETURN.
5. Lorsque tous les réglages ont été correctement effectués, rembobiner la bande jusqu'au début et lancer l'enregistrement. Attendre que l'enregistrement en ping-pong soit terminé, puis arrêter l'enregistreur. Lancer la lecture de la bande et écouter attentivement la piste qui vient de faire l'objet du ping-pong. Si quelque chose ne semble pas correct, revenir en arrière et recommencer l'enregistrement en ping-pong. Il est possible de recommencer autant de fois que nécessaire jusqu'à ce que les résultats obtenus soient parfaits, passer ensuite à l'étape suivante.
6. Surmixer et procéder, si nécessaire, à l'enregistrement en ping-pong des pistes restantes.

[Remarque] Une seule sortie (gauche ou droite) de l'effet sera enregistrée. Si le sélecteur RECORD SELECT est réglé sur "L", la sortie du processeur d'effet raccordé à la prise AUX RETURN L sera enregistrée. Par contre, si ce sélecteur est réglé sur "R", la sortie du processeur d'effet raccordé à la prise AUX RETURN R sera enregistrée.

MIXDOWN

Le "mixdown" est la dernière étape du processus d'enregistrement au cours de laquelle il est possible de mélanger et polir les sons pour créer le produit final. Un "mélange" est obtenu en équilibrant de manière précise les quatre pistes afin d'obtenir le son correct. Cet équilibrage définitif est atteint en utilisant la section mélangeur du MT120S et en la réenregistrant sur une piste stéréo conventionnelle. Les pistes peuvent être progressivement affaiblies ou accentuées, si besoin est, et une égalisation ou une réverbération d'ensemble peut être ajoutée en utilisant un processeur de signaux externe ou l'égaliseur graphique à 5 gammes du MT120S. Les commandes PAN de l'étage mélangeur peuvent être utilisées pour positionner chaque piste à l'emplacement voulu dans l'image stéréo et il est même possible de balayer un son d'un canal à l'autre afin de créer un effet dramatique.

Les commandes doivent être réglées de la manière suivante:

•Sélecteurs INPUT SELECT

Mettre tous les sélecteurs INPUT SELECT sur la position TAPE.

•Potentiomètres d'entrée

Régler tous les canaux à "0" (minimum).

•Sélecteurs REC SELECT

Tous les sélecteurs REC SELECT doivent être sur la position "OFF".

•Commandes AUX SEND

Régler pour le moment les quatre commandes AUX SEND sur la position MIN.

•Interrupteur EQ

Le laisser commuté sur OFF pour le moment.

•Commandes PAN

Commencer avec toutes les commandes PAN réglées à la position centrale.

•Potentiomètre MASTER

Le régler à "7" ou "8".

•Commande AUX RETURN

La régler pour le moment sur MIN.

•Sélecteur MONITOR SELECT

Si l'on veut surveiller le même signal qui apparaît aux prises STEREO OUT, le régler sur STEREO. Nous préconisons l'utilisation d'un système de sonorisation externe ou d'une paire d'enceintes de monitoring indépendantes (comme par exemple le système d'enceinte de monitoring YAMAHA MS101) pour effectuer le mixdown.

•Commandes MONITOR

Tourner toutes les commandes MONITOR à fond dans le sens contraire des aiguilles d'une montre.

•Sélecteur METER

ST

•Interrupteur dbx

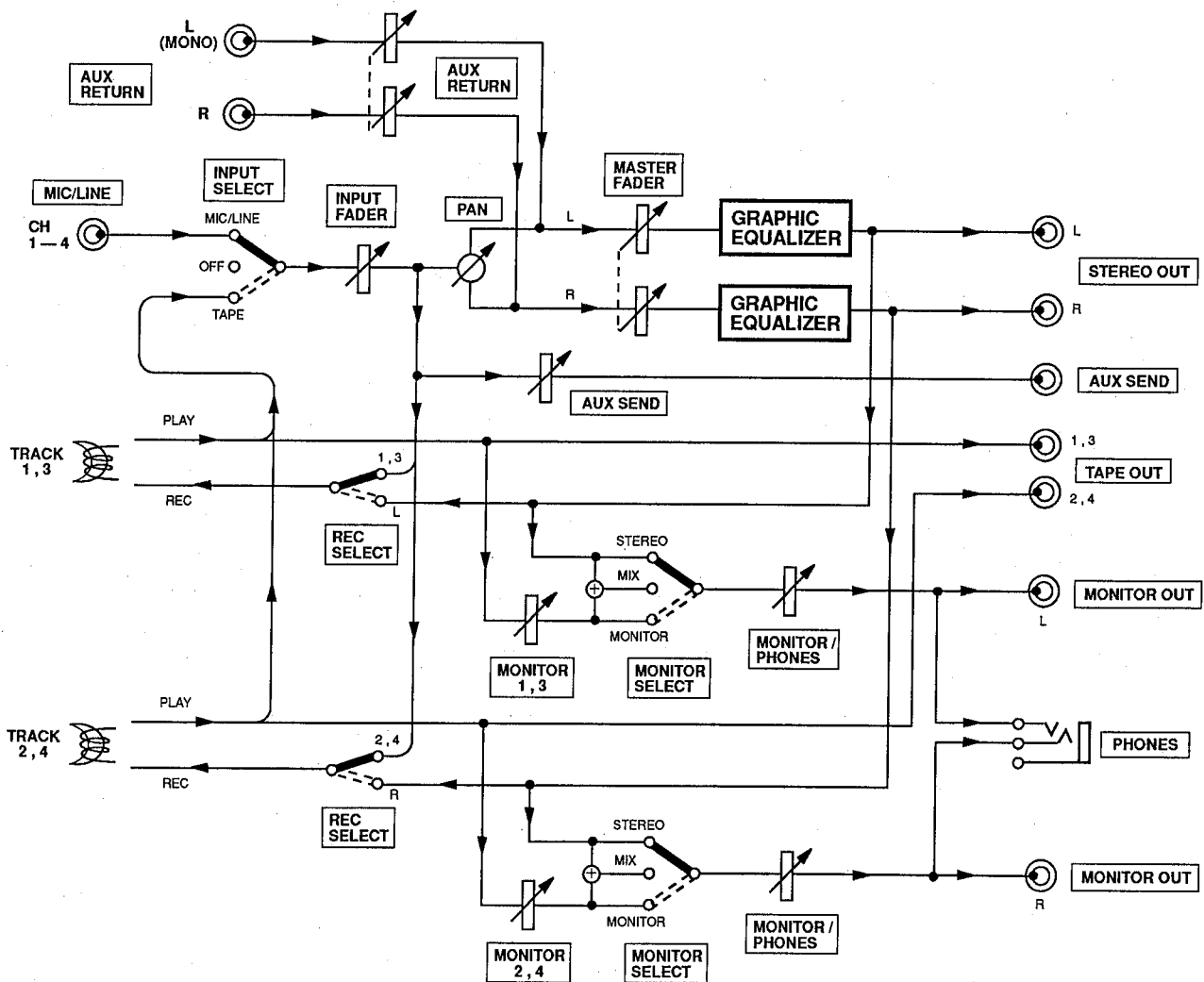
Si l'enregistrement a été commencé avec l'interrupteur dbx sur "ON" le laisser sur "ON". S'il était sur "OFF", le laisser sur "OFF".

1. Choisir une position d'écoute centrale confortable faisant face aux enceintes de monitoring.
2. Ecouter, évaluer et régler individuellement le son de chaque piste. Ceci signifie augmenter le cas échéant le réglage du potentiomètre d'une seule piste ou ajouter des effets ou autres traitements de signaux et recommencer le même processus pour chacune des pistes jusqu'à ce que toutes les pistes aient été soigneusement contrôlées. L'égaliseur graphique à 5 bandes du MT120S peut être utilisé pour ajouter ou enlever un composant de basse, moyenne ou haute fréquence du mélange général, ce qui permet de créer une combinaison des pistes plus cohérente et plus polyvalente. Si un dispositif externe de traitement des signaux, comme par exemple le processeur d'effets numérique YAMAHA EMP100, est connecté aux prises AUX SEND/RETURN de la manière décrite au chapitre suivant (UTILISATION DE LA BOUCLE TRANSMISSION/RETOUR), il suffit de sélectionner l'effet voulu sur le processeur de signaux et de l'ajouter à chaque piste en utilisant les commandes AUX SEND. La commande AUX RETURN doit également être réglée à un niveau approprié.
3. Lorsque chaque piste a été individuellement contrôlée, mettre tous les potentiomètres d'entrée à "7" ou "8" et lancer la lecture de la bande. Régler les potentiomètres de manière à obtenir le meilleur équilibre d'ensemble possible. Régler maintenant les commandes PAN afin de placer chaque piste sur la position voulue dans le champ sonore stéréo. Ecouter à nouveau très attentivement: y a-t-il trop ou pas assez de réverbération sur une piste? Régler à nouveau les commandes AUX SEND pour obtenir l'effet recherché. L'équilibre n'est pas parfait? Régler jusqu'à ce qu'il soit satisfaisant. Nous préconisons également de répéter les affaiblissements ou effets pan éventuellement prévus pour l'enregistrement du mixage.
4. Lorsque tout est en ordre, passer aux préparations en vue de l'enregistrement. Connecter les prises STEREO OUT du MT120S aux entrées d'un magnétocassette stéréo. Utiliser les commandes de réglage de niveau d'enregistrement du magnétocassette stéréo et, le cas échéant, le potentiomètre MASTER du MT120S pour obtenir le niveau d'enregistrement optimal. Une fois cela effectué, lancer l'enregistrement. Le potentiomètre MASTER du MT120S peut également être utilisé pour ajouter un affaiblissement progressif à la fin du morceau.

UTILISATION DE L'EGALISEUR GRAPHIQUE

Le MT120S possède un égaliseur graphique à 5 gammes incorporé. Comme l'illustre le schéma de principe, les signaux assignés aux canaux gauche et droit par la commande PAN et le niveau ajusté par le potentiomètre MASTER sont envoyés à l'égaliseur. Par conséquent, il peut être utilisé pendant l'enregistrement ping-pong, l'opération de mélange et pendant l'enregistrement avec la commande REC SELECT réglée sur "L" (gauche) ou "R" (droit). Il est cependant impossible d'employer l'égaliseur quand la commande REC SELECT est réglée sur "1 - 4", du fait que chaque signal de canal est enregistré directement sur la piste adéquate.

L'égaliseur graphique n'affecte que les voies des signaux soulignées en gras sur le schéma ci-dessous.



UTILISATION DES PRISES TAPE OUT ET STEREO SUB IN

Les prises TAPE OUT peuvent servir à fournir les sorties de bande à une table de mixage ou à un effecteur externe, ou à fournir un signal de synchronisation FSK à un convertisseur MIDI pour piloter un séquenceur MIDI.

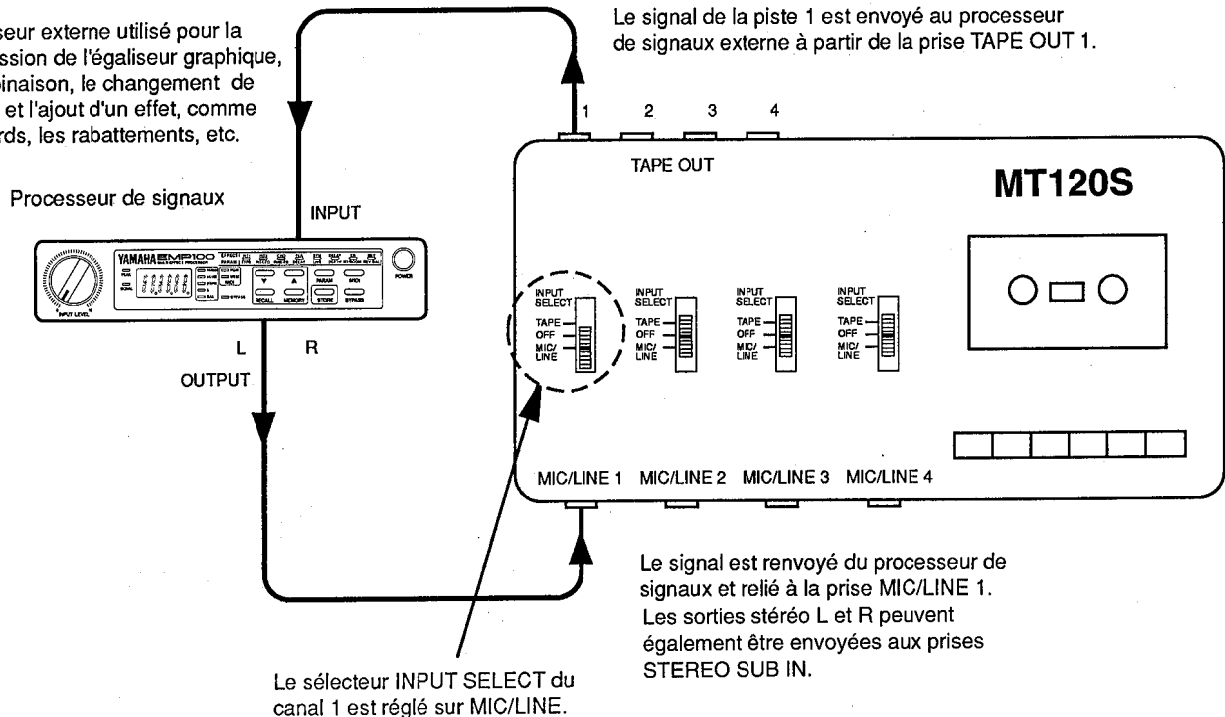
Au cours du mélange, des pistes individuelles peuvent être traitées avec un processeur de signal qui reçoit les signaux depuis la prise TAPE OUT, puis le signal traité peut être renvoyé à une prise d'entrée de canal (voir schéma 1) ou aux prises STEREO SUB IN.

Si vous utilisez un signal de synchronisation FSK MIDI sur le canal 4, dans le mélange final, le FSK peut être envoyé depuis TAPE OUT 4/SYNC vers un convertisseur MIDI comme le YAMAHA YMC10, qui envoie le code temporel MIDI (MTC) à un séquenceur MIDI ou à un séquenceur/générateur de sons comme le YAMAHA QY20. A partir de là, la musique préprogrammée peut être réinjectée dans les prises STEREO SUB IN pour le mixage final. De cette manière, la sortie du QY20 sera exactement sur le même temps que les autres pistes de la bande (voir schéma 2).

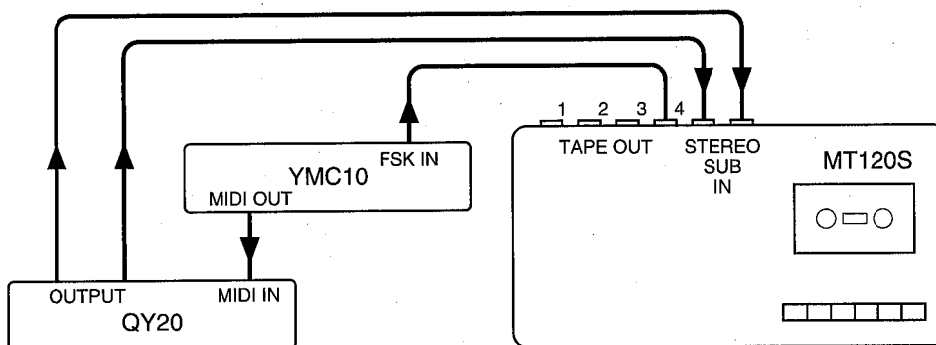
L'avantage d'utiliser une configuration séquenceur/sync MIDI réside dans le fait que, quelle que soit la complexité de l'arrangement sur le synthétiseur, il n'utilise en fait qu'une seule piste de la bande (piste 4) et laisse les autres pistes disponibles pour l'enregistrement d'instruments live ou de la voix.

1. Traitement des pistes individuelles en mixdown à l'aide des prises TAPE OUT

Processeur externe utilisé pour la compression de l'égaliseur graphique, la combinaison, le changement de hauteur et l'ajout d'un effet, comme les retards, les rabattements, etc.



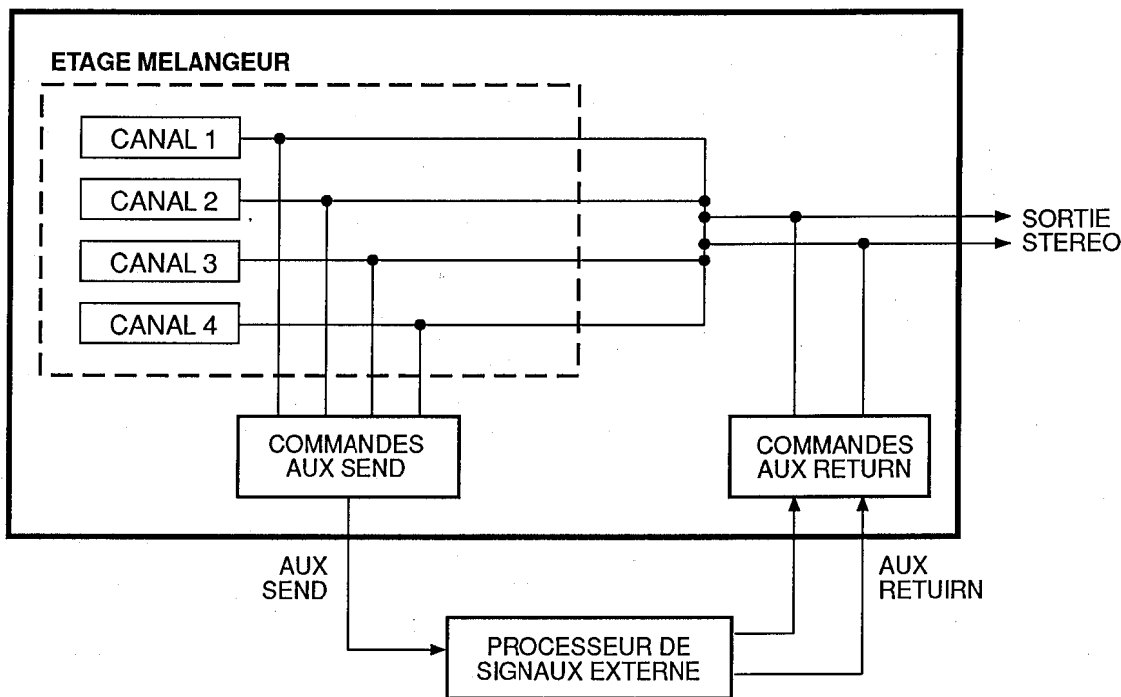
2. Utilisation d'un signal FSK préenregistré sur la piste 4 pour piloter une configuration séquenceur



UTILISATION DE LA BOUCLE TRANSMISSION/RETOUR

Les commandes AUX SEND du MT120S fonctionnent comme un mélangeur auxiliaire dont les signaux d'entrée proviennent des quatre canaux de l'étage mélangeur et qui combine ces signaux en un signal mono sorti via la prise AUX SEND (voir le schéma suivant). Il est possible d'utiliser les commandes AUX SEND pour créer un "mixage avec effet", entièrement indépendant du mixage principal, en ajoutant le degré d'effet requis aux signaux de chaque canal. Le signal AUX SEND est transmis à l'entrée d'un processeur de signaux externe (reverb, écho ou autre), alors que la sortie du processeur de signaux est renvoyée à la prise AUX RETURN. Le niveau du signal reçu par la prise AUX RETURN peut être réglé à l'aide de la commande AUX RETURN et le signal obtenu est mélangé au signal de sortie stéréo principal du MT120S.

Du fait que le signal de retour avec effet est mélangé au signal de sortie stéréo de l'étage mélangeur, la boucle AUX SEND/RETURN peut être utilisée dans un mélange pour ajouter un effet aux pistes, lorsqu'elles sont enregistrées. Dans ce cas, les pistes doivent être assignées à la bande qui utilise la méthode d'assignation canal/piste panoramique (voir page 39).



[Remarque] Du fait que la boucle AUX SEND/RETURN renvoie le signal avec effet aux sorties stéréo de l'étage mélangeur, des effets peuvent être ajoutés aux canaux pendant l'enregistrement en ping-pong, à condition d'avoir utilisé la méthode d'assignation canal/piste panoramique. La boucle AUX SEND/RETURN ne peut pas être utilisée pour ajouter des effets pendant l'enregistrement de pistes ayant été assignées par la méthode d'assignation canal/piste directe.

ENREGISTREMENT PUNCH-IN/PUNCH-OUT

L'enregistrement «punch-in/punch-out» permet de réenregistrer un segment court sur une piste pour corriger une erreur ou retoucher un passage important. Le «punch-in» se fait au point où vous commencez l'enregistrement du nouveau segment et le «punch-out» à la fin, sans effacer les données précédemment enregistrées.

En plus des fonctions normales de punch-in et punch-out, l'appareil offre également un mode de simulation qui vous permet de simuler toute l'opération de punch-in/punch-out sans effectuer l'enregistrement. Vous pouvez ainsi faire un essai sans abîmer l'enregistrement précédent.

Mode simulation

1. Pour passer en mode simulation, un des sélecteurs REC SELECT au moins doit être réglé sur une position autre que OFF. Une fois que le mode simulation a été activé, vous pouvez ramener les sélecteurs REC SELECT sur OFF si nécessaire.
2. Appuyez simultanément sur les touches REC/PAUSE et STOP. Le témoin REC/PAUSE rouge passe au jaune.
3. Vous pouvez maintenant procéder à l'opération de punch-in/punch-out sans effectuer l'enregistrement, pour vous entraîner.
4. Pour repasser en mode d'enregistrement normal, appuyez simultanément sur les touches REC/PAUSE et STOP pour ramener le témoin REC/PAUSE au rouge.

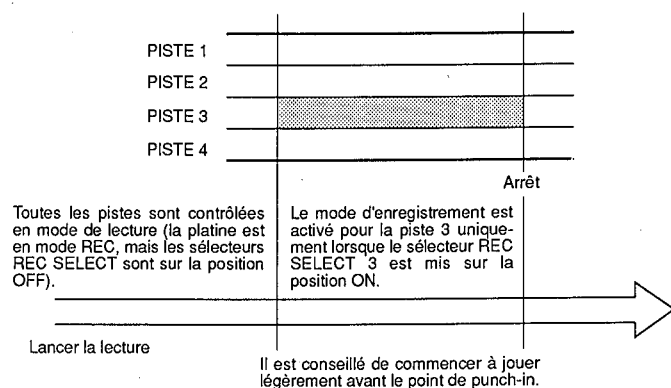
Punch-in/punch-out avec les sélecteurs REC SELECT

1. Vérifiez que tous les sélecteurs REC SELECT sont réglés sur OFF et le sélecteur MONITOR SELECT sur MONITOR pour que vous puissiez écouter toutes les pistes.
2. Repérez la bande jusqu'à un point situé quelques mesures avant le début de la section à réenregistrer. Nous vous conseillons de remettre le compteur à zéro et d'activer la fonction ZERO STOP pour pouvoir revenir facilement à ce point.
3. Mettez l'enregistreur en mode prêt à l'enregistrement en appuyant sur REC/PAUSE, puis sur PLAY. Le témoin REC/PAUSE se met à clignoter pour indiquer que le transport de bande est en mode prêt à l'enregistrement.
4. A une interruption adéquate dans la piste, effectuez le punch-in en réglant le sélecteur REC SELECT pour cette piste sur la position d'enregistrement appropriée. Le témoin REC/PAUSE cesse de clignoter et reste allumé. Toutes les données de lecture sont maintenant enregistrées (sauf si vous êtes en mode de simulation).
5. A la fin du segment réenregistré, effectuez le punch-out en ramenant le(s) sélecteur(s) REC SELECT sur OFF. La bande continue en lecture et le témoin REC/PAUSE se met à clignoter.

Punch-in/punch-out par pédale

N'oubliez pas que toute l'opération suivante peut être effectuée en mode de simulation (témoin REC/PAUSE jaune).

1. Branchez une pédale YAMAHA FC4 ou FC5 (optionnelle) sur la prise MT120S PUNCH I/O.
2. Réglez le sélecteur REC SELECT correspondant à la piste à corriger sur la position d'enregistrement appropriée. Le témoin REC/PAUSE se met à clignoter lentement.
3. Appuyez sur la touche REC/PAUSE pour activer le mode de pause d'enregistrement. Le témoin REC/PAUSE clignote plus rapidement.
4. Pour déclencher la lecture de la bande (pas encore l'enregistrement), appuyez sur la pédale (ou appuyez sur PLAY).
5. Quand vous atteignez le point de sortie, appuyez de nouveau sur la pédale. Le témoin reste maintenant allumé et tout ce qui est lu est enregistré (sauf si vous êtes en mode de simulation).
6. Quand vous atteignez le point de punch-out, appuyez de nouveau sur la pédale. Le témoin revient à un clignotement rapide. Vous pouvez répéter plusieurs fois les étapes 5 et 6, si nécessaire.
7. Quand la section de la bande nécessitant des corrections est terminée, appuyez sur STOP.



ENTRETIEN

L'entretien de votre MT120S consiste principalement à maintenir les têtes dans un état de propreté maximal, ce qui inclut deux opérations: le nettoyage et la démagnétisation des têtes.

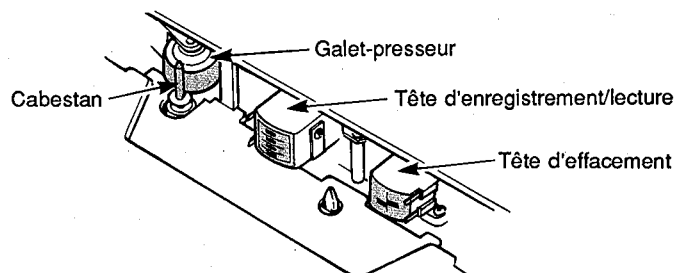
Etant donné que la bande magnétique passe sur les têtes, une très petite quantité de magnétisme reste dessus (comme quand on fait passer un aimant sur une aiguille). Au fur et à mesure, ce magnétisme s'accumule à tel point que les têtes sont magnétisées et que la bande passant dessus (contenant vos précieux enregistrements) commence à s'effacer.

Pour éviter cet inconvénient, nous vous recommandons d'utiliser régulièrement une cassette de démagnétisation de têtes en vente dans le commerce, au bout de 10 heures de lecture/enregistrement. Ces précautions peuvent sembler un peu extrêmes, mais elles en valent la peine.

La tête d'enregistrement et lecture du MT120S est un organe de grande précision qui a été fabriqué avec de très faibles tolérances afin de permettre un enregistrement sur 4 pistes de haute qualité. Des performances optimales ne pourront être obtenues que si la surface des têtes est toujours immaculée. Le nettoyage doit être effectué régulièrement: au minimum toutes les 10 heures de fonctionnement. Des têtes sales peuvent être à l'origine de l'un ou de plusieurs des problèmes suivants:

- Enregistrement, lecture et effacement impossibles
- Niveau sonore de lecture réduit
- Fluctuation et/ou distorsion du son
- Bruit excessif
- Chute du niveau à hautes fréquences

Si l'un de ces problèmes se produit, nettoyer les têtes avec soin avant de présumer que l'appareil est défectueux. Utiliser un kit de nettoyage pour têtes disponible dans le commerce (lire attentivement les instructions données sur le mode d'emploi du kit), ou nettoyer les têtes avec un chiffon ou un morceau de coton légèrement imbibé d'alcool de nettoyage. Nettoyer le cabestan et le galet-presseur en même temps que les têtes.



* Nettoyer les parties ombrées

SPECIFICATIONS

TRANSPORT DE LA BANDE

Type de bande	Chrome (70 microsec EQ)
Têtes	Tête lecture/enregistrement en permalloy 4 canaux Tête d'effacement en ferrite 4 canaux
Vitesse de défilement	4,8 cm/sec., 9,5 cm/sec.
Réglage de vitesse	Environ $\pm 10\%$
Pleurage et scintillement	Moins de 0,12% Weff (4,8 cm/sec.)
Durée de rembobinement	Environ 110 sec, pour une bande C-60
Moteur	Servo-moteur CC

CONNECTEURS

Input 1 à 4	Impédance d'entrée	10 kohms
	Niveau d'entrée nominal	-10dB à -50dB (potentiomètre nominal)
	Niveau d'entrée maxi.	+10dB (gain mini.)
	Niveau d'entrée mini.	-56dB (gain, potentiomètre maxi)
STEREO SUB IN L & R	Impédance d'entrée	10 kohms
AUX RETURN L & R	Niveau d'entrée nominal	-10dB
	Impédance d'entrée	10 kohms
	Niveau d'entrée nominal	-10dB (potentiomètre nominal)
STEREO OUT L & R	Niveau d'entrée mini.	-16dB (potentiomètre maxi)
	Impédance de sortie	1 kohm
	Impédance de charge	Supérieure à 10 kohms
PHONES (STEREO)	Niveau de sortie nominal	-10dB sur 10 kohms
	Impédance de charge	8 à 40 ohms
	Niveau de sortie maxi.	45mW + 45mW/40 ohms
TAPE OUT 1 à 4	Impédance de sortie	1 kohm
	Impédance de charge	Supérieure à 10 kohms
	Niveau de sortie nominal	-10dB sur 10 kohms
AUX SEND	Impédance de sortie	1 kohm
	Impédance de charge	Supérieure à 10 kohms
	Niveau de sortie nominal	-10dB sur 10 kohms
MONITOR OUT L & R	Impédance de sortie	1 kohm
	Impédance de charge	Supérieure à 10 kohms
	Niveau de sortie nominal	-10dB sur 10 kohms

SPECIFICATIONS ELECTRIQUES

Réponse en fréquence (NR OUT)	40 Hz à 18 kHz, +3/-5 dB à 9,5 cm/sec. 40 Hz à 13 kHz, +3/-5 dB à 4,8 cm/sec.
Rapport Signal/Bruit (Niveau DHT 3%)	85dB, dbx "ON", IHF-A
Distorsion	1,0 % à 400 Hz, dbx ON, Niveau enre -13 dB
Séparation entre canaux	Plus de 65dB à 1 kHz, dbx ON, (B.P.F)
Taux d'effacement	Plus de 70dB à 1 kHz, dbx ON
Réduction de bruit	dbx*
Egaliseur Graphique	100, 400, 1k, 5k, 10kHz (± 10 dB), Q = 0,7

SPECIFICATIONS GENERALES

Alimentation	Modèles US et Canada: 120V CA, 60 Hz Modèle UK: 240V AC, 50 Hz Autres modèle: 230V CA, 50 Hz
Consommation	16 W
Dimensions (LxHxP)	410x 80.8 x 237 mm
Poids	2,6 kg

* dbx est une marque de fabrique de "dbx incorporated"

0dB=0.775 Vr.m.s.

Toutes les spécifications sont susceptibles d'être modifiées sans aucun avis préalable.

Deutsch

MEHRSPUR-KASSETTENDECK

MT120S

BEDIENUNGSANLEITUNG

Bescheinigung des Importeurs

Hiermit wird bescheinigt, daß der / die / das

Multitrack cassette recorder Typ : MT120S

(Gerät, Typ, Bezeichnung)

in Übereinstimmung mit den Bestimmungen der

VERFÜGUNG 1046/84

(Amtsblattverfügung)

funkentstört ist.

Der Deutschen Bundespost wurde das Inverkehrbringen dieses Gerätes angezeigt und die Berechtigung zur Überprüfung der Serie auf Einhaltung der Bestimmungen eingeräumt.

YAMAHA Europa GmbH

Name des Importeurs

HERZLICHEN GLÜCKWUNSCH

und vielen Dank für den Kauf des Mehrspur-Kassetendecks MT120S, dem vielseitigen, kreativen Werkzeug zum Aufnehmen, Schneiden, Editieren und Wiedergeben von Klangmaterial. Dieses Mehrspur-Kassetendeck besticht durch seine einfache Bedienung und seine praxisbezogenen Funktionen. Ob Mikrofonaufnahmen von akustischen Instrumenten oder Gesang, ob Aufzeichnungen von elektronischen Instrumenten und Tonquellen über die Direkteingänge, oder Kombination solch unterschiedlicher Aufnahmearten, das MT120S vereinfacht das Musikschaffen gewaltig. Sie können damit vier verschiedene Spuren gleichzeitig aufzeichnen und miteinander abmischen, oder aber mit Hilfe der Pingpong-Mehrspurtechnik bis zu 10 verschiedene Stimmen aufzeichnen, eine nach der anderen, bis Sie das erwünschte Arrangement haben. Genauso einfach kann das MT120S mit einer Band eingesetzt werden. Und da das MT120S aus dem Hause YAMAHA kommt, sind überragende Klangqualität und Leistung natürlich Ehrensache. Um die vielseitigen Funktionen des MT120S und sein Potential voll ausschöpfen zu können, sollten Sie diese Anleitung aufmerksam durchlesen und sie zur späteren Bezugnahme sorgfältig aufbewahren.

INHALT

VORSICHTSMASSNAHMEN	55
BEDIENELEMENTE UND ANSCHLÜSSE	56
ANSCHLUSSBEISPIELE	62
ÜBER DEN UMGANG MIT KASSETTEN	63
AUFNAHME	64
AUFNAHME AUF DIE ERSTE SPUR	65
SCHRITT 1: KANAL/SPURZUWEISUNG	65
SCHRITT 2: AUFNAHMEÜBERWACHUNG	66
SCHRITT 3: AUSSTEUERN DER AUFNAHMEPEGEL	67
SCHRITT 4: AUFNAHME	67
WEITERE SPURAUFAUFNAHMEN (OVERDUBBING)	68
PINGPONG-AUFNAHME (SPURMISCHAUFNAHME)	69
BEISPIEL FÜR EINE PINGPONG-AUFNAHME	70
MASTERMISCHUNG (STEREO-ABMISCHUNG)	71
VERWENDUNG DES GRAPHISCHEN EQUALIZERS	72
VERWENDUNG DER TAPE OUT-BUCHSEN	73
VERWENDUNG DER AUX SEND/RETURN-SCHLEIFE	74
PUNCH-IN/OUT-AUFNAHME (EINFÜGAUFNAHME)	75
WARTUNG	76
TECHNISCHE DATEN	77
BLOCKDIAGRAMM	78

VORSICHTSMASSNAHMEN

1. VOR DIREKTER SONNENEINSTRALUNG, HITZE, FEUCHTIGKEIT, STAUB UND VIBRATION SCHÜTZEN.

Das Gerät niemals an Orten aufstellen, wo es übermäßigem Staub, Feuchtigkeit oder hohen Temperaturen (z.B. in der Nähe von Heizkörpern oder Öfen) ausgesetzt ist. Ebenso Stellen vermeiden, an denen starke Vibrationen auftreten (Gefahr mechanischer Schäden am Gerät).

2. VOR STOSS SCHÜTZEN.

Starke Stöße können zu Schäden am Gerät führen. Daher das Gerät stets mit der gebotenen Umsicht behandeln.

3. KEINESFALLS DAS GERÄT ÖFFNEN ODER EIGENHÄNDIG REPARATUREN SOWIE VERÄNDERUNGEN VORNEHMEN.

Das MT120S enthält keine vom Laien zu wartenden Teile. Sämtliche Wartungs- und Reparaturarbeiten nur von qualifizierten YAMAHA-Kundendiensttechnikern ausführen lassen. Das Öffnen des Gehäuses und/oder Änderungen an internen Schaltkreisen bewirkt Garantieverlust.

4. VOR DEM ANSCHLIESSEN ODER ABTRENNEN VON KABELN DAS GERÄT AUSSCHALTEN.

Das Gerät stets vor dem Anschließen oder Abtrennen von Kabeln ausschalten, um das MT120S selbst sowie die angeschlossenen Geräte vor möglichen Schäden durch plötzliche Schaltimpulse zu bewahren.

5. KABEL VORSICHTIG BEHANDELN.

Zum Anschließen und Abtrennen die Kabel — auch das Netzkabel — stets an den Steckern anfassen.

6. MIT EINEM WEICHEN UND TROCKENEN TUCH REINIGEN.

Zur Reinigung des Geräts keinesfalls Benzin oder Verdünner, sondern ein weiches, trockenes Tuch verwenden.

7. STETS AUF KORREKTE NETZSPANNUNG ACHTEN.

Die Betriebsspannung des MT120S wird bereits ab Werk auf die Netzspannung des Bestimmungslandes eingestellt (Betriebsspannungswerte und Leistungsaufnahme sind auf der Geräteunterseite aufgeführt). Nach einem Umzug in ein Land mit anderen Netzspannungswerten, unbedingt den nächsten YAMAHA-Händler vor der Inbetriebnahme konsultieren.

8. KÖPFE UND BANDTRANSPORTWEG REGELMÄSSIG REINIGEN.

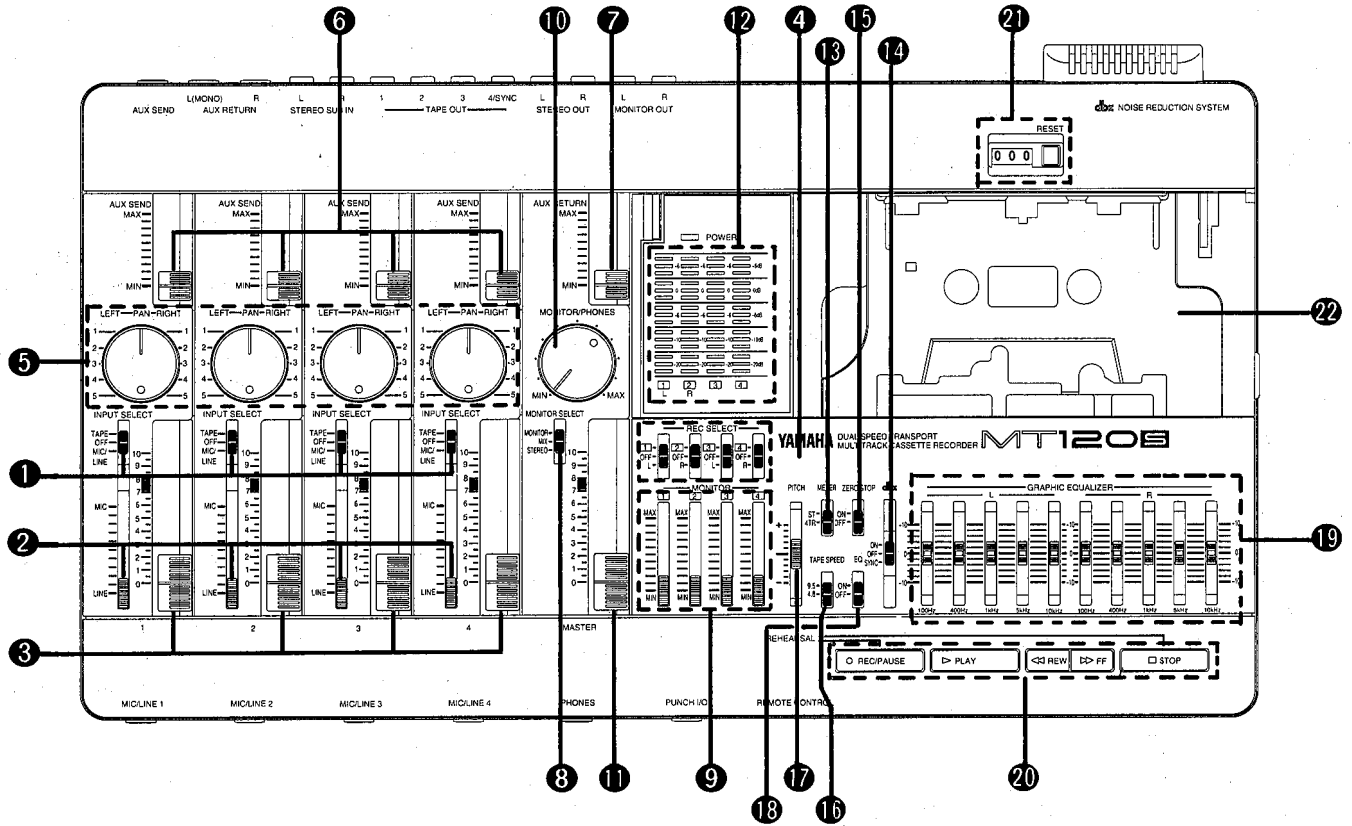
Saubere Tonköpfe und ein sauberer Bandtransportmechanismus sind Voraussetzung für gute Leistungen des MT120S. Daher die Köpfe und den Bandweg des MT120S regelmäßig (am besten vor jeder Aufnahme) reinigen. Dazu einen speziellen Reiniger für Kassettendecks verwenden.

9. NUR HOCHWERTIGE CHROMBAND-KASSETTEN VERWENDEN.

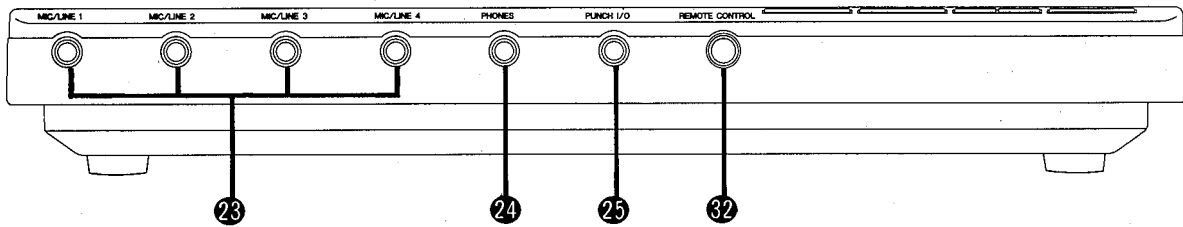
Das MT120S ist ausschließlich auf Chromdioxidbänder kalibriert und kann mit anderen Bandsorten nicht die normalen Leistungen erbringen. Nur gute Markenbänder verwenden.

BEDIENELEMENTE UND ANSCHLÜSSE

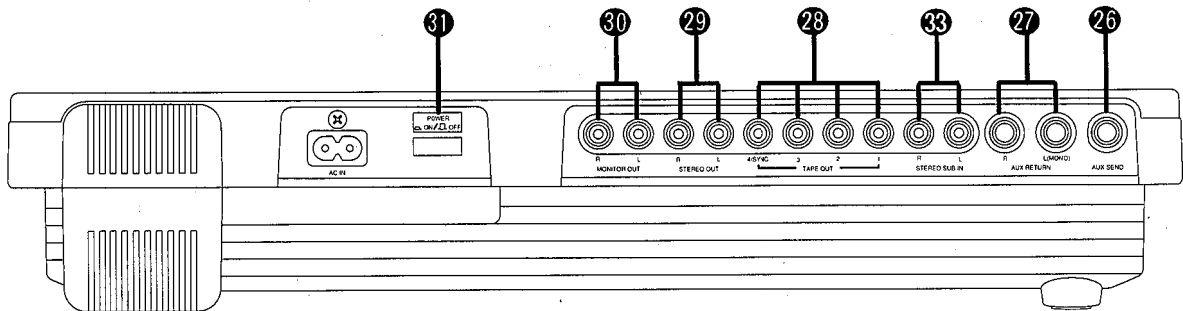
— BEDIENFELD —



— FRONTKONSOLE —



— RÜCKSEITE —



[Hinweis] Die Begriffe "Kanal" und "Spur" in dieser Anleitung werden zur Unterscheidung zwischen den vier "Kanälen" des Mischmoduls im MT120S und den vier "Spuren" des Recordermoduls verwendet. "Spur" bezieht sich auf die vier auf Band aufgezeichneten "Spuren". Da das MT120S ein Band mit vier separaten Spuren bespielen kann, handelt sich hierbei um einen Vierspur-Recorder.

① Eingangswahlschalter (INPUT SELECT)

Die INPUT SELECT-Schalter dienen zum Wählen der Programmquelle für den betreffenden Kanal.

TAPE: Diese Position legt die Signale von internen Recorderspuren an den entsprechenden Eingang. Die vier Kanäle des Mischmoduls entsprechen hierbei den vier Recorderspuren: Kanal 1 des Mischmoduls erhält die Signale von Spur 1. Die Signale der Spuren 2, 3 und 4 werden entsprechend auf die Mischmodulkonäle 2, 3 bzw. 4 gelegt.

OFF: In dieser Stellung ist der betreffende Eingang ungeachtet der Faderstellung stummgeschaltet.

MIC/LINE: Mit dieser Stellung werden die Signale von externen Mikrofonen, Keyboards oder anderen am betreffenden Eingang angeschlossenen Quellen empfangen.

[Hinweis] Die INPUT SELECT-Schalter von unbeschalteten Eingangskanälen (d. h. nicht angeschlossene Eingänge) sollten generell auf OFF gestellt werden, um Rauscheinstrahlungen zu verhindern.

② MIC/LINE-Trimmregler

Die Trimmregler dienen zum Abgleichen der Empfindlichkeit der Kanäleingänge, um das MT120S auf einen großen Bereich von Eingangssignalpegeln, von Line bis Mikrofon, abstimmen zu können. Die Trimmregler werden in Kombination mit den Kanalfadern verwendet, um den optimalen Aufnahmepegel für einen weiten Bereich von Signalquellen einstellen zu können (siehe AUSSTEUERN DER AUFNAHMEPEGEL auf Seite 67).

[Hinweis] Die MIC/LINE-Trimmregler wirken nur auf externe Signale, die an den Eingangsbuchsen anliegen.

③ Kanalfader

Bei den Kanalfadern handelt es sich um Schieberegler zum Einstellen des Signalpegels (Lautstärke) im entsprechenden Kanalzug des Mischmoduls des MT120S. Dabei spielt es keine Rolle, ob das Signal von einer angeschlossenen Signalquelle oder vom Rekorderteil des MT120S kommt. Die Fader dienen bei der Aufnahme zur Pegelsteuerung und während der Wiedergabe zum Pegelabgleich (Balance), d. h. Abmischen der Recorderspuren. In der Fader-Stellung "7" sind Rauschen und Verzerrung am geringsten.

④ Aufnahmespur-Wahlschalter (REC SELECT)

Mit den REC SELECT-Wahlschaltern können Sie die einzelnen Kanalzüge des Mischmoduls einerseits den entsprechend nummerierten Recorderspuren direkt zuweisen. Andererseits können Sie Kanäle mit Hilfe der PAN-Regler auch Spuren mit anderer Nummer zuordnen (siehe KANAL/SPURZUWEISUNG auf Seite 65).

[Hinweis] Wenn einer der REC SELECT-Schalter in einer anderen Stellung als OFF steht, blinkt die LED-Anzeige der REC/PAUSE-Taste und weist darauf hin, daß das MT120S auf Aufnahmebereitschaft geschaltet ist. Die Aufnahme wird durch Drücken der PLAY-Taste nach der REC/PAUSE gestartet. Falls alle REC SELECT-Schalter auf OFF gestellt sind, erfolgt keine Aufnahme selbst wenn REC/PAUSE- und die PLAY-Taste gedrückt werden.

⑤ Panoramaregler (PAN)

Mit den PAN-Reglern werden Signale des entsprechenden Mischmodulkonals im Stereobild positioniert. Falls ein PAN-Regler ganz auf LEFT gestellt ist, liegt das Signal des betreffenden Mischmodul-Kanalzugs nur am Ausgang für den linken Stereokanal (STEREO OUT L) des MT120S an. Wenn der PAN-Regler ganz in die RIGHT-Position gedreht ist, wird das Signal nur über den rechten Stereo-Ausgang (STEREO OUT R) des MT120S weitergegeben. In der Mittelstellung des PAN-Reglers liegt das Signal dieses Kanalzugs am linken und rechten Stereoausgang mit gleichem Pegel an und der Klang scheint aus der Mitte des Stereofelds zu kommen (d. h. zwischen den beiden Stereoboxen). Andere PAN-Reglerstellungen plazieren das Signal aufgrund von unterschiedlichen Stereokanalpegeln an die entsprechenden Positionen im Stereobild. Daneben können die Signale mehrerer Kanalzüge mit den PAN-Reglern auf einer Recorderspur zusammengelegt werden. Außerdem kann man mit diesen Reglern einen Mischmodul-Kanal einer Recorderspur mit anderer Nummer zuordnen (siehe KANAL/SPURZUWEISUNG auf Seite 65).

⑥ Effektschleifenregler (AUX SEND)

Die AUX SEND-Regler werden in erster Linie beim Zuschalten von Effekten wie Nachhall oder Echo auf den einzelnen Kanalzügen oder Spuren verwendet. Die AUX SEND-Regler bestimmen, welcher Betrag eines Kanalsignals zur AUX SEND-Buchse gesendet wird. Dazu muß die AUX SEND-Buchse mit dem Eingang eines externen Signalprozessors wie dem YAMAHA Multi-Effect Processor EMP100 verbunden werden (siehe "VERWENDUNG DER AUX SEND/RETURN-SCHLEIFE" auf Seite 74).

7 Effektsignal-Rückgaberegler (AUX RETURN)

Der AUX RETURN-Regler bestimmt den Pegel, mit welchem das Effektsignal von einem externen Klangprozessor, der über die AUX SEND-Buchse gespeist wird, zurückkehrt und mit dem Stereo-Hauptsignal des MT120S abgemischt wird. Die Ausgänge des Klangprozessors, dem die Signale von der AUX SEND-Buchse des MT120S zugeführt werden, müssen mit den AUX RETURN-Buchsen des MT120S verbunden werden (Siehe VERWENDUNG DER AUX SEND/RETURN-SCHLEIFE auf Seite 74).

8 Abhörer-Wahlschalter (MONITOR SELECT)

MONITOR: Diese Position dient zum Abhören der vier Recorderspuren. Die einzelnen Spuren werden über die vier MONITOR-Regler abgemischt und an die PHONES-Buchse bzw. MONITOR OUT-Ausgänge weitergegeben.

MIX: In dieser Schalterstellung werden die vier Recorderspuren und die an den Eingangsbuchsen angeschlossenen Quellen an die PHONES-Buchse und die MONITOR OUT-Ausgänge gelegt. Dazu wird die durch die MONITOR-Regler festgelegte Spurabmischung mit dem Stereo-Ausgangssignal des Mischmoduls kombiniert.

STEREO: Damit können die Stereo-Ausgangssignale der Mischeinheit abgehört werden. In dieser Schalterstellung liegt an der MONITOR OUT- bzw. PHONES-Buchse das gleiche Signal wie an den Stereo-Ausgängen an.

9 Spurabhörregler (MONITOR)

Die vier MONITOR-Regler bestimmen den Mithörpegel für die Signale auf den entsprechenden Recorderspuren, die in der MONITOR SELECT-Schalterstellung "MONITOR" oder "MIX" an PHONES-Buchse bzw. MONITOR OUT-Ausgängen anliegen. Die MONITOR-Regler werden während Synchronschnitten (Overdubbing) in erster Linie zum Einstellen der Mithörpegel von bespielten Spuren verwendet.

10 Abhörpegel-Fader (MONITOR/PHONES)

Der MONITOR/PHONES-Fader dient zur unabhängigen Lautstärkeregelung für die Signale, die an PHONES- und MONITOR OUT-Buchsen anliegen, wodurch der Mithörpegel problemlos eingestellt werden kann. Die Einstellung dieses Faders wirkt sich nicht auf den Stereo-Ausgangspegel aus.

11 Stereo-Hauptfader (MASTER)

Der MASTER-Fader legt den Gesamtausgangspegel der Mischeinheit und damit den Ausgangspegel des Stereosignals an den STEREO OUT-Buchsen fest. Der MASTER-Fader beeinflusst auch die Aufnahmepegel, wenn Ka-

nalzüge der Mischeinheit mit den PAN-Reglern Recorderspuren zugewiesen werden (siehe AUSSTEUERN DER AUFNAHMEPEGEL auf Seite 67).

12 LED-Spitzenwertanzeigen

Die vier LED-Spitzenwertanzeigen geben die Ausgangspegel der vier Recorderspuren des MT120S mit höchster Genauigkeit an, wenn der METER-Schalter auf "4TR" gestellt ist, während die Spitzenwertanzeigen 1 und 2 in der METER-Schalterstellung "ST" die Pegel der an den Stereo-Ausgängen (STEREO OUT-Buchsen) anliegenden Signale aufführen.

Diese LED-Spitzenwertanzeigen spielen beim Aussteuern der Aufnahmepegel eine wichtige Rolle (siehe AUSSTEUERN DER AUFNAHMEPEGEL auf Seite 67).

13 Anzeigeschalter (METER)

In der "4TR"-Stellung des METER-Schalters zeigen die vier LED-Spitzenwertmesser die Pegel der entsprechenden Recorderspuren an, während in der "ST"-Stellung des METER-Schalters die LED-Spitzenwertanzeigen 1 und 2 den Signalpegel an den Stereo-Ausgängen (STEREO OUT-Buchsen) des Mischmoduls angeben.

14 dbx-Schalter (dbx ON/OFF)

Der dbx-Schalter dient zum Ein/Ausschalten der im MT120S integrierten dbx-Rauschunterdrückung. Bei normaler Aufnahme und Wiedergabe mit dem MT120S sollte der dbx-Schalter auf ON gestellt werden. Dadurch resultiert ein wesentlich besserer Rauschabstand (bis zu 85 dB), weshalb die Aufnahmen sauberer klingen und weniger Bandrauschen enthalten.

Soll bei Synchronaufzeichnung die dbx-Rauschunterdrückung eingeschaltet werden, so ist der dbx-Schalter auf "SYNC" zu stellen.

Damit die dbx-Rauschunterdrückung wirken kann, muß sie zur Aufnahme wie zur Wiedergabe zugeschaltet werden. Zur Wiedergabe von Aufzeichnungen, die mit anderen Geräten ohne dbx-Rauschunterdrückung erstellt wurden, muß der dbx-Schalter auf OFF gestellt werden.

"Für fehlerfreie SYNC-Aufnahme"

- Bei der Aufzeichnung des FSK-Signals den Aufnahmepegel von Spur 4 zwischen 0 und +3 dB einregeln.
- Für Aufnahme und Wiedergabe des FSK-Signals auf Spur 4 den dbx-Schalter auf "SYNC" stellen.
 - * In der Einstellung "SYNC" ist die dbx-Schaltung für Spuren 1 bis 3 aktiviert.
- Auf Spur 4 keine anderen Signale (Musik usw.) als das FSK-Signal aufzeichnen, wenn der dbx-Schalter auf "SYNC" gestellt ist.
- Falls bei der Aufzeichnung des FSK-Signals gleichzeitig andere Signale (Musik usw.) mit aufgenommen werden, sollten benachbarte Spuren, wenn möglich, nicht verwendet werden.

16 Nullpunkt-Suchlauffaste (ZERO STOP)

Die ZERO STOP-Funktion stoppt das Band beim Zurückspulen automatisch, wenn das Zählwerk 000 erreicht. Dies ist besonders praktisch zum Auffinden bestimmter Bandstellen. Zum Verwenden der ZERO STOP-Funktion drücken Sie ganz einfach an der betreffenden Bandstelle die RESET-Taste, um das Bandzählwerk (unter) auf "000" rückzustellen. Wenn Sie danach die ZERO STOP-Taste auf ON stellen, stoppt das Band beim Schnelrücklauf automatisch bei "999" (je nach Bandspannung können geringfügige Abweichungen vorkommen). Dies ist besonders praktisch bei Mehrspuraufnahmen, da ja das Band mehrmals an die gleiche Stelle zurückgespult werden muß, um synchrone Aufnahmen anlegen zu können.

17 Bandgeschwindigkeitsschalter (TAPE SPEED)

Mit dem TAPE SPEED-Schalter kann zwischen normaler (4,8 cm/Sek.) und hoher Bandgeschwindigkeit (9,5 cm/Sek.) umgeschaltet werden. Die normale Bandgeschwindigkeit (4,8) zur Wiedergabe von Bändern verwenden, die mit dieser Geschwindigkeit bespielt wurden, oder aber um Band zu sparen. Zum Erzielen der höchsten Klangqualität empfiehlt sich die hohe Bandgeschwindigkeit (9,5). Die qualitative Klangverbesserung aufgrund der hohen Bandgeschwindigkeit ist beträchtlich und wir empfehlen deshalb die hohe Bandgeschwindigkeit für alle Aufnahmen.

[Hinweis] Niemals die Bandgeschwindigkeit bei laufendem Band wechseln!

18 Tonlagenregler (PITCH)

Mit dem PITCH-Regler kann die Bandgeschwindigkeit um bis zu Ca. $\pm 10\%$ verändert werden, wodurch das mit dem MT120S aufgezeichnete Material auf Instrumente eingestellt werden kann. Außerdem kann damit eine Aufnahme geringfügig verlängert oder verkürzt werden, um Zeitvorgaben zu erfüllen. In der mittleren Einraststellung des PITCH-Reglers arbeitet das MT120S mit normaler Bandgeschwindigkeit, während ein Verschieben des Reglers auf die "+"-Seite die Geschwindigkeit erhöht und ein Verschieben auf die "-"-Seite sie vermindert.

19 Equalizerschalter (EQ)

Dient zum Ein- und Ausschalten des integrierten grafischen Equalizers.

20 Grafischer Equalizer

Der Equalizer dient zum Abgleichen des Frequenzspektrums, um eine ausgewogene Aufnahme zu bekommen. Der grafische Equalizer des MT120S unterteilt das Frequenzspektrum in 5 Bänder, deren Pegel bei eingerastetem EQ-Schalter 18 mit den entsprechenden Equalizerreglern um bis zu Ca. 10 dB angehoben oder gesenkt werden können. Der grafische Equalizer kann bei Aufnahme und Wiedergabe zugeschaltet werden.

[Hinweis] Der grafische Equalizer wirkt bei der Aufnahme auf die Signale, die über die PAN-Regler Spuren zugewiesen werden, d. h. wenn die entsprechenden REC SELECT-Schalter auf L oder R gestellt sind. Er

arbeitet jedoch nicht bei der Aufzeichnung von Quellen, die über die REC SELECT-Schalterstellungen 1 — 4 angewählt und Spuren zugewiesen werden.

21 Bandtransporttasten

Diese elektronischen Tiptasten ermöglichen eine präzise Steuerung aller Bandtransportfunktionen.

Aufnahme/Pausetaste (REC/PAUSE): Wenn diese Taste beim Bandstopp gedrückt wird, schaltet das Gerät auf Aufnahmebereitschaft. Wenn die Taste während der Aufnahme gedrückt wird (zuerst REC/PAUSE und dann PLAY drücken) kann die Aufnahme kurzfristig unterbrochen werden. Zum Fortsetzen der Aufnahme die PLAY-Taste drücken.

Die Taste wird auch verwendet, um den Übungsmodus ein- und auszuschalten, in dem Einfügaufnahme geübt werden kann, ohne eine tatsächliche Aufnahme vorzunehmen. Um den Übungsmodus ein- oder auszuschalten, halten Sie die REC/PAUSE-Taste gedrückt und drücken PLAY.

Aufnahmebereitschaftsanzeige (REC/PAUSE): Je nach der Farbe, in der sie leuchtet und ihrem Zustand (langsam/schnelles/doppeltes Blinken oder erloschen), weist die Anzeige auf einen von fünf Betriebszuständen hin, während das Gerät auf Aufnahme (rote Farbe) oder auf Übungsmodus (gelbe Farbe) geschaltet ist. Die fünf Betriebszustände sind:

- **Anzeige leuchtet:** Mindestens eine Spur ist auf Aufnahme geschaltet, und REC/PAUSE ist gedrückt worden (Aufnahmebereitschaft). Wenn die PLAY-Anzeige ebenfalls leuchtet, läuft eine Aufnahme (oder eine Übungsaufnahme) ab.
- **Anzeige blinkt langsam:** Mindestens eine Spur ist auf Aufnahme geschaltet, und REC/PAUSE ist nicht gedrückt worden. Wenn die PLAY-Taste gedrückt wird, schaltet das Gerät auf Wiedergabe, nicht auf Aufnahme.
- **Anzeige blinkt schnell:** Zeigt Einfügaufnahme-Bereitschaft an.
- **Anzeige blinkt doppelt:** Der Fußschalter ist an die Buchse PUNCH I/O angeschlossen, alle REC SELECT-Schalter sind auf OFF gestellt, und die REC/PAUSE-Taste ist gedrückt worden.
- **Anzeige erloschen:** Keine der Spuren ist auf Aufnahme geschaltet.

[Hinweis] Wenn auf Übungsbetrieb geschaltet ist (die REC/PAUSE-Anzeige leuchtet gelb) ist die Bedienung aller Funktionen genau gleich wie bei der tatsächlichen Aufnahme, mit dem Unterschied, daß keine tatsächliche Aufnahme vorgenommen wird.

[Hinweis] Der Aufnahmemodus kann nicht aktiviert werden, wenn der Löschschieber der eingelegten Kassette herausgebrochen ist.

[Hinweis] Nur Spuren, bei denen der REC SELECT-Schalter auf Aufnahme positioniert ist, können bespielt werden, wenn der Aufnahmemodus aktiviert ist.

Wiedergabetaste (PLAY): Mit Hilfe dieser Taste können Sie die drei Funktionen Wiedergabestart, Aufnahmestart und Punch-in/out-Start auslösen.

- **Wiedergabestart:** Startet die Wiedergabe von der Spur, die auf Wiedergabebereitschaft geschaltet ist (REC SELECT-Schalter steht auf OFF).
- **Aufnahmestart:** Startet die Aufnahme auf der Spur, die auf Aufnahmebereitschaft geschaltet ist (REC SELECT-Schalter steht nicht auf OFF), wenn die Anzeige REC/PAUSE-Taste kontinuierlich leuchtet. Im Übungsmodus (Anzeige leuchtet gelb) findet keine tatsächliche Aufnahme statt, wodurch es möglich ist, das Verfahren zu üben.
- **Punch-in/out-Start:** Startet die Einfügaufnahme, wenn die PLAY-Taste gedrückt wird, während die REC/PAUSE-Anzeige blinkt. Die tatsächliche Einfügaufnahme beginnt nicht, bevor Sie eine der auf Seite 75 beschriebenen Methoden verwenden.

Wiedergabeanzeige (PLAY): Je nach ihrem Zustand (Leuchten und langsames/schnelles Blinken) weist die Anzeige auf folgende drei Betriebszustände hin:

- **Anzeige leuchtet:** Die PLAY-Taste ist gedrückt worden.
- **Anzeige blinkt schnell:** FF-Taste oder REW-Taste ist während der Wiedergabe gedrückt worden (CUE/REVIEW-Modus).
- **Anzeige blinkt langsam:** Dieser Blinkzustand bleibt ca. 4 Sekunden lang nach dem Einschalten der Stromversorgung mit Ein/Aus-Schalter POWER erhalten. (Während dieser Zeit sind die Bedientasten funktionslos).

Rückspultaste (REW): Diese Taste dient zum Zurückspulen des Bandes im Schnelllauf. Falls der ZERO STOP-Schalter eingerastet ist, stoppt das Band bei "999".

Vorspul/Suchlauf-taste (FF): Diese Taste löst die Schnellvorspulation des Bandes aus. Wenn die Taste während Wiedergabe gedrückt wird, kann man die Aufnahme im Zeitraffermodus hören, was das Auffinden von Bandstellen erleichtert.

Stopptaste (STOP): Durch Drücken von STOP wird der Bandtransport in allen Betriebsarten gestoppt.

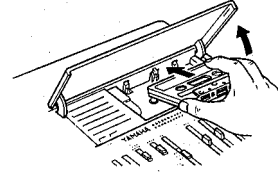
21 Bandzählwerk und Rückstelltaste (RESET)

Dieses dreistellige Bandzählwerk gibt Aufschluß über die Bandstellung. Es empfiehlt sich die Zählwerkanzeige an wichtigen Bandstellen zu notieren, um sie nachher leichter auffinden zu können. Durch Antippen der RESET-Taste wird das Zählwerk an der gegenwärtigen Bandstellung auf "000" rückgestellt. Diese Taste wird daher im Zusammenhang mit der ZERO STOP-Funktion 15 verwendet, um Bandstellen zu markieren.

22 Kassettenfach

Hier wird die Kassette eingelegt. Nur hochwertige Chrombänder (CrO₂) verwenden. Andere Bandsorten weisen nicht die richtigen Frequenzangeigenschaften auf und führen beim MT120S zu erhöhtem Bandrauschen. Den Kassettenfachdeckel (auf der rechten Seite befindet sich

eine Noppe) öffnen und die Kassette so einlegen, daß deren Öffnung auf die Bandtransporttasten zeigt. Die Kassetten hinten unter den Haltefinger an der Rückseite des Kassettenfachs einsetzen und dann die Vorderseite (Bandöffnung) in den Transportmechanismus einrasten. Danach den Kassettenfachdeckel sanft schließen.



[Hinweis] Da das MT120S die gesamte Bandbreite zur Aufnahme von vier Spuren verwendet, kann nur eine Kassettenseite verwendet werden. Falls die Kassette umgedreht und bespielt wird, wird zuvor aufgenommenes Material gelöscht und überspielt.

23 Eingänge 1 — 4 (MIC/LINE)

Diese vier Eingänge verarbeiten die Signale von Mikrofonen sowie von hochpegeligen Quellen wie elektronische Musikinstrumente, elektrische Gitarren, Bässe oder Kassetendecks. Bei allen vier Eingängen handelt es sich um 1/4 Zoll Standard-Klinkenbuchsen. Wenn eine Signalquelle an einen dieser Eingänge angeschlossen ist, wird deren Signal zu dem entsprechenden Kanal des im MT120S integrierten Mischmoduls gesendet.

24 Kopfhörerbuchse (PHONES)

An diese Buchse kann ein beliebiger Stereo-Kopfhörer mit einer Impedanz zwischen 8 und 40 Ohm angeschlossen zu werden. Ein guter Kopfhörer empfiehlt sich als Werkzeug zum Abhören der verschiedenen Signale des MT120S. Hierzu bietet sich der YAMAHA Kopfhörer RH5M oder MH100 als ideale Ergänzung an.

25 Fußschalterbuchse für Einfügaufnahmen (PUNCH I/O)

An diese Buchse kann ein getrennt erhältlicher YAMAHA FC4 oder FC5 Fußschalter angeschlossen werden, mit dem Einfügaufnahmen (Punch-in/out) ausgelöst und beendet werden können (siehe PUNCH-IN/OUT-AUFNAHME auf Seite 75).

26 Sendebuchse (AUX SEND)

27 Linke und rechte Rückgabebuchse (AUX RETURN L (MONO) und R)

Die AUX SEND- und RETURN-Buchsen ermöglichen ein problemloses Zwischenschalten eines externen Stereo-Klangprozessors (wie z. B. der YAMAHA Multi-Effekt-Processor EMP100), um den Signalen des MT120S Effekte hinzuzufügen. Dazu ist die AUX SEND-Buchse mit dem Eingang des Klangprozessors zu verbinden, während die Ausgänge des Klangprozessors an die linke und rechte AUX RETURN-Buchse des MT120S angeschlossen werden. Falls es sich beim Klangprozessor um ein Mono-Gerät handelt, wird dessen Ausgang an die linke L (MONO) AUX RETURN-Buchse angeschlossen (siehe "VERWENDUNG DER AUX SEND/RETURN-SCHLEIFE auf Seite 74).

**29 Rekordermodul-Ausgangsbuchsen
(TAPE OUT 1 — 4)**

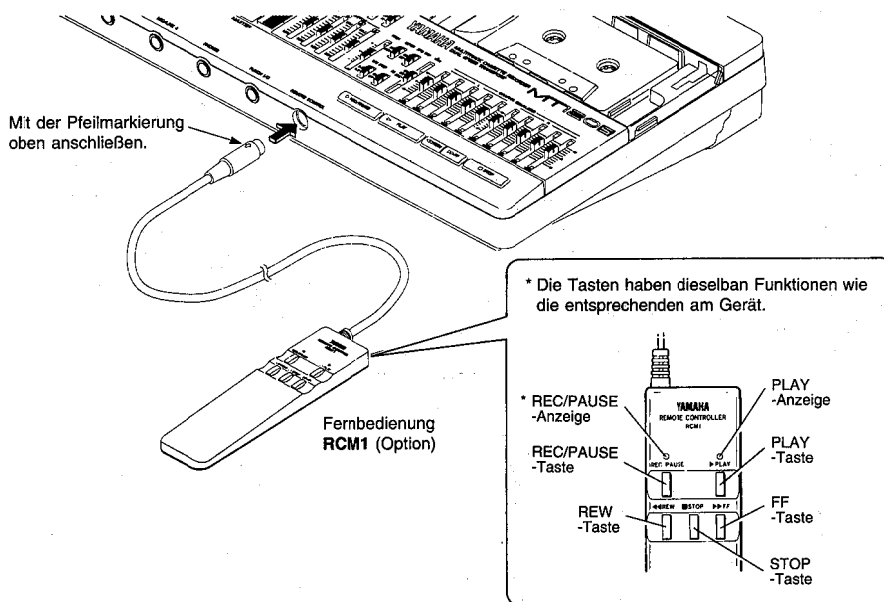
Die vier TAPE OUT-Buchsen stellen die Direktausgänge für die entsprechend nummerierten Recorderspuren dar. Damit können die Signale auf den diversen Recorderspuren einem externen Mischpult separat zugeführt werden. Über die TAPE OUT-Buchsen können aber auch die Signale einzelner Spuren externen Klangprozessoren getrennt zugeleitet werden und dann über die Eingänge des MT120S-Mischmoduls wieder zurückgeführt werden.

**30 Linker und rechter Stereo-Ausgang
(STEREO OUT L und R)**

Dies sind die Hauptausgänge des MT120S. Diese Buchsen geben das abgemischte Stereo-Hauptsignal von der Mischeinheit des MT120S weiter. Bei den STEREO OUT-Buchsen handelt es sich um Cinchbuchsen, die zur Wiedergabe an eine Stereoanlage angeschlossen werden können. Sie können aber auch mit einem zweiten Kassettenrekorder verbunden werden, wenn eine Stereo-Mischung vom Mehrspur-Masterband im MT120S angelegt werden soll.

31 Fernbedienungsanschluß (REMOTE CONTROL)

Wenn die als Sonderzubehör erhältliche Fernbedienung RCM1 angeschlossen ist, können die Bandlauffunktionen (REC/PAUSE, PLAY, REW, FF, STOP) von einem anderen Standort aus gesteuert werden.



* Die REC/PAUSE-Anzeige wechselt im Übungsmodus nicht die Farbe wie die entsprechende Anzeige am Hauptgerät. Um Irrtümer zu vermeiden, richten Sie sich bitte nach der Anzeige am Hauptgerät.

32 STEREO SUB IN-Buchsen

Diese Buchsen erlauben die Flexibilität, einen weiteren Stereoklang zur Mischung hinzuzufügen. Der Ausgang eines zweiten Effektes kann hier angeschlossen werden, oder auch der Ausgang eines anderen Mischers. Wenn Sie einen Synthesizer von einem Sequenzer fahren, der MTC von Spur 4 auf dem Band abnimmt, erlauben es die SUB IN-Buchsen, den Synthesizer-Ausgang zur Endmischung hinzuzufügen, ohne Bandspuren zu opfern (siehe Seite 73).

**30 Linker und rechter Mithörausgang
(MONITOR L und R)**

An diesen Buchsen liegt das gleiche Signal an wie an der PHONES-Buchse. Das Signal wird über den MONITOR-Schalter gewählt und der Ausgangspegel wird über den MONITOR/PHONES-Regler eingestellt. Da die MONITOR OUT-Buchsen Cinchbuchsen sind, können sie zum Überwachen der Signale mit einem Stereosystem verbunden werden.

31 Ein/Aus-Schalter (POWER)

Den POWER-Schalter dient zum Ein- und Ausschalten des Geräts. Vor dem Einschalten die Fader auf "0" und den AUX RETURN-Pegelregler auf "MIN" stellen. Bei eingeschaltetem MT120S leuchtet die POWER-Anzeige über den Spitzenwertanzeigen auf.

[Hinweis] Nach dem Einschalten des Geräts wird zunächst eine Initialisierung ausgelöst, so daß ca. 4 Sekunden lang kein Betrieb möglich ist. Während der Initialisierung blinkt die PLAY-Anzeige in langsamem Takt.

ANSCHLUSSBEISPIELE

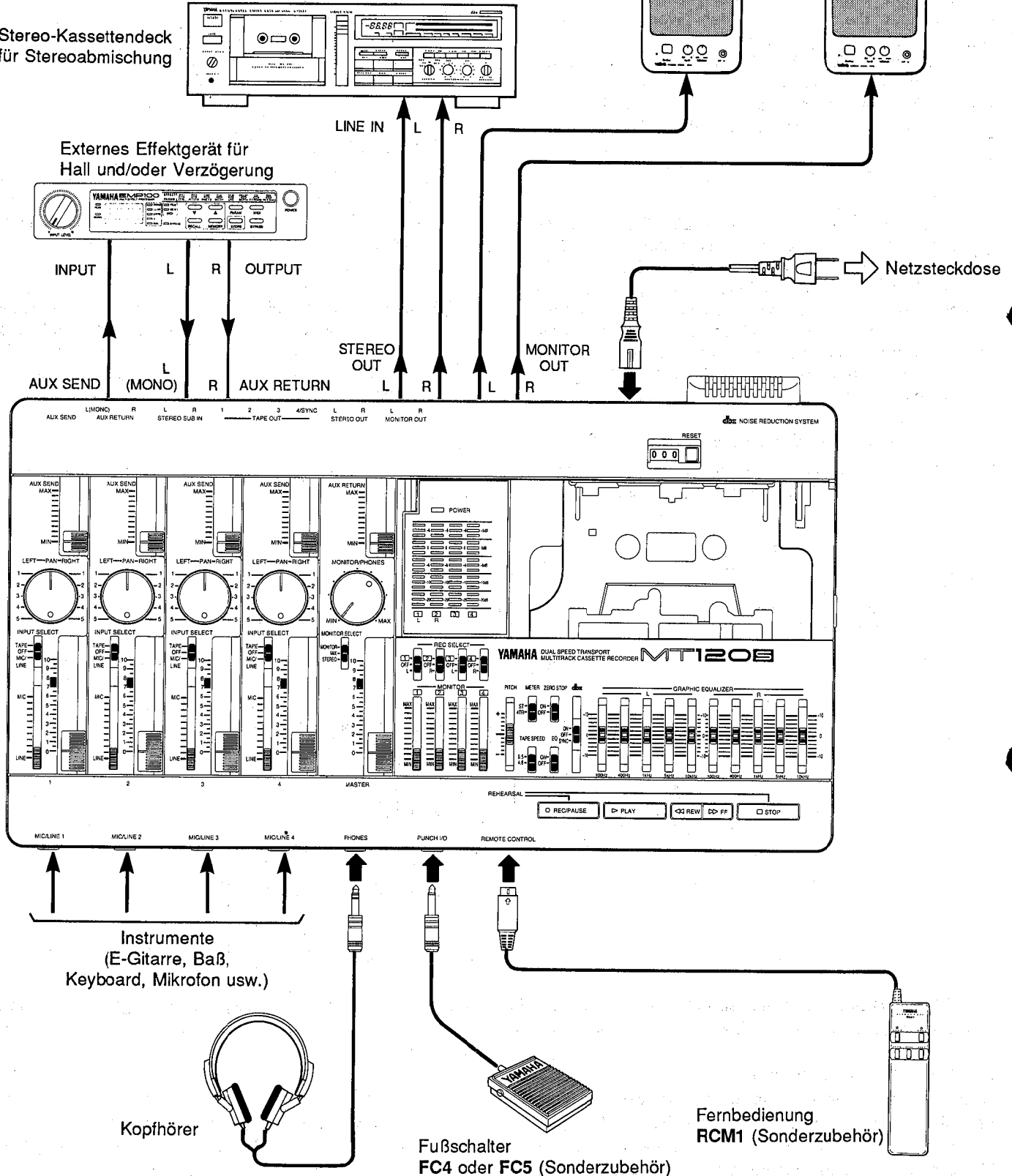
BASISANSCHLÜSSE

* Vor dem Anschließen alle Geräte AUSSCHALTEN.

Stereo-Kassettendeck
für Stereoabmischung

Externes Effektgerät für
Hall und/oder Verzögerung

Monitor-Endstufe/Boxen



Instrumente
(E-Gitarre, Baß,
Keyboard, Mikrophon usw.)

Kopfhörer

Fußschalter
FC4 oder FC5 (Sonderzubehör)

Fernbedienung
RCM1 (Sonderzubehör)

ÜBER DEN UMGANG MIT KASSETTEN

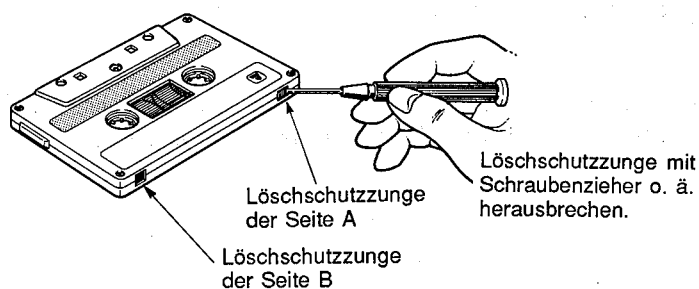
Dieses Gerät ist **ausschließlich auf Chromdioxidbänder ausgelegt** und erbringt daher mit Reineisenbändern keine guten Ergebnisse. Daher sollten nur Chrombänder (Bias: HIGH; EQ: 70 μ s) eingesetzt werden, um korrekte Vormagnetisierung und Entzerrung zu erhalten. Darüber hinaus ist von der Verwendung von Bändern abzuraten, deren Spielzeit mehr als 90 Minuten beträgt (C-120 usw.). Diese Bänder sind zu dünn, führen zu schlechteren Leistungen und können Störungen im Bandtransportmechanismus verursachen.

● Löschschtutzungen

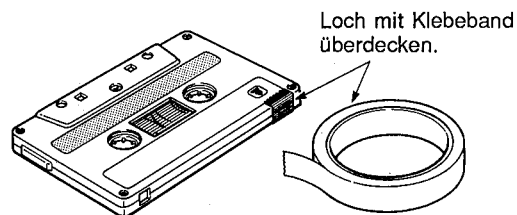
Um wichtige Aufnahmen vor versehentlichem Löschen zu schützen sind alle Kassetten mit Löschschtutzungen versehen. Falls diese Zungen mit einem Schraubenzieher herausgebrochen werden, kann die entsprechende Seite nicht erneut bespielt werden. Damit können Sie Ihre wichtigen Aufnahmen vor versehentlichem Überspielen oder Löschen schützen. Bei 4-Spuraufnahmen müssen Sie jedoch jeweils die Löschschtutzungen für beide Kassettenseiten (A und B) entfernen.

Falls eine Kassette mit entfernten Löschschtutzungen erneut bespielt werden soll, müssen Sie nur die Zungenlöcher mit Klebeband abdecken.

• LÖSCHSCHUTZ:

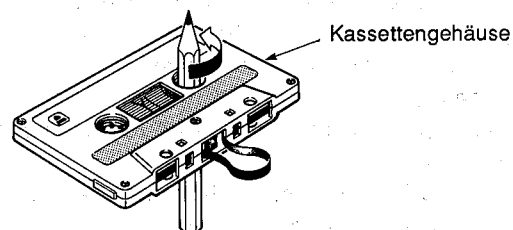


• AUFNAHME AUF KASSETTE MIT ENTFERNTEN LÖSCHSCHUTZUNGEN:



● Straffen von lockeren Bändern

Wenn Kassetten mit locker aufgewickelten Bändern eingelegt werden, kann es an Kapstan oder Andruckrolle zu "Bandsalat" kommen. Um dies auszuschließen, vor dem Einlegen einen Bleistift oder Kugelschreiber in eine Spule stecken und drehen, um das Band zu straffen.



● Lagern von Kassetten

Um ein Lockern des Bandes zu verhindern, sollten nach Gebrauch die Kassetten in ihr Schutzgehäuse gegeben werden. Kassetten müssen vor direkter Sonneneinstrahlung, Hitze und Feuchtigkeit geschützt werden, um Bandschäden zu verhindern. Außerdem sollten Kassetten keinesfalls in die Nähe von starken magnetischen Feldern gebracht werden, wie sie von Fernsehgeräten, Lautsprechern usw. erzeugt werden. Magnetfelder können Löschung oder Klangveränderungen verursachen.

AUFNAHME

Die Einzelheiten zur Bedienung der Schalter, Regler und Tasten des MT120S sind auf Seite 56 **BEDIENELEMENTE UND ANSCHLÜSSE** aufgeführt.

Die Aufnahme mit dem MT120S ist ein ganz einfacher Vorgang. Sie benötigen dazu nur Kopfhörer und ein Instrument, ein Mikrofon oder eine andere Signalquelle.

Mehrspuraufnahmen lassen sich in folgende grundlegende Schritte unterteilen:

1. Aufnahme auf die erste Spur

- a) Kanal/Spur-Zuweisung für Eingangsquelle.
- b) Den Aufnahmepegel aussteuern.
- c) Aufnahme.

2. Synchronaufnahme auf die restlichen Spuren

- a) Kanal/Spur-Zuweisung für Eingangsquelle
- b) Den Aufnahmepegel für jede Aufnahme aussteuern.
- c) Die Spuraufnahme durchführen.

3. Zusammenlegen von Spuren

- a) Pingpong-Aufnahme und weitere Spuraufnahmen durchführen, falls erforderlich.

4. Mischen

- a) Mithörfunktion zum Abmischen einstellen.
- b) Eine grobe Mischung erstellen und Effekte hinzufügen.
- c) Die endgültige Mischung erstellen und überprüfen.
- d) Die STEREO OUT-Buchsen des MT120S mit einem Stereo-Kassettenrekorder verbinden.
- e) Die Mischung vom MT120S auf den Stereorekorder überspielen.

Diese Schritte und die verwendete Terminologie werden anschließend ausführlich besprochen, weshalb es sich empfiehlt, die nachfolgenden Abschnitte der Reihe nach durchzulesen, um ein klares Verständnis des Aufnahmeprozesses zu gewinnen.

AUFNAHME AUF DIE ERSTE SPUR

SCHRITT 1: KANAL/SPURZUWEISUNG

Bei allen Aufnahmen muß als nächstes der Kanalzug, an dem das Instrument oder die Programmquelle angeschlossen ist, einer der Rekorderspuren zugewiesen werden.

Das MT120S bietet zwei verschiedene Verfahren zur Kanal/Spurzuweisung. Damit können Sie je nach Aufnahmematerial ein einzelnes Instrument oder eine Programmquelle einer einzelnen Spur zuordnen und auf diese aufnehmen. Sie können aber auch eine Reihe von Instrumenten oder Programmquellen zusammenlegen und auf eine Spur aufzeichnen.

Direkte Kanal/Spurzuweisung

Mit diesem Verfahren wird ein Instrument oder eine Programmquelle, die an einem Kanalzug angeschlossen ist, der Recorderspur mit der gleichen Nummer wie der Kanal zugewiesen. Damit kann man eine Spur alleine oder alle vier Spuren simultan bespielen. Bei dieser Zuweisung kann jedoch nur jeweils eine Quelle auf eine Spur gelegt werden.

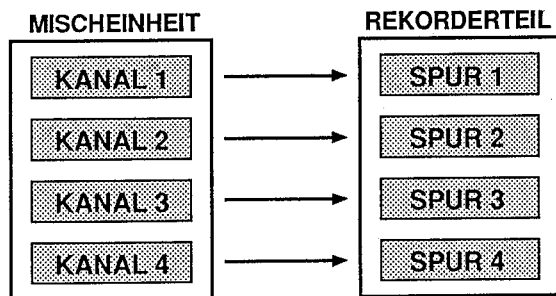
Zur direkten Kanal/Spurzuweisung müssen die REC SELECT-Schalter auf die Nummernposition (1, 2, 3 oder 4) gestellt werden. Wenn z. B. REC SELECT-Schalter 1 in Stellung "1" steht, werden die Signale von Kanal 1 direkt zur Spur 1 des Recorders geführt. Die anderen Kanäle und Spuren werden auf gleiche Weise zugewiesen.

Kanal/Spurzuweisung mit PAN-Regler

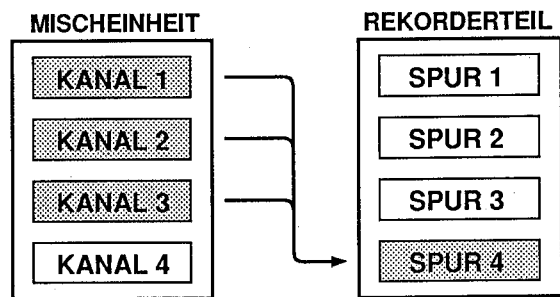
Mit Hilfe der PAN-Regler können mehrere Mischmodul-Kanäle auf einer einzigen Recorderspur zusammengelegt werden. Ebenso kann ein einziger Kanal der Mischeinheit mehreren Recorderspuren zugewiesen werden.

Jeder REC SELECT-Schalter weist entweder eine "L"- oder "R"-Position auf. Diese entsprechen dem linken (L) bzw. rechten (R) Stereo-Ausgangskanal des Mischmoduls. Wenn der REC SELECT-Schalter von Spur 1 z. B. auf "L" gestellt ist, werden alle Signale, die mit den PAN-Reglern auf den linken Kanal gelegt wurden, der Spur 1 zugewiesen. Wenn daher der REC SELECT-Schalter von Spur 4 auf "R" und der PAN-Regler von Kanal 1 ganz auf RIGHT gestellt wird, ist Kanal 1 der Recorderspur 4 zugeordnet. Um die im Diagramm gezeigte Zuweisung auszuführen, wird REC SELECT-Schalter 4 auf "R" gebracht und die PAN-Regler von Kanal 1, 2 und 3 werden voll auf RIGHT gestellt. Gleichzeitig wird der PAN-Regler von Kanal 4 in die ganz linke (LEFT) Position gedreht, damit das Signal von Kanal 4 nicht Spur 4 des Recorders zugeführt werden kann.

[Hinweis] Wenn einer der REC SELECT-Schalter auf "L" oder "R" gestellt ist, wird auf der Spur zusätzlich das Signal der L- bzw. R-AUX-Rückgabebuchse aufgezeichnet, so daß neben der Eingangsquelle auch Effekte mit aufgenommen werden können.



Direkte Kanal/Spurzuweisung



Kanal/Spurzuweisung mit PAN-Regler

SCHRITT 2: AUFNAHMEÜBERWACHUNG

Nachdem die Programmquelle am Eingang eines Kanalzugs angeschlossen und dieser Kanal einer Spur zugewiesen wurde, empfiehlt es sich das Mithörsystem einzustellen, um die Spur, auf die aufgezeichnet wird, während der Aufnahme abhören zu können.

Die Signale können entweder über Kopfhörer oder aber über ein an den MONITOR OUT-Buchsen angeschlossenes System überwacht werden. Der Pegel der Signale an den Buchsen MONITOR OUT bzw. PHONES werden über den MONITOR/PHONES-Regler festgelegt. Der MONITOR SELECT-Schalter weist drei Stellungen auf und bestimmt, ob nur die Recorderspuren (MONITOR-Stellung), die Eingangsquellen (STEREO) oder die Kombination dieser Signale (MIX) gehört werden.

MONITOR: In dieser Schalterstellung werden die Ausgangssignale der vier Recorderspuren über die vier MONITOR-Regler direkt an die PHONES- oder MONITOR OUT-Buchsen gelegt. Die MONITOR-Regler dienen zum Einstellen der Mischung der abzuhörenden Signale. Diese Anordnung ist ideal für die allgemeine Aufnahmeüberwachung, da die Mithörmischung unabhängig von den Kanalfadern eingestellt werden kann. Bereits aufgezeichnetes Material wird über den entsprechenden MONITOR-Regler an die PHONES- oder MONITOR OUT-Buchsen gelegt. In diesem Fall kann eine Eingangsquelle nur gehört werden, wenn Sie über den entsprechenden REC SELECT-Schalter einer beliebigen Recorderspur zugewiesen ist und die Transporttasten auf Aufnahme oder Aufnahmebereitschaft geschaltet sind.

MIX: In dieser Schalterstellung werden den PHONES- bzw. MONITOR OUT-Buchsen die Ausgangssignale der vier Recorderspuren (über die entsprechenden MONITOR-Regler) und die Stereo-Ausgangssignale der Mischeinheit simultan zugeführt.

STEREO: In dieser Schalterstellung liegt nur das Stereo-Ausgangssignal der Mischeinheit an den Buchsen PHONES und MONITOR OUT an. Diese Stellung wird zum Abmischen einer vollständigen Mehrspuraufnahme eingesetzt, da ja beim Mischen die Stellungen der Kanalfader und der AUX SEND- und RETURN-Regler (bei Zuschalten von Effektsignalen) überwacht werden müssen.

[Hinweis] Zur Überwachung von Mikrofonaufnahmen keinesfalls Lautsprecher verwenden, da deren wiedergegebenen Klänge mitaufgezeichnet werden und somit die Aufnahme verderben.

SCHRITT 3: AUSSTEUERN DER AUFNAHMEPEGEL

Das korrekte Aussteuern der Aufnahmepegel ist Voraussetzung für gute Aufnahmequalität.

1. Überprüfen, ob die eingelegte Kassette zum vorgesehenen Bandstelle gespult ist. Es empfiehlt sich die RESET-Taste zu drücken, um das Bandzählwerk auf "000" zurückzustellen. Dadurch kann man den Aufnahmeanfang dann später mit der ZERO STOP-Funktion auf Anhieb finden.
2. Den Fader des aufzunehmenden Kanals in die "0"-Stellung schieben und den MIC/LINE-Trimmregler ganz auf LINE stellen.
3. Die REC/PAUSE-Taste drücken, um das MT120S auf Aufnahmebereitschaft zu schalten. Das Band läuft jedoch nicht. Dann das Programm mit dem lautesten Pegel spielen, der für diese Aufnahme vorgesehen ist.
4. Den MASTER-Fader auf "7" oder "8" setzen und den Kanalfader verschieben, bis die LED-Spitzenwertanzeigen zu reagieren beginnen. Falls es sich bei der Quelle um ein elektrisches Instrument (Baß oder Gitarre) oder ein Mikro-

fon handelt, muß der MIC/LINE-Trimmregler unter Umständen in Richtung MIC verstellt werden, um eine genügend hohe Spitzenwertanzeige zu erzielen. Den Kanalfader und den MIC/LINE-Trimmregler so einstellen, daß die angezeigten Spitzenpegel zwischen "0" und "+3" liegen. Idealerweise sollte eine Kanalfaderstellung zwischen "7" und "8" diese Spitzenpegel bewirken. Damit wird der bestmögliche Rauschabstand und andererseits genug Spielraum für spätere Pegelkorrekturen gewährleistet. Falls die Faderstellung stark von den empfohlenen Werten abweicht, kann dies evtl. über den Lautstärkeregler des Instruments oder der Programmquelle korrigiert werden, um optimale Aufnahmepegel mit einer Faderstellung zwischen "7" und "8" zu erzielen. Nach dem Einstellen der Pegel wird zum Abschluß die STOP-Taste gedrückt, um die Aufnahmepause zu beenden.

SCHRITT 4: AUFNAHME

Nachdem der Eingangskanal einer Recorderspur zugewiesen und die Mithörfunktion eingestellt wurde und die Aufnahmepegel optimal ausgesteuert wurden, kann mit der Aufnahme begonnen werden.

[Hinweis] Vor Aufnahmebeginn sicherstellen, daß der PITCH-Regler auf OFF gestellt (Mittelstellung) ist.

1. Die REC/PAUSE-Taste und dann die PLAY-Taste drücken, um die Aufnahme auszulösen, ein paar Sekunden warten und dann mit dem Spielen beginnen.
2. Am Ende der Aufzeichnung für diese Spur die STOP-Taste drücken, den REC SELECT-Schalter der gerade bespielten Spur auf OFF stellen und die REW-Taste drücken (das Band stoppt automatisch bei einer Zähleranzeige um "999", falls der ZERO STOP-Schalter auf ON gestellt ist).
3. Die Aufnahme durch Drücken der PLAY-Taste wiedergeben und die Spur abhören, um die Aufnahme zu überprüfen.

[Hinweis] Falls bei der Aufnahme Mikrofone verwendet werden und die Aufnahme im gleichen Raum überwacht wird, sollten Kopfhörer zur Klangüberwachung verwendet werden. Falls Lautsprecher zur Klangkontrolle eingesetzt werden, kann deren Wiedergabe die Mikrofonaufnahme beeinträchtigen.

WEITERE SPURAUFNAHMEN (OVERDUBBING)

Das englische Wort *Overdubbing* beschreibt die Synchronaufnahme einer oder mehrerer neuen Spuren, während die vorher bespielten Spuren gleichzeitig abgehört werden. Falls Sie nur insgesamt vier Spuren aufzeichnen wollen, können Sie gleich mit der Aufnahme der 2., 3. und 4. Spur fortfahren. Falls Sie jedoch mit Hilfe der Pingpong-Methode mehr als vier Stimmen aufzeichnen wollen, sollten Sie zunächst nur drei Spuren aufnehmen und dann die Beschreibung zur Pingpong-Aufnahme lesen (siehe PINGPONG-AUFNAHME auf Seite 69).

1. Das aufzuzeichnende Instrument oder die Programmquelle an den vorgesehenen Kanaleingang anschließen. Den INPUT SELECT-Schalter dieses Kanals auf MIC/LINE stellen und die INPUT SELECT-Schalter der anderen Kanäle auf OFF stellen.
2. Sicherstellen, daß die REC SELECT-Schalter von bereits bespielten Spuren auf OFF gestellt sind, damit diese Spuren bei der nächsten Aufnahme nicht überspielt werden.
3. Die Kanal/Spurzuweisung für die neue Spur ausführen.
4. Die Einstellungen zum Mithören überprüfen, um sicherzustellen, daß die zuvor bespielten Spuren zusammen mit dem Aufnahmematerial wiedergegeben werden (bei Kopfhörereinsatz den MONITOR SELECT-Schalter auf MONITOR stellen).
5. Den Aufnahmepegel für die neue Spur aussteuern und den Klang mit den linken Equalizerreglern abgleichen, falls notwendig.
6. Jetzt kann die nächste Spuraufnahme noch einmal geprobt werden, während die zuvor bespielten Spuren wiedergegeben werden. Wenn der MONITOR SELECT-Schalter auf MONITOR gestellt ist, kann die Eingangsquelle nur gehört werden, falls die entsprechende Spur des MT120S auf Aufnahmebereitschaft oder Aufnahme geschaltet ist. Falls bei der Probe die bereits bespielten Spuren zusammen mit der neuen Eingangsquelle abgehört werden sollen, den MONITOR SELECT-Schalter auf MIX stellen.

[Hinweis] Eine derartige Übung ist nicht das Gleiche wie Üben mit Hilfe der Übungsfunktion für Einfügaufnahme (siehe Seite 75).

7. Darauf achten, daß das Band zum Aufnahmeanfangspunkt zurückgespult ist und dann die Aufnahme auslösen.

Diese Schritte werden ganz einfach wiederholt, um weiteres Material in die Spuren 3 und 4 einzuspielen.

PINGPONG-AUFNAHME (SPURMISCHAUFNAHME)

Bei der Pingpong- oder Spurmischtaufnahme handelt es sich um ein Verfahren, um mehr als vier Stimmen mit einem Vierspurrekorder aufzunehmen.

Dazu werden bespielte Spuren auf eine leere Spur zusammengelegt. Wenn diese Spuren so miteinander kombiniert worden sind, können die ursprünglichen SPuren gelöscht und für weitere Aufnahmen verwendet werden.

Bei der Pingpong-Aufnahme werden z. B. zuerst die Spuren 1, 2 und 3 bespielt, dann mit Hilfe der Kanalfader usw. auf das korrekte Pegelverhältnis abgemischt und auf Spur 4 zusammengelegt. Dadurch haben Sie eine Mischung der ersten drei Spuren auf Spur 4 und die Spuren 1, 2 und 3 sind frei für weitere Aufnahmen. Damit können Sie bereits "6" Spuren auf einem Vierspurrekorder unterbringen. Während dem Abmischen der ersten drei Spuren auf Spur 4 kann gleichzeitig über die Mischeinheit des MT120S eine Aufnahme eines weiteren Instruments angelegt werden. Damit würde Spur 4 vier Stimmen enthalten. Da ja die ersten drei Spuren für die Aufnahme frei sind, stehen also insgesamt 7 Spuren zur Aufnahme zur Verfügung. Wenn Sie nun nur die ersten 2 Spuren bespielen und auf Spur 3 zusammenlegen und dabei gleichzeitig ein weiteres Instrument auf Spur 3 aufzeichnen haben Sie vier Stimmen auf Spur 4, 3 Stimmen auf Spur 2 und zwei weitere freie Spuren, d. h. insgesamt 9 Stimmen. Mit diesem Verfahren können tatsächlich bis 10 individuelle Stimmen aufgenommen werden, ohne eine Spur mehr als einmal bespielen zu müssen (siehe Abb.).

[Hinweis] Die Pingpong-Aufnahme oder Spurmischtaufnahme ist ein wichtiger Schritt. Die zusammengelegten Spuren müssen perfekt abgemischt sein, bevor weitere Spuren aufgenommen werden können. Dies ist ganz logisch, da ja nach dem Zusammenlegen der Spuren und Überspielen der ursprünglichen Spuren die Spurbalance und der Klang der kombinierten Spuren nicht mehr verändert werden kann. Bei einer schlechten Mischung muß daher das ursprüngliche Material noch einmal gespielt und aufgenommen werden.

[Hinweis] Für Pingpong-Aufnahmen sollte generell die dbx-Rauschunterdrückung zugeschaltet und eine Bandgeschwindigkeit von 9,5 cm/Sek. verwendet werden. Bei einer Bandgeschwindigkeit von 4,8 cm/Sek. und ausgeschalteter Rauschunterdrückung kann es nämlich zu Rückkopplungen kommen, wenn ein bespielte Spur auf eine benachbarte Spur umgelegt wird.

[Hinweis] Bei Pingpong-Aufnahmen erfolgt die Spuruweisung über die PAN-Regler. Daher sollten Sie nicht vergessen, daß auch die Signale auf der AUX RETURN-Schleife bei der Spurzusammenlegung mit aufgezeichnet werden. Falls Effekte nicht aufgezeichnet werden sollen, den AUX RETURN-Fader auf "0" absenken.

BEISPIEL: Aufzeichnung der Stimmen 1 bis 10 mit Pingpong-Aufnahme.

	Aufnahme von Stimme 1, 2 und 3.	Zusammenlegen von 1, 2 und 3 auf Spur 4 bei gleichzeitiger Synchronaufnahme von Stimme 4.	Aufnahme von Stimme 5 und 6.	Zusammenlegen von 5, 6 auf Spur 3 bei gleichzeitiger Synchronaufnahme von Stimme 7.	Aufnahme von Stimme 8.	Umlegen von 8 auf Spur 2 bei gleichzeitiger Synchronaufnahme von Stimme 9.	Aufnahme von Stimme 10-der letzten.
SPUR 1	1		5		8		10
SPUR 2	2		6			8 + 9	8 + 9
SPUR 3	3			5, 6 + 7	5, 6 + 7	5, 6 + 7	5, 6 + 7
SPUR 4		1, 2, 3 + 4	1, 2, 3 + 4	1, 2, 3 + 4	1, 2, 3 + 4	1, 2, 3 + 4	1, 2, 3 + 4

BEISPIEL FÜR EINE PINGPONG-AUFNAHME

Das folgende Beispiel zeigt, wie die Spuren 1, 2 und 3 auf Spur 4 zusammengelegt werden.

Zunächst die notwendigen Einstellungen:

• **INPUT SELECT-Schalter**

Die INPUT SELECT-Schalter der Kanäle 1 bis 3 auf TAPE und den von Kanal 4 auf OFF stellen.

• **Kanalfader**

Zuerst die Kanalfader 1 bis 3 auf ungefähr "7" einstellen und den Masterfader in Stellung "0" bringen.

• **REC SELECT-Schalter**

Die REC SELECT-Schalter 1 — 3 auf OFF und den REC SELECT-Schalter 4 auf "R" stellen.

• **AUX SEND-Regler**

Zunächst alle vier AUX SEND-Regler auf MIN stellen.

• **GRAPHIC EQ-Schalter**

Den Schalter zunächst ausrasten.

• **PAN-Regler**

Da der REC SELECT-Schalter 4 auf "R" gestellt ist, müssen die PAN-Regler 1 bis 3 ganz nach rechts gedreht werden, um die Signale der Spuren 1 bis 3 der Rekorder-spur 4 zuzuweisen. Der PAN-Regler für Kanal 4 kann auf die Mittelposition gestellt werden.

• **AUX RETURN-Regler**

Zunächst auf MIN stellen.

• **MONITOR SELECT-Schalter**

Auf MIX stellen, damit nur die Signale vom Rekorderteil des MT120S zu hören sind.

Zuerst die Kanalfader 1 bis 3 auf ungefähr "7" einstellen und Kanalfader 4 in Stellung "0" bringen.

• **MONITOR-Regler**

Die MONITOR-Regler der Kanäle 1 bis 3 ganz nach links zurückdrehen und den MONITOR-Regler 4 ungefähr in die Mittelstellung bringen, um den besten Mithörpegel zu bekommen.

1. Das Band wiedergeben. Die Einstellung des MASTER-Faders nach und nach erhöhen bis die bespielten Spuren zu hören sind und die Spitzenpegel auf Kanal 4 bei ungefähr "0" liegen (werden über die Spitzenwertanzeige für Kanal 4 aufgeführt). Den MONITOR-Regler für Spur 4 auf einen angemessenen Hörpegel einstellen.

2. Die Kanalfader 1, 2 und 3 vorsichtig einstellen, bis die erwünschte Balance zwischen den ersten drei Spuren erreicht ist. Aufgrund dieser Einstellungen kann sich die Spitzenwertanzeige für Kanal 4 beträchtlich verändern, was durch Verstellen des MASTER-Faders kompensiert werden muß.

3. Zu diesem Zeitpunkt kann der grafische Equalizer zugeschaltet werden, um den Klang der kombinierten Spuren abzugleichen.

4. Über die AUX SEND-Regler der Kanäle kann der Mischung ein Effekt hinzugefügt werden. Der Pegel des Effektsignals wird den AUX RETURN-Fader festgelegt.

5. Nachdem alle Einstellungen korrekt vorgenommen wurden, das Band zum Aufnahmestartpunkt zurückspulen und auf Aufnahme schalten. Nach Beenden der Pingpong-Aufnahme den Rekorder stoppen. Nun das Band zurückspulen, dann wiedergeben und dabei die Pingpong-Aufnahme sorgfältig mithören. Falls die Mischung nicht die Anforderungen erfüllt, die Pingpong-Aufnahme wiederholen. Diese Spurmischaufnahme kann beliebig oft wiederholt werden, bis das erwünschte Ergebnis erzielt wird. Danach kann neues Material aufgezeichnet und das alte Material auf den ersten drei Spuren gelöscht werden.

6. Nun die nächsten Spuren bespielen und gegebenenfalls auf Spur 3 zusammenlegen.

[Hinweis] Es wird nur das linke oder rechte Effektsignal aufgezeichnet. Falls der REC SELECT-Schalter auf L gestellt ist, wird nur das Signal des Effektprozessors aufgezeichnet, das an der L AUX RETURN-Buchse eintrifft. In der Stellung R des REC SELECT-Schalters wird gleichermaßen nur das Effektsignal aufgezeichnet, das an der R AUX RETURN-Buchse eintrifft.

MASTERMISCHUNG (STEREO-ABMISCHUNG)

Die Mastermischung ist die letzte Stufe des Aufnahmeprozesses, bei der das mehrspurige Masterband in ein Mono- oder Stereo-Masterband abgemischt wird. Dazu wird das Material auf den Spuren des MT120S mit der Mischeinheit abgemischt und mit einer herkömmlichen Stereobandmaschine aufgezeichnet. Dabei müssen die Spurpegel genauestens aufeinander abgestimmt werden, um den richtigen Klang und die erwünschte Mischung zu erzielen. Spuren können je nach Erfordernis ein- und ausgeblendet werden, während mit Hilfe von externen Klangprozessoren Halleffekte nachträglich eingefügt sowie Entzerrungen mit dem grafischen Equalizer durchgeführt werden können. Mit den PAN-Reglern des Mischmoduls kann die Position jeder Spur im Stereoklangbild bestimmt werden oder sogar eine Spur zwischen linkem und rechtem Kanal verschoben werden, um einen dramatischen Effekt zu erzielen.

Zunächst die notwendigen Einstellungen:

•INPUT SELECT-Schalter

INPUT SELECT-Schalter, die bespielten Spuren entsprechen, auf TAPE stellen.

•Kanalfader

Zuerst alle Kanalfader auf Stellung "0" absenken.

•REC SELECT-Schalter

Alle REC SELECT-Schalter auf OFF stellen.

•AUX SEND-Regler

Zunächst alle vier AUX SEND-Regler auf MIN stellen.

•GRAPHIC EQ-Schalter

Diesen zunächst ausrasten.

•PAN-Regler

Alle PAN-Regler vorerst in die Mittelstellung drehen.

•MASTER-Fader

Auf einen Wert zwischen "7" und "8" stellen.

•AUX RETURN-Regler

Vorerst auf MIN stellen.

•MONITOR SELECT-Schalter

Zur Überwachung der Stereo-Ausgangssignale auf STEREO stellen. Wir empfehlen jedoch zur Überwachung der Abmischung eine externe Stereoanlage oder Monitor-Lautsprecher mit integriertem Verstärker (wie das YAMAHA MS101 Monitor-Lautsprechersystem).

•MONITOR-Pegelregler

Alle MONITOR-Pegelregler bis zum Anschlag nach links drehen.

•METER-Schalter

ST

•dbx-Schalter

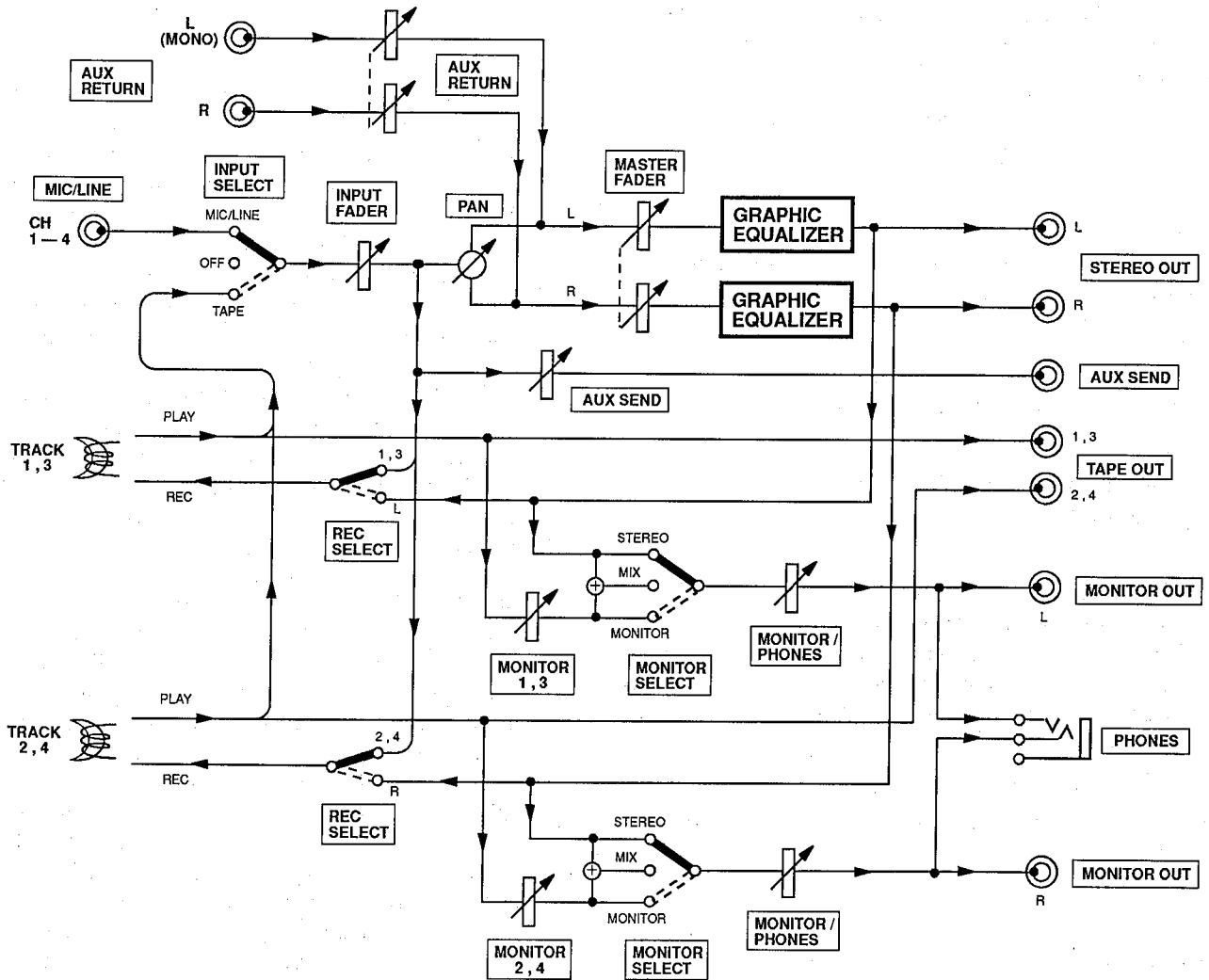
Falls die Aufnahmen mit dbx-Rauschunterdrückung angelegt wurden, den dbx-Schalter in der ON-Stellung belassen. Falls die Aufzeichnungen ohne dbx durchgeführt wurden, den Schalter auf OFF lassen.

1. Eine komfortable Hörposition vor den Monitor-Lautsprechern einnehmen.
2. Die einzelnen Spuren separat abhören und bewerten. Gegebenenfalls den Klang der Spuren einstellen. Dazu den Fader des Kanals verstellen, Effekte hinzufügen oder die Signale einen Prozessor durchlaufen lassen usw. Danach werden die anderen Spuren der Reihe nach überprüft und eingestellt. Der grafische Equalizer des MT120S kann nun zugeschaltet werden, um den Frequenzgang der Stereomischung abzustimmen. Falls ein externer Signalprozessor wie der YAMAHA Multi-Effect Processor EMP100 an den AUX SEND/RETURN-Buchsen des MT120S angeschlossen ist (siehe VERWENDUNG DER AUX SEND/RETURN-SCHLEIFE im nächsten Kapitel), muß nur der erwünschte Effekt abgerufen werden und dann der Effektanteil auf jeder Spur mit den AUX SEND-Reglern justiert werden. Der AUX RETURN-Regler muß ebenso auf einen angemessenen Pegel eingestellt werden.
3. Nachdem alle Spuren einzeln überprüft worden sind, alle Kanalfader auf 7 oder 8 einstellen und das Band wiedergeben. Die Fader nun auf eine optimale Balance zwischen den Kanälen einstellen und die Instrumente und Stimmen mit Hilfe der PAN-Regler im Klangbild positionieren. Bei Einschleifen von Effektgeräten auch den Effektklang beachten und gegebenenfalls mit AUX SEND und AUX RETURN-Reglern korrigieren. Ebenso auf exakte Balance achten. Es ist ausschlaggebend für eine erfolgreiche Mastermischung, daß alle Einstellungen korrekt sind. Daher sollten insbesondere vorgesehene Überblendungen und Pan-Effekte vor der endgültigen Stereoaufnahme geprobt werden, um Fehler und Zeitverlust zu vermeiden.
4. Nachdem sichergestellt wurde, daß alles bereit ist, kann die eigentliche Aufnahme der Mastermischung vorbereitet werden. Dazu die STEREO OUT-Buchsen des MT120S an den Eingängen eines Stereo-Kassetendecks anschließen. Die Aufnahmepegel über die entsprechenden Regler des Stereo-Kassetendecks und gegebenenfalls auch über den MASTER-Fader des MT120S aussteuern. Dann die Aufnahme durchführen. Mit dem MASTER-Fader kann am Ende der Aufnahme eine langsame Ausblendung durchgeführt werden.

VERWENDUNG DES GRAPHISCHEN EQUALIZERS

Das MT120S verfügt über einen graphischen 5-Band Equalizer. Wie das unten aufgeführte Blockdiagramm zeigt, durchlaufen die mit den PAN-Reglern zugewiesenen Signale (deren Pegel vom MASTER-Fader festgelegt wird) die Equalizer-Schaltkreise. Deshalb kann der graphische Equalizer bei der Pingpong-Aufnahme, bei der Stereoabmischung sowie bei der Aufnahme mit REC SELECT-Schalterstellung zugeschaltet werden. In den REC SELECT-Schalterstellungen 1 bis 4 hat der Equalizer keinen Effekt, weil die Signale in diesem Fall direkt zur entsprechenden Spur gesendet werden.

Der graphische Equalizer wirkt nur auf die Signalwege, die durch fette Linien gekennzeichnet sind.



VERWENDUNG DER TAPE OUT- UND STEREO SUB IN-BUCHSEN

Die TAPE OUT-Buchsen können dazu verwendet werden, die Band-Ausgänge an externe Mixer oder Effektgeräte anzulegen, oder um ein FSK Sync-Signal an alle MIDI-Wandler anzulegen oder einen MIDI-Sequenzer zu steuern.

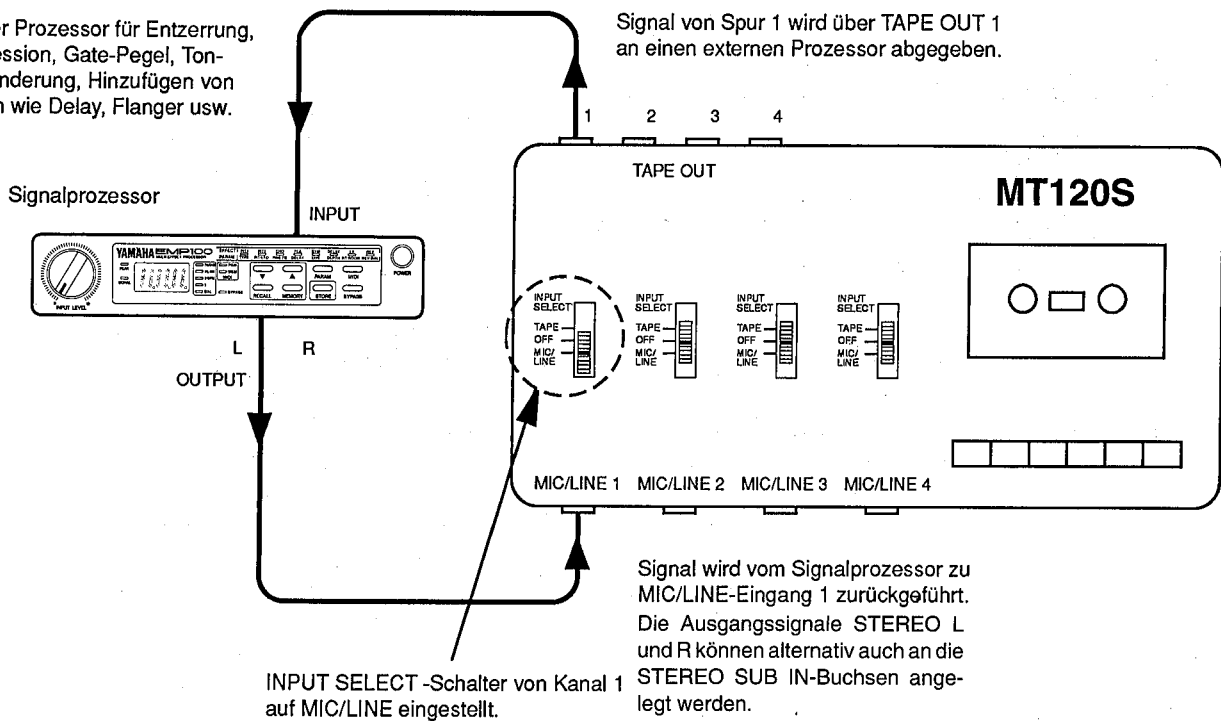
Beim Abmischen können einzelne Spuren mit einem Signalprozessor bearbeitet werden, welcher die Signale von der TAPE OUT-Buchse empfängt. Die bearbeiteten Signale können dann entweder zu einer Channel INPUT-Buchse zurückgeführt werden (siehe Zeichnung 1) oder zu den STEREO SUB IN-Buchsen.

Wenn Sie ein MIDI FSK Sync-Signal auf Channel 4 verwenden kann FSK beim letzten Abmischen von TAPE OUT 4/SYNC zu einem MIDI-Wandler wie dem YAHAMA YMC10 gesandt werden. Der YMC10 sendet MIDI Time Code (MTC) zu einem MIDI-Sequenzer oder Sequenzer/Tongenerator wie der YAMAHA QY20. Von dort an kann vorprogrammierte Musik zum letzten Abmischen zu den STEREO SUB IN-Buchsen zurückgeschickt werden. Auf diese Weise ist der Ausgang vom QY20 genau zeitlich mit den anderen Spuren auf dem Band abgestimmt (siehe Zeichnung 2).

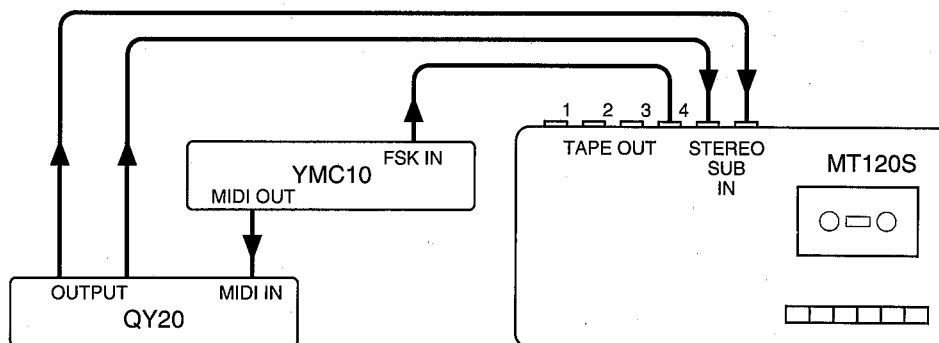
Der Vorteil eines MIDI Sync/Sequenzer-Setups ist, daß egal wie kompliziert das Synthesizer-Arrangement ist, immer nur eine Spur auf dem Band (Spur 4) verwendet wird und die anderen Spuren zur Aufnahme von Live-Instrumenten/Vokalparts freigelassen werden.

1. Externen Spurbearbeitung beim Mischen mit Hilfe der TAPE OUT-Buchsen

Externer Prozessor für Entzerrung, Kompression, Gate-Pegel, Tonhöhenänderung, Hinzufügen von Effekten wie Delay, Flanger usw.

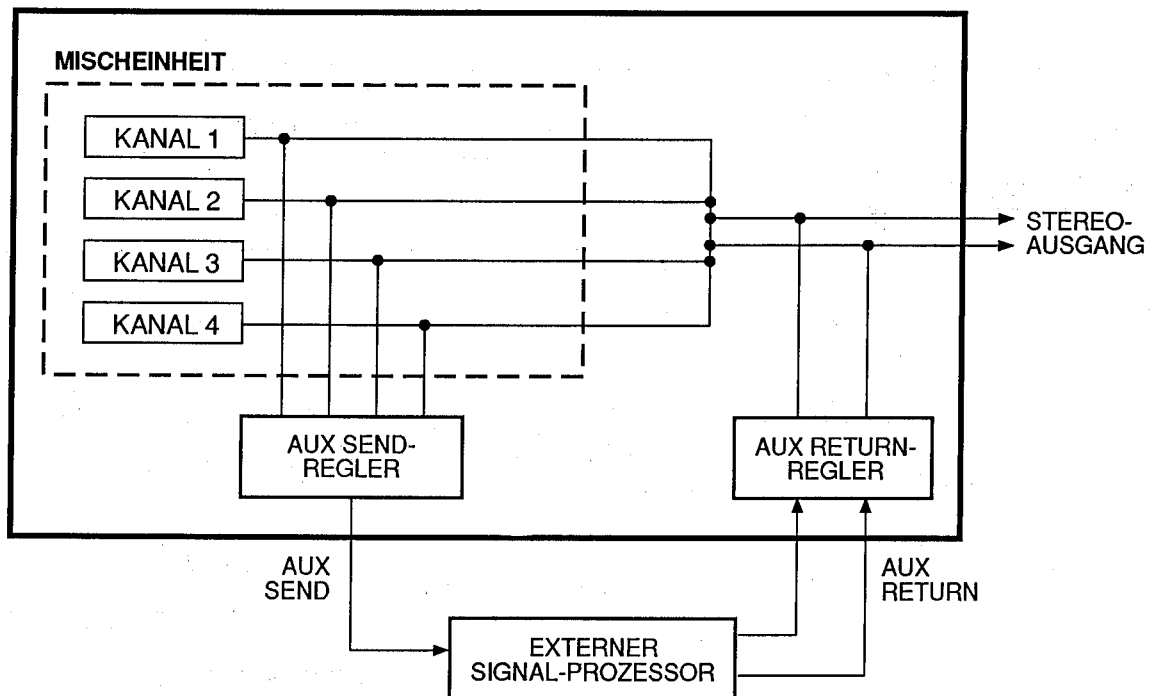


2. Verwendung eines vorher aufgenommenen FSK-Signals auf Spur 4, um ein Sequenzer-Setup anzu-steuern



VERWENDUNG DER AUX SEND/RETURN-SCHLEIFE

Die AUX SEND-Regler des MT120S wirken wie ein Sekundärmischmodul, das die Eingangssignale von den vier Kanälen des Mixers empfängt und in ein Mono-Signal verwandelt, das an die AUX SEND-Buchse gelegt wird (siehe Diagramm unten). Mit den AUX SEND-Reglern kann eine Effektmischung erzielt werden, die von der Hauptmischung vollkommen unabhängig ist. Dadurch kann ein Effekt auf jedem Kanal mit unterschiedlichem Grad wirken. Das AUX SEND-Signal wird dann zum Eingang eines externen Signalprozessors (Reverb, Echo oder andere Effektgeräte) geschickt und dann von den Ausgängen des Prozessors über die AUX IN-Buchsen zum MT120S zurückgesendet. Der Pegel des an den AUX IN-Buchsen eintreffenden Signals kann mit dem AUX RETURN-Regler justiert werden. Das resultierende Signal wird dann mit den Stereo-Mastersignalen des MT120S zusammengelegt. Da das zurückgegebene Effektsignal mit dem Stereo-Ausgangssignal der Mischeinheit kombiniert wird, eignet sich die AUX SEND/RETURN-Schleife bei der endgültigen Abmischung besonders zum Hinzufügen von Effekten in einzelnen Spuren. In diesem Fall müssen die Spuren über die PAN-Regler zugewiesen werden (siehe Seite 65).



[Hinweis] Da die AUX SEND/RETURN-Schleife das Effektsignal an die Stereo-Ausgänge der Mischeinheit zurückführt, können den einzelnen Kanälen auch bei Pinpong-Aufnahmen Effekte hinzugefügt werden, falls die Kanaluweisung über die PAN-Regler erfolgt. Die AUX SEND/RETURN-Schleife kann jedoch nicht zum Einblenden von Effekten verwendet werden, falls die Aufnahmespuren mit der direkten Kanal/Spurzuweisung den Kanälen zuordnet worden sind.

PUNCH-IN/OUT-AUFNAHME (EINFÜGAUFNAHME)

Einfügaufnahme ist ein Verfahren, mit dem ein kurzes Segment einer bereits aufgezeichneten Spur neu aufgenommen wird, um Fehler zu korrigieren oder Verbesserungen vorzunehmen. An der Stelle, wo das einzufügende Segment beginnen soll, schalten Sie die betreffende Spur auf Aufnahme (Punch-in) und nehmen Sie das neue Segment auf. Wenn das neue Segment aufgenommen ist, schalten Sie wieder auf Wiedergabe (Punch-out).

Neben den normalen Punch-in- und Punch-out-Funktionen bietet dieses Gerät auch einen Übungsmodus. Damit können Sie durch den ganzen Vorgang des Einfügens gehen, ohne daß eine tatsächliche Aufnahme stattfindet, so daß Sie diese Verfahren üben können, ohne vorhandenes Material zu beeinträchtigen.

Übungsmodus

1. Um auf den Übungsmodus zu schalten, muß mindestens einer der REC SELECT-Schalter in einer anderen Stellung als OFF stehen. Wenn auf Übungsmodus geschaltet ist, können die REC SELECT-Schalter auf OFF zurückgestellt werden, wenn nötig.
2. Drücken Sie die REC/PAUSE- und STOP-Taste gleichzeitig. Die rote REC/PAUSE-Anzeige leuchtet jetzt Gelb.
3. Durch Punch-in und Punch-out-Verfahren wird jetzt keine tatsächliche Aufnahme gemacht, so daß Sie dieses Bedienungsverfahren üben können.
4. Um auf normalen Aufnahmemodus zurückzuschalten, drücken Sie die REC/PAUSE- und STOP-Tasten gleichzeitig, und die REC/PAUSE-Anzeige schaltet auf Rot zurück.

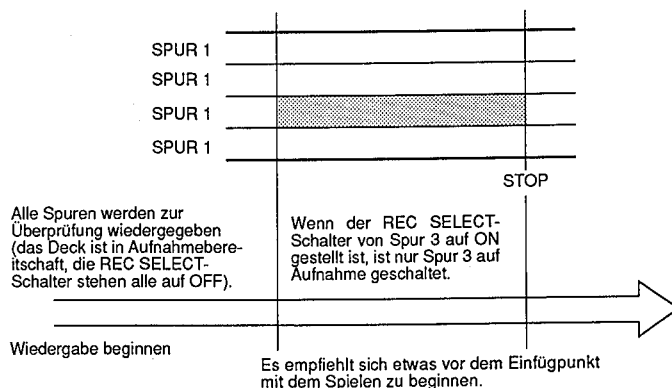
Einfügaufnahme mit REC SELECT-Schaltern

1. Stellen Sie sicher, daß alle REC SELECT-Schalter auf OFF gestellt wird, und der MONITOR SELECT-Schalter auf MONITOR, so daß alle Spuren gehört werden.
2. Das Band zu einer Stelle einige Sekunden vor der Aufnahme-stelle fahren. Es ist ratsam, das Zählwerk zurückzustellen und ZERO STOP einzuschalten, so daß Sie zu dieser Stelle zurückkommen können.
3. Den Recorder durch Drücken von REC/PAUSE und PLAY auf Aufnahmebereitschaft stellen. Die REC/PAUSE-Anzeige blinkt und zeigt an, daß das Bandlaufwerk starbereit ist.
4. An einer geeigneten Stelle im Stück führen Sie den Punch-in-Schritt aus, indem Sie den REC SELECT-Schalter für diese Spur in die richtige Aufnahme-stellung stellen. Die REC/PAUSE-Anzeige hört zu blinken auf und leuchtet kontinuierlich. Was jetzt gespielt wird, wird aufgenommen (ausgenommen wenn auf Übungsmodus geschaltet ist).
5. Am Ende des neu aufgenommenen Segments führen Sie Punch-out durch, indem Sie den(die) REC SELECT-Schalter auf OFF zurückstellen. Das Band läuft weiter und die REC/PAUSE-Anzeige blinkt.

Einfügaufnahme mit Fußschalter

Denken Sie daran, daß alle folgenden Schritte auch im Übungsmodus ausgeführt werden können (gelbe REC/PAUSE-Anzeige)

1. Den Fußschalter YAMAHA FC04 oder FC05 (getrennt erhältlich) an die Buchse PUNCH I/O des MT120S anschließen.
2. Dem REC SELECT-Schalter für die betreffende Spur auf Aufnahme stellen. Die REC/PAUSE-Anzeige blinkt langsam.
3. Drücken Sie die REC/PAUSE-Taste, um auf Aufnahmepause zu schalten. Die REC/PAUSE-Anzeige blinkt schnell.
4. Drücken Sie den Fußschalter, um das Band abzuspielen (noch keine Aufnahme). (Sie können auf PLAY drücken.)
5. Drücken Sie den Fußschalter erneut an der Einfüg-Anfangsstelle. Die REC/PAUSE-Anzeige leuchtet jetzt kontinuierlich, und was jetzt gespielt wird, wird aufgezeichnet (ausgenommen wenn auf Übungsmodus geschaltet ist).
6. An der Einfüg-Endstelle drücken Sie den gleichen Fußschalter erneut. Die REC/PAUSE-Anzeige blinkt wieder. Die Schritte 5 und 6 können so oft wiederholt werden, wie erforderlich.
7. Am Ende des Abschnitts, der Einfügaufnahme erforderte, drücken Sie die STOP-Taste.



WARTUNG

Die Pflege des MT120S soll dazu beitragen, daß die Tonköpfe immer in bestmöglichem Zustand sind. Dazu müssen zwei Bedingungen erfüllt werden — sie müssen sauber sein, und es muß dafür gesorgt werden, daß sie nicht magnetisiert werden.

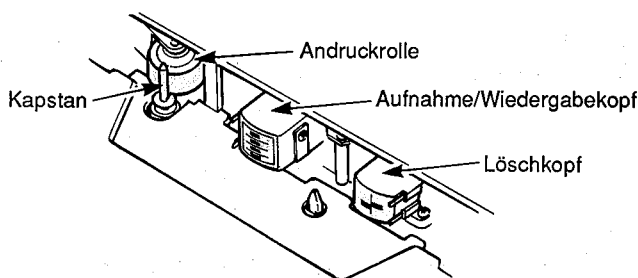
Während sich das Magnetband über die Bandköpfe bewegt, wird bewirkt, daß ein winziger Anteil von Magnetismus auf den Köpfen verbleibt (ähnlich wie wenn man einen Magneten über eine Nagel streicht). Im Laufe der Zeit kann sich dieser Magnetismus zu einem solchen Grad steigern, daß der Tonkopf magnetisiert wird, so daß er wiederum die Bandinhalte des darüber hinwegbewegten Magnetbandes beeinträchtigt.

Um dies zu vermeiden, empfehlen wir die Verwendung eines im Fachhandel erhältlichen Entmagnetisierer für die Bandköpfe nach jeweils 10 Stunden Spiel/Aufnahmezeit. Solch häufige Verwendung mag übertrieben erscheinen, aber die Resultate sind es wert.

Die Wiedergabe-Aufnahmekopfanordnung des MT120S besteht aus Teilen, die auf kleinste Toleranzen gefertigt sind, um hochwertige 4-Spuraufnahmen zu ermöglichen. Eine optimale Leistung läßt sich daher nur erzielen, wenn die Kopfoberflächen äußerst saubergehalten werden. Die Reinigung sollte in regelmäßigen Abständen ausgeführt werden, zumindest alle 10 Betriebsstunden. Verschmutzte Tonköpfe führen zu einem oder mehrerer der nachfolgend aufgeführten Probleme:

- Aufnahme, Wiedergabe und Löschung nicht möglich.
- Verminderte Wiedergabepegel.
- Pegelschwankungen und/oder Klangverzerrungen.
- Übermäßiges Rauschen
- Pegelabfall im Höhenbereich.

Falls eines der oben genannten Symptome auftritt, zunächst die Köpfe sorgfältig reinigen, bevor auf eine Störung am Deck untersucht wird. Zur Reinigung einen im Handel erhältlichen Reinigungssatz (dessen Anleitung sorgfältig beachten) oder Wat-testäbchen mit Reinigungsalkohol verwenden. Gleichzeitig mit den Köpfen die Andruckrolle säubern.



* Die schraffierten Bereiche reinigen.

TECHNISCHE DATEN

BANDTRANSPORT

Bandsorte	Chromband (70 μ s EQ)
Tonköpfe	Permalloy Vierkanal-Aufnahme/Wiedergabekopf, Vierkanal-Ferritlöschkopf
Bandgeschwindigkeit	4,8 cm/Sek., 9,5 cm/Sek.
Tonhöhenreglung	Ca. $\pm 10\%$
Gleichlaufschwankungen	Unter 0,12% WRMS (4,8 cm/Sek.)
Umspulzeit	Ca. 110 Sek. bei C-60 Bändern
Motor	DC-Servomotor

ANSCHLÜSSE

Input 1 bis 4	Eingangsimpedanz	10 kOhm
	Nenningangspegel	-10 dB bis -50 dB (Fader nominal)
	Max. Eingangspegel	+10 dB (Verstärkungsregler auf MIN.)
	Min. Eingangspegel	-56 dB (Verstärkungsregler, Fader MAX.)
STEREO SUB IN L&R	Eingangsimpedanz	10 kOhm
	Nenningangspegel	-10 dB
AUX RETURN L&R	Eingangsimpedanz	10 kOhm
	Nenningangspegel	-10 dB (Fader nominal)
	Min. Eingangspegel	-16 dB (Fader MAX.)
STEREO OUT L & R	Ausgangsimpedanz	1 kOhm
	Lastimpedanz	Über 10 kOhm
	Nennausgangspegel	-10 dB an 10 kOhm
PHONES (STEREO)	Lastimpedanz	8 bis 40 Ohm
	Max. Ausgangsleistung	45 mW + 45 mW/40 Ohm
TAPE OUT 1 bis 4	Ausgangsimpedanz	1 kOhm
	Lastimpedanz	Über 10 kOhm
	Nennausgangspegel	-10 dB an 10 kOhm
AUX SEND	Ausgangsimpedanz	1 kOhm
	Lastimpedanz	Über 10 kOhm
	Nennausgangspegel	-10 dB an 10 kOhm
MONITOR OUT L & R	Ausgangsimpedanz	1 kOhm
	Lastimpedanz	Über 10 kOhm
	Nennausgangspegel	-10 dB an 10 kOhm

ELEKTRISCHE DATEN

Frequenzgang (NR OUT)	40 Hz bis 18 kHz, +3/-5 dB bei 9,5 cm/Sek. 40 Hz bis 13 kHz, +3/-5 dB bei 4,8 cm/Sek.
Rauschabstand (3 % Gesamtklirrfaktor)	85 dB, dbx ON, IHF-A
Verzerrung	1,0 % bei 400 Hz, dbx ON, -13 dB Aufnahmepegel
Kanaltrennung	Mehr als 65 dB bei 1 kHz, dbx ON, (B.P.F)
Löschfaktor	Über 70 dB bei 1 kHz, dbx ON
Rauschunterdrückung	dbx*
Graphic Equalizer	100, 400, 1k, 5k, 10kHz (± 10 dB), Q = 0,7

ALLGEMEINES

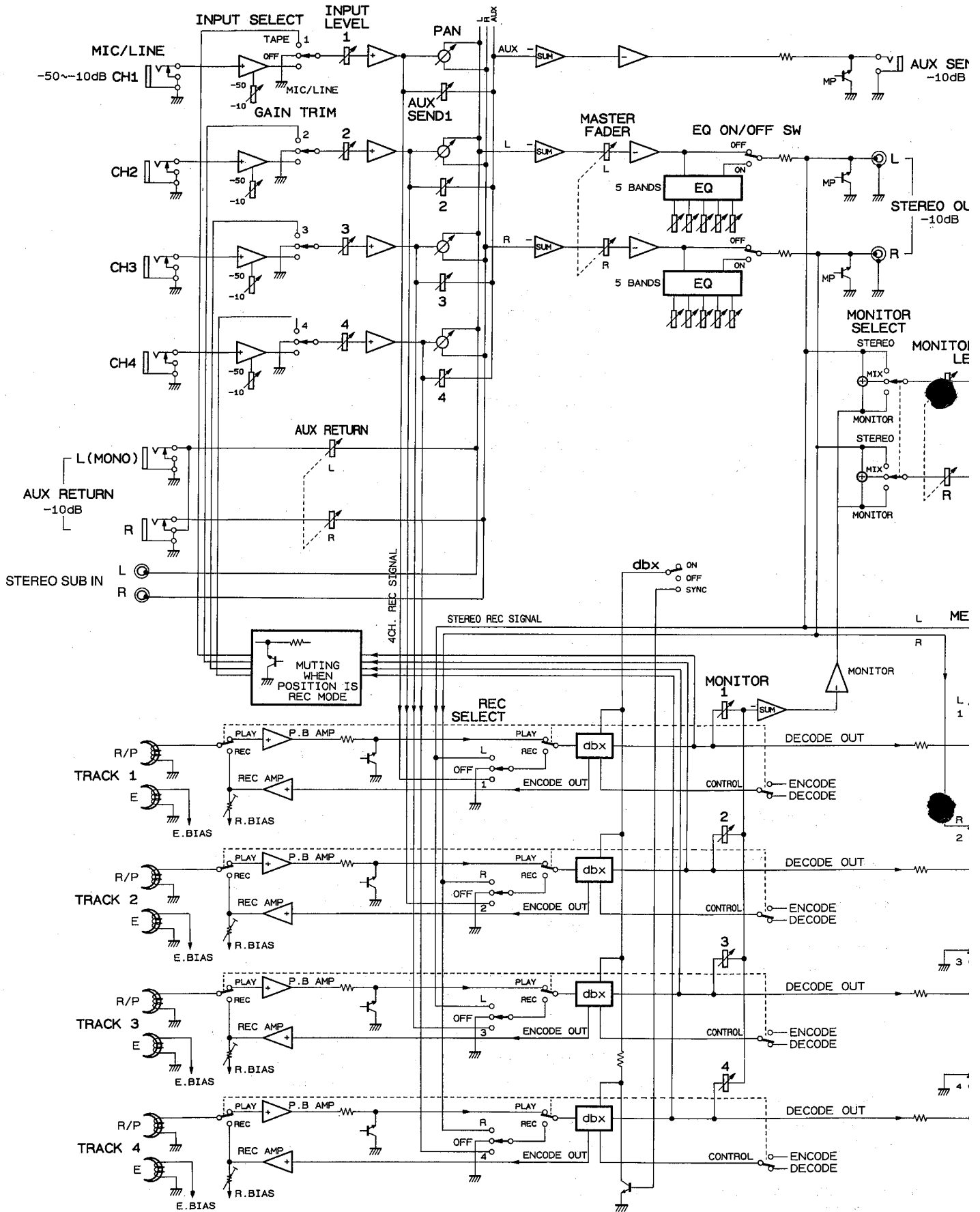
Netzanschluss	US & Kanada-Modell: 120 V Wechselspannung, 60 Hz UK Modell: 240 V Wechselspannung, 50 Hz Allgemeines Modell: 230 V Wechselspannung, 50 Hz
Leistungsaufnahme	16 W
Abmessungen(BxHxT)	410 x 80.8 x 237 mm
Gewicht	2,6 kg

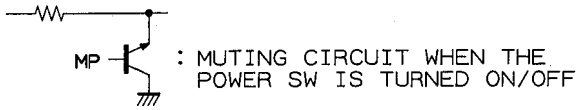
* dbx ist das Markenzeichen von dbx Incorporated.

0 dB = 0,775 Vr.m.s.

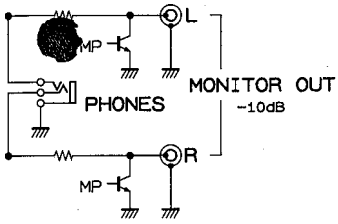
Änderungen an technischen Daten und Design ohne Vorankündigung bleiben vorbehalten.

BLOCK DIAGRAM / SCHEMA DE PRINCIPE / BLOCKDIAGRAMM

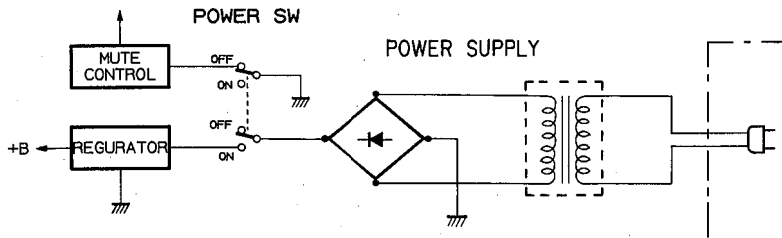
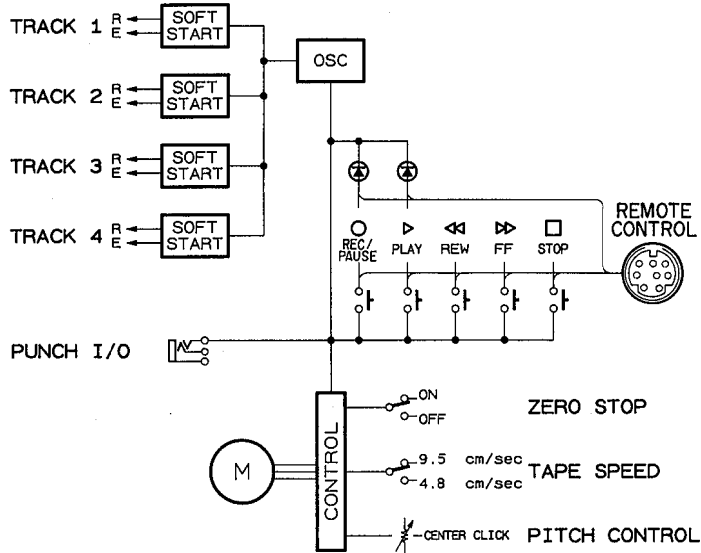
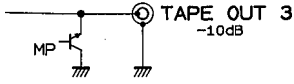
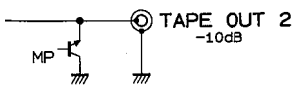
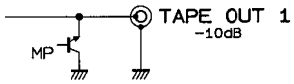
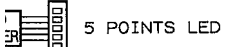




S



EL DICATOR



CAUTION

The power switch does not disconnect the complete apparatus from the mains line.

ATTENTION

L'appareil reste toujours sous tension lorsque la touche secteur est en position arrêt.

ACHTUNG

Das Gerät steht auch bei der Netzschalter-Stellung "Aus" noch unter Spannung.

OBSERVERA

Apparaten kopplas inte bort från växelströmskällan (nätet) så länge som den är ansluten till vägguttaget, även om själva apparaten har stängts av.

ADVARSEL

Netspændingen til dette apparat er IKKE afbrudt, så længe netledningen sidder i en stikkontakt, som er t endt - også selvom der er slukket på apparatets afbryder.

VAROITUS

Laitteen toisiopiiriin kytketty käyttökytin ei irroita koko laitetta verkosta.

AVVERTENZA

L'apparecchio rimane sotto tensione anche quando è spento tramite l'interruttore principale.

SERVICE

This product is supported by YAMAHA's worldwide network of factory trained and qualified dealer service personnel. In the event of a problem, contact your nearest YAMAHA dealer.

ENTRETIEN

L'entretien de cet appareil est assuré par le réseau mondial YAMAHA de personnel d'entretien qualifié et formé en usine des concessionnaires. En cas de problème, prendre contact avec le concessionnaire YAMAHA le plus proche.

KUNDENDIENST

Für dieses Gerät steht das weltweite YAMAHA Kundendienstnetz mit qualifiziertem, werksgeschultem Personal zur Verfügung. Bei Störungen und Problemen wenden Sie sich bitte an Ihren YAMAHA-Händler.

YAMAHA