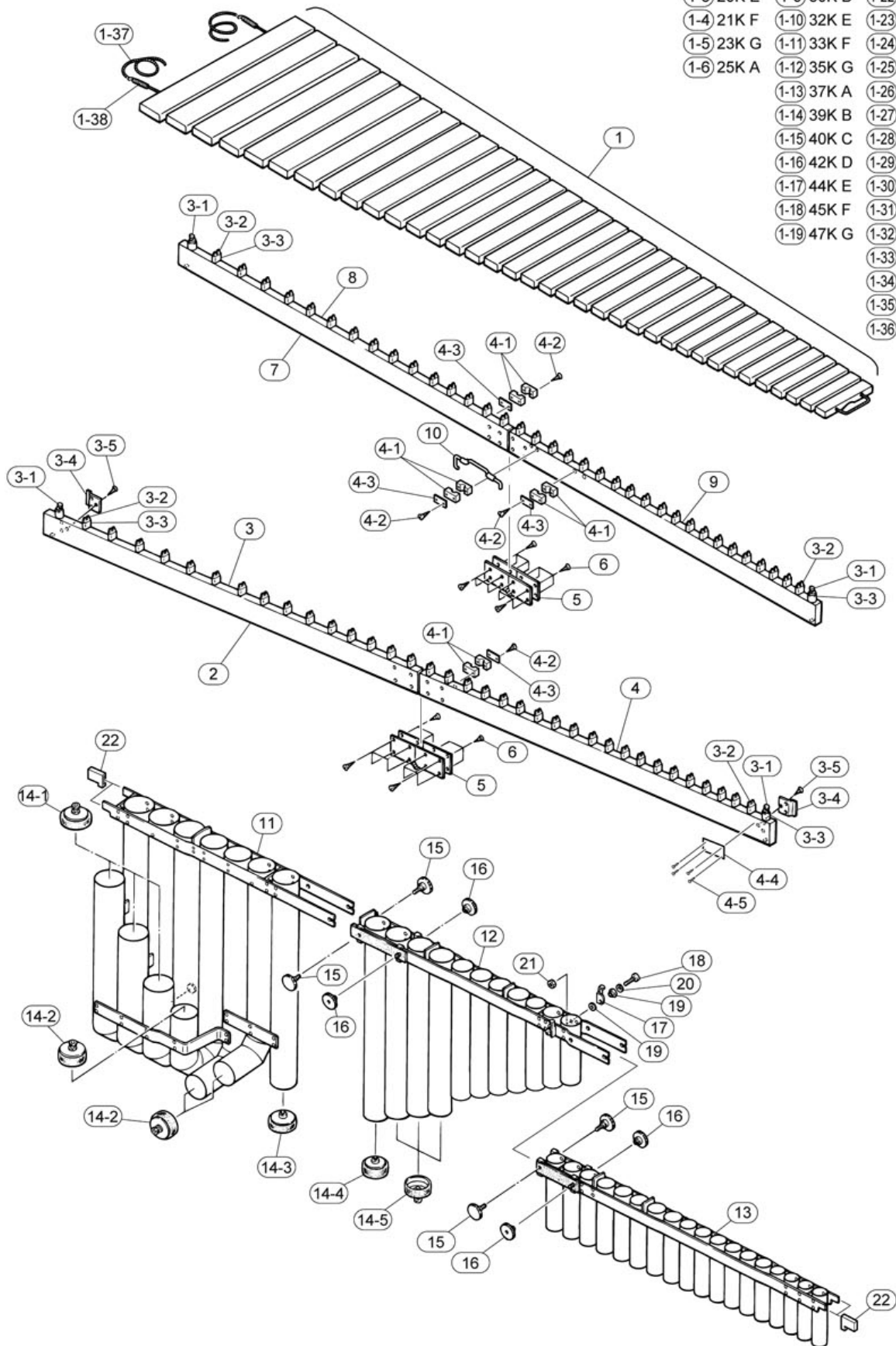


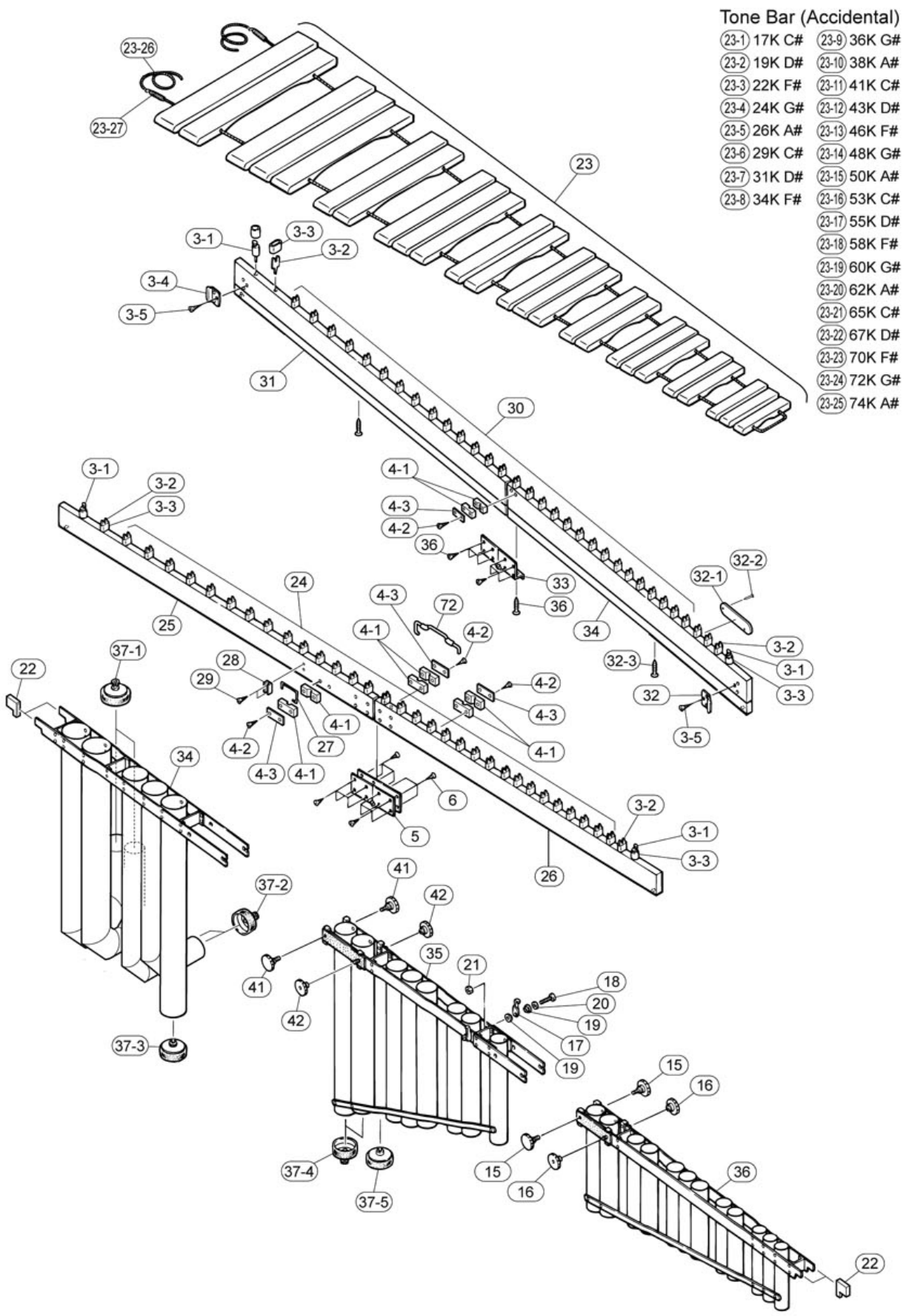
Model Name : YM-6100

Tone Bar (Natural)

- | | | |
|-------------|--------------|--------------|
| (1-1) 16K C | (1-7) 27K B | (1-20) 49K A |
| (1-2) 18K D | (1-8) 28K C | (1-21) 51K B |
| (1-3) 20K E | (1-9) 30K D | (1-22) 52K C |
| (1-4) 21K F | (1-10) 32K E | (1-23) 54K D |
| (1-5) 23K G | (1-11) 33K F | (1-24) 56K E |
| (1-6) 25K A | (1-12) 35K G | (1-25) 57K F |
| | (1-13) 37K A | (1-26) 59K G |
| | (1-14) 39K B | (1-27) 61K A |
| | (1-15) 40K C | (1-28) 63K B |
| | (1-16) 42K D | (1-29) 64K C |
| | (1-17) 44K E | (1-30) 66K D |
| | (1-18) 45K F | (1-31) 68K E |
| | (1-19) 47K G | (1-32) 69K F |
| | | (1-33) 71K G |
| | | (1-34) 73K A |
| | | (1-35) 75K B |
| | | (1-36) 76K C |



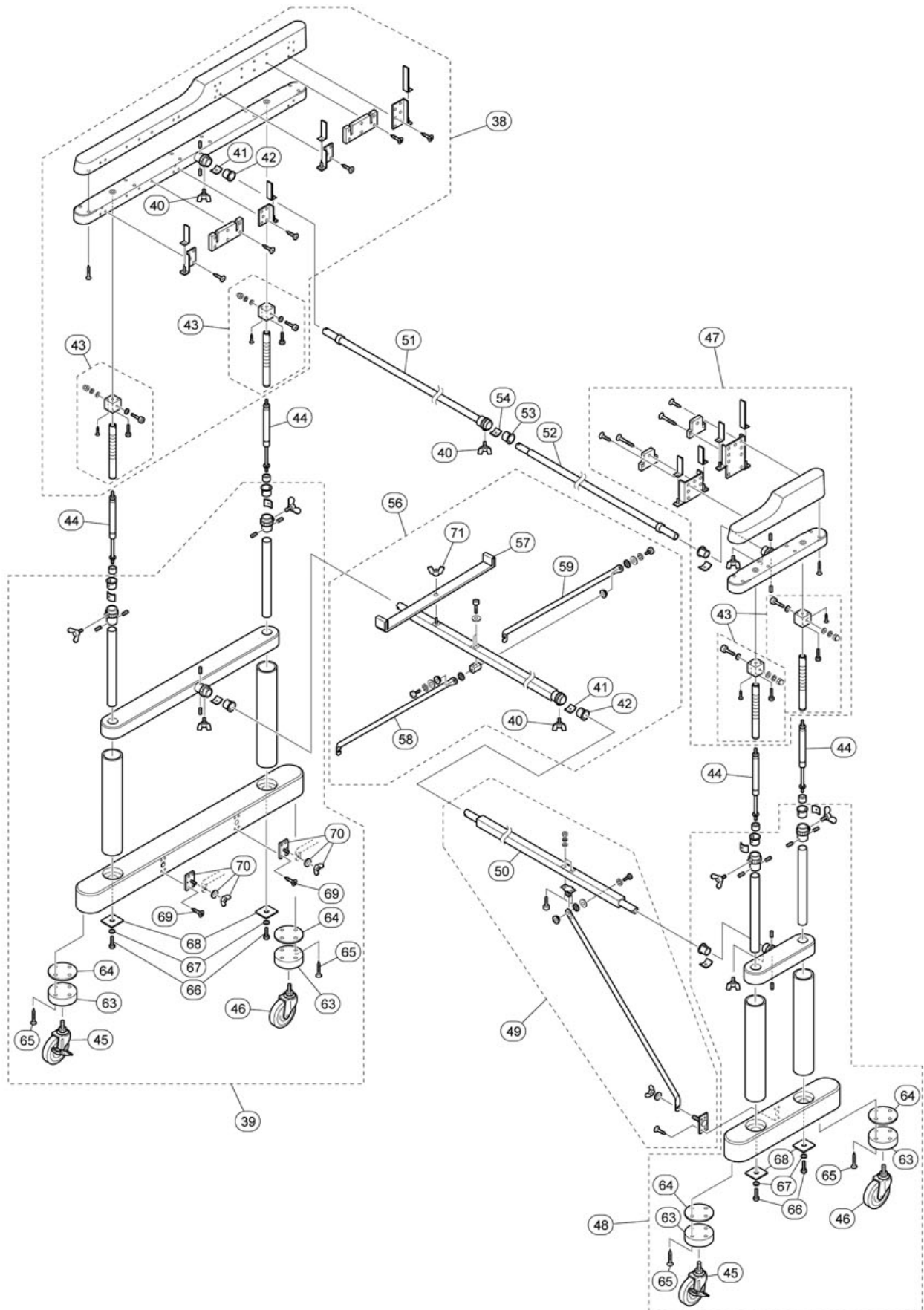
Model Name : YM-6100



Tone Bar (Accidental)

- (23-1) 17K C#
- (23-2) 19K D#
- (23-3) 22K F#
- (23-4) 24K G#
- (23-5) 26K A#
- (23-6) 29K C#
- (23-7) 31K D#
- (23-8) 34K F#
- (23-9) 36K G#
- (23-10) 38K A#
- (23-11) 41K C#
- (23-12) 43K D#
- (23-13) 46K F#
- (23-14) 48K G#
- (23-15) 50K A#
- (23-16) 53K C#
- (23-17) 55K D#
- (23-18) 58K F#
- (23-19) 60K G#
- (23-20) 62K A#
- (23-21) 65K C#
- (23-22) 67K D#
- (23-23) 70K F#
- (23-24) 72K G#
- (23-25) 74K A#

Model Name : YM-6100



Model Name : YM-6100

Ref No.	Parts No.(ChangeNo.)	English Name	Minimum Delivery	Accept order or not
1	W5032000	TONE BAR ASSY(NATURAL) YM6000, YM6100	1 PC	
1-1	W5032010	TONE BAR 16K C YM6000, YM6100	1 PC	
1-10	W5032100	TONE BAR 32E YM6000, YM6100	1 PC	
1-11	W5032110	TONE BAR 33F YM6000, YM6100	1 PC	
1-12	W5032120	TONE BAR 35G YM6000 , YM6100	1 PC	
1-13	W5032130	TONE BAR 37A YM6000, YM6100	1 PC	
1-14	W5032140	TONE BAR 39B YM6000, YM6100	1 PC	
1-15	W5032150	TONE BAR 40C YM6000, YM6100	1 PC	
1-16	W5032160	TONE BAR 42D YM6000, YM6100	1 PC	
1-17	W5032170	TONE BAR 44E YM6000, YM6100	1 PC	
1-18	W5032180	TONE BAR 45F YM6000, YM6100	1 PC	
1-19	W5032190	TONE BAR 47G YM6000, YM6100	1 PC	
1-2	W5032020	TONE BAR 18K D YM6000, YM6100	1 PC	
1-20	W5032200	TONE BAR 49A YM6000, YM6100	1 PC	
1-21	W5032210	TONE BAR 51B YM6000, YM6100	1 PC	
1-22	W5032220	TONE BAR 52C YM6000, YM6100	1 PC	
1-23	W5032230	TONE BAR 54D YM6000, YM6100	1 PC	
1-24	W5032240	TONE BAR 56E YM6000, YM6100	1 PC	
1-25	W5032250	TONE BAR 57F YM6000, YM6100	1 PC	
1-26	W5032260	TONE BAR 59G YM6000, YM6100	1 PC	
1-27	W5032270	TONE BAR 61A YM6000, YM6100	1 PC	
1-28	W5032280	TONE BAR 63B YM6000, YM6100	1 PC	
1-29	W5032290	TONE BAR 64C YM6000, YM6100	1 PC	
1-3	W5032030	TONE BAR 20E YM6000, YM6100	1 PC	
1-30	W5032300	TONE BAR 66D YM6000, YM6100	1 PC	
1-31	W5032310	TONE BAR 68E YM6000, YM6100	1 PC	
1-32	W5032320	TONE BAR 69F YM6000, YM6100	1 PC	
1-33	W5032330	TONE BAR 71G YM6000, YM6100	1 PC	
1-34	W5032340	TONE BAR 73A YM6000, YM6100	1 PC	
1-35	W5032350	TONE BAR 75B YM6000, YM6100	1 PC	
1-36	W5032360	TONE BAR 76C YM6000, YM6100	1 PC	
1-37	WWQ18630	Tone bar sus.cord(braided vinylon)YM6100	1 PC	
1-38	W5110010	CODE TENSION SPRING (L) YT, YV	1 PC.	
1-4	W5032040	TONE BAR 21K F YM6000, YM6100	1 PC	
1-5	W5032050	TONE BAR 23K G YM6000, YM6100	1 PC	
1-6	W5032060	TONE BAR 25A YM6000, YM6100	1 PC	
1-7	W5032070	TONE BAR 27K B YM6000, YM6100	1 PC	
1-8	W5032080	TONE BAR 28K C YM6000, YM6100	1 PC	
1-9	W5032090	TONE BAR 30D YM6000, YM6100	1 PC	
10	WWP35030	Rail Joint(Front) YM6100	1 PC.	

Model Name : YM-6100

Ref No.	Parts No.(ChangeNo.)	English Name	Minimum Delivery	Accept order or not
11	WWP33990	Natural Tone Resonators Ass'y(Low) YM610	1 PC.	
12	WWP34340	Natural Tone Resonators Ass'y(Mid.) YM61	1 PC.	
13	WWP34530	Natural Tone Resonators Ass'y(High) YM61	1 PC.	
14-1	WWP34220	Resonators Adjusting Cap Ass'y A YM6100	1 PC.	
14-2	WWP34280	Resonators Adjusting Cap Ass'y B-1 YM610	1 PC.	
14-3	WWP34290	Resonators Adjusting Cap Ass'y B-2 YM610	1 PC.	
14-4	WWP34510	Resonators Adjusting Cap Ass'y C-1 YM610	1 PC.	
14-5	WWP34520	Resonators Adjusting Cap Ass'y C-2 YM610	1 PC.	
15	WWP34670	Resonators Connecting Bolt YM6100	1 PC.	
16	WWP34680	Resonators Connecting Nut YM6100	1 PC.	
17	WV434380	PIPE SUSPENSION HOLDER YM5100A	1 PC	
18	WV435320	Pan Head Screw M5x15 MFZNZY YM6100	1 PC.	
19	WWP34580	Nylon Bushing(Small) YM6100	1 PC.	
2	WWP34750	Rail No.1Assy YM6100	1 PC.	
20	WWJ54340	Spring Washer YM6100	1 PC.	
21	WV435850	Hexagonal Nut YM6100	1 PC.	
22	WV430520	SUSPENSION PROTECTOR YM5100A	1 PC	
23	W5081000	TONE BAR ASS'Y (ACCIDENTAL)YM6000, YM6100	1 PC	
23-1	W5081010	TONE BAR C#17K YM6000, YM6100	1 PC	
23-10	W5081100	TONE BAR A#38K YM6000, YM6100	1 PC	
23-11	W5081110	TONE BAR C#41K YM6000, YM6100	1 PC	
23-12	W5081120	TONE BAR D#43K YM6000, YM6100	1 PC	
23-13	W5081130	TONE BAR F#46K YM6000, YM6100	1 PC	
23-14	W5081140	TONE BAR G#48K YM6000, YM6100	1 PC	
23-15	W5081150	TONE BAR A#50K YM6000, YM6100	1 PC	
23-16	W5081160	TONE BAR C#53K YM6000, YM6100	1 PC	
23-17	W5081170	TONE BAR D#55K YM6000, YM6100	1 PC	
23-18	W5081180	TONE BAR F#58K YM6000, YM6100	1 PC	
23-19	W5081190	TONE BAR G#60K YM6000, YM6100	1 PC	
23-2	W5081020	TONE BAR D#19K YM6000, YM6100	1 PC	
23-20	W5081200	TONE BAR A#62K YM6000, YM6100	1 PC	
23-21	W5081210	TONE BAR C#65K YM6000, YM6100	1 PC	
23-22	W5081220	TONE BAR D#67K YM6000, YM6100	1 PC	
23-23	W5081230	TONE BAR F#70K YM6000, YM6100	1 PC	
23-24	W5081240	TONE BAR G#72K YM6000, YM6100	1 PC	
23-25	W5081250	TONE BAR A#74K YM6000, YM6100	1 PC	
23-26	WWQ18630	Tone bar sus.cord(braided vinylon)YM6100	1 PC	
23-27	W5110010	CODE TENSION SPRING (L) YT, YV	1 PC.	
23-3	W5081030	TONE BAR F#22K YM6000, YM6100	1 PC	
23-4	W5081040	TONE BAR G#24K YM6000, YM6100	1 PC	

Model Name : YM-6100

Ref No.	Parts No.(ChangeNo.)	English Name	Minimum Delivery	Accept order or not
23-5	W5081050	TONE BAR A#26K YM6000, YM6100	1 PC	
23-6	W5081060	TONE BAR C#29K YM6000, YM6100	1 PC	
23-7	W5081070	TONE BAR D#31K YM6000, YM6100	1 PC	
23-8	W5081080	TONE BAR F#34K YM6000, YM6100	1 PC	
23-9	W5081090	TONE BAR G#36K YM6000, YM6100	1 PC	
24	WWP34770	Rail No.3Assy YM6100	1 PC.	
25	WWP34850	Rail No.3-1Assy YM6100	1 PC.	
26	WWP34860	Rail No.3-2Assy YM6100	1 PC.	
27	W5134870	RAIL JOINT (MIDDLE) YM6000	1 PC	
28	WV430720	RAIL CRAMP HOLDER YM5100A	1 PC	
29	WV435680	FLAT HEAD WOOD SCREW 2.4X13(6)	1 PC	
3	WWP34800	Rail No.1-1Assy YM6100	1 PC.	
3-1	W5134570	TONE BAR SUSPENSION POST(M)	1 PC	
3-2	W5134580	TONE BAR SUSPENSION POST(L)	1 PC	
3-3	W5134650	RUBBER INSULATOR	1 PC	
3-4	W5134620	RAIL HOLDER	1 PC	
3-5	WV450440	Flat Head Wood Screw 4.1x20 MFNI33 YM610	1 PC.	
30	WWP34780	Rail No.4Assy YM6100	1 PC.	
31	WWP34870	Rail No.4-1Assy YM6100	1 PC.	
32	WWP34880	Rail No.4-2Assy YM6100	1 PC.	
32-1	WV318960	Name Plate YM6100	1 PC.	
32-2	WV435660	Round Head Wood Screw YM6100	1 PC.	
32-3	WV450570	Flat Head Wood Screw YM6100	1 PC.	
33	W5134660	RAIL HINGE 4 YM6000	1 PC	
34	WWP34540	Accidental Tone Resonators Ass'y(Low) YM	1 PC.	
35	WWP34550	Accidental Tone Resonators Ass'y(Mid.) Y	1 PC.	
36	WWP34560	Accidental Tone Resonators Ass'y(High) Y	1 PC.	
37-1	WWP34220	Resonators Adjusting Cap Ass'y A YM6100	1 PC.	
37-2	WWP34280	Resonators Adjusting Cap Ass'y B-1 YM610	1 PC.	
37-3	WWP34290	Resonators Adjusting Cap Ass'y B-2 YM610	1 PC.	
37-4	WWP34520	Resonators Adjusting Cap Ass'y C-2 YM610	1 PC.	
37-5	WWP34510	Resonators Adjusting Cap Ass'y C-1 YM610	1 PC.	
38	WW102140	Frame End Ass'y(Low Tone End Side)YM6100	1 PC.	
39	WWP35150	Leg Ass'y (Low Tone End)YM6100	1 PC.	
4	WWP34810	Rail No.1-2Assy YM6100	1 PC.	
4-1	WV430630	RAIL CRAMP RUBBER YM5100A	1 PC	
4-2	WV435720	Screw YM6100	1 PC.	
4-3	WV430640	RAIL CRAMP SUPORT RUBBER YM5100A	1 PC	
4-4	WV929220	Yamaha Mark YM6100	1 PC.	
4-5	WV435950	Peg 1.2x10 YM6100	1 PC.	

