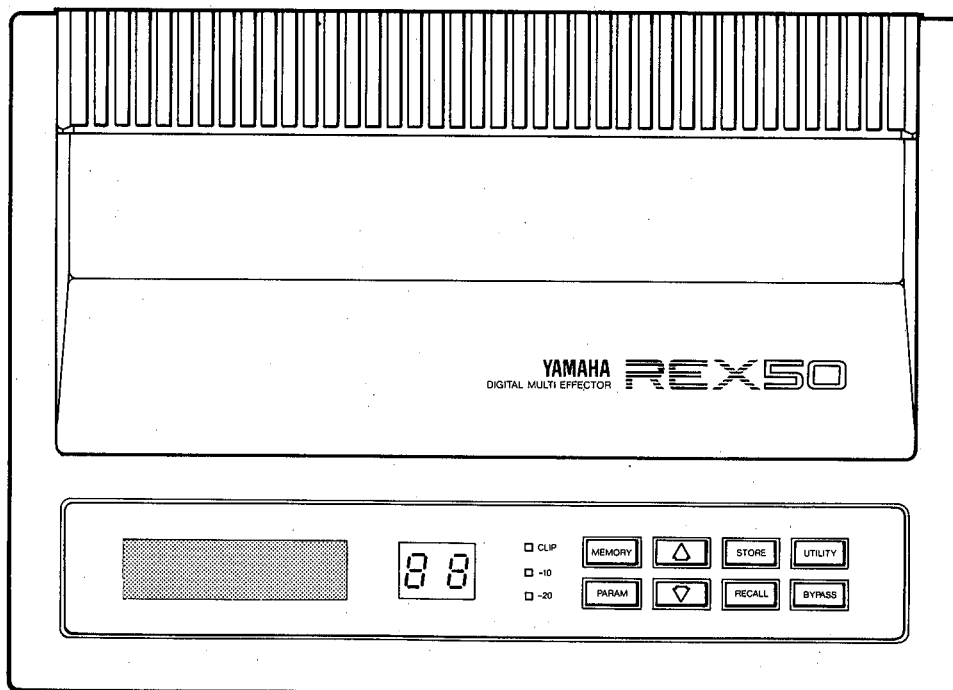


YAMAHA

Digital Multi Effector
Multi-effecteur numérique
Digitales Multi-Effektgerät

REX50

Operating Manual
Manuel d'utilisation
Bedienungsanleitung



Congratulations on your acquisition of a Yamaha REX50 Digital Multi Effector! The REX50 is a remarkably versatile, compact multi-effects unit that can be used by guitarists, keyboard players, home recording enthusiasts, mixing engineers — anyone involved with music. It offers a selection of 30 top-quality effects including digital reverberation, gated reverb, echo, flange, phase and a group of superb distortion effects. The distortion effects actually combine distortion with other effects (reverb, flange, etc.) for extraordinary sound processing versatility. In addition to the 30 preprogrammed memory locations, there are 60 “user memory locations” which can be used to store your own edited versions of the preset effect programs, so you can recall your own effect creations anytime they are necessary. The REX50 is also MIDI compatible so you can select effects via remote MIDI control.

In order to fully take advantage of all the capability offered by the REX50, we urge you to read this operation manual thoroughly.

CONTENTS

PRECAUTIONS.....	3	21. DISTORTION.....	20
1: CONTROLS AND CONNECTIONS	4	22. DIST. + REV HALL	20
THE CONTROL PANEL.....	4	23. DIST. + REV PLATE.....	20
THE CONNECTOR PANEL.....	5	24. DIST. + GATE REV.....	21
2: GENERAL OPERATION	7	25. D. + REVERSE GATE	21
MEMORY CONFIGURATION.....	7	26. DIST. + DELAY	21
SELECTING AN EFFECT/MEMORY LOCATION.	7	27. DIST. + ECHO.....	22
BYPASSING THE EFFECT	7	28. DIST. + FLANGE.....	23
ACCESSING & EDITING THE PARAMETERS		29. DIST. + CHORUS.....	23
FOR EACH EFFECT	8	30. DIST. + SYMPHONIC.....	24
STORING EFFECTS.....	9	4: UTILITY FUNCTIONS	25
3: DESCRIPTIONS OF THE EFFECT		TITLE EDIT	25
PROGRAMS & THEIR PARAMETERS	10	MIDI BANK & CHANNEL ASSIGNMENT	25
THE BALANCE AND OUTPUT LEVEL		FOOTSWITCH MEMORY RECALL RANGE	27
PARAMETERS.....	10	5: MIDI DATA FORMAT.....	28
1. REV 1 HALL	10	6: SPECIFICATIONS	30
2. REV 2 ROOM.....	10	7: ROM CONTENTS AND CONTROLABLE	
3. REV 3 VOCAL.....	10	PARAMETERS.....	31
4. REV 4 PLATE.....	10	8: BLOCK DIAGRAM	33
5. EARLY REF. 1	11	9: BLANK CHART	34
6. GATE REVERB.....	11		
7. DELAY L&R	13		
8. STEREO ECHO	13		
9. STEREO FLANGE	14		
10. CHORUS.....	14		
11. STEREO PHASING.....	14		
12. SYMPHONIC.....	15		
13. REVERSE GATE.....	11		
14. ADR-NOISE GATE	15		
15. COMPRESSOR	16		
16. REVERB & GATE	17		
17. PITCH CHANGE A.....	17		
18. PITCH CHANGE B.....	18		
19. PITCH CHANGE C.....	19		
20. PAN.....	19		

PRECAUTIONS

1. AVOID EXCESSIVE HEAT, HUMIDITY, DUST AND VIBRATION

Keep the unit away from locations where it is likely to be exposed to high temperatures or humidity — such as near radiators, stoves, etc. Also avoid locations which are subject to excessive dust accumulation or vibration which could cause mechanical damage.

2. AVOID PHYSICAL SHOCKS

Strong physical shocks to the unit can cause damage. Handle it with care.

3. DO NOT OPEN THE UNIT OR ATTEMPT REPAIRS OR MODIFICATIONS YOURSELF

This product contains no user-serviceable parts. Refer all maintenance to qualified Yamaha service personnel. Opening the unit and/or tampering with the internal circuitry will void the warranty.

4. MAKE SURE POWER IS OFF BEFORE MAKING OR REMOVING CONNECTIONS

Always turn the power OFF prior to connecting or disconnecting cables. This is important to prevent damage to the unit itself as well as other connected equipment.

5. HANDLE CABLES CAREFULLY

Always plug and unplug cables — including the AC cord — by gripping the connector, not the cord.

6. CLEAN WITH A SOFT DRY CLOTH

Never use solvents such as benzene or thinner to clean the unit. Wipe clean with a soft, dry cloth.

7. ALWAYS USE THE CORRECT POWER SOURCE

Make sure that the power source voltage specified on the rear panel matches your local AC mains source.

U.S. & Canadian models: 120V AC, 60 Hz
General model: 220–240V AC, 50/60 Hz

8. ELECTRICAL INTERFERENCE

Since the REX50 contains digital circuitry, it may cause interference and noise if placed too close to TV sets, radios or similar equipment. If such a problem does occur, move the REX50 further away from the affected equipment.

9. BACKUP BATTERY

The REX50 contains a long-life lithium battery which maintains the contents of the buffer and user memory locations even when the unit is turned OFF. With normal use the battery should last for approximately 5 years. If the battery voltage falls below the safe level, however, the “*** WARNING *** LOW BATTERY” display will appear on the LCD when the power is first turned ON. If this occurs, have the battery replaced by a qualified Yamaha service center. Do not attempt to replace the battery yourself!

FCC CERTIFICATION (USA)

This equipment generates and uses radio frequency energy and if not installed and used properly, that is, in strict accordance with the manufacturer's instructions, may cause interference to radio and television reception. It has been type tested and found to comply with the limits for a Class B computing device in accordance with the specifications in Subpart J of Part 15 of FCC Rules, which are designed to provide reasonable protection against such interference in a residential installation. However, there is no guarantee that interference will not occur in a particular installation. If this equipment does cause interference to radio or television reception, which can be determined by turning the equipment off and on, the user is encouraged to try to correct the interference by one or more of the following measures:

Reorient the receiving antenna.

Relocate the computer with respect to the receiver.

Move the computer away from the receiver.

Plug the computer into a different outlet so that computer and receiver are on different branch circuits.

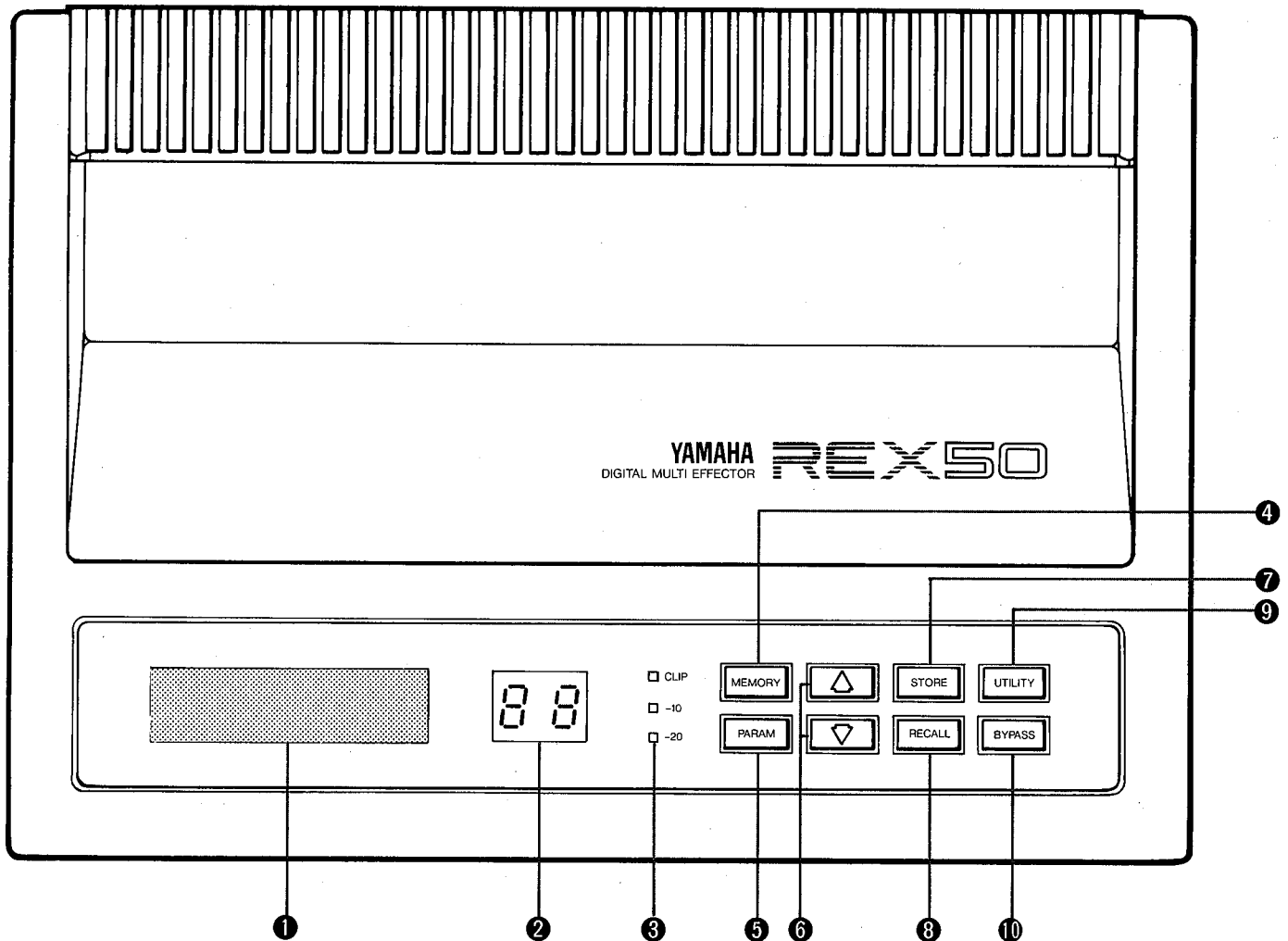
If necessary, the user should consult the dealer or an experienced radio/television technician for additional suggestions. The user may find the following booklet prepared by the Federal Communications Commission helpful:

“How to identify and Resolve Radio-TV interference Problems”.

This booklet is available from the U.S. Government Printing Office, Washington, DC 20402, Stock No. 004-000-00345-4.

1: CONTROLS AND CONNECTIONS

THE CONTROL PANEL



① LCD (Liquid Crystal Display)

This 16-character × 2-line liquid crystal display panel normally displays the title of the selected effect on the top line and a selected parameter and its value on the bottom line. One or both lines may also be used to display error messages or warnings.

② LED Memory Number Display

This 2-digit numeric display shows the number of the currently selected memory location (1 – 90). When the LED display is continuously lit the effect corresponding to the number displayed is active. When the LED display is flashing, this indicates that a new memory location has been selected but has not yet been recalled, leaving the previously selected effect active.

③ Input Level Meter

The input level meter consists of three LEDs corresponding to –20 dB, –10 dB and CLIP input level. When the source (instrument or other) is connected to the REX50's inputs, it should be played at the loudest level it will be played during actual use and the rear-panel INPUT LEVEL control (THE CONNECTOR PANEL, 7) adjusted so the –20 and –10 dB LEDs light but the CLIP LED almost never lights.

④ Memory Key

Pressing this key engages the memory selection mode, allowing a new memory location to be selected using the Δ and ∇ keys.

5 Parameter Key

This key is pressed to access the various parameters which can be edited within each effect. Each press on the PARAMETER key selects the next parameter on the "list" for the selected effect.

6 Increment/Decrement Keys

These keys are used to select memory locations when the memory selection mode is active (after the MEMORY key has been pressed), or to change parameter values when parameters are selected for editing (after the PARAMETER key has been pressed). The Δ and ∇ keys are also used to program several UTILITY functions.

7 Store Key

This key is used to store edited effect parameters into one of the user memory locations between 31 and 90.

8 Recall Key

When a new memory location number has been selected using the Δ and ∇ keys, the RECALL key must be pressed to activate the selected effect.

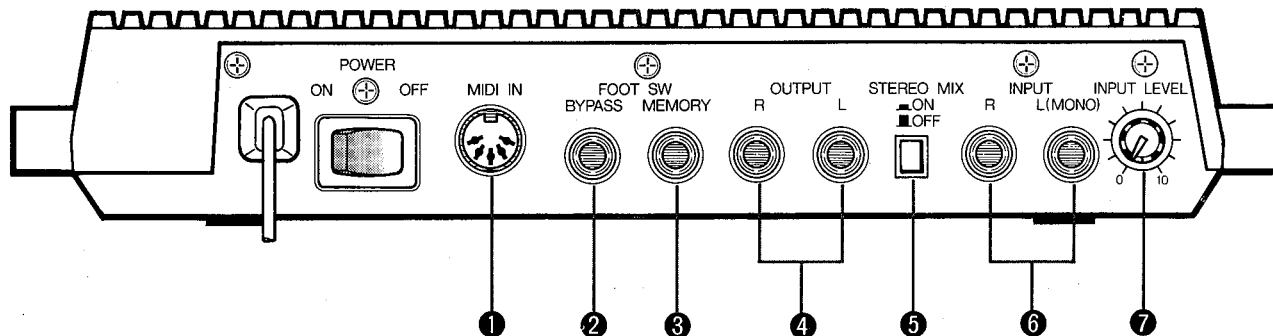
9 Utility Key

This key accesses a list of utility functions allowing editing of effect titles, MIDI control programming and increment footswitch recall range programming.

10 Bypass Key

The BYPASS key switches the selected effect ON or OFF, leaving the direct signal only when BYPASS is active.

THE CONNECTOR PANEL



1 MIDI IN Terminal

MIDI signals from external MIDI devices can be fed to this terminal to remotely select effects, set the pitch shift of the PITCH CHANGE A effect, and trigger some other effects.

2 Bypass Footswitch Jack

An optional Yamaha FC5 footswitch or equivalent connected to this jack can be used for foot control of the BYPASS function.

3 Memory Footswitch Jack

An optional Yamaha FC5 footswitch or equivalent can be used to sequentially select effects stored in memory locations 31 through 90, permitting a sequence of effects to be set up to match the flow of a live performance.

④ R & L Output Jacks

These two monaural 1/4" phone jacks deliver the stereo output signal from the REX50 to subsequent amplification or mixing equipment. These jacks can be connected directly to the inputs of guitar amplifiers, keyboard amplifiers, recording equipment or mixing consoles. Since many of the REX50 effects are true stereo effects, we recommend connecting both output jacks to the corresponding inputs of a stereo or two-channel sound system in order to get the best possible sound. If this is not possible, connect either of the OUTPUT jacks (L or R) to the amplification equipment used.

⑤ Stereo Mix Switch

This switch determines whether the signal appearing at the OUTPUT jacks is "effect only" or "effect plus direct signal." When the switch is ON, the direct input signal is combined with the effect signal and delivered to the outputs. When OFF the processed output of the REX50 only is delivered to the outputs. The REX50 does allow internal balancing of the input and effect signals as well as output level control. In normal use, therefore, the STEREO MIX switch should be turned OFF.

⑥ R&L (MONO) Input Jacks

When using a stereo sound source, such as a stereo electronic keyboard, plug the instrument's left (L) and right (R) channel outputs into the corresponding L and R INPUT jacks on the REX50. When using a monaural source, such as an electric guitar, plug the instrument's output into the L(MONO) INPUT jack.

⑦ Input Level Control

This control should be used in conjunction with the control panel LED level meter to set the optimum input level for the source used. Adjust the INPUT LEVEL control so that the -20 dB and -10 dB level meter LEDS light but the CLIP LED almost never lights while playing the source instrument.

2: GENERAL OPERATION

MEMORY CONFIGURATION

The REX50 has a total of 90 internal memory locations. Locations 1 through 30 are READ-ONLY MEMORY containing the 30 preset effect programs. These locations cannot be written to or changed in any way. The effect programs contained in memory locations 1 through 30 are:

Mem. No.	Program Name	Mem. No.	Program Name
1	REV 1 HALL	16	REVERB & GATE
2	REV 2 ROOM	17	PITCH CHANGE A
3	REV 3 VOCAL	18	PITCH CHANGE B
4	REV 4 PLATE	19	PITCH CHANGE C
5	EARLY REF. 1	20	PAN
6	GATE REVERB	21	DISTORTION
7	DELAY L,R	22	DIST.+REV HALL
8	STEREO ECHO	23	DIST.+REV PLATE
9	STEREO FLANGE	24	DIST.+GATE REV
10	CHORUS	25	D.+REVERSE GATE
11	STEREO PHASING	26	DIST.+DELAY
12	SYMPHONIC	27	DIST.+ECHO
13	REVERSE GATE	28	DIST.+FLANGE
14	ADR-NOISE GATE	29	DIST.+CHORUS
15	COMPRESSOR	30	DIST.+SYMPHONIC

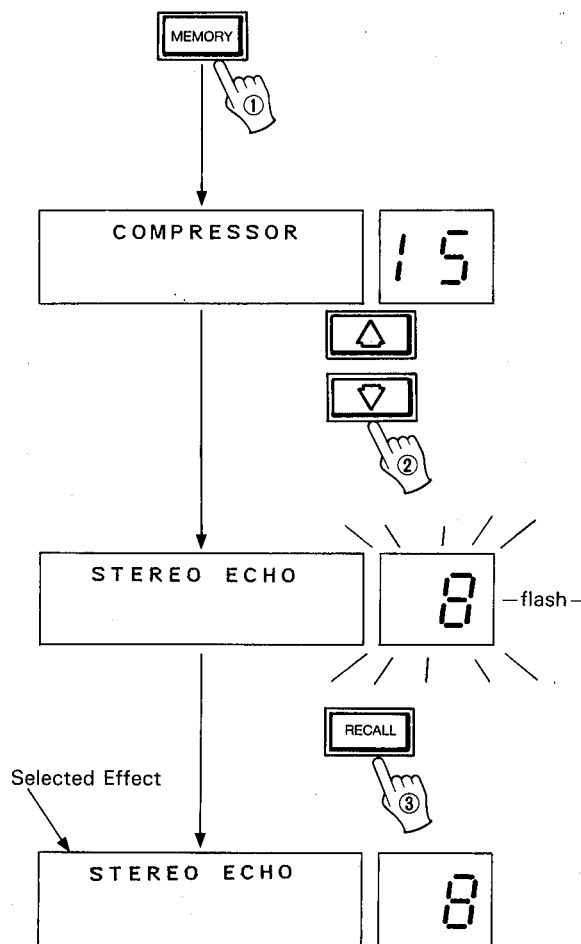
A complete description of each effect program and its parameters is given in "3: DESCRIPTIONS OF THE EFFECT PROGRAMS & THEIR PARAMETERS" on page 10.

Locations 31 through 90 are READ/WRITE MEMORY which can be used to store your own edited versions of the preset programs.

SELECTING AN EFFECT/MEMORY LOCATION

- Press the MEMORY key to engage the memory selection mode. This is not necessary if the memory selection mode is already active, but it's a good habit to get into to ensure smooth operation.
- Press the Δ or ∇ key to increment or decrement the memory location number shown on the LED display. Hold either of these keys down for continuous incrementing or decrementing. The name of the program corresponding to the currently selected memory location will be shown on the LCD, or "*** NO DATA ***" will be displayed if a memory location between 31 and 90 is selected into which an edited effect program has not been stored. Note that at this stage the LED memory number display is flashing, indicating that although a new location has been selected, its contents have not yet been recalled.

- When the desired memory location/effect has been selected, press the RECALL key. The LED memory number display will stop flashing and the selected effect will be engaged.



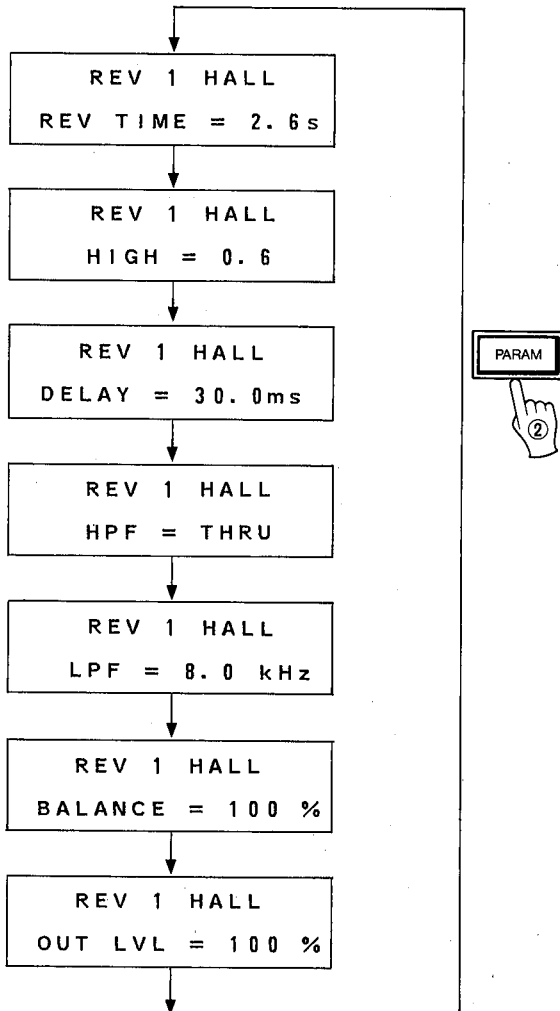
BYPASSING THE EFFECT

There are two ways to switch the selected effect in and out: ① with the control panel BYPASS switch and ② with a footswitch connected to the connector-panel BYPASS footswitch jack. An optional Yamaha FC5 Footswitch can be used for foot-bypass control. In either case — when the control-panel BYPASS key or BYPASS footswitch is pressed — a bold, flashing letter "B" will appear in the upper right-hand corner of the LCD. While the "B" is visible the REX50 effect is bypassed and the input signal is directly routed to the output terminals (i.e. the effect is OFF). Press the BYPASS key or footswitch a second time to turn the effect back ON.

ACCESSING & EDITING THE PARAMETERS FOR EACH EFFECT

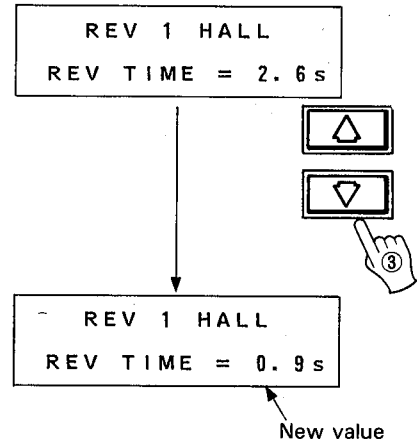
Each of the REX50 effects has a number of internal parameters which may be edited by you to create a sound that is ideally suited to your own specific musical requirements. A complete description of each effect and its parameters is given in "3. DESCRIPTIONS OF THE EFFECTS & THEIR PARAMETERS" on page 10. Using effect 1 (REV 1 HALL) as an example, here's how to access and edit effect parameters:

- ① Select and recall the effect to be edited (REV 1 HALL for this example).
- ② Press the PARAMETER key and the first of the selected effect's parameters will appear on the bottom line of the LCD. Each time the PARAMETER key is pressed, the next parameter on the selected effect's "parameter list" will be called. With REV 1 HALL, for example, the following parameters are called in sequence:



Note that the first parameter in the list is returned to if the PARAMETER key is pressed after the last parameter (OUT LVL in this example) has been called.

- ③ Once the desired parameter has been called, its value is edited by using the Δ and/or ∇ keys. The Δ key increases (increments) the value while the ∇ key decreases (decrements) the value. Either key can be held down for continuous incrementing or decrementing.

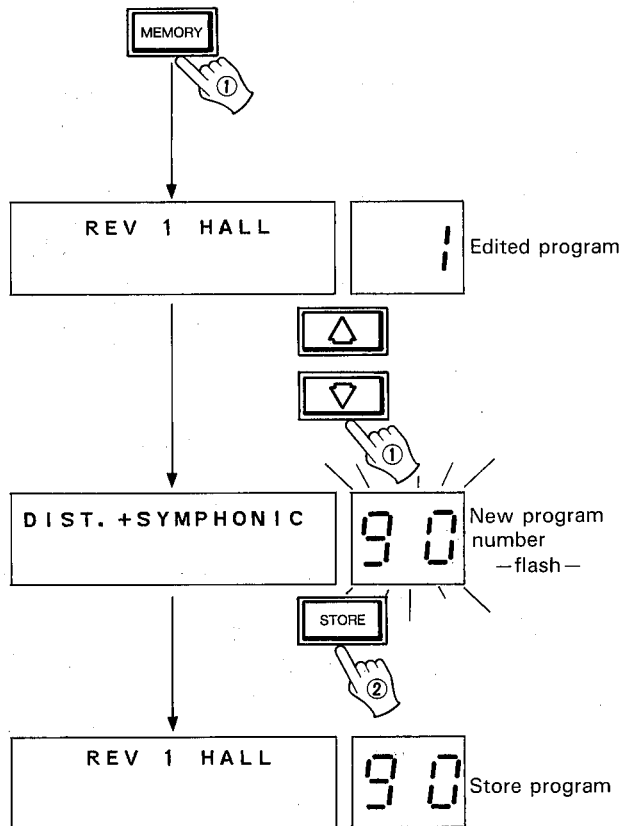


In this way you can go through and edit any number of the parameters to create the sound you want. If, however, you select and recall a new effect without first storing your edited parameters in a memory location between 31 and 90, any changes you have made will be lost and will have to be re-programmed. If you want to keep an edited effect, use the STORE operation as described in the next page.

STORING EFFECTS

In order to store an edited effect for later recall you need to do the following:

- ① After editing the effect, select a memory location between 31 and 90 by first pressing the MEMORY key and then using the Δ and ∇ keys. Do not recall the selected memory location.
- ② Press the STORE key to store the edited effect in the selected memory location. The title of the effect stored will appear on the LCD (this may later be edited to create your own effect title using the UTILITY mode EDIT TITLE function). The LED memory number display will stop flashing and the stored memory location will become the active effect.



NOTE: You CANNOT store edited data to memory locations 1 through 30. If you attempt to do this the LCD will show "*** READ ONLY *** MEM NO. 1-30".

** READ ONLY **
MEM NO. 1-30

NOTE: Once an effect has been stored in a memory location between 31 and 90, its parameters can be further edited in the new memory location. Such changes will be lost if a different effect is selected and recalled, however, unless the STORE function is used to store the changes. Changes may be stored to the current memory location number (31-90) simply by pressing the STORE key.

3: DESCRIPTIONS OF THE EFFECT PROGRAMS & THEIR PARAMETERS

THE BALANCE AND OUTPUT LEVEL PARAMETERS

Since all of the REX50 effects have the same BALANCE and OUT LVL (Output Level) parameters, we'll describe them here and leave them out of the descriptions of each effect that follow. BALANCE and OUT LVL are normally the last two parameters called in an effect's parameter list.

Effect/Direct Signal Balance (BALANCE): 0 — 100%

This parameter adjusts the balance between the direct sound and effect signals. At 100% only the effect sound is delivered from the REX50 outputs, while at 0% only the direct sound is output. At a setting of 50%, the direct and effect sounds are output in approximately equal proportions.

Effect Output Level (OUT LVL): 0 — 100%

This parameter sets the output level of the effect. This is particularly handy for matching the levels between effects when setting up an effect sequence for a live performance.

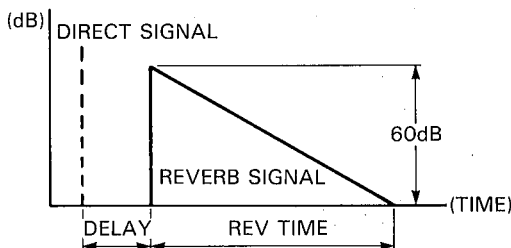
1. REV 1 HALL

2. REV 2 ROOM

3. REV 3 VOCAL

4. REV 4 PLATE

Reverberation is the warm musical "ambience" you experience when listening to music in a hall or other properly-designed acoustic environment. The REX50 offers four different reverb effects, simulating types of reverberation you would experience in a large hall (REV 1 HALL), in a smaller room (REV 2 ROOM), a reverb effect ideally suited to vocals (REV 3 VOCAL), and the type of reverberation produced artificially by a plate reverberator (REV 4 PLATE).



Reverb Time (REV TIME): 0.3 — 99.0 s

The length of time it takes for the level of reverberation at 1 kHz to decrease by 60 dB — virtually to silence. In a live setting, this depends on several factors: room size, room shape, type of reflective surfaces, and others.

High Frequency Reverb Time Ratio (HIGH): 0.1 — 1.0

Natural reverberation varies according to the frequency of the sound. The higher the frequency, the more sound tends to be absorbed by walls, furnishings and even air. This parameter allows alteration of the high-frequency reverb time in relation to the overall reverb time.

Initial Delay (DELAY): 0.1 — 50.0 ms

This parameter represents the delay between the direct sound of an instrument and the first of the many reflections that together form reverberation.

High-pass Filter (HPF): THRU, 32 Hz — 1.0 kHz

Permits rolling off the low-frequency content of the reverb signal below the set frequency. The HPF is OFF when set to THRU.

Low-pass Filter (LPF): 1 kHz — 11 kHz, THRU

Permits rolling off the high-frequency content of the reverb signal above the set frequency. The LPF is OFF when set to THRU.

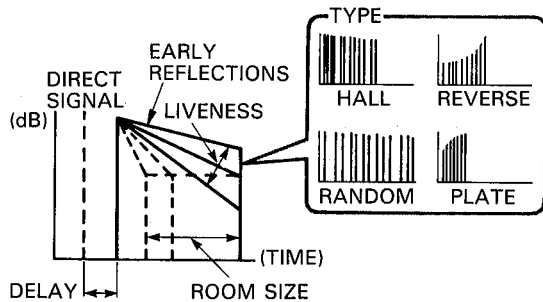
5. EARLY REF. 1

6. GATE REVERB

These effects are created using different groupings of "early reflections" — the first cluster of reflections that occurs after the direct sound but before the dense reflections that are known as reverberation begin.

13. REVERSE GATE

This effect produces a dynamic "slapback" sound, similar to a tape recording being played backwards.



Early Reflection Pattern (TYPE):

HALL/RANDOM/REVERSE/PLATE

The TYPE parameter selects one of four different patterns of early reflections. HALL produces a typical grouping of early reflections that would occur in a performing environment such as a hall. RANDOM produces an irregular series of reflections that could not occur naturally. PLATE produces a typical grouping of reflections that would occur in a plate reverb unit. REVERSE generates a series of reflections that increase in level — like the effect produced by playing a recorded reverberation sound backwards.

Room Size (ROOM SIZE): 0.1 — 20.0

This parameter sets the time intervals between the early reflections — a feature of natural early reflections which is directly proportional to the size of the room.

Liveness (LIVENESS): 0 — 10

"Liveness" refers to the rate at which the reflected sounds fade. An acoustically "dead" room is simulated by setting this parameter to zero. Increasing the value of this parameter creates an increasingly "live" sound, simulating an increasing area of reflective surfaces in the room.

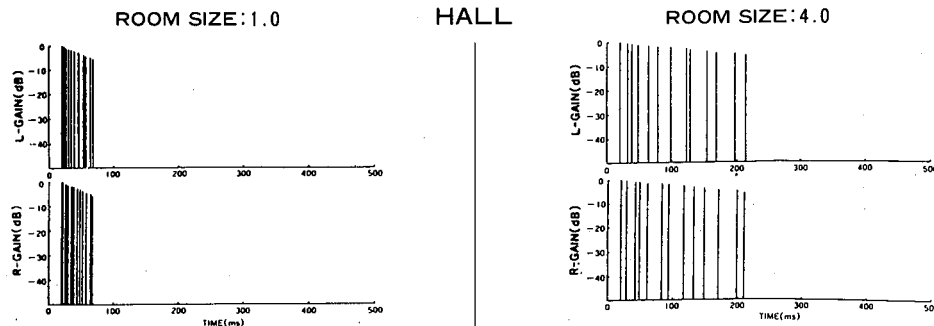
Delay (DELAY): 0.1 — 400.0 ms

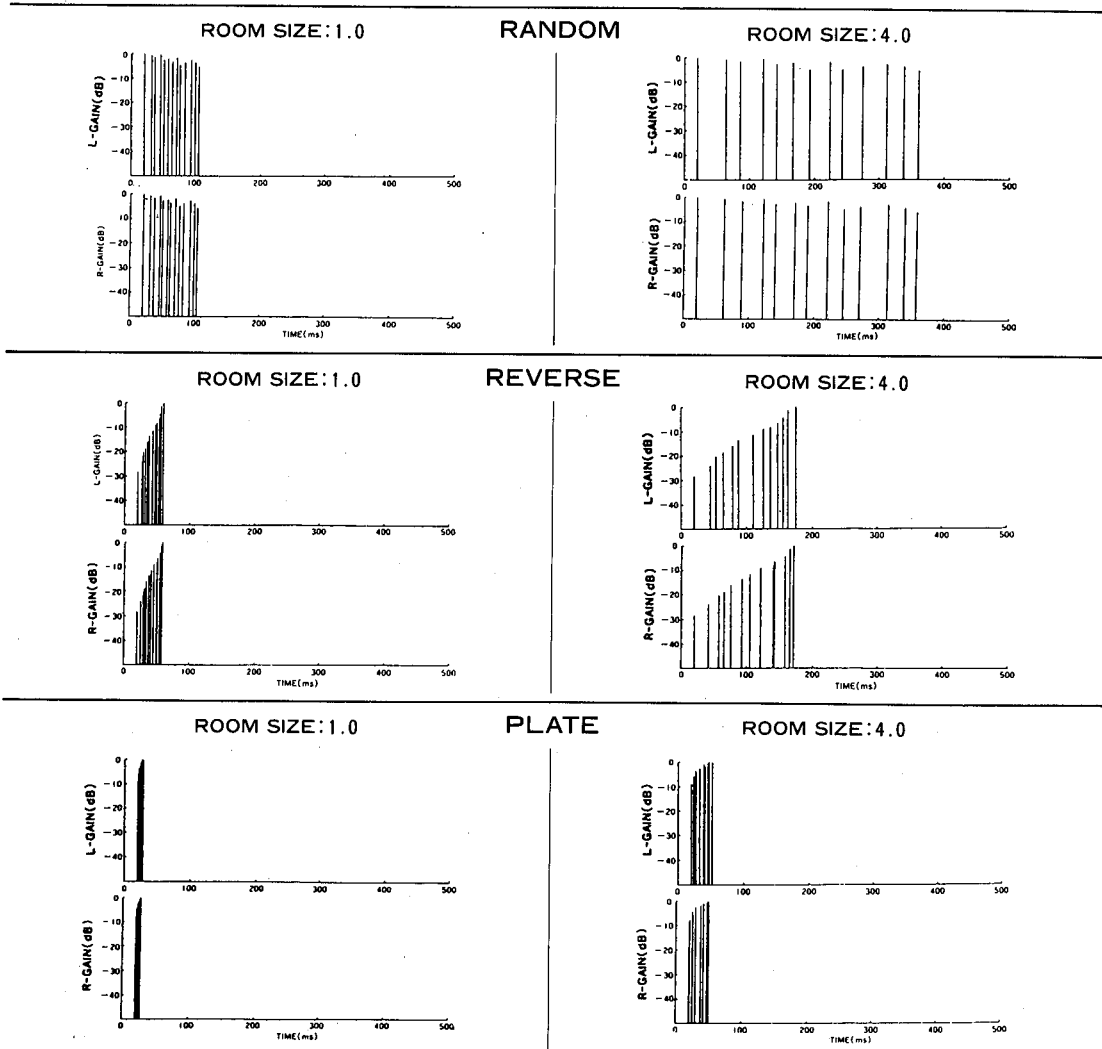
The time delay between the direct sound of the instrument and the first of the early reflections.

Low-pass Filter (LPF): 1 kHz — 11 kHz, THRU

Permits rolling off the high-frequency content of the early reflection signal above the set frequency. The LPF is OFF when set to THRU.

EARLY REFLECTION MODE CHART



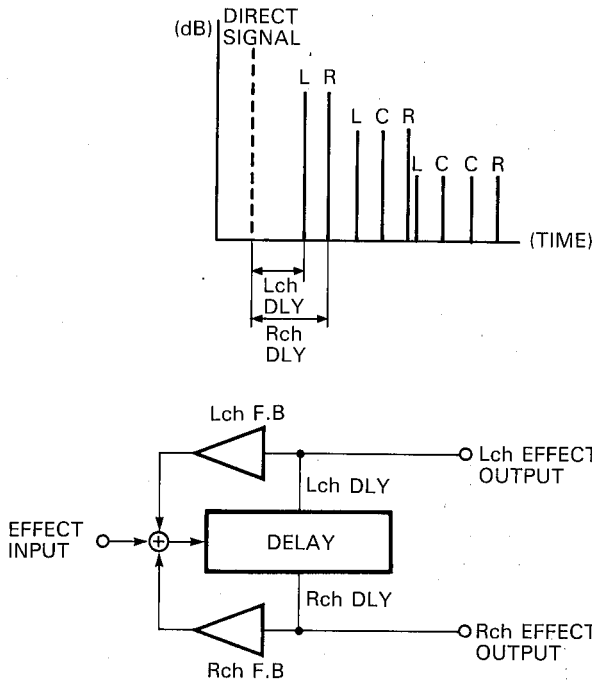


ROOM SIZE CHART

ROOMS	Box ▼	Minicar ▼	Shed ▼	Apartment Room ▼	Small Meeting Room ▼	Large Meeting Room ▼	Small Hall ▼	Mid-Sized Hall ▼	Large Hall ▼	Auditorium ▼	Astrodome ▼
Length of room when made cubical (m)	0.46	1	2.15	4.64	10	21.5	46.4	100	215	464	
Volume (m ³)	0.1	1	10	10 ²	10 ³	10 ⁴	10 ⁵	10 ⁶	10 ⁷	10 ⁸	
TYPE	0.1	1	10	10 ²	10 ³	10 ⁴	10 ⁵	10 ⁶	10 ⁷	10 ⁸	
HALL				0.1	0.2	0.5	1.0	2.0	5.0	10.0	20.0
RANDOM				0.1	0.2	0.5	1.0	2.0	5.0	10.0	20.0
REVERSE				0.1	0.2	0.5	1.0	2.0	5.0	10.0	20.0
PLATE	0.1	0.2	0.5	1.0	2.0	5.0	10.0	20.0			

7. DELAY L&R

This stereo delay effect offers independently variable left and right channel delays.



Left Channel Delay (Lch DLY): 0.1 – 500.0 ms

Sets the time between the direct sound of the instrument and the first repeat heard from the left channel.

Left Channel Feedback Gain (Lch F.B.): –99% – +99%

Sets the amount of the left-channel delay signal fed back to the input of the processor. The higher the feedback gain setting, the greater the number of delayed repeats produced.

Right Channel Delay (Rch DLY): 0.1 – 500.0 ms

Sets the time between the direct sound of the instrument and the first repeat heard from the right channel.

Right Channel Feedback Gain (Rch F.B.): –99% – +99%

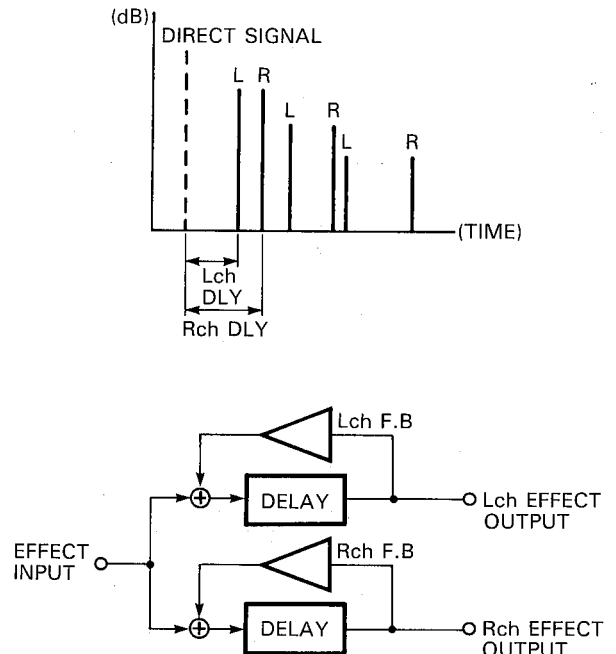
Sets the amount of the right-channel delay signal fed back to the input of the processor. The higher the feedback gain setting, the greater the number of delayed repeats produced.

High Frequency Feedback (HIGH): 0.1 – 1.0

Controls feedback in the high-frequency range. The high-frequency feedback is reduced as the value of this parameter is decreased.

8. STEREO ECHO

This effect can be used to create expansive echo effects – with independently variable left and right channel echo delays and feedback.



Left Channel Delay (Lch DLY): 0.1 – 250.0 ms

After the delay set by this parameter, the first left-channel echo will appear. Subsequent echoes will appear at the same time interval, the number of echoes depending on the setting of the feedback gain setting for the corresponding channel.

Left Channel Feedback Gain (Lch F.B.): –99% – +99%

Adjusts the number of echoes that follow the direct signal – from zero to a virtually infinite number of echoes at the maximum setting.

Right Channel Delay (Rch DLY): 0.1 – 250.0 ms

Same as Left Channel Delay, but affects the right channel only.

Right Channel Feedback Gain (Rch F.B.): –99% – +99%

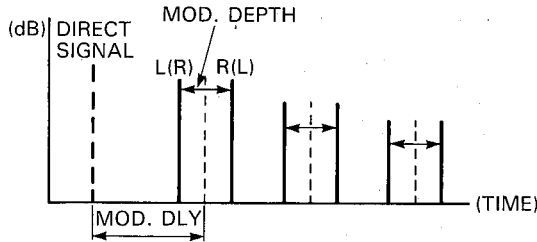
Same as Left Channel Feedback Gain, but affects the right channel only.

High Frequency Feedback (HIGH): 0.1 – 1.0

Controls feedback in the high-frequency range. The high-frequency feedback is reduced as the value of this parameter is decreased.

9. STEREO FLANGE

This effect produces a pleasant "swirling" sound which can effectively thicken and add warmth to the sound of an instrument. The flanging effect is produced by



Modulation Frequency (MOD. FRQ): 0.1 Hz – 20.0 Hz

Sets the speed of modulation, and hence the rate at which the effect varies.

Modulation Depth (MOD. DEPTH): 0% – 100%

Sets the amount of delay time variation, thus adjusting the depth of the effect.

Modulation Delay (MOD. DLY): 0.1 ms – 100.0 ms

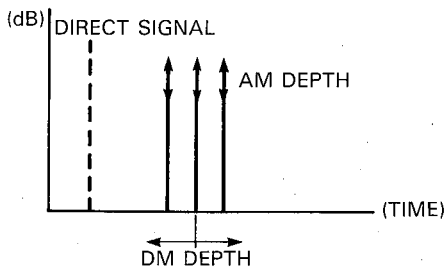
This sets the basic delay time from the initial direct sound to the beginning of the flange effect.

Feedback Gain (F.B. GAIN): 0% – 99%

Determines the amount of flange signal which is fed back to the input of the processor for further modulation. More feedback increases the overall complexity, "strength" and decay time of the effect.

10. CHORUS

Like flanging, chorus serves to thicken the sound of an instrument, creating the effect of several instruments playing at once. The chorus effect splits the incoming signal into three signals placed at the center left and right of the stereo image. The delay time and level of the three signals are then modulated by the LFO (Low Frequency Oscillator).



Modulation Frequency (MOD. FRQ): 0.1 Hz – 20.0 Hz

Sets the speed at which the effect varies.

Delay Modulation Depth (DM DEPTH): 0% – 100%

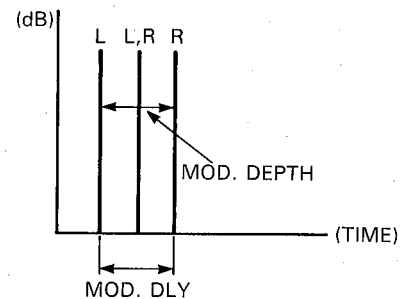
This sets the amount by which the delay time of one delay signal is varied in relation to the other, and thus the depth of the CHORUS effect.

Amplitude Modulation Depth (AM DEPTH): 0% – 100%

Sets the amount by which the amplitude (level) of the input signal is varied.

11. STEREO PHASING

Phasing is basically a "gentler" version of the flange effect, lending a smooth, animated quality to the original sound.



Modulation Frequency (MOD. FRQ): 0.1 Hz – 20.0 Hz

Sets the speed at which the phasing effect varies.

Modulation Depth (MOD. DEPTH): 0% – 100%

Sets the amount of delay time variation, thus adjusting the depth of the effect.

Modulation Delay (MOD. DLY): 0.1 – 8.0 ms

This sets the delay time from the initial direct sound to the beginning of the phasing effect.

12. SYMPHONIC

This effect is produced in the same way as the flange effect, but has a "bigger," more sweeping sound.

Modulation Frequency (MOD. FRQ): 0.1 Hz — 20.0 Hz

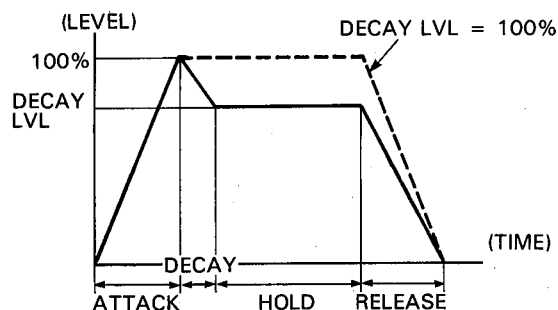
Sets the speed of the effect variation.

Modulation Depth (MOD. DEPTH): 0% — 100%

Sets the depth of the effect.

14. ADR-NOISE GATE

This program uses a "gate" to pass or shut off the input signal in a number of ways. It can be used to pass just a short segment of a longer input signal, or it can be set up to pass only signals that exceed a specified level. In the latter case this program functions as a "noise gate." It is also possible to create reverse gate type effects in which the gain increases gradually after the effect is triggered.



Trigger Level (TRG. LEVEL): 1 — 100

Determines the level of the input signal required to trigger "opening" of the gate. At 100% only very high-level input signals will trigger the gate, while at 1% even the tiniest input signal will trigger the gate.

Trigger Delay (TRG. DLY): -100 — +100 ms

Produces a delay between the time at which the gate is triggered and that at which it actually opens. If a minus value is programmed, the input signal is delayed so that, effectively, the gate opens before the signal appears.

Trigger Mask (TRG. MSK): 5 — 32,000 ms

This parameter makes it impossible to re-trigger the gate function until the programmed time has elapsed.

Attack Time (ATTACK): 5 — 32,000 ms

Determines how long it takes for the gate to open fully from the time it begins to open.

Decay Time (DECAY): 5 — 32,000 ms

Determines the length of time it takes for the gate envelope to fall to DECAY LEVEL after it is fully open.

Decay Level (DECAY LVL): 0 — 100%

Determines the level at which the gate remains open for the HOLD TIME. The lower the value, the lower the HOLD gate level.

Hold Time (HOLD): 1 — 30,000 ms

Determines how long the gate stays open, allowing the signal to pass at the DECAY LEVEL, after the first decay and prior to beginning of the RELEASE TIME.

Release Time (RELEASE): 5 — 32,000 ms

Determines how long it takes for the gate to close fully after the HOLD TIME has ended.

MIDI Trigger (MIDI TRG.): OFF, ON

When this parameter is turned ON, a KEY ON EVENT message from an external MIDI keyboard can be used to trigger the gate. A KEY ON EVENT message is transmitted whenever a note on a MIDI keyboard is played.

15. COMPRESSOR

This extremely versatile compressor program allows creation of a wide range of compression and limiting effects. It can simply be used to reduce the dynamic range of a signal, to smooth out the sound of an electric bass or add sustain to an electric guitar. It can help to reduce volume fluctuations as a vocalist moves closer to or away from a microphone, or limit the maximum level of a signal to prevent overloading certain types of amplification of recording equipment.

Attack Time (ATTACK): 1 – 40 ms

Determines how long it takes for full compression to be reached after the effect is triggered (i.e. the THRESHOLD level is exceeded). The right ATTACK setting is essential to preserve the natural initial attack sound of the instrument used — or modify it as desired.

Release Time (RELEASE): 10 – 2,000 ms

Determines how long it takes for compression to be released after the input signal drops below the THRESHOLD level. The RELEASE setting is important to preserve the natural release sound of the instrument used. Too short a RELEASE setting will cause the sound to be cut off unnaturally.

Threshold Level (THRESHOLD): –48 – –6 dB

Determines the level of the input signal at which the compression effect begins. Set at a low level (–48 dB) all input signals will be compressed. At a higher level, only those signals exceeding the THRESHOLD level will be compressed, thus producing a limiting effect. The THRESHOLD level must be set to match the level and characteristics of the instrument being used, as well as the desired effect.

Compression Ratio (RATIO): 1 – 20.0

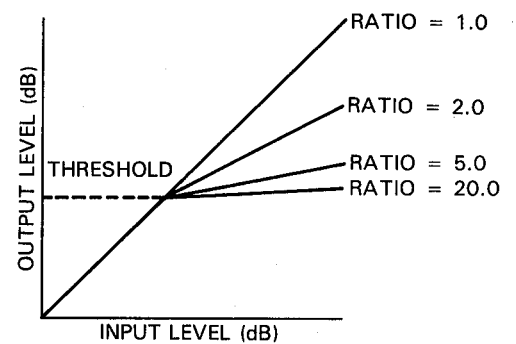
This parameter sets the “amount” of compression applied to the input signal. A setting of 1.0 produces no compression, while a setting of 20.0 produces maximum compression.

Detect Delay (DET. DLY): –50.0 – +50.0 ms

This parameter sets an initial delay between the time the input signal begins (the time the THRESHOLD level is exceeded) and the time the compression effect begins. This delay can be used to allow the initial attack of an instrument to come through completely unaffected while the rest of the signal is compressed. A minus DET DLY setting causes the compressed sound to appear before the direct instrument sound.

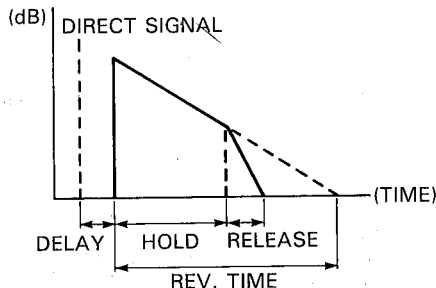
Delay Time (DELAY): 0.1 – 400.0 ms

Determines the time delay between the direct sound and the compressed effect sound.



16. REVERB & GATE

This effect combines a reverb program with a gate program, making it possible to output only a segment of a longer reverb sound.



Reverb Time (REV TIME): 0.3 — 99.0 s

The length of time it takes for the level of reverberation at 1 kHz to decrease by 60 dB.

High Frequency Reverb Time Ratio (HIGH): 0.1 — 1.0

This parameter allows alteration of the high-frequency reverb time in relation to the overall reverb time.

Initial Delay (DELAY): 0.1 — 50.0 ms

This parameter represents the delay between the direct sound of an instrument and the first of the many reflections that together form reverberation.

High-pass Filter (HPF): THRU, 32 Hz — 1.0 kHz

Permits rolling off the low-frequency content of the reverb signal below the set frequency. The HPF is OFF when set to THRU.

Low-pass Filter (LPF): 1 kHz — 11 kHz, THRU

Permits rolling off the high-frequency content of the reverb signal above the set frequency. The LPF is OFF when set to THRU.

Trigger Level (TRG. LEVEL): 1 — 100

Determines the amplitude of the input signal required to trigger opening of the gate. At 100% only high-level input signals will trigger the gate, while at 1% even the slightest input signal will trigger the gate.

Hold Time (HOLD): 1 — 30,000 ms

This parameter sets the amount of time the gate is "open," allowing the reverb sound to come through.

Release Time (RELEASE): 5 — 32,000 ms

This parameter determines the time it takes for the gate to close completely after the HOLD time has elapsed.

MIDI Trigger (MIDI TRG.): OFF, ON

When ON, a KEY ON EVENT message from a MIDI keyboard can be used to trigger the effect.

17. PITCH CHANGE A

This program can actually change the pitch of an input signal over a ± 2 -octave range. The shifted pitch can be combined with the direct sound (by an appropriate setting of the BALANCE parameter) to create automatic harmonies.

Pitch Shift (PITCH): -12 — +12

Sets the degree of pitch change in semitone steps. +12 corresponds to an output pitch one octave higher than the input pitch, and -12 produces an output pitch one octave lower than the input pitch. An external MIDI keyboard can even be used to select the desired degree of pitch shift.

Fine Tuning (FINE): -100 — +100

Permits extremely fine pitch adjustment in one-cent steps.

Delay Time (DELAY): 0.1 — 400.0 ms

Sets the delay between the direct sound (input signal) and the pitch-shifted output signal.

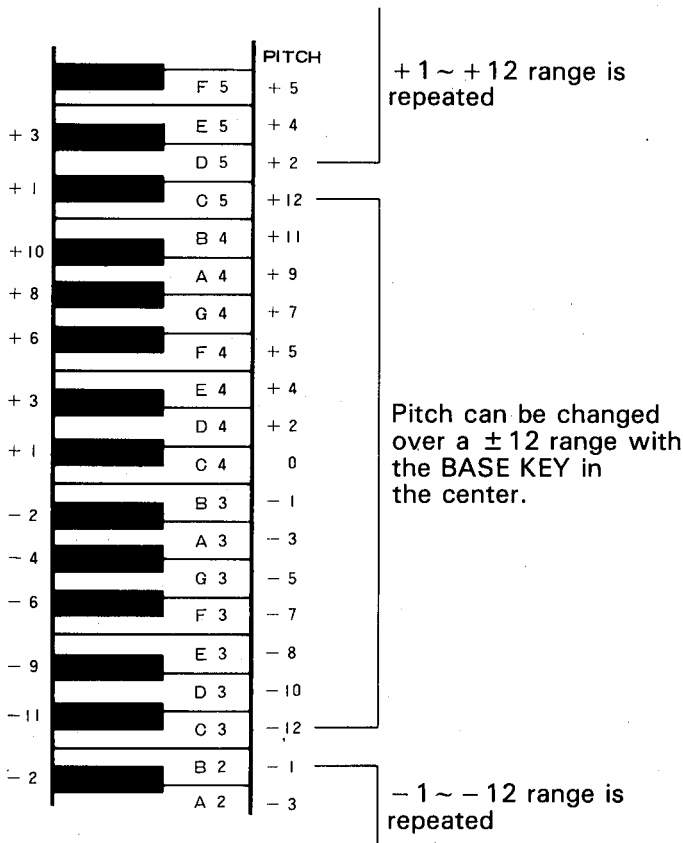
Feedback Gain (F.B. GAIN): 0 — 99%

When this parameter is set to 0, only a single pitch-shifted sound is produced after the DELAY time has elapsed. As the value of this parameter is increased, however, more and more delayed repeats are produced, each pitch-shifted up or down from the previous repeat according to the setting of the PITCH parameter.

18. PITCH CHANGE B

Base Key (BASE KEY): OFF, C1 — C6

This parameter sets the "BASE KEY" for an external MIDI synthesizer used to control the PITCH parameter (the MIDI OUT terminal of the synthesizer must be connected to the REX50 MIDI IN terminal, and the REX50 must be set to receive on the MIDI channel on which the synthesizer is transmitting). If, for example, the BASE KEY parameter is set to C4, pressing the C3 key on the synthesizer (C3 is one octave lower than C4) will set the pitch change value to -12. Pressing D4 on the keyboard would produce a pitch increase of one whole-tone (+2). If a key more than an octave higher or lower than the BASE KEY is pressed, the resultant pitch change setting will still be within the -12 to +12 range, as shown in the illustration below. If the BASE KEY parameter is set OFF, pitch cannot be controlled via the MIDI IN terminal.



PITCH CHANGE B makes it possible to produce two independently pitch-shifted output notes in addition to the direct signal, so you can actually create three-part harmonies with a single input note. Both pitch-shifted notes appear at the center of the stereo sound field (i.e. they are output equally to the L and R OUTPUT jacks).

1st Pitch Shift (1 PITCH): -12 — +12

Sets the pitch of the first pitch-shifted note between one octave below (-12) and one octave above (+12) the input note.

1st Fine Tuning (1 FINE): -100 — +100

Permits fine tuning of the first pitch-shifted note in 1-cent steps.

1st Delay Time (1 DLY): 0.1 — 400.0 ms

Determines the time delay between input of the original note and output of the first pitch-shifted note.

2nd Pitch Shift (2 PITCH): -12 — +12

Sets the pitch of the second pitch-shifted note between one octave below (-12) and one octave above (+12) the input note.

2nd Fine Tuning (2 FINE): -100 — +100

Permits fine tuning of the second pitch-shifted note in 1-cent steps.

2nd Delay Time (2 DLY): 0.1 — 400.0 ms

Determines the time delay between input of the original note and output of the second pitch-shifted note.

19. PITCH CHANGE C

Like the PITCH CHANGE B program, PITCH CHANGE C produces 2 pitch-shifted notes in addition to the original input note. In this program, however, the two pitch-shifted notes are independently fed to the left and right channel outputs (the direct sound is positioned at the center of the stereo sound field) for a true stereo harmony effect.

Left Pitch Shift (L PITCH): - 12 - + 12

Sets the pitch of the left-channel pitch-shifted note between one octave below (- 12) and one octave above (+ 12) the input note.

Left Fine Tuning (L FINE): - 100 - + 100

Permits fine tuning of the left-channel pitch-shifted note in 1-cent steps.

Left Delay Time (L DLY): 0.1 - 200.0 ms

Determines the time delay between input of the original note and output of the left-channel pitch-shifted note.

Right Pitch Shift (R PITCH): - 12 - + 12

Sets the pitch of the right-channel pitch-shifted note between one octave below (- 12) and one octave above (+ 12) the input note.

Right Fine Tuning (R FINE): - 100 - + 100

Permits fine tuning of the right-channel pitch-shifted note in 1-cent steps.

Right Delay Time (R DLY): 0.1 - 200.0 ms

Determines the time delay between input of the original note and output of the right-channel pitch-shifted note.

PROGRAM	PITCH CHANGE	FEEDBACK	MIDI PITCH CONTROL
PITCH CHANGE A	1 TONE	YES	YES
PITCH CHANGE B	2 TONES (CENTER)	NO	NO
PITCH CHANGE C	2 TONES (1 EACH IN L&R CH.)	NO	NO

20. PAN

This program automatically pans the sound image between left and right in the stereo sound field.

Pan Speed (PAN SPEED): 0.1 - 20.0 Hz

Sets the speed of the PAN effect (i.e. how rapidly the signal sweeps from channel to channel).

Pan Direction (DIRECTION): L → R, L ← R, L ↔ R

Determines the direction in which the sound sweeps across the stereo sound field.

Pan Depth (DEPTH): 0 - 100%

Sets the degree of level variation produced by the PAN effect. The higher the setting, the stronger and more distinct the pan sound.

21. DISTORTION

The DISTORTION effect is capable of producing an extremely broad range of distortion sounds that are ideal for virtually all guitar styles. Whether you want a light overdrive effect or real heavy-metal distortion, this program can provide it.

Distortion (DISTORTION): 0 – 100%

This parameter sets the “degree” of distortion produced. A setting of 0 produces a perfectly clean sound, while a setting of 100 produces the most heavily distorted sound.

Midrange EQ Frequency (MID FRQ.): 560 Hz, 800 Hz, 1.0 kHz, 1.5 kHz, 2.0 kHz

Sets the mid-frequency range to be boosted or cut using the next parameter: MID GAIN.

Midrange EQ Gain (MID GAIN): – 12 – + 12 dB

Boosts or cuts response in the frequency range set by the MID FRQ parameter (above). A setting of 0 produces no boost or cut. Minus settings (e.g: – 6 dB) cut response in the selected frequency range, while plus settings (e.g: + 12 dB) boost response.

Treble Boost/Cut (TREBLE): – 12 – + 12 dB

Permits boosting or cutting the high-frequency range. Minus settings (e.g: – 6 dB) reduce the high-frequency content of the sound, while plus settings (e.g: + 6 dB) emphasize the high-frequencies.

Trigger Level (TRG. LEVEL): 1 – 100

Determines the amplitude of the input signal required to trigger the distortion effect. This parameter, in conjunction with the RELEASE parameter below, functions effectively as a noise gate to cut out hiss and noise when an input signal is not present. TRG LEVEL should be set so that the effect is activated only when a note is played on the instrument used.

Release Time (RELEASE): 5 – 32000 ms

Determines the amount of time it takes for the distortion gate to close after the input signal drops below the trigger level. Proper setting of the RELEASE parameter is essential to allow a natural decay of the source instrument sound.

22. DIST. + REV HALL

23. DIST. + REV PLATE

Distortion Level (DISTORTION): 0 – 100%

Sets the “degree” or “depth” of the distortion portion of the effect.

Reverb Balance (REV BAL): 0 – 100%

Determines the amount of reverb applied to the distortion sound.

Initial Reverb Delay (PRE DLY): 0.1 – 50.0 ms

This parameter produces a delay between the arrival of the input signal and the beginning of the reverb effect.

Reverb Time (REV TIME): 0.3 – 99.0 s

The length of time it takes for the level of reverberation at 1 kHz to decrease by 60 dB.

High Frequency Reverb Time Ratio (HIGH): 0.1 – 1.0

This parameter allows alteration of the high-frequency reverb time in relation to the overall reverb time.

Trigger Level (TRG. LEVEL): 1 – 100

Determines the amplitude of the input signal required to trigger the effect. This parameter, in conjunction with the RELEASE parameter below, functions effectively as a noise gate to cut out hiss and noise when an input signal is not present. TRG LEVEL should be set so that the effect is activated only when a note is played on the instrument used.

Release Time (RELEASE): 5 – 32000 ms

Determines the amount of time it takes for the distortion gate to close after the input signal drops below the trigger level. Proper setting of the RELEASE parameter is essential to allow a natural decay of the source instrument sound.

24. DIST. + GATE REV

25. D. + REVERSE GATE

Distortion Level (DISTORTION): 0 – 100%

Sets the "degree" or "depth" of the distortion portion of the effect.

E/R Balance (E/R BAL): 0 – 100%

Determines the amount of gate reverb or reverse gate effect applied to the distortion sound.

Tone (TONE): 560 Hz, 800 Hz, 1.0 kHz, 1.5 kHz, 2.0 kHz

This parameter produces a tonal emphasis in the selected frequency range.

Early Reflection Pattern (TYPE):

HALL/RANDOM/REVERSE/PLATE

The TYPE parameter selects one of four different patterns of early reflections.

Room Size (ROOM SIZE): 0.1 – 20.0

This parameter sets the time intervals between the early reflections.

Liveness (LIVENESS): 0 – 10

Increasing the value of this parameter creates an increasingly "live" sound, simulating an increasing area of reflective surfaces in a room.

Delay (DELAY): 0.1 – 400.0 ms

The time delay between the direct sound of the instrument and the first of the early reflections.

Trigger Level (TRG. LEVEL): 1 – 100

Determines the amplitude of the input signal required to trigger the effect. This parameter, in conjunction with the RELEASE parameter below, functions effectively as a noise gate to cut out hiss and noise when an input signal is not present. TRG LEVEL should be set so that the effect is activated only when a note is played on the instrument used.

Release Time (RELEASE): 5 – 32000 ms

Determines the amount of time it takes for the distortion gate to close after the input signal drops below the trigger level. Proper setting of the RELEASE parameter is essential to allow a natural decay of the source instrument sound.

26. DIST. + DELAY

Distortion Level (DISTORTION): 0 – 100%

Sets the "degree" or "depth" of the distortion portion of the effect.

Delay Balance (DELAY BAL): 0 – 100%

Determines the amount of delay or echo effect applied to the distortion sound.

Left Channel Delay (Lch DELAY): 0.1 – 500.0 ms

Sets the time between the direct sound of the instrument and the first repeat heard from the left channel.

Left Channel Feedback Gain (Lch F.B): –99% – +99%

Sets the amount of the left-channel delay signal fed back to the input of the processor. The higher the feedback gain setting, the greater the number of delayed repeats produced.

Right Channel Delay (Rch DELAY): 0.1 – 500.0 ms

Sets the time between the direct sound of the instrument and the first repeat heard from the right channel.

Right Channel Feedback Gain (Rch F.B): –99% – +99%

Sets the amount of the right-channel delay signal fed back to the input of the processor. The higher the feedback gain setting, the greater the number of delayed repeats produced.

High Frequency Feedback (HIGH): 0.1 – 1.0

Controls feedback in the high-frequency range. The high-frequency feedback is reduced as the value of this parameter is decreased.

Midrange EQ Frequency (MID FRQ.): 560 Hz, 800 Hz, 1.0 kHz, 1.5 kHz, 2.0 kHz

Sets the mid-frequency range to be boosted or cut using the next parameter: MID GAIN.

Midrange EQ Gain (MID GAIN): –12 – +12 dB

Boosts or cuts response in the frequency range set by the MID FRQ parameter (above). A setting of 0 produces no boost or cut. Minus settings (e.g: –6 dB) cut response in the selected frequency range, while plus settings (e.g: +12 dB) boost response.

Trigger Level (TRG. LEVEL): 1 – 100

Determines the amplitude of the input signal required to trigger the effect. This parameter functions effectively as a noise gate to cut out hiss and noise when an input signal is not present. TRG LEVEL should be set so that the effect is activated only when a note is played on the instrument used.

27. DIST. + ECHO

Distortion Level (DISTORTION): 0 – 100%

Sets the “degree” or “depth” of the distortion portion of the effect.

Echo Balance (ECHO BAL): 0 – 100%

Determines the amount of delay or echo effect applied to the distortion sound.

Left Channel Delay (Lch DELAY): 0.1 – 250.0 ms

Sets the time between the direct sound of the instrument and the first repeat heard from the left channel.

Left Channel Feedback Gain (Lch F.B): –99% – +99%

Sets the amount of the left-channel delay signal fed back to the input of the processor. The higher the feedback gain setting, the greater the number of delayed repeats produced.

Right Channel Delay (Rch DELAY): 0.1 – 250.0 ms

Sets the time between the direct sound of the instrument and the first repeat heard from the right channel.

Right Channel Feedback Gain (Rch F.B): –99% – +99%

Sets the amount of the right-channel delay signal fed back to the input of the processor. The higher the feedback gain setting, the greater the number of delayed repeats produced.

High Frequency Feedback (HIGH): 0.1 – 1.0

Controls feedback in the high-frequency range. The high-frequency feedback is reduced as the value of this parameter is decreased.

Midrange EQ Frequency (MID FRQ.): 560 Hz, 800 Hz, 1.0 kHz, 1.5 kHz, 2.0 kHz

Sets the mid-frequency range to be boosted or cut using the next parameter: MID GAIN.

Midrange EQ Gain (MID GAIN): –12 – +12 dB

Boosts or cuts response in the frequency range set by the MID FRQ parameter (above). A setting of 0 produces no boost or cut. Minus settings (e.g: –6 dB) cut response in the selected frequency range, while plus settings (e.g: +12 dB) boost response.

Trigger Level (TRG. LEVEL): 1 – 100

Determines the amplitude of the input signal required to trigger the effect. This parameter functions effectively as a noise gate to cut out hiss and noise when an input signal is not present. TRG LEVEL should be set so that the effect is activated only when a note is played on the instrument used.

28. DIST. + FLANGE

Distortion Level (DISTORTION): 0 – 100%

Sets the "degree" or "depth" of the distortion portion of the effect.

Flange Balance (FLANGE BAL): 0 – 100%

Determines the amount of flange effect applied to the distortion sound.

Modulation Frequency (MOD. FRQ): 0.1 Hz – 20.0 Hz

Sets the speed of modulation, and hence the rate at which the effect varies.

Modulation Depth (MOD. DEPTH): 0% – 100%

Sets the amount of delay time variation, thus adjusting the depth of the effect.

Modulation Delay (MOD. DLY): 0.1 ms – 100.0 ms

This sets the basic delay time from the initial direct sound to the beginning of the flange effect.

Feedback Gain (F.B. GAIN): 0% – 99%

Determines the amount of flange signal which is fed back to the input of the processor for further modulation. More feedback increases the overall complexity, "strength" and decay time of the effect.

Trigger Level (TRG. LEVEL): 1 – 100

Determines the amplitude of the input signal required to trigger the effect. This parameter, in conjunction with the RELEASE parameter below, functions effectively as a noise gate to cut out hiss and noise when an input signal is not present. TRG LEVEL should be set so that the effect is activated only when a note is played on the instrument used.

Release Time (RELEASE): 5 – 32000 ms

Determines the amount of time it takes for the distortion gate to close after the input signal drops below the trigger level. Proper setting of the RELEASE parameter is essential to allow a natural decay of the source instrument sound.

29. DIST. + CHORUS

Distortion Level (DISTORTION): 0 – 100%

Sets the "degree" or "depth" of the distortion portion of the effect.

Chorus Balance (CHORUS BAL): 0 – 100%

Determines the amount of chorus effect applied to the distortion sound.

Modulation Frequency (MOD. FRQ): 0.1 Hz – 20.0 Hz

Sets the speed of chorus effect variation.

Delay Modulation Depth (DM DEPTH): 0% – 100%

This sets the depth or "strength" of the chorus effect.

Amplitude Modulation Depth (AM DEPTH): 0% – 100%

Sets the amount by which the amplitude (level) of the input signal is varied.

Trigger Level (TRG. LEVEL): 1 – 100

Determines the amplitude of the input signal required to trigger the effect. This parameter, in conjunction with the RELEASE parameter below, functions effectively as a noise gate to cut out hiss and noise when an input signal is not present. TRG LEVEL should be set so that the effect is activated only when a note is played on the instrument used.

Release Time (RELEASE): 5 – 32000 ms

Determines the amount of time it takes for the distortion gate to close after the input signal drops below the trigger level. Proper setting of the RELEASE parameter is essential to allow a natural decay of the source instrument sound.

30. DIST. + SYMPHONIC

Distortion Level (DISTORTION): 0 – 100%

Sets the "degree" or "depth" of the distortion portion of the effect.

Symphonic Balance (SYMPHO BAL): 0 – 100%

Determines the amount of symphonic effect applied to the distortion sound.

Modulation Frequency (MOD FRQ): 0.1 Hz – 20.0 Hz

Sets the speed of the effect variation.

Modulation Depth (MOD DEPTH): 0% – 100%

Sets the depth of the effect.

Trigger Level (TRG. LEVEL): 1 – 100

Determines the amplitude of the input signal required to trigger the effect. This parameter, in conjunction with the RELEASE parameter below, functions effectively as a noise gate to cut out hiss and noise when an input signal is not present. TRG LEVEL should be set so that the effect is activated only when a note is played on the instrument used.

Release Time (RELEASE): 5 – 32000 ms

Determines the amount of time it takes for the distortion gate to close after the input signal drops below the trigger level. Proper setting of the RELEASE parameter is essential to allow a natural decay of the source instrument sound.

4: UTILITY FUNCTIONS

The REX50 UTILITY key provides access to a number of important functions. Each press on the UTILITY key advances to the next function until the UTILITY mode is exited:

TITLE EDIT → MIDI CONTROL → MIDI PROG CHANGE → F.SW MEMORY RCL RANGE → exit UTILITY mode.

TITLE EDIT

This function makes it possible to create original titles for programs you edit and store in memory locations 31 through 90. The TITLE EDIT function is the first one to appear when the UTILITY key is pressed. The "TITLE EDIT" function name appears on the bottom line of the LCD, and an underline cursor appears at the first character position on the top line. The MEMORY and STORE keys are used to move the cursor back and forth, while the Δ and ∇ keys are used to select a new character for the current cursor position. Simply move the cursor to each character position in turn, selecting the appropriate characters at each position.

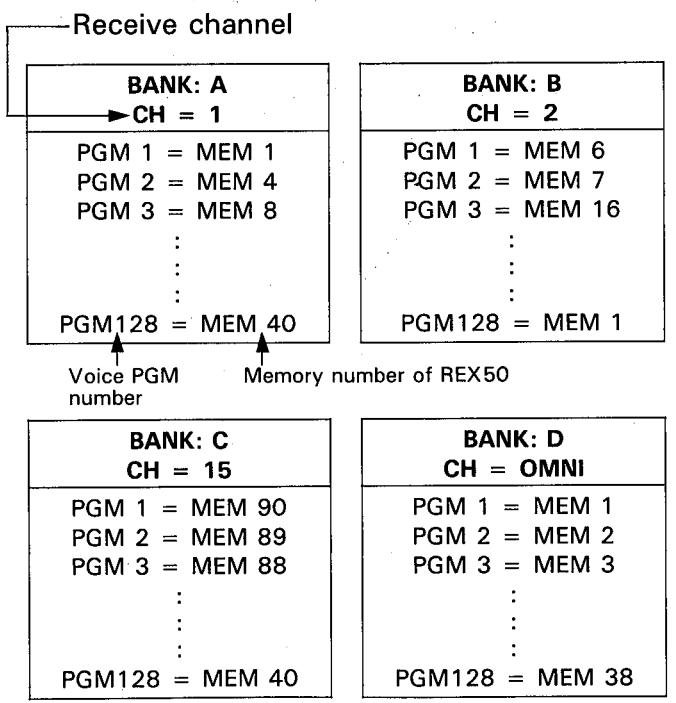
The available characters are as follows:

「	」	”	。	—	ア	ァ	イ	ィ	ウ	ゥ	エ	ヱ	オ	ォ	カ	キ	ク
ケ	コ	サ	シ	ス	セ	ソ	タ	チ	ツ	ッ	テ	ト	ナ	ニ	ヌ	ネ	ノ
ハ	ヒ	フ	ヘ	ホ	マ	ミ	ム	メ	モ	ヤ	ャ	ユ	ュ	ヨ	ヨ	ラ	リ
ル	レ	ロ	ワ	ヲ	ン	#	0	1	2	3	4	5	6	7	8	9	
	A	B	C	D	E	F	G	H	I	J	K	L	M	N	O	P	Q
R	S	T	U	V	W	X	Y	Z		a	ä	b	c	d	e	f	g
h	i	j	k	l	m	n	o	ö	p	q	r	s	t	u	ü	v	w
x	y	z		[]	<	>	:	.	*	+	-	=	&	/	,	.
'	%	!	?	→	←												

MIDI BANK & CHANNEL ASSIGNMENT

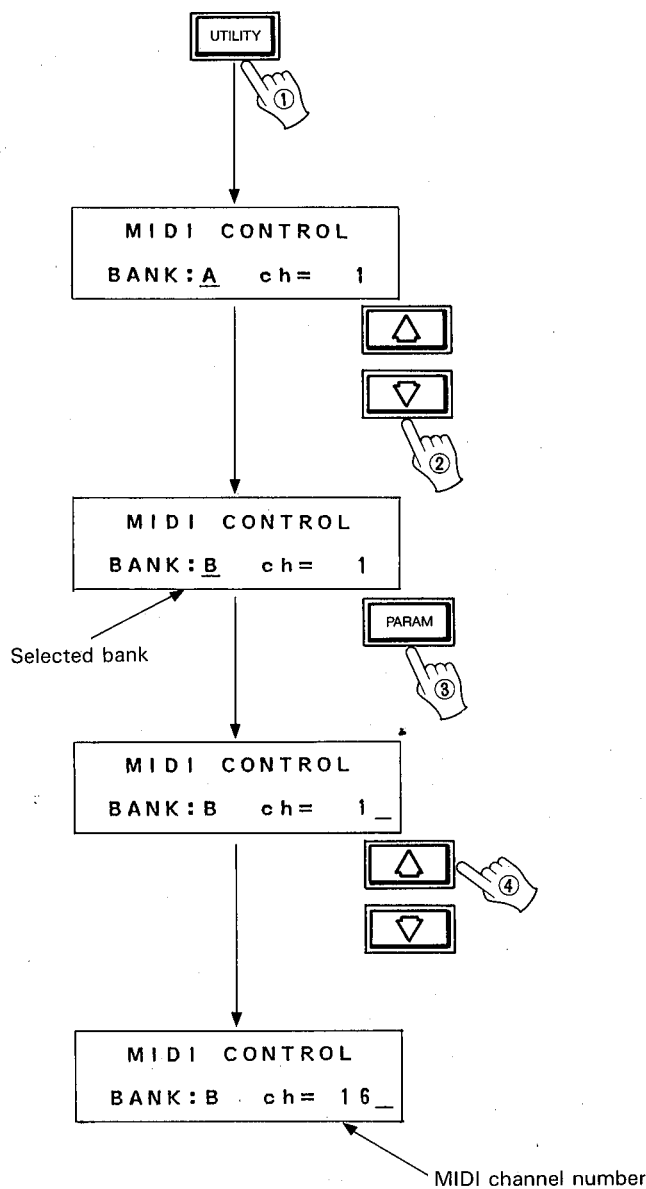
The REX50 makes it possible to select specific programs via external MIDI control. You can set up the REX50, for example, so that when you select a voice on your synthesizer the most appropriate effect for that voice is automatically selected. This is accomplished because each time you select a voice on your MIDI synthesizer it transmits the corresponding MIDI PROGRAM CHANGE NUMBER. The REX50 receives this PROGRAM CHANGE NUMBER and selects the effect program that you have assigned to it using the MIDI PROG CHANGE function which will be described below. The REX50 also accepts MIDI KEY ON EVENT messages to trigger some of the gate effects, and MIDI KEY ON NUMBERS to set the PITCH parameter of the PITCH CHANGE A effect.

The REX50 actually can be programmed with four completely independent sets of MIDI PROGRAM CHANGE NUMBER/MEMORY NUMBER assignments. Each of these is contained in a different "bank": A, B, C or D. Each BANK may also be programmed to receive on a different MIDI channel. An example of the way the four banks may be programmed with different receive channels and program number/memory number assignments is given below:



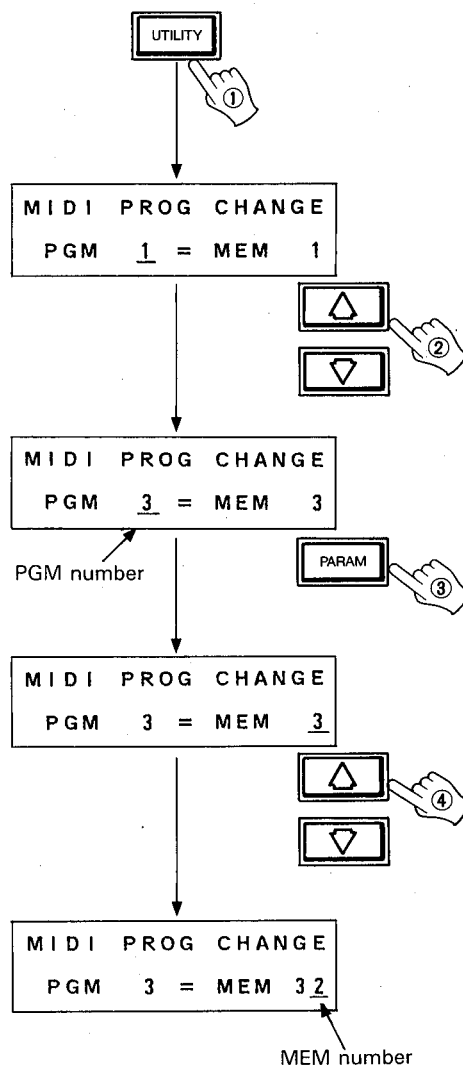
1 Bank Selection and MIDI Channel Programming

- 1 Press the UTILITY key until the MIDI CONTROL function appears (MIDI CONTROL is the second function on the UTILITY "list").
- 2 Select the bank to program using the Δ and ∇ keys.
- 3 Press the PARAM key to move the cursor to the channel (ch) parameter.
- 4 Use the Δ and ∇ keys to set the receive MIDI channel (1 – 16), the OMNI mode (all channels can be received), or turn MIDI reception OFF for the selected bank.
- 5 Press the PARAM key again to return to the BANK parameter if you wish to select a different bank for programming.



2 Assigning Effects to MIDI Program Change Numbers

- 1 Press the UTILITY key until the MIDI PROG CHANGE function appears (MIDI PROG CHANGE is the third function on the UTILITY "list").
- 2 Use the Δ and ∇ keys to select the program change number to which a new REX50 memory location number is to be assigned. The range of available program change numbers is from 1 to 128.
- 3 Press the PARAM key to move the cursor to the MEM (memory number) parameter.
- 4 Use the Δ and ∇ keys to select the memory location number containing the effect which is to be assigned to the currently selected program change number.
- 5 Press the PARAM key again to return the cursor to the PGM (program number) parameter in order to select a new program change number for effect assignment.



FOOTSWITCH MEMORY RECALL RANGE

NOTE: The program number/memory number assignments made are stored in the BANK selected in the previous MIDI CONTROL function. To program the program change/memory number assignments for a different BANK, return to the MIDI CONTROL mode, select the desired BANK, then program the required assignments.

The REX50 permits memory selection via an optional Yamaha FC4 or FC5 footswitch connected to the "MEMORY" footswitch jack. The fourth function accessed by the UTILITY key — F.SW MEMORY RCL — permits setting the range of memory location numbers that will be selected when the footswitch is pressed.

```
F. SW MEMORY RCL
RANGE 31 TO 35
```

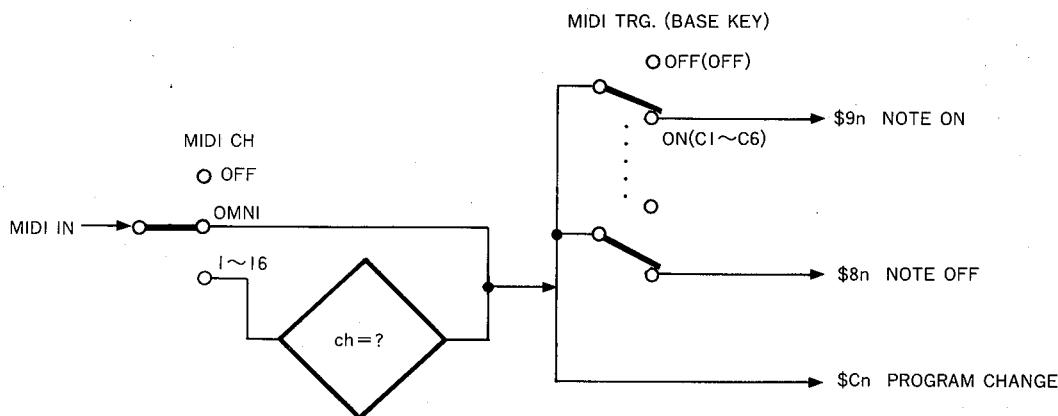
If, for example, the RANGE parameter is set to "0 TO 30" as shown in the LCD illustration above, each time the footswitch is pressed the next highest memory location will be selected until the last number in the specified range is reached. After the last number in the specified range, the first (lowest) number is selected and the process repeated. Reverse sequences can be programmed by entering the highest number in the range before the lowest, as shown below.

```
F. SW MEMORY RCL
RANGE 35 TO 31
```

In this case the selection sequence is: 35 → 34 → 33 → 32 → 31 → 35, etc.

5: MIDI DATA FORMAT

1. Reception Conditions



2. Reception Data

2-1. Channel Information

1) Channel Voice Message

① NOTE ON

Can be received on the MIDI channel set in the currently active bank.

In the case of effect 14 (ADR-NOISE GATE) and effect 16 (REVERB & GATE), if the MIDI TRG parameter is ON a NOTE ON message received will trigger the effect.

If effect 17 (PITCH CHANGE A) is selected, the received NOTE ON data is used to set the pitch shift of the effect. NOTE ON data will be ignored, however, if the BASE KEY parameter is set to OFF.

STATUS 1001nnnn (9nH) n=0 (channel no.1)–15 (channel no.16)
 NOTE NO. 0kkkkkkk k=0 (C-2)–127 (G8)
 VELOCITY 0vvvvvvv v=0–127

② NOTE OFF

Although this message causes no direct action in the REX50, it is essential to signal the end of a NOTE ON message. The conditions for NOTE OFF message reception are the same as for NOTE ON reception, as described above.

STATUS 1000nnnn (8nH) n=0 (channel no.1)–15 (channel no.16)
 NOTE NO. 0kkkkkkk k=0 (C-2)–127 (G8)
 VELOCITY 0vvvvvvv v=0–127

③ PROGRAM CHANGE

Can be received on the MIDI channel set in the currently active bank.

The effect assigned to the received program number in the program assignment table will be selected.

STATUS 1100nnnn (CnH) n=0 (channel no.1)–15 (channel no.16)
 PROGRAM NO. 0ppppppp p=0–127

Function ...	Recognized	Remarks
Basic Default	1 - 16	memorized
Channel Changed	1 - 16	
Mode Default	OMNI OFF/OMNI ON	memorized
Mode Messages	x	
Mode Altered	x	
Note Number : True voice	o 0 - 127 x	X1
Velocity Note ON	x	
Velocity Note OFF	x	
After Key's	x	
Touch Ch's	x	
Pitch Bender	x	
	x	
Control		
Change		
Prog Change : True #	o 0 - 127 x	X2
System Exclusive	x	
System : Song Pos	x	
System : Song Sel	x	
Common : Tune	x	
System : Clock	x	
Real Time : Commands	x	
Aux : Local ON/OFF	x	
Aux : All Notes OFF	x	
Mes- : Active Sense	x	
sages:Reset	x	
Notes	X1 Note ON/OFF is recognized only for pitch change. X2 For program 1 - 128, memory #1 - #90 is selected.	

6: SPECIFICATIONS

ELECTRICAL CHARACTERISTICS

Effect Freq. Response	20 Hz—12 kHz
Dynamic Range	Effect: 74 dB Direct: 80 dB
Distortion	0.1% max. @ 1 kHz

INPUT

Number of Channels	Unbalanced × 2 (Phone Jack)
Nominal Level	-10 dBm
Impedance	<500 k-ohms
Level Control	Rotary, continuous
Level Monitor	3-segment LED

A/D, D/A CONVERSION

Number of Channels	1
Sampling Freq.	31.25 kHz
Quantization	16 bits

OUTPUT

Number of Channels	Unbalanced × 2 (Phone Jack)
Nominal Level	-10 dBm
Impedance	>10 k-ohms
Mixing	Effect only, effect + direct signal

MEMORY

Presets (ROM)	1—30
User Memory (RAM)	31—90 (Battery Backup)

MIDI CONTROL

Memory selection (1—90)
by MIDI program change
number.
MIDI triggering of programs
14 and 16.
MIDI base key selection
for program 17.

FRONT PANEL

Keys	MEMORY, PARAM, INCREMENT, DECREMENT, STORE, RECALL, UTILITY, BYPASS
Display	16 char. × 2 line LCD 2-digit 7-segment LED

REAR PANEL

Control	LEVEL
Footswitch Jacks	BYPASS, MEMORY
INPUT/OUTPUT Jacks	1/4" monaural phone jacks
MIDI Terminals	IN
STEREO MIX Switch	ON/OFF

GENERAL

Power Supply	U.S. & Canada: 120 VAC, 15W General Model: 220—240 VAC, 15W
Dimensions (W × H × D)	274 × 44 × 196.2 mm (10-3/4" × 1-3/4" × 7-3/4")
Weight	1.7 kg (3 lbs. 12 ozs.)

*0 dB = 0.775 Vr.m.s.

*Specifications and appearance subject to change without notice.

7: ROM CONTENTS AND CONTROLABLE PARAMETERS

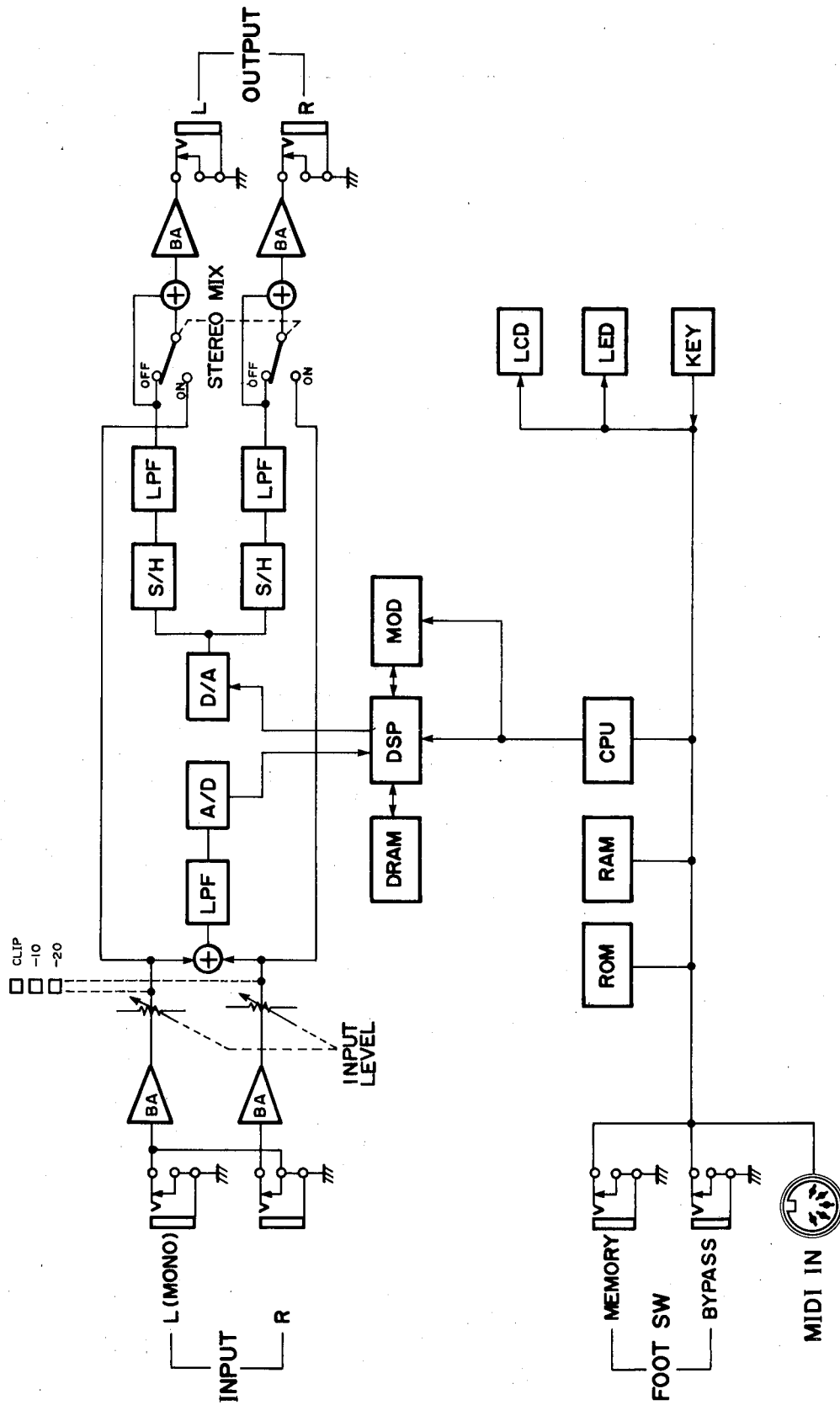
MEM. No.	PROGRAM NAME	PARAMETERS					
		1	2	3	4	5	6
1	REV 1 HALL	REV TIME	HIGH	DELAY	HPF	LPF	BALANCE
		0.3-99.0s	0.1-1.0	0.1-50.0ms	THRU, 32Hz-1.0kHz	1.0-11kHz, THRU	0-100%
2	REV 2 ROOM	2.6s	0.6	30.0ms	THRU	8.0kHz	100%
		REV TIME	HIGH	DELAY	HPF	LPF	BALANCE
3	REV 3 VOCAL	0.3-99.0s	0.1-1.0	0.1-50.0ms	THRU, 32Hz-1.0kHz	1.0-11kHz, THRU	0-100%
		1.5s	0.7	20.0ms	THRU	8.0kHz	100%
4	REV 4 PLATE	REV TIME	HIGH	DELAY	HPF	LPF	BALANCE
		0.3-99.0s	0.1-1.0	0.1-50.0ms	THRU, 32Hz-1.0kHz	1.0-11kHz, THRU	0-100%
5	EARLY REF. 1	2.4s	0.5	45.0ms	80Hz	8.0kHz	100%
		REV TIME	HIGH	DELAY	HPF	LPF	BALANCE
6	GATE REVERB	0.3-99.0s	0.1-1.0	0.1-50.0ms	THRU, 32Hz-1.0kHz	1.0-11kHz, THRU	0-100%
		1.8s	0.7	10.0ms	40Hz	10kHz	100%
7	DELAY L, R	TYPE	ROOM SIZE	LIVENESS	DELAY	LPF	BALANCE
		HALL_RANDOM REVERSE_PLATE	0.1-20.0	0-10	0.1-400.0ms	1.0-11kHz, THRU	0-100%
8	STEREO ECHO	HALL_RANDOM REVERSE_PLATE	0.1-20.0	0-10	0.1-400.0ms	1.0-11kHz, THRU	0-100%
		2.0	5	10.0ms	THRU	100%	
9	STEREO FLANGE	TYPE	ROOM SIZE	LIVENESS	DELAY	LPF	BALANCE
		HALL_RANDOM REVERSE_PLATE	0.1-20.0	0-10	0.1-400.0ms	1.0-11kHz, THRU	0-100%
10	CHORUS	HALL_RANDOM REVERSE_PLATE	0.1-20.0	0-10	0.1-400.0ms	1.0-11kHz, THRU	0-100%
		2.0	5	10.0ms	THRU	100%	
11	STEREO PHASING	TYPE	ROOM SIZE	LIVENESS	DELAY	LPF	BALANCE
		HALL_RANDOM REVERSE_PLATE	0.1-20.0	0-10	0.1-400.0ms	1.0-11kHz, THRU	0-100%
12	SYMPHONIC	HALL_RANDOM REVERSE_PLATE	0.1-20.0	0-10	0.1-400.0ms	1.0-11kHz, THRU	0-100%
		2.0	5	10.0ms	THRU	100%	
13	REVERSE GATE	TYPE	ROOM SIZE	LIVENESS	DELAY	LPF	BALANCE
		HALL_RANDOM REVERSE_PLATE	0.1-20.0	0-10	0.1-400.0ms	1.0-11kHz, THRU	0-100%
14	ADR-NOISE GATE	HALL_RANDOM REVERSE_PLATE	0.1-20.0	0-10	0.1-400.0ms	1.0-11kHz, THRU	0-100%
		3.3	5	25.0ms	THRU	100%	
15	COMPRESSOR	TYPE	ROOM SIZE	LIVENESS	DELAY	LPF	BALANCE
		HALL_RANDOM REVERSE_PLATE	0.1-20.0	0-10	0.1-400.0ms	1.0-11kHz, THRU	0-100%
16	REVERB & GATE	HALL_RANDOM REVERSE_PLATE	0.1-20.0	0-10	0.1-400.0ms	1.0-11kHz, THRU	0-100%
		3.3	5	25.0ms	THRU	100%	
17	PITCH CHANGE A	TYPE	ROOM SIZE	LIVENESS	DELAY	LPF	BALANCE
		HALL_RANDOM REVERSE_PLATE	0.1-20.0	0-10	0.1-400.0ms	1.0-11kHz, THRU	0-100%
18	PITCH CHANGE B	HALL_RANDOM REVERSE_PLATE	0.1-20.0	0-10	0.1-400.0ms	1.0-11kHz, THRU	0-100%
		3.3	5	25.0ms	THRU	100%	
19	PITCH CHANGE C	TYPE	ROOM SIZE	LIVENESS	DELAY	LPF	BALANCE
		HALL_RANDOM REVERSE_PLATE	0.1-20.0	0-10	0.1-400.0ms	1.0-11kHz, THRU	0-100%
20	PAN	HALL_RANDOM REVERSE_PLATE	0.1-20.0	0-10	0.1-400.0ms	1.0-11kHz, THRU	0-100%
		3.3	5	25.0ms	THRU	100%	
21	DISTORTION	TYPE	ROOM SIZE	LIVENESS	DELAY	LPF	BALANCE
		HALL_RANDOM REVERSE_PLATE	0.1-20.0	0-10	0.1-400.0ms	1.0-11kHz, THRU	0-100%
22	DIST. + REV HALL	HALL_RANDOM REVERSE_PLATE	0.1-20.0	0-10	0.1-400.0ms	1.0-11kHz, THRU	0-100%
		3.3	5	25.0ms	THRU	100%	
23	DIST. + REV PLATE	TYPE	ROOM SIZE	LIVENESS	DELAY	LPF	BALANCE
		HALL_RANDOM REVERSE_PLATE	0.1-20.0	0-10	0.1-400.0ms	1.0-11kHz, THRU	0-100%
24	DIST. + REVERSE GATE	HALL_RANDOM REVERSE_PLATE	0.1-20.0	0-10	0.1-400.0ms	1.0-11kHz, THRU	0-100%
		3.3	5	25.0ms	THRU	100%	
25	DIST. + DELAY	TYPE	ROOM SIZE	LIVENESS	DELAY	LPF	BALANCE
		HALL_RANDOM REVERSE_PLATE	0.1-20.0	0-10	0.1-400.0ms	1.0-11kHz, THRU	0-100%
26	DIST. + ECHO	HALL_RANDOM REVERSE_PLATE	0.1-20.0	0-10	0.1-400.0ms	1.0-11kHz, THRU	0-100%
		3.3	5	25.0ms	THRU	100%	
27	DIST. + FLANGE	TYPE	ROOM SIZE	LIVENESS	DELAY	LPF	BALANCE
		HALL_RANDOM REVERSE_PLATE	0.1-20.0	0-10	0.1-400.0ms	1.0-11kHz, THRU	0-100%
28	DIST. + CHORUS	HALL_RANDOM REVERSE_PLATE	0.1-20.0	0-10	0.1-400.0ms	1.0-11kHz, THRU	0-100%
		3.3	5	25.0ms	THRU	100%	
29	DIST. + SYMPHONIC	TYPE	ROOM SIZE	LIVENESS	DELAY	LPF	BALANCE
		HALL_RANDOM REVERSE_PLATE	0.1-20.0	0-10	0.1-400.0ms	1.0-11kHz, THRU	0-100%
30	DIST. + SYMPHONIC	HALL_RANDOM REVERSE_PLATE	0.1-20.0	0-10	0.1-400.0ms	1.0-11kHz, THRU	0-100%
		3.3	5	25.0ms	THRU	100%	

NOTE

PARAMETER
RANGE
PRESET VALUE

7	8	9	10	11	12
OUT LVL					
0 - 100%					
100%					
OUT LVL					
0 - 100%					
100%					
OUT LVL					
0 - 100%					
100%					
OUT LVL					
0 - 100%					
100%					
OUT LVL					
0 - 100%					
100%					
OUT LVL					
0 - 100%					
100%					
OUT LVL					
0 - 100%					
100%					
OUT LVL					
0 - 100%					
100%					
OUT LVL					
0 - 100%					
100%					
OUT LVL					
0 - 100%					
100%					
OUT LVL					
0 - 100%					
100%					
OUT LVL					
0 - 100%					
100%					
OUT LVL					
0 - 100%					
100%					
OUT LVL					
0 - 100%					
100%					
OUT LVL					
0 - 100%					
100%					
HOLD	RELEASE	MIDI TRG.	BALANCE	OUT LVL	
1 - 3000ms	5 - 3200ms	ON, OFF	0 - 100%	0 - 100%	
90ms	5ms	OFF	100%	100%	
BALANCE	OUT LVL				
0 - 100%	0 - 100%				
100%	100%				
HOLD	RELEASE	MIDI TRG.	BALANCE	OUT LVL	
1 - 3000ms	5 - 3200ms	ON, OFF	0 - 100%	0 - 100%	
150ms	5ms	OFF	100%	100%	
OUT LVL					
0 - 100%					
100%					
BALANCE	OUT LVL				
0 - 100%	0 - 100%				
100%	100%				
BALANCE	OUT LVL				
0 - 100%	0 - 100%				
100%	100%				
BALANCE	OUT LVL				
0 - 100%	0 - 100%				
100%	100%				
BALANCE	OUT LVL				
0 - 100%	0 - 100%				
100%	100%				
BALANCE	OUT LVL				
0 - 100%	0 - 100%				
100%	100%				
RELEASE	BALANCE	OUT LVL			
5 - 3200ms	0 - 100%	0 - 100%			
105ms	100%	100%			
RELEASE	BALANCE	OUT LVL			
5 - 3200ms	0 - 100%	0 - 100%			
105ms	100%	100%			
DELAY	TRG. LEVEL	RELEASE	BALANCE	OUT LVL	
0.1 - 400.0ms	1 - 100	5 - 3200ms	0 - 100%	0 - 100%	
80.0ms	35	105ms	100%	100%	
DELAY	TRG. LEVEL	RELEASE	BALANCE	OUT LVL	
0.1 - 400.0ms	1 - 100	5 - 3200ms	0 - 100%	0 - 100%	
9.0ms	35	105ms	100%	100%	
HIGH	MID FRQ.	MID GAIN	TRG. LEVEL	BALANCE	OUT LVL
0.1 - 1.0	560Hz - 2.0kHz	- 12dB - + 12dB	1 - 100	0 - 100%	0 - 100%
1.0	560Hz	+ 0dB	35	100%	100%
HIGH	MID FRQ.	MID GAIN	TRG. LEVEL	BALANCE	OUT LVL
0.1 - 1.0	560Hz - 2.0kHz	- 12dB - + 12dB	1 - 100	0 - 100%	0 - 100%
0.9	800Hz	+ 0dB	35	100%	100%
TRG. LEVEL	RELEASE	BALANCE	OUT LVL		
1 - 100	5 - 3200ms	0 - 100%	0 - 100%		
35	105ms	100%	100%		
RELEASE	BALANCE	OUT LVL			
5 - 3200ms	0 - 100%	0 - 100%			
105ms	100%	100%			
BALANCE	OUT LVL				
0 - 100%	0 - 100%				
100%	100%				

8: BLOCK DIAGRAM



9: BLANK CHART

YAMAHA **REX50**

USER PROGRAMMING TABLE

Date: _____

Programmer: _____

Memory No.	Program Title	Memory No.	Program Title	Memory No.	Program Title
31		51		71	
32		52		72	
33		53		73	
34		54		74	
35		55		75	
36		56		76	
37		57		77	
38		58		78	
39		59		79	
40		60		80	
41		61		81	
42		62		82	
43		63		83	
44		64		84	
45		65		85	
46		66		86	
47		67		87	
48		68		88	
49		69		89	
50		70		90	

YAMAHA REX50 USER PROGRAMMING TABLE

Memory No.: _____ Date: _____

Program Title: _____ Programmer: _____

Parameter Name	New Value	Parameter Name	New Value

Remarks _____

Memory No.: _____ Date: _____

Program Title: _____ Programmer: _____

Parameter Name	New Value	Parameter Name	New Value

Remarks _____

YAMAHA REX50

PROGRAM CHANGE NUMBER & MEMORY NUMBER

Date: _____

Programmer: _____

PGM 1	MEM	PGM 44	MEM	PGM 87	MEM
PGM 2	MEM	PGM 45	MEM	PGM 88	MEM
PGM 3	MEM	PGM 46	MEM	PGM 89	MEM
PGM 4	MEM	PGM 47	MEM	PGM 90	MEM
PGM 5	MEM	PGM 48	MEM	PGM 91	MEM
PGM 6	MEM	PGM 49	MEM	PGM 92	MEM
PGM 7	MEM	PGM 50	MEM	PGM 93	MEM
PGM 8	MEM	PGM 51	MEM	PGM 94	MEM
PGM 9	MEM	PGM 52	MEM	PGM 95	MEM
PGM 10	MEM	PGM 53	MEM	PGM 96	MEM
PGM 11	MEM	PGM 54	MEM	PGM 97	MEM
PGM 12	MEM	PGM 55	MEM	PGM 98	MEM
PGM 13	MEM	PGM 56	MEM	PGM 99	MEM
PGM 14	MEM	PGM 57	MEM	PGM 100	MEM
PGM 15	MEM	PGM 58	MEM	PGM 101	MEM
PGM 16	MEM	PGM 59	MEM	PGM 102	MEM
PGM 17	MEM	PGM 60	MEM	PGM 103	MEM
PGM 18	MEM	PGM 61	MEM	PGM 104	MEM
PGM 19	MEM	PGM 62	MEM	PGM 105	MEM
PGM 20	MEM	PGM 63	MEM	PGM 106	MEM
PGM 21	MEM	PGM 64	MEM	PGM 107	MEM
PGM 22	MEM	PGM 65	MEM	PGM 108	MEM
PGM 23	MEM	PGM 66	MEM	PGM 109	MEM
PGM 24	MEM	PGM 67	MEM	PGM 110	MEM
PGM 25	MEM	PGM 68	MEM	PGM 111	MEM
PGM 26	MEM	PGM 69	MEM	PGM 112	MEM
PGM 27	MEM	PGM 70	MEM	PGM 113	MEM
PGM 28	MEM	PGM 71	MEM	PGM 114	MEM
PGM 29	MEM	PGM 72	MEM	PGM 115	MEM
PGM 30	MEM	PGM 73	MEM	PGM 116	MEM
PGM 31	MEM	PGM 74	MEM	PGM 117	MEM
PGM 32	MEM	PGM 75	MEM	PGM 118	MEM
PGM 33	MEM	PGM 76	MEM	PGM 119	MEM
PGM 34	MEM	PGM 77	MEM	PGM 120	MEM
PGM 35	MEM	PGM 78	MEM	PGM 121	MEM
PGM 36	MEM	PGM 79	MEM	PGM 122	MEM
PGM 37	MEM	PGM 80	MEM	PGM 123	MEM
PGM 38	MEM	PGM 81	MEM	PGM 124	MEM
PGM 39	MEM	PGM 82	MEM	PGM 125	MEM
PGM 40	MEM	PGM 83	MEM	PGM 126	MEM
PGM 41	MEM	PGM 84	MEM	PGM 127	MEM
PGM 42	MEM	PGM 85	MEM	PGM 128	MEM
PGM 43	MEM	PGM 86	MEM		

SERVICE

This product is supported by Yamaha's worldwide network of factory trained and qualified dealer service personnel. In the event of a problem, contact your nearest Yamaha dealer.

Multi-effecteur numérique

REX50

Manuel d'utilisation

Précautions à prendre lors de la manipulation du Matériel de Sonorisation

- Ne pas placer le coffret et les composants dans les lieux suivants:
 - Lieux exposés directement au rayonnement solaire.
 - Lieux situés au voisinage d'une source de chaleur et pouvant être soumis à une élévation excessive de température.
 - Lieux humides ou poussiéreux.
 - Lieux soumis à des vibrations excessives.
- Ne pas utiliser, pour le nettoyage de l'appareil, de dissolvants ou de solutions similaires; éviter aussi toute vaporisation d'insecticides de type aérosol au voisinage de l'appareil (les dissolvants et les insecticides de type aérosol provoquent, souvent, en effet, la décoloration). Nettoyer l'appareil en l'essuyant avec un tissu doux et sec.
- Avant la mise en marche, il convient de réduire le volume au minimum, afin d'assurer la protection du matériel branché.
- Ne rien placer sur le bloc dissipateur de chaleur. L'effet de dissipation de chaleur s'en trouverait réduit d'autant et un fonctionnement défectueux pourrait en résulter.
- Ne jamais forcer lors de la manipulation des interrupteurs, des boutons et des bornes.
- La manipulation de l'appareil doit s'effectuer soigneusement. Toute manipulation brutale — telle que choc contre un objet dur ou chute à terre — peut avoir une incidence fâcheuse sur les performances du matériel.
- Abstenez-vous de modifier ou de re-structurer l'appareil, afin d'éviter tout mauvais fonctionnement ou toute défaillance.
- Assurez-vous que les branchements avec les autres éléments sont correctement effectués, et notez que le courant doit toujours être coupé avant d'effectuer tout branchement. Si le bloc doit être déplacé, détachez au préalable tous les conducteurs, afin d'éviter tout dommage et tout risque de court-circuit.

Précautions à prendre lors de la manipulation de l'appareil fonctionnant sur courant alternatif

- Assurez-vous que la source d'alimentation correspond au voltage nominal approprié. Ne jamais brancher l'appareil avec une prise ne possédant pas le voltage nominal approprié.
- Si l'appareil doit rester inutilisé pendant une longue période, il convient de débrancher la prise d'alimentation.
- Par temps orageux, débrancher immédiatement l'appareil de la source d'alimentation, afin d'assurer la protection de ce dernier.
- Évitez de toucher l'interrupteur d'alimentation ou de brancher/débrancher la prise courant alternatif ou la prise entrée/sortie, avec des mains humides.

Précautions à prendre lors de la manipulation de l'appareil fonctionnant sur piles

- Si l'appareil doit rester inutilisé pendant une longue période, retirer les piles et les conserver en lieu sûr, afin d'éviter tout dommage résultant de fuites.
- Utilisez l'adaptateur courant alternatif exclusivement conçu pour l'appareil. Il convient de noter que certains adaptateurs ont une polarité différente.
- Lors de l'insertion des piles, assurez-vous que les polarités sont correctes. Toute erreur risque de provoquer un fonctionnement défectueux de l'appareil.

Précautions à prendre lors de la manipulation de l'ampli et du haut-parleur doté d'un ampli incorporé

- Ne pas fournir au haut-parleur une puissance supérieure à celle admissible.
- Utiliser un haut-parleur dont l'impédance reste à l'intérieur des limites données par l'ampli.

Nous vous remercions d'avoir porté votre choix sur le Multi-effecteur numérique REX50 Yamaha. Le REX50 est un appareil générateur d'effets compact et polyvalent qui peut être utilisé par les guitaristes, les clavieristes, les amateurs d'enregistrement, les ingénieurs de mixage et tous ceux qui sont impliqués, dans le monde de la musique. Il offre une sélection de 30 effets numériques de qualité exceptionnelle dont "reverb", "gated reverb", "echo", "flange", "phase" ainsi qu'une série d'effets de distorsion superbes. Les effets de distorsion du REX50 combinent en fait la distorsion avec d'autres effets ("reverb", "flange", etc.), ce qui offre des possibilités de traitement de son extraordinaires. En plus des 30 emplacements de mémoire pré-programmés, le REX50 possède également 60 emplacements de mémoire "de l'utilisateur" que vous pouvez utiliser pour mémoriser vos propres versions éditées des programmes d'effet pré-réglés et les rappeler par la suite, chaque fois que vous en avez besoin. Le REX50 est évidemment compatible MIDI et peut donc être piloté à distance, à partir d'un autre appareil MIDI.

Veillez lire attentivement ce manuel d'utilisation afin d'être en mesure de profiter au mieux de toutes les possibilités offertes par le REX50.

— TABLE DES MATIERES —

<p>PRECAUTIONS 41</p> <p>1: COMMANDES ET CONNEXIONS 42</p> <p style="padding-left: 20px;">LE PANNEAU DE COMMANDE..... 42</p> <p style="padding-left: 20px;">LE PANNEAU DE CONNECTEURS 43</p> <p>2: OPERATIONS DE BASE 45</p> <p style="padding-left: 20px;">CONFIGURATION DE LA MEMOIRE..... 45</p> <p style="padding-left: 20px;">SELECTIONNER UN EFFET/EMPLACEMENT</p> <p style="padding-left: 40px;">DE MEMOIRE 45</p> <p style="padding-left: 20px;">DESACTIVER L'EFFET..... 45</p> <p style="padding-left: 20px;">SELECTIONNER ET EDITER LES PARAMETRES</p> <p style="padding-left: 40px;">POUR CHAQUE EFFET 46</p> <p style="padding-left: 20px;">MEMORISER DES EFFETS..... 47</p> <p>3: DESCRIPTION DES PROGRAMMES D'EFFET</p> <p style="padding-left: 20px;">ET DE LEURS PARAMETRES 48</p> <p style="padding-left: 20px;">LES PARAMETRES BALANCE ET</p> <p style="padding-left: 40px;">OUTPUT LEVEL 48</p> <p style="padding-left: 20px;">1. REV 1 HALL..... 48</p> <p style="padding-left: 20px;">2. REV 2 ROOM 48</p> <p style="padding-left: 20px;">3. REV 3 VOCAL 48</p> <p style="padding-left: 20px;">4. REV 4 PLATE 48</p> <p style="padding-left: 20px;">5. EARLY REF. 1 49</p> <p style="padding-left: 20px;">6. GATE REVERB..... 49</p> <p style="padding-left: 20px;">7. DELAY L&R 51</p> <p style="padding-left: 20px;">8. STEREO ECHO..... 51</p> <p style="padding-left: 20px;">9. STEREO FLANGE..... 52</p> <p style="padding-left: 20px;">10. CHORUS 52</p> <p style="padding-left: 20px;">11. STEREO PHASING 52</p> <p style="padding-left: 20px;">12. SYMPHONIC 53</p> <p style="padding-left: 20px;">13. REVERSE GATE 49</p> <p style="padding-left: 20px;">14. ADR-NOISE GATE..... 53</p> <p style="padding-left: 20px;">15. COMPRESSOR..... 54</p> <p style="padding-left: 20px;">16. REVERB & GATE 55</p> <p style="padding-left: 20px;">17. PITCH CHANGE A 55</p> <p style="padding-left: 20px;">18. PITCH CHANGE B 56</p> <p style="padding-left: 20px;">19. PITCH CHANGE C 57</p> <p style="padding-left: 20px;">20. PAN 57</p>	<p>21. DISTORTION 58</p> <p>22. DIST. + REV HALL..... 58</p> <p>23. DIST. + REV PLATE 58</p> <p>24. DIST. + GATE REV 59</p> <p>25. D. + REVERSE GATE..... 59</p> <p>26. DIST. + DELAY 59</p> <p>27. DIST. + ECHO 60</p> <p>28. DIST. + FLANGE 61</p> <p>29. DIST + CHORUS 61</p> <p>30. DIST + SYMPHONIC 62</p> <p>4: FONCTIONS UTILITAIRES..... 63</p> <p style="padding-left: 20px;">TITLE EDIT..... 63</p> <p style="padding-left: 20px;">MIDI BANK & CHANNEL ASSIGNMENT 63</p> <p style="padding-left: 20px;">FOOTSWITCH MEMORY RECALL RANGE 65</p> <p>5: FORMAT DES DONNEES MIDI 66</p> <p>6: CARACTERISTIQUES TECHNIQUES 68</p> <p>7: CONTENU DE LA ROM ET PARAMETRES</p> <p style="padding-left: 20px;">PROGRAMMABLES 69</p> <p>8: SCHEMA DE PRINCIPE..... 71</p> <p>9: TABLEAU VIERGE..... 72</p>
--	---

PRECAUTIONS

1. EVITEZ LES CHALEURS EXCESSIVES, L'HUMIDITE, LA POUSSIERE ET LES VIBRATIONS

Evitez d'installer cet appareil dans des endroits où il pourrait être exposé à une température ou une humidité excessives (à proximité d'un appareil de chauffage, par exemple). Evitez également les endroits poussiéreux ou soumis à des vibrations, car cela pourrait entraîner des problèmes mécaniques.

2. EVITEZ LES CHOCS

Les chocs risquent de provoquer des dommages internes. Manipulez cet appareil avec précaution.

3. N'OUVREZ PAS L'APPAREIL ET N'ESSAYEZ PAS DE LE MODIFIER OU DE LE REPARER PAR VOUS-MEME

Cet appareil ne contient aucun élément que l'utilisateur est en mesure de modifier ou de réparer par lui-même. Confiez tout travail d'entretien ou de révision au personnel compétent du service après-vente Yamaha. Le fait d'ouvrir l'appareil et/ou de bricoler les circuits internes entraînera l'annulation automatique de la garantie du produit.

4. METTEZ L'APPAREIL HORS TENSION AVANT DE TOUCHER AUX CONNEXIONS.

Mettez toujours l'appareil hors tension avant de connecter ou de déconnecter des câbles. Ceci est important afin d'éviter d'endommager non seulement l'appareil lui-même, mais également les autres appareils connectés.

5. MANIPULEZ LES CABLES AVEC PRECAUTION

Lorsque vous branchez ou débranchez des câbles, tenez-les toujours par la fiche. Ne tirez pas sur le cordon.

6. NETTOYEZ AVEC UN CHIFFON DOUX ET SEC

Nettoyez le coffret uniquement avec un chiffon doux et sec. N'utilisez jamais de solvants ou de diluants pour peinture.

7. UTILISEZ TOUJOURS UN COURANT D'ALIMENTATION DE TENSION CORRECTE

Assurez-vous que la tension du secteur correspond à celle indiquée sur le panneau arrière.

Modèle pour les Etats-Unis et le Canada:

120V secteur, 60 Hz

Modèle universel: 220-240V secteur, 50/60 Hz

8. EN CAS D'INTERFERENCES

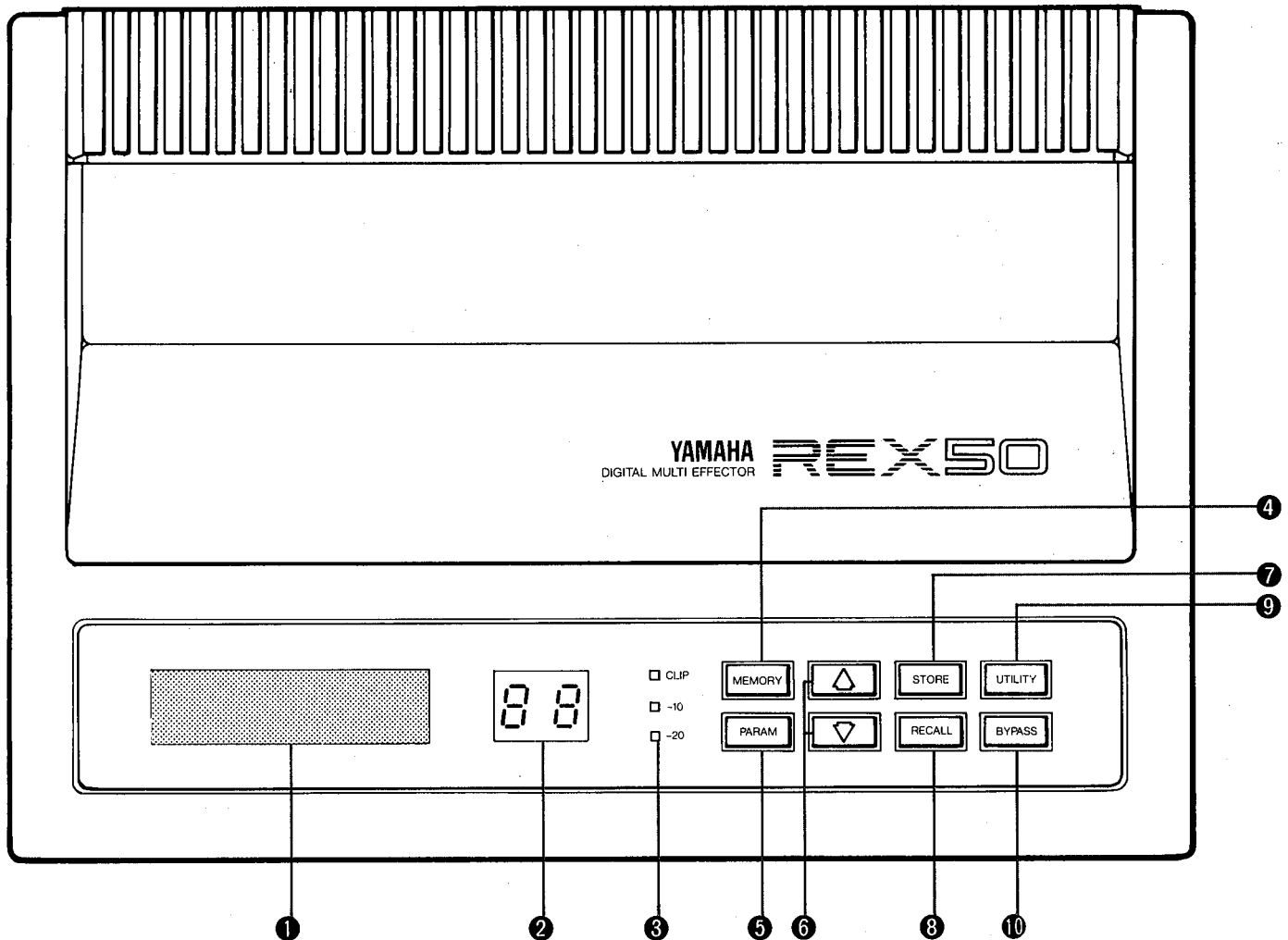
Parce qu'il contient des circuits numériques, le REX50 peut être la cause d'interférences et de parasites s'il est placé trop près d'un téléviseur, un récepteur radio ou un appareil similaire. Si vous rencontrez ce genre de problème, éloignez le REX50 de l'appareil affecté.

9. PILE DE PRESERVATION DE LA MEMOIRE

Le REX50 contient une pile au lithium de longue durée qui conserve le contenu du tampon même lorsque l'appareil est mis hors tension. Dans des conditions d'utilisation normales, la pile a une durée de vie d'environ 5 ans. Si la tension de la pile descend en dessous du niveau de sécurité, le message "*** WARNING ** LOW BATTERY" apparaît sur le LCD lorsque l'appareil est mis sous tension. Si ce message apparaît, faites changer la pile par un centre de service après-vente Yamaha à la première occasion. N'essayez pas de remplacer la pile par vous-même!

1: COMMANDES ET CONNEXIONS

LE PANNEAU DE COMMANDE



1 Panneau d'affichage à cristaux liquides (LCD)

Ce panneau d'affichage à cristaux liquides de 2 lignes de 16 caractères affiche normalement le titre de l'effet sélectionné sur la ligne supérieure et le paramètre sélectionné et sa valeur sur la ligne inférieure. Une ligne (ou les deux) peut également être utilisée pour afficher un message d'erreur ou un avertissement, s'il y a lieu.

2 Affichage à DEL du numéro de mémoire

Cet affichage à 2 chiffres indique le numéro de l'emplacement de mémoire actuellement sélectionné (1-90). Lorsqu'il reste allumé de manière permanente, l'effet correspondant au numéro sélectionné est actif. Lorsqu'il clignote, cela signifie qu'un nouvel emplacement de mémoire a été sélectionné mais n'a pas encore été rappelé, de sorte que l'effet précédemment sélectionné reste actif.

3 Indicateur de niveau d'entrée

L'indicateur de niveau d'entrée est composé de trois témoins à DEL correspondant aux niveaux d'entrée -20 dB, -10 dB et CLIP (écrêtage). Lorsque la source (instrument ou autre) est connectée aux entrées du REX50, son volume doit être réglé sur le niveau maximum souhaité lors de l'exécution réelle et la commande INPUT LEVEL du panneau arrière (voir "PANNEAU DE CONNEXIONS, point 7) doit être réglée de telle sorte que les témoins -20 dB et -10 dB s'allument et que le témoin CLIP ne s'allume qu'exceptionnellement.

4 Touche MEMORY

Appuyez sur cette touche pour engager le mode de sélection de mémoire et sélectionner un nouvel emplacement de mémoire au moyen des touches Δ et ∇ .

5 Touche PARAM

Cette touche donne accès aux différents paramètres qui peuvent être édités pour chaque effet. Chaque pression sélectionne le paramètre suivant dans la "liste" des paramètres modifiables de l'effet sélectionné.

6 Touches d'incrémentatation et de décrémentatation

Ces touches permettent de sélectionner les emplacements de mémoire lorsque le mode de sélection de mémoire est engagé (lorsque la touche MEMORY a été pressée) ou de changer les valeurs des paramètres lorsque le mode d'édition de paramètre est engagé (lorsque la touche PARAM a été pressée). Les touches Δ et ∇ servent également à programmer différentes fonctions utilitaires.

7 Touche STORE

Cette touche permet de mémoriser les paramètres d'effet édités dans l'un des emplacements de mémoire 31 à 90.

8 Touche RECALL

Lorsque vous avez sélectionné un nouvel emplacement de mémoire au moyen des touches Δ et ∇ , appuyez sur cette touche pour activer l'effet sélectionné.

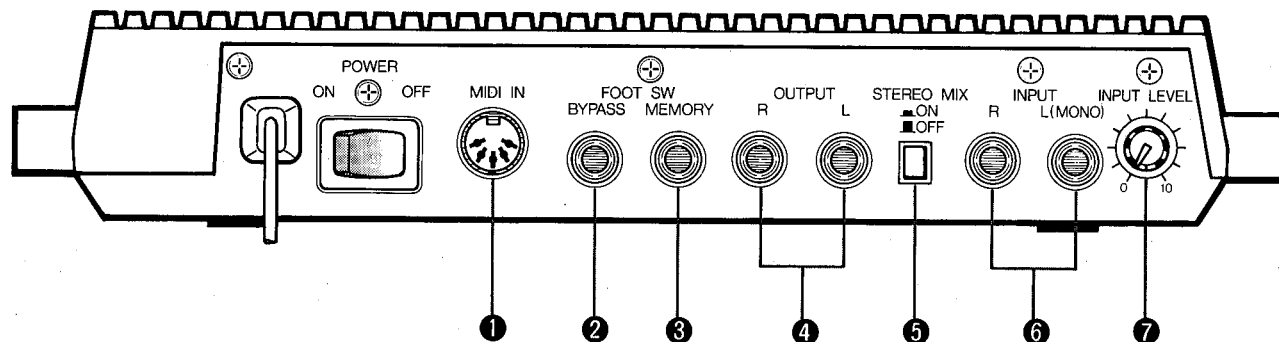
9 Touche UTILITY

Cette touche donne accès à toute une série de fonctions utilitaires permettant d'éditer les noms d'effet, de programmer des commandes MIDI ou la plage de numéros de mémoire qui peuvent être rappelés au moyen du commutateur au pied.

10 Touche BYPASS

Cette touche permet de désactiver l'effet sélectionné pour ne laisser passer que le signal direct.

LE PANNEAU DE CONNECTEURS



1 Borne MIDI IN

Les signaux MIDI d'un appareil MIDI externe sont envoyés à cette borne pour sélectionner les effets, régler le décalage de hauteur de l'effet PITCH CHANGE A et déclencher certains autres effets à distance.

2 Prise FOOT SW BYPASS

Un commutateur au pied FC5 Yamaha (option), ou équivalent, connecté à cette prise peut être utilisé pour commander du pied la fonction BYPASS.

3 Prise FOOT SW MEMORY

Un commutateur au pied FC5 Yamaha (option), ou équivalent, connecté à cette prise, peut être utilisé pour sélectionner séquentiellement les effets mémorisés dans les emplacements de mémoire 31 à 90, permettant ainsi de régler une séquence d'effets à utiliser les uns après les autres au cours d'une représentation en direct.

4 Prises OUTPUT R & L

Ces deux prises "jack" monorales de 1/4" fournissent le signal de sortie stéréo du REX50 à un matériel d'amplification ou de mixage situé en aval. Ces prises peuvent être connectées directement aux entrées d'amplificateurs de guitare, d'amplificateurs de clavier, de consoles d'enregistrement ou de mixage.

Comme la plupart des effets du REX50 sont de véritables effets stéréo, nous vous recommandons de connecter les deux prises de sortie aux entrées correspondantes d'un système stéréo ou à deux canaux pour obtenir un son optimal. Si cela n'est pas possible, connectez l'une des prises OUTPUT (L ou R) au matériel d'amplification utilisé.

5 Commutateur STEREO MIX

Ce commutateur détermine si le signal qui est fourni aux prises OUTPUT est du type "effet seulement" ou "effet plus signal direct". Lorsque le commutateur est sur ON, le signal direct est combiné avec le signal d'effet et le résultat est envoyé aux sorties. Lorsque le commutateur est réglé sur OFF, seule la sortie traitée du REX50 est fournie aux sorties. L'équilibre entre le signal entré et le signal d'effet est réglé automatiquement à l'intérieur du REX50, de même que le niveau de sortie. Dans des conditions d'utilisation normales, le commutateur STEREO MIX doit être réglé sur la position OFF.

6 Prises INPUT R & L(MONO)

Lorsque vous utilisez une source stéréo, — comme, par exemple, un clavier électronique stéréo —, branchez les sorties des canaux gauche (L) et droit (R) de l'instrument aux prises INPUT L et R correspondantes du REX50. Lorsque vous utilisez une source mono, — comme, par exemple, une guitare électrique —, branchez la sortie de l'instrument à la prise INPUT L (MONO) du REX50.

7 Commande INPUT LEVEL

Cette commande s'utilise en conjonction avec l'indicateur de niveau d'entrée du panneau de commandes afin de fixer le niveau d'entrée optimal pour la source utilisée. Réglez la commande INPUT LEVEL de sorte que les témoins correspondant à -20 dB et à -10 dB s'allument, mais que le témoin CLIP ne s'allume pratiquement jamais lorsque vous jouez sur l'instrument source.

2: OPERATIONS DE BASE

CONFIGURATION DE LA MEMOIRE

Le REX50 possède 90 emplacements de mémoire internes. Les emplacements 1 à 30 sont du type "à lecture uniquement" (ROM) et contiennent les 30 programmes d'effet pré-réglés. Ces emplacements de mémoire ne peuvent être modifiés de quelque manière que ce soit. Les programmes d'effet des emplacements 1 à 30 sont:

N° de mémoire	Numéro de programme	N° de mémoire	Numéro de programme
1	REV 1 HALL	16	REVERB & GATE
2	REV 2 ROOM	17	PITCH CHANGE A
3	REV 3 VOCAL	18	PITCH CHANGE B
4	REV 4 PLATE	19	PITCH CHANGE C
5	EARLY REF. 1	20	PAN
6	GATE REVERB	21	DISTORTION
7	DELAY L, R	22	DIST. + REV HALL
8	STEREO ECHO	23	DIST. + REV PLATE
9	STEREO FLANGE	24	DIST. + GATE REV
10	CHORUS	25	D. + REVERSE GATE
11	STEREO PHASING	26	DIST. + DELAY
12	SYMPHONIC	27	DIST. + ECHO
13	REVERSE GATE	28	DIST. + FLANGE
14	ADR-NOISE GATE	29	DIST. + CHORUS
15	COMPRESSOR	30	DIST. + SYMPHONIC

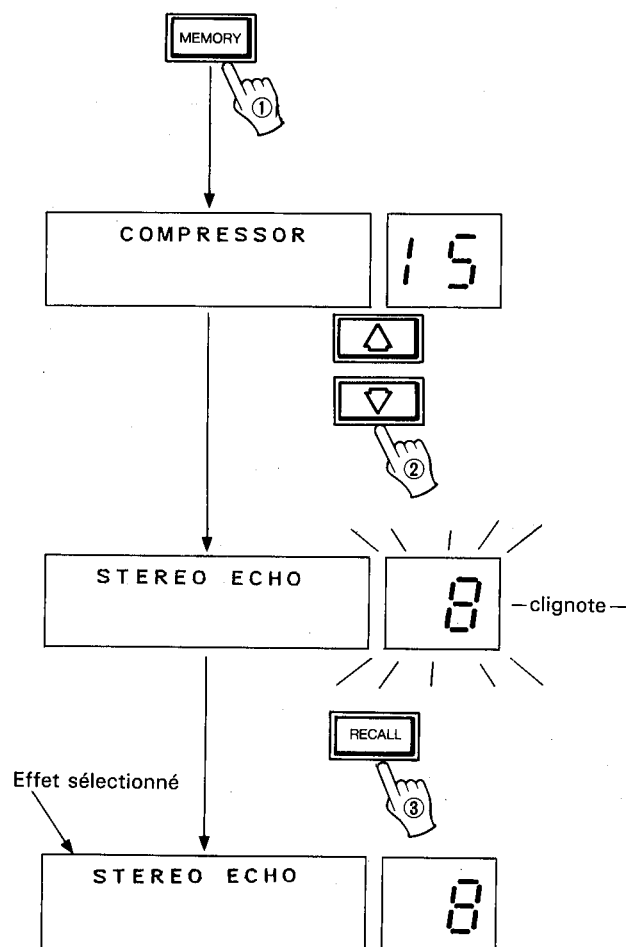
Chacun de ces programmes d'effet est décrit en détails au chapitre 3: "DESCRIPTION DES PROGRAMMES D'EFFET ET DE LEURS PARAMETRES", à la page 48. Les emplacements 31 à 90 sont du type "lecture/écriture" (RAM) et vous pouvez les utiliser pour mémoriser vos propres versions éditées des programmes pré-réglés.

SELECTIONNER UN EFFET/EMPLACEMENT DE MEMOIRE

- Appuyez sur la touche MEMORY pour engager le mode de sélection de mémoire. Cela n'est pas nécessaire si le mode de sélection de mémoire est déjà engagé, mais c'est une bonne habitude à prendre pour ne pas se tromper.
- Appuyez sur la touche Δ ou ∇ pour incrémenter ou décrémenter le numéro d'emplacement de mémoire indiqué sur l'affichage à DEL. Maintenez l'une de ces deux touches enfoncée pour une incrémentation ou une décrémentation continue. Le nom du programme correspondant au numéro d'emplacement de mémoire indiqué est affiché sur le LCD (ou "****NO DATA****" est affiché, si aucun programme d'effet édité n'a été mémorisé

dans l'emplacement de mémoire sélectionné. Remarquez que, dans ce cas, l'affichage à DEL du numéro de mémoire clignote pour indiquer que bien qu'un nouvel emplacement de mémoire ait été sélectionné, son contenu n'a pas encore été rappelé.

- Lorsque l'emplacement de mémoire/effet souhaité a été sélectionné, appuyez sur la touche RECALL. L'affichage à DEL du numéro de mémoire s'arrête de clignoter et l'effet sélectionné est engagé.



DESACTIVER L'EFFET

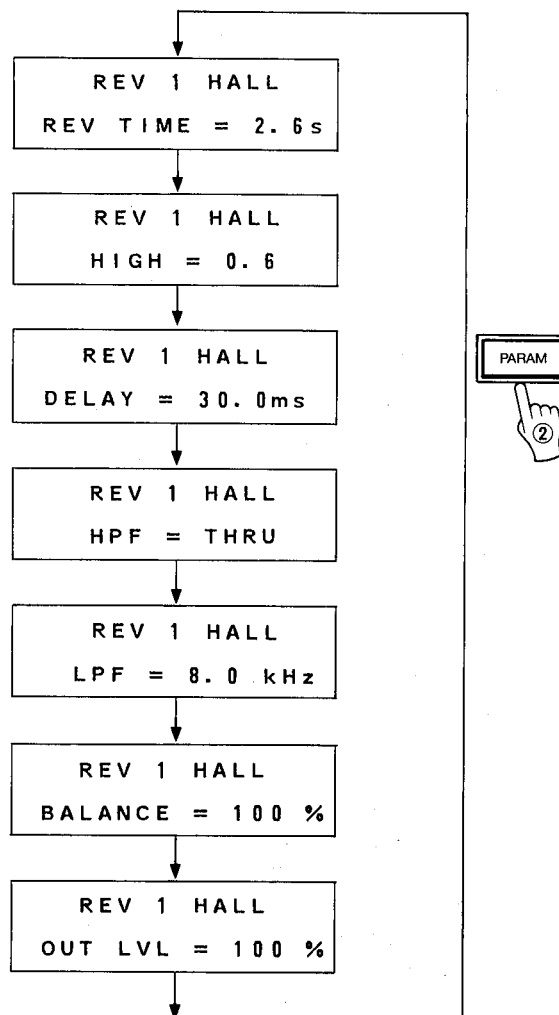
Il y a deux manières d'activer et de désactiver l'effet sélectionné: ① au moyen de la touche BYPASS du panneau de commandes et ② au moyen d'un commutateur au pied connecté à la prise BYPASS du panneau de connecteurs. Un commutateur au pied FC5 Yamaha (option) peut être utilisé pour commander l'activation et la désactivation de l'effet. Dans les deux cas - quand la touche BYPASS du panneau de commandes ou le commutateur au pied est utilisé - une lettre "B" apparaît dans le coin supérieur droit du LCD. Lorsque le "B" est affiché, l'effet du REX50 est contourné et le signal entré est sorti inchangé par les bornes de sortie (l'effet est désactivé). Appuyez une seconde fois sur la touche BYPASS ou sur le commutateur au pied pour ré-activer l'effet.

SELECTIONNER ET EDITER LES PARAMETRES POUR CHAQUE EFFET

Chacun des effets du REX50 possède un certain nombre de paramètres que vous pouvez éditer pour créer un son parfaitement adapté à vos exigences musicales.

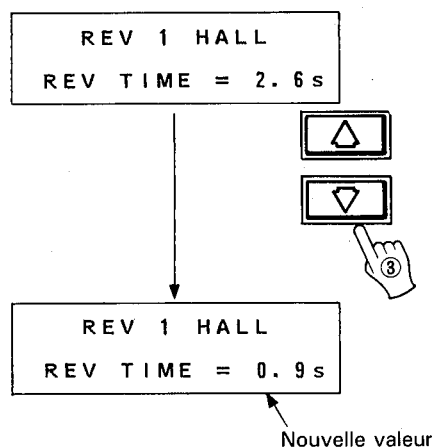
Les différents effets et leurs paramètres sont décrits en détails au chapitre 3 "DESCRIPTION DES EFFETS ET DE LEURS PARAMETRES" à la page 48. En guise d'exemple, voici comment sélectionner et éditer les paramètres de l'effet REV 1 HALL.

- ① Sélectionnez et rappelez l'effet à éditer (REV 1 HALL, dans ce cas).
- ② Appuyez sur la touche PARAM. Le premier paramètre réglable de l'effet sélectionné apparaît sur la ligne inférieure du LCD. A chaque pression sur la touche PARAM, le paramètre suivant dans la "liste des paramètres" de l'effet est appelé. Dans le cas de REV 1 CALL, la séquence de paramètres est la suivante:



Remarquez qu'après le dernier paramètre (OUT LVL, dans ce cas), une nouvelle pression sur la touche PARAM rappelle le premier paramètre de la liste.

- ③ Une fois que vous avez sélectionné le paramètre, vous pouvez éditer sa valeur en utilisant les touches Δ ou ∇ . La touche Δ incrémente (augmente) la valeur tandis que la touche ∇ décrémente (diminue) la valeur. Chacune de ces deux touches peut être maintenue enfoncée pour une incrémentation ou une décrémentation continue.

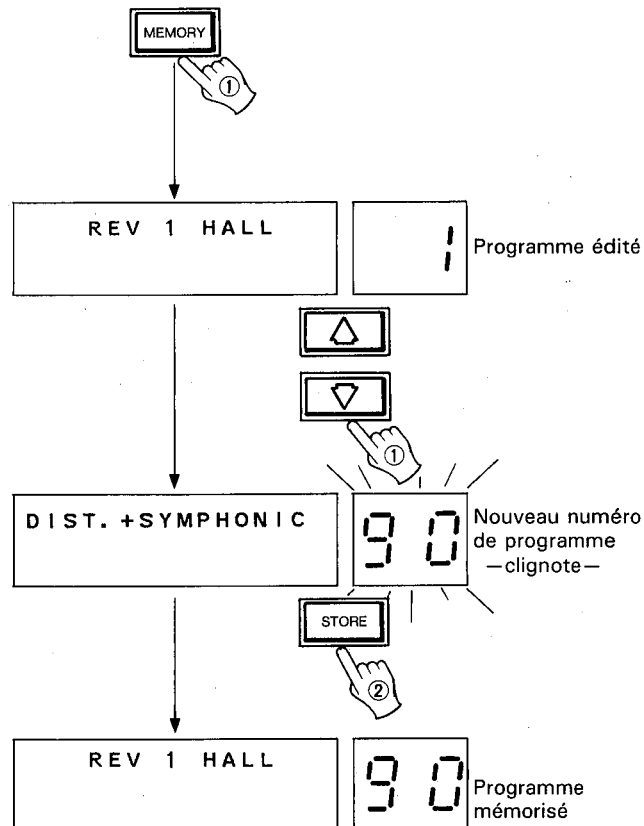


Vous pouvez éditer ainsi chacun des paramètres jusqu'à ce que vous obteniez le son souhaité. Si, cependant, vous sélectionnez et rappelez un nouvel effet sans préalablement mémoriser vos paramètres édités dans un des emplacements de mémoire 31 à 90, les changements que vous avez effectués seront perdus et devront être reprogrammés. Pour conserver un effet édité, utilisez la fonction STORE comme décrit à la page suivante.

MEMORISER DES EFFETS

Pour mémoriser un effet édité afin de pouvoir le rappeler ultérieurement, procédez comme suit:

- ① Après avoir édité l'effet, sélectionnez un emplacement de mémoire entre 31 et 90 en appuyant d'abord sur la touche MEMORY, puis en utilisant les touches Δ et ∇ . Ne rappelez pas l'emplacement de mémoire sélectionné.
- ② Appuyez sur la touche STORE pour mémoriser l'effet édité dans l'emplacement de mémoire sélectionné. Le nom de l'effet mémorisé apparaît sur le LCD (vous pouvez changer ce nom en utilisant la fonction EDIT TITLE du mode UTILITY). L'affichage à DEL du numéro d'emplacement de mémoire s'arrête de clignoter et l'effet mémorisé dans cet emplacement, devient effectif.



REMARQUE: Vous NE pouvez PAS mémoriser des données éditées dans les emplacements de mémoire 1 à 30. Si vous essayez de le faire, le LCD affichera "****READ ONLY*** MEM NO. 1-30".

** READ ONLY **
MEM NO. 1-30

REMARQUE: Une fois que vous avez mémorisé un effet dans l'un des emplacements de mémoires 31 à 90, vous pouvez encore éditer ses paramètres dans autre emplacement de mémoire. De telles modifications seront cependant perdues si un effet différent est sélectionné et rappelé, à moins que vous n'ayez préalablement mémorisé les changements au moyen de la fonction STORE. Les modifications peuvent être mémorisées dans l'emplacement dont le numéro est affiché (31-90), en appuyant simplement sur la touche STORE.

3: DESCRIPTION DES PROGRAMMES D'EFFET ET DE LEURS PARAMETRES

LES PARAMETRES BALANCE ET OUTPUT LEVEL

Etant donné que tous les effets du REX50 possèdent les mêmes effets BALANCE et OUT LVL (niveau de sortie), nous les décrivons en premier lieu et nous éviterons de les mentionner dans la description de chaque effet. Généralement ces deux paramètres sont les derniers de la liste de paramètres de l'effet.

BALANCE: 0—100% (Equilibre signal direct/effet)

Ce paramètre régle l'équilibre entre le signal direct et le signal d'effet. A 100%, seul le signal d'effet est fourni par les bornes de sortie du REX50, tandis qu'à 0%, seul le signal direct est sorti. Lorsque ce paramètre est réglé sur 50%, le signal direct et le signal d'effet sont sortis à peu près dans les mêmes proportions.

OUT LVL: 0—100% (Niveau de sortie)

Ce paramètre fixe le niveau de sortie de l'effet. Il est particulièrement utile pour faire correspondre le niveau de différents effets dans le cas d'une séquence d'effets utilisée au cours d'une représentation en direct.

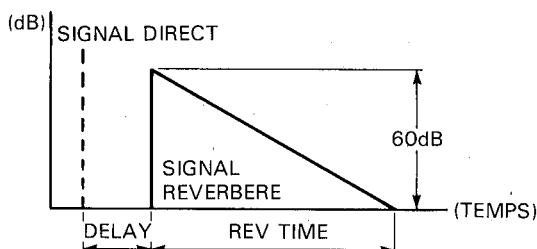
1. REV 1 HALL

2. REV 2 ROOM

3. REV 3 VOCAL

4. REV 4 PLATE

La réverbération est l'"ambiance" musicale telle que vous la ressentez dans une salle de concert ou un autre environnement acoustique spécialement étudié. Le REX50 vous offre quatre effets de réverbération différents: REV 1 HALL, qui simule le type de réverbération que l'on rencontre généralement dans une grande salle; REV 2 ROOM, qui simule le type de réverbération que l'on rencontre généralement dans une salle de dimension plus modeste; REV 3 VOCAL, qui produit un type de réverbération particulièrement adapté aux voix et REV 4 PLATE, qui reproduit artificiellement le type de réverbération généralement obtenue avec un réverbérateur à plaques.



REV TIME: 0,3—99,0 s (Durée de réverbération)

Le temps nécessaire pour que le niveau de réverbération à 1 kHz descende de 60 dB—pratiquement au silence. En "live", cela dépend de plusieurs facteurs, dimensions et forme du local, type de surfaces réfléchissantes, etc.

HIGH: 0,1—1,0 (Rapport de durée de réverbération dans les hautes fréquences)

La réverbération naturelle varie en fonction de la fréquence du son. Plus la fréquence est haute, plus le son tend à être absorbé par les murs, l'ameublement et même l'air. Ce paramètre permet de modifier la durée de réverbération des hautes fréquences par rapport à la durée de réverbération globale.

DELAY: 0,1—50,0 ms (Retard initial)

Ce paramètre représente le retard entre le son direct d'un instrument et la première des nombreuses réflexions qui forment la réverbération.

HPF: THRU, 32 Hz—1,0 kHz (Filtre passe-haut)

Permet d'éliminer les composantes à basse fréquence du signal réverbéré, en dessous de la fréquence fixée. Le filtre est désactivé lorsque le paramètre est réglé sur THRU.

LPF: 1 kHz—11 kHz, THRU (Filtre passe-bas)

Permet d'éliminer les composantes à haute fréquence du signal réverbéré, au-dessus de la fréquence fixée. Le filtre est désactivé lorsque le paramètre est réglé sur THRU.

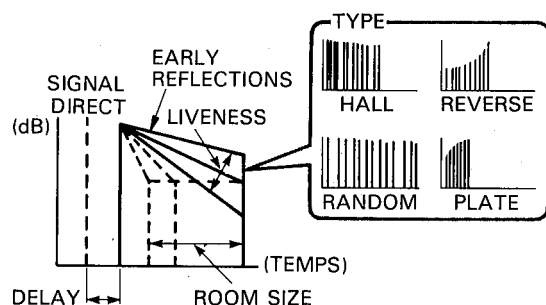
5. EARLY REF. 1

6. GATE REVERB

Ces effets sont créés en utilisant différents groupements de "premières réflexions" — la première vague de réflexions suivant le signal direct, mais arrivant avant les réflexions denses qui marquent le début de la réflexion.

13. REVERSE GATE

Cet effet produit un son de "slapback" dynamique, similaire à celui produit lorsqu'une bande est reproduite à l'envers.



TYPE: HALL/RANDOM/REVERSE/PLATE

(Motif des premières réflexions)

Le paramètre TYPE permet de choisir l'un des quatre motifs disponibles pour les premières réflexions. HALL produit un groupement de premières réflexions typique d'une salle de concert. RANDOM produit une série de réflexions irrégulières qui ne se rencontre pas naturellement. PLATE produit un groupement de réflexions typique d'un réverbérateur à plaques. REVERSE génère une série de réflexions qui augmentent en niveau - comme lorsque l'on reproduit un son réverbéré à l'envers.

ROOM SIZE: 0,1 – 20,0 (Dimension du local)

Ce paramètre fixe l'intervalle de temps entre les premières réflexions — une caractéristique des premières réflexions naturelles qui est directement proportionnelle à la dimension du local.

LIVENESS: 0 – 10 (Vivacité)

La "vivacité" fait référence à la vitesse avec laquelle les sons réfléchis s'estompent. Réglez ce paramètre sur 0 pour simuler un local acoustiquement mort et augmentez la valeur pour créer un son de plus en plus "vivant" comme s'il y avait de plus en plus de surfaces réfléchissantes dans le local.

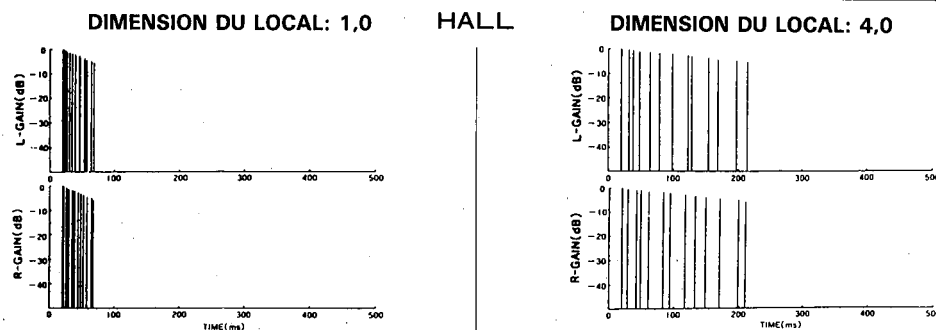
DELAY: 0,1 – 400,0 ms (Retard)

Le temps de retard entre le son direct de l'instrument et la première des premières réflexions.

LPF: 1 kHz – 11 kHz, THRU (Filtre passe-bas)

Permet d'éliminer les composantes à haute fréquence du signal d'effet au-dessus de la fréquence fixée. Le filtre est désactivé lorsque le paramètre est réglé sur THRU.

TABLEAU DU MODE EARLY REFLECTION



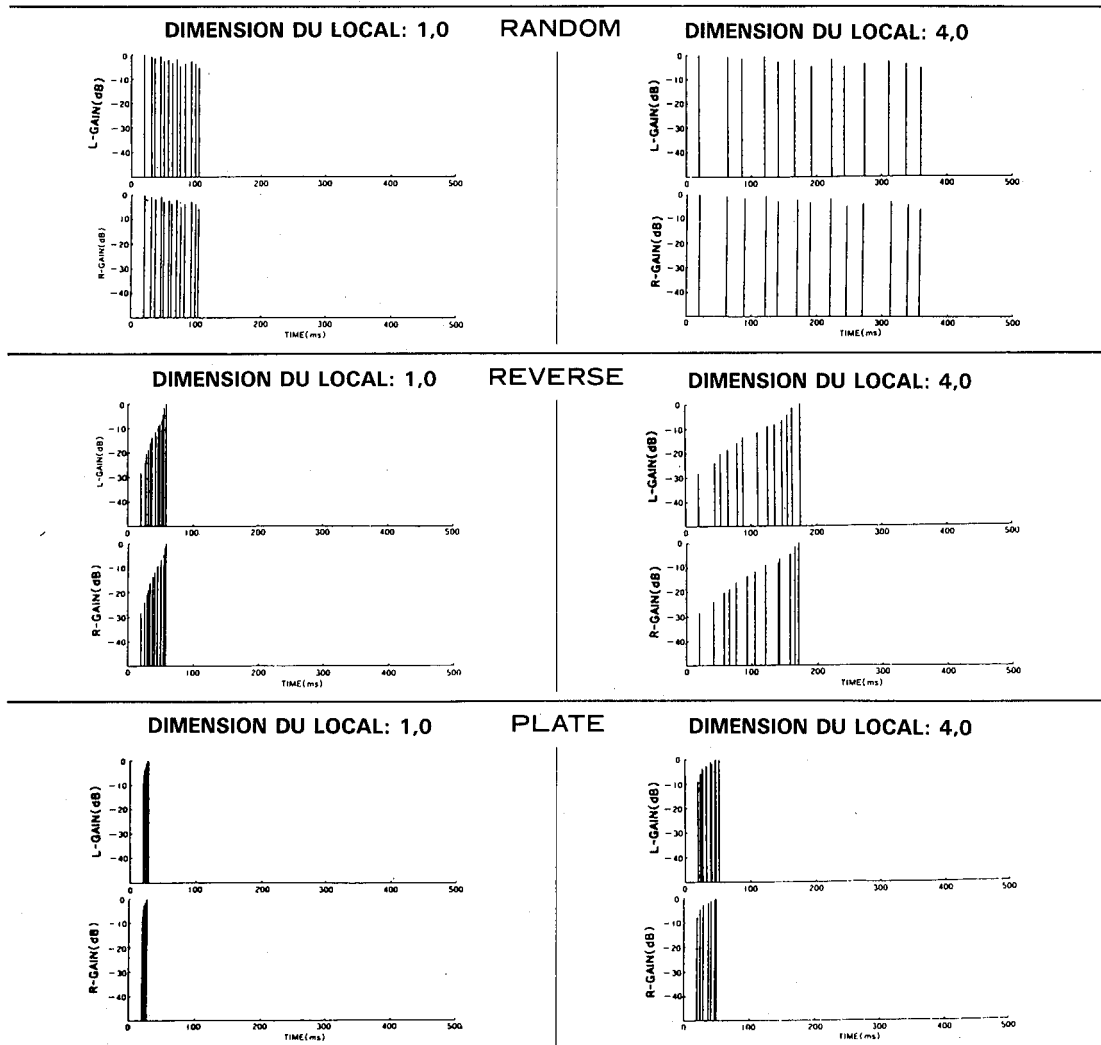
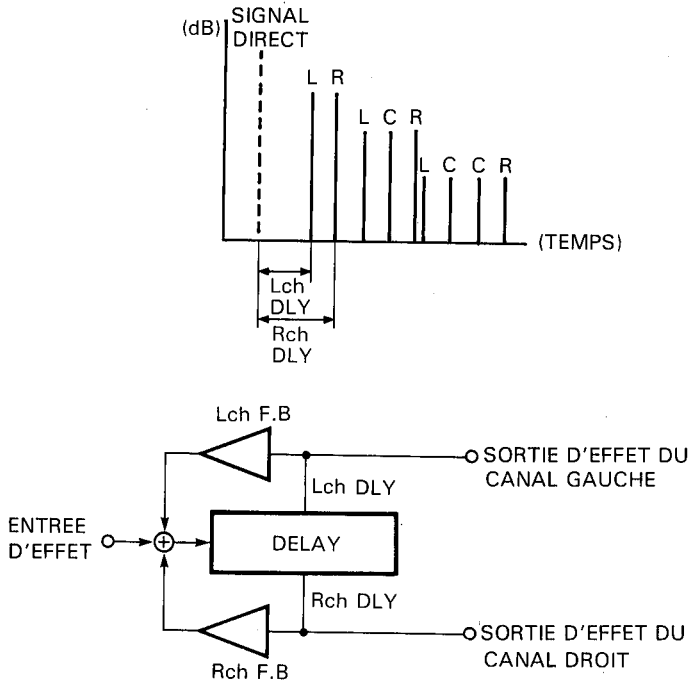


TABLE DES DIMENSIONS DE LOCAL

LOCAUX	Boîte ▼	Petite voiture ▼	Cabane ▼	Pièce d'appartement ▼	Petit salle de réunion ▼	Grande salle de réunion ▼	Salle de concert moyenne ▼	Petite salle de concert ▼	Grande salle de concert ▼	Auditorium ▼	Astrodome ▼
Longueur du local lorsqu'il est cubique (m)	0,46	1	2,15	4,64	10	21,5	46,4	100	215	464	
Volume (m ³)	0,1	1	10	10 ²	10 ³	10 ⁴	10 ⁵	10 ⁶	10 ⁷	10 ⁸	
HALL				0,1	0,2	0,5	1,0	2,0	5,0	10,0	20,0
RANDOM				0,1	0,2	0,5	1,0	2,0	5,0	10,0	20,0
REVERSE				0,1	0,2	0,5	1,0	2,0	5,0	10,0	20,0
PLATE	0,1	0,2	0,5	1,0	2,0	5,0	10,0	20,0			

7. DELAY L&R

Cet effet de retardement stéréo offre des retards variables indépendants sur les canaux gauche et droit.



Lch DLY: 0,1–500,0 ms (Retard sur le canal gauche)

Fixe le temps de retard entre le son direct de l'instrument et la première répétition entendue sur le canal gauche.

Lch F.B: –99 – +99% (Gain de feedback sur le canal gauche)

Fixe la quantité du signal de retard sur le canal gauche qui est renvoyée à l'entrée du processeur. Plus la valeur du paramètre est élevée, plus il y a de répétitions retardées produites.

Rch DLY: 0,1–500,0 ms (Retard sur le canal droit)

Fixe le temps de retard entre le son direct de l'instrument et la première répétition entendue sur le canal droit.

Rch F.B: –99 – +99% (Gain de feedback sur le canal droit)

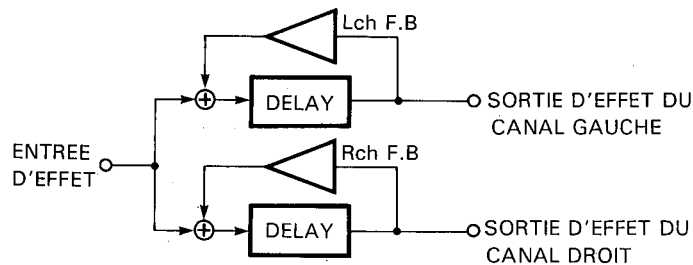
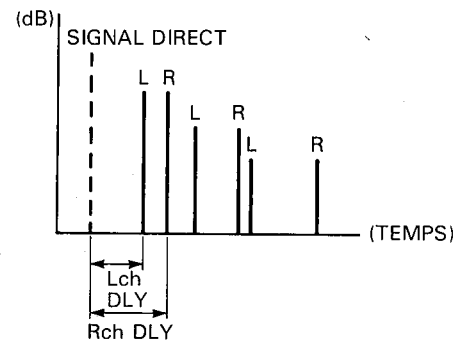
Fixe la quantité du signal de retard sur le canal droit qui est renvoyée à l'entrée du processeur. Plus la valeur du paramètre est élevée, plus il y a de répétitions retardées produites.

HIGH: 0,1–1,0 (Feedback dans les hautes fréquences)

Commande le feedback dans la plage des hautes fréquences. Le feedback dans les hautes fréquences est réduit lorsque la valeur du paramètre est abaissée.

8. STEREO ECHO

Cet effet peut être utilisé pour créer des effets d'écho superbes avec retards et feedback variables et indépendants sur les canaux gauche et droit.



Lch DLY: 0,1–250,0 ms (Retard sur le canal gauche)

Le premier écho apparaît sur le canal gauche après le temps de retard fixé par ce paramètre. Les échos suivants sont produits avec le même intervalle et le nombre d'échos dépend du réglage du paramètre Lch F.B. pour le canal correspondant.

Lch F.B: –99 – +99% (Gain de feedback sur le canal gauche)

Fixe le nombre des échos qui suivent le signal direct – depuis zéro jusqu'à pratiquement l'infini lorsque le paramètre est réglé sur la valeur maximale.

Rch DLY: 0,1–250,0 ms (Retard sur le canal droit)

Comme pour Lch DLY, mais affecte le canal droit.

10. CHORUS

Rch F.B: -99 – +99% (Gain de feedback sur le canal droit)

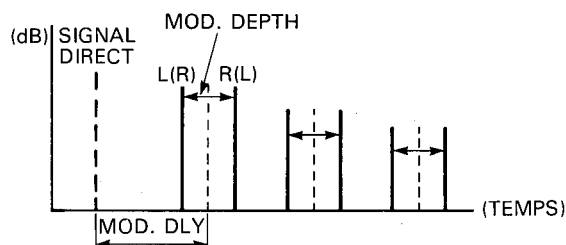
Comme pour Lch F.B, mais affecte le canal droit.

HIGH: 0,1 – 1,0 (Feedback dans les hautes fréquences)

Commande le feedback dans la plage des hautes fréquences. Le feedback dans les hautes fréquences est réduit lorsque la valeur du paramètre est abaissée.

9. STEREO FLANGE

Cet effet produit un son "tourbillonnant" agréable qui contribue à épaissir le son d'un instrument et à le rendre plus chaud.



MOD. FRQ: 0,1 – 20,0 Hz (Fréquence de modulation)

Fixe la vitesse de modulation et donc la vitesse avec laquelle l'effet varie.

MOD. DEPTH: 0 – 100% (Profondeur de modulation)

Fixe l'importance de la variation du temps de retard et donc, la profondeur de l'effet.

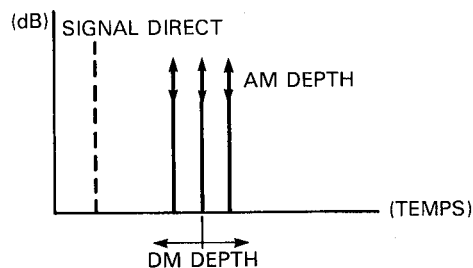
MOD. DLY: 0,1 – 100,0 ms (Retard de modulation)

Ce paramètre fixe le temps de retard de base entre le son direct initial et le début de l'effet.

F.B GAIN: 0 – 99% (Gain de feedback)

Détermine la quantité du signal d'effet qui est renvoyée à l'entrée du processeur pour être à nouveau modulée. Plus de feedback augmente la complexité globale, la "force" et la durée d'estompage de l'effet.

Comme l'effet précédent, l'effet CHORUS sert à épaissir le son d'un instrument pour donner l'impression qu'il y a plusieurs instruments qui jouent en même temps. L'effet CHORUS divise le signal entrant en trois signaux qui sont placés au centre, à gauche et à droite du panorama stéréo. Le temps de retard et le niveau des trois signaux sont alors modulés par le LFO (oscillateur à basse fréquence).



MOD.FRQ: 0,1 – 20,0 Hz: (Fréquence de modulation)

Fixe la vitesse avec laquelle l'effet varie.

DM DEPTH: 0 – 100% (Profondeur de la modulation de retard)

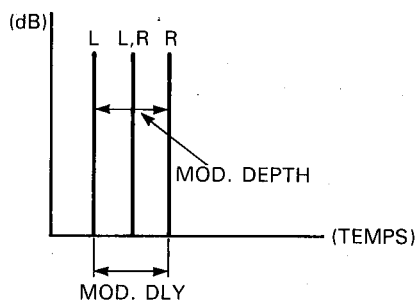
Ce paramètre fixe l'importance de la variation du temps de retard d'un signal retardé par rapport à l'autre et donc, la profondeur de l'effet CHORUS.

AM DEPTH: 0 – 100% (Profondeur de la modulation d'amplitude)

Fixe l'importance de la variation d'amplitude (niveau) du signal entré.

11. STEREO PHASING

L'effet PHASING est en fait une variante moins extrême de l'effet FLANGE, conférant une qualité moelleuse au son original.



MOD.FRQ: 0,1 – 20,0 Hz (Fréquence de modulation)

Fixe la vitesse avec laquelle l'effet varie.

MOD.DEPTH: 0 – 100% (Profondeur de modulation)

Fixe l'importance de la variation du temps de retard et donc, la profondeur de l'effet.

MOD. DLY: 0,1 – 8,0 ms (Retard de modulation)

Ce paramètre fixe le temps de retard de base entre le son direct initial et le début de l'effet.

12. SYMPHONIC

Cet effet est produit de la même manière que l'effet FLANGE, mais il est plus "lourd", plus profond.

MOD. FRQ: 0,1 – 20,0 Hz (Fréquence de modulation)

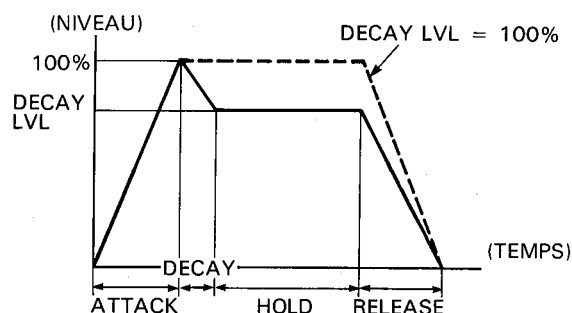
Fixe la vitesse avec laquelle l'effet varie.

MOD. DEPTH: 0 – 100% (Profondeur de modulation)

Fixe la profondeur de l'effet.

14. ADR-NOISE GATE

Ce programme utilise une "porte" pour laisser passer ou arrêter le signal d'entrée de toutes sortes de manières. Il peut être utilisé pour ne laisser passer qu'un segment d'un long signal ou il peut être réglé pour ne laisser passer que les signaux qui atteignent un niveau spécifié. Dans ce cas, ce programme fonctionne comme un "noise gate". Il est également possible de produire des effets de type "reverse gate", pour lesquels le gain augmente progressivement après que l'effet est déclenché.



TRG. LEVEL: 1 – 100 (Niveau de déclenchement)

Détermine le niveau de signal requis pour déclencher l'"ouverture de la porte". Lorsque le paramètre est réglé sur la valeur 100%, seuls les signaux dont le niveau est particulièrement élevé peuvent franchir la porte. Lorsque le paramètre est réglé sur 1%, le moindre signal peut franchir la porte.

TRG. DLY: – 100 – + 100 ms (Retard de déclenchement)

Produit un retard entre le moment où l'ouverture de la porte est déclenchée et celui auquel la porte s'ouvre réellement. Si une valeur négative est programmée, le signal entré est retardé, de sorte que la porte s'ouvre avant que le signal n'apparaisse.

TRG.MSK: 5 – 32.000 ms (Masque de déclenchement)

Ce paramètre permet de redéclencher l'ouverture de la porte jusqu'à ce que le temps programmé se soit écoulé.

ATTACK: 5 – 32.000 ms (Durée de l'attaque)

Détermine le temps nécessaire pour que la porte s'ouvre complètement, à partir du moment où elle commence à s'ouvrir.

DECAY: 5 – 32.000 ms (Durée d'estompement)

Détermine le temps nécessaire pour que l'enveloppe de la porte descende au niveau DECAY LVL, à partir du moment où elle est complètement ouverte.

DECAY LVL: 0–100% (Niveau d'estompement)

Détermine le niveau auquel la porte reste ouverte pendant le temps déterminé par HOLD. Plus la valeur est petite, plus le niveau est bas.

HOLD: 1–30.000 ms (Durée de maintien)

Détermine le temps pendant lequel la porte reste ouverte pour permettre au signal de passer au niveau DECAY LVL, après une première phase d'estompement et avant le début de la phase de relâchement (RELEASE).

RELEASE: 5–32.000 ms (Durée de relâchement)

Détermine le temps nécessaire pour que la porte se referme complètement, après la phase de maintien (HOLD).

MIDI TRG.: OFF, ON (Déclenchement MIDI)

Lorsque ce paramètre est réglé sur ON, un message KEY ON EVENT d'un clavier MIDI externe peut être utilisé pour déclencher l'ouverture de la porte. Un message KEY ON EVENT est transmis chaque fois qu'une note est jouée sur un clavier MIDI.

15. COMPRESSOR

Ce programme de compresseur extrêmement souple permet de créer toute une série d'effets de compresseur/limiteur. Il peut être utilisé pour simplement réduire la plage dynamique d'un signal, pour adoucir le son d'une basse électrique ou pour soutenir le son d'une guitare électrique. Il peut également contribuer à réduire les fluctuations de volume produites lorsque les choristes se rapprochent et s'éloignent des micros ou limiter le niveau du signal afin d'éviter de surcharger le matériel d'amplification ou d'enregistrement.

ATTACK: 1–40 ms (Durée de l'attaque)

Détermine le temps nécessaire pour que la compression complète soit atteinte, après le déclenchement de l'effet (c.-à-d. lorsque le niveau THRESHOLD est dépassé). Un réglage correct du paramètre ATTACK est essentiel pour préserver le son d'attaque initiale naturel de l'instrument utilisé—ou pour modifier ce son d'attaque à souhait.

RELEASE: 10–2.000 ms (Durée de relâchement)

Détermine le temps nécessaire pour que la compression soit relâchée après que le signal d'entrée est descendu en dessous du niveau THRESHOLD. Un réglage correct du paramètre RELEASE est essentiel pour préserver le son de relâchement naturel de l'instrument utilisé. Une durée de relâchement trop courte coupera le son de manière peu naturelle.

THRESHOLD: –48 – –6dB (Niveau de seuil)

Détermine le niveau de signal à partir duquel l'effet de compression commence. Lorsque le paramètre est réglé sur une valeur assez basse (–48 dB) tous les signaux entrés sont compressés. A un niveau plus élevé, seuls les signaux dont le niveau dépasse la valeur fixée pour le paramètre THRESHOLD sont compressés, ce qui produit un effet de limiteur. Le niveau THRESHOLD doit être réglé en fonction du niveau et des caractéristiques de l'instrument utilisé et de l'effet souhaité.

RATIO: 1–20,0 (Taux de compression)

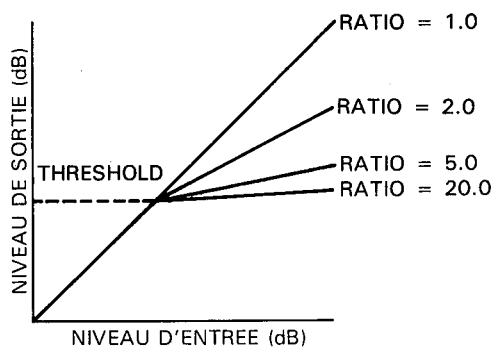
Ce paramètre fixe la "quantité" de compression appliquée au signal entré. Un réglage de 1,0 ne produit aucune compression, tandis qu'un réglage de 20,0 produit une compression maximale.

DET. DLY: –50,0 – +50,0 ms (Retard de détection)

Ce paramètre fixe un retard initial entre le moment auquel le signal entré commence (le moment auquel le niveau THRESHOLD est dépassé) et le moment auquel l'effet de compression commence. Ce retard peut être utilisé pour permettre à l'attaque initiale d'un instrument de passer sans être affectée, tandis que le reste du signal est compressé. Une valeur négative fait apparaître le son compressé avant le son direct de l'instrument.

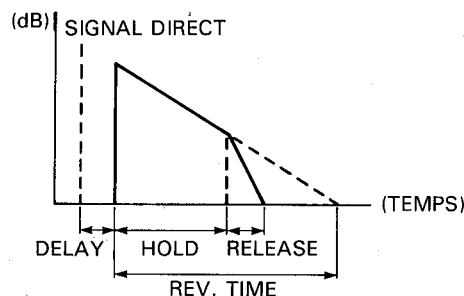
DELAY: 0,1–400,0 ms (Temps de retard)

Détermine le temps de retard entre le son direct et le son compressé.



16. REVERB & GATE

Cet effet combine un programme de réverbération avec un programme de porte et permet de sortir uniquement un segment d'un long son réverbéré.



REV TIME: 0,3–99,0 s (Durée de réverbération)

Le temps nécessaire pour que le niveau de réverbération à 1 kHz diminue de 60 dB.

HIGH: 0,1–1,0 (Rapport de durée de réverbération dans les hautes fréquences)

Ce paramètre permet de modifier la durée de réverbération des hautes fréquences par rapport à la durée de réverbération globale.

DELAY: 0,1–50,0 ms (Retard initial)

Ce paramètre représente le retard entre le son direct d'un instrument et la première des nombreuses réflexions qui forment la réverbération.

HPF: THRU, 32 Hz–1,0 kHz (Filtre passe-haut)

Permet d'éliminer les composantes à basse fréquence du signal réverbéré, en dessous de la fréquence fixée. Le filtre est désactivé lorsque le paramètre est réglé sur THRU.

LPF: 1 kHz–11 kHz, THRU (Filtre passe-bas)

Permet d'éliminer les composantes à haute fréquence du signal réverbéré, au-dessus de la fréquence fixée. Le filtre est désactivé lorsque le paramètre est réglé sur THRU.

TRG. LEVEL: 1–100 (Niveau de déclenchement)

Détermine le niveau de signal requis pour déclencher l'ouverture de la porte. Lorsque le paramètre est réglé sur la valeur 100%, seuls les signaux dont le niveau est particulièrement élevé peuvent franchir la porte. Lorsque le paramètre est réglé sur 1%, le moindre signal peut franchir la porte.

HOLD: 1–30.000 ms (Durée de maintien)

Détermine le temps pendant lequel la porte reste ouverte pour permettre au son réverbéré de passer.

RELEASE: 5–32.000 ms (Durée de relâchement)

Détermine le temps nécessaire pour que la porte se referme complètement, après la phase de maintien (HOLD).

MIDI TRG.: OFF, ON (Déclenchement MIDI)

Lorsque ce paramètre est réglé sur ON, un message KEY ON EVENT d'un clavier MIDI externe peut être utilisé pour déclencher l'ouverture de la porte.

17. PITCH CHANGE A

Ce programme peut modifier la hauteur du signal entré dans une plage de ± 2 octaves. Le signal dont la hauteur a été décalée peut être combiné avec le signal direct (par un réglage approprié du paramètre BALANCE) pour créer des harmonies automatiques.

PITCH: – 12 – + 12 (Décalage de hauteur)

Fixe l'importance du changement de hauteur par pas d'un demi-ton. La valeur +12 correspond à une transposition d'une octave vers le haut et la valeur –12, à une transposition d'une octave vers le bas. Un clavier MIDI externe peut être utilisé pour sélectionner le degré de transposition souhaité.

FINE: – 100 – + 100 (Accord fin)

Permet un réglage extrêmement fin de la hauteur, par pas d'un centième de demi-ton.

DELAY: 0,1–400,0 ms (Temps de retard)

Détermine le retard entre la sortie du son direct (signal entré) et celle du son dont la hauteur a été modifiée.

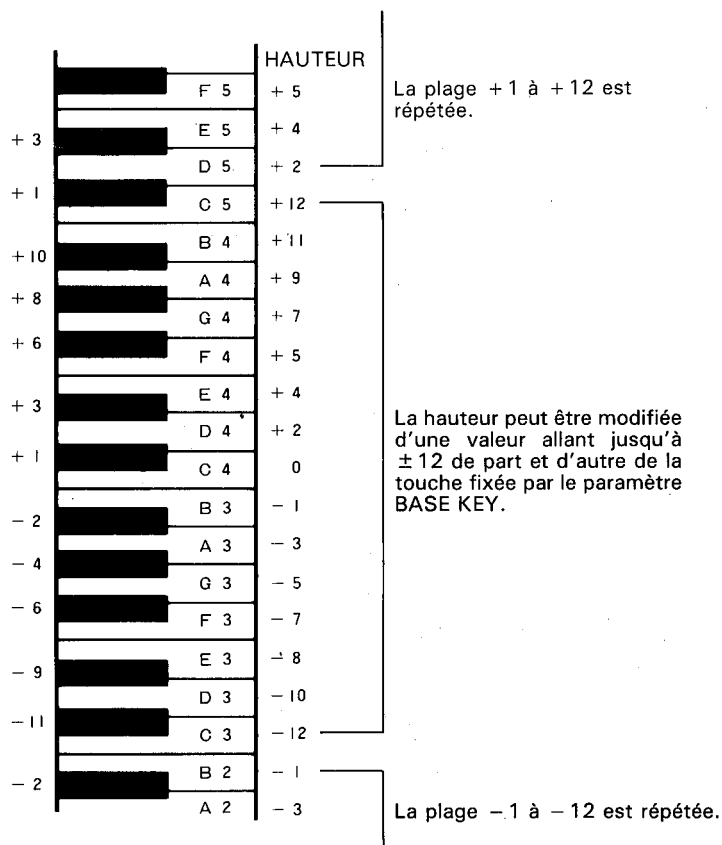
F.B GAIN: 0–99% (Gain de feedback)

Lorsque ce paramètre est réglé sur 0, un seul son à hauteur décalée est produit après l'écoulement du temps fixé par le paramètre DELAY. A mesure que la valeur du paramètre est augmentée, cependant, de plus en plus de répétitions retardées sont produites, chacune étant décalée par rapport à la précédente de la valeur fixée par le paramètre PITCH.

18. PITCH CHANGE B

BASE KEY: OFF, C1–C6 (Touche de base)

Ce paramètre fixe la "touche de base" pour un synthétiseur MIDI externe utilisé pour commander le paramètre PITCH (la borne MIDI OUT du synthétiseur doit être connectée à la borne MIDI IN du REX50 et le REX50 doit être réglé pour recevoir sur le canal MIDI sur lequel le synthétiseur transmet). Si, par exemple, le paramètre BASE KEY est réglé sur C4, une pression sur la touche C3 du synthétiseur (la touche C3 est située une octave plus bas que la touche C4) fixe la valeur du changement de hauteur à -12. Une pression sur la touche D4 du clavier élève la hauteur d'un ton (+2). Une pression sur une touche située à plus d'une octave de distance de la touche de base produit toujours une transposition dans la plage -12 à +12, comme indiqué sur l'illustration ci-dessous. Si le paramètre BASE KEY est réglé sur OFF, la hauteur ne peut pas être contrôlée via la borne MIDI IN.



Le programme PITCH CHANGE B permet de produire une sortie de deux notes à hauteur décalée indépendantes, en plus du signal direct, ce qui donne une harmonie à trois notes pour chaque note entrée. Les deux notes à hauteur décalée apparaissent au centre du panorama stéréo (c'est-à-dire qu'elles sont sorties également par les prises OUTPUT L et R).

1 PITCH: -12 - +12: (Décalage de hauteur première note)

Fixe la hauteur de la première note à hauteur décalée entre une octave en dessous (-12) et une octave au-dessus (+12) de la note entrée.

1 FINE: -100 - +100 (Accord fin première note)

Permet le réglage fin de la première note à hauteur décalée par pas d'un centième de demi-ton.

1 DLY: 0,1-400,0 ms (Temps de retard première note)

Détermine le temps de retard entre l'entrée de la note originale et la sortie de la première note à hauteur décalée.

2 PITCH: -12 - +12: (Décalage de hauteur seconde note)

Fixe la hauteur de la seconde note à hauteur décalée entre une octave en dessous (-12) et une octave au-dessus (+12) de la note entrée.

2 FINE: -100 - +100 (Accord fin seconde note)

Permet le réglage fin de la seconde note à hauteur décalée par pas d'un centième de demi-ton.

2 DLY: 0,1-400,0 ms (Temps de retard seconde note)

Détermine le temps de retard entre l'entrée de la note originale et la sortie de la seconde note à hauteur décalée.

19. PITCH CHANGE C

Comme le programme PITCH CHANGE B, PITCH CHANGE C produit deux notes à hauteur décalée en plus de la note entrée. Dans ce programme, cependant, les deux notes à hauteur décalée sont envoyées indépendamment aux sorties des canaux gauche et droit (le son direct est placé au centre du panorama stéréo), ce qui donne un véritable effet d'harmonie stéréo.

L PITCH: - 12 - + 12 (Décalage de hauteur du canal gauche)

Fixe la hauteur de la note à hauteur décalée sur le canal gauche entre une octave en dessous (- 12) et une octave au-dessus (+ 12) de la note entrée.

L FINE: - 100 - + 100: (Accord fin gauche)

Permet le réglage fin de la note à hauteur décalée du canal gauche par pas d'un centième de demi-ton.

L DLY: 0,1-200,0 ms (Temps de retard gauche)

Détermine le temps de retard entre l'entrée de la note originale et la sortie de la note à hauteur décalée sur le canal gauche.

R PITCH: - 12 - + 12 (Décalage de hauteur du canal droit)

Fixe la hauteur de la note à hauteur décalée sur le canal droit entre une octave en dessous (- 12) et une octave au-dessus (+ 12) de la note entrée.

R FINE: - 100 - + 100: (Accord fin droite)

Permet le réglage fin de la note à hauteur décalée du canal droit par pas d'un centième de demi-ton.

R DLY: 0,1-200,0 ms (Temps de retard droite)

Détermine le temps de retard entre l'entrée de la note originale et la sortie de la note à hauteur décalée sur le canal droit.

20. PAN

Ce programme permet de positionner le son dans le panorama stéréo.

PAN SPEED: 0,1-20,0 Hz (Vitesse de déplacement)

Fixe la vitesse de l'effet PAN, c'est-à-dire la vitesse avec laquelle le signal voyage entre les deux canaux.

DIRECTION: L→R, L←R, L↔R (Direction du déplacement)

Détermine le sens du déplacement du son dans le panorama stéréo.

DEPTH: 0-100% (Profondeur du déplacement)

Fixe le degré de la variation de niveau produite par l'effet PAN. Plus la valeur est élevée, plus l'effet est marqué.

PROGRAMME	CHANGEMENT DE HAUTEUR	FEEDBACK	COMMANDE DE HAUTER MIDI
PITCH CHANGE A	1 SON	OUI	OUI
PITCH CHANGE B	2 SONS (MILIEU)	NON	NON
PITCH CHANGE C	2 SONS (G ET D)	NON	NON

21. DISTORTION

L'effet DISTORTION est capable de produire une gamme extrêmement variée de sons distordus, adaptés à pratiquement tous les styles de guitare. Que vous souhaitiez un léger "overdrive" ou un véritable effet "heavy metal", ce programme vous le fera.

DISTORTION: 0–100% (Distorsion)

Ce paramètre fixe le "degré" de distorsion produit. La valeur 0% produit un son parfaitement net, tandis que la valeur 100% produit le son le plus distordu qu'il soit possible de créer.

MID FRQ.: 560 Hz, 800 Hz, 1,0 kHz, 1,5 kHz, 2,0 kHz (Fréquence centrale de la bande d'égalisation moyenne)

Règle la bande de fréquence moyenne à accentuer ou atténuer au moyen du paramètre suivant: MID GAIN.

MID GAIN: – 12 – + 12 dB (Gain de la bande d'égalisation moyenne)

Accentue ou atténue la réponse dans la bande de fréquences réglée par le paramètre MID FRQ (ci-dessus). La valeur 0 ne produit aucune accentuation ou atténuation. Une valeur négative atténue la réponse de la bande de fréquences fixée et une valeur positive l'accroît.

TREBLE: – 12 – + 12 dB (Accentuation/atténuation des hautes fréquences)

Permet d'accroître ou d'atténuer la réponse des hautes fréquences. Une valeur négative (par exemple, – 6 dB) atténue les composantes à haute fréquence du son tandis qu'une valeur positive (par exemple, + 6 dB) les accentue.

TRG. LEVEL: 1–100 (Niveau de déclenchement)

Détermine le niveau de signal requis pour déclencher l'effet de distorsion. En conjonction avec le paramètre RELEASE ci-dessous, ce paramètre peut faire fonction de "noise gate" et permettre d'éliminer le sifflement et le bruit lorsqu'aucun signal n'est entré. Le paramètre TRG LEVEL doit être réglé de sorte que l'effet ne soit activé que lorsqu'une note est jouée sur l'instrument utilisé.

RELEASE: 5–32.000 ms (Durée de relâchement)

Détermine le temps nécessaire pour que la porte se referme complètement lorsque le signal d'entrée descend en dessous du niveau fixé par le paramètre TRG. LEVEL. Un réglage correct du paramètre RELEASE est essentiel pour obtenir un estompement naturel du son de l'instrument source.

22. DIST. + REV HALL

23. DIST. + REV PLATE

DISTORTION: 0–100% (Niveau de distorsion)

Ce paramètre fixe le "degré" ou la "profondeur" de la portion distordue de l'effet.

REV BAL: 0–100% (Equilibre de la réverbération)

Détermine la quantité de réverbération appliquée au son distordu.

PRE DLY: 0,1–50,0 ms (Retard de la réverbération initiale)

Ce paramètre produit un retard entre l'arrivée du signal entré et le début de l'effet de réverbération.

REV TIME: 0,3–99,0 s (Durée de réverbération)

Le temps nécessaire pour que le niveau de réverbération à 1 kHz descende de 60 dB.

HIGH: 0,1–1,0 (Rapport de durée de réverbération dans les hautes fréquences)

Ce paramètre permet de modifier la durée de réverbération dans les hautes fréquences par rapport à la durée de réverbération globale.

TRG. LEVEL: 1–100 (Niveau de déclenchement)

Détermine le niveau de signal requis pour déclencher l'effet de distorsion. En conjonction avec le paramètre RELEASE ci-dessous, ce paramètre peut faire fonction de "noise gate" et permettre d'éliminer le sifflement et le bruit lorsqu'aucun signal n'est entré. Le paramètre TRG LEVEL doit être réglé de sorte que l'effet ne soit activé que lorsqu'une note est jouée sur l'instrument utilisé.

RELEASE: 5–32.000 ms (Durée de relâchement)

Détermine le temps nécessaire pour que la porte se referme complètement lorsque le signal d'entrée descend en dessous du niveau fixé par le paramètre TRG. LEVEL. Un réglage correct du paramètre RELEASE est essentiel pour obtenir un estompement naturel du son de l'instrument source.

24. DIST. + GATE REV

25. D. + REVERSE GATE

DISTORTION: 0–100% (Niveau de distorsion)

Ce paramètre fixe le "degré" ou la "profondeur" de la portion distordue de l'effet.

E/R BAL: 0–100% (Equilibre E/R)

Détermine la quantité de l'effet "gate reverb" ou "reverse gate" appliquée au son distordu.

TONE: 560 Hz, 800 Hz, 1,0 kHz, 1,5 kHz, 2,0 kHz (Tonalité)

Ce paramètre produit une accentuation tonale dans la bande de fréquences sélectionnée.

TYPE: HALL/RANDOM/REVERSE/PLATE (Motif des premières réflexions)

Le paramètre TYPE permet de choisir l'un des quatre motifs disponibles pour les premières réflexions.

ROOM SIZE: 0,1–20,0 (Dimension du local)

Ce paramètre fixe l'intervalle de temps entre les premières réflexions.

LIVENESS: 0–10 (Vivacité)

Réglez ce paramètre sur 0 pour simuler un local acoustiquement mort et augmentez la valeur pour créer un son de plus en plus "vivant" comme s'il y avait de plus en plus de surfaces réfléchissantes dans le local.

DELAY: 0,1–400,0 ms (Retard)

Le temps de retard entre le son direct de l'instrument et la première des premières réflexions.

TRG. LEVEL: 1–100 (Niveau de déclenchement)

Détermine le niveau de signal requis pour déclencher l'effet. En conjonction avec le paramètre RELEASE ci-dessous, ce paramètre peut faire fonction de "noise gate" et permettre d'éliminer le sifflement et le bruit lorsqu'aucun signal n'est entré. Le paramètre TRG LEVEL doit être réglé de sorte que l'effet ne soit activé que lorsqu'une note est jouée sur l'instrument utilisé.

RELEASE: 5–32.000 ms (Durée de relâchement)

Détermine le temps nécessaire pour que la porte se referme complètement lorsque le signal d'entrée descend en dessous du niveau fixé par le paramètre TRG. LEVEL. Un réglage correct du paramètre RELEASE est essentiel pour obtenir un estompement naturel du son de l'instrument source.

26. DIST. + DELAY

DISTORTION: 0–100% (Niveau de distorsion)

Ce paramètre fixe le "degré" ou la "profondeur" de la portion distordue de l'effet.

DELAY BAL: 0–100% (Equilibre du retard)

Détermine la quantité d'effet de retardement ou d'écho appliquée au son distordu.

Lch DELAY: 0,1–500,0 ms (Retard sur le canal gauche)

Fixe le temps de retard entre le son direct de l'instrument et la première répétition entendue sur le canal gauche.

Lch F.B: –99 – +99% (Gain de feedback sur le canal gauche)

Fixe la quantité du signal retardé sur le canal gauche qui est renvoyée à l'entrée du processeur. Plus la valeur du paramètre est élevée, plus il y a de répétitions retardées produites.

Rch DELAY: 0,1–500,0 ms (Retard sur le canal droit)

Fixe le temps de retard entre le son direct de l'instrument et la première répétition entendue sur le canal droit.

Rch F.B: –99 – +99% (Gain de feedback sur le canal droit)

Fixe la quantité du signal retardé sur le canal droit qui est renvoyée à l'entrée du processeur. Plus la valeur du paramètre est élevée, plus il y a de répétitions retardées produites.

HIGH: 0,1–1,0 (Feedback dans les hautes fréquences)

Commande le feedback dans la plage des hautes fréquences. Le feedback dans les hautes fréquences est réduit lorsque la valeur du paramètre est abaissée.

MID FRQ: 560 Hz, 800 Hz, 1,0 kHz, 1,5 kHz, 2,0 kHz (Fréquence centrale de la bande d'égalisation moyenne)

Règle la bande de fréquence moyenne à accentuer ou atténuer au moyen du paramètre suivant: MID GAIN.

MID GAIN: -12 — +12 dB (Gain de la bande d'égalisation moyenne)

Accentue ou atténue la réponse dans la bande de fréquences réglée par le paramètre MID FRQ (ci-dessus). La valeur 0 ne produit aucune accentuation ou atténuation. Une valeur négative atténue la réponse de la bande de fréquences fixée et une valeur positive l'accentue.

TRG. LEVEL: 1 – 100 (Niveau de déclenchement)

Détermine le niveau de signal requis pour déclencher l'effet. Ce paramètre peut faire fonction de "noise gate" et permettre d'éliminer le sifflement et le bruit lorsqu'aucun signal n'est entré. Le paramètre TRG LEVEL doit être réglé de sorte que l'effet ne soit activé que lorsqu'une note est jouée sur l'instrument utilisé.

27. DIST. + ECHO

DISTORTION: 0 – 100% (Niveau de distorsion)

Ce paramètre fixe le "degré" ou la "profondeur" de la portion distordue de l'effet.

ECHO BAL: 0 – 100% (Equilibre de l'écho)

Détermine la quantité d'effet de retardement ou d'écho appliquée au son distordu.

Lch DELAY: 0,1 – 250,0 ms (Retard sur le canal gauche)

Fixe le temps de retard entre le son direct de l'instrument et la première répétition entendue sur le canal gauche.

Lch F.B: -99 — +99% (Gain de feedback sur le canal gauche)

Fixe la quantité du signal retardé sur le canal gauche qui est renvoyée à l'entrée du processeur. Plus la valeur du paramètre est élevée, plus il y a de répétitions retardées produites.

Rch DELAY: 0,1 – 250,0 ms (Retard sur le canal droit)

Fixe le temps de retard entre le son direct de l'instrument et la première répétition entendue sur le canal droit.

Rch F.B: -99 — +99% (Gain de feedback sur le canal droit)

Fixe la quantité du signal retardé sur le canal droit qui est renvoyée à l'entrée du processeur. Plus la valeur du paramètre est élevée, plus il y a de répétitions retardées produites.

HIGH: 0,1 – 1,0 (Feedback dans les hautes fréquences)

Commande le feedback dans la plage des hautes fréquences. Le feedback dans les hautes fréquences est réduit lorsque la valeur du paramètre est abaissée.

MID FRQ: 560 Hz, 800 Hz, 1,0 kHz, 1,5 kHz, 2,0 kHz (Fréquence centrale de la bande d'égalisation moyenne)

Règle la bande de fréquence moyenne à accentuer ou atténuer au moyen du paramètre suivant: MID GAIN.

MID GAIN: -12 — +12 dB (Gain de la bande d'égalisation moyenne)

Accentue ou atténue la réponse dans la bande de fréquences réglée par le paramètre MID FRQ (ci-dessus). La valeur 0 ne produit aucune accentuation ou atténuation. Une valeur négative atténue la réponse de la bande de fréquences fixée et une valeur positive l'accentue.

TRG. LEVEL: 1 – 100 (Niveau de déclenchement)

Détermine le niveau de signal requis pour déclencher l'effet. Ce paramètre peut faire fonction de "noise gate" et permettre d'éliminer le sifflement et le bruit lorsqu'aucun signal n'est entré. Le paramètre TRG LEVEL doit être réglé de sorte que l'effet ne soit activé que lorsqu'une note est jouée sur l'instrument utilisé.

28. DIST. + FLANGE

DISTORTION: 0 – 100% (Niveau de distorsion)

Ce paramètre fixe le "degré" ou la "profondeur" de la portion distordue de l'effet.

FLANGE BAL: 0 – 100% (Equilibre de l'écho)

Détermine la quantité d'effet "Flange" appliquée au son distordu.

MOD. FRQ: 0,1 – 20,0 Hz (Fréquence de modulation)

Fixe la vitesse de modulation et donc la vitesse avec laquelle l'effet varie.

MOD. DEPTH: 0 – 100% (Profondeur de modulation)

Fixe l'importance de la variation du temps de retard et donc, la profondeur de l'effet.

MOD. DLY: 0,1 – 100,0 ms (Retard de modulation)

Ce paramètre fixe le temps de retard de base entre le son direct initial et le début de l'effet "Flange".

F.B. GAIN: 0 – 99% (Gain de feedback)

Détermine la quantité du signal d'effet qui est renvoyée à l'entrée du processeur pour être à nouveau modulée. Plus de feedback augmente la complexité globale, la "force" et la durée d'estompement de l'effet.

TRG. LEVEL: 1 – 100 (Niveau de déclenchement)

Détermine le niveau de signal requis pour déclencher l'effet. En conjonction avec le paramètre RELEASE ci-dessous, ce paramètre peut faire fonction de "noise gate" et permettre d'éliminer le sifflement et le bruit lorsqu'aucun signal n'est entré. Le paramètre TRG LEVEL doit être réglé de sorte que l'effet ne soit activé que lorsqu'une note est jouée sur l'instrument utilisé.

RELEASE: 5 – 32.000 ms (Durée de relâchement)

Détermine le temps nécessaire pour que la porte se referme complètement lorsque le signal d'entrée descend en dessous du niveau fixé par le paramètre TRG. LEVEL. Un réglage correct du paramètre RELEASE est essentiel pour obtenir un estompement naturel du son de l'instrument source.

29. DIST + CHORUS

DISTORTION: 0 – 100% (Niveau de distorsion)

Ce paramètre fixe le "degré" ou la "profondeur" de la portion distordue de l'effet.

CHORUS BAL: 0 – 100% (Equilibre de l'effet "Chorus")

Détermine la quantité d'effet "Chorus" appliquée au son distordu.

MOD.FRQ: 0,1 – 20,0 Hz: (Fréquence de modulation)

Fixe la vitesse avec laquelle l'effet varie.

DM DEPTH: 0 – 100% (Profondeur de la modulation de retard)

Ce paramètre fixe la profondeur ou "force" de l'effet "Chorus".

AM DEPTH: 0 – 100% (Profondeur de la modulation d'amplitude)

Fixe l'importance de la variation d'amplitude (niveau) du signal entré.

TRG. LEVEL: 1 – 100 (Niveau de déclenchement)

Détermine le niveau de signal requis pour déclencher l'effet. En conjonction avec le paramètre RELEASE ci-dessous, ce paramètre peut faire fonction de "noise gate" et permettre d'éliminer le sifflement et le bruit lorsqu'aucun signal n'est entré. Le paramètre TRG LEVEL doit être réglé de sorte que l'effet ne soit activé que lorsqu'une note est jouée sur l'instrument utilisé.

RELEASE: 5 – 32.000 ms (Durée de relâchement)

Détermine le temps nécessaire pour que la porte se referme complètement lorsque le signal d'entrée descend en dessous du niveau fixé par le paramètre TRG. LEVEL. Un réglage correct du paramètre RELEASE est essentiel pour obtenir un estompement naturel du son de l'instrument source.

30. DIST + SYMPHONIC

DISTORTION: 0 – 100% (Niveau de distorsion)

Ce paramètre fixe le "degré" ou la "profondeur" de la portion distordue de l'effet.

SYMPHO BAL: 0 – 100% (Equilibre de l'effet

"Symphonic")

Détermine la quantité d'effet "Symphonic" appliquée au son distordu.

MOD. FRQ: 0,1 – 20,0 Hz (Fréquence de modulation)

Fixe la vitesse avec laquelle l'effet varie.

MOD. DEPTH: 0 – 100% (Profondeur de modulation)

Fixe la profondeur de l'effet.

TRG. LEVEL: 1 – 100 (Niveau de déclenchement)

Détermine le niveau de signal requis pour déclencher l'effet. En conjonction avec le paramètre RELEASE ci-dessous, ce paramètre peut faire fonction de "noise gate" et permettre d'éliminer le sifflement et le bruit lorsqu'aucun signal n'est entré. Le paramètre TRG LEVEL doit être réglé de sorte que l'effet ne soit activé que lorsqu'une note est jouée sur l'instrument utilisé.

RELEASE: 5 – 32.000 ms (Durée de relâchement)

Détermine le temps nécessaire pour que la porte se referme complètement lorsque le signal d'entrée descend en dessous du niveau fixé par le paramètre TRG. LEVEL. Un réglage correct du paramètre RELEASE est essentiel pour obtenir un estompement naturel du son de l'instrument source.

4: FONCTIONS UTILITAIRES

La touche UTILITY du REX50 donne accès à plusieurs fonctions importantes. Chaque pression sur la touche fait passer à la fonction suivante et le mode UTILITY est abandonné après la dernière fonction.

TITLE EDIT → MIDI CONTROL → MIDI PROG CHANGE → F.SW MEMORY RCL RANGE → abandon du mode UTILITY.

TITLE EDIT

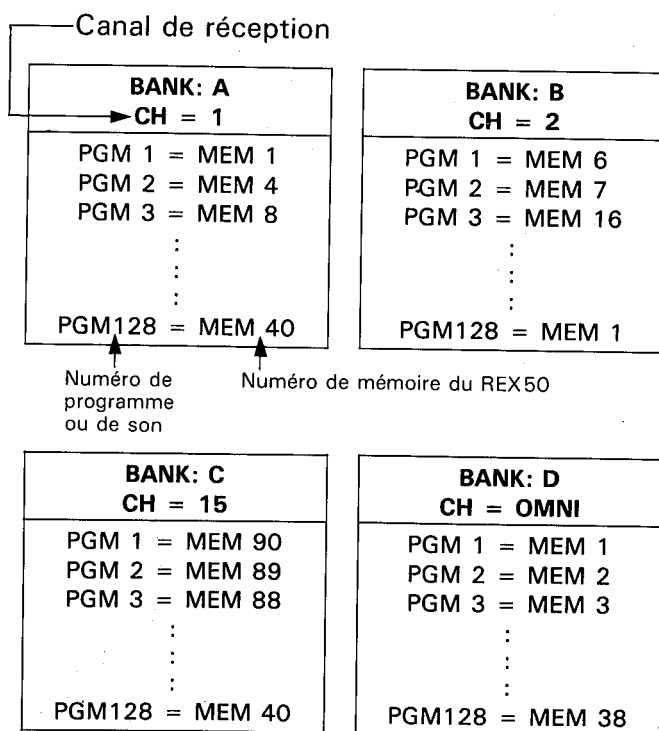
Cette fonction vous permet de donner des noms originaux aux programmes que vous éditez et mémorisez dans les emplacements de mémoires 31 à 90. La fonction TITLE EDIT est la première qui apparaît lors que la touche UTILITY est pressée. Le message "TITLE EDIT" est affiché sur la ligne inférieure du LCD et un curseur ayant la forme d'un trait apparaît à la position du premier caractère, sur la ligne supérieure. Les touches MEMORY et STORE permettent de déplacer le curseur vers l'avant et l'arrière, tandis que les touches Δ et ∇ servent à sélectionner le caractère à placer à la position du curseur. Déplacez le curseur d'une position à la fois et sélectionnez le caractère approprié pour cette position. Les caractères disponibles sont les suivants:

「	」	“	”	—	ア	イ	ウ	エ	オ	カ	ク
ケ	コ	サ	シ	ス	セ	ソ	タ	チ	ツ	テ	ト
ナ	ニ	ヌ	ネ	ノ							
ハ	ヒ	フ	ヘ	ホ	マ	ミ	ム	メ	モ	ヤ	ユ
ヨ	ョ	ラ	リ								
ル	レ	ロ	ワ	ヲ	ン	#	0	1	2	3	4
5	6	7	8	9							
A	B	C	D	E	F	G	H	I	J	K	L
M	N	O	P	Q							
R	S	T	U	V	W	X	Y	Z	a	ä	b
c	d	e	f	g							
h	i	j	k	l	m	n	o	ö	p	q	r
s	t	u	ü	v	w						
x	y	z	[]	<	>	:	.	*	+	-
=	&	/	,	.							
'	%	!	?	→	←						

MIDI BANK & CHANNEL ASSIGNMENT

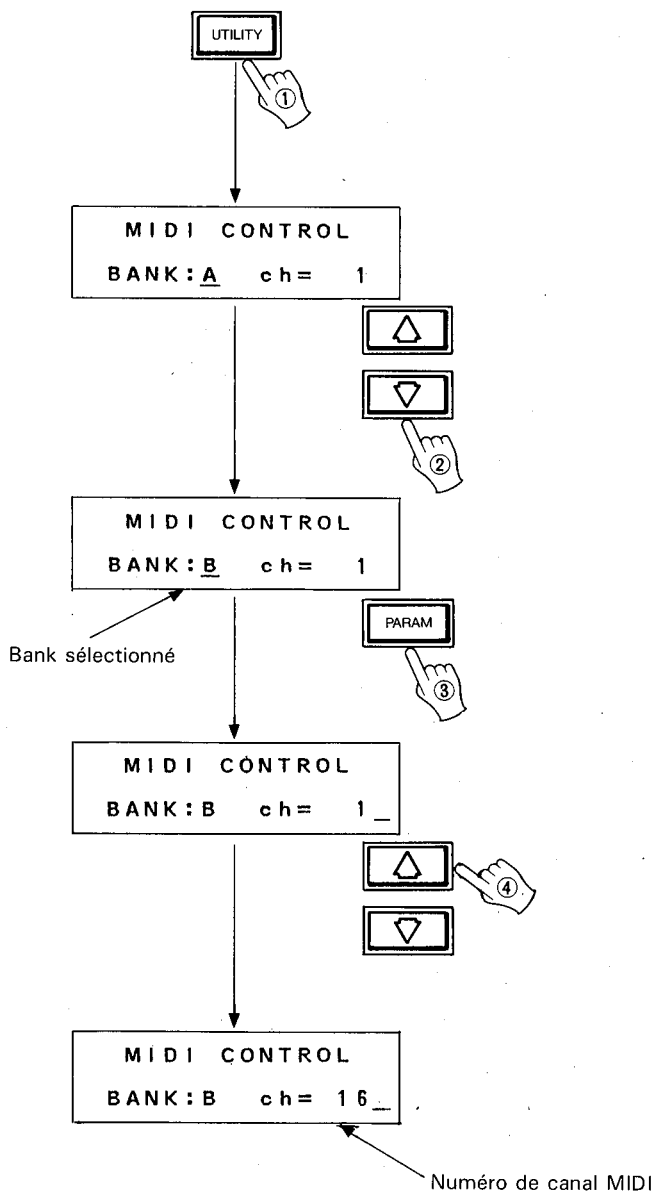
Le REX50 vous permet de sélectionner des programmes spécifiques via MIDI, à partir d'un appareil externe. Vous pouvez, par exemple, régler le REX50 de sorte que, lorsque vous sélectionnez un son sur votre synthétiseur, l'effet le plus approprié pour ce son soit automatiquement sélectionné. Ceci est possible parce que, chaque fois que vous sélectionnez un son sur votre synthétiseur MIDI, il transmet le numéro de changement de programme correspondant. Le REX50, lorsqu'il reçoit ce numéro de changement de programme, sélectionne le programme d'effet que vous avez préalablement assigné à ce numéro de changement de programme au moyen de la fonction MIDI PROG CHANGE décrite ci-dessous. Le REX50 accepte également les messages MIDI KEY ON EVENT (touche activée) pour déclencher les effets de porte. Les numéros de touche activée peuvent également être utilisés pour régler le paramètre PITCH de l'effet PITCH CHANGE A.

Le REX50 peut, en fait, être programmé avec quatre tables d'assignation numéro de changement de programme/numéro d'emplacement de mémoire. Chacune de ces tables est contenue dans un "bank" différent: A, B, C ou D. Chaque BANK peut aussi être programmé pour recevoir sur un canal MIDI différent. Voici un exemple de la manière dont les quatre banks peuvent être programmés avec des assignations numéro de changement de programme MIDI/numéro d'emplacement de mémoire différentes.



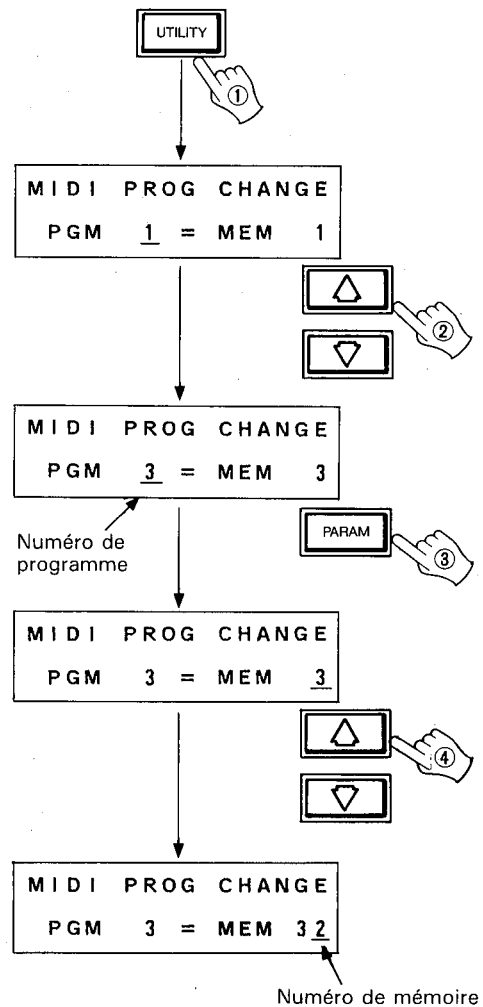
1 Sélection de bank et programmation de canal MIDI

- ① Appuyez sur la touche UTILITY jusqu'à ce que l'affichage de la fonction MIDI CONTROL apparaisse (MIDI CONTROL est la deuxième fonction de la "liste" UTILITY).
- ② Sélectionnez le bank à programmer au moyen des touches Δ et ∇ .
- ③ Appuyez sur la touche PARAM pour amener le curseur sur le paramètre "ch".
- ④ Utilisez les touches Δ et ∇ pour fixer le canal de réception MIDI (1-16), le mode OMNI (tous les canaux peuvent être reçus) ou pour invalider la réception MIDI pour le bank sélectionné.
- ⑤ Appuyez à nouveau sur la touche PARAM pour retourner au paramètre "BANK", si vous souhaitez programmer un bank différent.



2 Assignation d'effets aux numéros de changement de programme

- ① Appuyez sur la touche UTILITY jusqu'à ce que l'affichage de la fonction MIDI PROG CHANGE apparaisse (la fonction MIDI PROG CHANGE est la troisième de la "liste" UTILITY).
- ② Utilisez les touches Δ et ∇ pour sélectionner le numéro de changement de programme auquel un nouvel emplacement de mémoire du REX50 doit être assigné. La plage des numéros de changement de programme disponibles va de 1 à 128.
- ③ Appuyez sur la touche PARAM pour déplacer le curseur sur le paramètre MEM (numéro de mémoire).
- ④ Utilisez les touches Δ et ∇ pour sélectionner le numéro de l'emplacement de mémoire contenant l'effet qui doit être assigné au numéro de changement de programme actuellement sélectionné.
- ⑤ Appuyez à nouveau sur la touche PARAM pour ramener le curseur au paramètre PGM (numéro de programme) afin de sélectionner un nouveau numéro de changement de programme auquel un effet doit être assigné.



FOOT SWITCH MEMORY RECALL RANGE

REMARQUE: Les assignations numéro de programme/ numéro de mémoire effectuées sont mémorisées dans le BANK préalablement sélectionné au moyen de la fonction MIDI CONTROL. Pour programmer des assignations changement de programme/ numéro de mémoire dans un BANK différent, repassez en mode MIDI CONTROL, sélectionnez le BANK souhaité et reprogrammez l'ensemble des assignations.

Le REX50 permet de sélectionner les emplacements de mémoire au moyen d'un commutateur au pied FC4 ou FC5 Yamaha (option) connecté à la prise FOOT SW MEMORY. La quatrième fonction à laquelle on accède via la touche UTILITY—F. SW MEMORY RCL— permet de régler la plage de numéros d'emplacements de mémoire qui pourront être sélectionnés au moyen du commutateur au pied.

F. SW MEMORY RCL
RANGE 31 TO 35

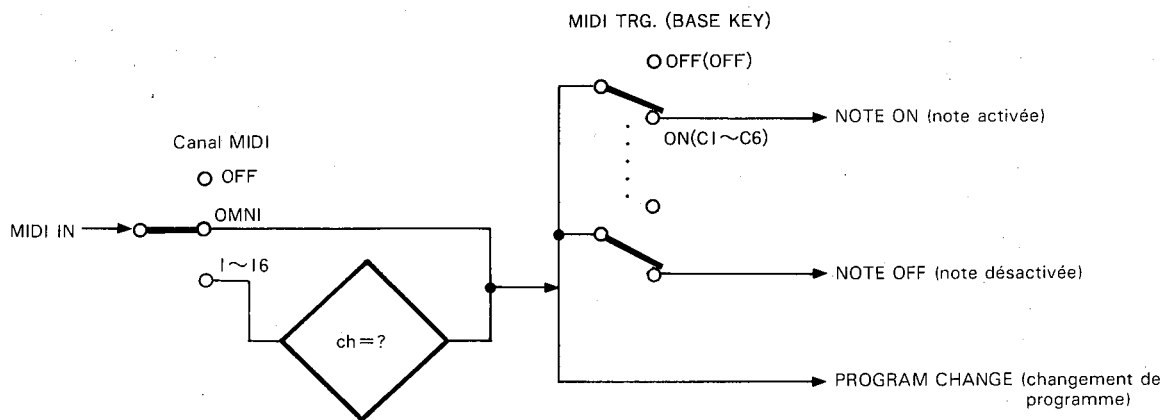
Si, par exemple, le paramètre RANGE est réglé sur "31 TO 35", comme indiqué sur l'illustration ci-dessus, chaque pression sur le commutateur au pied sélectionne l'emplacement de mémoire suivant, dans l'ordre croissant, jusqu'à ce que le dernier numéro de la plage programmée soit atteint. A ce moment, une nouvelle pression sur le commutateur au pied re-sélectionne le premier numéro de la plage programmée, et ainsi de suite. Il est possible de sélectionner les numéros dans l'ordre décroissant en spécifiant le numéro le plus élevé en premier lieu, comme sur l'illustration ci-dessous.

F. SW MEMORY RCL
RANGE 35 TO 31

Dans ce cas, la séquence de sélection est 35 → 34 → 33 → 32 → 31 → 35, etc.

5: FORMAT DES DONNEES MIDI

1. Conditions de réception



2. Données de réception

2-1. Informations canal

1) Message son canal

① NOTE ON (note activée)

Peut être reçu sur le canal MIDI fixé dans le bank actuellement activé.

Dans le cas de l'effet 14 (ADR-NOISE GATE) et de l'effet 16 (REVERB & GATE), si le paramètre MIDI TRG est ON, un message NOTE ON reçu déclenche l'effet.

Si l'effet 17 (PITCH CHANGE A) est sélectionné, les données NOTE ON reçues sont utilisées pour fixer le décalage de hauteur de l'effet. Toutefois, les données NOTE ON sont ignorées si le paramètre BASE KEY est réglé sur OFF.

STATUT 1001nnnn (9nH) n=0 (canal n° 1)–15
(canal n° 16)

N° DE NOTE 0kkkkkkk k=0 (C-2)–127 (G8)

VELOCITE 0vvvvvvv v=0–127

② NOTE OFF (note désactivée)

Bien que ce message n'ait aucune influence directe sur le REX50, il est essentiel pour marquer la fin d'un message NOTE ON. Les conditions pour la réception des messages NOTE OFF sont les mêmes que pour la réception des messages NOTE ON, ci-dessus.

STATUT 1000nnnn (8nH) n=0 (canal n° 1)–15
(canal n° 16)

N° DE NOTE 0kkkkkkk k=0 (C-2)–127 (G8)

VELOCITE 0vvvvvvv v=0–127

③ PROGRAM CHANGE (changement de programme)

Peut être reçu sur le canal MIDI fixé dans le bank activé.

L'effet assigné au numéro de programme reçu dans la table d'assignation des programmes est sélectionné.

STATUT 1100nnnn (CnH) n=0 (canal n° 1)–15
(canal n° 16)

N° DE PROGRAMME 0ppppppp p=0 (C-2)–127 (G8)

Function ...	Recognized	Remarks
Basic Default	1 - 16	memorized
Channel Changed	1 - 16	
Mode Default	OMNI OFF/OMNI ON	memorized
Mode Messages	x	
Mode Altered	x	
Note Number : True voice	o 0 - 127 x	X1
Velocity Note ON	x	
Velocity Note OFF	x	
After Touch Key's	x	
After Touch Ch's	x	
Pitch Bender	x	
Control Change	x	
Prog Change : True #	o 0 - 127 x	X2
System Exclusive	x	
System : Song Pos	x	
System : Song Sel	x	
Common : Tune	x	
System : Clock	x	
Real Time : Commands	x	
Aux : Local ON/OFF	x	
Aux : All Notes OFF	x	
Mes- : Active Sense	x	
sages:Reset	x	
Notes	X1 Note ON/OFF is recognized only for pitch change. X2 For program 1 - 128, memory #1 - #90 is selected.	

Mode 1 : OMNI ON, POLY Mode 2 : OMNI ON, MONO o : Yes
 Mode 3 : OMNI OFF, POLY Mode 4 : OMNI OFF, MONO x : No

6: CARACTERISTIQUES TECHNIQUES

CARACTERISTIQUES ELECTRIQUES

Réponse en fréquence
(Effet) 20 Hz—12 kHz
Plage dynamique: Effet: 74 dB
Direct: 80 dB
Distorsion: 0,1% max. @ 1 kHz

ENTREE

Nombre de canaux: Asymétriques (2)
(Prises "jack")
Niveau nominal: -10 dBm
Impédance: < 500 kΩ
Commande de niveau: rotative, continue
Indicateur de niveau: 3 segments à DEL

Conversion A/N, N/A

Nombre de canaux: 1
Fréquence
d'échantillonnage: 31,25 kHz
Quantification: 16 bits

SORTIE

Nombre de canaux: Asymétriques (2)
(Prises "jack")
Niveau nominal: -10 dBm
Impédance: > 10 kΩ
Mixage: Effet seul ou effet
+ signal direct

MEMOIRES

ROM (pré-réglées) 1—30
RAM (programmables) 31—90 (avec alimentation
de réserve)

COMMANDES MIDI

Sélection des mémoires
(1—90) par numéro de
changement de programme
MIDI.
Déclenchement des
programmes 14 et 16.
Sélection de la touche de
base du programme 17.

PANNEAU AVANT

Touches: MEMORY, PARAM,
INCREMENT, DECREMENT,
STORE, RECALL, UTILITY,
BYPASS
Affichage: LCD de 2 lignes de 16
caractères
2 chiffres de 7 segments à
DEL

PANNEAU ARRIERE

Commande: LEVEL
Prises FOOTSWITCH BYPASS, MEMORY
Prises INPUT/OUTPUT Prises "jack" monaurales
de 1/4"
Bornes MIDI: IN
Commutateur STEREO
MIX: ON/OFF

CARACTERISTIQUES GENERALES

Alimentation: Etats-Unis et Canada:
120V secteur, 15 W
Modèle général:
220—240V secteur, 15 W
Encombrement: 274 × 44 × 196,2 mm
(10-3/4" × 1-3/4" × 7-3/4")
Poids: 1,7 kg (3 lbs, 12 oz.)

* 0 dB = 0,775 V r.m.s

* Ces caractéristiques techniques sont susceptibles d'être modifiées
sans préavis.

7: CONTENU DE LA ROM ET PARAMETRES PROGRAMMABLES

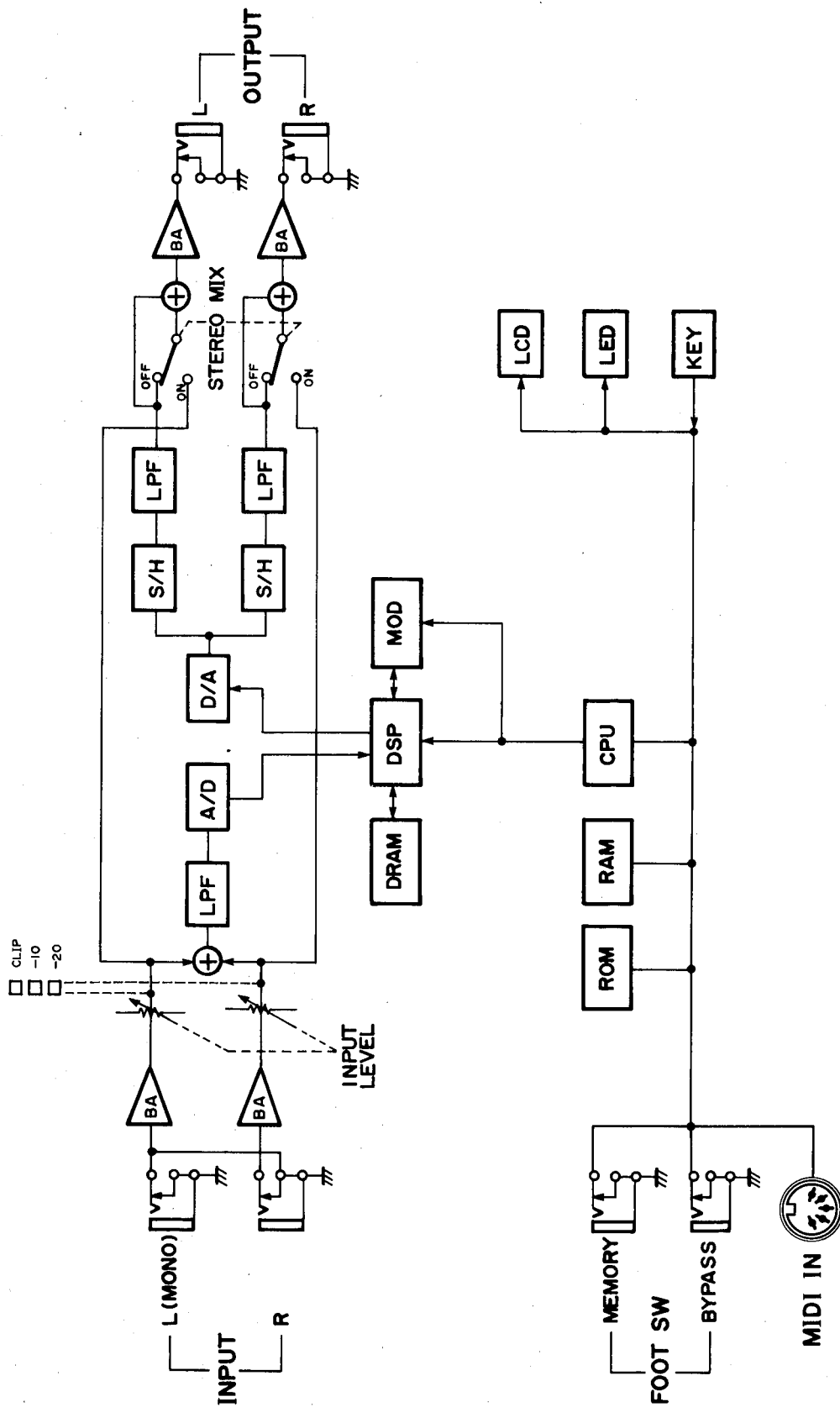
N° MEM.	NOM DE PROGRAMME	PARAMETRES					
		1	2	3	4	5	6
1	REV 1 HALL	REV TIME	HIGH	DELAY	HPF	LPF	BALANCE
		0.3-99.0s	0.1-1.0	0.1-50.0ms	THRU, 32Hz-1.0kHz	1.0-11kHz, THRU	0-100%
2	REV 2 ROOM	2.6s	0.6	30.0ms	THRU	8.0kHz	100%
		REV TIME	HIGH	DELAY	HPF	LPF	BALANCE
3	REV 3 VOCAL	0.3-99.0s	0.1-1.0	0.1-50.0ms	THRU, 32Hz-1.0kHz	1.0-11kHz, THRU	0-100%
		1.5s	0.7	20.0ms	THRU	8.0kHz	100%
4	REV 4 PLATE	REV TIME	HIGH	DELAY	HPF	LPF	BALANCE
		0.3-99.0s	0.1-1.0	0.1-50.0ms	THRU, 32Hz-1.0kHz	1.0-11kHz, THRU	0-100%
5	EARLY REF. 1	2.4s	0.5	45.0ms	80Hz	8.0kHz	100%
		REV TIME	HIGH	DELAY	HPF	LPF	BALANCE
6	GATE REVERB	0.3-99.0s	0.1-1.0	0.1-50.0ms	THRU, 32Hz-1.0kHz	1.0-11kHz, THRU	0-100%
		1.8s	0.7	10.0ms	40Hz	10kHz	100%
7	DELAY L, R	TYPE	ROOM SIZE	LIVENESS	DELAY	LPF	BALANCE
		HALL, RANDOM REVERSE, PLATE	0.1-20.0	0-10	0.1-400.0ms	1.0-11kHz, THRU	0-100%
8	STEREO ECHO	HALL	2.0	5	10.0ms	THRU	100%
		TYPE	ROOM SIZE	LIVENESS	DELAY	LPF	BALANCE
9	STEREO FLANGE	HALL, RANDOM REVERSE, PLATE	0.1-20.0	0-10	0.1-400.0ms	1.0-11kHz, THRU	0-100%
		RANDOM	2.0	5	20.0ms	6.3kHz	100%
10	CHORUS	Lch DLY	Lch F.B	Rch DLY	Rch F.B	HIGH	BALANCE
		0.1-500.0ms	-99-+99%	0.1-500.0ms	-99-+99%	0.1-1.0	0-100%
11	STEREO PHASING	100.0ms	+0%	200.0ms	+0%	1.0	100%
		Lch DLY	Lch F.B	Rch DLY	Rch F.B	HIGH	BALANCE
12	SYMPHONIC	0.1-250.0ms	-99-+99%	0.1-250.0ms	-99-+99%	0.1-1.0	0-100%
		170.0ms	+60%	178.0ms	+58%	0.9	100%
13	REVERSE GATE	MOD. FRQ	MOD. DEPTH	MOD. DLY	F.B. GAIN	BALANCE	OUT LVL
		0.1-20.0Hz	0-100%	0.1-100.0ms	0-99%	0-100%	0-100%
14	ADR-NOISE GATE	2.5Hz	50%	1.2ms	35%	100%	100%
		MOD. FRQ	DM DEPTH	AM DEPTH	BALANCE	OUT LVL	
15	COMPRESSOR	0.1-20.0Hz	0-100%	0-100%	0-100%	0-100%	
		0.2Hz	50%	40%	100%	100%	
16	REVERB & GATE	MOD. FRQ	MOD. DEPTH	MOD. DLY	BALANCE	OUT LVL	
		0.1-20.0Hz	0-100%	0.1-8.0ms	0-100%	0-100%	
17	PITCH CHANGE A	1.1kHz	100%	3.0ms	100%	100%	
		MOD. FRQ	MOD. DEPTH	BALANCE	OUT LVL		
18	PITCH CHANGE B	0.1-20.0Hz	0-100%	0-100%	0-100%		
		0.7Hz	50%	100%	100%		
19	PITCH CHANGE C	TYPE	ROOM SIZE	LIVENESS	DELAY	LPF	BALANCE
		HALL, RANDOM REVERSE, PLATE	0.1-20.0	0-10	0.1-400.0ms	1.0-11kHz, THRU	0-100%
20	PAN	REVERSE	3.3	5	25.0ms	THRU	100%
		TRG. LEVEL	TRG. DLY	TRG. MSK	ATTACK	DECAY	DECAY LVL
21	DISTORTION	1-100	-100-+100ms	5-3200ms	5-3200ms	5-3200ms	0-100%
		65	-7ms	5ms	5ms	5ms	100%
22	DIST. + REV HALL	ATTACK	RELEASE	THRESHOLD	RATIO	DET. DLY	DELAY
		1-40ms	10-2000ms	-48-+6dB	1.0-20.0	-50.0-+50.0ms	0.1-400.0ms
23	DIST. + REV PLATE	19ms	200ms	-24dB	7.0	+0.0ms	0.1ms
		REV TIME	HIGH	DELAY	HPF	LPF	TRG. LEVEL
24	DIST. + GATE REV	0.3-99.0s	0.1-1.0	0.1-50.0ms	THRU, 32Hz-1.0kHz	1.0-11kHz, THRU	1-100
		2.0s	0.6	10.0ms	THRU	THRU	65
25	DIST. + REVERSE GATE	PITCH	FINE	DELAY	F.B. GAIN	BASE KEY	BALANCE
		-12-+12	-100-+100	0.1-400.0ms	0-99%	OFF, C1-C6	0-100%
26	DIST. + DELAY	+0	+0	0.1ms	0%	C3	100%
		1 PITCH	1 FINE	1 DLY	2 PITCH	2 FINE	2 DLY
27	DIST. + ECHO	-12-+12	-100-+100	0.1-400.0ms	-12-+12	-100-+100	0.1-400.0ms
		+0	+8	0.1ms	+0	-8	20.0ms
28	DIST. + FLANGE	L PITCH	L FINE	L DLY	R PITCH	R FINE	R DLY
		-12-+12	-100-+100	0.1-200.0ms	-12-+12	-100-+100	0.1-200.0ms
29	DIST. + CHORUS	+0	+8	0.1ms	+0	-8	0.1ms
		PAN SPEED	DIRECTION	DEPTH	BALANCE	OUT LVL	
30	DIST. + SYMPHONIC	0.1-20.0Hz	L-R, L+R, L-R	0-100%	0-100%	0-100%	
		0.7Hz	L-R	75%	100%	100%	
31	DISTORTION	DISTORTION	MID FRQ.	MID GAIN	TREBLE	TRG. LEVEL	RELEASE
		0-100%	560Hz-2.0kHz	-12-+12dB	-12-+12dB	1-100	5-3200ms
32	DIST. + REV HALL	100%	2.0kHz	+0dB	+6dB	35	105ms
		DISTORTION	REV BAL	PRE DLY	REV TIME	HIGH	TRG. LEVEL
33	DIST. + REV PLATE	0-100%	0-100%	0.1-50.0ms	0.3-99.0s	0.1-1.0	1-100
		75%	15%	30.0ms	2.6s	0.5	35
34	DIST. + GATE REV	DISTORTION	REV BAL	PRE DLY	REV TIME	HIGH	TRG. LEVEL
		0-100%	0-100%	0.1-50.0ms	0.3-99.0s	0.1-1.0	1-100
35	DIST. + REVERSE GATE	60%	10%	30.0ms	2.6s	0.5	35
		DISTORTION	E/R BAL	TYPE	ROOM SIZE	LIVENESS	
36	DIST. + DELAY	100%	35%	560Hz-2.0kHz	HALL, RANDOM REVERSE, PLATE	0.1-20.0	0-10
		DISTORTION	E/R BAL	TYPE	ROOM SIZE	LIVENESS	
37	DIST. + ECHO	0-100%	0-100%	560Hz-2.0kHz	HALL, RANDOM REVERSE, PLATE	0.1-20.0	0-10
		100%	50%	560Hz	REVERSE	3.3	5
38	DIST. + FLANGE	DISTORTION	DELAY BAL	Lch DLY	Lch F.B	Rch DLY	Rch F.B
		0-100%	0-100%	0.1-500.0ms	-99-+99%	0.1-500.0ms	-99-+99%
39	DIST. + CHORUS	100%	15%	500.0ms	+12%	+250.0ms	+12%
		DISTORTION	ECHO BAL	Lch DLY	Lch F.B	Rch DLY	Rch F.B
40	DIST. + SYMPHONIC	0-100%	0-100%	0.1-250.0ms	-99-+99%	0.1-250.0ms	-99-+99%
		60%	25%	200.0ms	+20%	225.0ms	+20%
41	DIST. + FLANGE	DISTORTION	FLANGE BAL	MOD. FRQ.	MOD. DEPTH	MOD. DLY	F.B. GAIN
		0-100%	0-100%	0.1-20.0Hz	0-100%	0.1-100.0ms	0-99%
42	DIST. + CHORUS	80%	100%	0.6Hz	30%	10.0ms	25%
		DISTORTION	CHORUS BAL	MOD. FRQ.	DM DEPTH	AM DEPTH	TRG. LEVEL
43	DIST. + DELAY	0-100%	0-100%	0.1-20.0Hz	0-100%	0-100%	1-100
		90%	100%	0.8Hz	25%	60%	35
44	DIST. + REVERSE GATE	DISTORTION	SYMPHO BAL	MOD. FRQ.	MOD. DEPTH	TRG. LEVEL	RELEASE
		0-100%	0-100%	0.1-20.0ms	0-100%	1-100	5-3200ms
45	DIST. + SYMPHONIC	80%	50%	0.7Hz	20%	35	105ms

REMARQUE

PARAMETRE
PLAGE
VALEUR PRE-REGLEE

7	8	9	10	11	12
OUT LVL	/	/	/	/	/
0-100%	/	/	/	/	/
100%	/	/	/	/	/
OUT LVL	/	/	/	/	/
0-100%	/	/	/	/	/
100%	/	/	/	/	/
OUT LVL	/	/	/	/	/
0-100%	/	/	/	/	/
100%	/	/	/	/	/
OUT LVL	/	/	/	/	/
0-100%	/	/	/	/	/
100%	/	/	/	/	/
OUT LVL	/	/	/	/	/
0-100%	/	/	/	/	/
100%	/	/	/	/	/
OUT LVL	/	/	/	/	/
0-100%	/	/	/	/	/
100%	/	/	/	/	/
OUT LVL	/	/	/	/	/
0-100%	/	/	/	/	/
100%	/	/	/	/	/
OUT LVL	/	/	/	/	/
0-100%	/	/	/	/	/
100%	/	/	/	/	/
OUT LVL	/	/	/	/	/
0-100%	/	/	/	/	/
100%	/	/	/	/	/
OUT LVL	/	/	/	/	/
0-100%	/	/	/	/	/
100%	/	/	/	/	/
OUT LVL	/	/	/	/	/
0-100%	/	/	/	/	/
100%	/	/	/	/	/
OUT LVL	/	/	/	/	/
0-100%	/	/	/	/	/
100%	/	/	/	/	/
OUT LVL	/	/	/	/	/
0-100%	/	/	/	/	/
100%	/	/	/	/	/
OUT LVL	/	/	/	/	/
0-100%	/	/	/	/	/
100%	/	/	/	/	/
OUT LVL	/	/	/	/	/
0-100%	/	/	/	/	/
100%	/	/	/	/	/
OUT LVL	/	/	/	/	/
0-100%	/	/	/	/	/
100%	/	/	/	/	/
HOLD	RELEASE	MIDI TRG.	BALANCE	OUT LVL	/
1-3000ms	5-3200ms	ON, OFF	0-100%	0-100%	/
90ms	5ms	OFF	100%	100%	/
BALANCE	OUT LVL	/	/	/	/
0-100%	0-100%	/	/	/	/
100%	100%	/	/	/	/
HOLD	RELEASE	MIDI TRG.	BALANCE	OUT LVL	/
1-3000ms	5-3200ms	ON, OFF	0-100%	0-100%	/
150ms	5ms	OFF	100%	100%	/
OUT LVL	/	/	/	/	/
0-100%	/	/	/	/	/
100%	/	/	/	/	/
BALANCE	OUT LVL	/	/	/	/
0-100%	0-100%	/	/	/	/
100%	100%	/	/	/	/
BALANCE	OUT LVL	/	/	/	/
0-100%	0-100%	/	/	/	/
100%	100%	/	/	/	/
BALANCE	OUT LVL	/	/	/	/
0-100%	0-100%	/	/	/	/
100%	100%	/	/	/	/
BALANCE	OUT LVL	/	/	/	/
0-100%	0-100%	/	/	/	/
100%	100%	/	/	/	/
BALANCE	OUT LVL	/	/	/	/
0-100%	0-100%	/	/	/	/
100%	100%	/	/	/	/
BALANCE	OUT LVL	/	/	/	/
0-100%	0-100%	/	/	/	/
100%	100%	/	/	/	/
RELEASE	BALANCE	OUT LVL	/	/	/
5-3200ms	0-100%	0-100%	/	/	/
105ms	100%	100%	/	/	/
RELEASE	BALANCE	OUT LVL	/	/	/
5-3200ms	0-100%	0-100%	/	/	/
105ms	100%	100%	/	/	/
DELAY	TRG. LEVEL	RELEASE	BALANCE	OUT LVL	/
0.1-400ms	1-100	5-3200ms	0-100%	0-100%	/
80.0ms	35	105ms	100%	100%	/
DELAY	TRG. LEVEL	RELEASE	BALANCE	OUT LVL	/
0.1-400ms	1-100	5-3200ms	0-100%	0-100%	/
9.0ms	35	105ms	100%	100%	/
HIGH	MID FRQ.	MID GAIN	TRG. LEVEL	BALANCE	OUT LVL
0.1-1.0	560Hz-2.0kHz	-12dB - +12dB	1-100	0-100%	0-100%
1.0	560Hz	+0dB	35	100%	100%
HIGH	MID FRQ.	MID GAIN	TRG. LEVEL	BALANCE	OUT LVL
0.1-1.0	560Hz-2.0kHz	12dB - +12dB	1-100	0-100%	0-100%
0.9	800Hz	+0dB	35	100%	100%
TRG. LEVEL	RELEASE	BALANCE	OUT LVL	/	/
1-100	5-3200ms	0-100%	0-100%	/	/
35	105ms	100%	100%	/	/
RELEASE	BALANCE	OUT LVL	/	/	/
5-3200ms	0-100%	0-100%	/	/	/
105ms	100%	100%	/	/	/
BALANCE	OUT LVL	/	/	/	/
0-100%	0-100%	/	/	/	/
100%	100%	/	/	/	/

8: SCHEMA DE PRINCIPE



9: TABLEAU VIERGE

YAMAHA REX50 TABLEAU DE PROGRAMMATION DE L'UTILISATEUR

Date: _____

Programmeur: _____

N° de mémoire	Nom du programme	N° de mémoire	Nom du programme	N° de mémoire	Nom du programme
31		51		71	
32		52		72	
33		53		73	
34		54		74	
35		55		75	
36		56		76	
37		57		77	
38		58		78	
39		59		79	
40		60		80	
41		61		81	
42		62		82	
43		63		83	
44		64		84	
45		65		85	
46		66		86	
47		67		87	
48		68		88	
49		69		89	
50		70		90	

YAMAHA REX50 TABLEAU DE PROGRAMMATION DE L'UTILISATEUR

N° de mémoire: _____

Date: _____

Nom du programme: _____

Programmeur: _____

Nom du paramètre	Nouvelle valeur	Nom du paramètre	Nouvelle valeur

Remarque _____

N° de mémoire: _____

Date: _____

Nom du programme: _____

Programmeur: _____

Nom du paramètre	Nouvelle valeur	Nom du paramètre	Nouvelle valeur

Remarque _____

YAMAHA REX50

NUMERO DE CHANGEMENT DE PROGRAMME & NUMERO DE MEMOIRE

Date: _____

Programmeur: _____

PGM 1	MEM	PGM 44	MEM	PGM 87	MEM
PGM 2	MEM	PGM 45	MEM	PGM 88	MEM
PGM 3	MEM	PGM 46	MEM	PGM 89	MEM
PGM 4	MEM	PGM 47	MEM	PGM 90	MEM
PGM 5	MEM	PGM 48	MEM	PGM 91	MEM
PGM 6	MEM	PGM 49	MEM	PGM 92	MEM
PGM 7	MEM	PGM 50	MEM	PGM 93	MEM
PGM 8	MEM	PGM 51	MEM	PGM 94	MEM
PGM 9	MEM	PGM 52	MEM	PGM 95	MEM
PGM 10	MEM	PGM 53	MEM	PGM 96	MEM
PGM 11	MEM	PGM 54	MEM	PGM 97	MEM
PGM 12	MEM	PGM 55	MEM	PGM 98	MEM
PGM 13	MEM	PGM 56	MEM	PGM 99	MEM
PGM 14	MEM	PGM 57	MEM	PGM 100	MEM
PGM 15	MEM	PGM 58	MEM	PGM 101	MEM
PGM 16	MEM	PGM 59	MEM	PGM 102	MEM
PGM 17	MEM	PGM 60	MEM	PGM 103	MEM
PGM 18	MEM	PGM 61	MEM	PGM 104	MEM
PGM 19	MEM	PGM 62	MEM	PGM 105	MEM
PGM 20	MEM	PGM 63	MEM	PGM 106	MEM
PGM 21	MEM	PGM 64	MEM	PGM 107	MEM
PGM 22	MEM	PGM 65	MEM	PGM 108	MEM
PGM 23	MEM	PGM 66	MEM	PGM 109	MEM
PGM 24	MEM	PGM 67	MEM	PGM 110	MEM
PGM 25	MEM	PGM 68	MEM	PGM 111	MEM
PGM 26	MEM	PGM 69	MEM	PGM 112	MEM
PGM 27	MEM	PGM 70	MEM	PGM 113	MEM
PGM 28	MEM	PGM 71	MEM	PGM 114	MEM
PGM 29	MEM	PGM 72	MEM	PGM 115	MEM
PGM 30	MEM	PGM 73	MEM	PGM 116	MEM
PGM 31	MEM	PGM 74	MEM	PGM 117	MEM
PGM 32	MEM	PGM 75	MEM	PGM 118	MEM
PGM 33	MEM	PGM 76	MEM	PGM 119	MEM
PGM 34	MEM	PGM 77	MEM	PGM 120	MEM
PGM 35	MEM	PGM 78	MEM	PGM 121	MEM
PGM 36	MEM	PGM 79	MEM	PGM 122	MEM
PGM 37	MEM	PGM 80	MEM	PGM 123	MEM
PGM 38	MEM	PGM 81	MEM	PGM 124	MEM
PGM 39	MEM	PGM 82	MEM	PGM 125	MEM
PGM 40	MEM	PGM 83	MEM	PGM 126	MEM
PGM 41	MEM	PGM 84	MEM	PGM 127	MEM
PGM 42	MEM	PGM 85	MEM	PGM 128	MEM
PGM 43	MEM	PGM 86	MEM		

SERVICE APRES-VENTE

Cet appareil est couvert pas le réseau mondial de service après-vente YAMAHA. En cas de problème, contactez le distributeur YAMAHA le plus proche.

Digitales Multi-Effektgerät
REX50

Bedienungsanleitung

Als erstes möchten wir uns bei Ihnen dafür bedanken, daß Sie sich für das Digitale Multi-Effektgerät REX50 entschieden haben. Wie seine Name besagt, ist das REX50 ein vielseitiges Effektgerät, das deshalb auch in allen Bereichen der Musikszene eingesetzt werden kann. Zu den 30 Effekten, die es enthält, zählen digitales Reverb (Nachhall), Gated Reverb (Gate-Nachhall), Echo, Flanging, Phasing und gleich eine ganze Reihe von Distortion (Verzerrungs-) Effekten. Die Distortion-Effekte werden mit Phasing, Flanging, Reverb usw. kombiniert und klingen dementsprechend gut. Das wären also die Festspeicher. Der Benutzer — d.h. Sie — bekommt 60 Mal die Möglichkeit, seine Edits im User-Speicher abzulegen. Daß die Speicher über MIDI angewählt werden können, versteht sich mittlerweile wohl schon von selbst.

In dieser Bedienungsanleitung finden Sie ein paar nützliche Hinweise, die Ihnen das Programmieren und die Bedienung erleichtern.

— INHALTSÜBERSICHT —

EIN PAAR TIPS	79	22. DIST. + REV HALL	96
1: STEUERELEMENTE UND ANSCHLÜSSE ...	80	23. DIST. + REV PLATE	96
DIE STEUERELEMENTE	80	24. DIST. + GATE REV	97
DIE ANSCHLÜSSE	81	25. D. + REVERSE GATE	97
2: EINSATZ	83	26. DIST. + DELAY	97
DIE SPEICHERANORDNUNG	83	27. DIST. + ECHO	98
ANWÄHLEN EINES EFFEKTS/DER SPEICHER ...	83	28. DIST. + FLANGE	99
DIE BYPASS-FUNKTION	83	29. DIST. + CHORUS	99
ANWÄHLEN UND EDITIEREN DER PARAMETER EINES EFFEKTS	84	30. DIST. + SYMPHONIC	100
ABSPEICHERN DER EFFEKTE	85	4: DIE UTILITY-TASTE	101
3: BESCHREIBUNG DER WERKSPROGRAMME UND IHRER PARAMETER	86	TITLE EDIT	101
DIE BALANCE UND DER OUTPUT LEVEL	86	MIDI BANK & KANAL-ZUTEILUNG	101
1. REV 1 HALL	86	F.SW MEMORY RECALL RANGE	103
2. REV 2 ROOM	86	5: DAS MIDI-DATENFORMAT	104
3. REV 3 VOCAL	86	6: TECHNISCHE DATEN	106
4. REV 4 PLATE	86	7: ROM-INHALT UND REGELBARE PARAMETER	107
5. EARLY REF. 1	87	8: BLOCKSCHALTBILD	109
6. GATE REVERB	87	9: SPEICHERÜBERSICHT	110
7. DELAY L&R	89		
8. STEREO ECHO	89		
9. STEREO FLANGE	90		
10. CHORUS	90		
11. STEREO PHASING	90		
12. SYMPHONIC	91		
13. REVERSE GATE	87		
14. ADR-NOISE GATE	91		
15. COMPRESSOR	92		
16. REVERB & GATE	93		
17. PITCH CHANGE A	93		
18. PITCH CHANGE B	94		
19. PITCH CHANGE C	95		
20. PAN	95		
21. DISTORTION	96		

EIN PAAR TIPS

1. AUFSTELLUNG

Daheim und im Studio sind sonnige Orte zu meiden. Auch Staub, Feuchtigkeit, große Kälte und starke Vibrationen können das REX50 beschädigen.

2. BEHANDLUNG

Sie wissen natürlich selbst, daß man ein elektronisches Gerät am besten nicht fallenläßt. Unterwegs sollte man schon vorsichtig sein.

3. UMBAUTEN, REPARATUREN & GARANTIE

Diese drei Konzepte vertragen sich in der Regel nicht: Wenn Sie Ihr REX50 also mit irgend etwas nachrüsten oder umbauten lassen oder selbst Reparaturen vornehmen, verfällt automatisch der Garantieanspruch.

4. VOR DEM ANSCHLIESSEN AUSSCHALTEN

Schalten Sie das REX50 immer erst dann ein, wenn Sie alle Anschlüsse vorgenommen haben. Dadurch werden Schäden im REX50 und in den anderen Geräten vermieden.

5. DIE KABEL

Ziehen Sie nach Möglichkeit immer nur an den Steckern, nie an den Kabeln, um das Reißen der Drähte zu vermeiden.

6. REINIGUNG

Zum Reinigen oder Abstauben nur ein Staubtuch gebrauchen. Benzol oder andere chemische Lösungen greifen das Finish an und Wasser beschädigt die Schaltkreise.

7. AUF DIE RICHTIGE NETZSPANNUNG ACHTEN

Auf richtige Netzspannung achten. Auf der Gehäuserückseite finden Sie alle diesbezüglichen Angaben. U.S.A und Kanada: 120 V, 60Hz Universalausführung: 220–240V, 50/60 Hz.

8. INTERFERENZEN

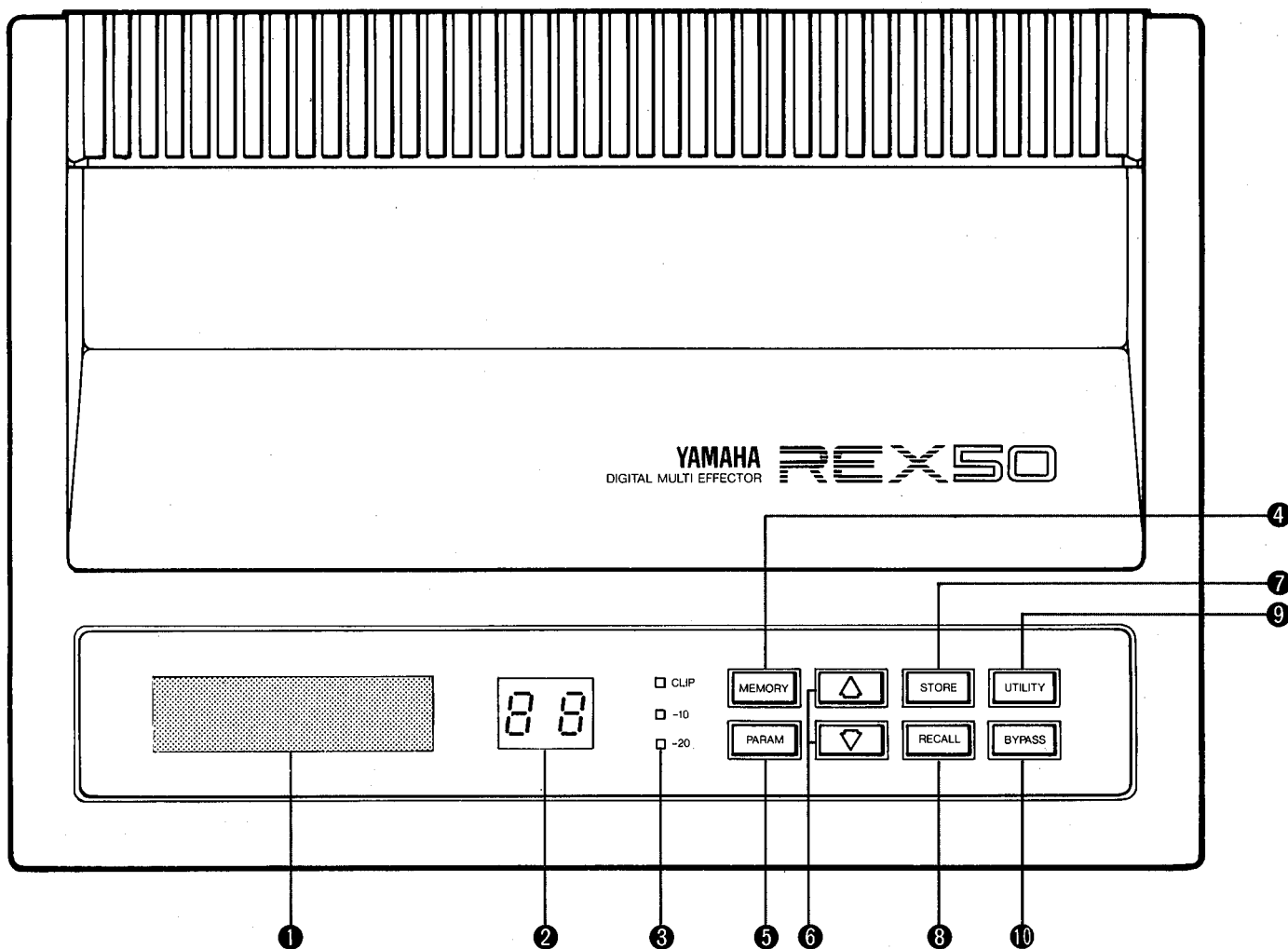
Meiden Sie Geräte, die elektromagnetische Felder generieren (z.B. einen Fernseher). Das kann zu Störungen im REX50 und zu Interferenz beim Fernseher führen.

9. BATTERIE

Das REX50 wurde mit einer Lithiumbatterie ausgestattet, um zu verhindern, daß die Speicherinhalte nach Ausschalten des Geräts verloren gehen. Die Lebensdauer dieser Batterie beträgt ca. 5 Jahre. Sobald die Spannung unter den Minimumwert absinkt, erscheint die Meldung "****WARNING***LOW BATTERY" (Achtung, Batterie ist schwach) beim Einschalten im Display.

1. STEUERELEMENTE UND ANSCHLÜSSE

DIE STEUERELEMENTE



1 LCD (Flüssigkristallanzeige)

Dieses Display verfügt über zwei Zeilen zu 16 Zeichenpositionen. Auf diese Weise kann der Name des angewählten Effekts in der ersten Zeile angezeigt werden, während Sie in der zweiten den Wert des gewünschten Parameters erfahren. Fehlermeldungen oder Warnungen werden ebenfalls (manchmal sogar in beiden Zeilen) hier angezeigt.

2 Speichernummer-LED

In diesem Display erscheint die Nummer des gewählten Speichers (1-90). Wird die Zahl normal angezeigt, so entspricht der Effekt der Speichernummer. Wenn die Zahl blinkt, so bedeutet das, daß bereits ein anderer Speicher angewählt, aber noch nicht eingegeben worden ist, weshalb immer noch der Effekt der vorangehenden Zahl vorliegt.

3 Eingangspiegel-Anzeige

Diese Eingangspiegelanzeige besteht aus drei Leuchtdioden für -20dB , -10dB und CLIP. Den Eingangspiegel des angeschlossenen Geräts mit Hilfe des INPUT LEVEL-Reglers (siehe die Anschlüsse, 7) so hoch wie möglich einstellen. Die Dioden -20dB und -10dB sollten fortwährend leuchten. Die CLIP-Diode darf nur ab und zu einmal aufblinken.

4 MEMORY-Taste

Wenn man diese Taste drückt, wechselt man in den MEMORY-Mode, in dem man mittels Δ und ∇ den gewünschten Speicher anwählen kann.

5 Die PARAM-Taste

Mit dieser Taste ruft man die einzelnen Parameter eines Effekts ab. Die Parameter wählt man dadurch an, daß man die PARAM-Taste so oft drückt, bis die gewünschte Anzeige erscheint.

6 Die WERTERHÖHUNGS- und VERRINGERUNGS-Tasten

Im MEMORY-Mode dienen diese Tasten zum Anwählen eines bestimmten Speichers. In der PARAMETER-Betriebsart kann man mit diesen Tasten die Parameterwerte erhöhen bzw. verringern. Diese Tasten dienen ebenfalls zum Programmieren verschiedener UTILITY-Funktionen.

7 Die STORE-Taste

Diese Taste dient zum Speichern der editierten Effektparameter im Benutzer-Bereich (31-90).

8 Die RECALL-Taste

Sie wissen bereits, daß man die Nummer eines Effekts mit Hilfe der Δ bzw. ∇ Taste einstellt. Um den dazugehörigen Effekt abzurufen, muß man die RECALL-Taste drücken (in der Computer-Sprache würde man sagen, der Wert muß "ge-enter-t" oder eingegeben werden).

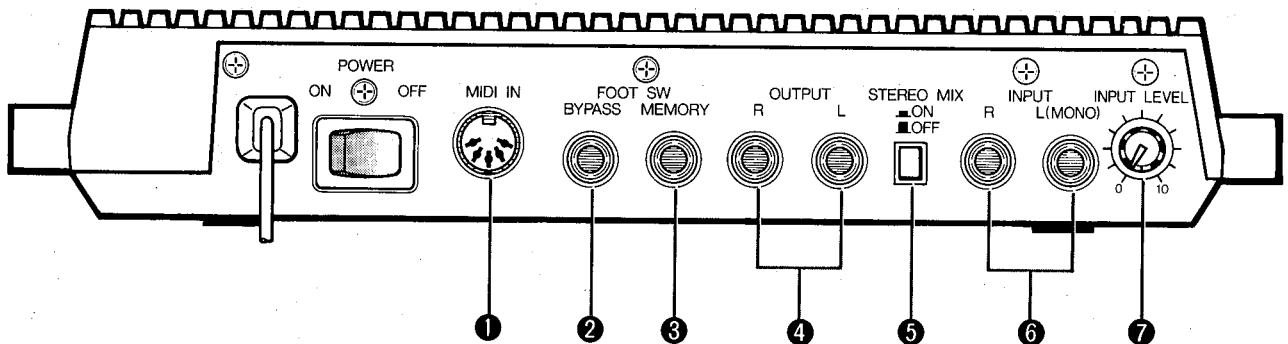
9 Die UTILITY-Taste

Mit dieser Taste wählt man die UTILITY-Funktionen an. Hierzu gehören das Schreiben eines Namens, die MIDI-Funktionen und die Fußschalter-Programmierung.

10 Die BYPASS-Taste

Mit der BYPASS-Taste kann man den Effekt ein- oder ausschalten. Wenn Sie die Bypass-Funktion (Umgehung) aktivieren, wird nur das "trockene" Signal ausgegeben.

Die ANSCHLÜSSE



1 Die MIDI IN-Buchse

Verbinden Sie diese Buchse mit dem MIDI Ausgang des sendenden Geräts. Dadurch kann man Programmwechsel und PITCH CHANGE A sowie ein paar weitere Effekte vom MIDI-Gerät aus steuern.

2 BYPASS-Buchse

An diese Buchse kann man einen FC5 Fußschalter anschließen, um die Bypass-Funktion per Fuß zu aktivieren.

3 MEMORY-Buchse

Auch die Benutzer-Speicher 31–90 kann man der Reihe nach über einen Fußschalter auswählen. Man braucht nur einen FC5 an die MEMORY-Buchse anzuschließen.

4 OUTPUT R und L

Über diese beiden Viertelzollbuchsen erfolgt die Ausgabe des REX50. Verbinden Sie diese Buchsen daher mit einem Stereoverstärker, der Bandmaschine oder einem Mischpult. Da es sich bei den Effekten des REX50 um "echte" Stereoeffekte handelt, empfehlen wir Ihnen, nach Möglichkeit immer beide Buchsen anzuschließen. Ist das nicht möglich, so schließen Sie entweder die R oder die L OUTPUT-Buchse an den Verstärker/das Mischpult an.

5 STEREO MIX-Schalter

Mit diesem Schalter bestimmt man, ob das ausgegebene Signal nur den Effektanteil (OFF-Stellung) oder auch das Original (ON-Stellung) enthält. Die Balance zwischen Direkt- und Effektsignal kann man dadurch programmieren, daß man den Effekt-, den Ein- und den Ausgangspegel wunschgemäß einstellt.

6 INPUT R und L (MONO)

Wenn Sie Stereo-Instrumente, wie z.B. ein Keyboard mit Stereoausgängen verwenden, müssen Sie dessen rechten und linken Ausgang mit der L bzw. R Buchse verbinden. Falls Sie ein Mono-Instrument an das REX50 anschließen möchten, so sollten Sie es mit der L (MONO) Buchse verbinden.

7 INPUT LEVEL-Regler

Mit diesem Regler stellt man den optimalen Eingangspegel ein. Bei idealer Einstellung, leuchten die Dioden -20 und -10 fortwährend (sobald ein Signal eingeht) und CLIP nur gelegentlich.

2. EINSATZ

DIE SPEICHERANORDNUNG

Das REX50 ist mit 90 Speicherplätzen ausgestattet. Die ersten 30 sind ROM (sog. Fest-) Speicher, die die Presets enthalten. Diese Speicher enthalten folgende Effekte:

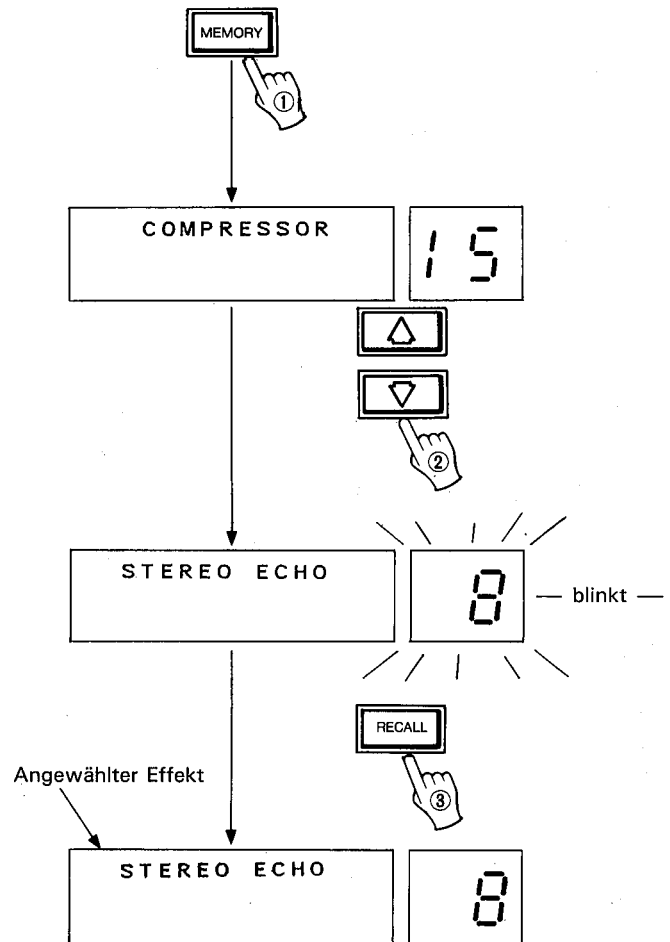
Sp.-Nr.	Programmname	Sp.-Nr.	Programmname
1	REV 1 HALL	16	REVERB & GATE
2	REV 2 ROOM	17	PITCH CHANGE A
3	REV 3 VOCAL	18	PITCH CHANGE B
4	REV 4 PLATE	19	PITCH CHANGE C
5	EARLY REF. 1	20	PAN
6	GATE REVERB	21	DISTORTION
7	DELAY L,R	22	DIST.+REV HALL
8	STEREO ECHO	23	DIST.+REV PLATE
9	STEREO FLANGE	24	DIST.+GATE REV
10	CHORUS	25	D.+REVERSE GATE
11	STEREO PHASING	26	DIST.+DELAY
12	SYMPHONIC	27	DIST.+ECHO
13	REVERSE GATE	28	DIST.+FLANGE
14	ADR-NOISE GATE	29	DIST.+CHORUS
15	COMPRESSOR	30	DIST.+SYMPHONIC

Diese Effekte werden auf S. 86 ff. im Kapitel BESCHREIBUNG WERKSPROGRAMME UND IHRER PARAMETER der Reihe nach erklärt. Die Speicher 31-90 kann man zur Ablage seiner eigenen Effektprogramme gebrauchen. In der Praxis handelt es bei diesen Programmen meist um editierte Fassungen der ROM-Effekte.

ANWÄHLEN EINES EFFEKTS/DER SPEICHER

- Drücken Sie die MEMORY-Taste. Falls Sie sich bereits im Memory-Mode befinden, erübrigt sich das.
- Wenn Sie auf Δ oder ∇ drücken, erhöhen bzw. verringern Sie den Wert. Das LED-Display zeigt deshalb eine höhere oder niedrigere Speichernummer an. Falls sich die gewünschte Speichernummer etwas weiter entfernt von der angezeigten befindet, müssen Sie die gewünschte Taste gedrückt halten, bis die Nummer im Display erscheint. Sobald eine Nummer angezeigt wird, erscheint der dazugehörige Name im LCD-Display. Falls der angewählte Benutzer-Speicher (31-90) noch kein Programm enthält, wird "****NO DATA****" ("keine Daten") angezeigt. Da die eingestellte Nummer im LED-Display blinkt, bedeutet das, daß die dazugehörigen Daten noch nicht vorliegen.

- Möchten Sie das Programm einsetzen, so müssen Sie den Nummernwert eingeben, indem Sie auf RECALL drücken. Die Nummer blinkt nun nicht mehr.



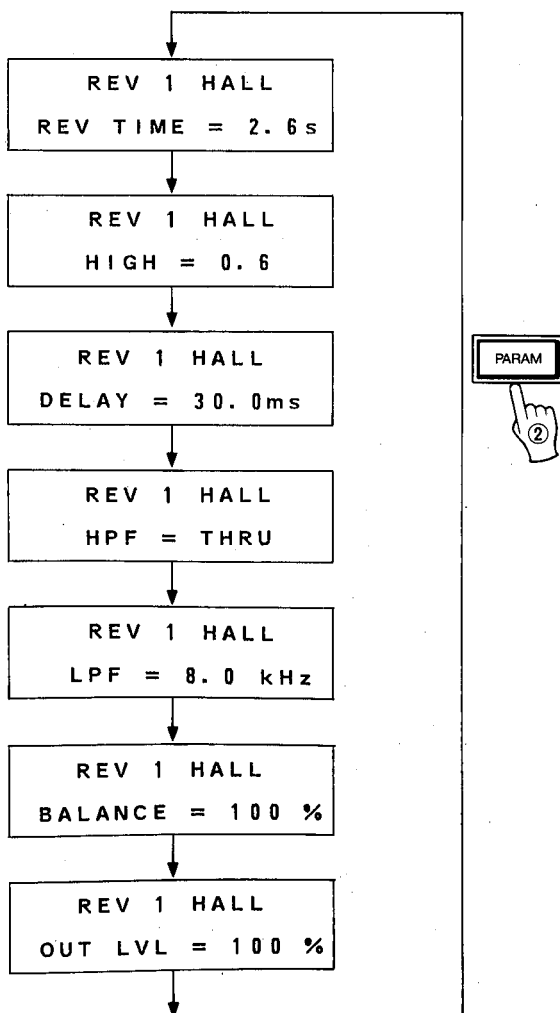
DIE BYPASS-FUNKTION

Man kann die Bypass-Funktion auf zwei Arten aktivieren: Indem man die BYPASS-Taste auf der Vorderseite drückt oder indem man den an die BYPASS-Buchse angeschlossenen Fußschalter betätigt. Als Fußschalter verwendet man am besten einen FC5 von Yamaha. Sobald Sie die Bypass-Funktion mit der Hand oder per Fuß abrufen, erscheint ein fettgedrucktes B oben rechts im LCD-Display. Solange das B angezeigt wird, geht das eingegebene Signal direkt zu den Ausgängen. Der Effekt ist also ausgeschaltet. Erst wenn Sie die Taste oder den Schalter noch einmal betätigen, wird der Effekt wieder eingeschaltet.

ANWÄHLEN UND EDITIEREN DER PARAMETER EINES EFFEKTS

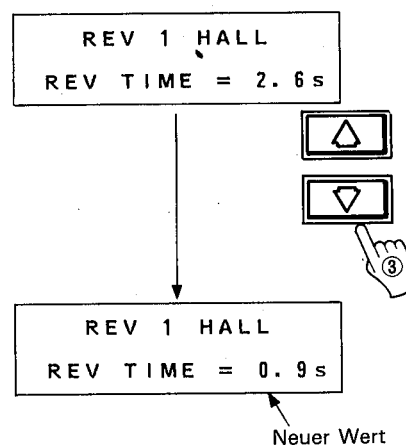
Jeder Effekt des REX50 setzt sich aus verschiedenen Parametern zusammen, die Sie frei editieren können. Die Parameter werden im 3. Teil, *BESCHREIBUNG DER WERKSPROGRAMME UND IHRER PARAMETER*, auf S. 86 erklärt. Anhand des 1. Effekts, "REV 1 HALL", möchten wir Ihnen zeigen, wie man die Parameter anwählt.

- ① Wählen Sie den Effekt an, der editiert werden soll (in unserem Fall also REV 1 HALL).
- ② Drücken Sie die PARAM-Taste, damit der erste Parameter in der unteren LCD-Zeile angezeigt wird. Wenn Sie nun wiederholt die PARAM-Taste betätigen, rufen Sie nacheinander alle Parameter des angewählten Effekts ab. Die Parameter von REV 1 HALL sind:



Wenn Sie, nachdem Sie "Out Lvl" angewählt haben, noch einmal auf PARAM drücken, so rufen Sie wieder "Rev time" ab.

- ③ Mit der Δ bzw. der ∇ Taste kann man nun den Wert des angewählten Parameters verändern. Mit der Δ Taste erhöht man den Wert, mit der ∇ verringert man ihn. Wenn Sie eine dieser Tasten gedrückt halten, wird der Wert kontinuierlich verändert.

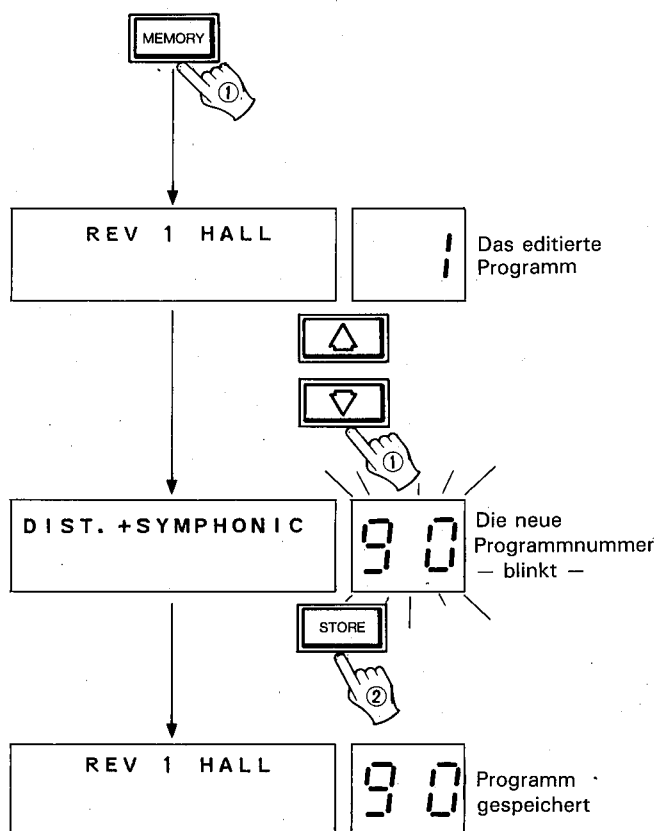


Nach dem Einstellen eines Parameters können Sie zum nächsten gehen und auch dessen Wert wunschgemäß einstellen. Bevor Sie jedoch einen anderen Speicher abrufen, sollten Sie die neuen Einstellungen abspeichern (31–90), um sie nicht zu verlieren. Siehe "ABSPEICHERN DER EFFEKTE".

ABSPEICHERN DER EFFEKTE

Einen neu programmierten Effekt speichert man folgendermaßen ab:

- ① Drücken Sie nach dem Editieren die MEMORY-Taste. Mit der Δ bzw. der ∇ Taste müssen Sie nun einen der RAM-Speicher (31–90) anwählen. Drücken Sie AUF KEINEN FALL auf RECALL.
- ② Wenn Sie STORE betätigen, wird Ihr editiertes Programm unter der eingestellten Nummer abgespeichert. Der Name des Effekt erscheint nun im LCD-Display. (Wahrscheinlich trifft er aber nicht genau den Charakter Ihres neuen Programms. Daher müssen Sie zu einem späteren Zeitpunkt in die Utility-Betriebsart wechseln, um einen neuen Namen zu schreiben.) Sobald Sie die STORE-Taste drücken, blinkt die Nummer nicht mehr, und das bedeutet, daß Ihr Programm abgespeichert ist.



HINWEIS: Man kann keine Programme im ROM-Speicher (1–30) ablegen. Versuchen Sie es trotzdem, so sagt Ihnen das Display **“***READ ONLY***MEM NO.1–30”**.

**** READ ONLY ****
MEM NO. 1–30

HINWEIS: Ihr neues Programm können Sie selbstverständlich noch verfeinern, d.h. weiter editieren. Wenn Ihnen etwas an den Veränderungen liegt, müssen Sie das Programm noch einmal unter derselben Nummer abspeichern, indem Sie die STORE-Taste drücken. Tun Sie das nicht, so gehen die Veränderungen verloren, sobald Sie einen anderen Speicher (mittels RECALL) anwählen. Natürlich kann man das etwas abgewandelte Programm auch unter einer anderen Nummer ablegen.

3. BESCHREIBUNG DER WERKSPROGRAMME UND IHRER PARAMETER

DIE BALANCE UND DER OUTPUT LEVEL

Da alle Effekte des REX50 BALANCE- und OUTPUT LEVEL-Funktionen enthalten, möchten wir diese beiden Funktionen vorweg beschreiben. BALANCE und OUT LVL befinden sich normalerweise am Ende der Parameterreihe.

BALANCE (Effekt/Eingangssignal): 0–100%

Mit diesem Parameter regelt man die Balance zwischen dem Eingangssignal und dem Effekt. Beträgt der Wert 100%, so wird nur das Effektsignal ausgegeben. Umgekehrt bedeutet eine Einstellung von 0%, daß das ausgegebene Signal keinen Effektanteil enthält. Bei 50% ist das Verhältnis in etwa ausgewogen.

OUT LVL (Ausgangspegel des Effekts): 0–100%

Hier regelt man den Ausgangspegel des Effekts. Mit diesem Parameter kann man also den Pegel aller Programme gleich laut einstellen, um die Programme Live problemlos gebrauchen zu können.

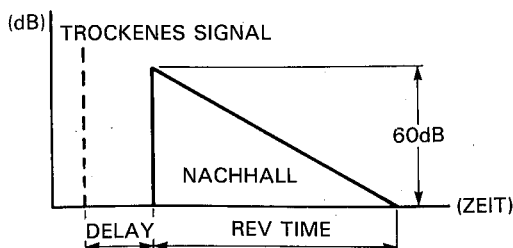
1. REV 1 HALL

2. REV 2 ROOM

3. REV 3 VOCAL

4. REV 4 PLATE

Reverb (oder Nachhall) ist die Rauminformation, die einem Klang oder ganzen Stück überhaupt erst Leben einhaucht. Das REX50 bietet 4 verschiedene Reverb-Programme, die natürliche Situationen sehr exakt wiedergeben: REV 1 HALL (eine Halle), REV 2 ROOM (ein Zimmer), REV 3 VOCAL (ein Nachhalleffekt, der vor allem für Gesang geeignet ist) und REV 4 PLATE (ein mit einer Platte künstlich geschaffener Nachhall).



REV TIME (Nachhalldauer): 0,3–99,0 s

Die Zeit, die eine Effektsignal von 1kHz braucht, um völlig zu ersterben (also von 60 dB auf ca. 0). In einer natürlichen Umgebung richtet sich dieser Parameter nach mehreren Faktoren: der Größe des Raums, seiner Beschaffenheit, den Wänden usw.

HIGH (Hochfrequenzanteil): 0,1–1,0

Natürlicher Nachhall richtet sich nach der Frequenz des Signals: Je höher das Signal, desto mehr wird es von den Wänden, Möbeln und der Luft absorbiert. Dieser Parameter trägt also sehr zur Natürlichkeit des Halls bei.

DELAY (Verzögerung): 0,1–50,0 ms

Zwischen dem trockenen Signal und dem Hall-Anteil tritt meistens eine Verzögerung auf, da das Signal ja reflektiert werden muß. Mit DELAY bestimmt man, wie groß die Verzögerung ist.

HPF (Hochpaßfilter): THRU, 32Hz–1,0 kHz

Hier kann man alle Frequenzen unterhalb der programmierten aus dem Effektsignal filtern. Wenn Sie aber auch die niedrigen Frequenzen wünschen, müssen Sie THRU einstellen.

LPF (Tiefpaßfilter): 1kHz–11kHz, THRU

Dieses Filter tut das Gegenteil des Hochpaßfilters: Alle Frequenzen oberhalb der eingestellten werden gedämpft. Wenn Sie THRU anwählen, ist das LPF ausgeschaltet.

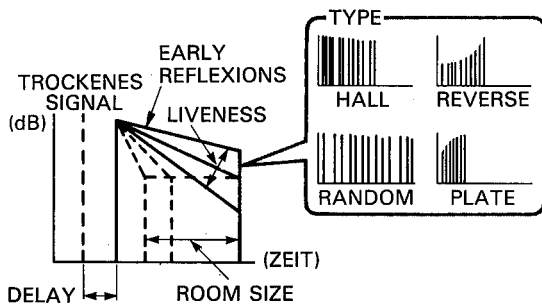
5. EARLY REF. 1

6. GATE REVERB

Diese beiden Effekte beruhen auf den Erstreflexionen, also den Reflexionen, die vor der eigentlichen Masse, d.h. dem Hall, entstehen.

13. REVERSE GATE

Dieser Effekt schafft ein umgekehrtes Gate, mithin einen exquisit unnatürlichen Sound.



TYPE (Art der Erstreflexion):

HALL/RANDOM/REVERSE/PLATE

Mit dem TYPE-Parameter können Sie vier verschiedene Erstreflexions-„Umgebungen“ wählen. HALL vertritt die Erstreflexionen, die man z.B. in größeren Hallen antrifft. RANDOM bedeutet „Zufall“ und damit wissen Sie bereits, daß es so etwas in der Natur nicht gibt. PLATE generiert die Erstreflexionen einer Hallplatte. REVERSE hingegen produziert Reflexionen, deren Pegel zu-statt abnimmt.

ROOM SIZE (Größe des Raums): 0,1–20,0

In einem Raum richtet sich das Zeitintervall zwischen den einzelnen Erstreflexionen nach seiner Größe. Daher bestimmt man mit ROOM SIZE die „Größe“ des Raums.

LIVENESS (Lebendigkeit): 0–10

Einen Raum mit Schalldämpfung simuliert man dadurch, daß man diesen Parameter mit dem 0-Wert versieht. Den Eindruck eines Raums ohne Möbel und Vorhänge simuliert man mit der Einstellung 10.

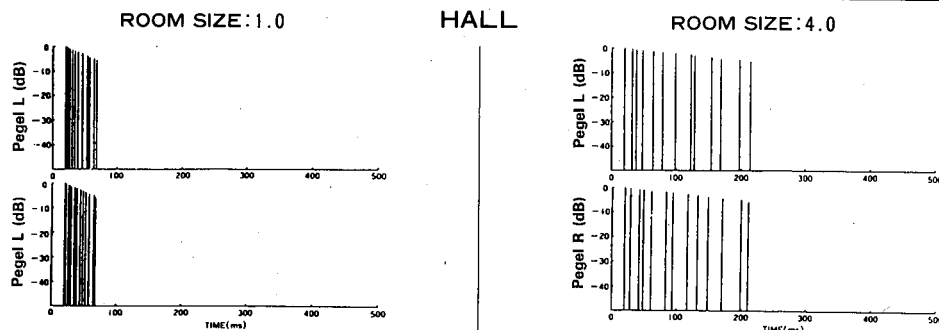
DELAY (Verzögerung): 0,1–400,0 ms

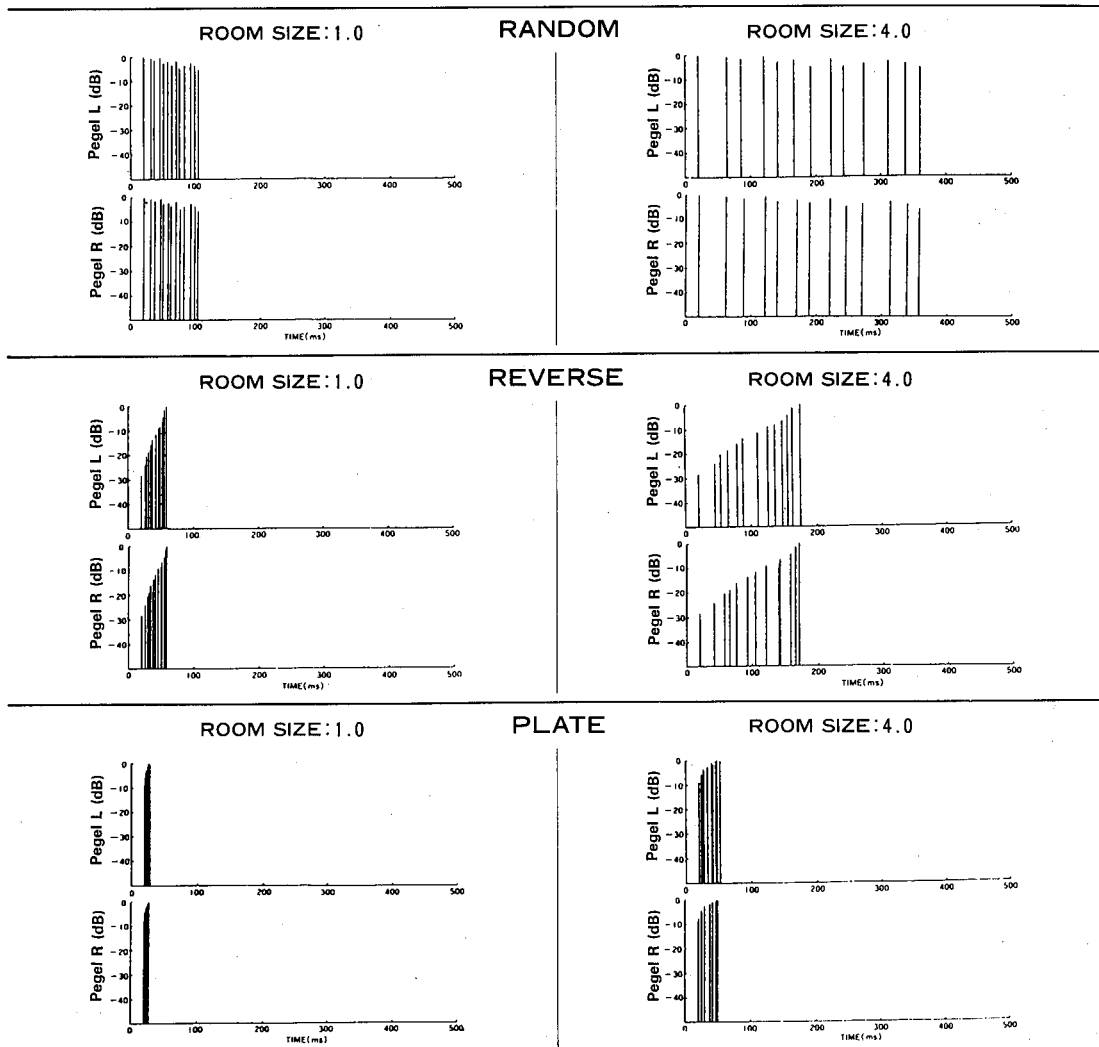
Mit diesem Parameter bestimmen Sie, wie lange es dauern soll, bis der Effekt auf das trockene Signal folgt.

LPF (Tiefpaßfilter): 1kHz–11kHz, THRU

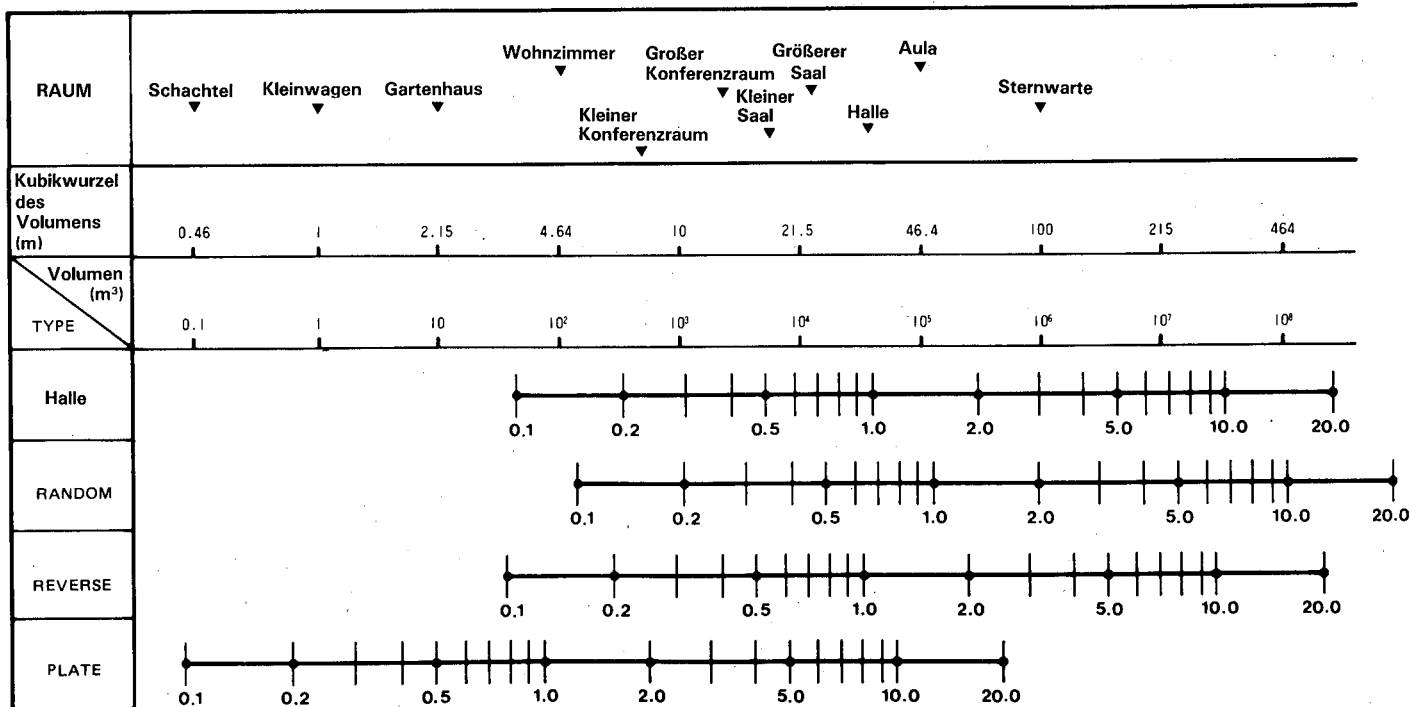
Wie Sie bereits wissen, entfernt man mit diesem Filter die ungewünschten hohen Frequenzen. Wenn Sie THRU anwählen, ist der Effekt ausgeschaltet.

DIE ERSTREFLEXIONEN



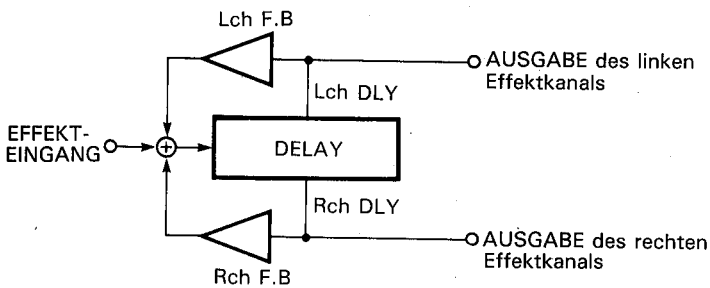
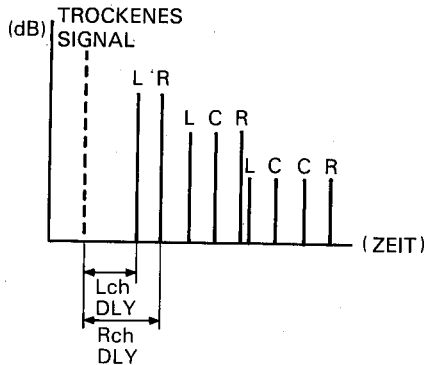


DIE RAUMGRÖSSE



7. DELAY L & R

Der Delay-Effekt ist stereo ausgelegt. Man kann also verschiedene Verzögerungszeiten für rechts und links programmieren.



Lch DLY (Verzögerung links): 0,1–500,0 ms

Die Zeitspanne zwischen dem trockenen Signal und der ersten Wiederholung des linken Kanals.

Lch F.B (Rückkopplung links): –99% – +99%

Der Teil des linken Verzögerungssignals, das noch einmal in das Delay geschickt wird. Je höher der Wert, desto mehr Wiederholungen werden generiert.

Rch DLY (Verzögerung rechts): 0,1–500,0 ms

Die Zeitspanne zwischen dem trockenen Signal und der ersten Wiederholung des rechten Kanals.

Rch F.B (Rückkopplung rechts): –99% – +99%

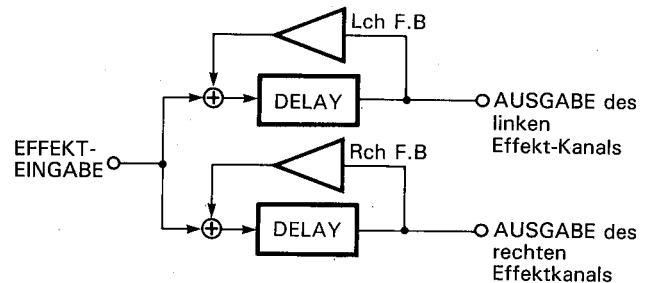
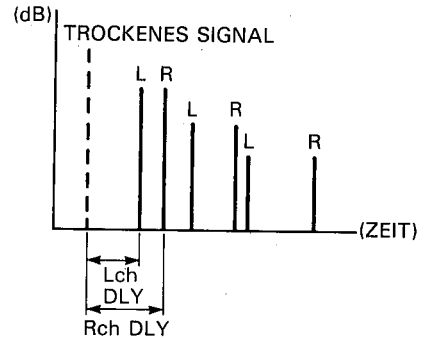
Der Teil des rechten Verzögerungssignals, das noch einmal in das Delay geschickt wird. Je höher der Wert, desto mehr Wiederholungen werden generiert.

HIGH (Rückk. hohe Frequenzen): 0,1–1,0

Das Feedback (Rückkopplung) der hohen Frequenzen kann man getrennt regeln. Je höher der Wert, desto mehr Rückkopplung tritt auf.

8. STEREO ECHO

Wie der Name besagt, handelt es sich um einen Echo-Effekt, der auch wieder stereo ausgelegt ist.



Lch DLY (Verzögerung links): 0,1–250,0 ms

Die Verzögerung zwischen dem trockenen Signal und der ersten Wiederholung des linken Kanals. Alle weiteren Wiederholungen erfolgen in denselben Zeitabständen.

Lch F.B (Rückk. links): –99% – +99%

Die Anzahl der Wiederholungen – von 0 bis unendlich.

Rch DLY (Verzögerung rechts): 0,1 – 250,0 ms

Selbe Funktion wie Lch DLY, nur gilt sie für den rechten Kanal.

Rch F.B (Rückkopplung rechts): –99% – +99%

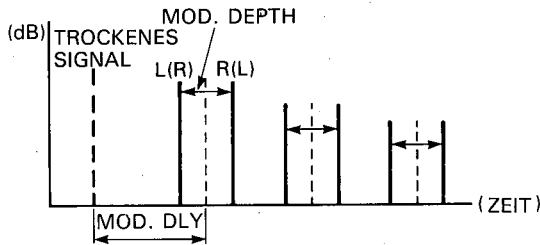
Genau wie Lch F.B., aber für den rechten Kanal.

HIGH (Rückk. hohe Frequ.): 0,1–1,0

Das Feedback (Rückkopplung) der hohen Frequenzen kann man getrennt regeln. Je höher der Wert, desto weniger Rückkopplung tritt auf.

9. STEREO FLANGE

Diesen Effekt braucht man bestimmt nicht lange zu erklären: Er bewirkt den "wirbelnden Sound", der vor allem bei Bassisten und Gitarristen sehr beliebt ist. Flanging wird folgendermaßen produziert:



MOD.FREQ (Modulationsfrequenz): 0,1 – 20,0 Hz

Dieser Parameter bestimmt die Frequenz, d.h. die Geschwindigkeit, der Modulation.

MOD.DEPTH (Modulationsintensität): 0 – 100%

Die Variation der Verzögerungszeit. Damit bestimmt man die Intensität des Effekts.

MOD.DLY (Modulationsverzögerung): 0,1 – 100,0 ms

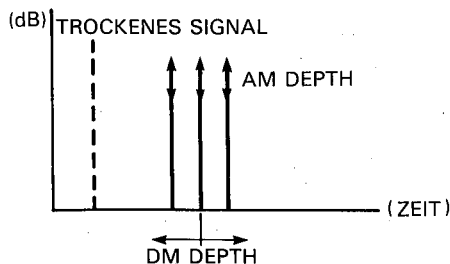
Die Verzögerung, die zwischen dem trockenen und dem Effektsignal auftritt.

F.B GAIN (Rückkopplung): 0 – 99%

Mit diesem Parameter bestimmt man, wieviel von dem Signal noch einmal in den Prozessor eingegeben wird. Ein hoher F.B.GAIN-Wert bedeutet einen "herzhafteren" Flanging-Sound und eine längere Abklingzeit.

10. CHORUS

Chorus hat in etwa dieselbe Funktion wie Flanging: In beiden Fällen möchte man den Sound verschönern oder sogar andicken. Der Chorus-Effekt generiert drei Signale: Eins für die Mitte, eins für den rechten und eins für den linken Kanal. Die Verzögerungszeit und der Pegel der drei Signale werden dann getrennt von dem LFO (Niedrfrequenzoszillator) moduliert.



MOD.FREQ (Modulationsfrequenz): 0,1 – 20,0 Hz

Regelt die Modulationsgeschwindigkeit.

DM DEPTH (Verzögerungsmodulationstiefe): 0 – 100%

Hiermit stellt man die Intensität ein, mit der die Delay Time eines Signals im Verhältnis zu einem anderen variiert wird. Hierdurch entsteht der Chorus-Effekt.

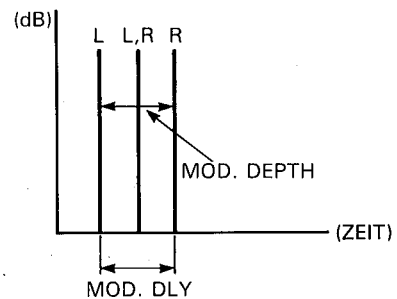
AM DEPTH (Amplitudenmodulationsintensität):

0 – 100%

Die Intensität, mit der die Lautstärke (die Amplitude) variiert wird.

11. STEREO PHASING

Phasing könnte man auch "Salon-Flanging" nennen, da es den Sound nur leicht verändert.



MOD.FREQ (Modulationsfrequenz): 0,1 – 20,0 Hz

Regelt die Modulationsgeschwindigkeit.

MOD.DEPTH (Modulationsintensität): 0 – 100%

Die Variation der Verzögerungszeit. Damit bestimmt man die Intensität des Effekts.

MOD.DLY (Modulationsverzögerung): 0,1 – 8,0 ms

Die Verzögerung, die zwischen dem trockenen und dem Effektsignal auftritt.

12. SYMPHONIC

Dieser Effekt wird genau wie der Flange-Effekt generiert. Der einzige Unterschied liegt darin beschlossen, daß SYMPHONIC großartiger klingt.

MOD.FRO (Modulationsfrequenz): 0,1 – 20,0 Hz

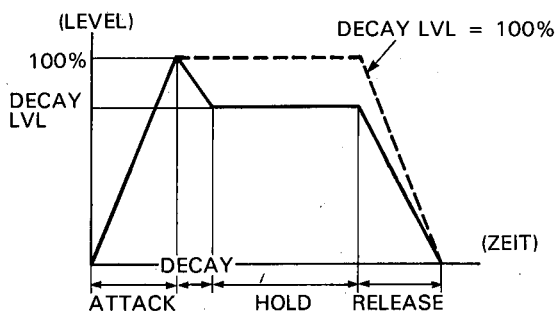
Die Geschwindigkeit der Effektvariation.

MOD.DEPTH (Modulationsintensität): 0 – 100%

Die Intensität des Effekts.

14. ADR-NOISE GATE

Mit diesem Effekt kann man bestimmen, welcher Teil des Signals durchgelassen wird. Mit anderen Worten: Man kann ein Signal an jeder beliebigen Stelle einsetzen lassen oder abbrechen, indem man den Effekt so programmiert, daß nur Signale oberhalb eines bestimmten Pegels durchgelassen werden. Aber man kann das Gate auch "umdrehen" und den Pegel des Signals zu- statt abnehmen lassen.



TRG.LEVEL (Trigger Pegel): 1 – 100

Die Pegel-Stärke, bei der sich das Gate "öffnet". Wenn Sie 1% einstellen, wird selbst das schwächste Signal durchgelassen, wohingegen bei 100% nur die allerlautesten Signale durchgelassen werden.

TRG. DLY (Trigger-Verzögerung): - 100 – + 100 ms

Hiermit kann man eine Verzögerung zwischen die Öffnung des Gates und das Signal schieben. Bei negativen Werten öffnet sich das Gate bevor das Signal vorliegt.

TRG MSK (Trigger-Sperre): 5 – 32.000 ms

Dieser Parameter sorgt dafür, daß ein neues Signal erst dann wieder durchgelassen wird, wenn die eingestellte Zeit verstrichen ist.

ATTACK (Einschwingung): 5 – 32.000 ms

Bestimmt die Dauer, bis das Gate völlig geöffnet ist.

DECAY (Abklingzeit): 5 – 32.000 ms

Die Zeit, die verrinnt, bis das Gate nach der vollständigen Öffnung auf den DECAY LEVEL absinkt.

DECAY LEVEL (Decay-Pegel): 0 – 100%

Hier legt man fest, wie laut das Signal während der HOLD-Dauer sein soll.

HOLD (Halte-Dauer): 1 – 30.000 ms

Die Dauer, die der DECAY LEVEL angehalten wird, bevor das Signal zu RELEASE geht.

RELEASE (Ausklingszeit): 5 – 32.000 ms

Die Zeit, die verstreicht, bis sich das Gate wieder schließt (nach HOLD).

MIDI TRG. (Auslösung über MIDI): OFF, ON

Wenn Sie den Parameter auf ON stellen, kann man das Gate mit einem TASTE AN (KEY ON) Ereignis eines Keyboards öffnen. Jedesmal, wenn man auf einem MIDI-kompatiblen Keyboard eine Note spielt, löst man ein TASTE AN-Ereignis aus.

15. COMPRESSOR

Mit diesem COMPRESSOR Programm kann man so ungefähr alle denkbaren Compressor- und Limiter-Effekte programmieren. Ein Compressor reduziert den Dynamikbereich eines Signals und macht es dadurch gleichmäßiger. Aber man kann COMPRESSOR auch so programmieren, daß eine E-Gitarre mit einem längeren Sustain versehen wird. Oder um Gesangspegelschwankungen auszuräumen.

ATTACK (Einschwingung): 1–40 ms

Bestimmt die Dauer, bis das Gate völlig geöffnet ist. Die Attack muß sehr exakt programmiert werden, damit die Natürlichkeit gewährleistet bleibt, es sei denn, Sie möchten einen "total verrückten" Sound.

RELEASE (Ausklingszeit): 10–2.000 ms

Die Zeit, die verstreicht, bis das Compressor-Signal ausklingt, nachdem es unter den THRESHOLD-Pegel absinkt. Sehr kurze RELEASE-Zeiten bedeuten abrupt endende Sounds.

THRESHOLD (Einsatzpunkt) – 48 – – 6dB

Der Pegel, den das Signal bringen muß, damit der Compressor einsetzt. Bei sehr niedrigen Werten (-48dB) werden so gut wie alle Signale zusammengedrückt. Höhere Werte bedeuten, daß nur die Signale mit dem eingestellten Pegel komprimiert werden. Wahren Sie bei der Einstellung von THRESHOLD die Natürlichkeit des Sounds.

RATIO (Compression-Stärke): 1–20,0

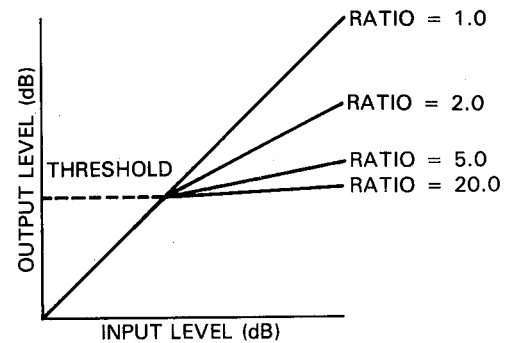
Mit diesem Parameter stellt man die Intensität des Compressor-Signals ein. Beträgt der Wert 1,0, so wird das Signal nur unwesentlich komprimiert. Bei 20,0 wird das Signal hingegen am stärksten zusammengedrückt.

DET.DLY (Verzögerung): – 50,0 – + 50,0 ms

Hiermit kann man eine Verzögerung zwischen dem Erreichen des THRESHOLD-Werts und dem dadurch komprimierten Signal schieben. Diese Verzögerung ist vor allem dann nützlich, wenn man die Attack des Instruments möglichst unangetastet lassen möchte. Bei negativen Werten hört man zuerst das komprimierte und dann erst das Originalsignal.

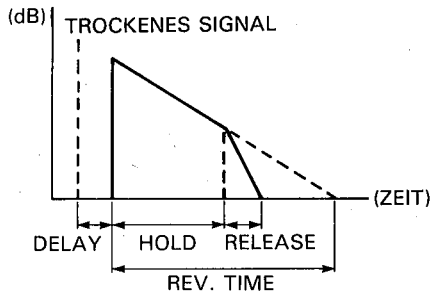
DELAY (Verzögerung): 0,1 – 400,0 ms

Die zeitliche Verzögerung zwischen dem Eingangssignal und dem komprimierten Signal.



16. REVERB & GATE

Hier werden Gate und Reverb miteinander kombiniert, so daß man nur einen Teil eines längeren Reverbs hörbar machen kann. Das macht sich z.B. bei Snares sehr gut.



REV TIME (Halbdauer): 0,3 – 99,0 s

Die Zeit, die eine Effektsignal von 1kHz braucht, um völlig auszuklingen (also von 60 dB auf ca. 0).

HIGH (Hochfrequenter Reverbanteil): 0,1 – 1,0

Mit diesem Parameter kann man den hochfrequenten Nachhall der Halbdauer anpassen.

DELAY (Anfängl. Verzögerung): 0,1 – 50,0 ms

Die Zeitspanne zwischen dem Eingangssignal und den ersten Reflexionen.

HPF (Hochpaßfilter): THRU, 32Hz – 1,0kHz

Hier kann man alle Frequenzen bis zur programmierten aus dem Effektsignal filtern. Wenn Sie aber auch die niedrigen Frequenzen wünschen, müssen Sie THRU einstellen.

LPF (Tiefpaßfilter): 1kHz – 11kHz, THRU

Dieses Filter tut das Gegenteil des Hochpaßfilters: Alle Frequenzen oberhalb der eingestellten werden gedämpft. Wenn Sie THRU anwählen, ist das LPF ausgeschaltet.

TRG LEVEL (Trigger Pegel): 1 – 100

Bestimmt die zum Öffnen des Gates erforderliche Signalamplitude. Bei einem Wert von 100% sind nur die allerstärksten Signale laut genug. Bei einem Wert von 1% löst fast jedes Signal das Gate aus.

HOLD (Halte-Dauer): 1 – 30.000 ms

Die Dauer, die der DECAY LEVEL angehalten wird, bevor das Signal zu RELEASE geht.

RELEASE (Ausklingszeit): 5 – 32.000 ms

Die Zeit, die verstreicht, bis sich das Gate wieder schließt (nach HOLD).

MIDI TRG. (Auslösung über MIDI): OFF, ON

Wenn Sie den Parameter auf ON stellen, kann man das Gate mit einem TASTE AN (KEY ON) Ereignis eines Keyboards öffnen.

17. PITCH CHANGE A

Dieses Programm kann die Tonhöhe des eingehenden Signals um bis zu eine Oktave erhöhen oder senken. Das transponierte Signal kann man dem Original (mit einer vernünftigen BALANCE) wieder zumischen. Damit erzielt man verstimmungs- Effekte.

PITCH (Interval): – 12 – + 12

Bestimmt das Tonintervall (in Halbtonschritten): + 12 bedeutet eine Transposition um eine Oktave nach oben, -12 hingegen eine Transposition um eine Oktave nach unten.

FINE (Feinstimmen): – 100 – + 100

Um das transponierte Signal exakt zu stimmen. Die Werteinheit ist Cent.

DELAY (Verzögerungszeit): 0,1 – 400,0 ms

Die Zeit, die zwischen dem Eingangs- und dem transponierten Signal verrinnt.

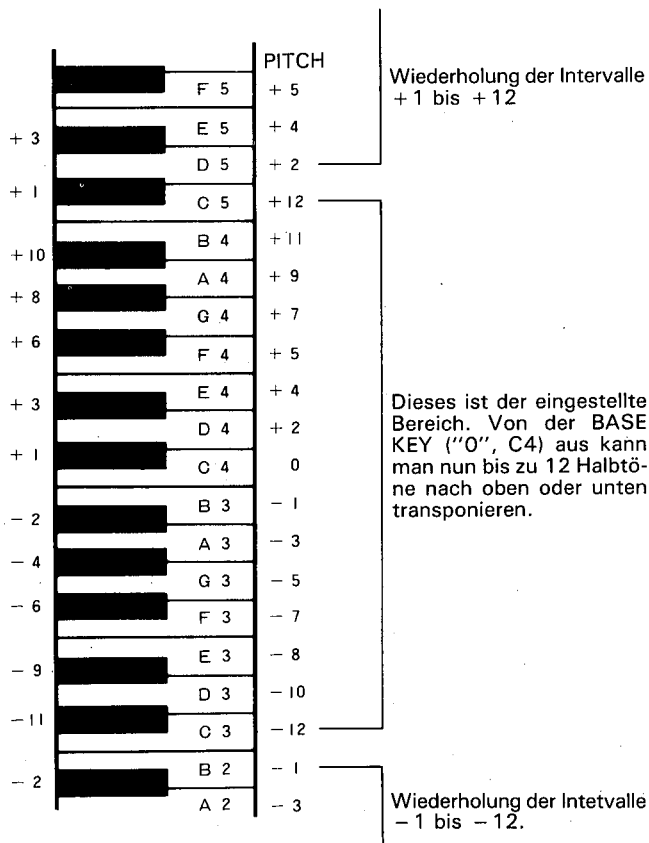
F.B GAIN (Rückkopplung): 0 – 99%

Beträgt der Wert dieses Parameters 0, so wird das transponierte Signal nach der DELAY-Zeit nur einmal ausgegeben. Je höher der Wert ist, desto mehr Wiederholungen werden – auch wieder um den programmierten PITCH-Wert transponiert – ausgegeben.

18. PITCH CHANGE

BASE KEY (Ausgangsnote): OFF, C1 – C6

Wenn man den MIDI-Ausgang eines Keyboards mit der MIDI IN-Buchse des REX50 verbindet, kann man den PITCH-Parameter durch das Spielen der eingestellten Noten steuern. Hier programmiert man, bei welcher Note die Steuerung beginnt. Diese ist die sog. BASE KEY (Ausgangsnote). Wenn als BASE KEY-Wert C4 programmiert wird, so bedeutet das Drücken der Taste C3, daß das PITCH CHANGE A-Programm die eingehende Note eine Oktave nach unten transponiert. Drücken Sie hingegen auf D4, so beträgt das Intervall +2. Drücken Sie eine Manual-taste außerhalb des eingestellten Bereichs, so erzielen Sie ebenfalls Tonhöhenänderungen (siehe Abb.). Das PITCH CHANGE A-Programm kann nur dann über MIDI angesteuert werden, wenn Base Key nicht auf OFF gestellt wurde.



Mit dem PITCH CHANGE B-Programm kann man gleich zweimal die Tonhöhe des Eingangssignal variieren und die Intervalle dem Original zumischen. Mit einer Note lassen sich also ganze Dreiklänge "spielen/singen". Die beiden Intervalle befinden sich in der Mitte des Stereopanoramas (d.h. sowohl rechts als auch links).

1 PITCH (1. Intervall): -12 - +12

Wie der Name bereits andeutet, stellt man hier das erste Intervall ein. Man kann bis zu 12 Halbtöne nach oben (+12) bzw. unten (-12) transponieren.

1 FINE (Feinstimmung 1): -100 - +100

Auch hier geschieht die Feinstimmung in Cent.

1 DLY (Verzögerung 1): 0,1 - 400,0 ms

Die Zeit, die zwischen dem Erklängen des Originals und dem ersten Intervall verstreicht.

2 PITCH (2. Intervall): -12 - +12

Hier stellt man das zweite Intervall ein. Man kann bis zu 12 Halbtöne nach oben (+12) bzw. unten (-12) transponieren.

2 FINE (Feinstimmung 2): -100 - +100

Auch hier geschieht die Feinstimmung in Cent.

2 DLY (Verzögerung 2): 0,1 - 400,0 ms

Die Zeit, die zwischen dem Erklängen des Originals und dem zweiten Intervall verstreicht.

19. PITCH CHANGE

Genau wie bei PITCH CHANGE B kann man auch hier zwei Intervalle programmieren und dem Original zumischen. Im Gegensatz zu B jedoch geht jedes Intervall über einen getrennten Stereokanal aus, nur das Original befindet sich in der Mitte. Damit schafft man auf einfache Weise eine "echte" Stereo-Harmonie.

L PITCH (Linkes Intervall): - 12 - + 12

Hier stellt man das linke Intervall ein. Man kann bis zu 12 Halbtöne nach oben (+ 12) bzw. unten (- 12) transponieren.

L FINE (Feinstimmung L): - 100 - + 100

Auch hier geschieht die Feinstimmung in Cent.

L DLY (Verzögerung L): 0,1 - 200,0 ms

Die Zeit, die zwischen dem Erklingen des Originals und dem linken Intervall verstreicht.

R PITCH (Rechtes Intervall): - 12 - + 12

Hier stellt man das rechte Intervall ein. Man kann bis zu 12 Halbtöne nach oben (+ 12) bzw. unten (- 12) transponieren.

R FINE (Feinstimmung R): - 100 - + 100

Auch hier geschieht die Feinstimmung in Cent.

R DLY (Verzögerung R): 0,1 - 200,0 ms

Die Zeit, die zwischen dem Erklingen des Originals und dem rechten Intervall verstreicht.

PROGRAMM	ANZAHL	RÜCKKOPPLUNG	STEUERUNG ÜBER MIDI
PITCHCHANGE A	1 NOTE	JA	JA
PITCH CHANGE B	2 NOTEN (MITTE)	NEIN	NEIN
PITCH CHANGE C	2 NOTEN (EINE RECHTS, EINE LINKS)	NEIN	NEIN

20. PAN

Dieses Programm generiert Panorama-Effekte, d.h. es läßt die eingegebenen Sounds abwechselnd über den rechten und linken bzw. über die Mitte kommen.

PAN SPEED (Panoramageschwindigkeit):

0,1 - 20,0Hz

Die Geschwindigkeit, mit der der Sound vom einen zum anderen Kanal wechselt.

DIRECTION (Richtung): L→R, L←R, L↔R

Hier kann man bestimmen, ob der Effekte immer von einem Kanal zum anderen wechselt, oder sich hin- und herbewegt.

DEPTH (Panorama-Intensität): 0 - 100%

Dieser Parameter bestimmt, ob der Effekt nachhaltig (hoher Wert) oder nur leicht (niedriger Wert) hörbar sein soll.

21. DISTORTION

Mit dem DISTORTION-Effekt lassen sich alle gängigen Distortion Sounds erzielen, so daß man ihn für alle Stilrichtungen und Gitarristen einsetzen kann. Die Palette reicht von leichter Übersteuerung bis zum schwärzesten Heavy Metal.

DISTORTION (Verzerrung): 0 – 100%

Wenn Sie 0% einstellen, ist der Sound so gut wie "clean". Bei 100% hingegen ist der Effektanteil am größten.

MID FRQ. (Frequenz der Mitten): 560Hz, 800Hz, 1,0kHz, 1,5kHz, 2,0kHz

Hier stellt man die Frequenz ein, die man mittels MID GAIN entweder anheben oder absenken möchte.

MID GAIN (Anhebung der Mitten): – 12 – + 12 dB

Mit diesem Parameter hebt man die mittels MID FRQ angewählte Frequenz entweder an (positiver Bereich), oder senkt sie (negativer Wert).

TREBLE (Anhebung der Höhen): – 12 – + 12 dB

Hiermit kann man die hohen Frequenzen entweder anheben oder absenken.

TRG LEVEL (Trigger Pegel): 1 – 100

Die zum Auslösen des Effekts erforderliche Amplitude. Gemeinsam mit dem RELEASE-Parameter kann man TRG LEVEL auch zu Noise Gate-Zwecken einsetzen, um Rauschen zu unterdrücken.

RELEASE (Ausklingzeit): 5 – 32.000 ms

Die Verzerrungs-Dauer, nachdem das Signal unter den Trigger Level abgesunken ist. Wenn richtig eingestellt, klingt der verzerrte Instrument-Sound sehr natürlich aus.

22. DIST. + REV HALL

23. DIST. + REV PLATE

DISTORTION (Verzerrung): 0 – 100%

Die Verzerrungs-Intensität.

REV BAL (Balance des Reverbs): 0 – 100%

Der Reverb-Anteil, der dem Distortion-Effekt zugemischt wird.

PRE DLY (Vorverzögerung des Rev.): 0,1 – 50,0 ms

Die Zeitspanne, die zwischen der Eingabe des Signals und der Aktivierung des Reverbs verstreicht.

REV TIME (Nachhalldauer): 0,3 – 99,0 s

Die Zeit, die vergeht, bis der Pegel eines Signals mit einer Frequenz von 1kHz um 60dB absinkt.

HIGH (Rev. – Anteil der Höhen): 0,1 – 1,0

Den Effekt-Anteil der Höhen (die ja schneller absorbiert werden) kann man getrennt regeln.

TRG.LEVEL (Trigger Pegel): 1 – 100

Die zum Auslösen des Effekts erforderliche Amplitude. Gemeinsam mit dem RELEASE-Parameter kann man TRG LEVEL auch zu Noise Gate-Zwecken einsetzen, um Rauschen zu unterdrücken.

RELEASE (Ausklingzeit): 5 – 32.000 ms

Die Verzerrungs-Dauer, nachdem das Signal unter den Trigger Level abgesunken ist. Wenn richtig eingestellt, klingt der verzerrte Instrument-Sound sehr natürlich aus.

24. DIST. + GATE REV

25. D. + REVERSE GATE

DISTORTION (Verzerrung): 0 – 100%

Die Verzerrungs-Intensität.

E/R BAL (Balance der Erstrefl.): 0 – 100%

Die Intensität des Gate Reverbs oder der Reverse Gate.

TONE (Frequenzanhebung): 560Hz, 800Hz, 1,0kHz, 1,5kHz, 2,0kHz

Mit diesem Parameter stellt man die Frequenz ein, die besonders hervorgehoben werden soll.

TYPE (Erstrefl. – Art): HALL/RANDOM/ REVERSE/PLATE

Die verschiedenen Erstreflexionsarten, die Sie auswählen können.

ROOM SIZE (Raumgröße): 0,1 – 20,0

Die Zeitintervalle zwischen den einzelnen Erstreflexionen.

LIVENESS (Lebendigkeit): 0 – 10

Wenn Sie den Wert dieses Parameters erhöhen, klingt der "Raum" nicht mehr so tot wie bei einer Einstellung auf 0.

DELAY (Verzögerung): 0,1 – 400,0 ms

Die Zeitspanne zwischen dem Eintreffen des trockenen Signals und den Erstreflexionen.

TRG. LEVEL (Trigger Pegel): 1 – 100

Die zum Auslösen des Effekts erforderliche Amplitude. Gemeinsam mit dem RELEASE-Parameter kann man diesen Parameter zu Noise Gate-Zwecken einsetzen, wodurch Rauschen unterdrückt wird. Stellen Sie TRG LEVEL so ein, daß nur das gewünschte Signal den Effekt auslöst.

RELEASE (Ausklangzeit): 5 – 32.000 ms

Die Dauer, für die der Effekt noch angehalten wird, nachdem das trockene Signal unter den TRG LEVEL abgesunken ist. Achten Sie auf eine möglichst exakte Programmierung von RELEASE, um den Sound natürlich zu gestalten.

26. DIST. + DELAY

DISTORTION (Verzerrungspegel): 0 – 100%

Die Intensität oder der Grad der Verzerrung.

DELAY BAL (Balance des Delays): 0 – 100%

Die Intensität des Delay- oder Echo-Effekts.

Lch DELAY (Verzögerung L): 0,1 – 500,0 ms

Die Zeitspanne zwischen dem Eintreffen des trockenen Signals und der ersten Wiederholung des linken Kanals.

Lch F.B (Rückkopplung L): –99% – +99%

Der Anteil des linken Delay-Effekts, der noch einmal zum Prozessor geschickt wird. Je höher der Wert, desto zahlreicher sind die Wiederholungen.

Rch DELAY (Verzögerung R): 0,1 – 500,0 ms

Die Zeitspanne zwischen dem Eintreffen des trockenen Signals und der ersten Wiederholung des rechten Kanals.

Rch F.B (Rückkopplung R): –99% – +99%

Der Anteil des rechten Delay-Effekts, der noch einmal zum Prozessor geschickt wird. Je höher der Wert, desto zahlreicher sind die Wiederholungen.

HIGH (Rückkopplung der Höhen): 0,1 – 1,0

Je geringer dieser Wert, desto seltener sind die Wiederholungen der Höhen.

MID FRQ. (Frequenz der Mitten): 560Hz, 800Hz, 1,0kHz, 1,5kHz, 2,0kHz

Die Frequenz, die man mittels MID GAIN anheben bzw. absenken möchte.

MID GAIN (Anhebung der Mitten): –12 – +12 dB

Dieser Parameter hebt die mittels MID FRQ. eingestellte Frequenz an bzw. senkt sie ab. Beträgt der Wert 0, so wird die Frequenz nicht verändert. Bei negativen Werten, wird die MID-Frequenz abgesenkt und bei positiven Werten angehoben.

TRG LEVEL (Trigger Pegel): 1 – 100

Die zum Auslösen des Effekts erforderlich Amplitude. Stellen Sie TRG LEVEL so ein, daß nur das gewünschte Signal den Effekt auslöst.

27. DIST. + ECHO

DISTORTION (Verzerrungspegel): 0 – 100%

Die Intensität oder der Grad der Verzerrung.

ECHO BAL (Balance des Echos): 0 – 100%

Die Intensität des Echo-Effekts.

Lch DELAY (Verzögerung L): 0,1 – 250,0 ms

Die Zeitspanne zwischen dem Eintreffen des trockenen Signals und der ersten Wiederholung des linken Kanals.

Lch F.B (Rückkopplung L): –99% – +99%

Der Anteil des linken Echo-Effekts, der noch einmal zum Prozessor geschickt wird. Je höher der Wert, desto zahlreicher sind die Wiederholungen.

Rch DELAY (Verzögerung R): 0,1 – 250,0 ms

Die Zeitspanne zwischen dem Eintreffen des trockenen Signals und der ersten Wiederholung des rechten Kanals.

Rch F.B (Rückkopplung R): –99% – +99%

Der Anteil des rechten Echo-Effekts, der noch einmal zum Prozessor geschickt wird. Je höher der Wert, desto zahlreicher sind die Wiederholungen.

HIGH (Rückkopplung der Höhen): 0,1 – 1,0

Je geringer dieser Wert, desto seltener sind die Wiederholungen der Höhen.

**MID FRQ. (Frequenz der Mitten): 560Hz, 800Hz,
1,0kHz, 1,5kHz, 2,0kHz**

Die Frequenz, die man mittels MID GAIN anheben bzw. absenken möchte.

MID GAIN (Anhebung der Mitten): –12 – +12 dB

Dieser Parameter hebt die mittels MID FRQU. eingestellte Frequenz an bzw. senkt sie ab. Beträgt der Wert 0, so wird die Frequenz nicht verändert. Bei negativen Werten, wird die MID-Frequenz abgesenkt und bei positiven Werten angehoben.

TRG LEVEL (Trigger-Pegel): 1 – 100

Die zum Auslösen des Effekts erforderlich Amplitude. Stellen Sie TRG LEVEL so ein, daß nur das gewünschte Signal den Effekt auslöst.

28. DIST.FLANGE

DISTORTION (Verzerrungspegel): 0 – 100%

Die Intensität oder der Grad der Verzerrung.

FLANGE BAL (Balance des Flanging-Effekts): 0 – 100%

Die Intensität des oder Flanging-Effekts.

MOD. FRQ (Modulationsfrequenz): 0,1 – 20,0 Hz

Die Geschwindigkeit, mit der der Effekt moduliert wird.

MOD.DEPTH (Modulationsintensität): 0 – 100%

Der Grad der Verzögerungsvariation, d.h. der Tiefe des Effekts.

MOD. DLY (Modulationsverzögerung): 0,1 – 100,0 ms

Die Zeitspanne zwischen dem Eintreffen des trockenen Signals und dem Beginn des Flanging-Effekts.

F.B. GAIN (Rückkopplung): 0 – 99%

Der Anteil des Flanging-Signals, der noch einmal zum Prozessor gesendet wird. Je stärker die Rückkopplung, desto "herzhafter" ist der Flanging-Effekt.

TRG. LEVEL (Trigger Pegel): 1 – 100

Die zum Auslösen des Effekts erforderlich Amplitude. Gemeinsam mit dem RELEASE-Parameter kann man diesen Parameter zu Noise Gate-Zwecken einsetzen, wodurch Rauschen unterdrückt wird. Stellen Sie TRG LEVEL so ein, daß nur das gewünschte Signal den Effekt auslöst.

RELEASE (Ausklingszeit): 5 – 32.000 ms

Die Dauer, für die der Effekt noch angehalten wird, nachdem das trockene Signal unter den TRG LEVEL abgesunken ist. Achten Sie auf eine möglichst exakte Programmierung von RELEASE, um den Sound natürlich zu gestalten.

29. DIST. + CHORUS

DISTORTION (Verzerrungspegel): 0 – 100%

Die Intensität oder der Grad der Verzerrung.

CHORUS BAL (Balance des Chorus-Effekts): 0 – 100%

Die Intensität des oder Chorus-Effekts.

MOD. FRQ. (Modulationsfrequenz): 0,1 – 20,0Hz

Die Geschwindigkeit, mit der der Effekt moduliert wird.

DM DEPTH (Delay-Modulationsintens.): 0 – 100%

Mit diesem Parameter regelt man die Intensität des Chorus-Effekts.

AM DEPTH (Amplituden-Modulationsintens.): 0 – 100%

Die Intensität, mit der die Amplitude, d.h. der Pegel variiert wird.

TRG. LEVEL (Trigger Pegel): 1 – 100

Die zum Auslösen des Effekts erforderlich Amplitude. Gemeinsam mit dem RELEASE-Parameter kann man diesen Parameter zu Noise Gate-Zwecken einsetzen, wodurch Rauschen unterdrückt wird. Stellen Sie TRG LEVEL so ein, daß nur das gewünschte Signal den Effekt auslöst.

RELEASE (Ausklingszeit): 5 – 32.000 ms

Die Dauer, für die der Effekt noch angehalten wird, nachdem das trockene Signal unter den TRG LEVEL abgesunken ist. Achten Sie auf eine möglichst exakte Programmierung von RELEASE, um den Sound natürlich zu gestalten.

30. DIST. + SYMPHONIC

DISTORTION (Verzerrungspegel): 0 – 100%

Die Intensität oder der Grad der Verzerrung.

SYMPHO BAL (Balance des Symphonic-Effekts):

0 – 100%

Die Intensität des oder Symphonic-Effekts.

MOD FRQ. (Modulationsfrequenz): 0,1 – 20,0Hz

Die Geschwindigkeit, mit der der Effekt moduliert wird.

MOD. DEPTH (Modulationsintensität): 0 – 100%

Die Intensität des Effekts.

TRG. LEVEL (Trigger Pegel): 1 – 100

Die zum Auslösen des Effekts erforderliche Amplitude. Gemeinsam mit dem RELEASE-Parameter kann man diesen Parameter zu Noise Gate-Zwecken einsetzen, wodurch Rauschen unterdrückt wird. Stellen Sie TRG LEVEL so ein, daß nur das gewünschte Signal den Effekt auslöst.

RELEASE (Ausklingszeit): 5 – 32.000 ms

Die Dauer, für die der Effekt noch angehalten wird, nachdem das trockene signal unter den TRG LEVEL abgesunken ist. Achten Sie auf eine möglichst exakte Programmierung von RELEASE, um den Sound natürlich zu gestalten.

4. DIE UTILITY-TASTE

Wenn man auf UTILITY drückt, stellt einem das REX50 ein paar Hilfsparameter zur Verfügung. Genau wie die PARAM-Taste erreicht man den gewünschten Parameter jeweils dadurch, daß man die UTILITY-Taste ein oder mehrere Male drückt. Zuletzt verläßt man die UTILITY-Betriebsart wieder.

TITLE EDIT → MIDI CONTROL → MIDI PROG CHANGE → F.SW MEMORY RCL RANGE →
→ verlassen von UTILITY → TITLE EDIT

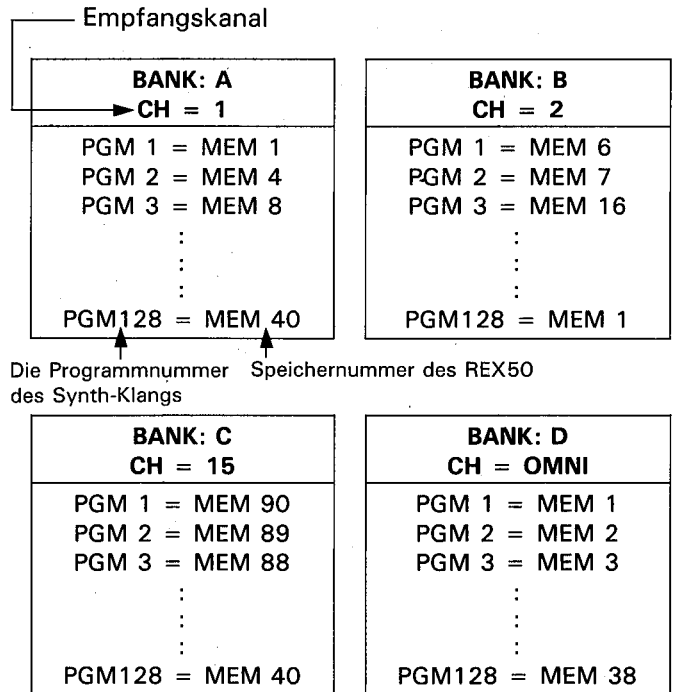
TITLE EDIT

Mit dieser Funktion kann man jedem Programm einen Namen geben. Sobald TITLE EDIT in der unteren Display-Zeile angezeigt wird und der Cursor unter der ersten Zeichenposition der oberen Zeile blinkt, können Sie das erste Zeichen eingeben. Mit der MEMORY bzw. der STORE-Taste kann man den Cursor vor- oder rückwärts bewegen. Mit Δ und ▽ wählt man jeweils die Zeichen, daß man für die angezeigte Zeichenposition braucht. Tragen Sie also nacheinander alle Zeichen ein (auch die Leerstellen), indem Sie den Cursor jeweils zur nächsten Zeichenposition führen. Es stehen folgende Zeichen zur Verfügung:

「	」	”	°	—	ア	ァ	イ	ィ	ウ	ゥ	エ	ェ	オ	ォ	カ	キ	ク
ケ	コ	サ	シ	ス	セ	ソ	タ	チ	ツ	ッ	テ	ト	ナ	ニ	ヌ	ネ	ノ
ハ	ヒ	フ	ヘ	ホ	マ	ミ	ム	メ	モ	ヤ	ャ	ユ	ュ	ヨ	ョ	ラ	リ
ル	レ	ロ	ワ	ヲ	ン		#	0	1	2	3	4	5	6	7	8	9
	A	B	C	D	E	F	G	H	I	J	K	L	M	N	O	P	Q
R	S	T	U	V	W	X	Y	Z		a	ä	b	c	d	e	f	g
h	i	j	k	l	m	n	o	ö	p	q	r	s	t	u	ü	v	w
x	y	z		[]	<	>	:	.	*	+	-	=	&	/	,	.
'	%	!	?	→	←												

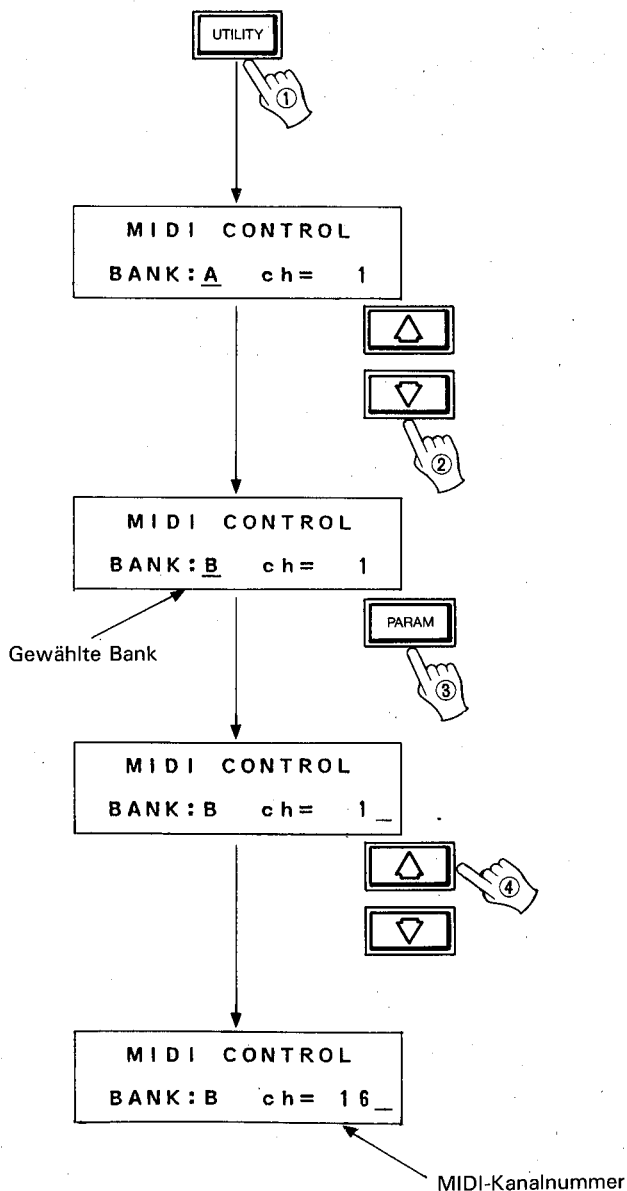
MIDI BANK & KANAL-ZUTEILUNG

Bestimmte Programme des REX50 kann man über MIDI anwählen. Zum Beispiel kann man das REX50 so programmieren, daß immer der optimale Effekte für den jeweils angewählten Synthesizerklang automatisch mit eingestellt wird. Das geschieht folgendermaßen: Sobald Sie auf dem Synthi einen anderen Klang anwählen, wird eine MIDI-Programmwechselnummer gesendet, die das REX50 – sofern Sie seine MIDI IN-Buchse mit der MIDI OUT-Buchse des Synthesizers verbunden haben – empfängt. Die Programmwechselnummer kann entweder direkt verwertet oder zuerst in eine andere Nummer (die man programmiert) umgewandelt werden. Daneben kann man aber mit TASTE AN-Meldungen (also dadurch, daß man eine bestimmte Note spielt) auch die Gate- und Pitch-Effekte vom Synthi aus steuern. Das REX50 bietet vier Bänke, die man mit den Daten Programmwechsel-/REX-Speichernummer versehen kann. Die Bänke heißen A, B, C und D. Jeder Bank kann man eine andere MIDI-Kanalnummer zuordnen und dann von vier verschiedenen Geräten aus denselben Speicher mit jeweils einer anderen Programmwechselnummer abrufen:



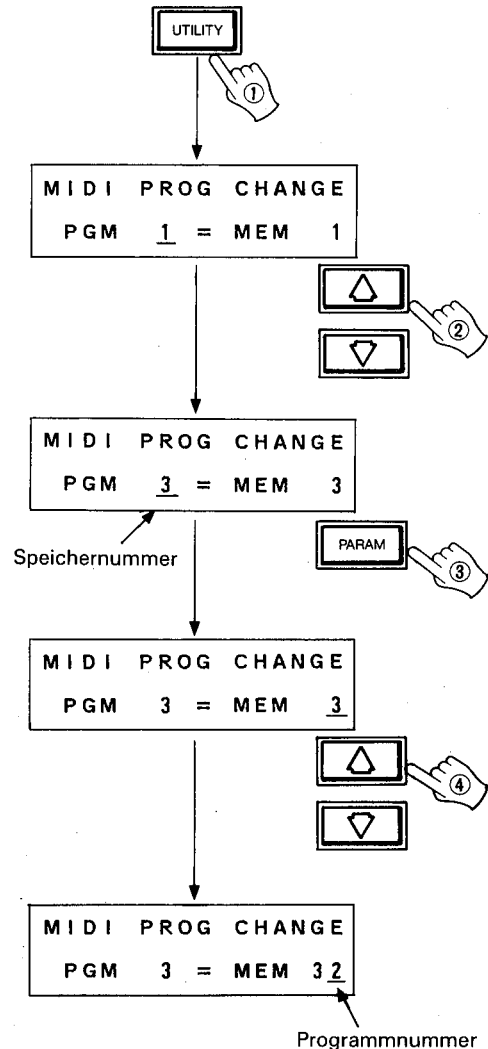
1 Wahl der Bank und des MIDI-Kanals

- 1 Drücken Sie wiederholt auf UTILITY, bis die Funktion MIDI CONTROL im Display erscheint (die zweite Funktion).
- 2 Gebrauchen Sie die Δ bzw. ∇ Taste, um die Bank anzuwählen.
- 3 Drücken Sie auf PARAM, um den Cursor zum "ch"-Parameter im Display zu führen.
- 4 Mit Hilfe der Δ und ∇ Taste können Sie nun die Nummer des MIDI-Kanals (1-16) programmieren, oder den Empfang unmöglich machen (OFF).
- 5 Drücken Sie noch einmal auf PARAM, um den Cursor wieder zu "BANK" zu führen. Nun können Sie eine andere Bank abrufen.



2 Zuordnung Klang-Speicher

- 1 Drücken Sie wiederholt auf UTILITY, bis MIDI PROG CHANGE im Display angezeigt wird (die dritte Funktion).
- 2 Mit Hilfe der Δ bzw. ∇ Taste können Sie nun die Nummer des Syntheseklangs einstellen, dem Sie einen REX-Speicher zuordnen möchten. Der Einstellbereich liegt bei 1-128. Bitte lesen Sie im MIDI-Kapitel der Bedienungsanleitung nach, wie sich die Programmwechselnummer zu der Klangnummer verhält (nicht immer 1:1).
- 3 Drücken Sie auf PARAM, um den Cursor zu "MEM" zu führen.
- 4 Mit Hilfe der Δ bzw. ∇ Taste können Sie nun die Nummer des REX-Speichers programmieren, der mit dem zuvor eingestellten Programmwechsel angewählt werden soll.
- 5 Drücken Sie noch einmal auf PARAM, um den Cursor wieder zu PARAM zu führen und weitere Zuordnungen vorzunehmen.



F. SW MEMORY RECALL RANGE

HINWEIS: Die Zuordnung Klang-Speicher wird in der Bank abgelegt, die Sie angewählt haben (MIDI CONTROL-Funktion). Um Zuordnungen für eine andere Bank programmieren zu können, müssen Sie letztere zuerst einstellen, d.h. zuerst wieder zur MIDI CONTROL-Funktion wechseln.

Mit dem REX50 kann man die Programme auch per Fuß anwählen. Hierfür muß ein FC4 oder FC5 Fußschalter von Yamaha an die MEMORY-Buchse angeschlossen werden. Um nun die Speichergruppe zu programmieren, die Sie per Fuß abrufen möchten, müssen Sie wiederholt auf UTILITY drücken, bis "F.SW MEMORY RCL" angezeigt wird.

F. SW MEMORY RCL
RANGE 31 TO 35

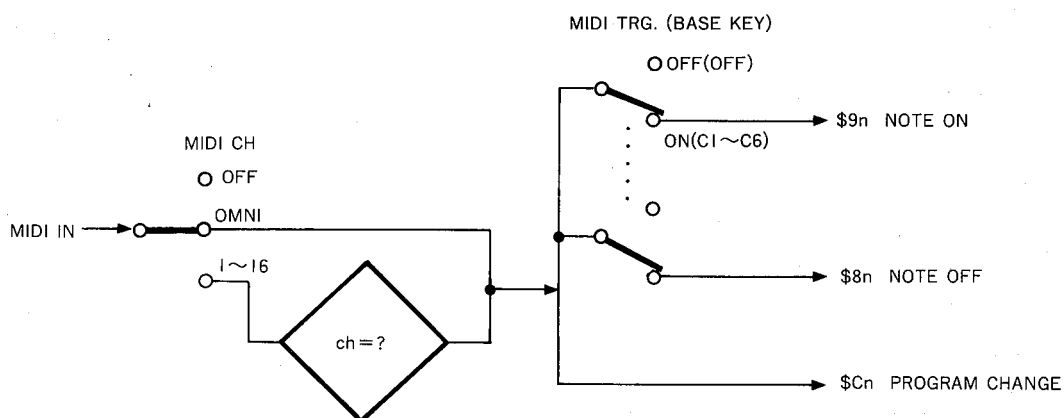
"RANGE 31 TO 35" bedeutet, daß Sie nun nacheinander die Speicher 31, 32, 33, 34 und 35 anwählen können. Natürlich kann man auch die Festspeicher per Fuß abrufen. z.B. können Sie "RANGE 1 TO 30" programmieren. Sobald Sie bei Speicher Nr. 30 angelangt sind, wählen mit dem nächsten Druck wieder Speicher 1 an. Man kann ebenfalls eine umgekehrte Reihenfolge programmieren:

F. SW MEMORY RCL
RANGE 35 TO 31

Hier geht man also von Speicher 35 → 34, 34 → 33, 33 → 32, 32 → 31 und wieder zu 35 off.

5. DAS MIDI-DATENFORMAT

1. Empfangsbedingungen



2. Empfangene Daten

2.1. Kanalmeldungen

1) Kanalklangmeldungen

① TASTE AN (NOTE ON)

Wird empfangen, wenn der MIDI-Kanal für die angewählte (REX50-)Bank gilt.

Wenn der MIDI TRG-Parameter aktiviert ist, so empfangen die Programme 14 (ADR-NOISE GATE) und 16 (REVERB & GATE) jede TASTE AN-Meldung und werden getriggert.

Für Speicher Nr. 17 (PITCH CHANGE A) gilt, daß die Tonhöhe der gedrückten Taste (die Notenummer) das Intervall steuert. Ist der Wert für BASE KEY "OFF", so kann man PITCH CHANGE A nicht über MIDI antriggern.

STATUS 1001nnnn (9nH) n = 0 (= Kanal 1)
 - 15 (=Kanal 16)
 NOTENNR. 0kkkkkkk k = 0 (C-2)-127
 (G8)
 ANSCHLAG 0vvvvvvv v = 0-127

② TASTE AUS (NOTE OFF)

Obwohl diese Meldungen den REX50 nicht direkt beeinflussen, braucht man sie, um TASTE AUS (NOTE OFF) Meldungen zu empfangen. Die Bedingungen der TASTE AUS-Meldungen sind dieselben für TASTE AN-Meldungen (s.o.)

STATUS 1000nnnn (8nH) n = 0 (= Kanal 1)
 - 15 (=Kanal 16)
 NOTENNR. 0kkkkkkk k = 0 (C-2)-127
 (G8)
 ANSCHLAG 0vvvvvvv v = 0-127

③ PROGRAMMWECHSEL (PROGRAM CHANGE)

Programmwechsel werden nur empfangen, wenn sie über den für angewählte Bank programmierten MIDI-Kanal kommen. Der der Programmwechselnummer zugeordnete Speicher wird automatisch abgerufen.

STATUS 1100nnnn (CnH) n = 0 (= Kanal 1)
 - 15 (=Kanal 16)
 Progr.NR. 0ppppppp p = 0-127

Function ...	Recognized	Remarks
Basic Default	1 - 16	memorized
Channel Changed	1 - 16	
Mode Default	OMNI OFF/OMNI ON	memorized
Messages	x	
Altered	x	
Note Number : True voice	o 0 - 127 x	X1
Velocity Note ON	x	
Velocity Note OFF	x	
After Key's	x	
Touch Ch's	x	
Pitch Bender	x	
	x	
Control		
Change		
Prog Change : True #	o 0 - 127 x	X2
System Exclusive	x	
System : Song Pos	x	
System : Song Sel	x	
Common : Tune	x	
System : Clock	x	
Real Time : Commands	x	
Aux : Local ON/OFF	x	
Aux : All Notes OFF	x	
Mes- : Active Sense	x	
sages:Reset	x	
Notes	X1 Note ON/OFF is recognized only for pitch change. X2 For program 1 - 128, memory #1 - #90 is selected.	

6. TECHNISCHE DATEN

ELEKTRISCHE WERTE

Frequenzgang	20Hz-12kHz
Dynamikbereich	Effekt: 74dB Trocken: 80dB
Verzerrung	max. 0.1% @ bei 1kHz

EINGANGSSTUFE

Anzahl Kanäle	2, unsymmetrisch, Klinkenbuchsen
Nennpegel	-10dBm
Impedanz	< 500kΩ
Pegelregler	Stufenlos
Pegelanzeige	LED-Kette mit 3 Seg- menten

A/D, D/A-UMWANDLUNG

Kanäle	1
Abtastfr	31, 25 kHz
Auflösung	16 Bit

AUSGANGSSTUFE

Anzahl Kanäle	2, unsymmetrisch, (Klinkenbuchse)
Nennpegel	-10dBm
Impedanz	> 10kΩ
Mischverhältnis	nur Effekt, Effekt + trockenes Signal, trocke- nes Sign.

SPEICHER

Festsp. (ROM)	1-30
Benutzer (RAM)	31-90 (mit Lithium- batterie)

MIDI-STEUERUNG

Speicherwahl (1-90)
über Programmwechsel-
nummer
MIDI-Trigger der
Programme 14 und 16
Intervallsteuerung von
Programm 17

VORDERSEITE

Tasten	MEMORY, PARAM, ERHÖHEN, VERRIN- GERN, STORE, RECALL, UTILITY, BYPASS
Display	16 Zeichenpos., 2 Zei- len, LCD 2 Zahlen, 7 Segmente, LED

RÜCKSEITE

Regler	Level
Buchsen für Fußsch.	BYPASS, MEMORY
INPUT, OUTPUT	1/4", Klinkenbuchsen
MIDI-Buchse	IN
STEREO MIX-Schalter	ON, OFF

ALLGEMEINES

Strom	U.S.A & Kanada: 120 VAC, 15W Universalausf.: 220-240 V, 15W
Abmessungen:	274 × 44 × 196,2mm
Gewicht	1,7 kg

* 0 dB = 0,775 V rms

* Änderungen der technischen Daten ohne Vorankündigung
vorbehalten

7. ROM-INHALT UND REGELBARE PARAMETER

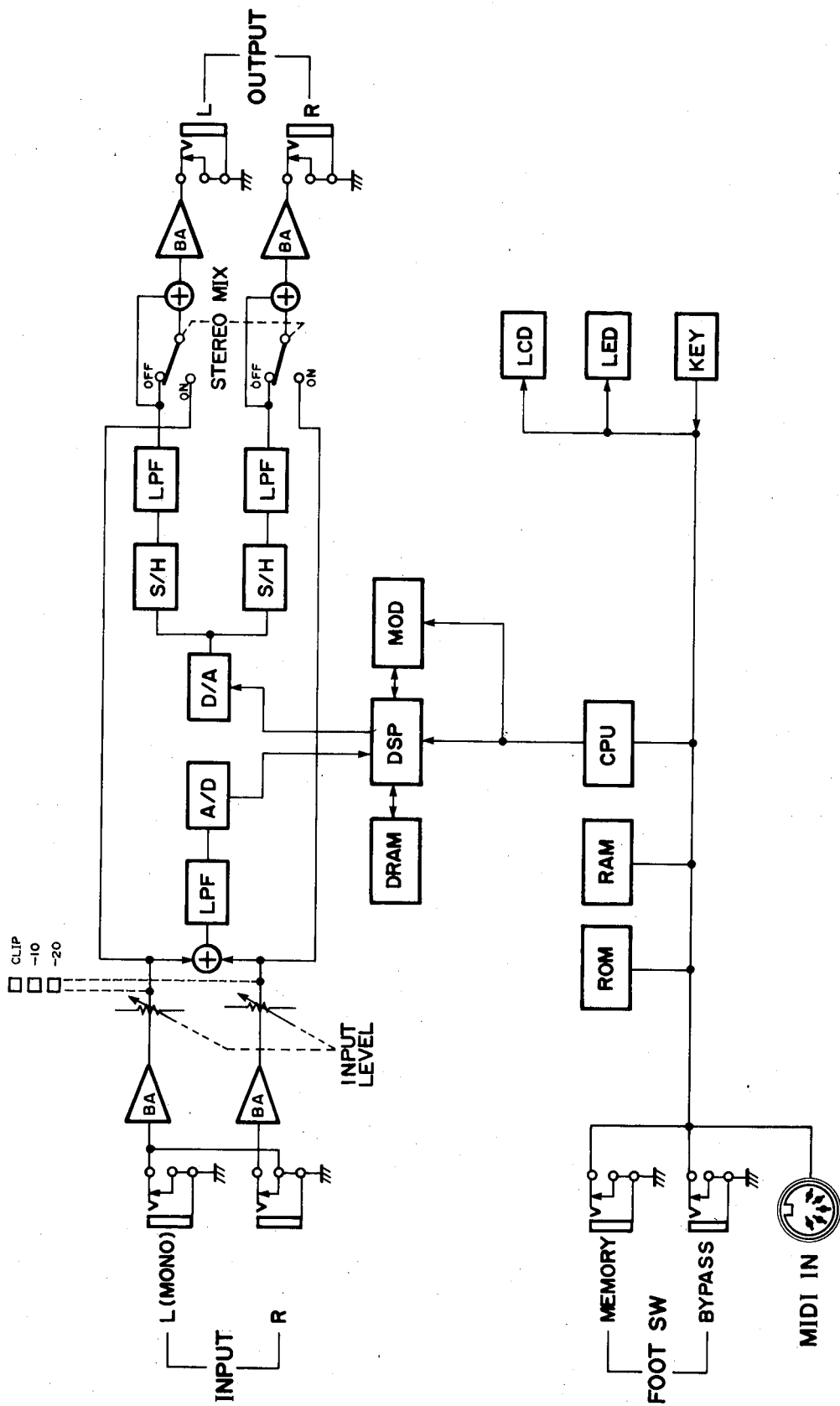
Sp.-Nr.	Programmname	PARAMETERS					
		1	2	3	4	5	6
1	REV 1 HALL	REV TIME	HIGH	DELAY	HPF	LPF	BALANCE
		0.3-99.0s 2.6s	0.1-1.0 0.6	0.1-50.0ms 30.0ms	THRU, 32Hz-1.0kHz THRU	1.0-11kHz, THRU 8.0kHz	0-100% 100%
2	REV 2 ROOM	REV TIME	HIGH	DELAY	HPF	LPF	BALANCE
		0.3-99.0s 1.5s	0.1-1.0 0.7	0.1-50.0ms 20.0ms	THRU, 32Hz-1.0kHz THRU	1.0-11kHz, THRU 8.0kHz	0-100% 100%
3	REV 3 VOCAL	REV TIME	HIGH	DELAY	HPF	LPF	BALANCE
		0.3-99.0s 2.4s	0.1-1.0 0.5	0.1-50.0ms 45.0ms	THRU, 32Hz-1.0kHz 80Hz	1.0-11kHz, THRU 8.0kHz	0-100% 100%
4	REV 4 PLATE	REV TIME	HIGH	DELAY	HPF	LPF	BALANCE
		0.3-99.0s 1.8s	0.1-1.0 0.7	0.1-50.0ms 10.0ms	THRU, 32Hz-1.0kHz 40Hz	1.0-11kHz, THRU 10kHz	0-100% 100%
5	EARLY REF. 1	TYPE	ROOM SIZE	LIVENESS	DELAY	LPF	BALANCE
		HALL, RANDOM REVERSE, PLATE HALL	0.1-20.0 2.0	0-10 5	0.1-400.0ms 10.0ms	1.0-11kHz, THRU THRU	0-100% 100%
6	GATE REVERB	TYPE	ROOM SIZE	LIVENESS	DELAY	LPF	BALANCE
		HALL, RANDOM REVERSE, PLATE RANDOM	0.1-20.0 2.0	0-10 5	0.1-400.0ms 20.0ms	1.0-11kHz, THRU 6.3kHz	0-100% 100%
7	DELAY L, R	Lch DLY	Lch F.B	Rch DLY	Rch F.B	HIGH	BALANCE
		0.1-500.0ms 100.0ms	-99-+99% +0%	0.1-500.0ms 200.0ms	-99-+99% +0%	0.1-1.0 1.0	0-100% 100%
8	STEREO ECHO	Lch DLY	Lch F.B	Rch DLY	Rch F.B	HIGH	BALANCE
		0.1-250.0ms 170.0ms	-99-+99% +60%	0.1-250.0ms 178.0ms	-99-+99% +58%	0.1-1.0 0.9	0-100% 100%
9	STEREO FLANGE	MOD. FRQ	MOD. DEPTH	MOD. DLY	F.B. GAIN	BALANCE	OUT LVL
		0.1-20.0Hz 2.5Hz	0-100% 50%	0.1-100.0ms 1.2ms	0-99% 35%	0-100% 100%	0-100% 100%
10	CHORUS	MOD. FRQ	DM DEPTH	AM DEPTH	BALANCE	OUT LVL	
		0.1-20.0Hz 0.2Hz	0-100% 50%	0-100% 40%	0-100% 100%	0-100% 100%	
11	STEREO PHASING	MOD. FRQ	MOD. DEPTH	MOD. DLY	BALANCE	OUT LVL	
		0.1-20.0Hz 1.1kHz	0-100% 100%	0.1-8.0ms 3.0ms	0-100% 100%	0-100% 100%	
12	SYMPHONIC	MOD. FRQ	MOD. DEPTH	BALANCE	OUT LVL		
		0.1-20.0Hz 0.7Hz	0-100% 100%	0-100% 100%	0-100% 100%		
13	REVERSE GATE	TYPE	ROOM SIZE	LIVENESS	DELAY	LPF	BALANCE
		HALL, RANDOM REVERSE, PLATE REVERSE	0.1-20.0 3.3	0-10 5	0.1-400.0ms 25.0ms	1.0-11kHz, THRU THRU	0-100% 100%
14	ADR-NOISE GATE	TRG. LEVEL	TRG. DLY	TRG. MSK	ATTACK	DECAY	DECAY LVL
		1-100 65	-100-+100ms -7ms	5-3200ms 5ms	5-3200ms 5ms	5-3200ms 5ms	0-100% 100%
15	COMPRESSOR	ATTACK	RELEASE	THRESHOLD	RATIO	DET. DLY	DELAY
		1-40ms 19ms	10-2000ms 200ms	-48-+6dB -24dB	1.0-20.0 7.0	-50.0-+50.0ms +0.0ms	0.1-400.0ms 0.1ms
16	REVERB & GATE	REV TIME	HIGH	DELAY	HPF	LPF	TRG. LEVEL
		0.3-99.0s 2.0s	0.1-1.0 0.6	0.1-50.0ms 10.0ms	THRU, 32Hz-1.0kHz THRU	1.0-11kHz, THRU THRU	1-100 65
17	PITCH CHANGE A	PITCH	FINE	DELAY	F.B. GAIN	BASE KEY	BALANCE
		-12-+12 +0	-100-+100 +0	0.1-400.0ms 0.1ms	0-99% 0%	OFF, C1-C6 C3	0-100% 100%
18	PITCH CHANGE B	1 PITCH	1 FINE	1 DLY	2 PITCH	2 FINE	2 DLY
		-12-+12 +0	-100-+100 +8	0.1-400.0ms 0.1ms	-12-+12 +0	-100-+100 -8	0.1-400.0ms 20.0ms
19	PITCH CHANGE C	L PITCH	L FINE	L DLY	R PITCH	R FINE	R DLY
		-12-+12 +0	-100-+100 +8	0.1-200.0ms 0.1ms	-12-+12 +0	-100-+100 -8	0.1-200.0ms 0.1ms
20	PAN	PAN SPEED	DIRECTION	DEPTH	BALANCE	OUT LVL	
		0.1-20.0Hz 0.7Hz	L-R, L+R, L-R L-R	0-100% 75%	0-100% 100%	0-100% 100%	
21	DISTORTION	DISTORTION	MID FRQ.	MID GAIN	TREBLE	TRG. LEVEL	RELEASE
		0-100% 100%	560Hz-2.0kHz 2.0kHz	-12-+12dB +0dB	+12-+12dB +6dB	1-100 35	5-3200ms 105ms
22	DIST. + REV HALL	DISTORTION	REV BAL	PRE DLY	REV TIME	HIGH	TRG. LEVEL
		0-100% 75%	0-100% 15%	0.1-50.0ms 30.0ms	0.3-99.0s 2.6s	0.1-1.0 0.5	1-100 35
23	DIST. + REV PLATE	DISTORTION	REV BAL	PRE DLY	REV TIME	HIGH	TRG. LEVEL
		0-100% 60%	0-100% 10%	0.1-50.0ms 30.0ms	0.3-99.0s 2.6s	0.1-1.0 0.5	1-100 35
24	DIST. + GATE REV	DISTORTION	E/R BAL	TOPE	TYPE	ROOM SIZE	LIVENESS
		0-100% 100%	0-100% 35%	560Hz-2.0kHz 1.0kHz	HALL, RANDOM REVERSE, PLATE RANDOM	0.1-20.0 2.0	0-10 5
25	DIST. + REVERSE GATE	DISTORTION	E/R BAL	TOPE	TYPE	ROOM SIZE	LIVENESS
		0-100% 100%	0-100% 35%	560Hz-2.0kHz 560Hz	HALL, RANDOM REVERSE, PLATE REVERSE	0.1-20.0 3.3	0-10 5
26	DIST. + DELAY	DISTORTION	DELAY BAL	Lch DLY	Lch F.B	Rch DLY	Rch F.B
		0-100% 100%	0-100% 15%	0.1-500.0ms 500.0ms	-99-+99% +12%	0.1-500.0ms 250.0ms	-99-+99% +12%
27	DIST. + ECHO	DISTORTION	ECHO BAL	Lch DLY	Lch F.B	Rch DLY	Rch F.B
		0-100% 60%	0-100% 25%	0.1-250.0ms 200.0ms	-99-+99% +20%	0.1-250.0ms 225.0ms	-99-+99% +20%
28	DIST. + FLANGE	DISTORTION	FLANGE BAL	MOD. FRQ	MOD. DEPTH	MOD. DLY	F.B. GAIN
		0-100% 80%	0-100% 100%	0.1-20.0Hz 0.8Hz	0-100% 30%	0.1-100.0ms 10.0ms	0-99% 25%
29	DIST. + CHORUS	DISTORTION	CHORUS BAL	MOD. FRQ	DM DEPTH	AM DEPTH	TRG. LEVEL
		0-100% 90%	0-100% 100%	0.1-20.0Hz 0.8Hz	0-100% 25%	0-100% 60%	1-100 35
30	DIST. + SYMPHONIC	DISTORTION	SYMPHO BAL	MOD. FRQ	MOD. DEPTH	TRG. LEVEL	RELEASE
		0-100% 80%	0-100% 50%	0.1-20.0Hz 0.7Hz	0-100% 20%	1-100 35	5-3200ms 105ms

NOTE

PARAMETER
RANGE
PRESET VALUE

7	8	9	10	11	12
OUT LVL					
0 - 100%					
100%					
OUT LVL					
0 - 100%					
100%					
OUT LVL					
0 - 100%					
100%					
OUT LVL					
0 - 100%					
100%					
OUT LVL					
0 - 100%					
100%					
OUT LVL					
0 - 100%					
100%					
OUT LVL					
0 - 100%					
100%					
OUT LVL					
0 - 100%					
100%					
OUT LVL					
0 - 100%					
100%					
OUT LVL					
0 - 100%					
100%					
OUT LVL					
0 - 100%					
100%					
OUT LVL					
0 - 100%					
100%					
OUT LVL					
0 - 100%					
100%					
HOLD	RELEASE	MIDI TRG.	BALANCE	OUT LVL	
1 - 3000ms	5 - 3200ms	ON, OFF	0 - 100%	0 - 100%	
90ms	5ms	OFF	100%	100%	
BALANCE	OUT LVL				
0 - 100%	0 - 100%				
100%	100%				
HOLD	RELEASE	MIDI TRG.	BALANCE	OUT LVL	
1 - 3000ms	5 - 3200ms	ON, OFF	0 - 100%	0 - 100%	
150ms	5ms	OFF	100%	100%	
OUT LVL					
0 - 100%					
100%					
BALANCE	OUT LVL				
0 - 100%	0 - 100%				
100%	100%				
BALANCE	OUT LVL				
0 - 100%	0 - 100%				
100%	100%				
BALANCE	OUT LVL				
0 - 100%	0 - 100%				
100%	100%				
BALANCE	OUT LVL				
0 - 100%	0 - 100%				
100%	100%				
BALANCE	OUT LVL				
0 - 100%	0 - 100%				
100%	100%				
RELEASE	BALANCE	OUT LVL			
5 - 3200ms	0 - 100%	0 - 100%			
105ms	100%	100%			
RELEASE	BALANCE	OUT LVL			
5 - 3200ms	0 - 100%	0 - 100%			
105ms	100%	100%			
DELAY	TRG. LEVEL	RELEASE	BALANCE	OUT LVL	
0.1 - 400.0ms	1 - 100	5 - 3200ms	0 - 100%	0 - 100%	
80.0ms	35	105ms	100%	100%	
DELAY	TRG. LEVEL	RELEASE	BALANCE	OUT LVL	
0.1 - 400.0ms	1 - 100	5 - 3200ms	0 - 100%	0 - 100%	
9.0ms	35	105ms	100%	100%	
HIGH	MID FRQ.	MID GAIN	TRG. LEVEL	BALANCE	OUT LVL
0.1 - 1.0	560Hz - 2.0kHz	-12dB ~ +12dB	1 - 100	0 - 100%	0 - 100%
1.0	560Hz	+0dB	35	100%	100%
HIGH	MID FRQ.	MID GAIN	TRG. LEVEL	BALANCE	OUT LVL
0.1 - 1.0	560Hz - 2.0kHz	-12dB ~ +12dB	1 - 100	0 - 100%	0 - 100%
0.9	800Hz	+0dB	35	100%	100%
TRG. LEVEL	RELEASE	BALANCE	OUT LVL		
1 - 100	5 - 3200ms	0 - 100%	0 - 100%		
35	105ms	100%	100%		
RELEASE	BALANCE	OUT LVL			
5 - 3200ms	0 - 100%	0 - 100%			
105ms	100%	100%			
BALANCE	OUT LVL				
0 - 100%	0 - 100%				
100%	100%				

8. BLOCKSCHALTBIKD



9. SPEICHERÜBERSICHT

YAMAHA **REX50**

ÜBERSICHT DER RAM-SPEICHER

Datum: _____

Programmierer: _____

Sp.-Nr.	Name	Sp.-Nr.	Name	Sp.-Nr.	Name
31		51		71	
32		52		72	
33		53		73	
34		54		74	
35		55		75	
36		56		76	
37		57		77	
38		58		78	
39		59		79	
40		60		80	
41		61		81	
42		62		82	
43		63		83	
44		64		84	
45		65		85	
46		66		86	
47		67		87	
48		68		88	
49		69		89	
50		70		90	

YAMAHA REX50 PROGRAMM-ÜBERSICHT

Speichernummer: _____

Datum: _____

Name: _____

Programmierer: _____

Parameter	Neuer Wert	Parameter	Neuer Wert

Anmerkungen: _____

Speichernummer: _____

Datum: _____

Name: _____

Programmierer: _____

Parameter	Neuer Wert	Parameter	Neuer Wert

Anmerkungen: _____

YAMAHA REX50

ZUORDNUNGSTABELLE DER PROGRAMMWECHSEL- UND SPEICHERNUMMERN

Datum: _____

Programmierer: _____



PGM 1	MEM	PGM 44	MEM	PGM 87	MEM
PGM 2	MEM	PGM 45	MEM	PGM 88	MEM
PGM 3	MEM	PGM 46	MEM	PGM 89	MEM
PGM 4	MEM	PGM 47	MEM	PGM 90	MEM
PGM 5	MEM	PGM 48	MEM	PGM 91	MEM
PGM 6	MEM	PGM 49	MEM	PGM 92	MEM
PGM 7	MEM	PGM 50	MEM	PGM 93	MEM
PGM 8	MEM	PGM 51	MEM	PGM 94	MEM
PGM 9	MEM	PGM 52	MEM	PGM 95	MEM
PGM 10	MEM	PGM 53	MEM	PGM 96	MEM
PGM 11	MEM	PGM 54	MEM	PGM 97	MEM
PGM 12	MEM	PGM 55	MEM	PGM 98	MEM
PGM 13	MEM	PGM 56	MEM	PGM 99	MEM
PGM 14	MEM	PGM 57	MEM	PGM 100	MEM
PGM 15	MEM	PGM 58	MEM	PGM 101	MEM
PGM 16	MEM	PGM 59	MEM	PGM 102	MEM
PGM 17	MEM	PGM 60	MEM	PGM 103	MEM
PGM 18	MEM	PGM 61	MEM	PGM 104	MEM
PGM 19	MEM	PGM 62	MEM	PGM 105	MEM
PGM 20	MEM	PGM 63	MEM	PGM 106	MEM
PGM 21	MEM	PGM 64	MEM	PGM 107	MEM
PGM 22	MEM	PGM 65	MEM	PGM 108	MEM
PGM 23	MEM	PGM 66	MEM	PGM 109	MEM
PGM 24	MEM	PGM 67	MEM	PGM 110	MEM
PGM 25	MEM	PGM 68	MEM	PGM 111	MEM
PGM 26	MEM	PGM 69	MEM	PGM 112	MEM
PGM 27	MEM	PGM 70	MEM	PGM 113	MEM
PGM 28	MEM	PGM 71	MEM	PGM 114	MEM
PGM 29	MEM	PGM 72	MEM	PGM 115	MEM
PGM 30	MEM	PGM 73	MEM	PGM 116	MEM
PGM 31	MEM	PGM 74	MEM	PGM 117	MEM
PGM 32	MEM	PGM 75	MEM	PGM 118	MEM
PGM 33	MEM	PGM 76	MEM	PGM 119	MEM
PGM 34	MEM	PGM 77	MEM	PGM 120	MEM
PGM 35	MEM	PGM 78	MEM	PGM 121	MEM
PGM 36	MEM	PGM 79	MEM	PGM 122	MEM
PGM 37	MEM	PGM 80	MEM	PGM 123	MEM
PGM 38	MEM	PGM 81	MEM	PGM 124	MEM
PGM 39	MEM	PGM 82	MEM	PGM 125	MEM
PGM 40	MEM	PGM 83	MEM	PGM 126	MEM
PGM 41	MEM	PGM 84	MEM	PGM 127	MEM
PGM 42	MEM	PGM 85	MEM	PGM 128	MEM
PGM 43	MEM	PGM 86	MEM		

KUNDENDIENST

Dem REX50 steht das weltweite Yamaha Kundendienstnetz mit qualifizierten Technikern zur Verfügung. Im Falle einer Störung sofort den Fachhandel in Ihrer Nähe benachrichtigen.

YAMAHA

YAMAHA CORPORATION
P.O.Box 1, Hamamatsu, Japan

88.10   Printed in Japan