



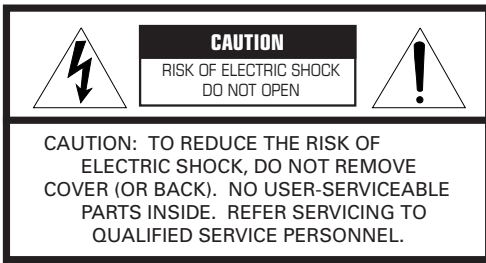
YST-SW320

Active Servo Processing Subwoofer System

Caisson de grave avec asservissement actif



**OWNER'S MANUAL
MODE D'EMPLOI**



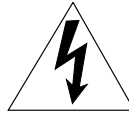
IMPORTANT
Please record the serial number of this system in the space below.

Model:

Serial No.:

The serial number is located on the rear of the main unit.
Retain this Owner's Manual in a safe place for future reference.

• Explanation of Graphical Symbols




The lightning flash with arrowhead symbol, within an equilateral triangle, is intended to alert you to the presence of uninsulated "dangerous voltage" within the product's enclosure that may be of sufficient magnitude to constitute a risk of electric shock to persons.



The exclamation point within an equilateral triangle is intended to alert you to the presence of important operating and maintenance (servicing) instructions in the literature accompanying the appliance.

WARNING
TO REDUCE THE RISK OF FIRE OR ELECTRIC SHOCK, DO NOT EXPOSE THIS APPLIANCE TO RAIN OR MOISTURE.

SAFETY INSTRUCTIONS

- 1 Read Instructions – All the safety and operating instructions should be read before the unit is operated.
- 2 Retain Instructions – The safety and operating instructions should be retained for future reference.
- 3 Heed Warnings – All warnings on the unit and in the operating instructions should be adhered to.
- 4 Follow Instructions – All operating and other instructions should be followed.
- 5 Water and Moisture – The unit should not be used near water – for example, near a bathtub, washbowl, kitchen sink, laundry tub, in a wet basement, or near a swimming pool, etc.
- 6 Carts and Stands – The unit should be used only with a cart or stand that is recommended by the manufacturer.
- 6A A unit and cart combination should be moved with care. Quick stops, excessive force, and uneven surfaces may cause the unit and cart combination to overturn. 
- 7 Wall or Ceiling Mounting – The unit should be mounted to a wall or ceiling only as recommended by the manufacturer.
- 8 Ventilation – The unit should be situated so that its location or position does not interfere with its proper ventilation. For example, the unit should not be situated on a bed, sofa, rug, or similar surface, that may block the ventilation openings; or placed in a built-in installation, such as a bookcase or cabinet that may impede the flow of air through the ventilation openings.
- 9 Heat – The unit should be situated away from heat sources such as radiators, stoves, or other appliances that produce heat.
- 10 Power Sources – The unit should be connected to a power supply only of the type described in the operating instructions or as marked on the unit.
- 11 Power-Cord Protection – Power-supply cords should be routed so that they are not likely to be walked on or pinched by items placed upon or against them, paying particular attention to cords at plugs, convenience receptacles, and the point where they exit from the unit.
- 12 Cleaning – The unit should be cleaned only as recommended by the manufacturer.
- 13 Nonuse Periods – The power cord of the unit should be unplugged from the outlet when left unused for a long period of time.
- 14 Object and Liquid Entry – Care should be taken so that objects do not fall into and liquids are not spilled into the inside of the unit.
- 15 Damage Requiring Service – The unit should be serviced by qualified service personnel when:
 - A. The power-supply cord or the plug has been damaged; or
 - B. Objects have fallen, or liquid has been spilled into the unit; or
 - C. The unit has been exposed to rain; or
 - D. The unit does not appear to operate normally or exhibits a marked change in performance; or
 - E. The unit has been dropped, or the cabinet damaged.
- 16 Servicing – The user should not attempt to service the unit beyond those means described in the operating instructions. All other servicing should be referred to qualified service personnel.
- 17 Power Lines – An outdoor antenna should be located away from power lines.
- 18 Grounding or Polarization – Precautions should be taken so that the grounding or polarization is not defeated.

FCC INFORMATION (for US customers only)

1. IMPORTANT NOTICE : DO NOT MODIFY THIS UNIT!

This product, when installed as indicated in the instructions contained in this manual, meets FCC requirements. Modifications not expressly approved by Yamaha may void your authority, granted by the FCC, to use the product.

2. IMPORTANT : When connecting this product to accessories and/or another product use only high quality shielded cables. Cable/s supplied with this product **MUST** be used. Follow all installation instructions. Failure to follow instructions could void your FCC authorization to use this product in the USA.

3. NOTE : This product has been tested and found to comply with the requirements listed in FCC Regulations, Part 15 for Class "B" digital devices. Compliance with these requirements provides a reasonable level of assurance that your use of this product in a residential environment will not result in harmful interference with other electronic devices.

This equipment generates/uses radio frequencies and, if not installed and used according to the instructions found in the users manual, may cause interference harmful to the operation of other electronic devices.

Compliance with FCC regulations does not guarantee that interference will not occur in all installations. If this product is found to be the source of interference, which can be determined by turning the unit "OFF" and "ON", please try to eliminate the problem by using one of the following measures:

Relocate either this product or the device that is being affected by the interference.

Utilize power outlets that are on different branch (circuit breaker or fuse) circuits or install AC line filter/s.

In the case of radio or TV interference, relocate/reorient the antenna. If the antenna lead-in is 300 ohm ribbon lead, change the lead-in to coaxial type cable.

If these corrective measures do not produce satisfactory results, please contact the local retailer authorized to distribute this type of product. If you can not locate the appropriate retailer, please contact Yamaha Electronics Corp., U.S.A. 6660 Orangethorpe Ave, Buena Park, CA 90620.

The above statements apply **ONLY** to those products distributed by Yamaha Corporation of America or its subsidiaries.

We Want You Listening For A Lifetime

YAMAHA and the Electronic Industries Association's Consumer Electronics Group want you to get the most out of your equipment by playing it at a safe level. One that lets the sound come through loud and clear without annoying blaring or distortion – and, most importantly, without affecting your sensitive hearing.

Since hearing damage from loud sounds is often undetectable until it is too late, YAMAHA and the Electronic Industries Association's Consumer Electronics Group recommend you to avoid prolonged exposure from excessive volume levels.



For Canadian Customers

To prevent electric shock, match wide blade of plug to wide slot and fully insert.

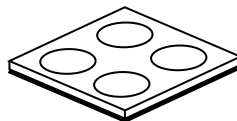
This Class B digital apparatus complies with Canadian ICES-003.

UNPACKING DEBALLAGE

After unpacking, check that the following item is contained.

Après le déballage, vérifier que la pièce suivante est incluse.

Nonskid pads
Patins anti-dérapages



CAUTION: Read this before operating your unit.

- To assure the finest performance, please read this manual carefully. Keep it in a safe place for future reference.
- Install this unit in a cool, dry, clean place – away from windows, heat sources, sources of excessive vibration, dust, moisture and cold. Avoid sources of humming (transformers, motors). To prevent fire or electrical shock, do not expose this unit to rain or water.
- Never open the cabinet. If something drops into the set, contact your dealer.
- To reduce the risk of fire or electric shock, do not expose this unit to rain or moisture.
- Do not use force on switches, controls or connection wires. When moving the unit, first disconnect the power plug and the wires connected to other equipments. Never pull the wires themselves.
- When not planning to use this unit for a long period (i.e., vacation, etc.), disconnect the AC power plug from the wall outlet.
- To prevent lightning damage, disconnect the AC power plug when there is an electric storm.
- Since this unit has a built-in power amplifier, heat will radiate from the rear panel. Place the unit apart from the walls, allowing enough spaces above, behind and on both sides of the unit to prevent fire or damage. Furthermore, do not position with the rear panel facing down on the floor or other surfaces.

<For U.K., Europe and China models only>

Be sure to allow spaces of at least 20 cm above, behind and on both sides of the unit.

- Do not cover the rear panel of this unit with a newspaper, a tablecloth, a curtain, etc. in order not to obstruct heat radiation. If the temperature inside the unit rises, it may cause fire, damage to the unit and/or personal injury.
- Do not place the following objects on this unit:
Glass, china, etc.
If glass etc. falls by vibrations and breaks, it may cause personal injury.
A burning candle etc.
If the candle falls by vibrations, it may cause fire and personal injury.
A vessel with water in it
If the vessel falls by vibrations and water spills, it may cause damage to the unit, and/or you may get an electric shock.
- Super-bass frequencies reproduced by this unit may cause a turntable to generate a howling sound. In such a case, move this unit away from the turntable.
- If you hear distorted noise (i.e., unnatural, intermittent “rapping” or “hammering” sounds) coming from this unit, reduce the volume level. Extremely loud playing of a movie soundtrack’s low frequency, bass-heavy sounds or similarly loud popular music passages can damage this speaker system.
- Vibration generated by super-bass frequencies may distort images on a TV. In such a case, move this unit away from the TV set.

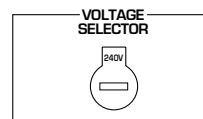
- Do not attempt to clean this unit with chemical solvents as this might damage the finish. Use a clean, dry cloth.
- Be sure to read the “TROUBLESHOOTING” section regarding common operating errors before concluding that the unit is faulty.

- **Secure placement or installation is the owner’s responsibility.**
YAMAHA shall not be liable for any accident caused by improper placement or installation of speakers.

● VOLTAGE SELECTOR (China and General models only)

The voltage selector switch on the rear panel of this unit must be set for your local main voltage BEFORE plugging this unit into the AC main supply.

Voltages are 110/120/220/240 V AC, 50/60 Hz.



For U.K. customers

If the socket outlets in the home are not suitable for the plug supplied with this appliance, it should be cut off and an appropriate 3 pin plug fitted. For details, refer to the instructions described below.

Note: The plug severed from the mains lead must be destroyed, as a plug with bared flexible cord is hazardous if engaged in a live socket outlet.

SPECIAL INSTRUCTIONS FOR U.K. MODEL

IMPORTANT:

THE WIRES IN MAINS LEAD ARE COLOURED IN ACCORDANCE WITH THE FOLLOWING CODE:

Blue: NEUTRAL

Brown: LIVE

As the colours of the wires in the mains lead of this apparatus may not correspond with the coloured markings identifying the terminals in your plug, proceed as follows: The wire which is coloured BLUE must be connected to the terminal which is marked with the letter N or coloured BLACK. The wire which is coloured BROWN must be connected to the terminal which is marked with the letter L or coloured RED. Making sure that neither core is connected to the earth terminal of the three pin plug.

Standby mode

When this unit is turned off by pressing the STANDBY/ON button on the front panel, this unit consumes a small amount of power. This state is called the standby mode. This unit’s power supply is completely cut off from the AC line only when the POWER switch on the rear panel is set in the OFF position or the AC power cord is disconnected.

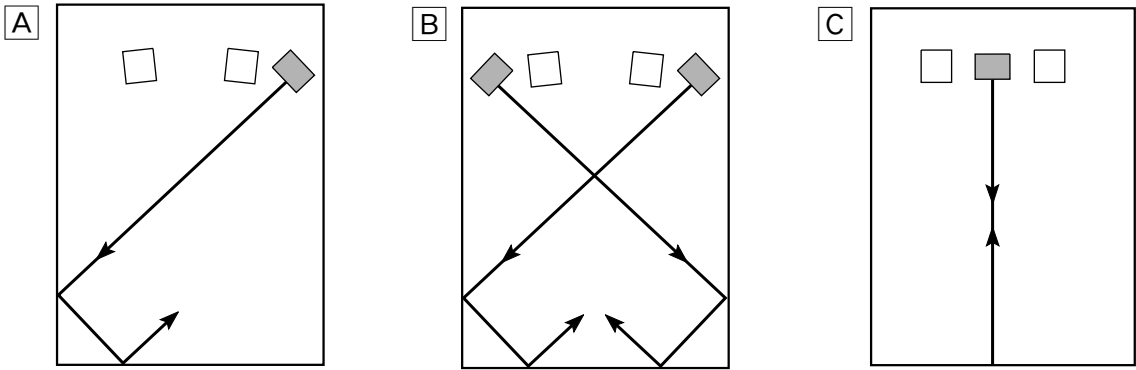
This unit features a magnetically shielded design, but there is still a chance that placing it too close to a TV set might impair picture color. Should this happen, move this unit away from the TV set.



CONTENTS

SAFETY INSTRUCTIONS	II	CONTROLS AND THEIR FUNCTIONS ...	8
UNPACKING	IV	AUTOMATIC POWER-SWITCHING	
CAUTION	1	FUNCTION	9
FEATURES	2	ADJUSTING THE SUBWOOFER	
PLACEMENT	3	BEFORE USE	10
CONNECTIONS	4	Frequency characteristics	11
Connecting to line output (pin jack)		ADVANCED YAMAHA ACTIVE SERVO	
terminals of the amplifier	4	TECHNOLOGY	12
Connecting to speaker output terminals		TROUBLESHOOTING	13
of the amplifier	6	SPECIFICATIONS	14

FEATURES

- This subwoofer system employs Advanced YAMAHA Active Servo Technology which YAMAHA has developed for reproducing higher quality super-bass sound. (Refer to page 12 for details on Advanced YAMAHA Active Servo Technology.) This super-bass sound adds a more realistic, theater-in-the-home effect to your stereo system.
- This subwoofer can be easily added to your existing audio system by connecting to either the speaker terminals or the line output (pin jack) terminals of the amplifier.
- For the effective use of this unit, this unit's super-bass sound should be matched to the sounds of your main speakers. You can create the best sound quality for various listening conditions by using the HIGH CUT control and the PHASE switch.
- The Automatic power-switching function saves you the trouble of pressing the STANDBY/ON button to turn the power on and off.
- You can select bass effect suitable for the source by using the BASS switch.



( : subwoofer,  : main speaker)

One subwoofer will have a good effect on your audio system, however, the use of two subwoofers is recommended to obtain more effect.

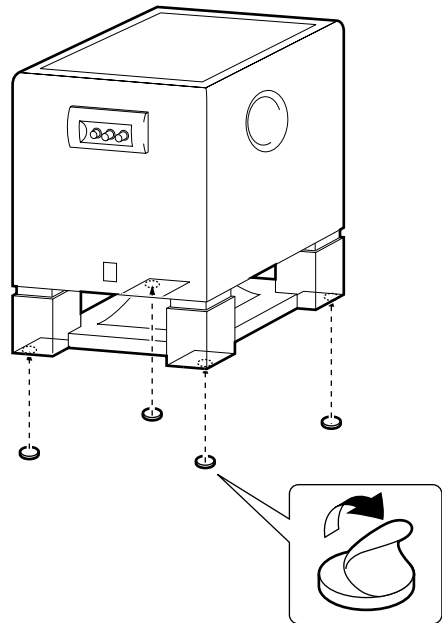
If using one subwoofer, it is recommended to place it on the outside of either the right or the left main speaker. (See fig. [A](#).) If using two subwoofers, it is recommended to place them on the outside of each main speaker. (See fig. [B](#).) The placement shown in fig. [C](#) is also possible, however, if the subwoofer system is placed directly facing the wall, the bass effect may die because the sound from it and the sound reflected by the wall may cancel out each other. To prevent this from happening, face the subwoofer system at an angle as in fig. [A](#) or [B](#).

Note

There may be a case that you cannot obtain enough super-bass sounds from the subwoofer when listening in the center of the room. This is because “standing waves” have been developed between two parallel walls and they cancel the bass sounds. In such a case, face the subwoofer obliquely to the wall. It also may be necessary to break up the parallel surfaces by placing bookshelves etc. along the walls.

Use the nonskid pads

Put the provided nonskid pads at the four corners on the bottom of the subwoofer to prevent the subwoofer from moving by vibrations etc.



CONNECTIONS

Caution: Plug in the subwoofer and other audio/video components after all connections are completed.

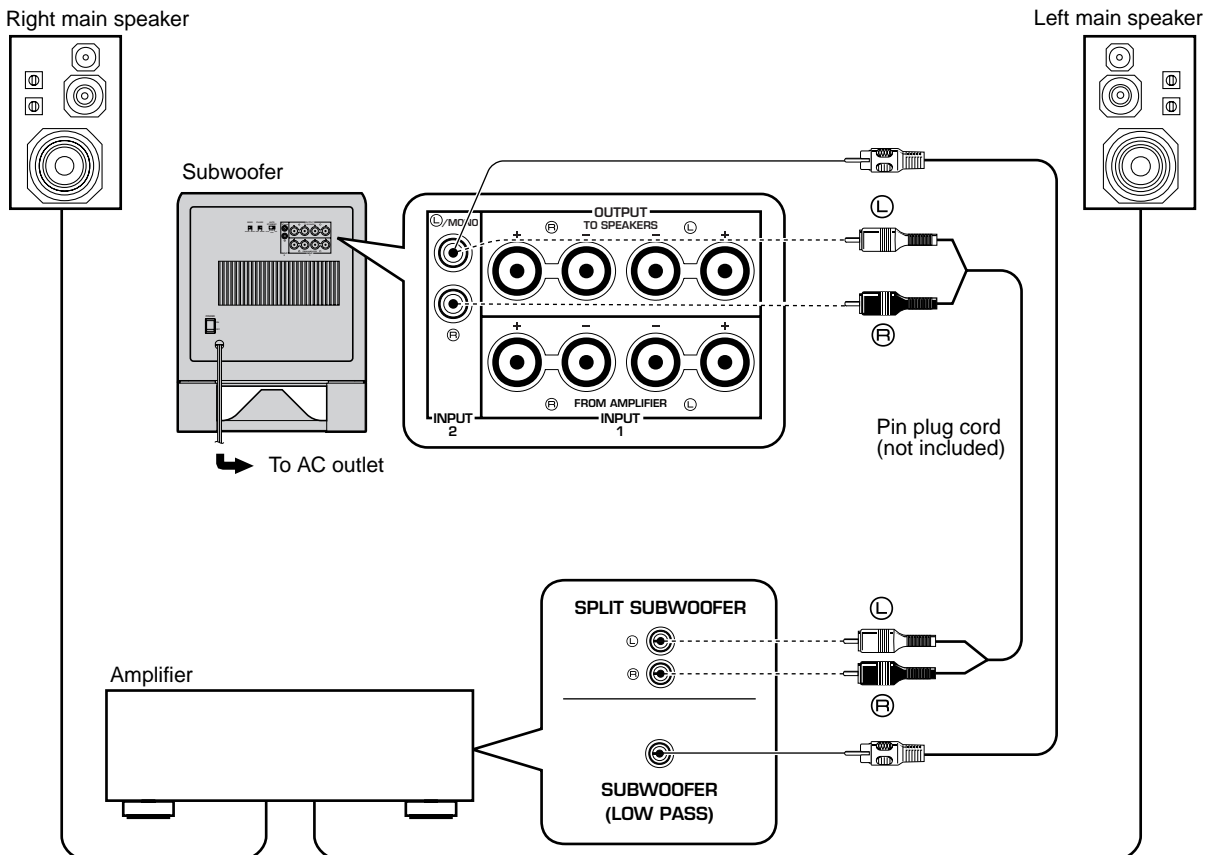
- All connections must be correct, that is to say **L** (left) to **L**, **R** (right) to **R**, “+” to “+” and “-” to “-”. Also refer to the owner's manual for each of your components.
- **<China and General models only>**
Set the **VOLTAGE SELECTOR** switch to the proper voltage of your area **BEFORE** plugging in the subwoofer.
- The subwoofer can be connected to either the line output (pin jack) terminals or the speaker output terminals of the amplifier. Choose one of the ways shown in this section that is more suitable for your audio system. Also, refer to the owner's manual of your component to be connected to the subwoofer.
Basically, connect the subwoofer to the line output (pin jack) terminal(s) of the amplifier. (Refer to pages 4 and 5 for details.)
If your amplifier does not have any line output terminal, connect the subwoofer to the speaker output terminals of the amplifier. (Refer to pages 6 and 7 for details.)

Connecting to line output (pin jack) terminals of the amplifier

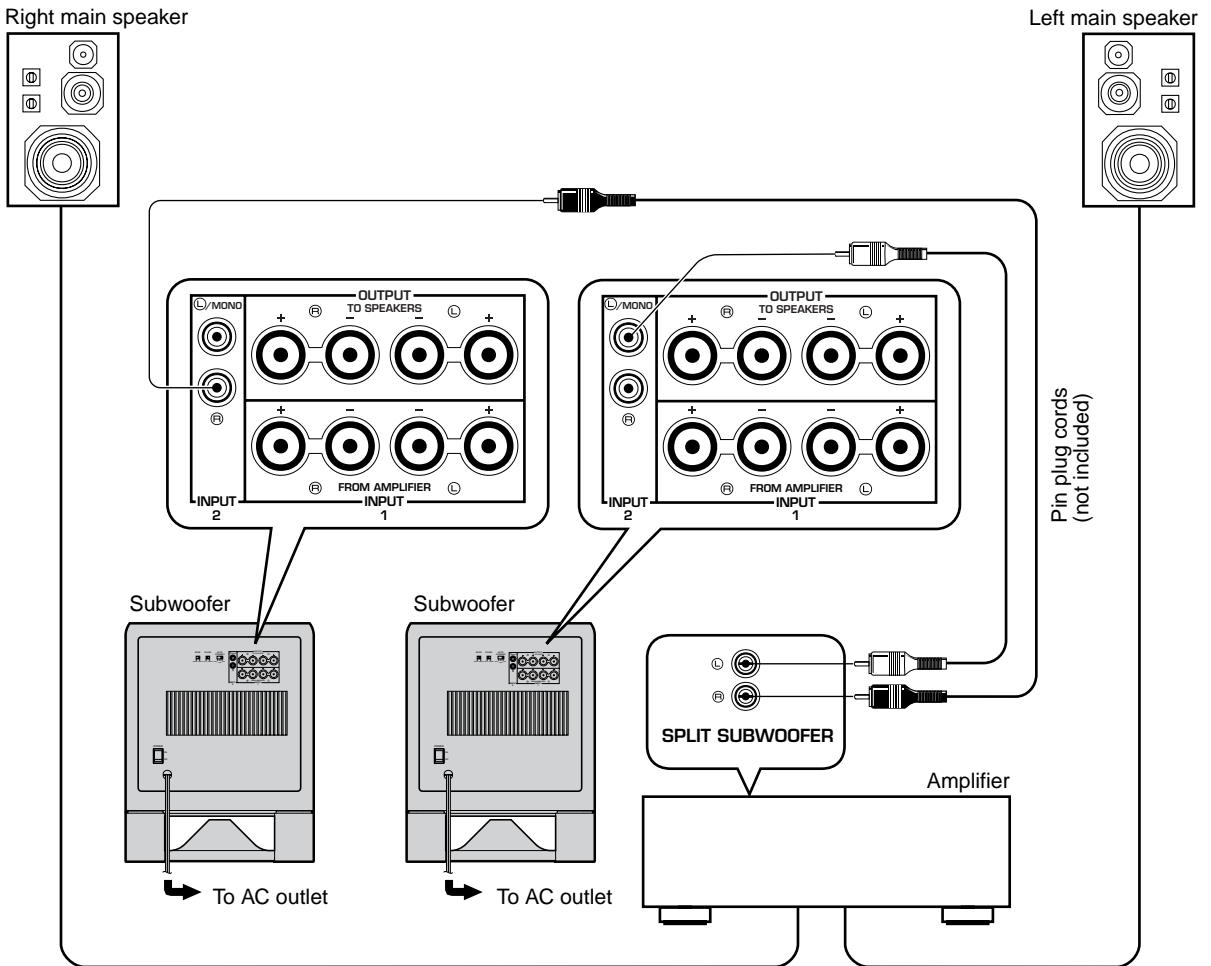
Connect the main speakers to the speaker output terminals of the amplifier.

- To connect with a YAMAHA DSP amplifier (or AV receiver), connect the SUBWOOFER (or LOW PASS etc.) terminal on the rear of the DSP amplifier (or AV receiver) to the **L/MONO INPUT2** terminal of the subwoofer.
- When connecting the subwoofer to the **SPLIT SUBWOOFER** terminals on the rear of the DSP amplifier, be sure to connect the **L/MONO INPUT2** terminal to the “L” side and the **R INPUT2** terminal to the “R” side of the **SPLIT SUBWOOFER** terminals.

■ Using one subwoofer



■ Using two subwoofers



Notes

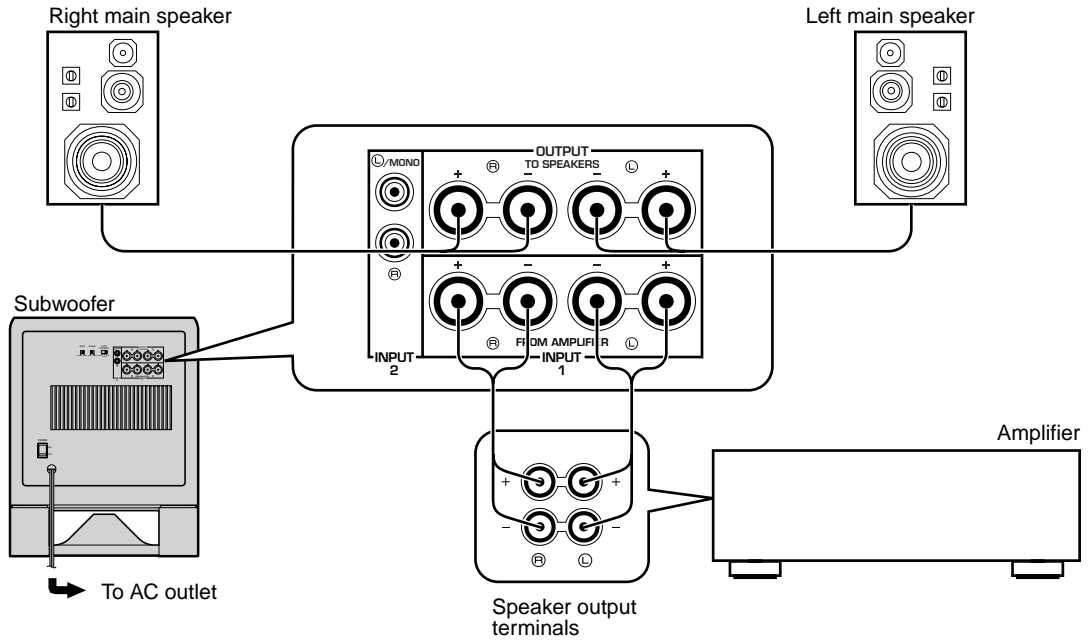
- Some amplifiers have line output terminals labeled PRE OUT. When you connect the subwoofer to the PRE OUT terminals of the amplifier, make sure that the amplifier has at least two sets of PRE OUT terminals. If the amplifier has only one set of PRE OUT terminals, do not connect the subwoofer to the PRE OUT terminals. Instead, connect the subwoofer to the speaker output terminals of the amplifier. (Refer to pages 6 and 7.)
- When connecting to a monaural line output terminal of the amplifier, connect the L/MONO INPUT2 terminal.
- When connecting to line output terminals of the amplifier, other speakers should not be connected to the OUTPUT terminals on the rear panel of the subwoofer. If connected, they will not produce sound.

Connecting to speaker output terminals of the amplifier

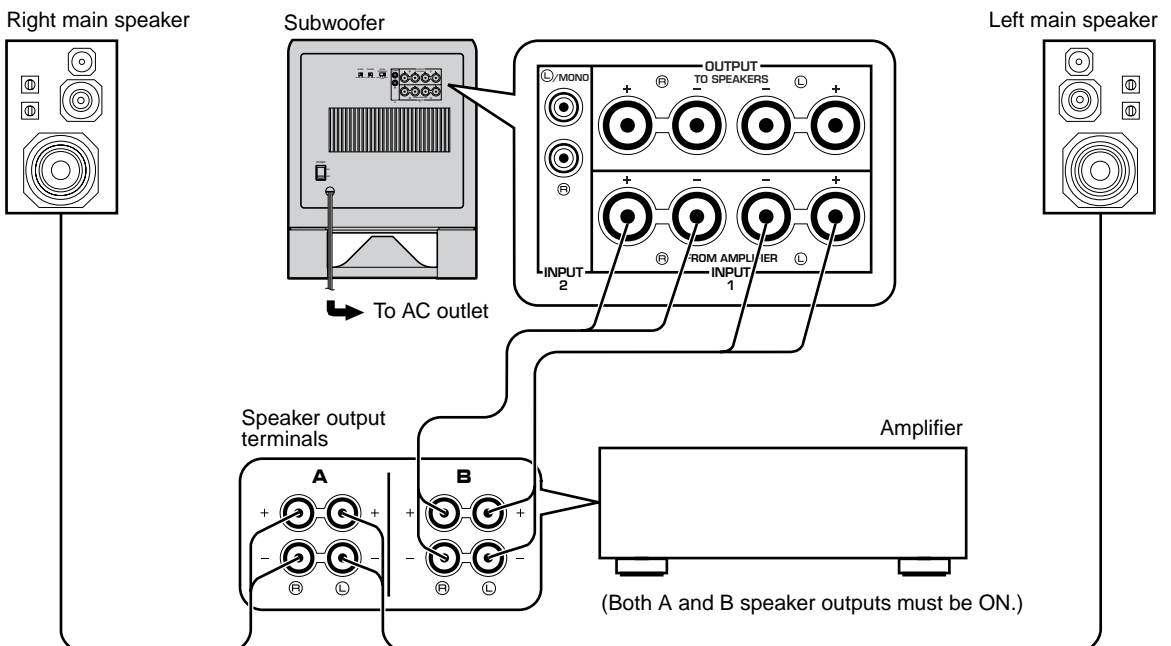
■ Using one subwoofer

If your amplifier has only one set of main speaker output terminals

Connect the speaker output terminals of the amplifier to the INPUT1 terminals of the subwoofer, and connect the OUTPUT terminals of the subwoofer to the main speakers.

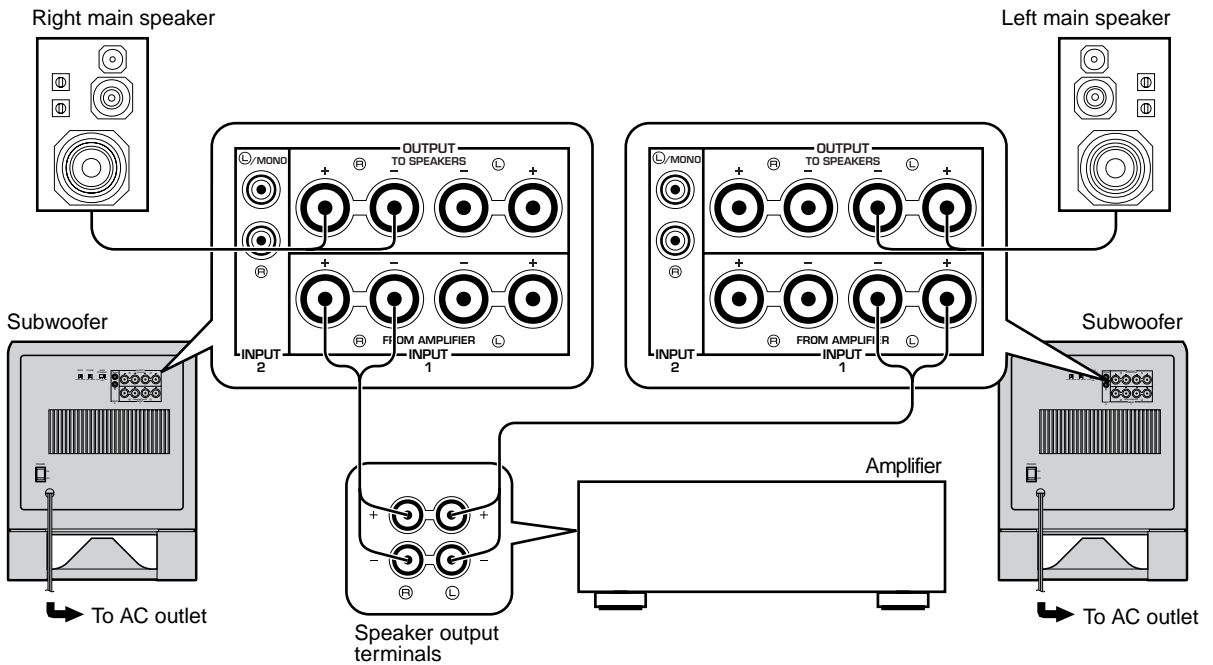


If your amplifier has two sets of speaker output terminals



■ Using two subwoofers

Connect the speaker output terminals of the amplifier to the INPUT1 terminals of the subwoofer, and connect the OUTPUT terminals of the subwoofer to the main speakers.

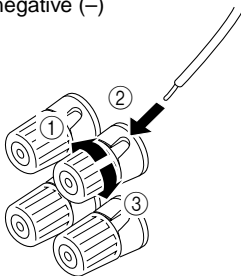


Connecting to the INPUT1/OUTPUT terminals of the subwoofer

For connections, keep the speaker cords as short as possible. Do not bundle or roll up the excess part of the cords. If the connections are faulty, no sound will be heard from the subwoofer or the speakers, or both of them. Make sure that the + and – polarity markings of the speaker cords are observed and set correctly. If these cords are reversed, the sound will be unnatural and lack bass.

How to Connect:

Red: positive (+)
Black: negative (–)



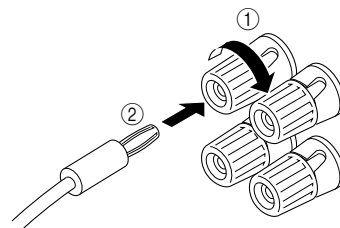
- ① Loosen the knob.
- ② Insert the bare wire.
[Remove approx. 10 mm (3/8") insulation from the speaker wires.]
- ③ Tighten the knob and secure the wire.

Caution

Do not let the bare speaker wires touch each other as this could damage the subwoofer or the amplifier, or both of them.

<U.S.A., Canada, Australia, China and General models only>

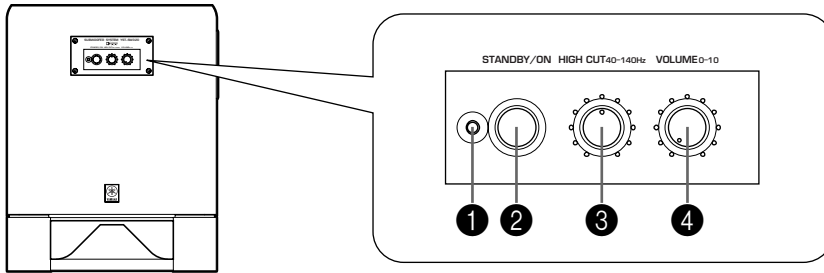
Banana Plug connections are also possible.



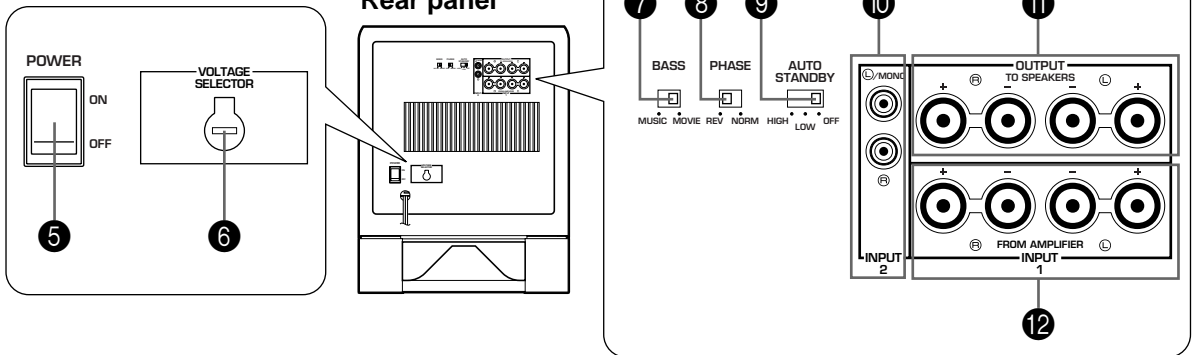
- ① Tighten the terminal knob.
- ② Simply insert the Banana Plug connector into the terminal.

CONTROLS AND THEIR FUNCTIONS

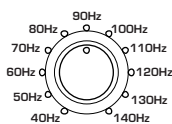
Front panel



Rear panel



- 1** **Power indicator**
Lights up while the subwoofer is turned on.
 - 2** **STANDBY/ON button**
Press this button to turn on the power. Press again to set the subwoofer in the standby mode.
* This button can be used only when the **POWER (5)** switch is set in the ON position.
- Standby mode**
The subwoofer is still using a small amount of power in this mode.
- 3** **HIGH CUT control**
Adjusts the high frequency cut off point. Frequencies higher than the frequency selected by this control are all cut off (and no output).
* One graduation of this control represents 10 Hz.



- 4** **VOLUME control**
Adjusts the volume level. Turn the control clockwise to increase the volume, and counterclockwise to decrease the volume.
- 5** **POWER switch**
Normally, set this switch to the ON position to use the subwoofer. In this state, you can turn on the subwoofer or turn the subwoofer into the standby mode by pressing the **STANDBY/ON (2)** button. Set this switch to the OFF position to completely cut off the subwoofer's power supply from the AC line.
- 6** **VOLTAGE SELECTOR switch**
(China and General models only)
If the preset setting of the switch is incorrect, set the switch to the proper voltage (110V, 120V, 220V or 240V) of your area.
Consult your dealer if you are unsure of the correct setting.
WARNING
Be sure to unplug the subwoofer before setting the VOLTAGE SELECTOR switch correctly.

7 BASS switch

By setting this switch to the MOVIE position, the bass sound in video software is well reproduced. By setting it to the MUSIC position, the bass sound in audio software is well reproduced.

8 PHASE switch

Normally this switch is to be set to the REV (reverse) position. However, according to your speaker systems or the listening condition, there may be a case when better sound quality is obtained by setting this switch to the NORM (normal) position. Select the better position by monitoring the sound.

9 AUTO STANDBY (HIGH/LOW/OFF) switch

This switch is originally set to the OFF position. By setting this switch to the HIGH or LOW position, the subwoofer's automatic power-switching function operates as described below. If you do not need this function, leave this switch in the OFF position.

* Make sure to change the setting of this switch only when the **STANDBY/ON** (2) button is in the OFF position.

10 INPUT2 terminals

Used to input line level signals from the amplifier. (Refer to "**CONNECTIONS**" for details.)

11 OUTPUT (TO SPEAKERS) terminals

Can be used for connecting to the main speakers. Signals are sent directly from the amplifier to the main speakers by way of these terminals. (Refer to "**CONNECTIONS**" for details.)

12 INPUT1 (FROM AMPLIFIER) terminals

Used to connect the subwoofer with the speaker terminals of the amplifier. (Refer to "**CONNECTIONS**" for details.)

AUTOMATIC POWER-SWITCHING FUNCTION

When you play a source, the power of the subwoofer turns on automatically by sensing audio signals input to the subwoofer. On the other hand, the subwoofer automatically switches to the standby mode if the source being played is stopped or the input signal is cut off for a few minutes. This function operates by sensing a certain level of low frequency input signal. Its sensitivity is high in the HIGH position and low in the LOW position of the **AUTO STANDBY** switch. Set this switch to the position you prefer. In the HIGH position, the power will turn on even with a low level of input signal. But please be aware that the subwoofer may not switch to the standby mode when there is an extremely low input signal.

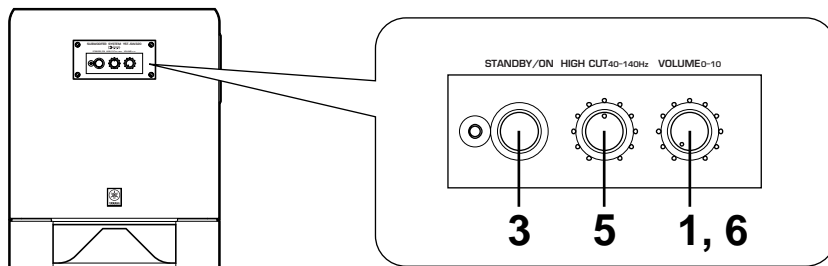
- * The power might turn on unexpectedly by sensing noise from other appliances. If that occurs, set the **AUTO STANDBY** switch to the OFF or LOW position.
- * The level of low frequency input signal differs with each source and among different parts within the same source. This means that the function may not operate properly on some sources.

This function is available only when the power of the subwoofer is on (by setting the STANDBY/ON button to "ON").

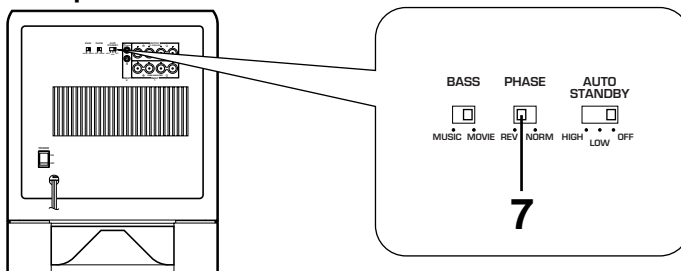
ADJUSTING THE SUBWOOFER BEFORE USE

Before using the subwoofer, adjust the subwoofer to obtain the optimum volume and tone balance between the subwoofer and the main speakers by following the procedures described below.

Front panel



Rear panel



- 1 Set the **VOLUME** control to minimum (0).
- 2 Turn on the power of all the other components.
- 3 Press the **STANDBY/ON** button to turn on the subwoofer.
- 4 Play a source and adjust the amplifier's volume control to the desired listening level.
- 5 Adjust the **HIGH CUT** control to the position where the desired response can be obtained.

Normally, set the control to the main speaker's rated minimum reproducible frequency*.

* The main speaker's rated minimum reproducible frequency can be looked up in the speakers' catalog or owner's manual.

- 6 Increase the volume gradually to adjust the volume balance between the subwoofer and the main speakers.

Normally, set the control to the level where you can obtain a little more bass effect than when this unit is not used. If the desired response cannot be obtained, adjust the **HIGH CUT** control and the **VOLUME** control again.

- 7 Set the **PHASE** switch to the position which gives you the better bass sound.
Normally, set the switch to the REV (reverse) position. If the desired response cannot be obtained, set the switch to the NORM (normal) position.

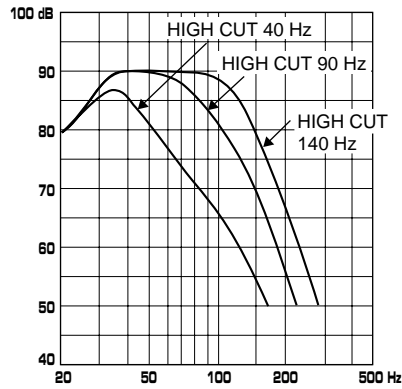
- Once the volume balance between the subwoofer and the main speakers is adjusted, you can adjust the volume of your whole sound system by using the amplifier's volume control.

However, if you change the main speakers to others, you must make this adjustment again.

- For adjusting the **VOLUME** control, the **HIGH CUT** control and the **PHASE** switch, refer to "Frequency characteristics" on the next page.

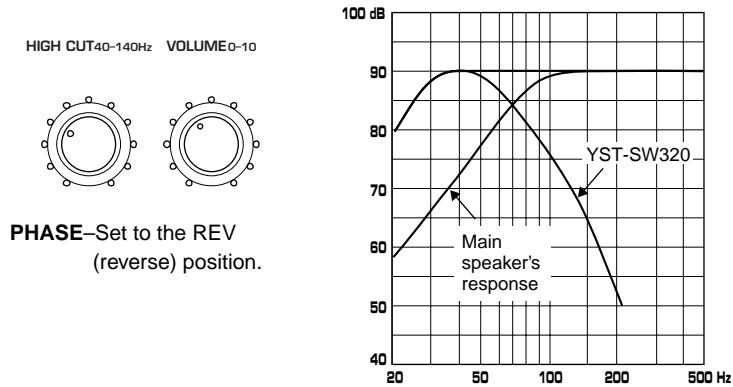
Frequency characteristics

This subwoofer's frequency characteristics

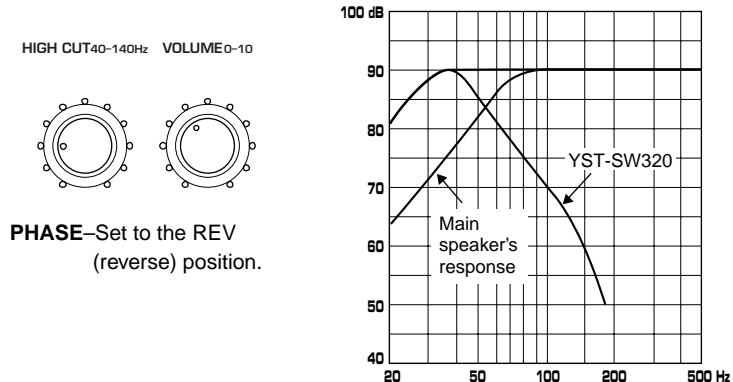


The figures below show the optimum adjustment of each control and the frequency characteristics when this subwoofer is combined with a typical main speaker system.

EX.1 When combined with a 4" or 5" (10 cm or 13 cm) acoustic suspension, 2 way system main speakers



EX.2 When combined with an 8" or 10" (20 cm or 25 cm) acoustic suspension, 2 way system main speakers



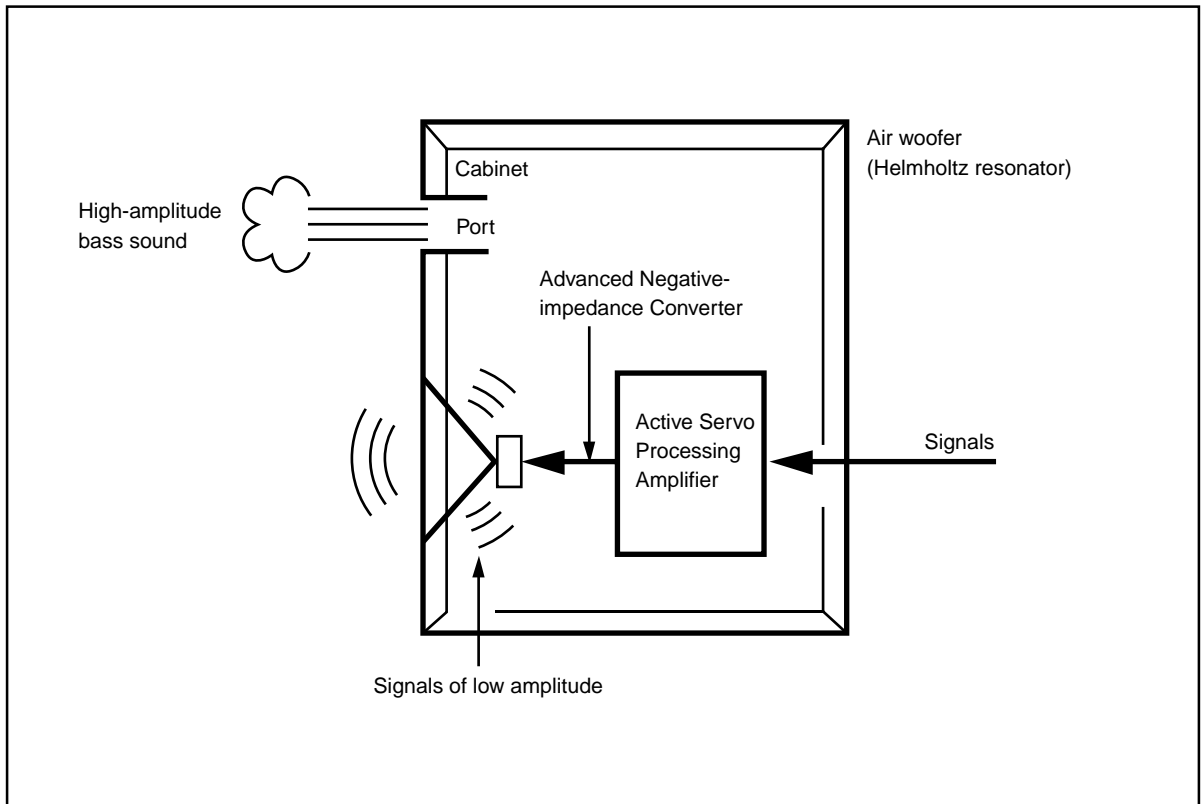
ADVANCED YAMAHA ACTIVE SERVO TECHNOLOGY

The theory of Yamaha Active Servo Technology has been based upon two major factors, the Helmholtz resonator and negative-impedance drive. Active Servo Processing speakers reproduce the bass frequencies through an “air woofer”, which is a port or opening in the speaker’s cabinet. This opening is used instead of, and performs the functions of, a woofer in a conventionally designed speaker system. Thus, signals of low amplitude within the cabinet can, according to the Helmholtz resonance theory, be outputted from this opening as waves of great amplitude if the size of the opening and the volume of the cabinet are in the correct proportion to satisfy a certain ratio. In order to accomplish this, moreover, the amplitudes within the cabinet must be both precise and of sufficient power because these amplitudes must overcome the “load” presented by the air that exists within the cabinet.

Thus it is this problem that is resolved through the employment of a new design in which the amplifier supplies special signals. If the electrical resistance of the voice coil could be reduced to zero, the movement of the speaker unit would become linear with respect to signal voltage. To accomplish this, a special negative-impedance output-drive amplifier for subtracting output impedance of the amplifier is used.

By employing negative-impedance drive circuits, the amplifier is able to generate precise, low-amplitude, low-frequency waves with superior damping characteristics. These waves are then radiated from the cabinet opening as high-amplitude signals. The system can, therefore, by employing the negative-impedance output drive amplifier and a speaker cabinet with the Helmholtz resonator, reproduce an extremely wide range of frequencies with amazing sound quality and less distortion. The features described above, then, are combined to be the fundamental structure of the conventional Yamaha Active Servo Technology.

Our new Active Servo Technology — Advanced Yamaha Active Servo Technology — adopted Advanced Negative Impedance Converter (ANIC) circuits, which allows the conventional negative impedance converter to dynamically vary in order to select an optimum value for speaker impedance variation. With this new ANIC circuits, Advanced Yamaha Active Servo Technology can provide more stable performance and improved sound pressure compared with the conventional Yamaha Active Servo Technology, resulting in more natural and dynamic bass reproduction.



TROUBLESHOOTING

Refer to the chart below when this unit does not function properly. If the problem you are experiencing is not listed below or if the instructions given below do not help, disconnect the power cord and contact your authorized YAMAHA dealer or service center.

Problem	Cause	What to Do
Power is not supplied even though the STANDBY/ON button is set to the ON position.	The power cord is not plugged in, or the POWER switch is set to the OFF position.	Plug the power cord into an AC outlet and/or set the POWER switch to the ON position.
No sound.	The VOLUME control is set to 0.	Turn the VOLUME control to the right.
	Speaker cords are not connected securely.	Connect them securely.
Sound level is too low.	Speaker cords are not connected correctly.	Connect them correctly, that is L (left) to L, R (right) to R, "+" to "+" and "-" to "-".
	Setting of the PHASE switch is not proper.	Set the switch to the other position.
	A source sound with few bass frequencies is played.	Play a source sound with bass frequencies. Set the HIGH CUT control to a higher position.
	It is influenced by standing waves.	Reposition the subwoofer or break up the parallel surface by placing bookshelves etc. along the walls.
The subwoofer does not turn on automatically.	The POWER switch is set to the OFF position.	Set the POWER switch to the ON position.
	The STANDBY/ON button is set to OFF.	Set the STANDBY/ON button to ON.
	The AUTO STANDBY switch is set to the OFF position.	Set the AUTO STANDBY switch to the "HIGH" or "LOW" position.
	The level of input signal is too low.	Set the AUTO STANDBY switch to the "HIGH" position.
The subwoofer turns into the standby mode unexpectedly.	The level of input signal is too low.	Set the AUTO STANDBY switch to the "HIGH" position.
The subwoofer turns on unexpectedly.	There is an influence of noise generated from external appliances etc.	Move the subwoofer farther away from such appliances and/or reposition the connected speaker cables. Otherwise, set the AUTO STANDBY switch to the "OFF" position.

SPECIFICATIONS

Type Advanced Yamaha Active Servo Technology

Power Consumption 60W

Driver 25 cm (10") cone woofer (JA2560)
Magnetically shielded type

Dimensions (W x H x D) 340 mm x 432 mm x 370 mm
(13-3/8" x 17" x 14-9/16")

Amplifier Output 250W/5Ω

Weight 17 kg (37 lbs. 6 oz.)

Frequency Response 20 Hz–160 Hz (–10 dB)

Accessories Nonskid pad x 4

Power Supply

USA and Canada models AC 120V, 60 Hz

U.K. and Europe models AC 230V, 50 Hz

Australia model AC 240V, 50 Hz

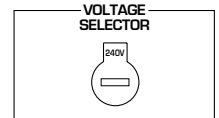
China and General models

..... AC 110/120/220/240V, 50/60 Hz

* Please note that all specifications are subject to change without notice.

PRECAUTIONS D'USAGE: Tenir compte des précautions ci-dessous avant de faire fonctionner l'appareil.

- Pour garantir les meilleures performances possibles, lire ce manuel avec attention. Le garder dans un endroit sûr pour une utilisation ultérieure.
- Installer l'appareil dans un endroit frais, sec et propre, loin de fenêtres, sources de chaleur et d'endroits où les vibrations, la poussière, l'humidité ou le froid sont importants. Éviter les sources de bourdonnements (transformateurs, moteurs). Pour éviter les incendies ou électrocution, ne pas exposer l'appareil à la pluie ni à l'humidité.
- Ne jamais ouvrir le coffret. Si un objet pénètre dans l'appareil, contacter son revendeur.
- Afin d'éviter tout risque d'incendie ou d'électrocution, ne pas exposer l'appareil à la pluie ni à l'humidité.
- Ne pas forcer les commutateurs, les touches ou les câbles de raccordement.
Lors du déplacement de l'appareil, d'abord débrancher la prise d'alimentation et les câbles le raccordant à d'autres appareils. Ne jamais tirer sur les cordons.
- Lorsqu'on prévoit de ne pas utiliser cet appareil pendant longtemps (pendant les vacances, par exemple), débrancher le cordon d'alimentation CA de la prise murale.
- Pour prévenir tout dégât dû à la foudre, débrancher la prise d'alimentation CA en cas d'orage.
- Cet appareil possédant un amplificateur intégré, de la chaleur sera irradiée par le panneau arrière. Par conséquent, placer l'appareil à une certaine distance des murs, en laissant suffisamment d'espace au-dessus, derrière et des deux côtés de l'appareil afin d'éviter tout risque de dommage ou d'incendie. Ne pas positionner non plus cet appareil dos au plancher ou à une autre surface.
<Modèles pour le Royaume-Uni, et l'Europe et la Chine seulement>
Laisser un espace d'au moins 20 cm au-dessus, derrière et des deux côtés de l'appareil.
- Ne pas couvrir le panneau arrière de cet appareil avec un journal, une nappe, un rideau, etc., afin de ne pas empêcher le rayonnement de chaleur. Si la température s'élève à l'intérieur de l'appareil, ceci risque de causer un incendie, d'endommager l'appareil et/ou de provoquer des blessures corporelles.
- Ne placez pas les objets suivants sur l'appareil: Verres, porcelaine, etc.
Si les verres, etc., tombent sous l'effet des vibrations et se rompent, ceci risque de causer des blessures.
Une bougie allumée, etc.
Si la bougie tombe sous l'effet des vibrations, ceci risque de causer un incendie et des blessures.
Un récipient contenant de l'eau
Si le récipient tombe sous l'effet des vibrations et que l'eau se répand, ceci risque d'endommager l'appareil et/ou de causer une électrocution.
- Les sons de très basse fréquence produits par cet appareil peuvent provoquer un sifflement sur le tourne-disque. Dans ce cas, éloigner cet appareil du tourne-disque.
- Si une distorsion se fait entendre (par exemple des petits coups secs intermittents ou un "martèlement") sur cet appareil, diminuer le niveau sonore. La lecture à très haut volume des sons de basse ou des sons de basses fréquences de la bande sonore d'un film, ou de passages de musique populaire de forte intensité, sont susceptibles d'endommager ce système d'enceintes.
- Les vibrations provenant des fréquences très basses peuvent causer de la distorsion sur l'image d'un téléviseur placé à proximité. Si c'est la cas, éloigner l'appareil du téléviseur.
- Ne pas essayer de nettoyer l'appareil avec des diluants chimiques, ceci endommagerait le fini. Utiliser un chiffon propre et sec.
- Bien lire la section "EN CAS DE DIFFICULTE" concernant les erreurs de fonctionnement communes avant de conclure que votre appareil est en panne.
- **Le propriétaire du système est entièrement responsable du bon positionnement et de la bonne installation du système.**
YAMAHA décline toute responsabilité en cas d'accident causé par un positionnement ou une installation inadéquats des enceintes.
- **VOLTAGE SELECTOR (Sélecteur de tension) (modèles pour la Chine et général seulement)**
Le sélecteur de tension sur le panneau arrière de cet appareil doit être réglé sur la tension locale AVANT de brancher l'appareil sur une prise de courant CA.
Les tensions sont de 110/120/220/240V CA 50/60 Hz.



Mode veille

Lorsque cet appareil est mis hors tension en appuyant sur la touche STANDBY/ON du panneau avant, l'appareil consomme une faible quantité de courant. Cet état est appelé mode veille. L'alimentation électrique de cet appareil est coupée complètement de la ligne d'alimentation CA seulement lorsqu'on a mis l'interrupteur POWER du panneau arrière sur la position OFF ou qu'on a débranché le cordon d'alimentation CA.

Bien que cet appareil soit doté d'un blindage magnétique, il est possible que la couleur des images d'un téléviseur placé à proximité en soit affectée. Dans ce cas, éloigner cet appareil du téléviseur.

POUR LES CONSOMMATEURS CANADIENS

Pour éviter les chocs électriques, introduire la lame la plus large de la fiche dans la borne correspondante de la prise et pousser jusqu'au fond.

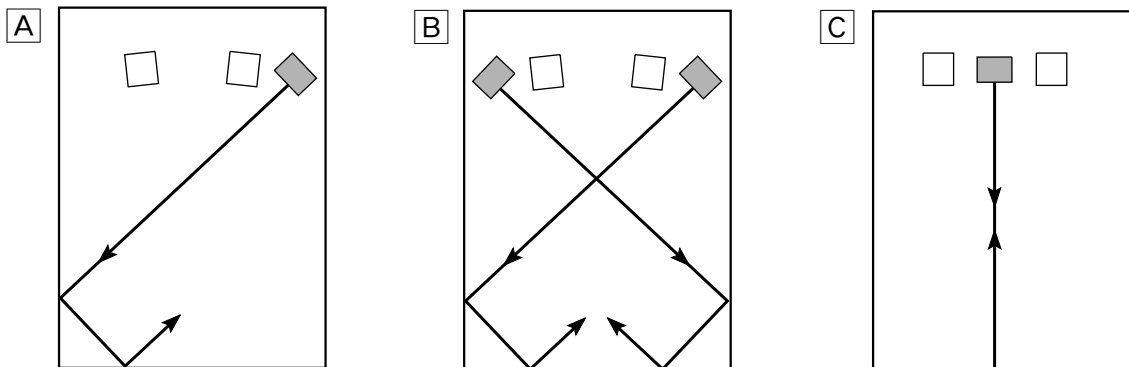
Cet appareil numérique de la classe B est conforme à la norme NMB-003 du Canada.

TABLE DES MATIERES

DEBALLAGE	IV	LES COMMANDES ET LEURS FONCTIONS	8
PRECAUTIONS D'USAGE	1	FONCTION DE COMMUTATION D'ALIMENTATION AUTOMATIQUE	9
CARACTERISTIQUES	2	REGLAGE DU SUBWOOFER AVANT L'UTILISATION	10
POSITIONNEMENT	3	Caractéristiques de fréquence	11
CONNEXIONS	4	ADVANCED YAMAHA ACTIVE SERVO TECHNOLOGY	12
Raccordement aux bornes de sortie de ligne (fiche jack) de l'amplificateur	4	EN CAS DE DIFFICULTE	13
Raccordement aux bornes de sortie d'enceintes de l'amplificateur	6	CARACTERISTIQUES TECHNIQUES	14

CARACTERISTIQUES

- Ce subwoofer utilise Advanced YAMAHA Active Servo Technology mise au point par YAMAHA pour la reproduction de basses fréquences de meilleure qualité. (En ce qui concerne Advanced YAMAHA Active Servo Technology, se reporter à la page 12.) Ces basses fréquences ajoutent un effet réaliste cinématographique aux sons fournis par une chaîne stéréo.
- Ce subwoofer peut être facilement ajouté à votre chaîne actuelle en le raccordant soit aux bornes d'enceintes soit aux bornes de sortie de ligne (fiche Cinch) de l'amplificateur.
- Pour utiliser au mieux les possibilités de cet appareil, les basses fréquences de ce subwoofer doivent être harmonisés avec les sons des enceintes principales. De plus, il est possible d'optimiser la qualité sonore suivant les conditions d'écoute au moyen de la commande HIGH CUT et du commutateur PHASE.
- La fonction commutation d'alimentation automatique évite d'avoir à appuyer sur la touche STANDBY/ON pour mettre le subwoofer sous et hors tension.
- L'effet de basses peut être réglé en fonction de la source à l'aide du commutateur BASS.



(: Subwoofer, : Enceintes principales)

L'utilisation d'un seul subwoofer dans une chaîne donne déjà de bons résultats, cependant l'utilisation de deux subwoofers est recommandée pour accroître l'effet du son.

Lorsqu'on utilise un seul subwoofer, il est recommandé de le placer sur le côté extérieur de l'enceinte principale droite ou gauche. (Voir la fig. **A**.) Lorsqu'on utilise deux subwoofers, il est recommandé de les placer sur le côté extérieur de chacune des enceintes principales. (Voir la fig. **B**.) Il est également possible de positionner les enceintes comme indiqué à la fig. **C** ; cependant, si le subwoofer est placé directement contre le mur, l'effet de basse pourra se trouver supprimé car le son émis par l'enceinte et le son renvoyé par le mur s'annuleront mutuellement. Pour éviter ce problème, placer le subwoofer à angle oblique par rapport au mur, comme indiqué sur la fig. **A** ou **B**.

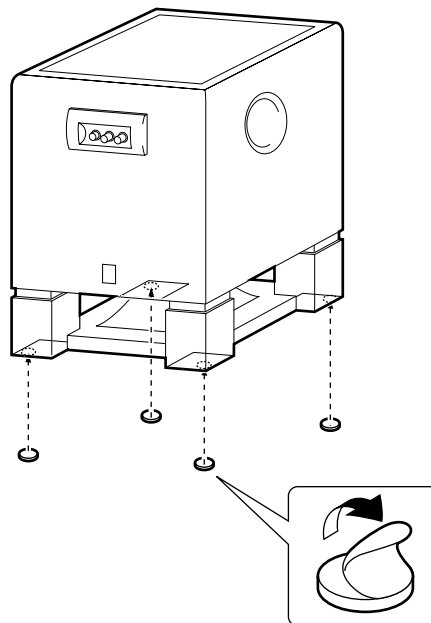
Remarque

Les sons de très basses fréquences du subwoofer peuvent quelquefois être trop faiblement perçus à partir d'une position d'écoute en milieu de pièce. Les ondes renvoyées par deux murs parallèles peuvent en effet s'annuler mutuellement et supprimer les sons de basses.

Dans un tel cas, diriger le subwoofer obliquement par rapport au mur. Il peut être également nécessaire de modifier le parallélisme des surfaces murales en plaçant des étagères etc. le long des murs.

Utiliser les tampons anti-dérapiage

Mettre les tampons anti-dérapiage fournis aux quatre coins du bas du subwoofer afin d'empêcher le subwoofer de bouger sous l'effet des vibrations, etc.



CONNEXIONS

Attention: Brancher le subwoofer et les autres composants audio/vidéo après avoir accompli tous les raccordements.

- Tous les branchements doivent être effectués correctement, c'est-à-dire entre "L" (gauche) et "L", entre "R" (droite) et "R", entre "+" et "+" et entre "-" et "-". Voir aussi le mode d'emploi de chacun des appareils.

● **<Modèles pour la Chine et général seulement>**

Mettre le sélecteur **VOLTAGE SELECTOR** sur la tension correspondant à votre pays **AVANT** de brancher le subwoofer.

- Le subwoofer peut être raccordé soit aux bornes de sortie de ligne (fiche jack) soit aux bornes de sortie d'enceintes de l'amplificateur. Choisir parmi les possibilités illustrées dans ce chapitre celle qui convient le mieux à votre chaîne. Voir aussi le mode d'emploi de l'appareil branché au subwoofer.

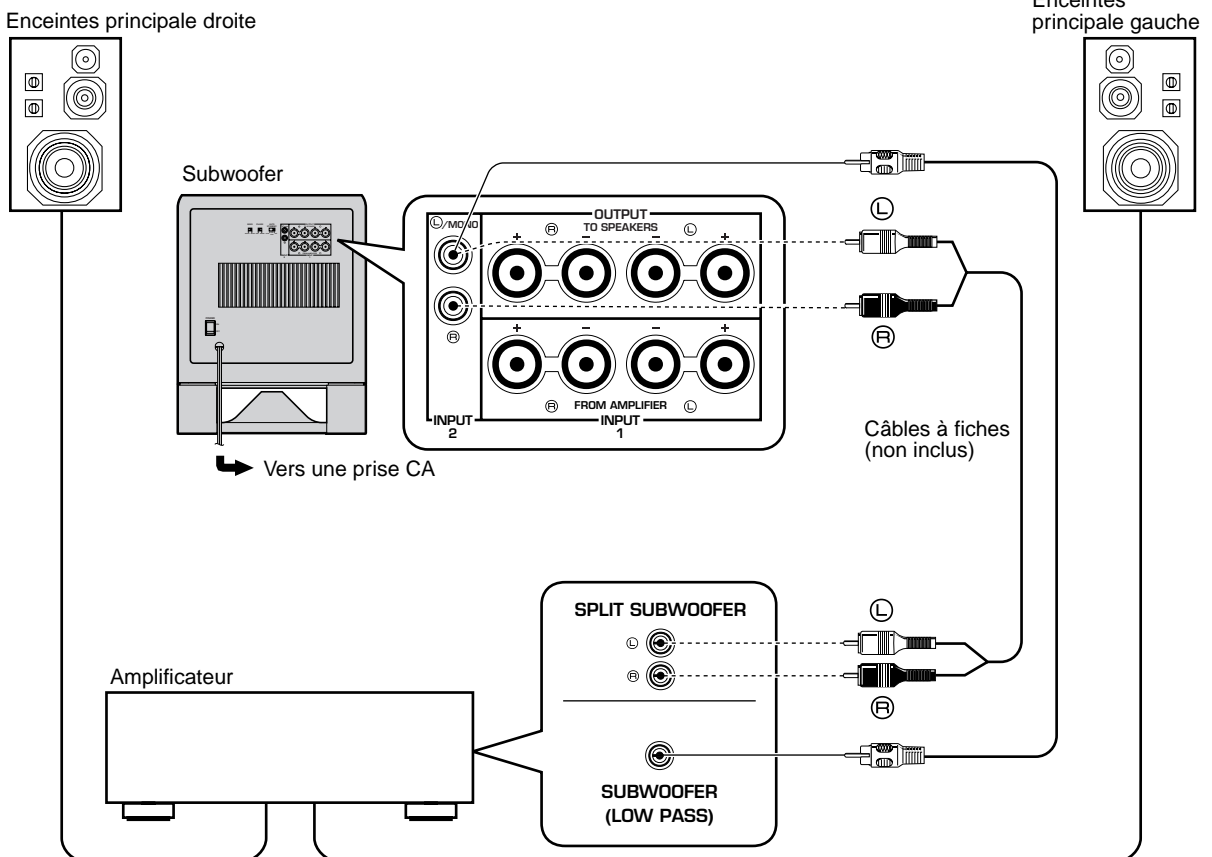
Fondamentalement, raccorder le subwoofer à la (aux) borne(s) de sortie de ligne (prise à broche) de l'amplificateur. (Pour plus de détails, se reporter aux pages 4 et 5.) Si l'amplificateur n'est pas équipé d'une borne de sortie de ligne, raccorder le subwoofer aux bornes de sortie d'enceintes de l'amplificateur. (Pour plus de détails, se reporter aux pages 6 et 7.)

Raccordement aux bornes de sortie de ligne (fiche jack) de l'amplificateur

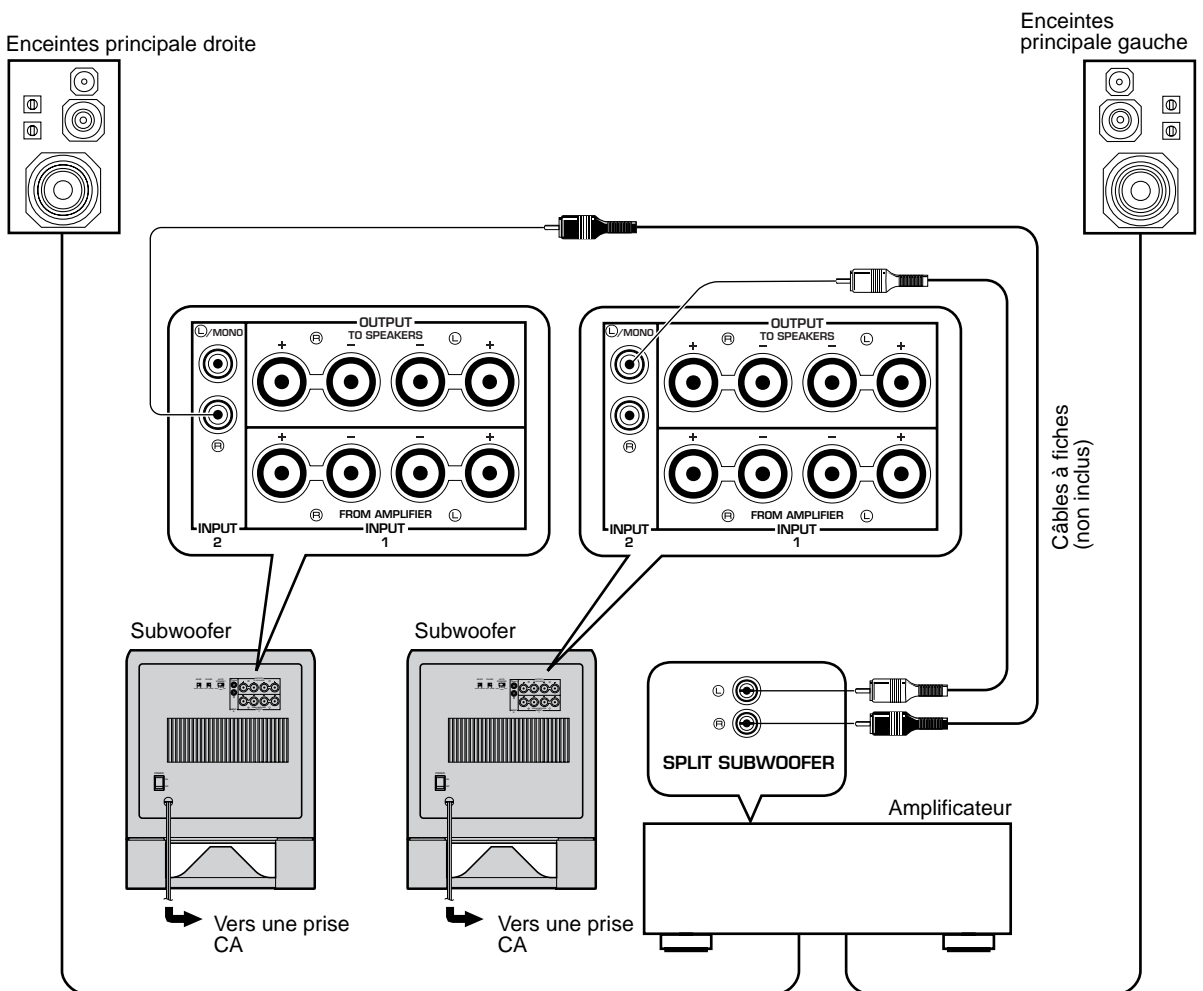
Raccorder les enceintes principales aux bornes de sortie d'enceintes de l'amplificateur.

- Pour effectuer le raccordement à un amplificateur YAMAHA DSP (ou récepteur AV), raccorder la borne SUBWOOFER (ou LOW PASS, etc.) située à l'arrière de l'amplificateur DSP (ou récepteur AV) à la borne ①/MONO INPUT2 gauche (L) ou bien droite (R) du subwoofer.
- Lorsqu'on raccorde le subwoofer aux bornes SPLIT SUBWOOFER à l'arrière de l'amplificateur DSP, veiller à raccorder la borne ②/MONO INPUT2 au côté "L" et les bornes ③ INPUT2 au côté "R" des bornes SPLIT SUBWOOFER.

■ Utilisation d'un seul subwoofer



■ Utilisation de deux subwoofers



Remarques

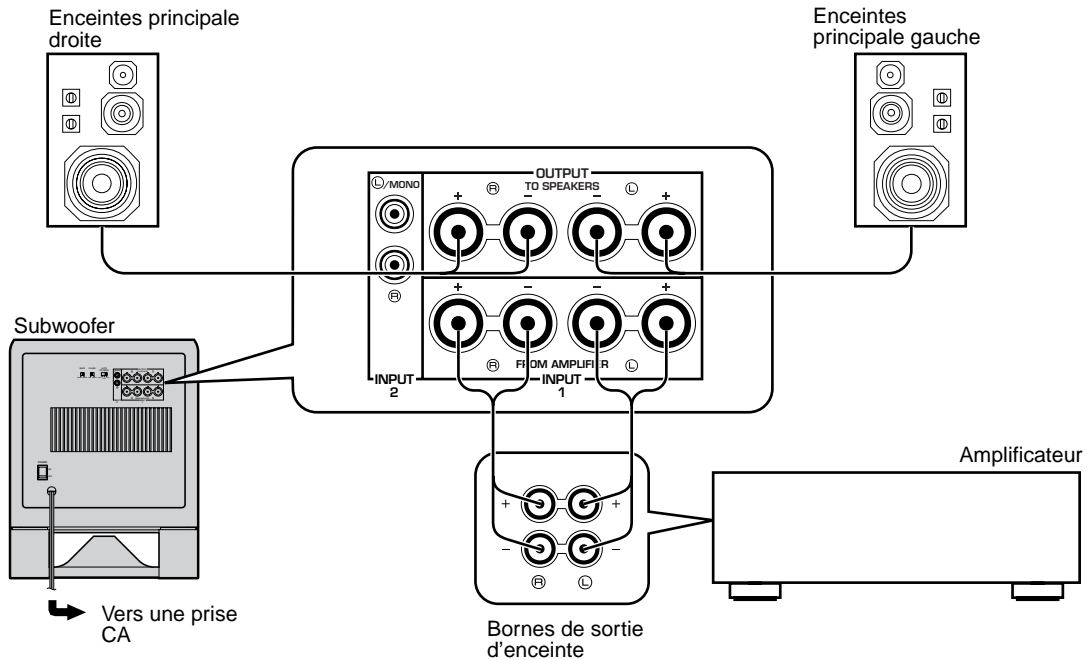
- Certains amplificateurs possèdent des bornes de sortie de ligne nommées PRE OUT. Lorsque l'on raccorde le subwoofer aux bornes PRE OUT de l'amplificateur, veiller à ce que l'amplificateur possède au moins deux jeux de bornes PRE OUT. Si l'amplificateur ne possède qu'un seul jeu de bornes PRE OUT, ne pas raccorder le subwoofer aux bornes PRE OUT. Raccorder plutôt le subwoofer aux bornes de sortie d'enceintes de l'amplificateur. (Se reporter aux pages 6 et 7.)
- Pour faire un raccordement à une borne de sortie de ligne mono de l'amplificateur, raccorder la borne L/MONO INPUT2 à cette borne.
- Lorsque l'appareil est raccorder aux bornes de sortie de ligne, aucune autre enceinte ne doit être raccorder aux bornes OUTPUT du panneau arrière du subwoofer. Cette enceinte ne produirait alors aucun son.

Raccordement aux bornes de sortie d'enceintes de l'amplificateur

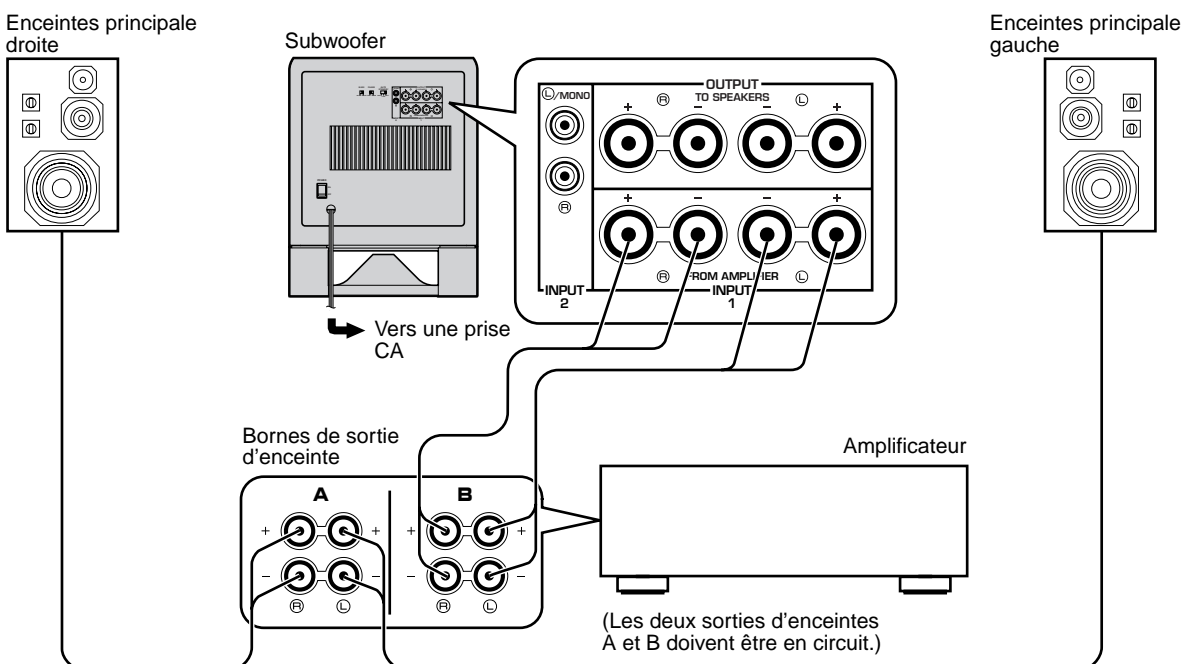
■ Utilisation d'un seul subwoofer

Si l'amplificateur n'est équipé que d'un seul jeu de bornes de sortie d'enceintes principales

Raccorder les bornes de sortie d'enceintes de l'amplificateur aux bornes INPUT1 du subwoofer, et raccorder les bornes OUTPUT du subwoofer aux enceintes principales.

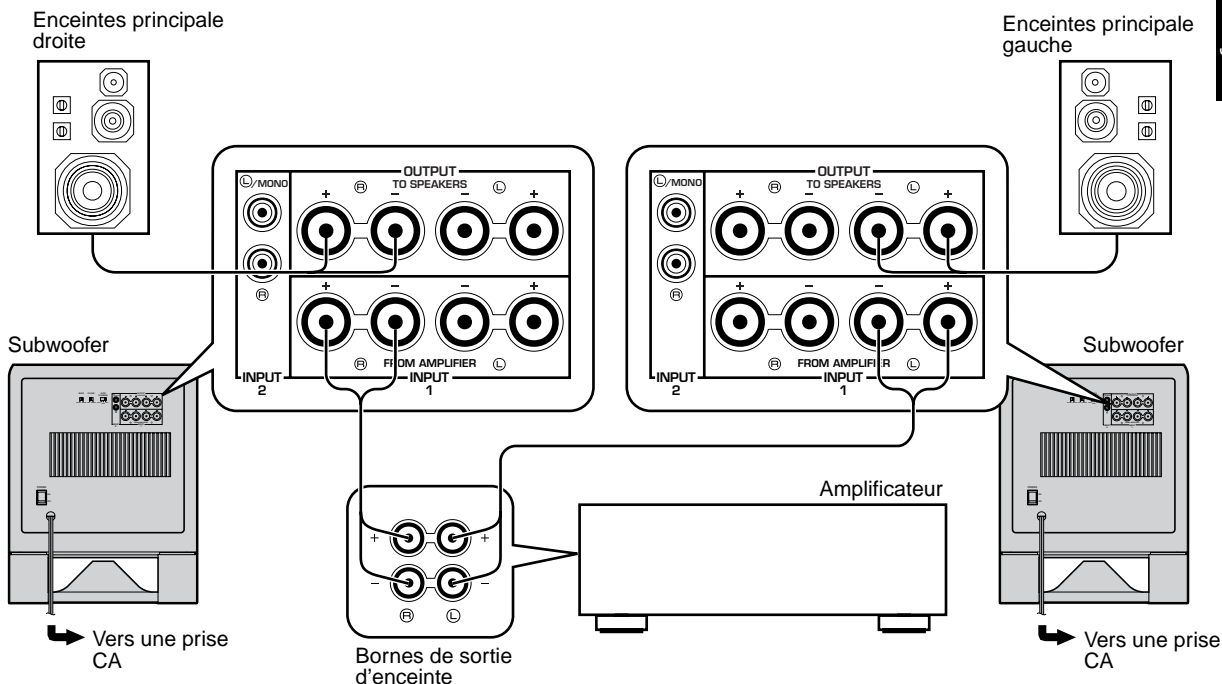


Si l'amplificateur est équipé de deux paires de bornes de sortie d'enceintes



■ Utilisation de deux subwoofers

Raccorder les bornes de sortie d'enceintes de l'amplificateur aux bornes INPUT1 du subwoofer, et raccorder les bornes OUTPUT du subwoofer aux enceintes principales.



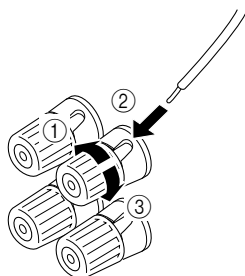
Raccordement des bornes INPUT1/OUTPUT du subwoofer

Pour les raccordements, laisser les cordons d'enceintes aussi courts que possible. Ne pas plier ni enrouler la partie en excès des cordons. Si les raccordements sont incorrects, aucun son ne parviendra du subwoofer ou des enceintes, ou des deux. Respecter la polarité + et – des cordons d'enceintes. Si ces cordons sont inversés, le son sera plat et manquera de graves.

Branchement:

Rouge: positif (+)

Noir: négatif (-)



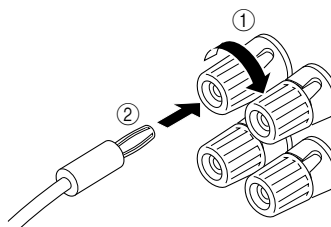
- ① Desserrer le bouton.
- ② Introduire le câble dénudé.
(Enlever environ 10 mm (3/8") de gaine pour dénuder le câble.)
- ③ Revisser le bouton et fixer le câble.

Remarque

Veiller à ce que les fils dénudés ne se touchent pas car ceci pourrait abîmer le subwoofer, l'amplificateur ou les deux appareils.

<Modèles pour les Etats-Unis, le Canada, l'Australie, la Chine et général seulement>

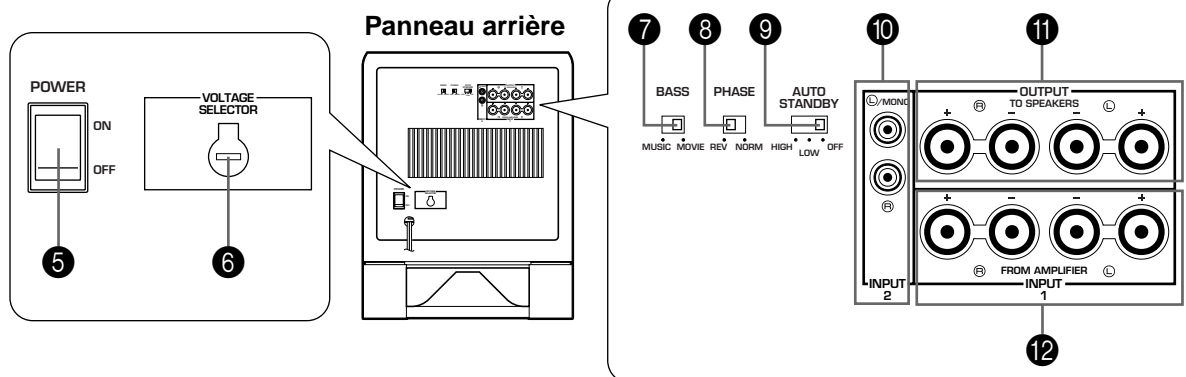
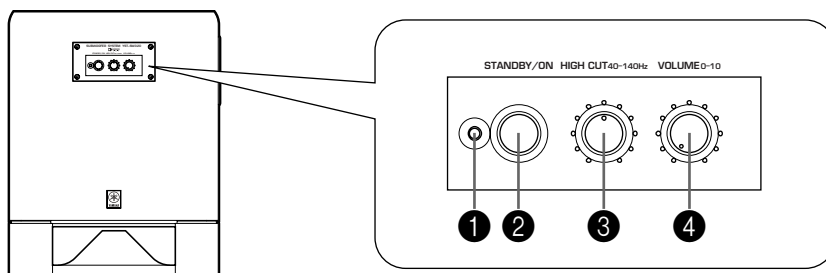
Il est également possible d'utiliser des fiches banane.



- ① Serrer le bouton de la borne.
- ② Il suffit d'introduire la fiche banane dans la borne.

LES COMMANDES ET LEURS FONCTIONS

Panneau avant

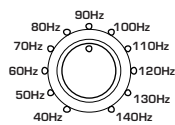


- 1 Voyant Power
S'allume lorsque le subwoofer est en circuit.
- 2 Touche de veille/marche (**STANDBY/ON**)
Appuyer sur cette touche pour établir l'alimentation électrique. Appuyer à nouveau sur cette touche pour mettre le subwoofer en mode veille.
* Ce bouton ne peut être utilisé que quand l'interrupteur **POWER (5)** est mis sur la position ON.

Mode veille

Le subwoofer continue à consommer une faible quantité de courant dans ce mode..

- 3 Commande **HIGH CUT**
Pour régler le point de rupture de haute fréquence.
Les fréquences supérieures au niveau réglé sur cette commande sont toutes annulées (et ne sont donc pas émises).
* Chaque graduation de cette commande correspond à 10 Hz.



- 4 Commande **VOLUME**
Pour régler le niveau de volume. Tourner la commande dans le sens des aiguilles d'une montre pour augmenter le volume, et dans le sens inverse des aiguilles d'une montre pour diminuer le volume.
- 5 Interrupteur d'alimentation (**POWER**)
Normalement, régler cet interrupteur sur la position ON pour utiliser le subwoofer. Dans cet état, on peut mettre le subwoofer sous tension ou en mode veille en appuyant sur la touche **STANDBY/ON (2)**. Mettre cet interrupteur sur la position OFF pour couper complètement l'alimentation électrique du subwoofer de la ligne d'alimentation CA.
- 6 Interrupteur de sélection de tension (**VOLTAGE SELECTOR**) (**modèles pour la Chine et général seulement**)
Si le réglage d'usine de l'interrupteur est incorrect, placer l'interrupteur sur la tension correcte (110V, 120V, 220V ou 240V) pour votre pays.
Si vous avez des doutes concernant le réglage correct, consultez votre revendeur.
AVERTISSEMENT
Veiller absolument à débrancher le subwoofer avant de régler correctement l'interrupteur VOLTAGE SELECTOR.

- 7** Commutateur **BASS**
Mettre en position MOVIE pour une bonne restitution des basses des films et en position music pour une bonne restitution des basses des sources audio.
- 8** Commutateur **PHASE**
Ordinairement, ce commutateur doit se trouver en position REV (phase inversée). Cependant, selon les enceintes utilisées ou les conditions d'écoute, une meilleure qualité sonore pourra être obtenue dans certains cas en mettant ce commutateur sur la position NORM (phase normale). Faire des essais de son pour sélectionner la meilleure position.
- 9** Commutateur **AUTO STANDBY (HIGH/LOW/OFF)**
Initialement, cette touche est mise sur la position OFF. En mettant ce commutateur sur la position HIGH ou LOW, la fonction de commutation d'alimentation automatique au subwoofer fonctionne de la manière décrite ci-dessous. Si l'on ne désire pas utiliser cette fonction, laisser le commutateur sur la position OFF.
* Veiller à changer le réglage de cet interrupteur seulement lorsque la touche **STANDBY/ON** (2) est sur la position OFF.
- 10** Bornes **INPUT 2**
Elles servent à entrer les signaux du niveau de ligne provenant de l'amplificateur.
(Pour plus de détails, se reporter à la section "CONNEXIONS".)
- 11** Bornes **OUTPUT (TO SPEAKERS)**
Elles peuvent servir à raccorder les enceintes principales. Les signaux sont envoyés directement de l'amplificateur aux enceintes principales par ces bornes.
(Pour plus de détails, se reporter à la section "CONNEXIONS".)
- 12** Bornes **INPUT1 (FROM AMPLIFIER)**
Elles servent à raccorder le subwoofer aux bornes d'enceinte de l'amplificateur.
(Pour plus de détails, se reporter à la section "CONNEXIONS".)

FONCTION DE COMMUTATION D'ALIMENTATION AUTOMATIQUE

Lors de la lecture d'une source, le subwoofer se met automatiquement sous tension en détectant les signaux audio envoyés vers le subwoofer. En outre, le subwoofer passe automatiquement en mode veille si la source en cours de lecture est arrêtée ou si le signal d'entrée est coupé pendant plusieurs minutes.

Cette fonction s'activera en détectant un certain niveau du signal d'entrée de basses fréquences. La sensibilité est élevée à la position HIGH et elle est basse à la position LOW du commutateur **AUTO STANDBY**. Mettre ce commutateur sur la position que l'on préfère. En position HIGH, l'alimentation électrique sera établie même avec un bas niveau de signal d'entrée. Toutefois, bien noter qu'il est possible que le subwoofer ne passe pas au mode veille lorsqu'un signal d'entrée extrêmement bas est reçu.

* Il se peut que l'alimentation électrique s'établisse de manière inattendue si du bruit provenant d'autres appareils est détecté. Si ceci se produit, mettre le commutateur **AUTO STANDBY** sur la position OFF ou LOW.

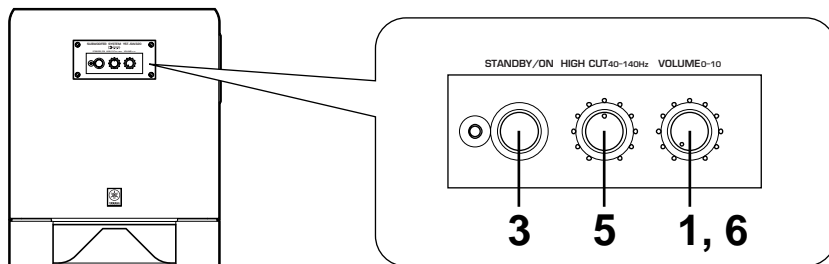
* Le niveau de signal d'entrée de basse fréquence diffère selon chaque source, et parmi les différentes parties de la même source. Et donc la fonction pourra ne pas fonctionner correctement avec certaines sources.

Cette fonction est utilisable seulement lorsque le subwoofer est sous tension (la touche STANDBY/ON sur "ON").

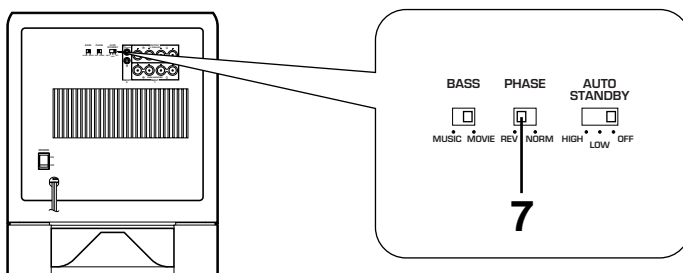
REGLAGE DU SUBWOOFER AVANT L'UTILISATION

Avant d'utiliser le subwoofer, régler celui-ci pour obtenir l'équilibre de volume et de tonalité optimum entre le subwoofer et les enceintes principales en suivant les procédures indiquées ci-dessous.

Panneau avant



Panneau arrière



- 1 Mettre la commande **VOLUME** au minimum (0).
- 2 Mettre tous les composants sous tension.
- 3 Appuyer sur la touche **STANDBY/ON** pour mettre le subwoofer sous tension.
- 4 Enclencher la lecture sur une source sonore et mettre la commande de volume de l'amplificateur sur le niveau d'écoute désiré.
- 5 Ajuster la commande **HIGH CUT** à la position à laquelle la réponse désirée peut être obtenue.

Ordinairement, régler la commande sur la fréquence nominale la plus petite* qui peut être reproduite par les enceintes principales.

* La fréquence nominale la plus petite des enceintes principales est indiquée dans le catalogue ou le mode d'emploi des enceintes.

- 6 Augmenter progressivement le volume afin de régler l'équilibre de volume entre le subwoofer et les enceintes principales.

Ordinairement, régler la commande au niveau où vous obtenez un peu plus d'effet de basse que lorsque cet appareil n'est pas utilisé.

Si la réponse souhaitée ne peut pas être obtenue, régler à nouveau la commande **HIGH CUT** et la commande **VOLUME**.

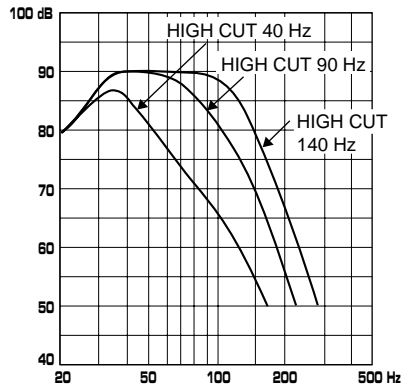
- 7 Régler le commutateur **PHASE** sur la position restituant au mieux le grave.

Ordinairement, régler le commutateur sur la position **REV** (phase inversée). S'il n'est pas possible d'obtenir la réponse souhaitée, régler le commutateur sur la position **NORM** (phase normale).

- Une fois le réglage de l'équilibre de volume entre le subwoofer et les enceintes principales accompli, il est possible de régler le son global de la chaîne en utilisant la commande de volume de l'amplificateur. Toutefois, si l'on met d'autres enceintes à la place des enceintes principales, il faut refaire ce réglage.
- En ce qui concerne le réglage de la commande **VOLUME**, de la commande **HIGH CUT** et de l'interrupteur **PHASE**, se reporter à la section "Caractéristiques de fréquence" à la page suivante.

Caractéristiques de fréquence

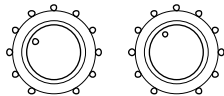
Caractéristiques de fréquence du subwoofer



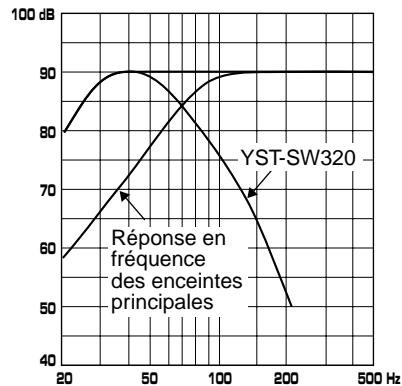
Les chiffres ci-dessous montrent le réglage optimal de chaque commande et les caractéristiques des fréquences lorsque ce subwoofer est associé à des enceintes principales classiques.

EX.1 En combinaison avec des enceintes principales à deux voies, à suspension acoustique de 4" ou 5" (10 cm ou 13 cm)

HIGH CUT 40-140Hz VOLUME 0-10

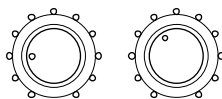


PHASE– Mettre sur la position REV (phase inversée)

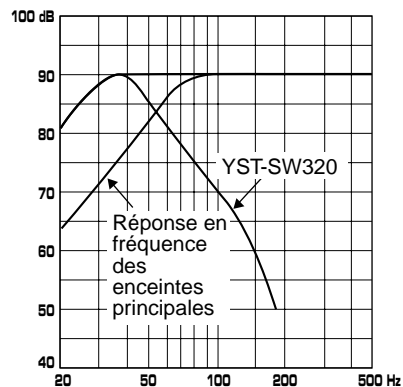


EX.2 En combinaison avec des enceintes principales à deux voies, à suspension acoustique de 8" ou 10" (20 cm ou 25 cm)

HIGH CUT 40-140Hz VOLUME 0-10



PHASE– Mettre sur la position REV (phase inversée)



ADVANCED YAMAHA ACTIVE SERVO TECHNOLOGY

La théorie de l'Active Servo Technology Yamaha repose sur deux principes: cavité résonnante de Helmholtz et circuit d'attaque d'amplificateur à impédance négative. Des enceintes à Active Servo Processing actif reproduit les basses fréquences à travers un "woofer à air" qui est un événement pratiqué sur la face avant de l'enceinte. Cet événement simule le fonctionnement – et est utilisé à la place – de l'enceinte électrodynamique spécial pour basses que l'on trouve dans une enceinte conventionnelle. Suivant la théorie de la cavité résonnante de Helmholtz, de petites oscillations à l'intérieur de la cavité donnent lieu à des oscillations de grandes amplitudes à la sortie de l'événement, si toutefois la taille de l'événement et le volume de la cavité l'enceinte sont correctement proportionnés selon un certain taux.

Les oscillations de l'air contenu dans la cavité doivent de plus satisfaire à des conditions précises et être d'amplitude suffisante pour vaincre l'inertie de la masse d'air de l'enceinte.

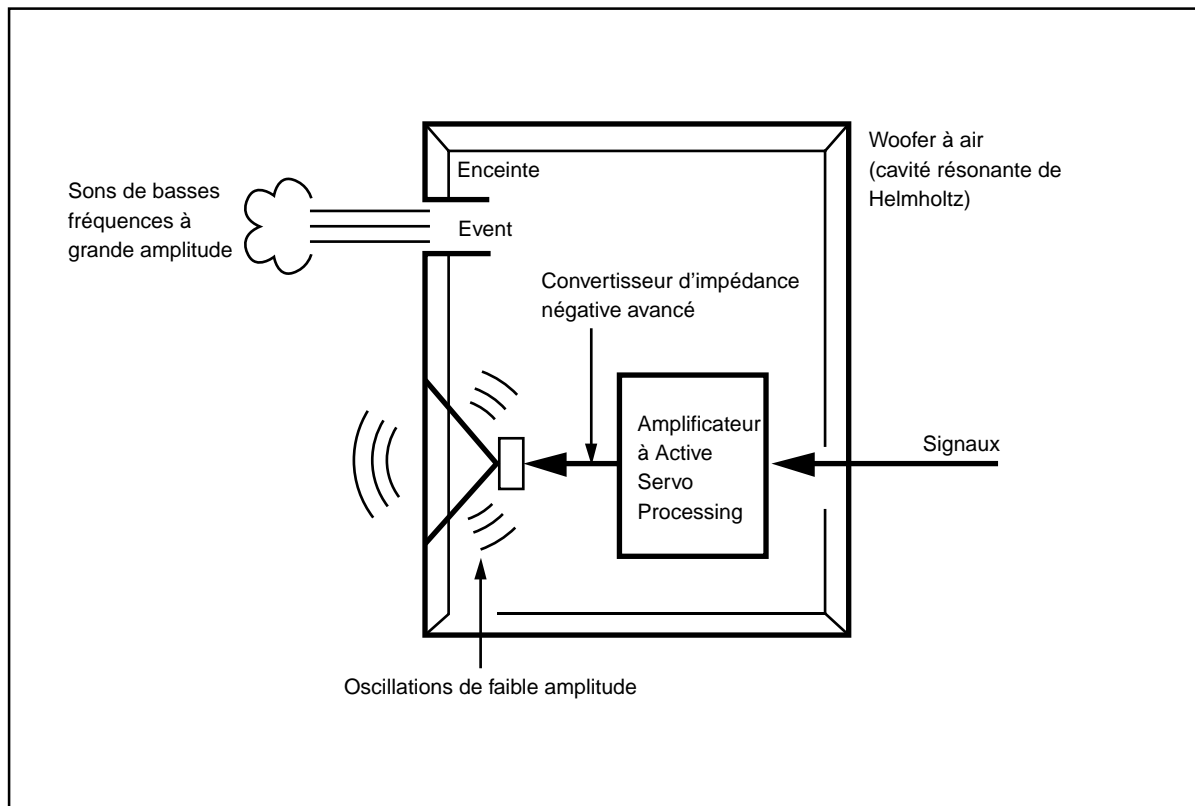
Ce problème est résolu électroniquement grâce à un amplificateur de conception nouvelle qui fournit des signaux spéciaux. Si la résistance électrique de la bobine de l'enceinte pouvait être réduite à zéro, le cône de l'enceinte répondrait de façon linéaire aux variations de voltage du

signal. Ceci peut être simulé grâce à un circuit d'attaque à impédance négative qui soustrait l'impédance de l'enceinte de l'impédance de sortie de l'amplificateur.

Le circuit d'attaque à impédance négative délivre de façon précise le signal basses fréquences à faible amplitude et à facteur d'amortissement supérieur. Ces oscillations importantes sont ensuite émises à la sortie de l'événement. Ce système qui combine un circuit d'attaque à impédance négative et une cavité résonnante de Helmholtz reproduit le son sur une plage de fréquences ultra-large avec une fidélité surprenante et moins de distorsion.

Les caractéristiques décrites ci-dessus constituent ce que nous appelons ici l'Active Servo Technology classique.

Notre nouvelle Active Servo Technology – Advanced Yamaha Active Servo Technology – a adopté les circuits ANIC (Advanced Negative Impedance Converter) qui permet au convertisseur d'impédance négative classique de s'adapter de manière dynamique à la valeur optimale de la variation d'impédance de l'enceinte. Avec ces nouveaux circuits ANIC, la Advanced Yamaha Active Servo Technology peut atteindre des performances plus stables et améliorer la pression sonore par rapport à l'Active Servo Technology classique de Yamaha. Le résultat en est une restitution plus naturelle et dynamique des basses fréquences.



EN CAS DE DIFFICULTE

Se reporter au tableau ci-dessous lorsque l'appareil ne fonctionne pas correctement. Si le problème rencontré n'est pas décrit ci-dessous ou si les instructions données ne suffisent pas à le résoudre, débrancher le cordon d'alimentation et s'adresser à son concessionnaire ou son centre de service YAMAHA.

Problème	Cause	Marche à suivre
L'alimentation électrique ne s'effectue pas, bien que la touche STANDBY/ON est sur la position ON.	Le cordon d'alimentation secteur n'est pas branché ou l'interrupteur POWER est réglé sur la position OFF.	Brancher le cordon d'alimentation sur la prise secteur et/ou mettre l'interrupteur POWER sur la position ON.
Pas de son.	La commande VOLUME est sur 0.	Tourner la commande VOLUME vers la droite.
	Les cordons d'enceintes ne sont pas fermement raccordés.	Les raccorder fermement.
Le niveau sonore est trop bas.	Les cordons d'enceintes ne sont pas correctement raccordés.	Les raccorder correctement, c'est à dire de L (gauche) à L, de R (droite) à R, de "+" à "+", et de "-" à "-".
	Le réglage du commutateur PHASE est incorrect.	Mettre le commutateur sur l'autre position.
	Le son de source contient peu de sons graves.	Faire la lecture d'un son de source contenant des graves. Mettre la commande HIGH CUT sur une position plus haute.
	Les ondes sonores renvoyées par les murs s'annulent.	Changer la position du subwoofer ou modifier le parallélisme des surfaces murales en plaçant des étagères etc. le long des murs.
Le subwoofer n'est pas mis sous tension automatiquement.	L'interrupteur POWER est mis sur la position OFF.	Mettre l'interrupteur POWER sur la position ON.
	La touche STANDBY/ON est sur OFF.	Régler la touche STANDBY/ON sur ON.
	Le commutateur AUTO STANDBY est mis sur la position OFF.	Mettre le commutateur AUTO STANDBY sur la position "HIGH" ou "LOW".
	Le niveau du signal d'entrée est trop bas.	Mettre le commutateur AUTO STANDBY sur la position "HIGH".
Le subwoofer est mis sous tension de manière inattendue.	Le niveau du signal d'entrée est trop bas.	Mettre le commutateur AUTO STANDBY sur la position "HIGH".
Le subwoofer est mis en mode veille de manière inattendue.	L'enclenchement est dû à du bruit produit par des appareils extérieurs, etc.	Eloigner le subwoofer de ces appareils et/ou repositionner les câbles des enceintes raccordées. Ou encore, mettre le commutateur AUTO STANDBY sur la position "OFF".

CARACTERISTIQUES TECHNIQUES

Type Advanced Yamaha Active Servo Technology

Consommation 60W

Pilote Enceinte grave en cône de 25 cm (JA2560)
Type à blindage magnétique

Dimensions (L x H x P) 340 mm x 432 mm x 370 mm

Sortie de l'amplificateur 250W/5Ω

Poids 17 kg

Réponse en fréquence 20 Hz–160 Hz (–10 dB)

Accessoires Patin anti-dérapage x 4

Alimentation

Modèles pour les Etats-Unis et le Canada

..... CA 120V, 60 Hz

Modèles pour le Royaume-Uni et l'Europe

..... CA 230V, 50 Hz

Modèle pour l'Australie CA 240V, 50 Hz

Modèles pour la Chine et général

..... CA 110/120/220/240V, 50/60 Hz

* Noter que toutes les caractéristiques techniques sont modifiables sans préavis.

