



# *NX-U10*

---

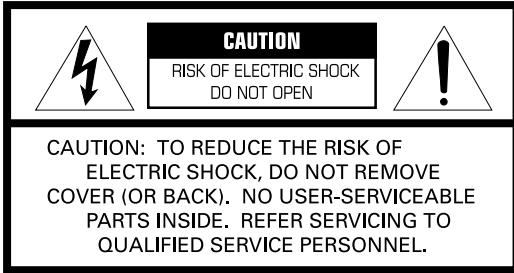
---

*MULTIMEDIA SPEAKER*

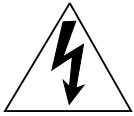
*HAUT-PARLEUR MULTIMEDIA*

**OWNER'S MANUAL  
MODE D'EMPLOI**

# IMPORTANT SAFETY INSTRUCTIONS



## • Explanation of Graphical Symbols



The lightning flash with arrowhead symbol, within an equilateral triangle, is intended to alert you to the presence of uninsulated "dangerous voltage" within the product's enclosure that may be of sufficient magnitude to constitute a risk of electric shock to persons.



The exclamation point within an equilateral triangle is intended to alert you to the presence of important operating and maintenance (servicing) instructions in the literature accompanying the appliance.

### IMPORTANT

Please record the serial number of this system in the space below.

Model:

Serial No.:

The serial number is located on the rear of the main unit.

Retain this Owner's Manual in a safe place for future reference.

- 1 Read these instructions.
- 2 Keep these instructions.
- 3 Heed all warnings.
- 4 Follow all instructions.
- 5 Do not use this apparatus near water.
- 6 Clean only with dry cloth.
- 7 Do not block any ventilation openings. Install in accordance with the manufacturer's instructions.
- 8 Do not install near any heat sources such as radiators, heat registers, stoves, or other apparatus (including amplifiers) that produce heat.
- 9 Do not defeat the safety purpose of the polarized or grounding-type plug. A polarized plug has two blades with one wider than the other. A grounding type plug has two blades and a third grounding prong. The wide blade or the third prong are provided for your safety. If the provided plug does not fit into your outlet, consult an electrician for replacement of the obsolete outlet.
- 10 Protect the power cord from being walked on or pinched particularly at plugs, convenience receptacles, and the point where they exit from the apparatus.
- 11 Only use attachments/accessories specified by the manufacturer.
- 12 Use only with the cart, stand, tripod, bracket, or table specified by the manufacturer, or sold with the apparatus. When a cart is used, use caution when moving the cart/apparatus combination to avoid injury from tip-over.
- 13 Unplug this apparatus during lightning storms or when unused for long periods of time.
- 14 Refer all servicing to qualified service personnel. Servicing is required when the apparatus has been damaged in any way, such as power-supply cord or plug is damaged, liquid has been spilled or objects have fallen into the apparatus, the apparatus has been exposed to rain or moisture, does not operate normally, or has been dropped.



## FCC INFORMATION (for US customers)

### **1 IMPORTANT NOTICE : DO NOT MODIFY THIS UNIT!**

This product, when installed as indicated in the instructions contained in this manual, meets FCC requirements. Modifications not expressly approved by Yamaha may void your authority, granted by the FCC, to use the product.

### **2 IMPORTANT :** When connecting this product to accessories and/or another product use only high quality shielded cables. Cable/s supplied with this product **MUST** be used. Follow all installation instructions. Failure to follow instructions could void your FCC authorization to use this product in the USA.

### **3 NOTE :** This product has been tested and found to comply with the requirements listed in FCC Regulations, Part 15 for Class "B" digital devices. Compliance with these requirements provides a reasonable level of assurance that your use of this product in a residential environment will not result in harmful interference with other electronic devices.

This equipment generates/uses radio frequencies and, if not installed and used according to the instructions found in the users manual, may cause interference harmful to the operation of other electronic devices.

Compliance with FCC regulations does not guarantee that interference will not occur in all installations. If this product is found to be the source of interference, which can be determined by turning the unit "OFF" and "ON", please try to eliminate the problem by using one of the following measures:

Relocate either this product or the device that is being affected by the interference.

Utilize power outlets that are on different branch (circuit breaker or fuse) circuits or install AC line filter/s.

In the case of radio or TV interference, relocate/reorient the antenna. If the antenna lead-in is 300 ohm ribbon lead, change the lead-in to coaxial type cable.

If these corrective measures do not produce satisfactory results, please contact the local retailer authorized to distribute this type of product. If you can not locate the appropriate retailer, please contact Yamaha Electronics Corp., U.S.A. 6660 Orangethorpe Ave, Buena Park, CA 90620.

The above statements apply **ONLY** to those products distributed by Yamaha Corporation of America or its subsidiaries.

## We Want You Listening For A Lifetime

Yamaha and the Electronic Industries Association's Consumer Electronics Group want you to get the most out of your equipment by playing it at a safe level. One that lets the sound come through loud and clear without annoying blaring or distortion – and, most importantly, without affecting your sensitive hearing.

Since hearing damage from loud sounds is often undetectable until it is too late, Yamaha and the Electronic Industries Association's Consumer Electronics Group recommend you to avoid prolonged exposure from excessive volume levels.



## CAUTION: Read this before operating your unit.

To assure the finest performance, please read this manual carefully. Keep it in a safe place for future reference.

- 1 Install this unit in a well ventilated, cool, dry, clean place - away from direct sunlight, heat sources, vibration, dust, moisture, and/or cold. (Do not use/keep this unit in a car etc.)
- 2 Locate this unit away from other electrical appliances, motors, or transformers to avoid humming sounds.
- 3 Do not expose this unit to sudden temperature changes from cold to hot, and do not locate this unit in an environment with high humidity (i.e. a room with a humidifier) to prevent condensation inside this unit, which may cause an electrical shock, fire, damage to this unit, and/or personal injury.
- 4 Avoid installing this unit where foreign objects may fall onto this unit and/or this unit may be exposed to liquid dripping or splashing. On the top of this unit, do NOT place:
  - Other components, as they may cause damage and/or discoloration on the surface of this unit.
  - Burning objects (i.e. candles), as they may cause fire, damage to this unit, and/or personal injury.
  - Containers with liquid in them, as they may fall and liquid may cause electrical shock to the user and/or damage to this unit.
- 5 Do not cover this unit with a newspaper, tablecloth, curtain, etc. in order not to obstruct heat radiation. If the temperature inside this unit rises, it may cause fire, damage to this unit, and/or personal injury.
- 6 Do not plug this unit into a AC wall outlet until all connections are complete.
- 7 Do not operate this unit upside-down. They may overheat, possibly causing damage.
- 8 Do not use force on switches, knobs and/or cords.
- 9 When disconnecting the USB/AC adaptor from the wall outlet, grasp the USB/AC adaptor; do not pull the cord.
- 10 Do not clean this unit with chemical solvents; this might damage the finish. Use a clean, dry cloth.
- 11 Only the voltage specified on this unit must be used. Using this unit with a higher voltage than specified is dangerous and may cause fire, damage to this unit, and/or personal injury. Yamaha will not be held responsible for any damage resulting from use of this unit with a voltage other than that specified.

- 12 Do not attempt to modify or fix this unit. Contact qualified Yamaha service personnel when any service is needed. The cabinet should never be opened for any reason.
- 13 When not planning to use this unit for long periods of time (i.e. when going on vacation), disconnect the USB/AC adaptor from the AC wall outlet.
- 14 Be sure to read the "TROUBLESHOOTING" section regarding common operating errors before concluding that the unit is faulty.
- 15 Before moving this unit, press POWER to set this unit to off, and disconnect the USB/AC adaptor from the wall outlet.
- 16 Be sure to use the USB/AC adaptor supplied with this unit. Using an USB/AC adaptor other than the one provided may cause fire or damage to this unit.
- 17 Install this unit near the wall outlet and where the USB/AC adaptor can be reached easily.
- 18 For added protection for this product during a lightning storm, or when it is left unattended and unused for long periods of time, unplug it from the wall outlet. This will prevent damage to the product due to lightning and power-line surges.
- 19 The batteries shall not be exposed to excessive heat such as sunshine, fire or the like.

This unit features a magnetically shielded design, but there is still a chance that placing it too close to a TV set might impair picture color. Should this happen, move this unit away from the TV set.

### WARNING

TO REDUCE THE RISK OF FIRE OR ELECTRIC SHOCK, DO NOT EXPOSE THIS UNIT TO RAIN OR MOISTURE.

### FOR CANADIAN CUSTOMERS

This Class B digital apparatus complies with Canadian ICES-003.

## CONTENTS

FEATURES .....	1	USING THIS UNIT .....	6
SUPPLIED ACCESSORIES.....	1	About the status indicator (LED).....	6
CONTROLS AND FUNCTIONS .....	1	TROUBLESHOOTING.....	7
CONNECTIONS .....	2	SPECIFICATIONS .....	7
1 When using USB bus power .....	2		
2 When using the USB/AC adaptor.....	4		
3 When using batteries .....	5		

## FEATURES

### ◆ 3 way power supply

You can choose one of three power supplies according to your usage circumstances: USB bus power, USB/AC adaptor or batteries.

### ◆ Digital sound reproduction

The USB connection provides clear sound with little noise.

### ◆ Real stereo sound

The high quality amplifier, titanium diaphragm and Yamaha's unique SR-BASS technology achieve high quality sound.

### ◆ High 20 W power

Yamaha's original power technology enables an impressive 20 W output (Max. Instantaneous Power).

### ◆ Auto loudness function

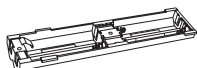
This unit is equipped with an auto loudness function that strengthens the bass sound while playing at low volumes to achieve a more solid sound.

### SR-Bass

"Swing Radiator Bass™" is a trademark of YAMAHA CORPORATION.

## SUPPLIED ACCESSORIES

Please check that you received all of the following parts.



Battery holder



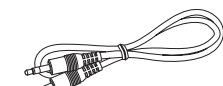
Carrying case



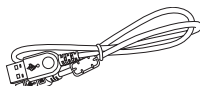
USB/AC adaptor  
The shape of the adaptor may vary depending on the area where you purchased.



Non-skid pad x 2  
(including 1 spare)



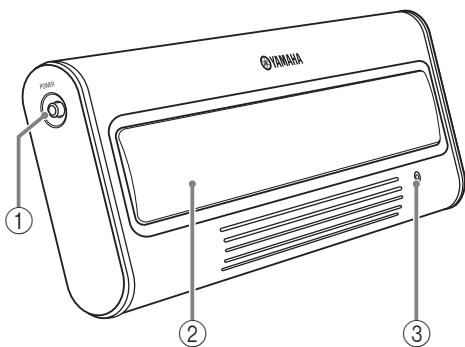
3.5 mm stereo mini plug cable  
(0.5 m (19-11/16"))



USB cable  
(1 m (39-3/8"))

(U.S.A. and Canada models:	WJ84090)
(Taiwan model:	WJ84540)
(China model:	WJ84570)
(Australia model:	WJ84590)
(Europe and Asia models:	WJ84610)
(U.K. model:	WJ84620)
(Korea model:	WJ84640)

## CONTROLS AND FUNCTIONS



### ① POWER switch

Turns this unit on. Press this switch again to turn this unit off. When this unit is on, the status indicator (LED) lights up.

### ② Speaker

Outputs the sound of the connected device.

### ③ Status indicator (LED)

Indicates the current status of this unit. For details, refer to "About the status indicator (LED)" on page 6.

### ④ VOLUME dial

Adjusts the volume level. Rotate the dial in the direction of the + symbol to increase the volume and in the direction of the - symbol to decrease the volume.

### ⑤ PORTABLE jack

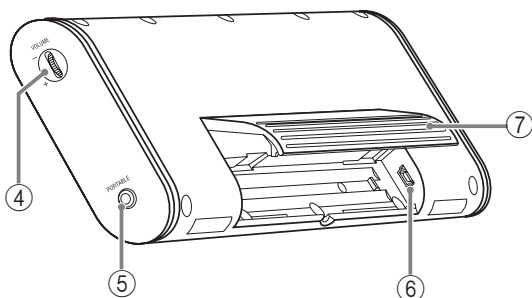
Connect a portable audio player, etc. to this jack.

### ⑥ USB jack

Connect the small plug of the USB cable to this jack.

### ⑦ Stand

Use the stand when you set up this unit.



# CONNECTIONS

Use the procedure below to choose one of the three power supplies according to your usage circumstances.

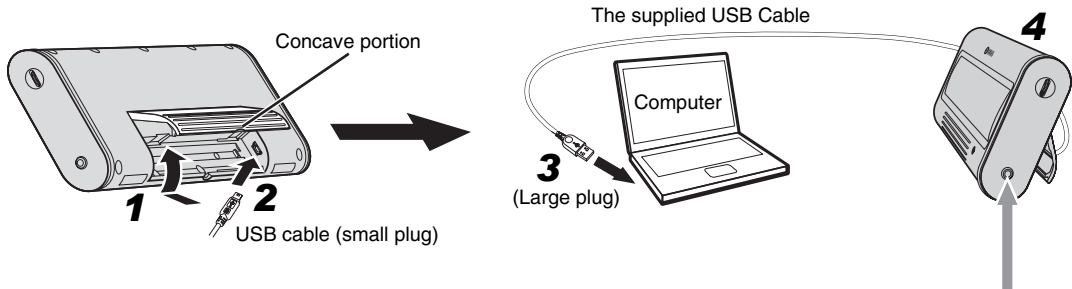
- 1 When using USB bus power (this page)**
- 2 When using the USB/AC adaptor (page 4)**
- 3 When using batteries (page 5)**

## Notes

- Before connecting, make sure that POWER switch on this unit is turned off.
- Before connecting, make sure that VOLUME dial on this unit is set to the minimum.

## 1 When using USB bus power

When you connect the USB port for the first time, you need to download USB drivers into your computer. For the procedure of the installing USB drivers, see “Installation of USB drivers” on page 3.



- 1 Press and hold the concave portion on the stand and open it upward.**
- 2 Connect the small plug of the supplied USB cable to the USB jack of this unit.**
- 3 Connect the large plug of the USB cable to the USB port of your computer.**

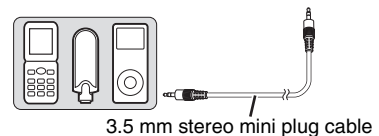
## Note

Never connect your computer via an USB hub. This unit may not work properly.

- 4 Put this unit on a flat surface (a desk etc.) using the stand.**

## Note

When setting up this unit, do not apply force to the top of this unit. Doing so may cause damage or break the stand.



## Enjoying sounds of a portable audio player using the USB bus power

You can also enjoy the sound of a portable audio player using a computer as power source when you connect a portable audio player to the PORTABLE jack of this unit using the supplied 3.5 mm stereo mini plug cable.

## Note

In this case, the sound output from this unit is mixed with the sound from your computer. Adjust the mixing level using volumes of your computer's media player or your portable audio player.

## ■ Installation of USB drivers

The installation procedure is variable depending on OS. After "Common operations" below, follow the installation procedure for your OS.

- You may need the CD-ROM of the OS running on your computer to install the device drivers. For details, refer to the manuals of your computer.
- The following installation procedures for the device driver installation method may not be applicable to certain PC environments. In this case, follow the instructions given in the displayed dialog boxes. Consult the PC manufacturer or your computer dealer in case of doubt.
- When you change the connecting USB port to another one, it may be required to reinstall the USB driver.
- The displayed messages etc. may vary depending on your computer or OS.
- When installing USB drivers into an OS other than the ones mentioned below, refer to the manuals of your computer.

### Common operations

**1 Switch on your computer to boot the OS.**

**2 Connect this unit to your computer.**

For the connection method, see steps 1 to 4 in "When using USB bus power" on page 2.

### Installing on Windows XP, Windows 2000 or Mac OS\*

**Press POWER to switch on this unit.**

Your computer detects this unit and installs the necessary devices automatically.

This unit gets ready for use after completion of the installation.

\* (Mac OS 9.1 or later, Mac OS X 10.0 or later)

### Installing on Windows Me

**1 Press POWER to switch on this unit.**

**2 Install the USB-Compatible Device.**

Your computer automatically detects the "USB-Compatible Device" and installs it.

**3 Install the USB Audio Device.**

[Add New Hardware Wizard] is displayed



Window: [Windows has found the following new hardware] Check "USB Audio Device" is displayed

Window: When [Digital signature confirmation] is displayed

Check "USB Audio Device" is displayed

Select [Yes]

▼ Click [OK]

Select "Automatic search for a better driver. [Recommended]"

▼ Click [Next]

Your computer automatically detects the "USB Audio Device" and installs it.

Check "Windows has finished installing the software for the new hardware device" is displayed

Click [Finish]

**4 Install the USB Human Interface Device.**

Your computer automatically detects the "USB Human Interface Device" and installs it.

This unit gets ready for use after completion of the installation.

### Installing on Windows 98SE

**1 Press POWER to switch on this unit.**

[Add New Hardware Wizard] is displayed

**2 Install the USB-Compatible Device.**

Window: [This wizard searches for new drivers for]

Check "USB-Compatible Device" is displayed

▼ Click [Next]

Select "Search for the best driver for your device.

[Recommended]"

▼ Click [Next]

Select "CD-ROM Drive"

\*At this time, leave the items checked by default.

▼ Click [Next]

Window: When [Add New Hardware Wizard] is displayed

Select "The updated driver [Recommended]"

▼ Click [Next]

Window: [Windows driver file search for the device]

Check "USB-Compatible Device" is displayed

▼ Click [Next]

Check "Windows has finished installing the software that your new hardware device requires." is displayed

Click [Finish]

**3 Install the USB Human Interface Device.**

Window: [This wizard searches for new drivers for]

Check "USB Human Interface Device" is displayed

▼ Click [Next]

Select "Search for the best driver for your device.

[Recommended]"

▼ Click [Next]

Select "CD-ROM Drive"

\*At this time, leave the items checked by default.

▼ Click [Next]

Window: [Windows driver file search for the device]

Check "USB Human Interface Device" is displayed

▼ Click [Next]

Check "Windows has finished installing the software that your new hardware device requires." is displayed

Click [Finish]

**4 Install the USB Audio Device.**

Window: [This wizard searches for new drivers for]

Check "USB Audio Device" is displayed

▼ Click [Next]

Select "Search for the best driver for your device.

[Recommended]"

▼ Click [Next]

Select "CD-ROM Drive"

\*At this time, leave the items checked by default.

▼ Click [Next]

Window: [Windows driver file search for the device]

Check "USB Audio Device" is displayed

▼ Click [Next]

Check "Windows has finished installing the software that your new hardware device requires." is displayed

Click [Finish]

This unit gets ready for use after completion of the installation.

## When the inserted Windows 98SE CD-ROM is not recognized

Even when the CD-ROM is inserted, your computer may display an error message if it cannot find the location of the CD-ROM drive. In this case, it is required to specify the location manually.

## If this error occurs during installation of USB Human Interface Device:

Window: [Disc insertion] (Error message)

▼ Click [OK]

Window: [Open]

"Drive (V):" (Pull-down menu)

↳ Select the drive in which the CD-ROM is inserted

"Folder (F):" (Field)

↳ Select [win98]

"Filename (N):" (Field)

↳ Select [base6.cab]

▼ Click [OK]

Window: [Copy File]

"File Copy Source (C):" (Field)

↳ Check the drive name selected above

▼ Click [OK]

Check "Windows has finished installing the software that your new hardware device requires." is displayed

Click [Finish]

## If this error occurs during installation of USB Audio Device:

Window: [Disc insertion] (Error message)

▼ Click [OK]

Window: [Open]

"Drive (V):" (Pull-down menu)

↳ Select the drive in which the CD-ROM is inserted

"Folder (F):" (Field)

↳ Select [win98]

"Filename (N):" (Field)

↳ Select [driver21.cab]

▼ Click [OK]

Window: [Copy File]

"File Copy Source (C):" (Field)

↳ Check the drive name selected above

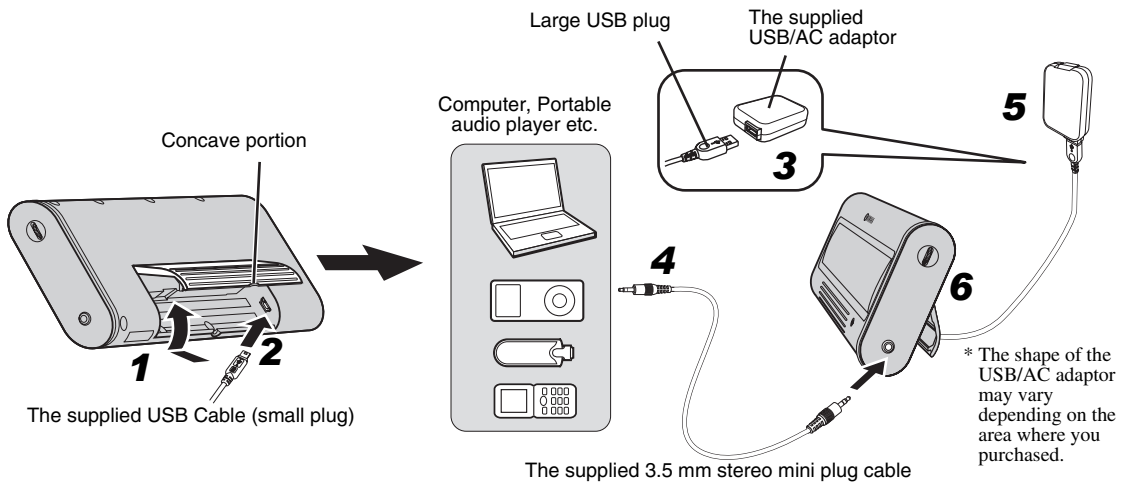
▼ Click [OK]

Check "Windows has finished installing the software that your new hardware device requires." is displayed

Click [Finish]

- Windows is a registered trademark of Microsoft Corporation in the United States and/or other countries.
- Macintosh is a trademark of Apple Computer, Inc., registered in the United States and other countries.

## 2 When using the USB/AC adaptor



- 1** Press and hold the concave portion on the stand and open it upward.
- 2** Connect the small plug of the supplied USB cable to the USB jack of this unit.
- 3** Connect the large plug of the USB cable to the USB/AC adaptor.

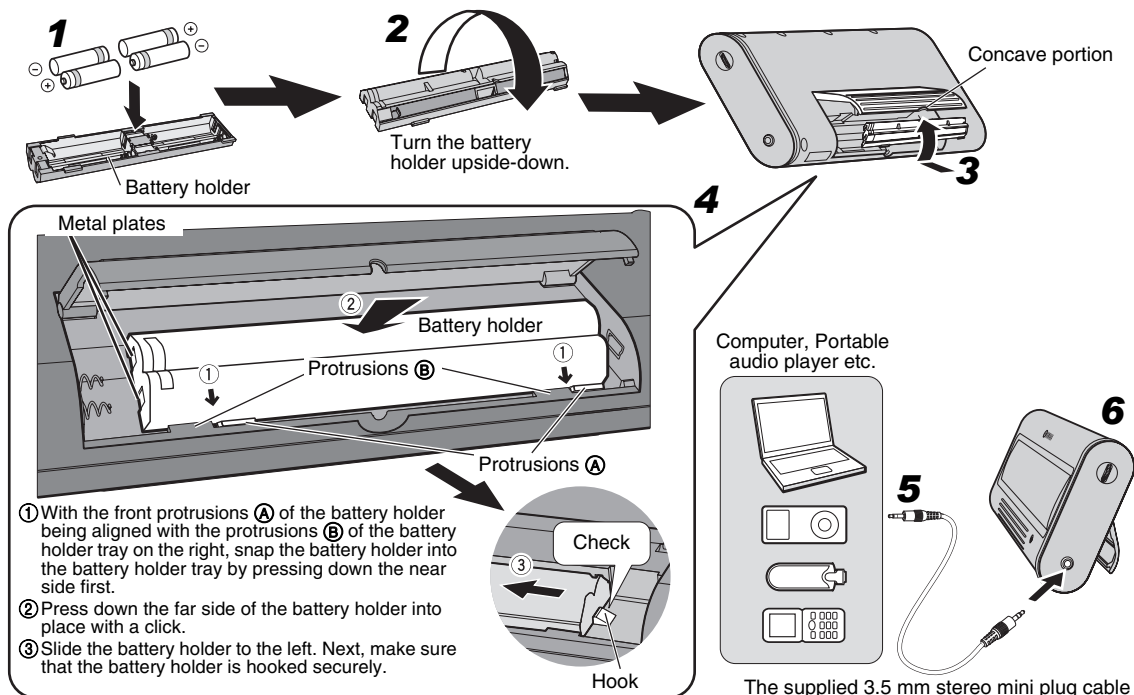
- 4** Connect an audio output jack of your portable audio player and the PORTABLE jack of this unit using the supplied 3.5 mm stereo mini plug cable.
- 5** Plug the USB/AC adaptor to the AC wall outlet.
- 6** Put this unit on a flat surface (a desk etc.) using the stand.

### Note

When setting up this unit, do not apply force to the top of this unit. Doing so may cause damage or break the stand.



### 3 When using batteries



You cannot insert the battery holder into this unit when connecting the USB plug. Unplug the USB cable from this unit before inserting the battery holder.

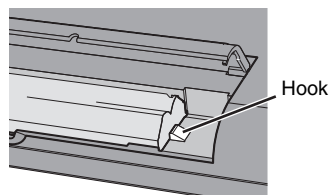
- 1** Insert 4 commercially available AAA, R03, UM-4 batteries (alkaline or nickel-hydride batteries) into the battery holder.  
Make sure you insert the batteries according to the polarity markings (+ and -).
- 2** Turn the battery holder upside-down.
- 3** Press and hold the concave portion on the stand and open it upward.
- 4** Insert the battery holder into this unit.
- 5** Connect an audio output jack of your portable audio player and the PORTABLE jack of this unit using the supplied 3.5 mm stereo mini plug cable.
- 6** Put this unit on a flat surface (a desk etc.) using the stand.

#### Note

When setting up this unit, do not apply force to the top of this unit. Doing so may cause damage or break the stand.

### When removing the battery holder

Push down the hook, and then slide the battery holder rightward to remove the battery holder.



### About batteries

#### Notes

- We recommend using alkaline or nickel-hydride batteries. Manganese batteries provide short battery life.
- Do not use an old battery together with a new one.
- Do not use different types of batteries (such as alkaline and nickel-hydride batteries) together. Each type of battery has its own characteristics even if they are similar in shape.
- When not planning to use this unit for long periods of time (for more than 1 month), remove the batteries from the battery holder.
- If the batteries have leaked, dispose of them immediately. Avoid touching the leaked material or letting it come into contact with clothing, etc. Clean the battery compartment thoroughly before installing new batteries.
- Do not throw away batteries with general house waste; dispose of them correctly in accordance with your local regulations.

## USING THIS UNIT

- 1 Press POWER to turn this unit on. (The status indicator (LED) lights up.)**
- 2 Start playback of your computer's media player or your portable audio player.**
- 3 Adjust the volume level using VOLUME on this unit.**

### Note

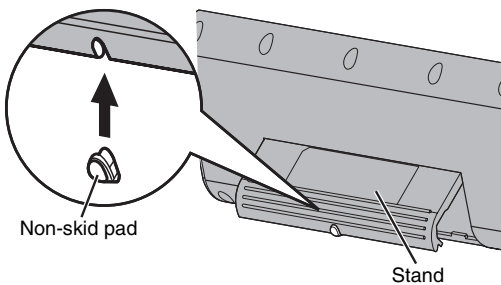
Do not unplug the USB cable from your computer during playback. Doing so may cause your computer to freeze.



- When connecting to your computer, we recommend that adjusting the volume level using VOLUME on this unit after setting the volume level of your computer and media player to the maximum.
- When not using this unit, turn its power off to save power.

### ■ About the non-skid pad

When playing back a source with low frequency sounds, this unit may vibrate. To get rid of the vibration noise, attach the supplied non-skid pad.



### ■ After using this unit

- 1 Rotate VOLUME to set this unit's volume level to the minimum.**
- 2 Stop playback of your computer's media player or your portable audio player.**
- 3 Press POWER to turn this unit off. (The status indicator turns off.)**

### Note

Do not pull forcibly on the USB cable when disconnecting it. Doing so may damage the USB cable/plug.

### About the status indicator (LED)

LED status	The current status of this unit
Lit	This unit is on.
Off	This unit is off, or power supply is not connected.
Turning on and off repeatedly	Limiter control has been activated due to excessive input. (Turn down the volume level until the LED stops flashing.)

## TROUBLESHOOTING

If the problem you are experiencing is not listed below, set this unit to off, disconnect the power, and contact the nearest authorized Yamaha dealer or service center.

### General

Problem	Cause	Remedy
<b>No sound.</b>	The connection between this unit and the portable audio player or computer is not correct or securely.	Connect securely.
	The volume is set to the minimum.	Increase the volume.

When using the USB bus power

Problem	Cause	Remedy
<b>The volume level cannot be increased even if this unit's VOLUME dial is rotated in the direction of the + symbol.</b>	The setting of audio device on your computer is wrong.	Set the audio device to Windows: "USB Audio DAC" Macintosh: "USB DAC".
<b>No sound from this unit.</b>	Failure to install the USB driver.	Install the USB driver again.
<b>The volume level cannot be increased.</b>	The volume of your computer or the media player is not set to maximum.	Increase the volume.

### Note

The limiter is activated temporarily to decrease the volume output when there is a continuous excessive output. While the limiter is activated, the status indicator turns on and off repeatedly. Turn down the volume until the indicator flashing stops.

## SPECIFICATIONS

### Speaker section

Type .....	Yamaha SR-BASS technology
Driver .....	38 mm Ti-cone full-range driver x 2 Magnetic shielding type
Impedance .....	6 Ω

### Amplifier section

#### Input

Analog (PORTABLE) .....	3.5 mm Stereo mini jack
Digital (USB) .....	USB terminal

**Dynamic power** ..... 6 W x 2 (1 kHz, 6 Ω)

**Max. Instantaneous Power\***  
..... 10 W x 2 (1 kHz, 6 Ω, 10% THD)

#### Input sensitivity/Impedance

PORTABLE input ..... 300 mV/10 kΩ

#### Maximum input signal

PORTABLE input ..... 2.0 V

**Frequency response** ..... 90 Hz to 20 kHz

\* Refers to the power that can be output for 100 ms continuously.

### USB section

#### Computer

... Computer equipped with a USB port on which a Windows or Macintosh operating system is installed.

#### OS

..... Windows XP, 2000, Me, 98SE  
..... Mac OS 9.1 or later, Mac OS X 10.0 or later

### General

#### Power Supply

USB bus power .....	5 V/500 mA
USB/AC adaptor .....	5 V/500 mA
Battery .....	AAA, R03, UM-4

Battery life: 3 hours as alkaline  
(Output: 10 mW + 10 mW)

#### Power Consumption (When the USB/AC adaptor is used)

..... Less than 5 W

**Dimensions (W x H x D)** ..... 248 x 100 x 33 mm  
(9-3/4" x 3-15/16" x 1-5/16")

**Weight** ..... 500 g  
(1 lbs. 2 oz.)

Please note that all specifications are subject to change without notice.



©2007 YAMAHA CORPORATION All rights reserved.

YAMAHA ELECTRONICS CORPORATION, USA 6660 ORANGETHORPE AVE., BUENA PARK, CALIF. 90620, U.S.A.  
YAMAHA CANADA MUSIC LTD. 135 MILNER AVE., SCARBOROUGH, ONTARIO M1S 3R1, CANADA  
YAMAHA ELECTRONIK EUROPA G.m.b.H. SIEMENSSTR. 22-34, 25462 RELLINGEN BEI HAMBURG, GERMANY  
YAMAHA ELECTRONIQUE FRANCE S.A. RUE AMBROISE CROIZAT BP70 CROISSY-BEAUBOURG 77312 MARNE-LA-VALLEE CEDEX02, FRANCE  
YAMAHA ELECTRONICS (UK) LTD. YAMAHA HOUSE, 200 RICKMANSWORTH ROAD WATFORD, HERTS WD18 7GQ, ENGLAND  
YAMAHA SCANDINAVIA A.B. J A WETTERGRENS GATA 1, BOX 30053, 400 43 VÄSTRA FRÖLUNDA, SWEDEN  
YAMAHA MUSIC AUSTRALIA PTY, LTD. 17-33 MARKET ST., SOUTH MELBOURNE, 3205 VIC., AUSTRALIA

YAMAHA CORPORATION  
Printed in China ◀ WJ79290