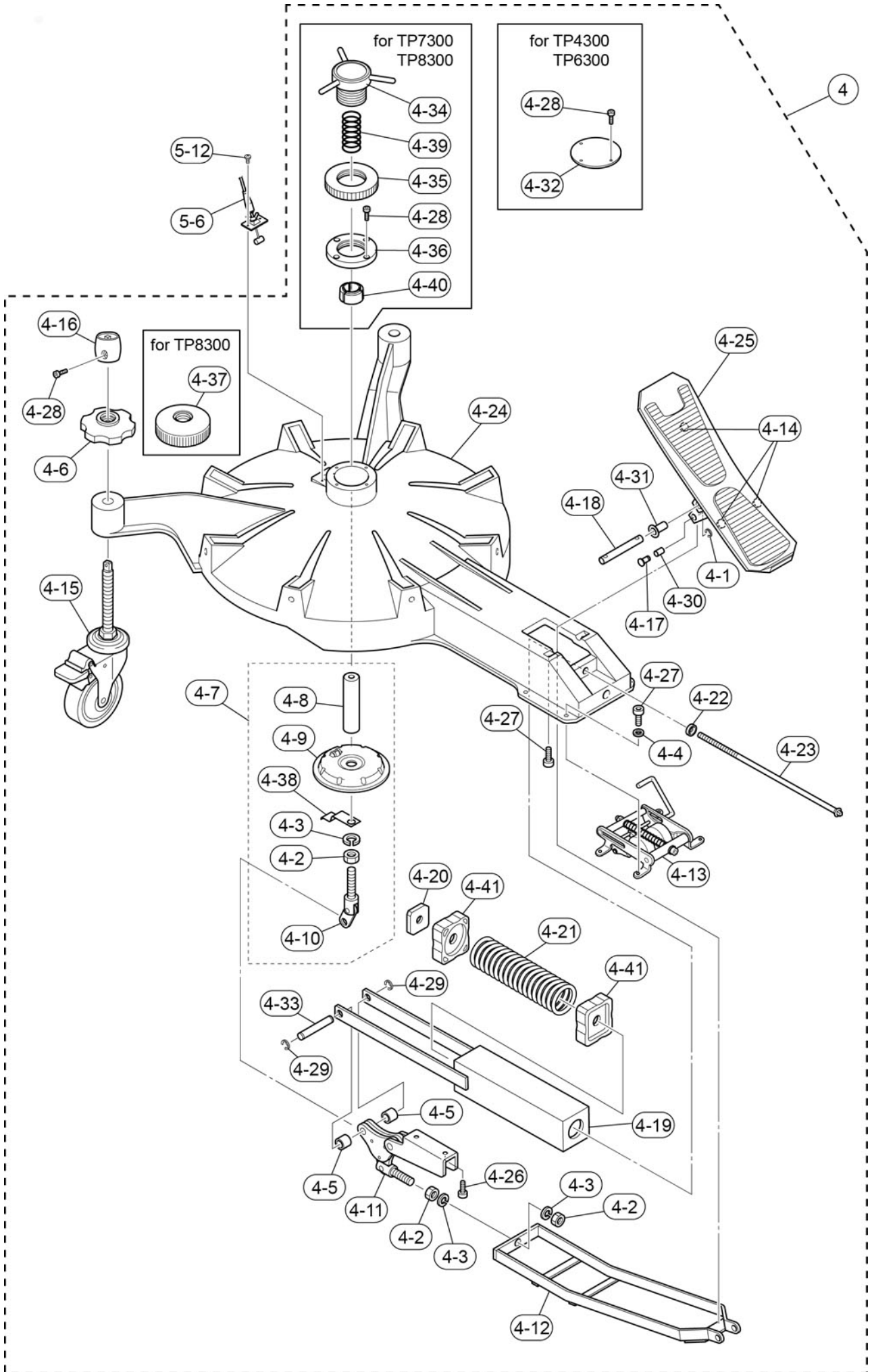


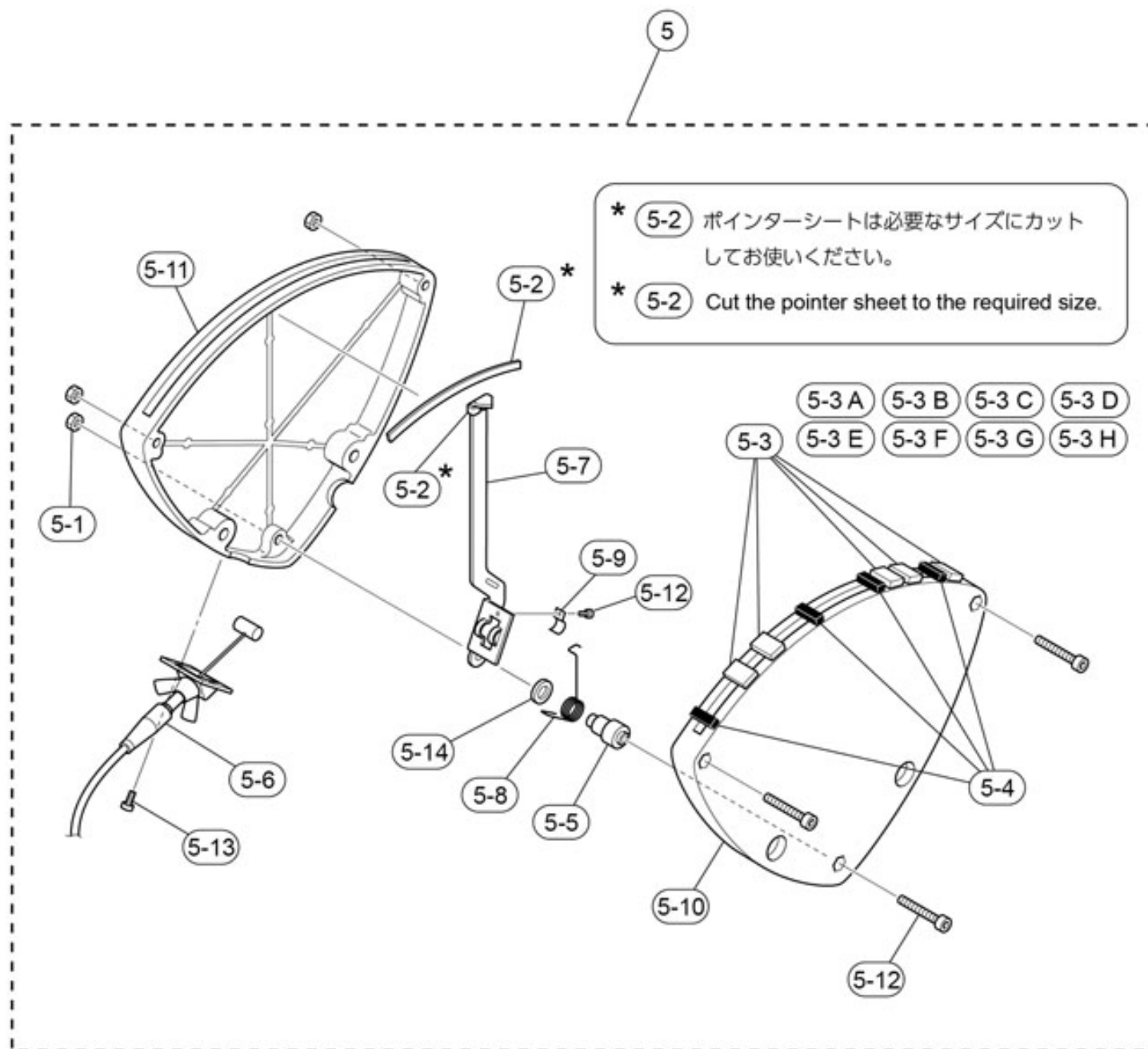
27

ヘッドカバー
Head Cover

* 21 リングシートは1本約1mです。
ティンパニのサイズ毎に以下の本数
が必要です。
・20", 23": 2本 ・24" - 32": 3本

* 21 Each ring sheet is about 1
meter in length. The number of
rings required for each size of
timpani is as follows.
・20", 23": x2 ・24" - 32": x3





ティンパニー R モデル別 ノート使用数

パーツNO	名称	TP4323R	TP4326R	TP4329R	TP4332R	TP6320R	TP6323R	TP6326R	TP6329R	TP6332R
ZT 805100	ノートFA	0	1	1	1	1	0	1	1	1
ZT 805200	ノートFB	0	1	1	0	1	0	1	1	0
ZT 805300	ノートFC	1	1	1	0	1	1	1	1	0
ZT 805400	ノートFD	1	1	0	1	0	1	1	0	1
ZT 805500	ノートFE	1	1	0	1	1	1	1	0	1
ZT 805600	ノートFF	1	1	1	1	1	1	1	1	1
ZT 805700	ノートFG	1	0	1	1	1	1	0	1	1
ZT 805900	ノートF#	4	3	4	4	3	4	3	4	4

パーツNO	名称	TP7320R	TP7323R	TP7326R	TP7329R	TP7332R	TP8320R	TP8323R	TP8324R	TP8326R	TP8327R	TP8329R	TP8332R
ZT 805100	ノートFA	1	0	1	1	1	1	0	0	1	1	1	1
ZT 805200	ノートFB	1	0	1	1	0	1	0	1	1	1	1	0
ZT 805300	ノートFC	1	1	1	1	0	1	1	1	1	1	1	0
ZT 805400	ノートFD	0	1	1	0	1	0	1	1	1	1	0	1
ZT 805500	ノートFE	1	1	1	0	1	1	1	1	1	1	0	1
ZT 805600	ノートFF	1	1	1	1	1	1	1	1	1	0	1	1
ZT 805700	ノートFG	1	1	0	1	1	1	1	1	0	0	1	1
ZT 805900	ノートF#	3	4	3	4	4	3	4	3	3	4	4	4

Model Name : TP-4326R

Ref No.	Parts No.(ChangeNo.)	English Name	Minimum Delivery	Accept order or not
1	ZF110900	HOOP ASSY K6-26	1 PC	
10	ZY235400	WIRE CRUMP K L25mm SP	1 PC	
12	ZF184300	BOLT 8 M8X25 MFZN2B3	1 PC	
14	WE950300	SCREW MACHINE +FLAT 6.0X25 MFZN2W3	1 PC	
15	WE950400	SCREW MACHINE +FLAT 6.0X30 MFZN2W3	1 PC	
16	ZF186200	DOMED CAP NUT 6	1 PC	
17	WF556300	SPRING WASHER 4.0 MFZN2B3 KP125	1 PC	
18	ZF185100	BOLT 6.0X35 MFZN2B3	ST	
19	WF723600	PLAIN WASHER SMALL 6X11.5X0.8 MFZN2W3	1 PC	
2	ZF110400	SUSPENSION RING K6-23	1 PC	
20	ZP345800	FELT SHEET 35X14X4	1 PC	
21	ZT852800	RING SHEET R 12X970X0.48	1 PC	
23	ZT798800	KEY CRIP KR	1 PC	
24	WH917400	WRENCH 5MM TP-43/63/73	1 PC	
25	W1005100	TUNING KEY	1 PC	Discontinued.
26	ZS825700	BOLT 6.0X10 MFZN2B3	1 PC	
27	W6695230	TIMPANI HEAD COVER 23" TP6023,4023	1 PC	
28	22971700	Cohesion tape	ST	ORDER STOP
3	ZF111800	FRAME ASSY K6	1個 PC	Discontinued.
3-1	ZF113400	TNJ ASSY	1 PC	
3-2	ZF113500	TSJ ASSY	1 PC	
3-3	ZF121300	TNJAXIS K	1 PC	
3-4	ZF121600	TSJAXIS K	1 PC	
3-5	ZF121700	TUNING ROD K6	1 PC	
3-6	ZF126500	FRAME K	1 PC	
3-7	ZH232100	SPACER T5	1 PC	
3-8	ZH232300	SPACER T2	1 PC	
4	ZT798600	BASE ASSY K6S R	ST	
4-1	WF245101	E RING 4.0 MFZN2W3	PC	
4-10	ZK806900	CENTER LINK ASSY K	1 PC	
4-11	ZF112400	CT LINK ASSY	1 PC	
4-12	ZF112500	PEDAL LINK ASSY K6	1 PC	
4-13	ZT791000	PEDAL CASTER R ASSY	1 PC	
4-14	ZF115000	BANPON TM166-03	1 PC	
4-15	ZT806500	CASTER 916EA-UZ100 L120	1 PC	
4-16	ZT798900	BOLT CAP	1 PC	
4-17	ZW762000	PEDAL ROD R	PC.	
4-18	ZF123600	PEDAL AXIS K	1 PC	
4-19	ZF123700	SPRING CASE K6	1 PC	
4-2	WF557400	NUT HEX M8 #1	1 PC	

Model Name : TP-4326R

Ref No.	Parts No.(ChangeNo.)	English Name	Minimum Delivery	Accept order or not
4-21	ZX376000	SPRING 52-30150	1 PC	
4-22	ZF124200	COLLAR K	1 PC	
4-23	ZF124300	SPRING BOLT	1 PC	
4-24	ZF126600	BASE K6	1 PC	
4-25	ZF126800	PEDAL K	1 PC	
4-26	ZF184600	BOLT 6.0X15 MFZN2W3	1 PC	
4-27	ZF184800	BOLT 5.0X12 MFZN2B3	1 PC	
4-28	ZF184900	BOLT 4.0X12 MFZN2B3	1 PC	
4-29	ZF187000	E RING 6.0 SUS	1 PC	
4-3	WF628200	WASHER SPRING #2 8.0 MFZN2W3	1 PC	
4-31	ZH157500	BUSH HPF-1010	1 PC	
4-32	ZJ298000	TOP COVER K	1 PC	
4-33	ZJ547100	SPRING SHAFT K	1 PC	
4-37	ZF109200	CASTER LOCK	1 PC	
4-38	ZT854800	END SPRING SR	1 PC	
4-39	ZF115100	PAC SPRING SAMINI NO.11-2821	1 ST	
4-4	WG634300	FLAT WASHER M5.0X10X1 MFZN2B3 KP125	1 PC	
4-40	ZF108900	PAC BRAKE	1 PC	
4-5	ZF108800	SPACER 8,14,12	1 PC	
4-6	ZF109200	CASTER LOCK	1 PC	
4-7	ZT854900	SPIDER ASSY K6SR	1 PC	
4-9	ZF122100	SPIDER K6	1 PC	
5	ZF113100	TI ASSY K26	1 PC	Discontinued.
5-1	WF557500	HEXAGONAL NUT M4 #1 DGC1B	1 PC	
5-10	ZF126900	TI CASE L	1 PC	
5-11	ZF127000	TI CASE R	1 PC	
5-12	ZF185000	BOLT 4.0X28 MFZN2B3	1 PC	
5-13	ZF186600	SCREW MACHINE WPAN 3.0X6 MFZN2B3	1 PC	
5-14	ZF109100	POM WASHER 6.2,12,T1	1 PC	
5-2	ZF108600	POINTER SHEET W4XL18XT1	1 PC	
5-3 A	ZT805100	NOTE R A	1 PC	
5-3 B	ZT805200	NOTE R B	1 PC	
5-3 C	ZT805300	NOTE R C	1 PC	
5-3 D	ZT805400	NOTE R D	1 PC	
5-3 E	ZT805500	NOTE R E	1 PC	
5-3 F	ZT805600	NOTE R F	1 PC	
5-3 G	ZT805700	NOTE R G	1 PC	
5-3 H	ZT805800	NOTE R H	1 PC	
5-4	ZT805900	NOTE R #	1 PC	
5-5	ZF110200	POINTER AXIS	1 PC	

