

YAMAHA

XYLOPHONE

OWNER'S MANUAL

YX-135

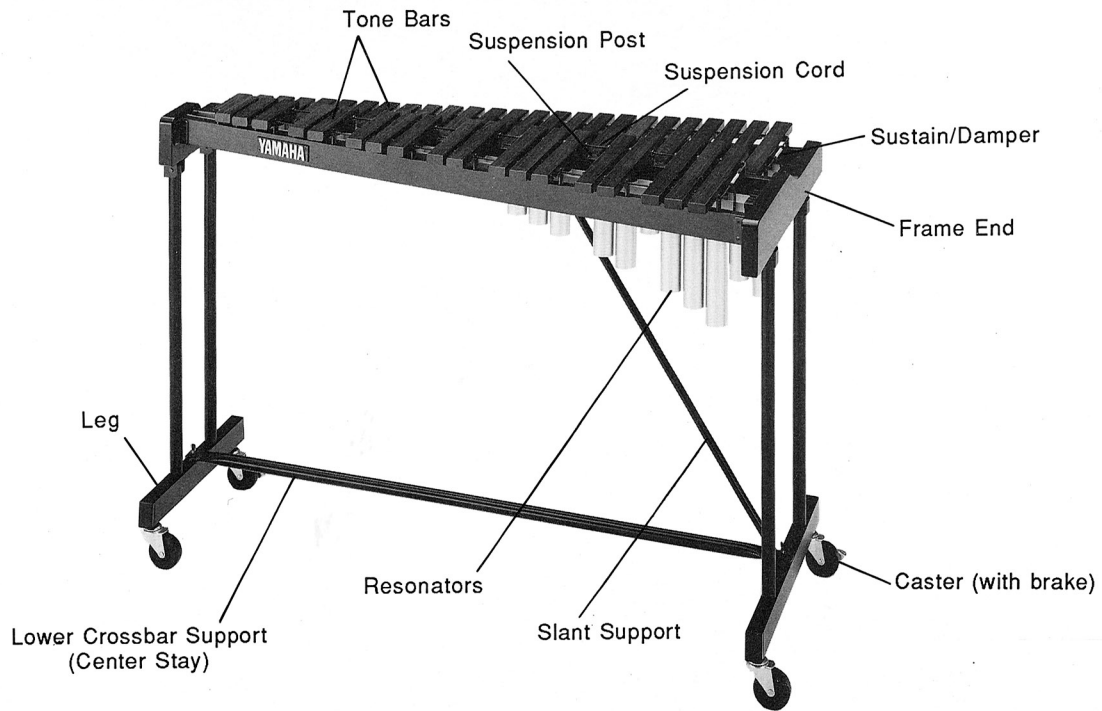
Thank you for selecting a YAMAHA
musical instrument. We are confident that
the instrument will bring you years
of musical enjoyment and satisfaction.

Please read through this booklet carefully. It contains
important information about your instrument's care.
Your new YAMAHA instrument, like all YAMAHA musical
instruments, is the result of careful planning, testing
and assembly using select materials. Proper care
will ensure that your YAMAHA instrument will deliver
its full and rich sound for years to come.

Contents

NOMENCLATURE	2
ASSEMBLY	3
PRECAUTIONS AND CARE	7
SPECIFICATIONS	8
YAMAHA MALLETS	9

NOMENCLATURE



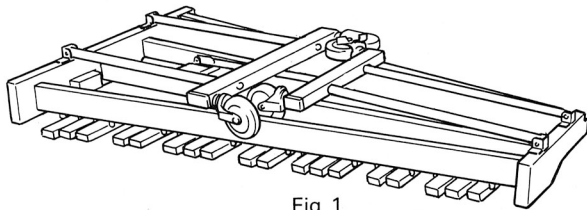


Fig 1

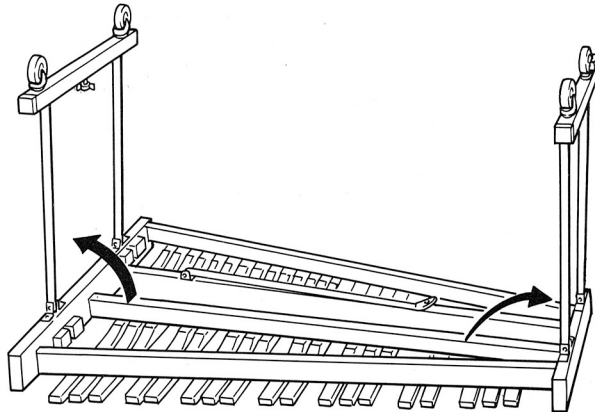


Fig 2

- 1 Place the instrument upside down on the floor. (Fig 1)
- 2 Make the left and right legs stand. (Fig 2)

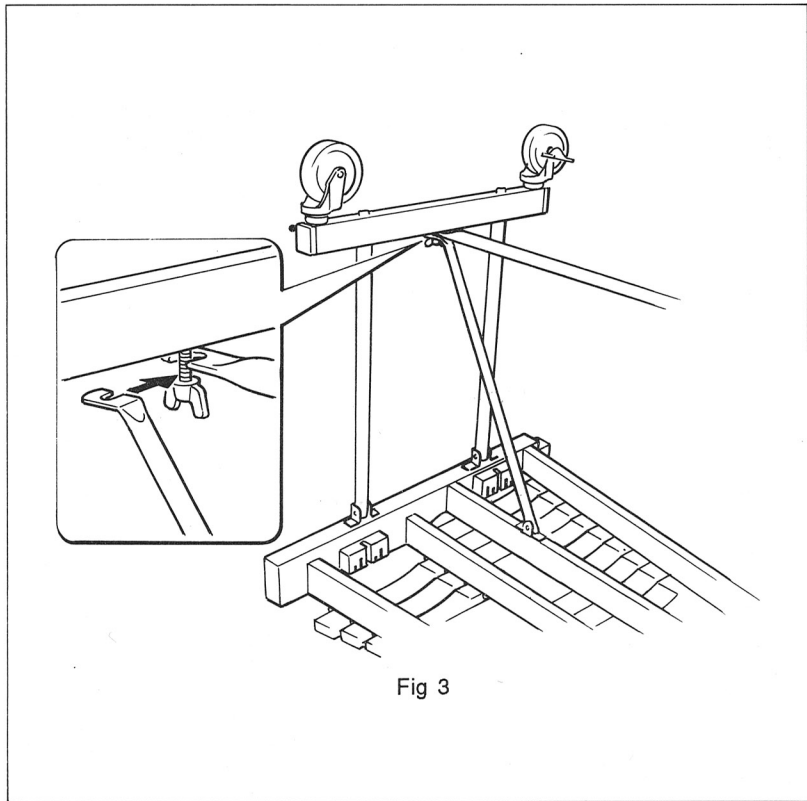
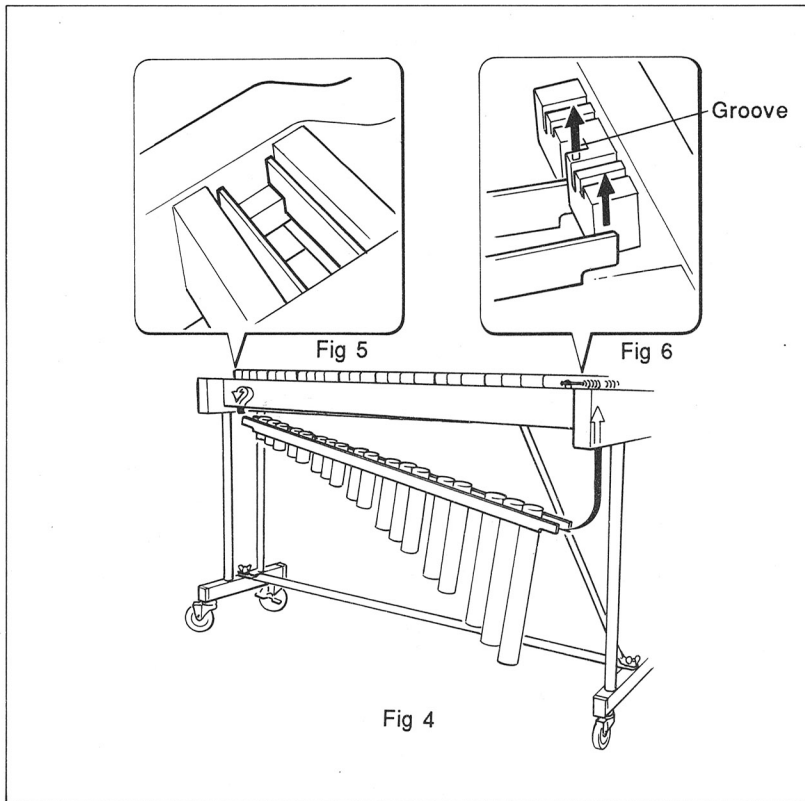


Fig 3

- ③ First fit the lower crossbar support to the leg base, then attach the slant support with the same bolts used for fixing the center stays. (Fig 3)
- ④ Stand the instrument in upright position.



- 5 Insert the resonators from the bottom side of the instrument. (Fig 4) Place the resonators on the treble side first, then on the bass end. (Fig 5) When placing the resonators on the bass end, slide them through the groove in the center of the resonator holder. (Fig 6)

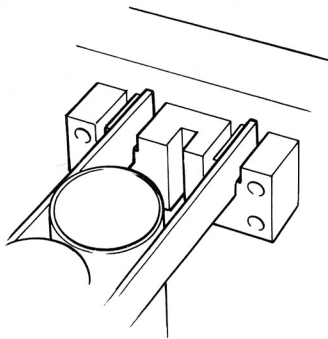


Fig 7

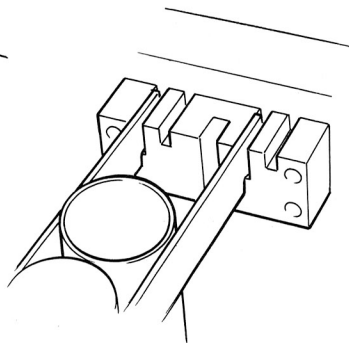


Fig 8

- ⑥ If the room temperature is higher than 22°C (72°F), place the resonators in the shallower groove. (Fig 7) If the room temperature is lower than 22°C (72°F) place them in the deeper groove. (Fig 8)
- ⑦ Check again that the suspension cord is tight and that the screws are securely fastened. If the tone bars are dirty, wipe them with a soft, dry cloth.

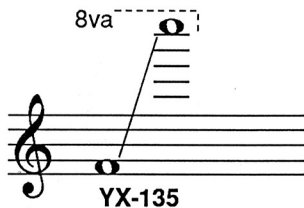
PRECAUTIONS AND CARE

- ① Do not use extra hard-head mallets or other hard materials to strike the tone bars. This could scratch or dent them.
- ② If the suspension cords are loose or unseated, resonance will be reduced. Check that the suspension cord is properly seated on each suspension post.
- ③ Avoid placing heavy objects on the tone bars as this may bend or twist the frame and loosen the suspension cords.
- ④ When transporting long distances, disassemble and pack carefully. Disassemble by reversing the assembly procedure.
- ⑤ Extremes in temperature and humidity will adversely affect the sound quality. Avoid high temperatures or humidity and do not store in direct sunlight.
- ⑥ Clean the instrument with a soft dry cloth. Do not use cloths dampened with chemical cleaning agents.

SPECIFICATIONS



Instrument	YX-135
Scale Range	f1 ~ c5 3-1/2 octaves
Tone Bar Material	Burmese padauk
Tone Bar Size (Width x Thickness)	1-5/16" x 11/16" 34 mm x 17.5 mm
Dimensions (Width x Depth x Height)	48-7/16" x 24-7/16" x 34-1/4" 123 cm x 62 cm x 87 cm
Weight	48 lbs 8 oz. 22 kg
Pitch	A = 442 Hz

SCALE RANGE



YAMAHA

YAMAHA CORPORATION
P.O.Box 1, Hamamatsu, Japan

  Printed in Japan 05.90