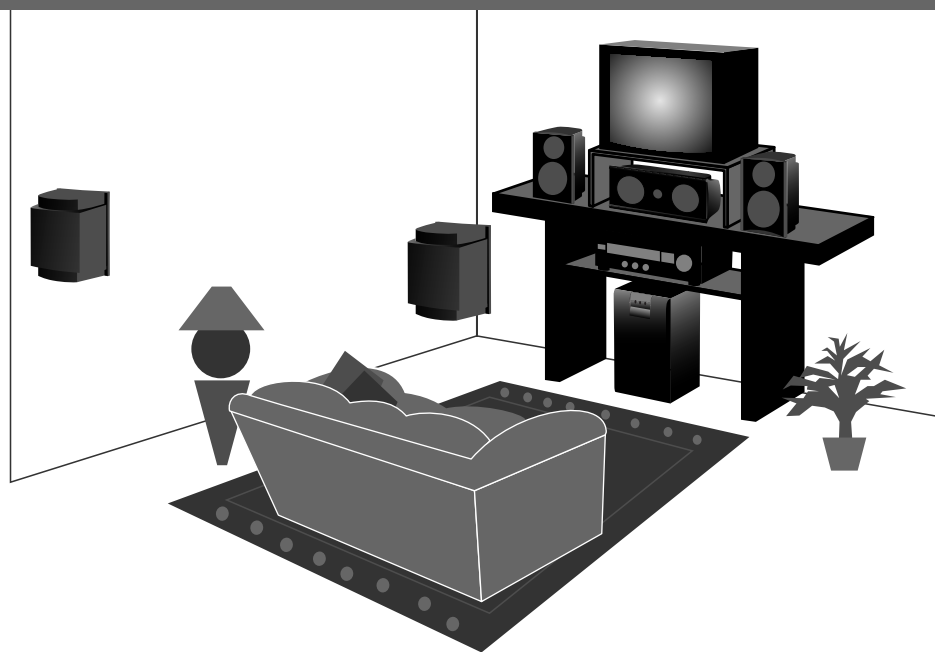




just add your TV and VCR

home theater

SURROUND SOUND SYSTEM



YHT-22
QUICK-CONNECT GUIDE

INTRODUCTION

Yamaha developed the YHT-22 A/V Home Theater package to turn your home into a theater. In addition to enhancing the sound of a video source, like your TV, DVD player, or VCR, the YHT-22 also superbly reproduces audio sources, such as a CD player or a cassette deck.

This Quick-Connect Guide will help you get started. Study the speaker system plan (below), and then use the interconnect diagrams (on the following pages) to connect the receiver and speakers to your system.

For the video portion, you will need a DVD (or LD) player or a hi-fi stereo VCR and a television or monitor. Refer to the *Yamaha HTR-5140 Owner's Manual*, as well as the owner's manuals that came with your other components, for complete instructions and cautions. Be sure to turn off all power while making connections.

Please keep this guide handy for future reference.

NOTE: Label the end of each speaker wire (i.e., left rear, right front, etc.) before connecting them to the A/V receiver. For wire runs over 30 feet, use larger 18- or 16-gauge speaker wire.

TOOLS AND PARTS

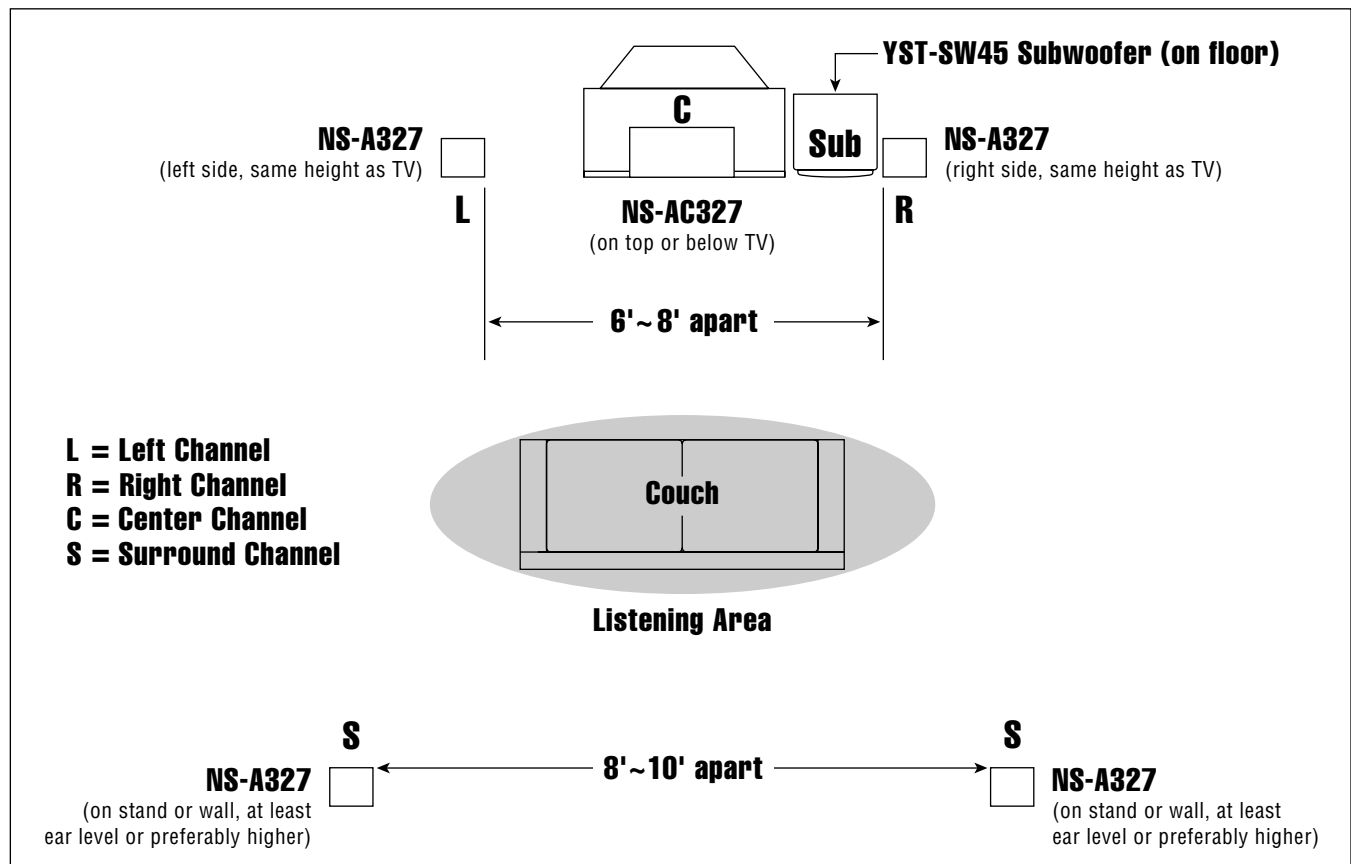
The YHT-22 Home Theater package consists of (1) HTR-5140 A/V receiver with RAV200 remote control, (1) NS-AP327 package containing (4) 2-way NS-A327 front/rear channel speakers, (1) NS-AC327 2-way center-channel speaker, 100' of speaker wire, (1) YST-SW45 Powered Subwoofer, and related owner's manuals. You will also need:

- Wire strippers (optional)

- Toggle bolts, molly anchor screws, sheet metal screws, and/or speaker brackets (for securing the NS-A327 speakers to walls)

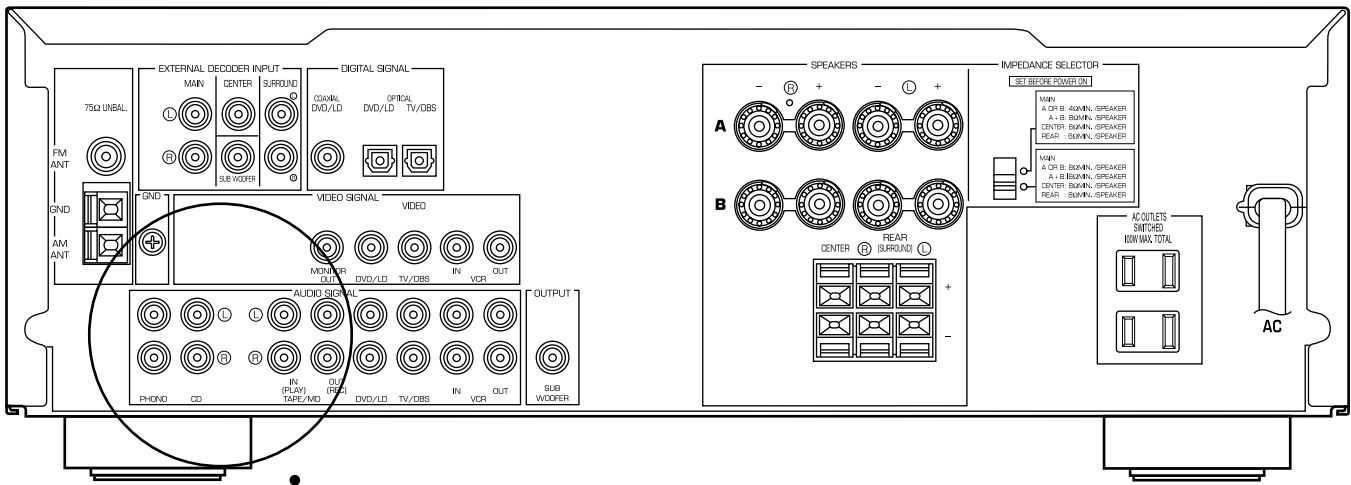
NOTE: If you are unsure of how to securely and safely fasten speakers to a wall, please contact a reliable source about the best type of hardware for your particular wall's construction. Secure installation is the purchaser's responsibility.

SPEAKER SYSTEM PLAN

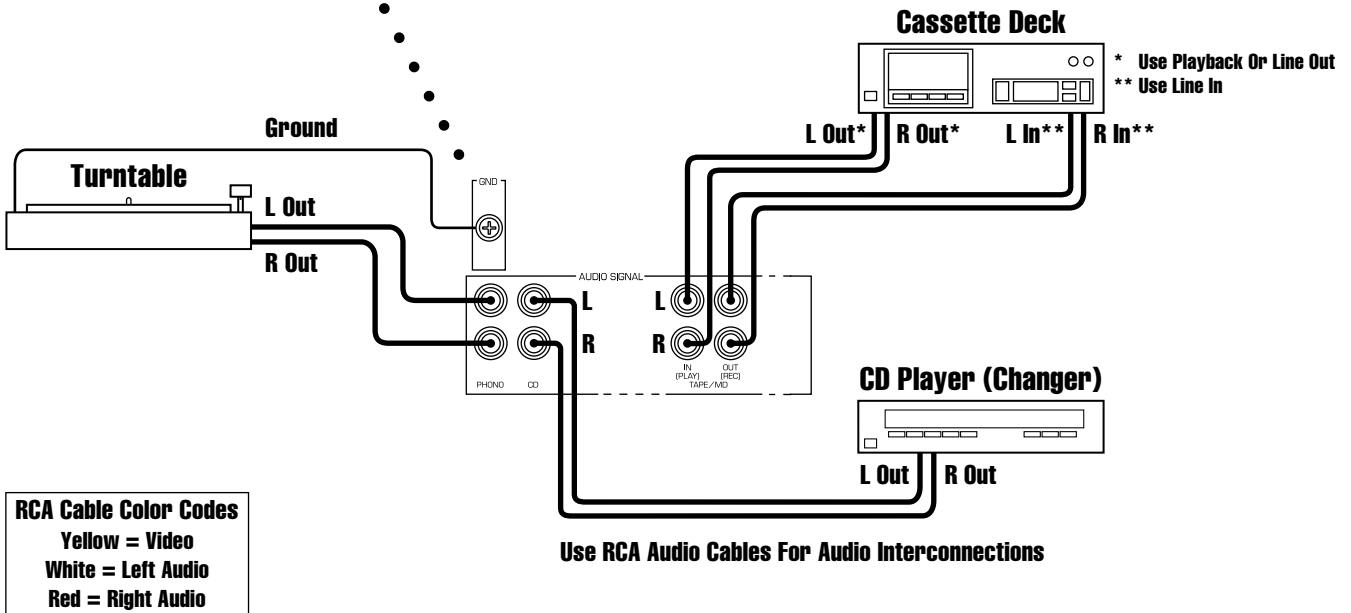


CONNECTING AUDIO COMPONENTS

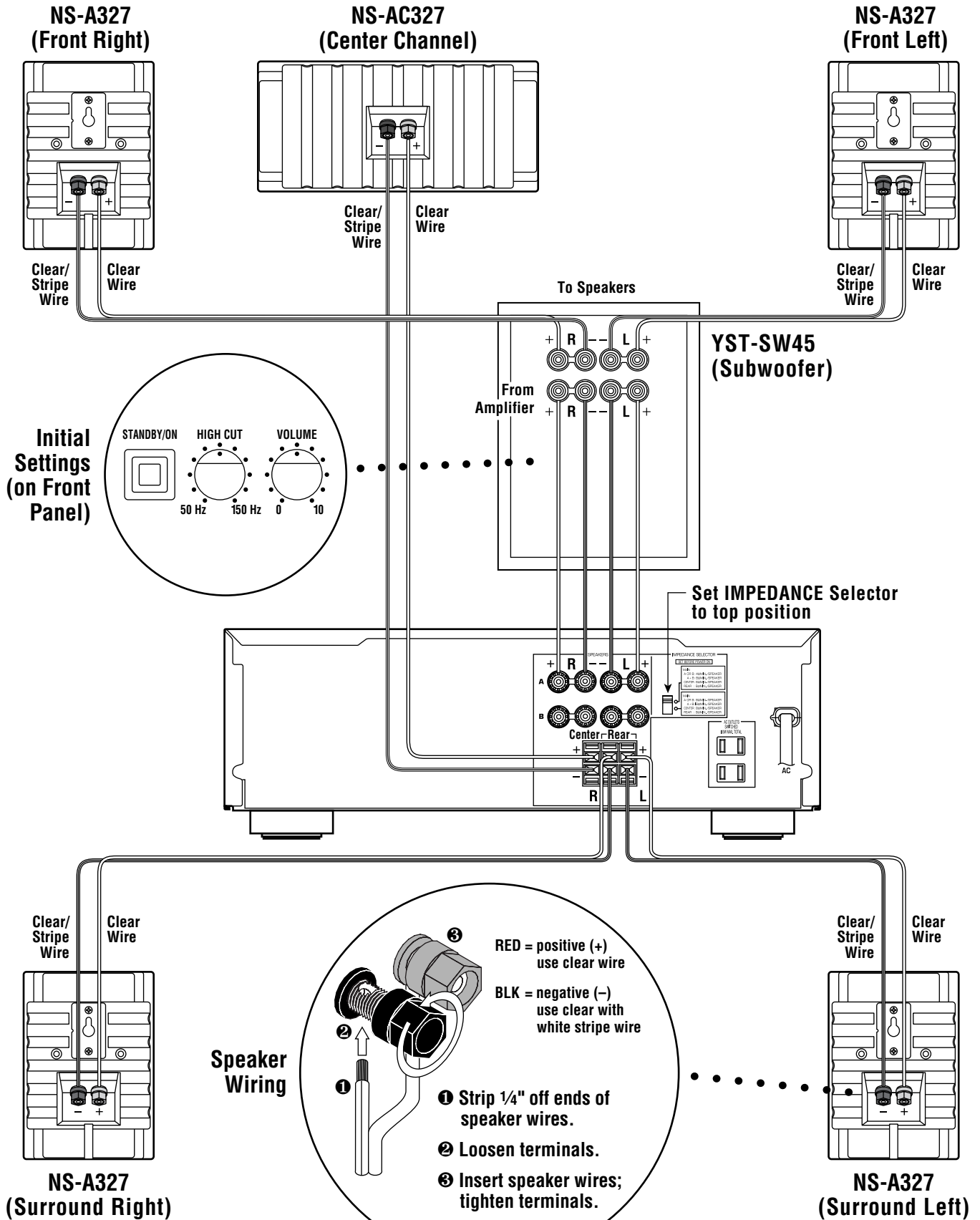
Yamaha HTR-5140 Receiver (Rear Panel)



NOTE: For your convenience, the Yamaha HTR-5140 receiver is equipped with two switched ac outlets (100 W max.). If desired, use them to power on connected components (e.g., CD player or turntable) each time the receiver is turned on. However, do not use them for components equipped with clocks (e.g., VCR).

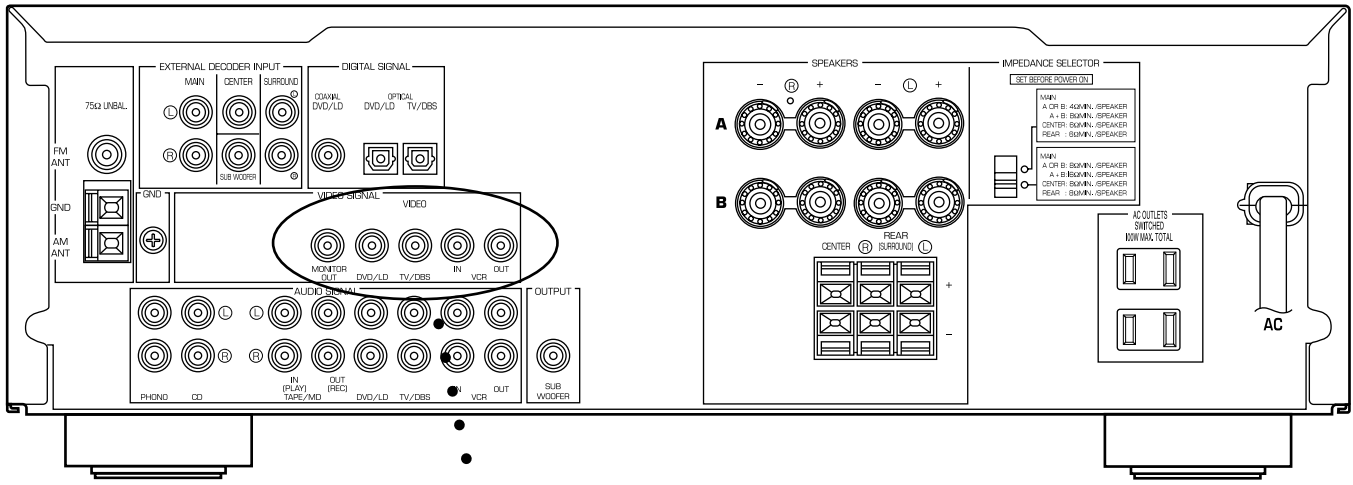


CONNECTING THE YHT-22 SPEAKERS

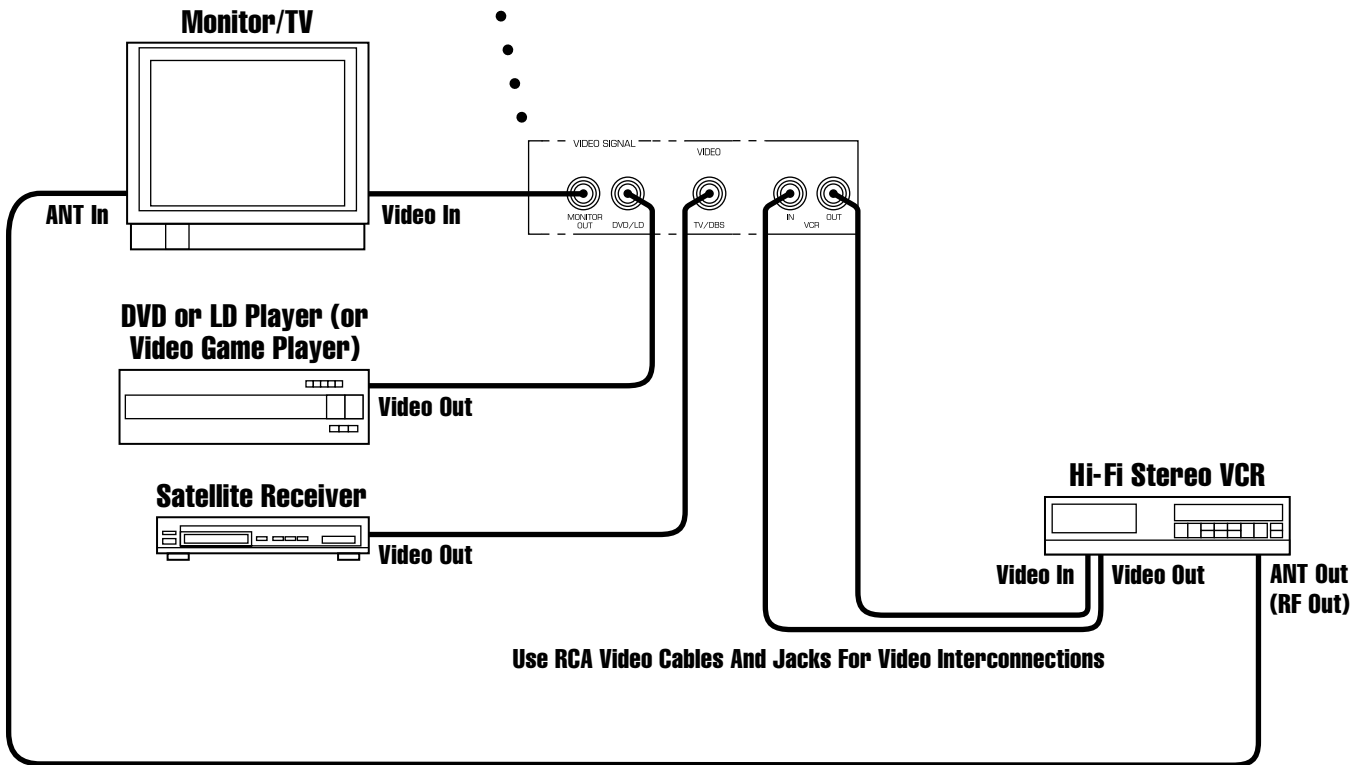


CONNECTING VIDEO CABLES FOR VIDEO COMPONENTS

Yamaha HTR-5140 Receiver (Rear Panel)



NOTE: When using a hi-fi stereo VCR, set the Tuner/Line switch (on the VCR) to Line position to record from another source connected to the Yamaha HTR-5140 receiver.



Optional 75-ohm Coaxial Cable

RCA Cable Color Codes
 Yellow = Video
 White = Left Audio
 Red = Right Audio

CONNECTING A 5.1-CHANNEL DECODER

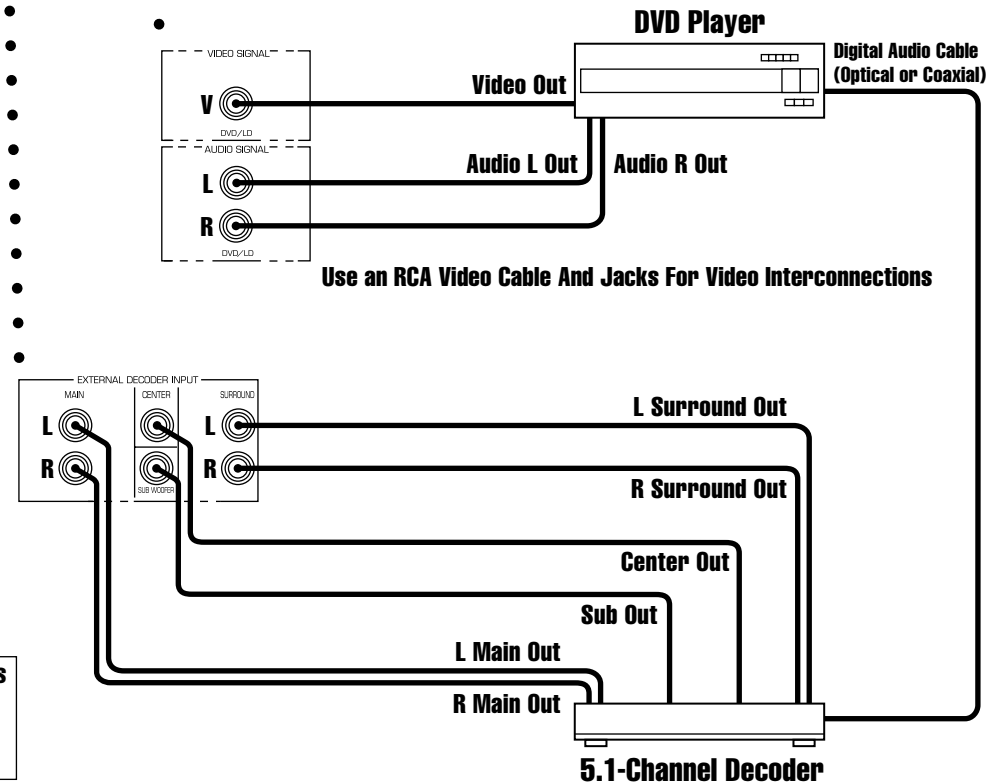
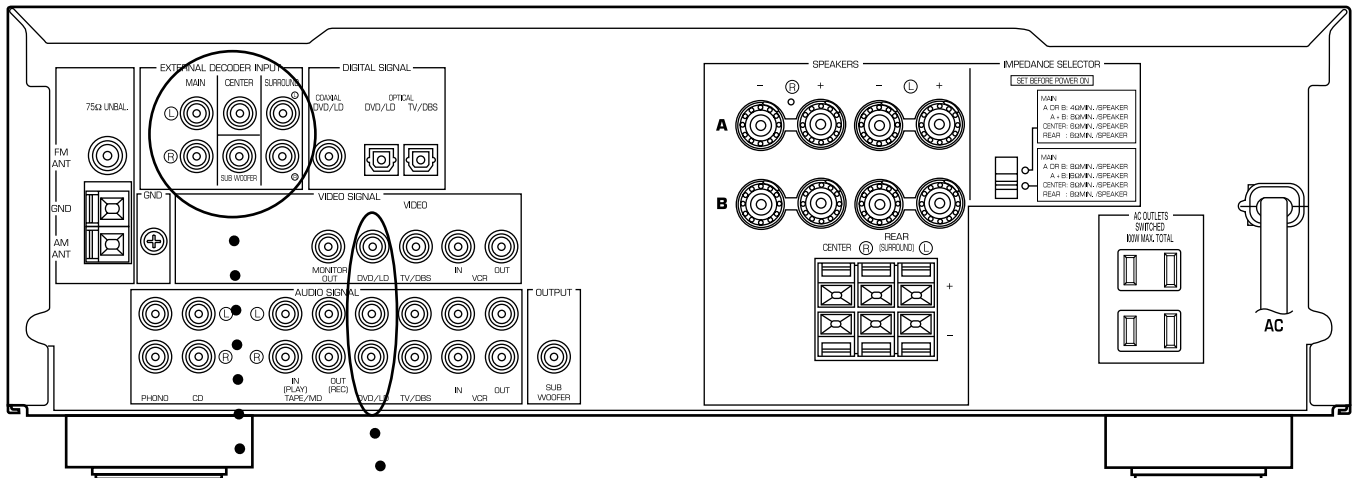
If you own a 5.1-channel decoder (or a unit which incorporates a 5.1-channel decoder), you can connect its discrete outputs to the HTR-5140 as shown below.

- To hear playback of a stereo or mono audio source or one encoded with Dolby Pro Logic Surround*, connect the unit (e.g., DVD player) to the DVD/LD (or TV/DBS) AUDIO SIGNAL input terminals.
- The discrete signals feeding to the HTR-5140 cannot be recorded by a tape deck, MD recorder, or VCR.

To record programs from a source (e.g., laserdisc player), connect the source unit to the DVD/LD (or TV/DBS) AUDIO SIGNAL input terminals.

- If your audio system does not include a subwoofer (i.e., SUBWOOFER input terminals are not used), set signal routing on the 5.1-Channel Decoder so that the LFE channel feeds both LEFT and RIGHT MAIN output terminals. For details, refer to the owner's manual for your 5.1-Channel Decoder unit.

Yamaha HTR-5140 Receiver (Rear Panel)



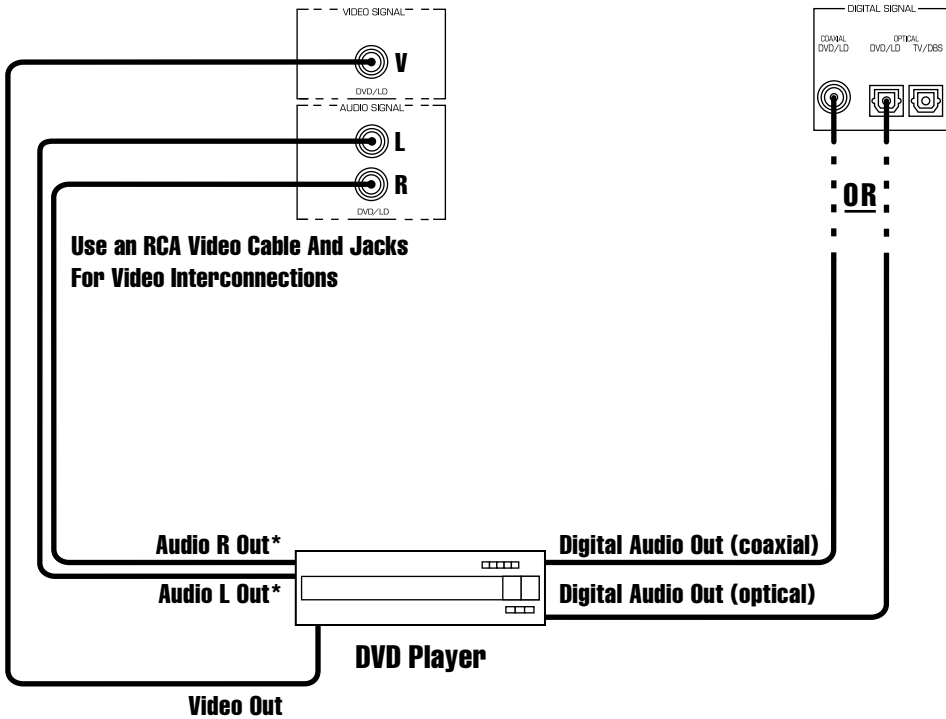
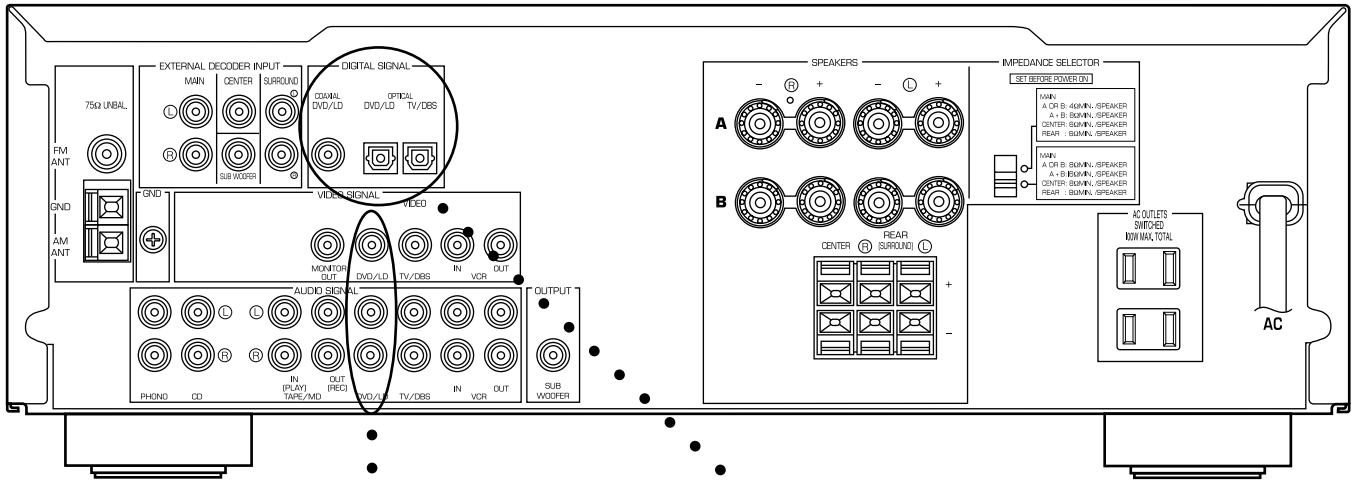
Use an RCA Video Cable And Jacks For Video Interconnections

RCA Cable Color Codes
 Yellow = Video
 White = Left Audio
 Red = Right Audio

*Dolby Pro Logic Surround is a trademark of Dolby Laboratories Licensing Corp.

CONNECTING A DVD PLAYER

Yamaha HTR-5140 Receiver (Rear Panel)



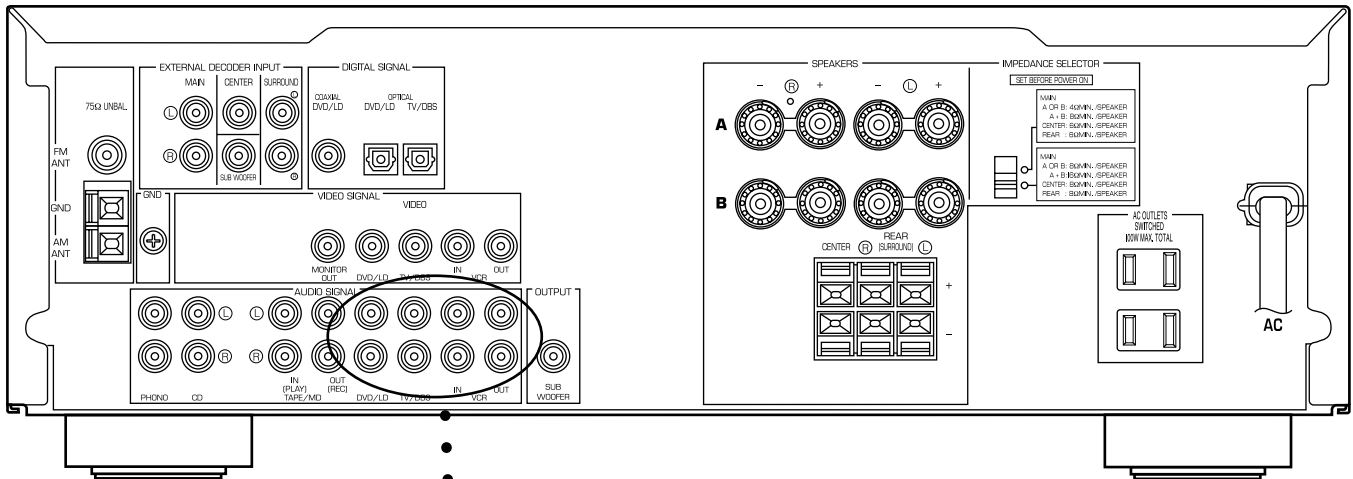
Use an RCA Video Cable And Jacks For Video Interconnections

RCA Cable Color Codes
 Yellow = Video
 White = Left Audio
 Red = Right Audio

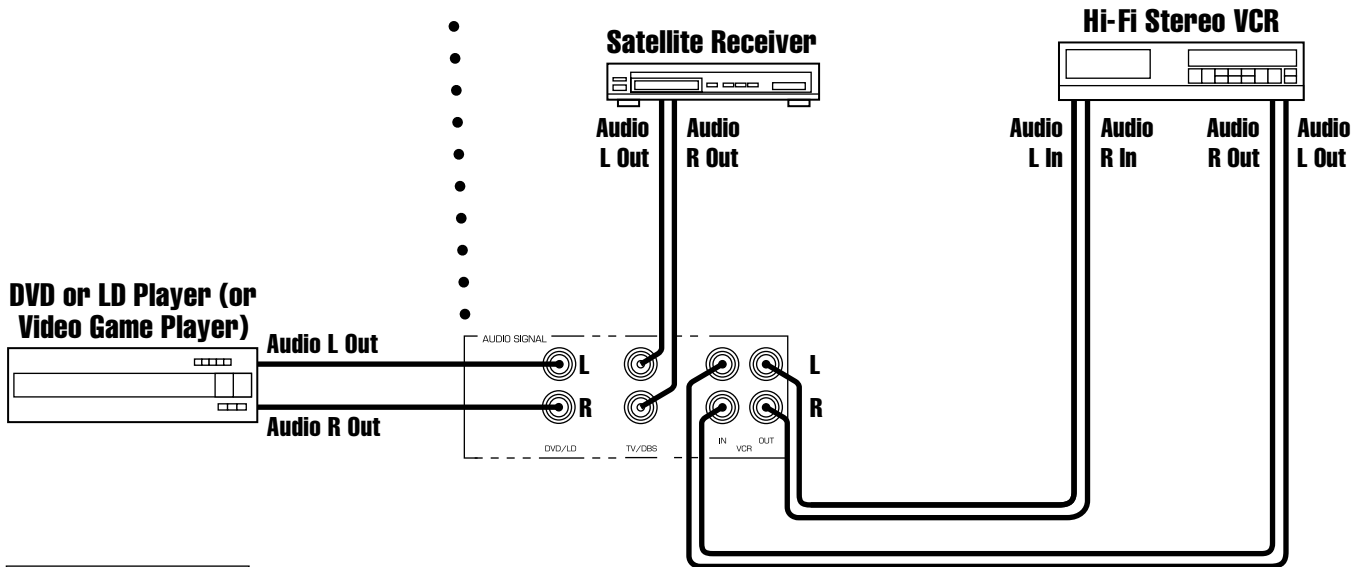
*Analog Audio Out connections are required for playback of CD-Rs and recording from DVD to VCR.

CONNECTING AUDIO CABLES FOR VIDEO COMPONENTS

Yamaha HTR-5140 Receiver (Rear Panel)



NOTE: When using a hi-fi stereo VCR, set the Tuner/Line switch (on the VCR) to Line position to record from another source connected to the Yamaha HTR-5140 receiver.

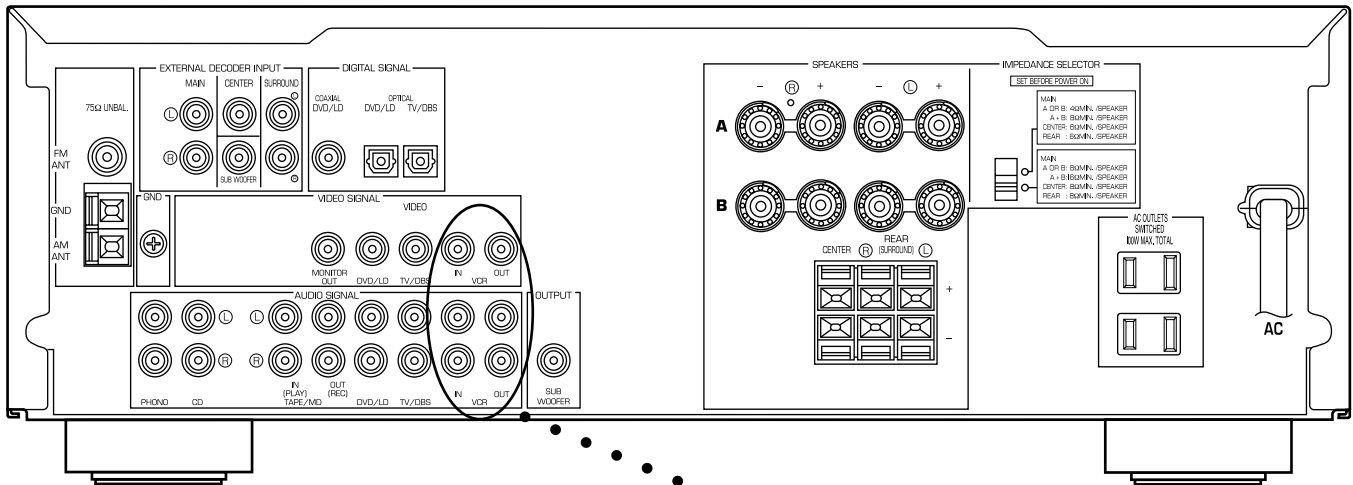


RCA Cable Color Codes
 Yellow = Video
 White = Left Audio
 Red = Right Audio

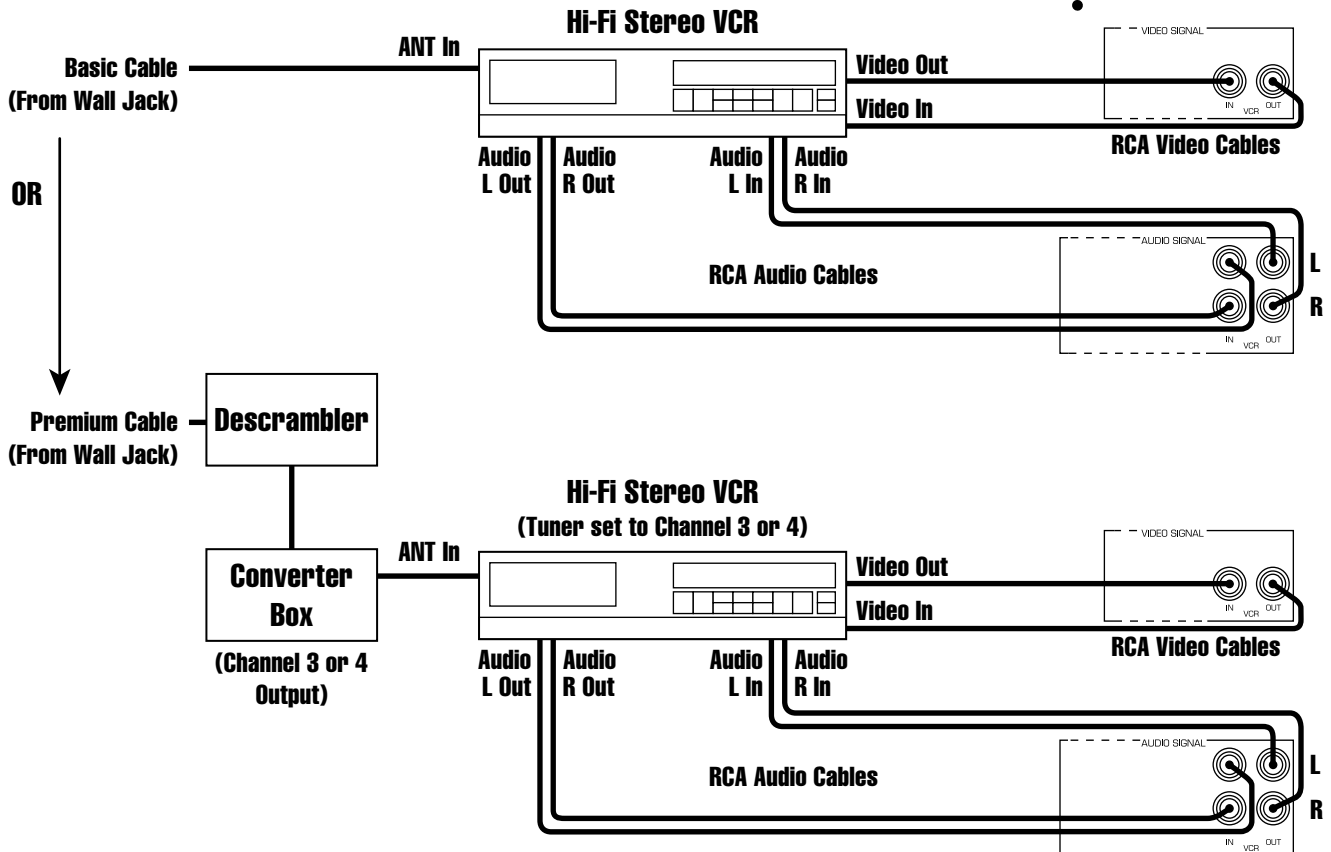
Use RCA Audio Cables And Jacks For Audio Interconnections

CABLE HOOK-UP (BASIC AND PREMIUM CHANNELS)

Yamaha HTR-5140 Receiver (Rear Panel)

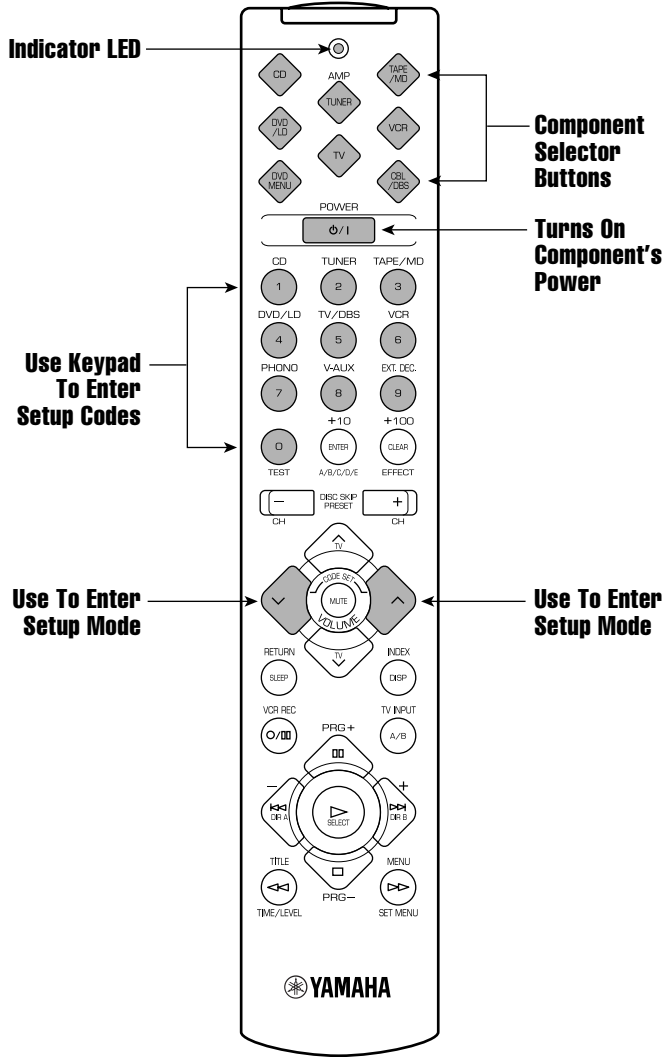


NOTE: When using a hi-fi stereo VCR, set the Tuner/Line switch (on the VCR) to Line position to record from another source connected to the Yamaha HTR-5140 receiver.



RCA Cable Color Codes
 Yellow = Video
 White = Left Audio
 Red = Right Audio

PROGRAMMING THE RAV200 REMOTE CONTROL

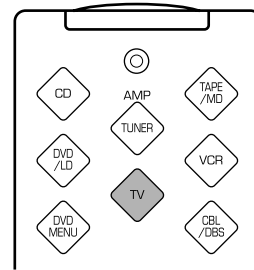


SETTING UP COMPONENTS

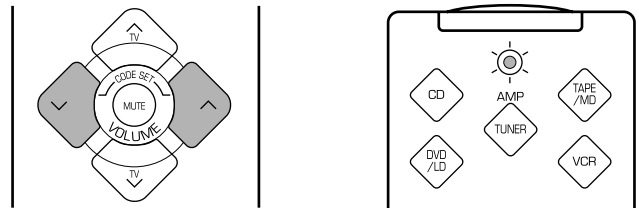
Perform the procedure for each component you own. At the end of each step 5, the remote control's processor will automatically assign the selected component's control functions to its own buttons, ready for your use.

SETTING UP YOUR TV

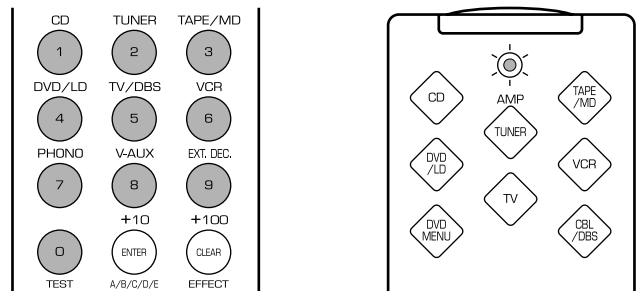
1. Turn on the television set and look up a setup code for your brand of television (see pages 113 and 114 of the *HTR-5140 Owner's Manual*).
2. On the RAV200, press TV.



3. Press and hold both VOLUME buttons at least four seconds until the indicator LED flashes twice.



4. Using the keypad, enter the four-digit setup code. The indicator LED will flash twice after your entry. If the LED did not flash twice, repeat steps 3 and 4.



The YHT-22 Home Theater package includes the RAV200 pre-programmed remote control with factory codes to control your HTR-5140 receiver and most Yamaha audio components. To program other brands of components (i.e., TV, VCR, etc.) or if your Yamaha unit does not respond, you will need to program the remote control with the manufacturer's codes (listed on pages 113 through 117 of the *HTR-5140 Owner's Manual*).

NOTE: The RAV200 is designed to control most major brands of audio and video components. For other units, use the original remote control supplied with the product.

POWER ON

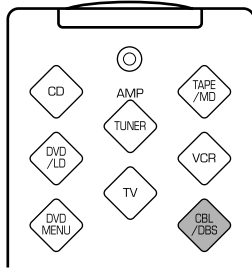
1. Load the supplied batteries into the RAV200.
2. Aim the remote control at the HTR-5140, press AMP/TUNER, and then press POWER.
3. The receiver should turn on.

5. To verify the code works, aim the RAV200 at the television set, press TV, and then press POWER. The television set should turn off. If it doesn't respond, use another code for the same manufacturer and repeat steps 3 through 5.

PROGRAMMING THE RAV200 REMOTE CONTROL (CONTINUED)

SETTING UP YOUR CABLE BOX (OR DSS)

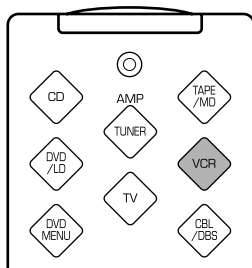
1. Turn on the cable box (or DSS) and look up a setup code for your brand of cable box (or DSS) – see pages 114 and 115 of the *HTR-5140 Owner's Manual*.
2. On the RAV200, press CBL/DBS.



3. Press and hold both VOLUME buttons at least four seconds until the indicator LED flashes twice.
4. Using the keypad, enter the four-digit setup code. The indicator LED will flash twice after your entry. If the LED did not flash twice, repeat steps 3 and 4.
5. To verify the code works, aim the RAV200 at the cable box (or DSS), press CBL/DBS, and then press POWER. The unit should turn off. If it doesn't respond, use another code for the same manufacturer and repeat steps 3 through 5.

SETTING UP YOUR VCR

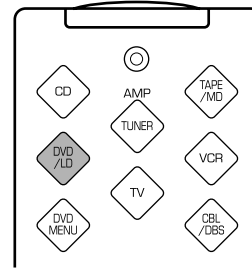
1. Turn on the VCR and look up a setup code for your brand of VCR (see pages 115 and 116 of the *HTR-5140 Owner's Manual*).
2. On the RAV200, press VCR.



3. Press and hold both VOLUME buttons at least four seconds until the indicator LED flashes twice.
4. Using the keypad, enter the four-digit setup code. The indicator LED will flash twice after your entry. If the LED did not flash twice, repeat steps 3 and 4.
5. To verify the code works, aim the RAV200 at the VCR, press VCR, and then press POWER. The VCR should turn off. If it doesn't respond, use another code for the same manufacturer and repeat steps 3 through 5.

SETTING UP YOUR DVD (OR LD) PLAYER

1. Turn on the DVD (or LD) player and look up a setup code for your brand of DVD (or LD) player (see page 116 of the *HTR-5140 Owner's Manual*).
2. On the RAV200, press DVD/LD.



3. Press and hold both VOLUME buttons at least four seconds until the indicator LED flashes twice.
4. Using the keypad, enter the four-digit setup code. The indicator LED will flash twice after your entry. If the LED did not flash twice, repeat steps 3 and 4.
5. To verify the code works, aim the RAV200 at the DVD (or LD) player, press DVD/LD, and then press POWER. The unit should turn off. If it doesn't respond, use another code for the same manufacturer and repeat steps 3 through 5.

SETTING UP OTHER COMPONENTS

1. Turn on the component (e.g., CD player, tape deck, or MD player) and look up a setup code for your brand of component (see pages 113 through 117 of the *HTR-5140 Owner's Manual*).
2. On the RAV200, press the desired component button (e.g., CD or TAPE/MD).
3. Press and hold both VOLUME buttons at least four seconds until the indicator LED flashes twice.
4. Using the keypad, enter the four-digit setup code. The indicator LED will flash twice after your entry. If the LED did not flash twice, repeat steps 3 and 4.
5. To verify the code works, aim the RAV200 at the component, press the appropriate component button, and then press POWER. The unit should turn off. If it doesn't respond, use another code for the same manufacturer and repeat steps 3 through 5.

OPERATING THE RAV200 REMOTE CONTROL

OVERVIEW

The RAV200 remote control will control up to seven different types of components (including the HTR-5140 receiver), each of which becomes active when you press a selection (e.g., TV, VCR, etc.). We can only briefly describe some functions here, and we encourage you use the *HTR-5140 Owner's Manual* to gain additional experience with this powerful unit.

PLAYING A VIDEOCASSETTE

1. Aim the remote control at the HTR-5140, press AMP/TUNER to select the component, and then press POWER to turn the receiver on. Press VCR (i.e., 6 on the keypad) as the input for the receiver.
2. Aim the remote control at the TV, press the TV to select the component, and then press POWER to turn the television on. Press TV INPUT (or A/B) to select the correct input.
3. Aim the remote control at the VCR, press VCR to select the component, and then press POWER to turn the VCR on. Put a tape in the VCR, press PLAY.

NOTE: At this point, the VCR controls are assigned to the remote control, since VCR was the last selected component. If you now press the VOLUME up (down) buttons, the TV/VCR volume will be raised (or lowered). To adjust the receiver's volume, you must press AMP/TUNER to activate its functions.

PLAYING A DVD

1. Aim the remote control at the HTR-5140, press AMP/TUNER to select the component, and then press POWER to turn the receiver on. Press DVD/LD (i.e., 4 on the keypad) as the input for the receiver.

NOTE: If the DVD player is connected to an external decoder, press EXT.DEC. (i.e., 9 on the keypad) as the input for the receiver.

2. Press DVD/LD and then press POWER to turn the DVD (or LD) player on.

NOTE: If the DVD player is plugged into the switched ac outlet (on the back of the receiver) and its power switch was already engaged, the unit will come on each time the receiver is powered on.

3. Load a DVD (or LD) into the DVD (or LD) player.
4. Aim the remote control at the DVD (or LD) player, and press > (forward button) to start play.

NOTE: The DVD player's controls are now assigned to the remote control buttons, since DVD was the last selected component.

RESETTING THE RAV200 TO FACTORY CODES

You can reset the RAV200 to factory codes for all components or a desired component, as follows:

RESETTING CODES FOR ALL COMPONENTS

1. Press any component selector button other than AMP/TUNER.
2. Press and hold both VOLUME buttons at least four seconds until the indicator LED flashes twice.
3. Using the keypad, enter the code "9990".
4. The indicator LED will flash twice to confirm all codes have been reset to factory values. If the LED does not flash twice, repeat steps 1 through 3.

RESETTING CODES FOR A DESIRED COMPONENT

1. Press a component selector button that matches the component you wish to reset to factory codes.
2. Press and hold both VOLUME buttons at least four seconds until the indicator LED flashes twice.
3. Using the keypad, enter the code "0000".
4. The indicator LED will flash twice to confirm all codes have been reset to factory values. If the LED does not flash twice, repeat steps 1 through 3.
5. For your convenience, the following reference chart lists the factory codes:

Component Selector Button	Component	Code
TV	TV	0101
CBL/DBS	DBS tuner	0006
VCR	VCR	0002
DVD/LD	DVD player	0008 Yamaha
CD	CD player	0005 Yamaha
TAPE/MD	Tape deck	0004 Yamaha

