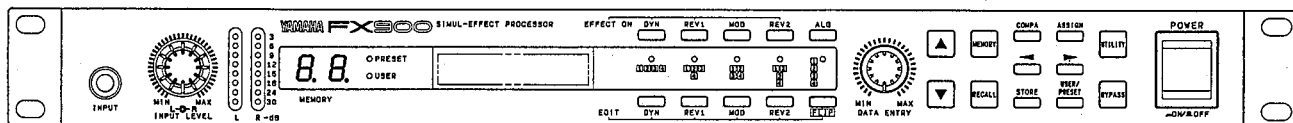


YAMAHA

SIMUL-EFFECT PROCESSOR

FX900

Operation Manual
Manuel d'utilisation
Bedienungsanleitung



Congratulations!

You are the proud owner of a Yamaha FX900 SIMUL-EFFECT PROCESSOR. The FX900 takes advantage of unmatched Yamaha digital signal processing technology to provide a fully configurable system of up to seven simultaneous effects with extensive programming capability. A unique system of "algorithms" makes it possible to connect effects in series, in parallel, and in any desired order, while a full complement of parameters is available for fine-tuning each effect. With a wide range of programmable effects including compressor, distortion, equalizer, enhancer, wah, pitch change, reverb, early reflection, delay, echo, and modulation, the FX900 gives you a complete state-of-the-art signal-processing system in one compact package. There are 100 superlative preset effect programs that you can simply select and use right away, and 100 RAM memory locations which can be used to store original signal-processing sounds that you create using the FX900's broad-ranging programming features. The FX900 can also function in a 1-in/2-out or 2-in/2-out configuration to fit any system. For further versatility and smooth integration with MIDI-based music systems, the FX900 offers broad external control capabilities. Any of its 100 memory locations may be directly selected from a remote MIDI device such as a keyboard or MIDI foot controller. It is also possible to directly control effect parameters in real time. An optional FC900 remote control unit is available for comprehensive foot control of many important FX900 functions. No other multi-effect device offers this type of versatility, and the sound is nothing less than superb. Please read through this operation manual thoroughly while learning to use your FX900, in order to take full advantage of all the sophisticated capabilities it provides — and keep the manual in a safe place for later reference!

IMPORTANT NOTICE FOR THE UNITED KINGDOM

Connecting the Plug and Cord

WARNING : THIS APPARATUS MUST BE EARTHED

IMPORTANT. The wires in this mains lead are coloured in accordance with the following code:

GREEN-AND-YELLOW	:	EARTH
BLUE	:	NEUTRAL
BROWN	:	LIVE

As the colours of the wires in the mains lead of this apparatus may not correspond with the coloured markings identifying the terminals in your plug proceed as follows:

The wire which is coloured GREEN-AND-YELLOW must be connected to the terminal in the plug which is marked by the letter E or by the safety earth symbol \perp or coloured GREEN or GREEN-AND-YELLOW.

The wire which is coloured BLUE must be connected to the terminal which is marked with the letter N or coloured BLACK.

The wire which is coloured BROWN must be connected to the terminal which is marked with the letter L or coloured RED.

CANADA

THIS APPARATUS COMPLIES WITH THE "CLASS B" LIMITS FOR RADIO NOISE EMISSIONS SET OUT IN RADIO INTERFERENCE REGULATIONS.

CET APPAREIL EST CONFORME AUX NORMES "CLASSE B", POUR BRUITS RADIOELECTRIQUES. TEL QUE SPECIFIER DANS LE REGLEMENT SUR LE BROUILLAGE RADIOELECTRIQUE.

Contents

1. Precautions	3
2. The FX900: What It Is and What It Does	4
■ Effects	4
■ Algorithms	4
■ Memory Configuration	5
■ External Control	6
3. Connections: Basic System Setup	7
4. The Controls: A Quick Operation Guide	9
5. The MEMORY Mode: Selecting Effect Programs	11
6. Editing	12
■ Effect Group Switching	12
■ Changing Algorithms	13
■ Flipping & Assigning Effects	15
■ Accessing and Editing the Parameters	17
■ Memory Store	18
7. The Effects and their Parameters	19
■ DYN (Dynamic) GROUP	19
● CDE — Compressor/Distortion/Equalizer	19
● CMP — Dual Compressor	21
● ENH — Dual Enhancer	22
● WAH — Stereo wah	23
● PEQ — Dual Parametric Equalizer	24
● MBD — Multi-band Distortion	25
● CDW — Compressor/Distortion/Equalizer/Wah ..	26
● DST — Stereo Distortion/Equalizer	28
■ REV1 (Reverb 1) GROUP	29
● PCM — Mono Pitch Change	29
● PCS — Stereo Pitch Change	30
● RV1 — Reverb 1	31
● ER1 — Early Reflections 1	32
● DL1 — Mono Delay 1	33
● EC1 — Echo (Stereo Delay) 1	34
● MD1 — Modulation Delay 1	35
● MT1 — Multi Tap Delay 1	37
■ MOD (Modulation) GROUP	38
● CHO — Chorus	38
● FLG — Flanger	38
● SYM — Symphonic	39
● TRM — Tremolo	39
● PAN — Round Pan	40
■ REV2 (Reverb 2) GROUP	41
● RV2 — Reverb 2	41
● ER2 — Early Reflections 2	41
● DL2 — Mono Delay 2	41
● EC2 — Echo (Stereo Delay) 2	41
● MT2 — Multi Tap Delay 2	41
● R+D — Reverb + Delay	41
8. The Utility Mode	42
■ TITLE EDIT	42
■ MIDI Program Selection: MIDI SETUP and MIDI PGM CHANGE	43
● MIDI SETUP	43
● MIDI PGM CHANGE	44
■ External Parameter Control: CONTROLLER 1 through CONTROLLER 4	45
● Basic Controller Assignments	45
● Assigning CONTROLLER 1 through CONTROLLER 4 to Specific Effects	47
■ F.S.W MEMORY RCL	48
■ BULK OUT	49
9. Specifications	50
10. Algorithm & Effect Assignments for the Preset Programs	156
11. MIDI Data Format	160
● MIDI Implementation Chart	165
12. Block Diagram	166
13. FX900 Parameter Chart	167
14. Initial Data Chart	173

FCC CERTIFICATION (USA)

This equipment generates and uses radio frequency energy and if not installed and used properly, that is, in strict accordance with the manufacturer's instructions, may cause interference to radio and television reception. It has been type tested and found to comply with the limits for a Class B computing device in accordance with the specifications in Subpart J of Part 15 of FCC Rules, which are designed to provide reasonable protection against such interference in a residential installation. However, there is no guarantee that interference will not occur in a particular installation. If this equipment does cause interference to radio or television reception, which can be determined by turning the equipment off and on, the user is encouraged to try to correct the interference by one or more of the following measures:

Reorient the receiving antenna.
Relocate the equipment with respect to the receiver.
Move the equipment away from the receiver.
Plug the equipment into a different AC power outlet so that it and the receiver are on different branch circuits.
If necessary, the user should consult the dealer or an experienced radio/television technician for additional suggestions. The user may find the following booklet prepared by the Federal Communications Commission helpful:
"How to Identify and Resolve Radio-TV Interference Problems".
This booklet is available from the U.S. Government Printing Office, Washington, DC 20402, Stock No. 004-000-00345-4.

1. Precautions

!! PLEASE READ THIS BEFORE PROCEEDING !!

1. AVOID EXCESSIVE HEAT, HUMIDITY, DUST AND VIBRATION

Keep the unit away from locations where it is likely to be exposed to high temperatures or humidity — such as near radiators, stoves, etc. Also avoid locations which are subject to excessive dust accumulation or vibration which could cause mechanical damage.

2. AVOID PHYSICAL SHOCKS

Strong physical shocks to the unit can cause damage. Handle it with care.

3. DO NOT OPEN THE CASE OR ATTEMPT REPAIRS OR MODIFICATIONS YOURSELF

This product contains no user-serviceable parts. Refer all maintenance to qualified Yamaha service personnel. Opening the case and/or tampering with the internal circuitry will void the warranty.

4. MAKE SURE POWER IS OFF BEFORE MAKING OR REMOVING CONNECTIONS

Always turn the power OFF prior to connecting or disconnecting cables.

5. HANDLE CABLES CAREFULLY

Always plug and unplug cables — including the AC cord — by gripping the connector, not the cord.

6. CLEAN WITH A SOFT DRY CLOTH

Never use solvents such as benzine or thinner to clean the unit. Wipe clean with a soft, dry cloth.

7. ALWAYS USE THE CORRECT POWER SUPPLY

Always use the correct AC voltage to power your FX900. Make sure that your FX900 is appropriate for the AC mains supply voltage in the area where you intend to use it (the correct supply voltage is marked on the rear panel, below the power cord).

8. ELECTRICAL INTERFERENCE

Since the FX900 contains digital circuitry, it may cause interference and noise if placed too close to TV sets, radios or similar equipment. If such a problem does occur, move the FX900 further away from the affected equipment.

9. MIDI CABLES

When connecting to FX900 to MIDI equipment, be sure to high-quality cables made especially for MIDI data transmission. Also avoid cables longer than about 15 meters, as longer cables can pick up electrical noise that can causes data errors.

10. MEMORY BACKUP

The FX900 contains a special long-life battery that retains the contents of its internal RAM memory even when the power is turned OFF. The backup battery should last for approximately 5 years. When the battery voltage drops to a level that is too low to maintain the memory contents, the following message will appear on the FX900 display when the power is turned ON:

**** WARNING **
LOW BATTERY**

If this display appears, have the backup battery replaced by qualified Yamaha service personnel. **DO NOT ATTEMPT TO REPLACE THE BACKUP BATTERY YOURSELF!**

11. ERROR MESSAGES

When the FX900 power is initially turned ON, a self-diagnostic program runs automatically to check a number of important operational parameters. If a problem is found, an error message ("E0" through "E8") will appear on the liquid crystal display panel. If an error message appears, please take the FX900 to your nearest Yamaha dealer for servicing, and be sure to tell the service personnel which error message was displayed.

2. The FX900: What It Is and What It Does

■ Effects

The FX900 has four effect "groups" — DYN (dynamic), REV1 (reverb 1), MOD (modulation), and REV2 (reverb 2) — that each contain several effects. Some of these "effects" are actually a combination of several effects, such as the CDE effect in the DYN group which combines compressor, distortion, and equalizer. The chart below lists the effects in each group with the three-letter abbreviated name that is used on the FX900 display.

Group	Effect	Description
DYN	CDE	Compressor/distortion/equalizer
	CMP	Dual compressor*
	ENH	Dual enhancer
	WAH	Stereo wah*
	PEQ	Dual parametric equalizer
	MBD	Multi-band distortion
	CDW	Compressor/distortion/equalizer/wah
	DST	Stereo distortion/equalizer
REV1	PCM	Mono pitch change
	PCS	Stereo pitch change
	RV1	Reverb 1
	ER1	Early reflections 1
	DL1	Mono delay 1
	EC1	Echo (stereo delay) 1
	MD1	Modulation delay 1
	MT1	Multi tap delay 1
MOD	CHO	Chorus
	FLG	Flanger
	SYM	Symphonic
	TRM	Tremolo
	PAN	Round pan
REV2	RV2	Reverb 2
	ER2	Early reflections 2
	DL2	Mono delay 2
	EC2	Echo (stereo delay) 2
	MT2	Multi tap delay 2
	R+D	Reverb + delay

* "Dual" programs have separate parameters for the left and right channels, while "Stereo" programs have a single set of parameters for both channels.

Each effect has a number of parameters which can be adjusted to tailor its sound to your specific musical needs. The effects and individual parameters are described in detail in the "The Effects and their Parameters" section of the manual, beginning on page 19.

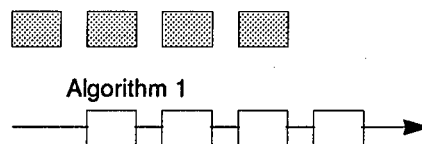
Up to four effects, one from each effect group, can be combined and connected as required by assigning each effect group to one of the four "blocks" in any of the FX900's 11 algorithms — described next.

■ Algorithms

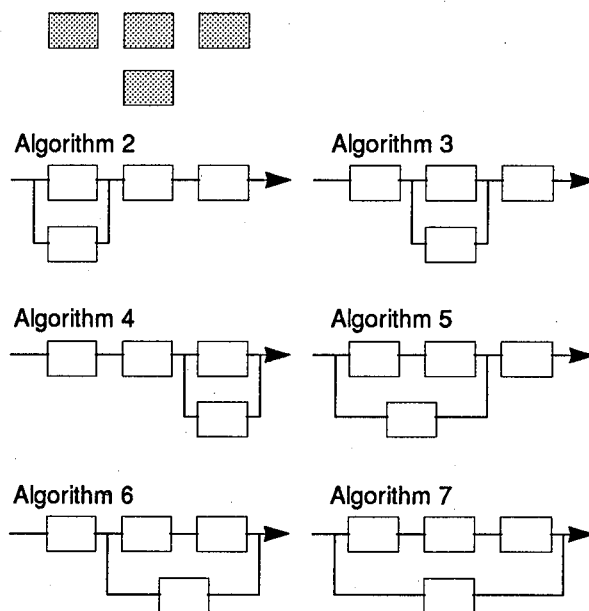
The sound of a number of effects used together depends to a degree on the way the effects are connected — i.e. what order they are connected in, and whether they are connected in series or in parallel. The FX900 gives you total freedom in how you connect effects from the four effect groups with an innovative system of "algorithms."

The FX900 has five basic algorithm types that we'll arbitrarily call the Chain, the Tee, the Square, the Tall Tee, and the Stack. These are represented (in order, from left to right) by the symbols accompanying the Algorithm Type Indicators on the front panel. The Tee and Tall Tee types further have a number of variations, as shown in the algorithm diagrams below.

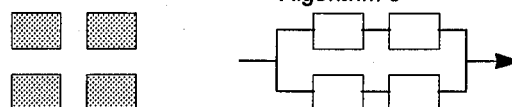
1. Chain



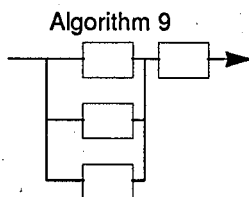
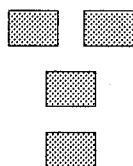
2. Tee



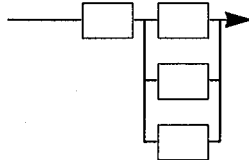
3. Square



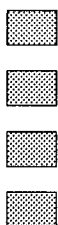
4. Tall Tee



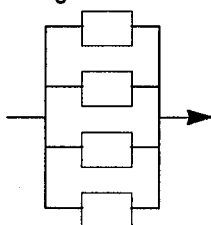
Algorithm 10



5. Stack



Algorithm 11



Thus we have a total of 11 algorithms. As we mentioned earlier, one effect from each of the FX900's four effect groups can be assigned to each "block" within the selected algorithm. This allows the FX900 effects to be combined as required to produce the desired sound. Details on algorithm selection and effect assignment are given on page 13.

Memory Configuration

The FX900 has a total of 200 memory locations. "PRESET" memory locations 0 through 99 are ROM (Read Only Memory) containing 100 pre-programmed effects that you can simply select and use. "USER" memory locations 0 through 99 are RAM (Random Access Memory), and can be used to store original effect programs that you create by editing the presets. The 100 RAM memory locations originally contain copies of the preset programs. The first memory location — memory location number 0 — contains "initial data" that can be used as a basis for creating your own original effects programs. The initial data consists of settings that produce a more or less "normal" effect which you can easily edit, gradually straying from the norm, to create your own sound.

PRESET MEMORY (ROM)
0 — 99
• 0 is "Initial" data.
• 1 — 99 are preset effect programs

USER MEMORY (RAM)
0 — 99
• User-edited programs

Preset Effect Program Titles

Memory No.	Program Title	Memory No.	Program Title
Distortion Group			
No. 1	Massive Dist.	No. 52	Pitch Twist
No. 2	Triple Stack	No. 53	Bright Chorus
No. 3	Fullrange Dist	No. 54	Wanderer
No. 4	Southern Rock	No. 55	Reverb Sweet
No. 5	Smooth Dist	No. 56	Dew
No. 6	Metal Master	No. 57	Treble Tremolo
No. 7	Razor's Edge	No. 58	Tape Echo
No. 8	Power Detune	No. 59	Hollow Body
No. 9	Tube Lead	No. 60	Nylon Strings
No. 10	FX Distortion	No. 61	Comp Chorus
Bass Group			
No. 11	Sweet Lead	No. 62	Fretless Solo
No. 12	Harmony Lead	No. 63	Fretless Pick
No. 13	Rockin' 70's	No. 64	Flange Bass
No. 14	Multi Lead	No. 65	Touch-wah Bass
No. 15	Mid Peak	No. 66	Slap Bass
No. 16	3-way Dist	No. 67	Bass Distortion
No. 17	Led Distortion	No. 68	Island Bass
No. 18	Tight Distortion	No. 69	Straight Pick
No. 19	Pan Distortion	No. 70	Flange Pick
No. 20	Hard Sitar	No. 71	Quick Chase
No. 21	Flange Sitar	Synthesizer Group	
No. 22	Shapeless Bells	No. 72	EP Ambience
No. 23	Tight Rock	No. 73	Punchy Piano
No. 24	Crunch	No. 74	Thick Organ
No. 25	Slide Distortion	No. 75	Rock Organ
No. 26	Touch Dist	No. 76	Slow Rotor
No. 27	Cluster Dist. 1	No. 77	Clavi-flange
No. 28	Cluster Dist. 2	No. 78	Pluck-wah
No. 29	Cluster Dist. 3	No. 79	Silky Clav
No. 30	Talkin' Dist.	No. 80	Pad Fill
No. 31	Wide-Pan Dist.	No. 81	Wind Enhancer
No. 32	Wah Distortion	No. 82	Brass Lifter
No. 33	Sparkler	No. 83	Horn Solo
No. 34	Meteor	No. 84	Polished Strings
Non-Distortion Group			
No. 35	Simply Sweet	No. 85	Fat Bass
No. 36	Compressed Solo	Drums/ Perc/ Recording Group	
No. 37	Bright Backer	No. 87	Rock Drum
No. 38	Shimmer Echo	No. 88	Heavy Drum
No. 39	Crisp Chops	No. 89	Warehouse Drum
No. 40	Touch Of Jazz	No. 90	Percussion Gate
No. 41	50's Boogie	No. 91	Percussion-wah
No. 42	Touch Wah	No. 92	Vocal Reverb 1
No. 43	Dry Clean	No. 93	Vocal Reverb 2
No. 44	Crisp Q	Sound Effects Group	
No. 45	Spicy Repeat	No. 94	Dinosaur
No. 46	Fifths	No. 95	Teleporter
No. 47	Light Harmony	No. 96	Escalator
No. 48	Silver Strings	No. 97	War Drum
No. 49	Stereo Tremolo	No. 98	Infinite Echo
No. 50	Funk Groove	No. 99	Steam Machine
No. 51	City Theme	No. 0 Initial Data	

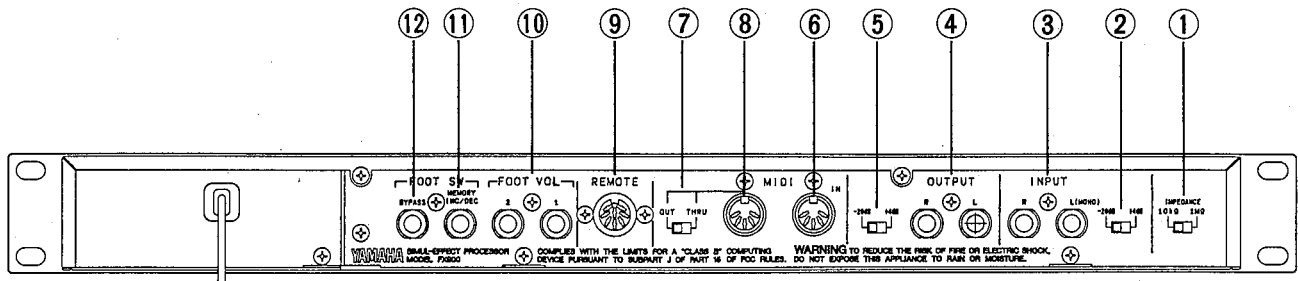
* Details on the algorithms and individual effects used in each effect program are given in the chart beginning on page 156.

■ External Control

For further versatility and smooth integration with MIDI-based music systems, the FX900 offers broad range of external control capabilities. Any of its 100 memory locations may be directly selected from a remote MIDI device such as a keyboard or MIDI foot controller. It is also possible to directly control up to four different effect parameters simultaneously in real time, either via MIDI controllers, foot controllers connected to two rear-panel jacks, or a combination of MIDI and foot controllers. You could, for example, control the modulation depth of a flanger effect and the reverb time of a reverb effect in real time as you play! See page 45 for operational details.

Comprehensive remote control is possible with the Yamaha FC900 Foot Controller — designed specifically for use with the FX900. The FC900 provides effect program selection, effect group switching, bypass switching, parameter control, and other versatile capabilities in a sturdy floor unit. Consult the FC900 literature for further details.

3. Connections: Basic System Setup



① Input IMPEDANCE Switch

This switch determines the input impedance of the INPUT R and L/MONO jacks, and the front-panel INPUT jack. When directly connecting a guitar or other high-impedance instrument to the FX900, set this switch to the "1M" position. The "10k" setting is appropriate for standard audio equipment and other line-level sources.

② Input Level -20dB/+4dB Switch

This switch allows the input sensitivity of the FX900 to be matched to the type of source equipment used. When connecting the FX900 to professional equipment that has +4 dB outputs, set the input level switch to the "+4dB" position. The "-20dB" setting is the best choice for most home-use audio equipment.

③ INPUT R & L/MONO Jacks

The INPUT R and L/MONO jacks allow either stereo or mono signals to be fed to the FX900. Stereo signals should be fed to both jacks, while a mono signal should be fed to the L/MONO jack only. Inserting a plug into the L/MONO jack only causes the FX900 to function as a 1-in/2-out type signal processor. The L/MONO jack duplicates the function of the front-panel INPUT jack described in the following section. If plugs are inserted into both the front and rear-panel inputs, the front-panel input jack takes priority.

④ OUTPUT R and OUTPUT L Jacks

These are the main stereo outputs from the FX900. We recommend using both outputs and connecting them to the corresponding right and left channels of a stereo sound system, since the full impact of many of the FX900 effects can only be appreciated in stereo. If, however, only a mono sound system is available, use either the OUTPUT R or OUTPUT L jack.

⑤ Output Level -20dB/+4dB Switch

This switch is used to match the output level of the FX900 to the input sensitivity of the amplifier, mixing console or other device it is feeding. For compatibility with standard line-level inputs the "-20dB" setting should be appropriate, while the "+4dB" setting should be used when the FX900 is connected to professional equipment that has +4dB inputs.

⑥ MIDI IN Connector

The MIDI IN connector accepts MIDI signals from an external MIDI device such as a MIDI foot controller, keyboard, etc. The FX900 will accept MIDI PROGRAM CHANGE messages to directly select effect programs, or MIDI CONTROL CHANGE messages via which individual effect parameters may be remotely controlled. [\[See page 43 for further details\]](#)

⑦ MIDI THRU/OUT Switch

Selects either MIDI THRU or MIDI OUT operation for the MIDI THRU/OUT connector, described below.

⑧ MIDI THRU/OUT Connector

When the MIDI THRU/OUT switch is set to "THRU," MIDI signals received at the MIDI IN connector are re-transmitted via this connector in real time, allowing other MIDI devices to be "chained" to the FX900. When the MIDI THRU/OUT switch is set to "OUT," MIDI data corresponding to operation of the FX900 is transmitted via this connector. [\[See page 49 for further details\]](#)

⑨ REMOTE Connector

This connector accepts the optional FC900 remote foot controller unit, allowing convenient foot control of effect group switching, program selection, bypass switching, and other functions.

⑩ FOOT VOL 1 and 2 Jacks

Optional Yamaha FC7 Foot Controllers connected to the FOOT VOL 1 and 2 jacks can be used to control specified effect parameters in real time. [\[See page 45 for further details\]](#)

⑪ MEMORY INC/DEC Jack

An optional Yamaha FC4 or FC5 Footswitch may be connected here for convenient foot-controlled selection of effect programs. The range of effect programs that can be selected is determined by the UTILITY mode Footswitch Memory Recall Range Edit function (page 48). [\[See page 48 for further details\]](#)

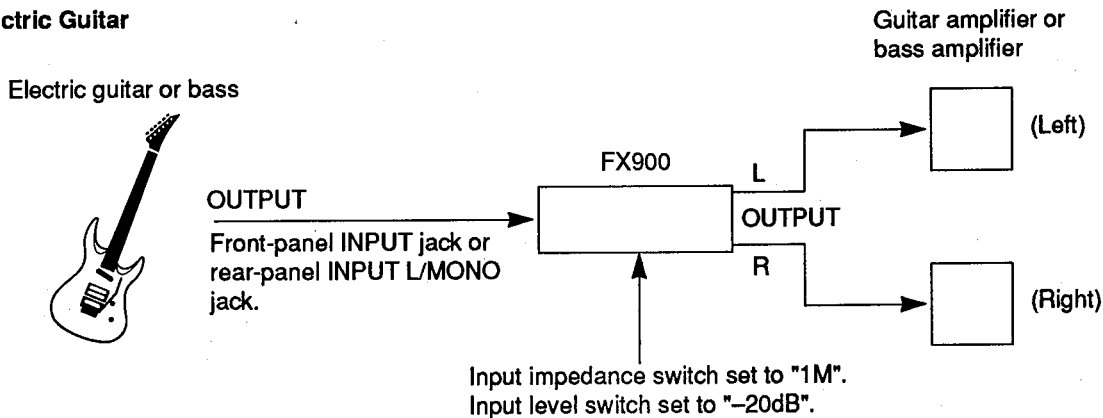
⑫ BYPASS Jack

An optional Yamaha FC4 or FC5 Footswitch connected here performs exactly the same function as the front-panel [BYPASS] key. Press the footswitch once to activate the bypass mode, and again to turn bypass off.

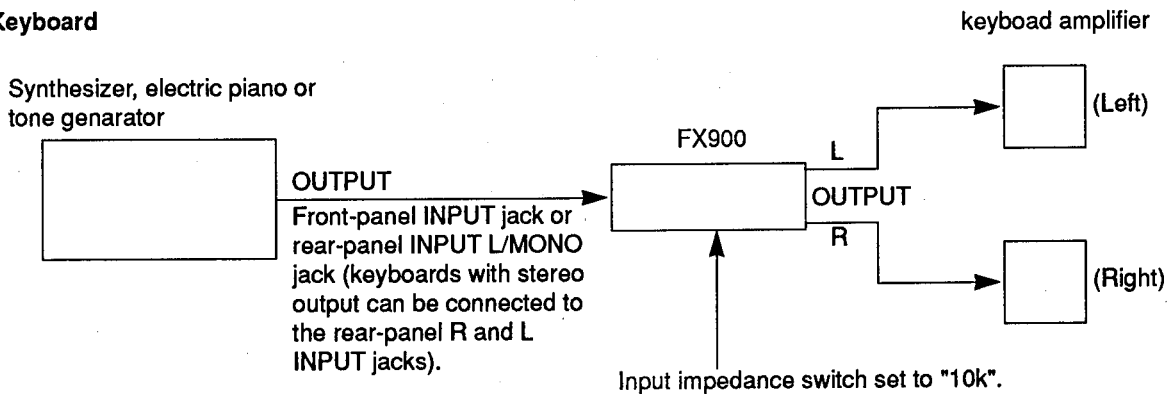
Basic System Configurations

Here's how the FX900 can be connected for use with electric guitar (or bass), an electronic keyboard, or in a multitrack recording system. The actual configuration of your system will naturally depend on your own individual requirements, but these examples may help to give you a few ideas.

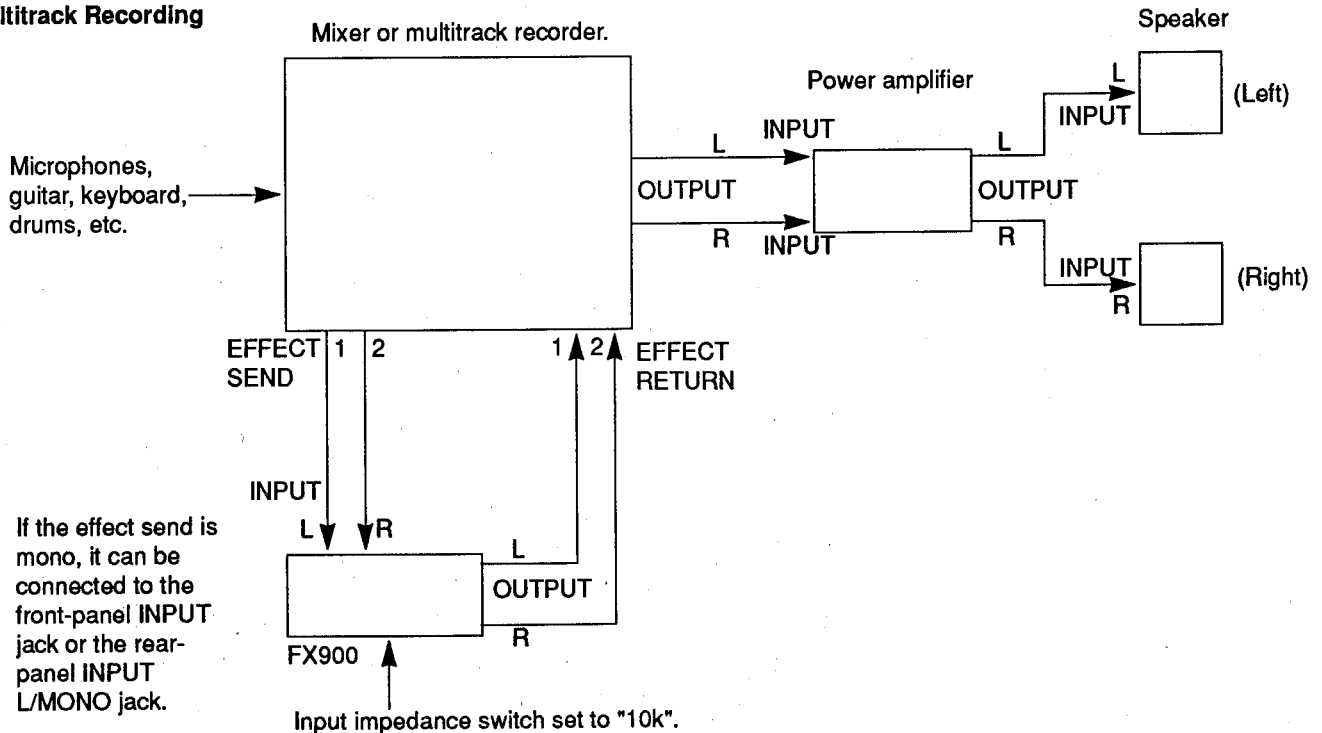
• Electric Guitar



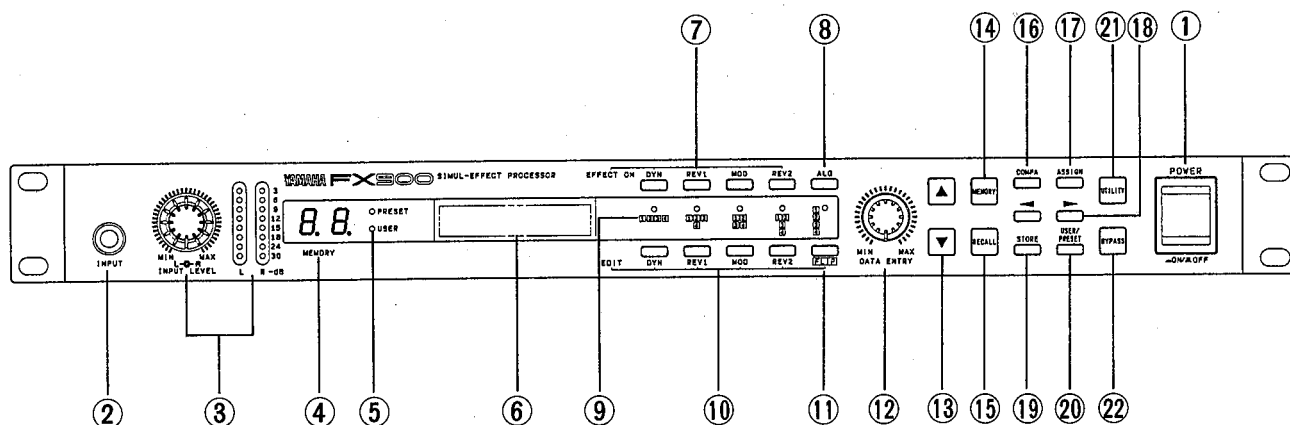
• Keyboard



• Multitrack Recording



4. The Controls: A Quick Operation Guide



- ① Power Switch**
Press once to turn the FX900 on, and a second time to turn the power off. When the power is turned on, a title and copyright notice will appear on the display panel for a few seconds before operation actually begins.
- ② Input Jack**
Plug your guitar or other mono signal source in here or into the INPUT L/MONO jack provided on the rear panel (see "3. INPUT R & L/MONO Jacks" in the "4. Connections: Basic System Setup" section). All input jacks are standard 1/4" phone jacks.
- ③ INPUT LEVEL Control with L and R Level Indicators**
For the optimum input level setting, play your source at the highest level it will be played in actual use, and adjust the INPUT LEVEL control so that all segments in the level indicators except the highest segment (3) light most of the time. The highest segment may light occasionally on brief high-level peaks. The highest segment features a 1-second peak-hold function.
- ④ LED MEMORY Number Display**
Indicates the selected program number — 0 through 99. Whether the selected program is in the PRESET or USER memory is indicated by the PRESET and USER LEDs, described below.
- ⑤ PRESET and USER Indicators**
These LEDs indicate whether the PRESET ROM memory area or the USER RAM memory area is selected. Selection is accomplished via the [USER/PRESET] key, described below.
[See page 11 for further details]
- ⑥ Liquid Crystal Display Panel**
This is the FX900's main "information center," providing all information necessary for effect program selection, programming and utility control.
- ⑦ EFFECT ON Keys — [DYN], [REV1], [MOD], [REV2]**
These keys are used to turn the corresponding effect group ON (indicator lit) or OFF (indicator out).
[See page 12 for further details]
- ⑧ [ALG] Key**
When the [ALG] (algorithm) key is pressed and lit, the [DATA ENTRY] control or [▲] and [▼] keys can be used to select a new algorithm for the currently selected effect program. In the algorithm selection mode it is also possible to assign different effects to the various algorithm blocks by moving the cursor to the desired block using the cursor [◀] and [▶] keys, and then by using the [▲] and [▼] keys to select a new effect. Press the [ALG] key a second time so that its indicator goes out to exit the algorithm selection mode.
[See page 13 for further details]
- ⑨ Algorithm Type Indicators**
These five indicators and the associated algorithm symbols indicate which of the FX900's five basic algorithm types is used in the currently selected effect.
[See page 13 for further details]
- ⑩ EDIT Keys — [DYN], [REV1], [MOD], [REV2]**
These keys provide access to the editable parameters of the effect currently in use in the corresponding effect group. Most effects have several "pages" of parameters that can be accessed by repeatedly pressing the corresponding EDIT key.
[See page 17 for further details]
- ⑪ [FLIP] Key**
The [FLIP] key is used to reverse the positions of any two effect groups in the current algorithm, allowing the various effect groups to be placed anywhere in the algorithm.
[See page 15 for further details]
- ⑫ [DATA ENTRY] Control**
The [DATA ENTRY] control can be used fast selection of programs, algorithm numbers, effects, and parameter values when in the corresponding modes. In many cases you might find it most efficient to use the [DATA ENTRY] control for quick coarse adjustment, and then use the data entry [▲] and [▼] keys (described next) for fine stepwise control. Rotate the [DATA ENTRY] control clockwise to increase the number or value, and counter-clockwise to decrease.
[See page 11 for further details]

⑬ Data Entry [▲] and [▼] Keys

The [▲] and [▼] keys allow stepwise selection of program numbers, algorithm numbers, effects, and parameter values when in the corresponding modes. These keys can also be held for continuous incrementing or decrementing. For even faster incrementing or decrementing, press the opposite data entry key after pressing and holding the key corresponding to the direction you want to increment or decrement in.

[See page 11 for further details]

⑭ [MEMORY] Mode Key and Indicator

When the [MEMORY] key indicator is lit, the FX900 MEMORY mode is active and effect programs (0 — 99, PRESET or USER) can be selected and recalled using the [DATA ENTRY] control or [▲] and [▼] keys and the [RECALL] key. The MEMORY mode can be activated while the EDIT mode is selected by pressing the [MEMORY] key. The MEMORY mode can not be directly selected from the UTILITY mode by pressing the [MEMORY] key. The UTILITY mode must first be exited by pressing and holding the [UTILITY] key until the [UTILITY] key indicator goes out (approximately 1 second).

[See page 11 for further details]

⑮ [RECALL] Key

After using the [DATA ENTRY] control or [▲] and [▼] keys to select a desired effect program while in the MEMORY mode, the [RECALL] key is pressed to actually recall and activate the selected program.

[See page 11 for further details]

⑯ [COMPA] Key

The [COMPA] (compare) key allows the sound of an effect being edited to be compared to the sound of the effect prior to editing. To hear the pre-edit effect, press the [COMPA] key so that it lights. Press the [COMPA] key a second time to exit the compare mode and return to the sound of the edit voice.

⑰ [ASSIGN] Key

The [ASSIGN] key is used to assign effect parameters for control via external MIDI controllers or foot controllers.

[See page 45 for further details]

⑱ Cursor Keys — [◀] and [▶]

These keys move the cursor left or right within a display page to select specific parameters for editing.

[See page 17 for further details]

⑲ [STORE] Key

After editing any of the effect programs (PRESET or USER 0 through 99), the new program can be stored in any of the FX900's RAM memory locations (USER 0 through 99) for later recall and use. The [STORE] key is used to store edited data to a RAM memory location.

[See page 18 for further details]

⑳ [USER/PRESET] Key

Selects the PRESET or USER memory area. The selected memory area is indicated by the PRESET and USER indicators next to the MEMORY number display. [See page 11 for further details]

㉑ [UTILITY] Mode Key and Indicator

Pressing this key activates the UTILITY mode, allowing access to several important utility functions:

- Title Edit [Page 42]
- MIDI Setup [Page 43]
- MIDI Program Change Table Edit [Page 44]
- Controller Assignment [Page 45]
- Foot Switch Memory Recall Range Edit [Page 43]
- Bulk Out [Page 49]

The [UTILITY] key lights when the UTILITY mode is active. Each time the [UTILITY] key is pressed the next function on the utility "list" is selected. The mode that was active before the [UTILITY] key was pressed (MEMORY or EDIT) is selected following the last function on the utility list. The UTILITY mode can also be exited by pressing and holding the [UTILITY] key until it goes out (about one second).

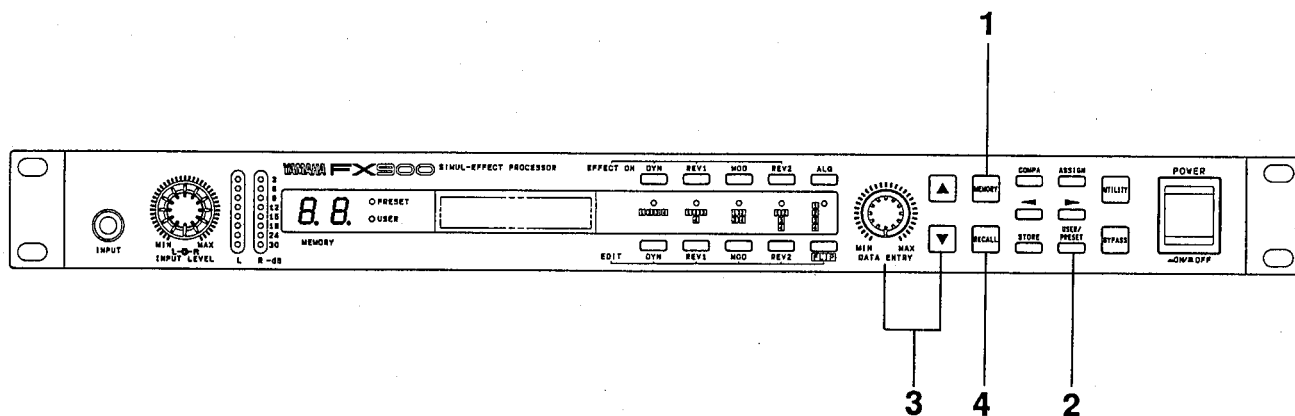
㉒ [BYPASS] Key

When the [BYPASS] key is pressed and lit, all FX900 effect stages are completely bypassed and the input signal is fed directly to the output. Press the [BYPASS] key a second time to turn the bypass function off. The rear-panel BYPASS footswitch jack can also be used for bypass control (see "12. BYPASS Jack").

5. The MEMORY Mode: Selecting Effect Programs

In the FX900 MEMORY mode, the [DATA ENTRY] control or [▲] and [▼] keys can be used to select individual effect programs. When a new program number is selected, its number will flash on the MEMORY display and its title will appear on the upper line of the LCD (the abbreviated names of the active effects in the selected program will appear on the bottom line). Press the [RECALL] key to actually recall and activate the selected program.

NOTE: When a MIDI program change message is received for effect selection, an "M" will appear briefly to the right of the lower display line.



1. If the MEMORY mode is not already selected (i.e. if the [MEMORY] key is not lit), press the [MEMORY] key to select the MEMORY mode.

NOTE: If the UTILITY mode is active (i.e. the [UTILITY] key is lit), it will be necessary to exit the UTILITY mode before selecting the MEMORY mode by pressing and holding the [UTILITY] key until it goes out (about one second).

2. If necessary, use the [USER/PRESET] key to select the USER or PRESET memory area.
3. Use the [DATA ENTRY] control or [▲] and [▼] keys to select the number of the desired effect program. Press the [▲] or [▼] key briefly to select the next highest or lowest numbered program, or hold either key down for continuous scrolling in the corresponding direction. Faster scrolling is achieved by pressing the opposite arrow key while holding the arrow key corresponding to the direction of scrolling.

4. The number of the selected effect program should now be flashing on the display, indicating that the program has been selected but has not yet been recalled (the previous effect program is still active). Press the [RECALL] key to actually recall and activate the selected program. The program number will stop flashing.

6. Editing

There are no hard-and-fast rules for effect editing. As you gain experience you'll undoubtedly develop a style that suits your individual needs. In general, however, you'll need to divide the process into several steps:

1. **Decide which effects you need.**
2. **Decide how they should be connected (i.e. which algorithm and how the effects are assigned to the algorithm blocks).**
3. **Edit the effect parameters if necessary.**
4. **Store the effect.**

In some cases you'll also need to make controller assignments, and you can use the UTILITY mode TITLE EDIT function (page 42) to give your effect an original name. In this section we'll cover the operations necessary to complete the basic editing sequence described above.

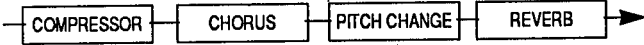
■ Effect Group Switching

The FX900 effect groups — and therefore the currently active effects in each group — can be individually turned ON or OFF by using the EFFECT ON keys — [DYN], [REV1], [MOD], and [REV2]. Pressing any of these keys alternately turns the corresponding effect group ON (key lit) or OFF (key out). When a stage is turned OFF, it is bypassed and essentially "removed" from the algorithm. This makes it possible to hear the various effects in an algorithm individually or in any desired combination. You won't always want to use all four effects for every program you create, so unneeded effects should be turned OFF.

NOTE: The ON/OFF status of each effect is stored to the RAM memory along with all other effect data when a STORE operation is performed (see "Memory Store" on page 18).

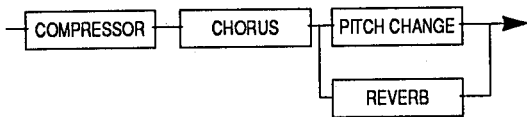
■ Changing Algorithms

Deciding which algorithm to use for a particular combination of effects requires a little logical thought. Consider, for example, the following effect chain:



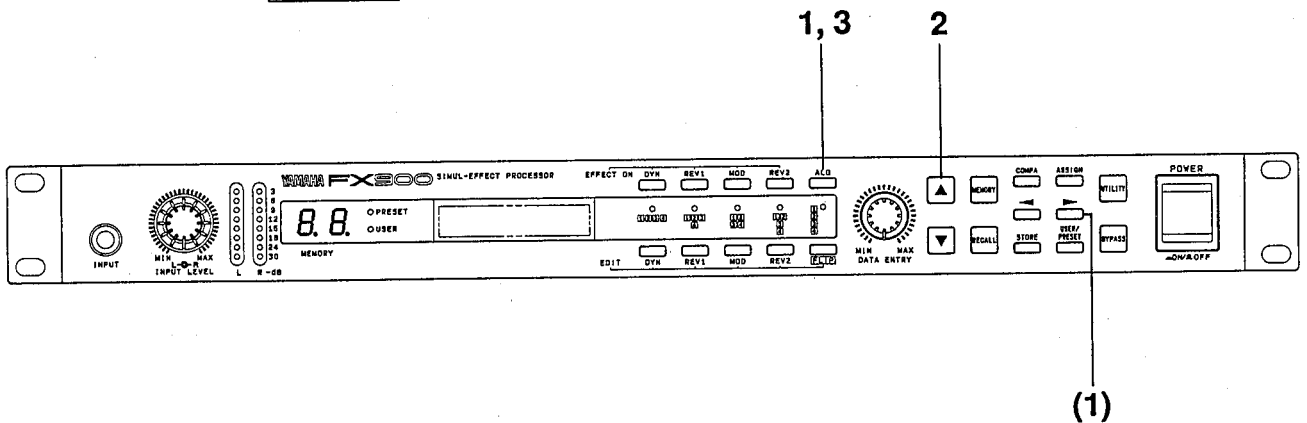
Compression, when used, will nearly always be the first effect in a chain because the following effects usually benefit from a "smoother" input signal. Chorus follows the compressor in this example, and this stage is followed by a pitch change effect. Reverb comes last simply because we usually want to apply reverb to the entire sound.

Now let's see what happens if we modify this arrangement slightly:



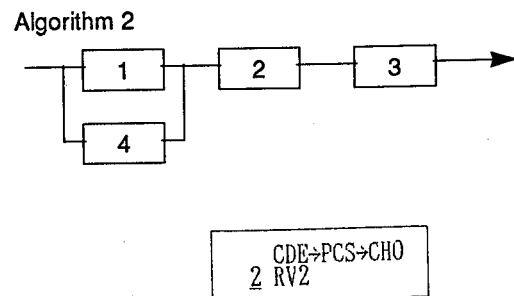
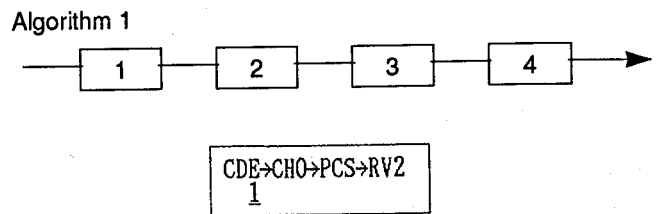
In this case the reverb stage is connected in parallel with the pitch change stage. Reverb is applied to the compressed and chorused signal, but not to the pitch change effect. The output will be a combination of relatively "dry" compressor/chorus/pitch change, and compressor/chorus with reverb.

Obviously things can get quite complex, but this highlights the incredible versatility provided by the FX900 algorithm system. Perhaps the best approach to selecting an algorithm is to logically determine the configuration that seems like it will provide the sound you need, then simply try it. If it doesn't work out the way you planned, then try other configurations until you're satisfied. After a while you'll develop a "feel" for the various combinations, and will be able to program quickly and efficiently.

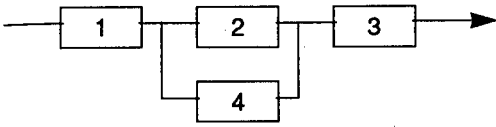


1. Press the [ALG] key so that it lights. The currently selected algorithm will appear on the display, and the underline cursor will be positioned below the algorithm number at the lower left-hand corner (the cursor can be moved by using the cursor [◀] and [▶] keys, but for now we want it under the algorithm number).
2. Use the [DATA ENTRY] control or [▲] and [▼] keys to select the desired algorithm.
3. Press the [ALG] key again to return to the previous mode.

The algorithm displays correspond to the various algorithms as follows (the effect assignments shown are those of PRESET program number 1: Grand Dist.):

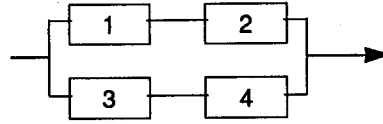


Algorithm 3



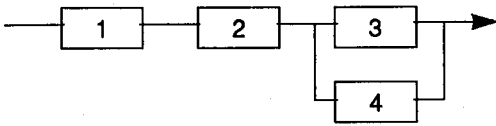
3 CDE→CHO→PCS
RV2

Algorithm 8



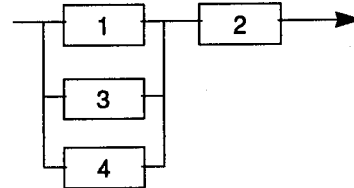
8 CDE→CHO
PCS→RV2

Algorithm 4



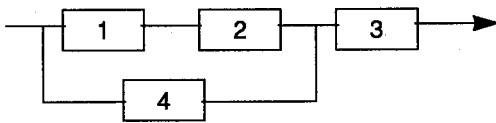
4 CDE→CHO→PCS
RV2

Algorithm 9



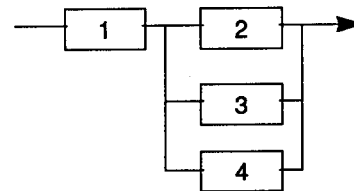
9 --CDE-->CHO
PCS/RV2

Algorithm 5



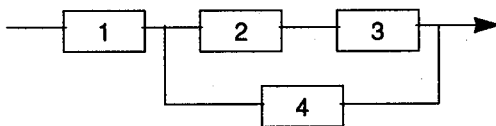
5 CDE→CHO→PCS
-->RV2-->

Algorithm 10



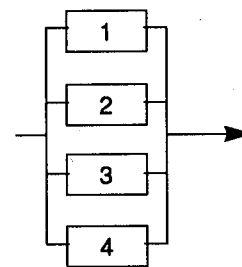
10 CDE-->CHO->
PCS/RV2

Algorithm 6



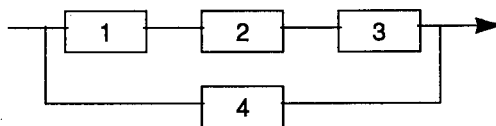
6 CDE→CHO→PCS
-->RV2-->

Algorithm 11



11 ---->CDE---->
CHO/PCS/RV2

Algorithm 7

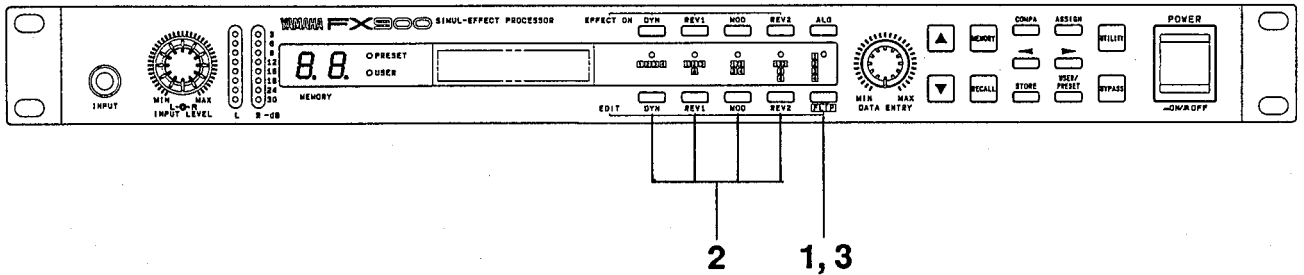


7 CDE→CHO→PCS
---->RV2---->

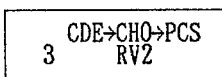
■ Flipping & Assigning Effects

While in the algorithm assignment mode (while the [ALG] key is lit) you can rearrange the positions of the effect groups in the four algorithm blocks by using the "flip" function, and assign specific effects from each group.

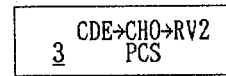
● Flipping Effect Groups



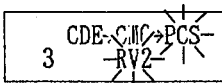
1. Press the [FLIP] key so that it lights (the [ALG] key will also light if it was not already lit). For this example, we'll flip the positions of the PCS (REV1 group) and RV2 (REV2 group) effects.



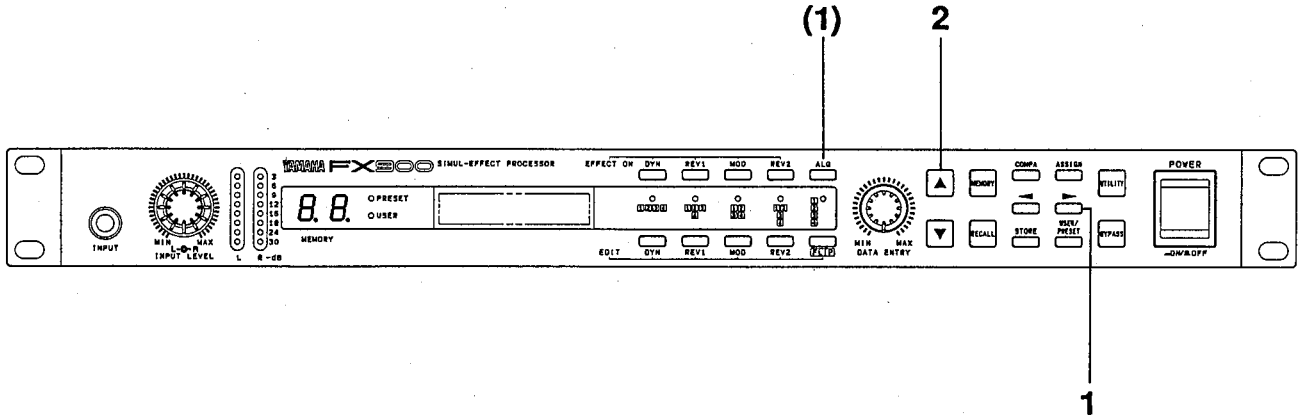
3. Press the [FLIP] key again, and the positions of the two selected effects will be reversed. The [FLIP] key will also go out.



2. Press the EDIT keys corresponding to the effect groups you want to flip — [REV1] and [REV2] in this case. The effect names corresponding to the two selected effect groups will flash alternately on the display.



● Assigning Effects



1. While in the algorithm selection mode (while the [ALG] key is lit) use the cursor [◀] and [▶] keys to position the underline cursor under the effect you wish to change.
2. Use the [DATA ENTRY] control or [▲] and [▼] keys to select the desired effect.

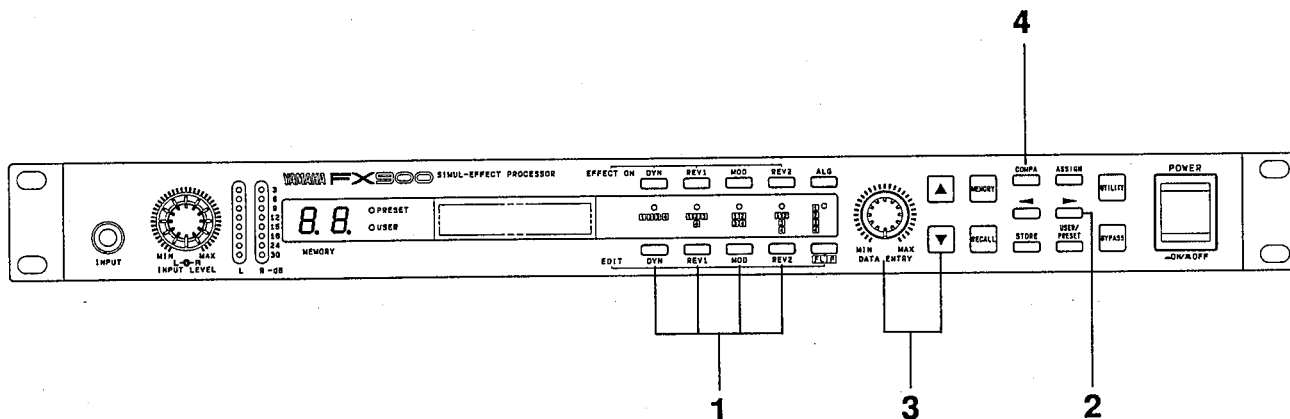
Here, once again, is a list of the effects available in each group, along with their three-letter abbreviations.

Group	Effect	Description
DYN	CDE	Compressor/distortion/equalizer
	CMP	Dual compressor*
	ENH	Dual enhancer
	WAH	Stereo wah*
	PEQ	Dual parametric equalizer
	MBD	Multi-band distortion
	CDW	Compressor/distortion/equalizer/wah
	DST	Stereo distortion/equalizer
REV1	PCM	Mono pitch change
	PCS	Stereo pitch change
	RV1	Reverb 1
	ER1	Early reflections 1
	DL1	Mono delay 1
	EC1	Echo (stereo delay) 1
	MD1	Modulation delay 1
MT1	Multi tap delay 1	
MOD	CHO	Chorus
	FLG	Flanger
	SYM	Symphonic
	TRM	Tremolo
	PAN	Round pan
REV2	RV2	Reverb 2
	ER2	Early reflections 2
	DL2	Mono delay 2
	EC2	Echo (stereo delay) 2
	MT2	Multi tap delay 2
	R+D	Reverb + delay 2

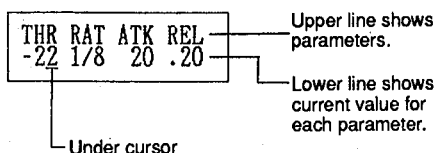
* "Dual" programs have separate parameters for the left and right channels, while "Stereo" programs have a single set of parameters for both channels.

■ Accessing & Editing the Parameters

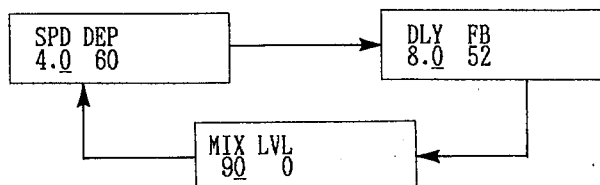
The FX900 edit mode provides access to several important parameters for each effect, allowing you to change the sound of each effect over a broad range to suit your specific requirements. Once the parameters for each effect have been programmed and fine-tuned to provide exactly the sound you want, the entire effect program can be stored into one of the FX900's USER memory locations for later recall and use.



1. The edit mode is entered by pressing the EDIT key corresponding to the effect group containing the effect you want to edit — [DYN], [REV1], [MOD], or [REV2]. The parameter abbreviations are displayed on the upper line of the LCD, and the corresponding data values are shown on the bottom line (the parameters will be described in detail in the following sections).



2. Use the cursor ◀ and ▶ keys to move the cursor to the parameter to be edited. In most effects, two or more parameter screens are required, so the next screen will appear when the cursor is moved past the last parameter on each screen. The first screen is re-selected after the last parameter on the last screen. It is also possible to step through the various parameters screens by repeatedly pressing the currently select (lit) EDIT key. The modulation stage flanger effect, for example, has the following three parameter screens:

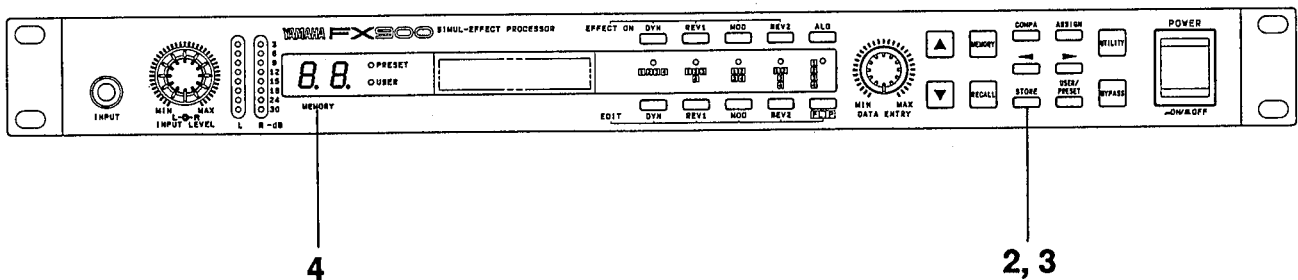
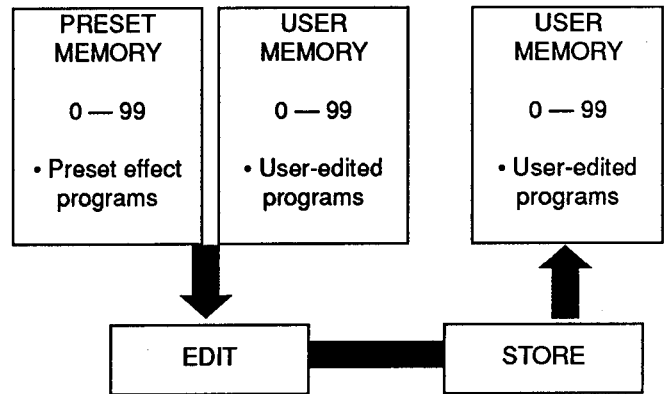


3. Use the [DATA ENTRY] control or [▲] and [▼] keys to adjust the value of the selected parameter. If you hold the [▲] or [▼] key the data will scroll continuously in the specified direction. The data will scroll faster if you press the opposite arrow key while holding either the [▲] or [▼] key.
4. The sound of the edited effect program can be compared with sound of the program prior to editing by pressing the [COMP] key. While the [COMP] key is lit, the pre-edit program is active. Press the [COMP] key again so that it goes out to return to the edited program.

NOTE: To prevent accidental loss of edited data, the FX900 responds with a confirmation display — "RECALL OK?" — if you press the [RECALL] key while editing. If you actually intend to recall the original (pre-edit) effect and return to the MEMORY mode, press the [RECALL] key a second time. If you do not want to carry out the recall operation, simply press any key other than the [RECALL] key.

Memory Store

An edited effect program can be stored in any memory location within the FX900's USER memory area (0 through 99). Original effect programs stored in this way can be selected and used in exactly the same way as the preset effect programs. The ON/OFF status of each effect, the selected algorithm, and effect assignments, are stored along with all other parameter data. The UTILITY mode TITLE EDIT function can be used to create new titles for your original effect programs after you have stored them in USER memory.



1. After editing the parameters to create the desired effect, select the MEMORY mode and select the USER memory location (0 — 99) to which you wish to store the edited data (do not press the [RECALL] key).
2. Press the [STORE] key.

```
STORE OK ?
PRE: 1 → USR:12
```

In this example, an edited version of PRESET program 1 will be stored to USER memory location 12.

3. Press the [STORE] key again. The following display will appear for a few seconds while the store operation is in progress. If you decide not to go ahead with the store operation, simply press any key other than the [STORE] key.

```
MEMORY STORE
PRE: 1 → USR:12
```

4. When the store operation is complete, the memory location stored to will be selected automatically (the MEMORY number display will stop flashing).
5. Use the UTILITY mode TITLE EDIT function to give your program an original name. The TITLE EDIT function is described in detail on page 42.

NOTE: If you attempt to use the STORE function while a ROM memory location is selected, the following display will appear and the store operation will be aborted.

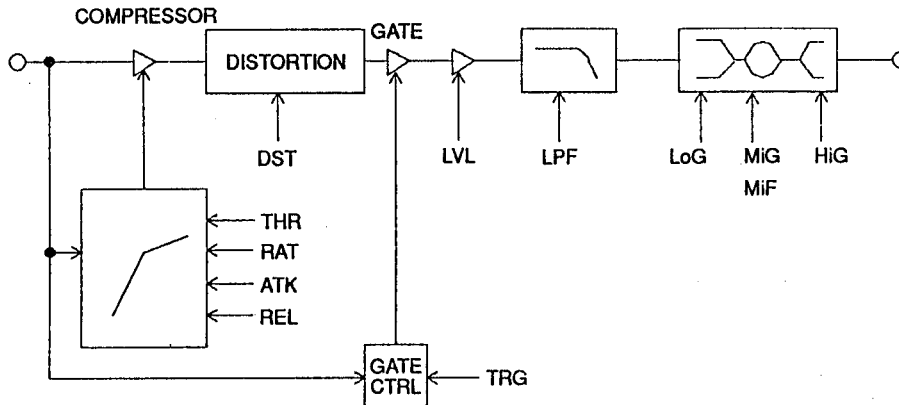
```
* CANNOT STORE *
PRESET AREA
```

7. The Effects and their Parameters

■ DYN (Dynamic) GROUP

● CDE — Compressor/Distortion/Equalizer

This effect actually combines a versatile compressor, distortion, and three-band equalization in a single effect stage.



THR	RAT	ATK	REL
-20	1/∞	5.0	.20

DST	TRG	LPF	LVL
150	-45	THRU	-10

LoG	MiG	MiF	HiG
-7	+2	2.2k	0

ATK (Attack: 1.0 — 20 mS)

Determines how long it takes for compression to begin after an input signal is detected. Higher values produce a longer attack time, allowing more of the natural attack of the input signal to come through. This parameter is particularly useful if, for example, you want to retain a sharp attack while increasing sustain.

REL (Release: 0.01 — 2.0 sec)

Determines how long it takes for the compression to be fully released after the input signal drops below the threshold level. This parameter can be used to eliminate unnatural level variations that can occur if the compression is suddenly released below the threshold.

Compressor

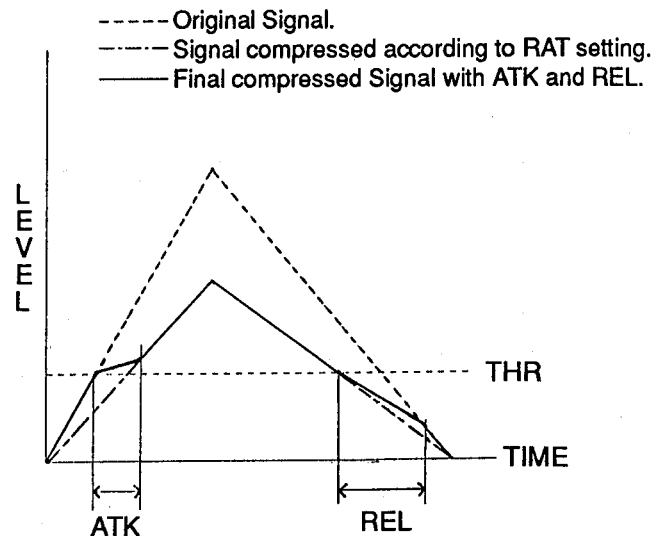
The compressor produces sustain or simple "smoothing" by compressing the signal so that high levels are suppressed while low levels are effectively boosted. The use of compression before other effect stages is particularly effective because it limits the signal to a dynamic range that results in the best sound with the subsequent effects.

THR (Threshold: -42 — 0 dB)

Sets the compressor threshold level. Signal levels exceeding the threshold level will be compressed while those below the threshold level will be unaffected.

RAT (Ratio: 1/2, 1/3, 1/4, 1/6, 1/8, 1/∞)

This parameter sets the degree of compression. A compression ratio of 1/2, for example, compresses signals above the threshold level to one-half their original amplitude. A setting of 1/∞ produces almost total compression, producing the same signal level for all signals above the threshold level and therefore the greatest degree of sustain.



Distortion

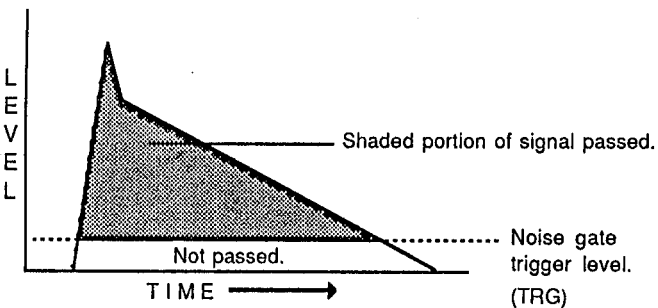
The CDE distortion stage digitally produces smooth, rich distortion that can be adjusted to achieve an extremely wide variety of effects. In addition to providing full control of the degree of distortion produced, a built-in noise gate function with adjustable trigger level effectively shuts out unwanted noise.

DST (Distortion Drive Level: 0 — 200)

Sets the degree of distortion produced. Higher values produce more distortion.

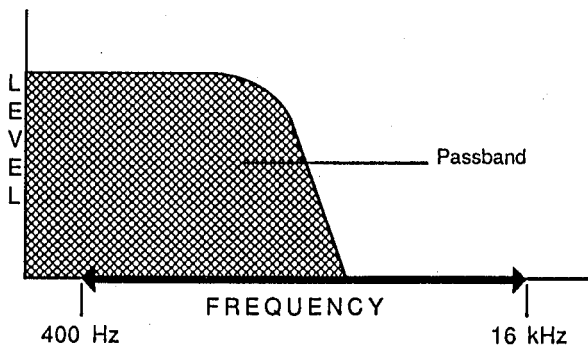
TGR (Noise Gate Trigger Level: -80 — -30 dB)

Sets the threshold level of the distortion effect stage noise gate. Signals below the threshold level are suppressed, thus reducing noise. Caution: excessively high TRG levels can cause notes to be cut off unnaturally.



LPF (Low Pass Filter Cutoff Frequency: 500Hz — 16kHz, THRU)

Controls the tone of the distortion sound. Set at 500 Hz, only signals below 500 Hz will be passed, resulting in a deep, bassy sound. As the LPF frequency is increased more of the total frequency range is passed. When set to THRU, the LPF is effectively OFF and has no effect.

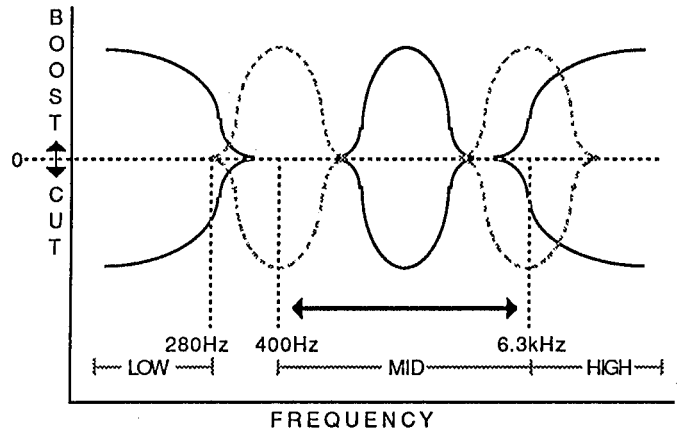


LVL (Output Level: -∞, -30 — +6 dB)

Determines the output level of the CDE effect. The effect output can be turned off by setting this parameter to $-\infty$. This, however, means that any following effect stages also receive no signal, and will produce no effect. Use the appropriate front-panel EFFECT ON key to bypass the effect if necessary.

Equalizer

The CDE effect features a three-band equalizer stage for wide ranging tonal control. Up to 15 dB of boost or cut can be applied to the low, mid and high bands, and the center frequency of the mid band can be adjusted over a broad 400 Hz — 6.3 kHz range.



LoG (Low Gain: -15 — +15 dB)

Sets the amount of boost or cut applied to frequencies below 280 Hz. A setting of + 0 produces no boost or cut. Minus values produce cut and plus values produce boost.

MiG (Mid Gain: -15 — +15 dB)

Sets the amount of boost or cut applied to mid-band frequencies. A setting of + 0 produces no boost or cut. Minus values produce cut and plus values produce boost.

MiF (Mid Frequency: 400 — 6.3 kHz)

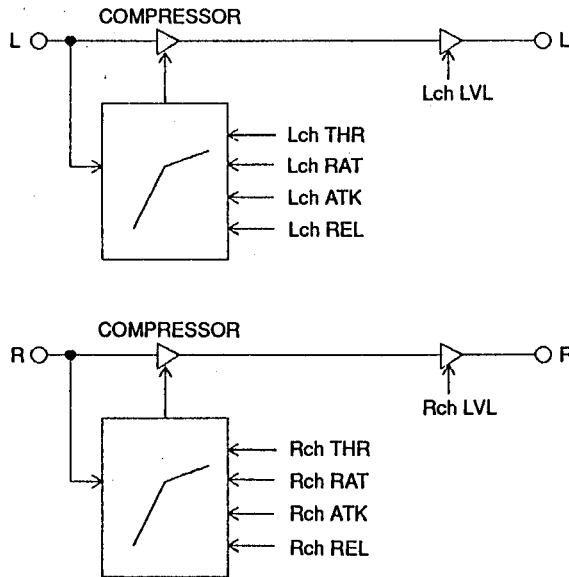
Sets the center frequency of the Mid equalizer band.

HIG (High Gain: -15 — +15 dB)

Sets the amount of boost or cut applied to frequencies above 6.3 kHz. A setting of + 0 produces no boost or cut. Minus values produce cut and plus values produce boost.

● CMP — Dual Compressor

This is an extremely versatile compressor stage with independent left- and right-channel settings.



Lch THR RAT ATK
-20 1/∞ 5.0

Lch REL LVL
.20 -10

Rch THR RAT ATK
-20 1/∞ 5.0

Rch REL LVL
.20 -10

Lch LVL (Left Channel Output Level: -∞, -30 — +6 dB)
Sets the left-channel output level of the CMP effect.

* The above parameters are all duplicated for the right channel (Rch).

Lch THR (Left Channel Threshold: -36 — 0 dB)

Sets the left-channel compressor threshold level. Refer to page 19.

Lch RAT (Left Channel Ratio: 1/2, 1/3, 1/4, 1/6, 1/8, 1/∞)

This parameter sets the degree of left-channel compression. Refer to page 19.

Lch ATK (Left Channel Attack: 1.0 — 20 mS)

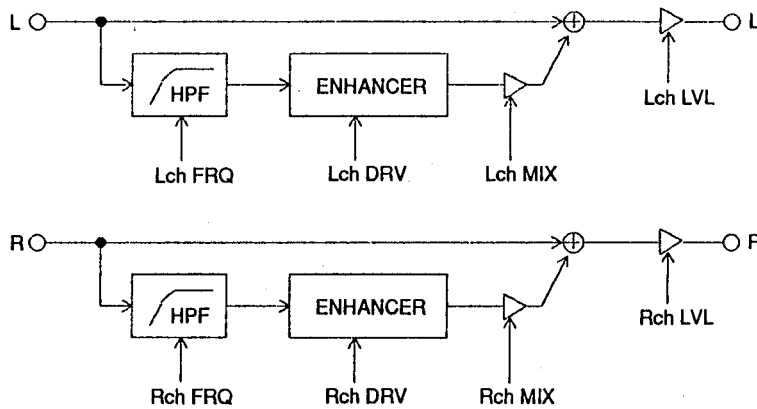
Determines how long it takes for left-channel compression to begin after an input signal is detected. Refer to page 19.

Lch REL (Left Channel Release: 0.01 — 2.0 sec)

Determines how long it takes for left-channel compression to be fully released after the input signal drops below the threshold level. Refer to page 19.

● ENH — Dual Enhancer

This program artificially adds appropriate harmonics to the input signal, adding luster and effectively bringing "buried" sounds to the foreground.



Lch	FRQ	DRV	MIX
	700	60	25

Rch	FRQ	DRV	MIX
	700	60	25

Lch LVL	Rch LVL
-6	-6

Lch FRQ (Left Channel High Pass Frequency: 400Hz — 10.0kHz)

Determines the cutoff frequency of the left-channel high-pass filter. This parameter makes it possible to specify the range of frequencies that will be affected by the enhancer — i.e. only frequency above the cutoff will be enhanced.

Lch DRV (Left Channel Drive: 0 — 100)

Sets the level of the harmonics added to the left-channel input sound. The higher the value, the greater the exciter effect.

Lch MIX (Left Channel Mix: 0 — 50%)

Sets the mixture or balance between the direct input sound and the applied harmonics. A setting of "0" produces only the direct sound.

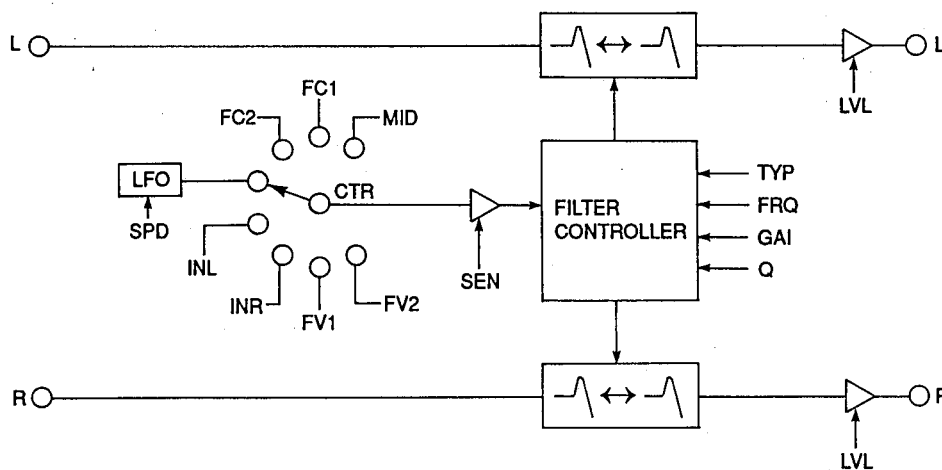
Lch LVL (Left Channel Output Level: $-\infty$, -30 — +6 dB)

Sets the left-channel output level of the ENH effect.

* The above parameters are all duplicated for the right channel (Rch).

● WAH — Stereo Wah

This fully programmable stereo wah effect can be controlled by input signal level, an internal LFO, a foot controller, or MIDI control change data.



TYP	FRQ	GAI	Q
PEK	250	0	2.8

SEN	CTR	SPD	LVL
5	AUT	7.5	0

TYP (Filter Type: PEK, LPF, HPF, BPF)

Selects the type of filter response used to produce the wah effect — PEK = peaking; LPF = low-pass filter; HPF = high-pass filter; BPF = bandpass filter.

FRQ (Frequency: 40Hz — 8 kHz)

Sets the basic frequency around which the wah filter sweep will occur — i.e. the center or cutoff frequency of the selected filter type.

GAIN (Gain: -18 — +18 dB)

This parameter is only available when the "PEK" filter type is selected in the "TYP" parameter. It sets the gain of the filter peak — minus values for a notch response and plus values for a normal peak response.

Q (Quality Factor: 0.50 — 10)

When the TYP parameter, above, is set to "PEK" or "BPF", this parameter sets the bandwidth of the peak or passband. When TYP is set to "LPF" or "HPF", the Q parameter controls resonance (a peak at the filter cutoff frequency). Higher values produce a narrower bandwidth or higher resonant peak.

SEN (Sensitivity: 0 — 10)

Determines the sensitivity of the wah effect. Higher values produce a broader frequency sweep.

CTR (Controller: LFO, INL, INR, FV1, FV2, MID, FC1, FC2)

Selects the control mode for the wah effect:

LFO — the FX900's internal low-frequency oscillator controls the wah effect.

INL — the wah effect is controlled by the left-channel input signal level. Higher input levels produce a broader sweep.

INR — the wah effect is controlled by the right-channel input signal level. Higher input levels produce a broader sweep.

FV1 — An optional Yamaha FC7 Foot Controller plugged into the rear-panel FOOT VOL 1 jack controls the wah effect.

FV2 — An optional Yamaha FC7 Foot Controller plugged into the rear-panel FOOT VOL 2 jack controls the wah effect.

FC1 — A Yamaha FC7 Foot Controller plugged into the FOOT CONTROL 1 jack of the optional FC900 Foot Controller controls the wah effect.

FC2 — A Yamaha FC7 Foot Controller plugged into the FOOT CONTROL 2 jack of the optional FC900 Foot Controller controls the wah effect.

MID — MIDI control change "foot controller" data (control no. 4) controls the wah sweep.

SPD (Modulation Speed: 0.1Hz — 10Hz)

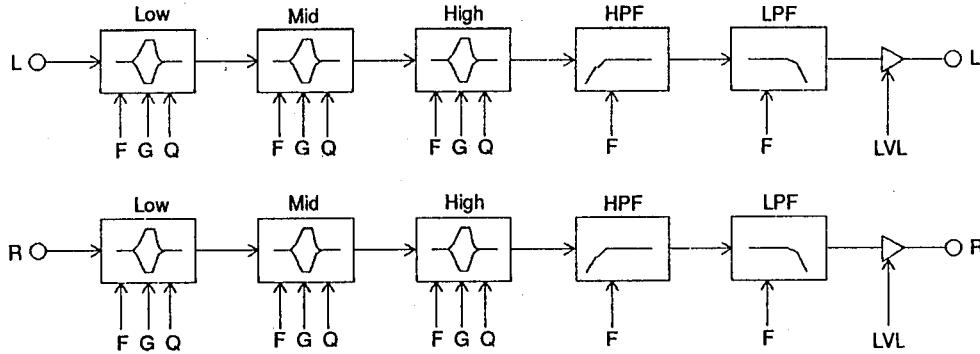
Sets the speed of the internal low-frequency oscillator — effective when the LFO control option is selected in the "CTR" parameter, above.

LVL (Output Level: ∞, -30 — +6 dB)

Sets the output level of the WAH effect.

● PEQ — Dual Parametric Equalizer

A three-band parametric equalizer with independent left- and right-channel settings.



Lch LoG LoQ LoF
-7 1.0 140

Rch LoG LoQ LoF
-7 1.0 140

Lch MiG MiQ MiF
+2 10 2.8k

Rch MiG MiQ MiF
+2 10 2.8k

Lch HiG HiQ HiF
0 3.2 7.0k

Rch HiG HiQ HiF
0 3.2 7.0k

Lch HPF LPF LVL
THRU THRU 0

Rch HPF LPF LVL
THRU THRU 0

Lch LoG (Left Channel Low Gain: -15 — +15 dB)

Sets the amount of boost or cut applied to the low-band frequencies. A setting of +0 produces no boost or cut. Minus values produce cut and plus values produce boost.

Lch LoQ (Left Channel Low Quality Factor: 0.10 — 10)

Sets the bandwidth of the low EQ band. Higher values produce a sharper (narrower) bandwidth.

Lch LoF (Left Channel Low Frequency: 40Hz — 1.0kHz)
Sets the center frequency of the low equalizer band.

Lch MiG (Left Channel Mid Gain: -15 — +15 dB)
Sets the amount of boost or cut applied to mid-band frequencies.

Lch MiQ (Left Channel Mid Quality Factor: 0.10 — 10)
Sets the bandwidth of the middle EQ band. Higher values produce a sharper (narrower) bandwidth.

Lch MiF (Left Channel Mid Frequency: 250Hz — 4.0kHz)
Sets the center frequency of the middle equalizer band.

Lch HiG (Left Channel High Gain: -15 — +15 dB)
Sets the amount of boost or cut applied to the high-band frequencies.

Lch HiQ (Left Channel High Quality Factor: 0.10 — 10)
Sets the bandwidth of the high EQ band. Higher values produce a sharper (narrower) bandwidth.

Lch HiF (Left Channel High Frequency: 0.1kHz — 16kHz)
Sets the center frequency of the high equalizer band.

Lch HPF (Left Channel High Pass Frequency: THRU, 20Hz — 1.0kHz)
Sets the cutoff frequency of the left-channel high-pass filter. The "THRU" setting bypasses the filter.

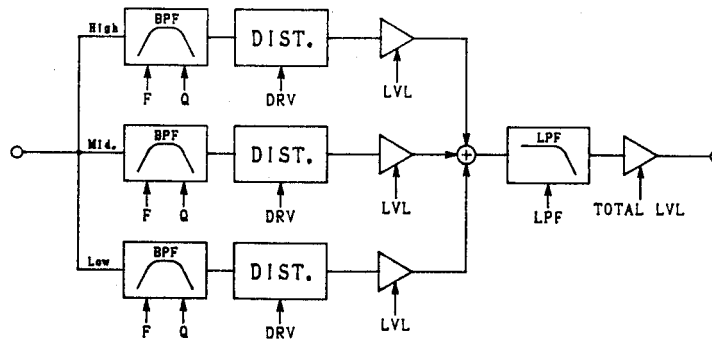
Lch LPF (Left Channel Low Pass Frequency: 1.0kHz — 16kHz, THRU)
Sets the cutoff frequency of the left-channel low-pass filter. The "THRU" setting bypasses the filter.

Lch LVL (Left Channel Output Level: -∞, -30 — +6 dB)
Sets the left-channel output level of the PEQ effect.

* The above parameters are all duplicated for the right channel (Rch).

● MBD — Multi-band Distortion

This effect allows distortion to be applied independently to three separate frequency bands, for extraordinary distortion control.



Lo-F	Q	DRV	LVL
100	.70	20	0

Mi-F	Q	DRV	LVL
1.0k	.70	60	0

Hi-F	Q	DRV	LVL
10k	.70	70	0

LPF	TOTAL LVL
9.0k	-10

Lo-F (Low Distortion Frequency: 80Hz — 800Hz)

Sets the center frequency for the low distortion band.

Lo-Q (Low Distortion Quality Factor: 0.10 — 10)

Sets the bandwidth of the low distortion band. Higher values produce a sharper (narrower) bandwidth.

Lo-DRV (Low Distortion Drive: 0 — 200)

Sets the degree of low-band distortion produced. Higher values produce more distortion.

Lo-LVL (Low Distortion Output Level: -30 — +6dB)

Sets the output level from the low distortion band. This parameter should be used in conjunction with the Mi-LVL and Hi-LVL parameters to produce the required "mix" between distortion bands.

Mi-F (Mid Distortion Frequency: 250Hz — 2.5kHz)

Sets the center frequency for the middle distortion band.

Mi-Q (Mid Distortion Quality Factor: 0.10 — 10)

Sets the bandwidth of the middle distortion band. Higher values produce a sharper (narrower) bandwidth.

Mi-DRV (Mid Distortion Drive: 0 — 200)

Sets the degree of mid-band distortion produced. Higher values produce more distortion.

Mi-LVL (Mid Distortion Output Level: -30 — +6dB)

Sets the output level from the middle distortion band. This parameter should be used in conjunction with the Lo-LVL and Hi-LVL parameters to produce the required "mix" between distortion bands.

Hi-F (High Distortion Frequency: 800Hz — 8.0kHz)

Sets the center frequency for the high distortion band.

Hi-Q (High Distortion Quality Factor: 0.10 — 10)

Sets the bandwidth of the high distortion band. Higher values produce a sharper (narrower) bandwidth.

Hi-DRV (High Distortion Drive: 0 — 200)

Sets the degree of high-band distortion produced. Higher values produce more distortion.

Hi-LVL (High Distortion Output Level: -30 — +6dB)

Sets the output level from the high distortion band. This parameter should be used in conjunction with the Lo-LVL and Mi-LVL parameters to produce the required "mix" between distortion bands.

LPF (Low Pass Filter Cutoff Frequency: 500HZ — 16kHz, THRU)

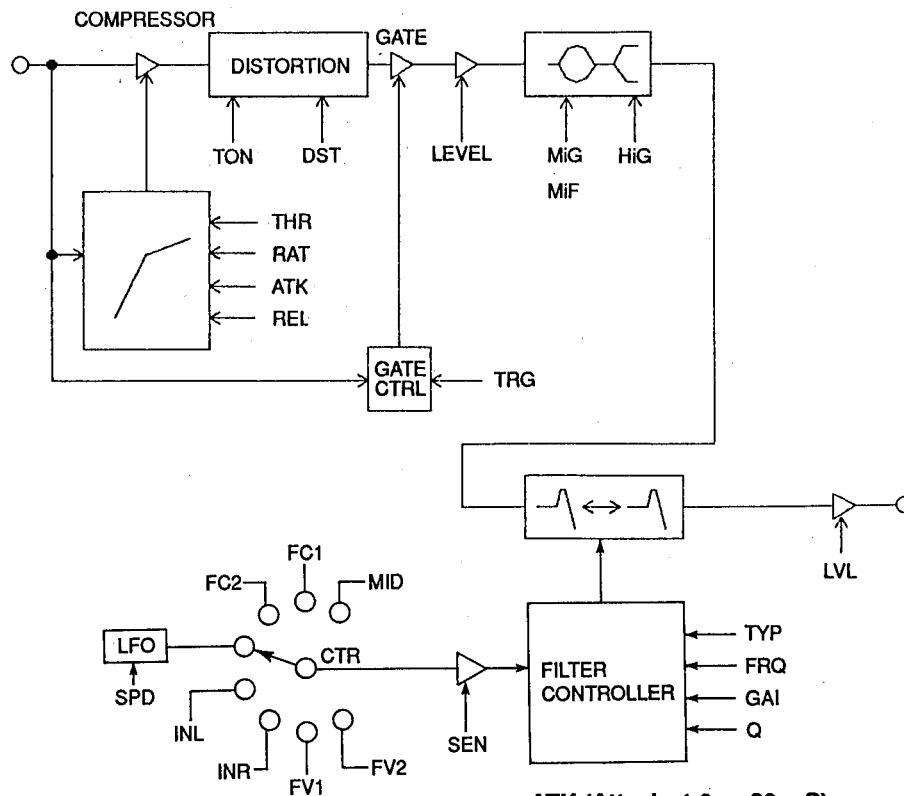
Controls the tone of the distortion sound. Refer to page 20.

TOTAL LVL (Total Output Level: -∞, -30 — +6dB)

Sets the overall output level of the MBD effect.

● CDW — Compressor/Distortion/Equalizer/Wah

This parameter-packed effect stage provides a chain of four independent effects — compressor, distortion, equalizer, and wah.



THR	RAT	ATK	REL
-20	1/∞	5.0	.20

DST	TRG	TON
100	-45	800

MiG	MiF	HiG
+2	2.2k	0

TYP	FRQ	GAI	Q
PEK	250	0	2.8

SEN	CTR	SPD	LVL
5	AUT	7.5	0

Compressor

THR (Threshold: -24 — 0 dB)

Sets the compressor threshold level. Refer to page 19.

RAT (Ratio: 1/2, 1/3, 1/4, 1/6, 1/8, 1/∞)

This parameter sets the degree of compression. Refer to page 19.

ATK (Attack: 1.0 — 20 ms)

Determines how long it takes for compression to begin after an input signal is detected. Refer to page 19.

REL (Release: 0.01 — 2.0 sec)

Determines how long it takes for the compression to be fully released after the input signal drops below the threshold level. Refer to page 19.

Distortion

DST (Distortion Drive Level: 0 — 200)

Sets the degree of distortion produced. Higher values produce more distortion.

TGR (Noise Gate Trigger Level: -80 — -30 dB)

Sets the threshold level of the distortion effect stage noise gate. Refer to page 20.

TON (Low Pass Filter Cutoff Frequency: 100Hz — 8kHz)

Controls the tone of the distortion sound.

Equalizer

MiG (Mid Gain: -15 — +15 dB)

Sets the amount of boost or cut applied to mid-band frequencies.

MIF (Mid Frequency: 400 — 6.3 kHz)

Sets the center frequency of the Mid equalizer band.

HIG (High Gain: -15 — +15 dB)

Sets the amount of boost or cut applied to frequencies above 6.3 kHz.

Wah

TYP (Filter Type: PEK, LPF, HPF, BPF)

Selects the type of filter response used to produce the wah effect. Refer to page 23.

FRQ (Frequency: 40Hz — 8 kHz)

Sets the basic frequency around which the wah filter sweep will occur — i.e. the center or cutoff frequency of the selected filter type.

GAIN (Gain: -18 — +18 dB)

This parameter is only available when the "PEK" filter type is selected in the "TYP" parameter. It sets the gain of the filter peak — minus values for a notch response and plus values for a normal peak response.

Q (Quality Factor: 0.50 — 10)

When the TYP parameter, above, is set to "PEQ" or "BPF", this parameter sets the bandwidth of the peak or passband. When TYP is set to "LPF" or "HPF", the Q parameter controls resonance (a peak at the filter cutoff frequency). Higher values produce a narrower bandwidth or higher resonant peak.

SEN (Sensitivity: 0 — 10)

Determines the sensitivity of the wah effect. Higher values produce a broader frequency sweep.

CTR (Controller: LFO, INL, INR, FV1, FV2, MID, FC1, FC2)

Selects the control mode for the wah effect. Refer to page 23.

SPD (Modulation Speed: 0.1Hz — 10Hz)

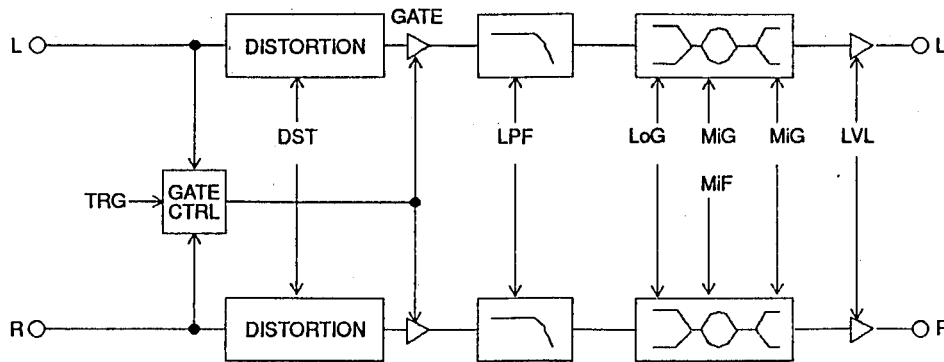
Sets the speed of the internal low-frequency oscillator — effective when the LFO control option is selected in the "CTR" parameter, above.

LVL (Output Level: -∞, -30 — +6 dB)

Sets the output level of the CDW effect.

● DST — Stereo Distortion/Equalizer

If you don't need the compression capabilities of the CDE or CDW effects, this effect offers a combination of distortion and equalizer.



DST	TRG	LPF	LVL
100	-45	7.0k	0

LoG	MiG	MiF	HiG
+2	-3	2.2k	0

HiG (High Gain: -15 — +15 dB)

Sets the amount of boost or cut applied to frequencies above 6.3 kHz.

Distortion

DST (Distortion Drive Level: 0 — 200)

Sets the degree of distortion produced. Higher values produce more distortion.

TGR (Noise Gate Trigger Level: -80 — -30 dB)

Sets the threshold level of the distortion effect stage noise gate. Refer to page 20.

LPF (Low Pass Filter Cutoff Frequency: 500HZ — 16kHz, THRU)

Controls the tone of the distortion sound. Refer to page 20.

LVL (Output Level: -∞, -30 — +6 dB)

Determines the output level of the DST effect.

Equalizer

LoG (Low Gain: -15 — +15 dB)

Sets the amount of boost or cut applied to frequencies below 280 Hz. Refer to page 20.

MiG (Mid Gain: -15 — +15 dB)

Sets the amount of boost or cut applied to mid-band frequencies.

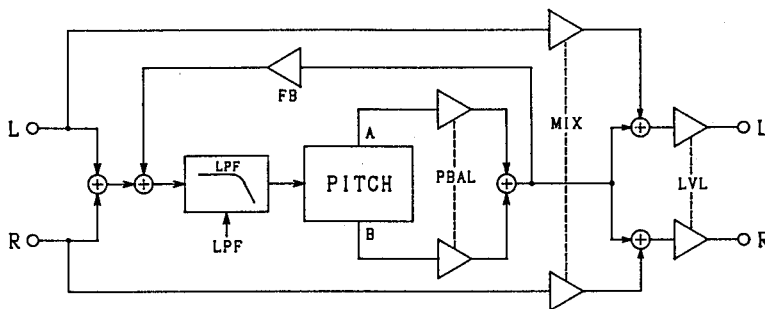
MiF (Mid Frequency: 400 — 6.3 kHz)

Sets the center frequency of the Mid equalizer band.

■ REV1 (Reverb 1) GROUP

● PCM — Mono Pitch Change

PITCH CHANGE 1 makes it possible to produce two independently pitch-shifted output notes in addition to the direct signal, so you can create three-part harmonies with a single input note.



PCA	FINA	DLYA
+4	+8	1300.0

PCB	FINB	DLYB
+5	+8	325.0

PBAL	LPF	FB
A=B	THRU	+30

KEY	MIX	LVL
OFF	50	0

PCA (1st Pitch Shift: -12 — +12)

PCB (2nd Pitch Shift: -12 — +12)

These two parameters set the pitch of the first or second pitch-shifted note between one octave below (-12) and one octave above (+12) the input note.

FINA (1st Fine Tuning: -100 — +100)

FINB (2nd Fine Tuning: -100 — +100)

Permit fine tuning of the first or second pitch-shifted note in 1-cent steps (1 cent is 1/100th of a semitone).

DLYA (1st Delay Time: 0.1 — 1300 ms)

DLYB (2nd Delay Time: 0.1 — 1300 ms)

The DLYA and DLYB parameters determine the time delay between input of the original note and output of the first or second pitch-shifted note.

PBAL (Pitch Balance: A=50 — A=1, A=B, B=1, B=50)

Sets the balance between the 1st and 2nd pitch-shifted notes. a setting of "A=50," for example, produces only the sound of the 1st note. "A=B" produces both notes in equal balance. "A=50" produces only the sound of the 2nd note.

LPF (Low-pass Filter Cutoff Frequency: 1.0kHz — 11kHz, THRU)

Sets the cutoff frequency of the low-pass filter. The "THRU" setting bypasses the filter.

FB (Feedback: -100 — +100%)

When this parameter is set to 0, only a single pitch-shifted sound is produced after the DELAY time has elapsed. As the value of this parameter is increased, however, more and more delayed repeats are produced, each pitch-shifted up or down from the previous repeat according to the settings of the PCA and PCB parameters.

KEY (Base Key: OFF, C1 — C6)

This parameter sets the "base key" for an external MIDI synthesizer used to control the amount of pitch change produced (the MIDI OUT terminal of the synthesizer must be connected to the FX900 MIDI IN terminal, and the FX900 must be set to receive on the MIDI channel on which the synthesizer is transmitting). If, for example, the KEY parameter is set to C4, pressing the C3 key on the synthesizer (C3 is one octave lower than C4) will set the pitch change value to -12. Pressing D4 on the keyboard would produce a pitch increase of one whole-tone (+2).

When two keys are pressed, the highest note determines the pitch of the PCA (or PCL in the PCS program) sound, and the lower note determines the pitch of the PCB (or PCR in the PCS program) sound.

If a key more than one octave higher or lower than the base key is pressed, the resultant pitch change setting will still be within the -12 to +12 range, as shown in the illustration below. If the KEY parameter is set OFF, pitch cannot be controlled via the MIDI IN terminal.

MIX (Mixing: 0 — 100%)

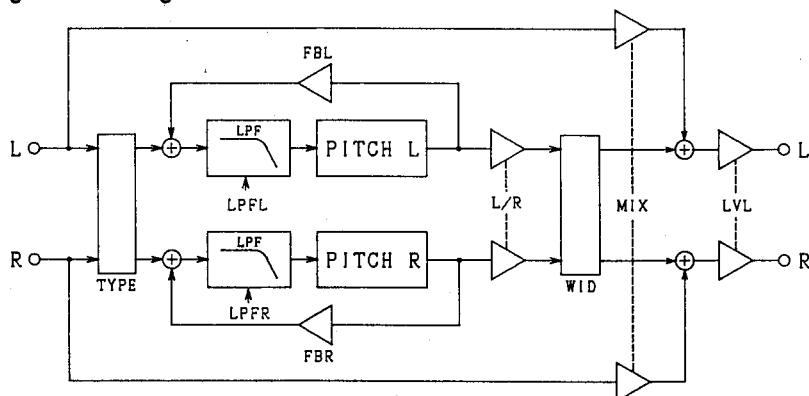
Sets the balance between the direct and pitch-changed sound.

LVL (Output Level: -∞, -30 — +6 dB)

Determines the output level of the PCM effect.

● PCS — Stereo Pitch Change

Like the preceding PCM program, the PCS program produces two pitch-shifted notes, but these can be produced independently for the left- and right-channel signals.



PCL	FINL	DLYL
+4	+8	650.0

PCR	FINR	DLYR
+5	+8	325.0

FBL	LPPFL
+30	THRU

FBR	LPPFR
+30	THRU

TYP	L/R	WID
ST	L=R	10

KEY	MIX	LVL
OFF	50	0

PCL (1st Pitch Shift: -12 — +12)

PCR (2nd Pitch Shift: -12 — +12)

These two parameters set the pitch of the left- (PCL) or right-channel (PCR) pitch-shifted note between one octave below (-12) and one octave above (+12) the input note.

FINL (1st Fine Tuning: -100 — +100)

FINR (2nd Fine Tuning: -100 — +100)

Permit fine tuning of the left- or right-channel pitch-shifted note in 1-cent steps (1 cent is 1/100th of a semitone).

DLYL (1st Delay Time: 0.1 — 650.0ms)

DLYR (2nd Delay Time: 0.1 — 650.0ms)

The DLYA and DLYB parameters determine the time delay between input of the original note and output of the left- or right-channel pitch-shifted note.

FBL (Left Channel Feedback: -100 — +100%)

FBR (Right Channel Feedback: -100 — +100%)

When one of these parameters is set to 0, only a single pitch-shifted sound is produced in the corresponding channel after the DELAY time has elapsed. As the value is increased, however, more and more delayed repeats are produced, each pitch-shifted up or down from the previous repeat according to the settings of the PCL or PCR parameter.

LPPFL (Left Channel Low-pass Frequency: 1.0kHz — 11kHz, THRU)

LPPFR (Right Channel Low-pass Frequency: 1.0kHz — 11kHz, THRU)

Sets the cutoff frequency of the left- or right-channel low-pass filter. The "THRU" setting bypasses the filter.

TYPE (Input Mix Type: ST, MONO)

Determines whether the left- and right-channel input signals will be fed independently to the left- and right-channel processing circuitry (ST), or mixed and then fed to the effect (MONO).

L/R (Left/Right Balance: L50 — L1, L=R, R1 — R50)

Sets the balance between the left- and right-channel pitch-shifted notes. A setting of "L50," for example, produces only the sound of the left-channel note. "L=R" produces both channels in equal balance. "R50" produces only the sound of the right-channel note.

WID (Width: 0 — 100)

Determines the strength of a feeling of "width" between the left and right channels. The lower the value, the more the left- and right-channel pitch-changed notes are mixed, reducing the feeling of stereo width.

KEY (Base Key: OFF, C1 — C6)

This parameter sets the "base key" for an external MIDI synthesizer used to control the amount of pitch change produced. Refer to the previous effect (PCM).

MIX (Mixing: 0 — 100%)

Sets the balance between the direct and pitch-changed sound.

LVL (Output Level: -∞, -30 — +6 dB)

Determines the output level of the PCS effect.

● RV1 — Reverb 1

Reverberation is the warm musical "ambience" you experience when listening to music in a hall or other natural environment.

TYP	RVT	HF
Rhl	2.4	6

DLY	TYP	CutF
100.0	LPF	THRU

MIX	LVL
60	0

TYP (Reverb Type: Rhl, Rrm, Rvc, Rpl)

The FX900 offers several different reverb types, simulating types of reverberation you would experience in a hall (Rhl = Reverb Hall), in a smaller room (Rrm = Reverb Room), a reverb effect ideally suited to vocals (Rvc = Reverb Vocal), and the type of reverberation produced artificially by a plate reverberator (Rpl = Reverb Plate).

RVT (Reverb Time: 0.3 — 40 S)

Sets the amount of time it takes for the reverb sound to decay by 60 dB.

HF (High Frequency Reverb Time Ratio: 1 — 10)

Sets the reverb time of the high frequencies in relation to the overall reverb time. Higher values produce longer high-frequency reverb times, gradually approaching the overall reverb time.

DLY (Delay Time: 0.1 — 335.0 mS)

Sets the delay time before the reverb sound begins.

TYP (Filter Type: HPF, LPF)

Selects the type of filter to be used with the reverb effect: HPF = high-pass filter; LPF = low-pass filter. Please note that whenever the setting of this parameter is changed, the "CutF" parameter, below, is automatically set to "THRU".

CutF (Filter Cutoff Frequency: THRU, 160Hz — 1.0kHz/1.0kHz — 11kHz, THRU)

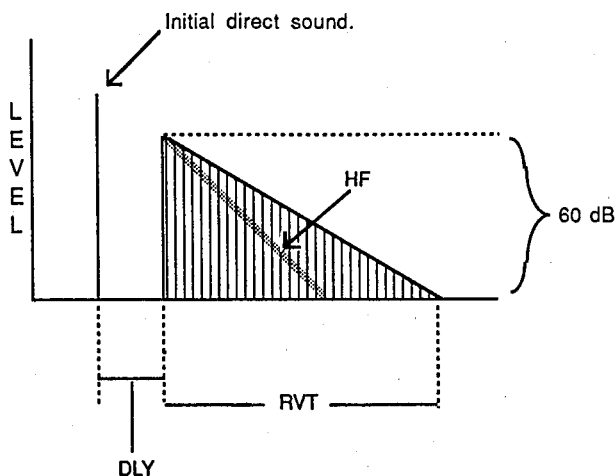
Sets the cutoff frequency of the filter type selected in the preceding parameter (TYP). If the HPF is selected, the range is from 160Hz to 1.0kHz. If the LPF is selected the range is from 1.0kHz to 11kHz. In either case the "THRU" setting bypasses the filter.

MIX (Mixing Balance: 0 — 100 %)

Sets the balance between the direct and effect sound. Higher values produce a greater proportion of effect sound in relation to direct sound.

LVL (Output Level: -∞, -30 — +6dB)

Determines the output level of the RV1 effect.



● ER1 — Early Reflections 1

These effects are created using different groupings of "early reflections" — the first cluster of reflections that occurs after the direct sound but before the dense reflections that are known as reverberation begin.

TYP	RSZ	LIV
Eh1	3.4	4

DLY	HPF	LPF
30.0	THR	THR

MIX	LVL
60	0

TYP (Early Reflection Type: Eh1, Erd, Erv, Epl)

The "Eh1" setting selects a typical grouping of early reflections that would occur in a performing environment such as a hall. "Erd" (Early Reflection Random) produces an irregular series of reflections that could not occur naturally. "Erv" (Early Reflection Reverse) generates a series of reflections that increase in level — like the effect produced by playing a recorded reverberation sound backwards. "Epl" (Early Reflection Plate) produces a typical grouping of reflections that would occur in a plate reverb unit.

RSZ (Room Size: 0.1 — 20)

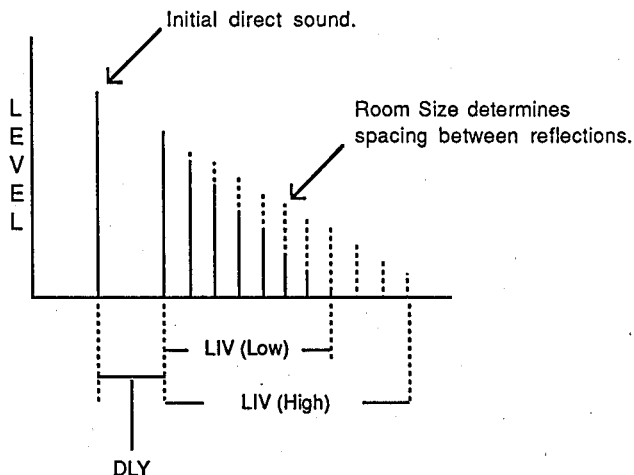
Sets the separation between reflections. The values increment in 0.1 steps from 0 to 10, while values above 10 increment in steps of 1. Higher values produce greater separation between reflections, and therefore the effect of a bigger room.

LIV (Liveness: 0 — 10)

Determines how the early reflections decay. Higher values result in slower decay, producing the effect of a more reflective ("live") room.

DLY (Delay Time: 0.1 — 400.0 mS)

Sets the delay time before the early reflection sound begins.



HPF (High-pass Filter Cutoff Frequency: THRU, 160Hz — 1.0kHz)

Sets the cutoff frequency of the high-pass filter. The "THRU" setting bypasses the filter.

LPF (Low-pass Filter Cutoff Frequency: 1.0kHz — 11kHz, THRU)

Sets the cutoff frequency of the low-pass filter. The "THRU" setting bypasses the filter.

MIX (Mixing Balance: 0 — 100 %)

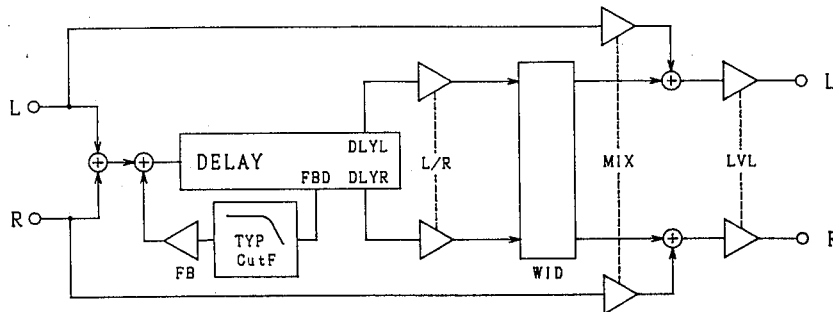
Sets the balance between the direct and effect sound. Higher values produce a greater proportion of effect sound in relation to direct sound.

LVL (Output Level: -∞, -30 — +6dB)

Determines the output level of the ER1 effect.

● DL1 — Mono Delay 1

This sophisticated delay effect offers independently variable left and right channel delays.



DLYL	DLYR
300.0	600.0

FBD	FB
150.0	+10

TYP	CutF	L/R
HPF	THRU	L=R

WID	MIX	LVL
4	60	0

DLYL (Left Channel Delay Time: 0.1 — 740.0 mS)

Sets the delay time of the left channel.

DLYR (Right Channel Delay Time: 0.1 — 740.0 mS)

Sets the delay time of the right channel.

FBD (Feedback Delay Time: 0.1 — 740.0ms)

Sets the delay time before feedback begins. This makes it possible to produce a longer delay before a series of relatively short feedback repeats begins.

FB (Feedback: -100 — +100 %)

Determines the amount of effect-sound feedback returned to the input of the processor. Negative values produce out-of-phase feedback. Higher values produce a greater number of repeats.

TYP (Feedback Filter Type: HPF, LPF)

Selects the type of feedback filter to be used with the Mono Delay effect: HPF = high-pass filter; LPF = low-pass filter. Please note that whenever the setting of this parameter is changed, the "CutF" parameter, below, is automatically set to "THRU".

CutF (Filter Cutoff Frequency: THRU, 160Hz — 1.0kHz/1.0kHz — 11kHz, THRU)

Sets the cutoff frequency of the filter type selected in the preceding parameter (TYP). If the HPF is selected, the range is from 160Hz to 1.0kHz. If the LPF is selected the range is from 1.0kHz to 11kHz. In either case the "THRU" setting bypasses the filter.

L/R (Left/Right Delay Balance: L50 — L1, L=R, R1 — R50)

Sets the balance between the left- and right-channel delay sound. A setting of "L50," for example, produces only the sound of the left-channel delay. "L=R" produces both channels in equal balance. "R50" produces only the sound of the right-channel delay.

MIX (Mixing Balance: 0 — 100%)

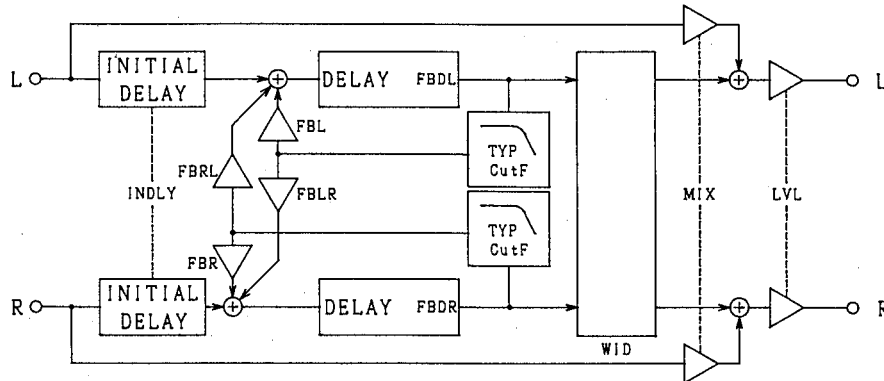
Sets the balance between the direct and effect sound. Higher values produce a greater proportion of effect sound in relation to direct sound.

LVL (Output Level: -∞, -30 — +6dB)

Determines the output level of the DL1 effect.

● EC1 — Echo (Stereo Delay) 1

Although similar to the Mono Delay 1 program, the Echo (Stereo Delay) program features independent feedback settings for the left and right channels.



FBDL	FBDR	TYP
180.0	90.0	LPF

CutF	FBL	FBR
THRU	+20	+20

FBRL	FBRL	INDLY
-30	+30	0.0

WID	MIX	LVL
10	60	0

FBDL (Left Channel Feedback Delay Time: 0.1 — 270.0ms)

FBDR (Right Channel Feedback Delay Time: 0.1 — 270.0ms)

These parameters independently set the delay time before feedback begins for the left and right channels.

TYP (Feedback Filter Type: HPF, LPF)

Selects the type of feedback filter to be used with the Echo (Stereo Delay) effect: HPF = high-pass filter; LPF = low-pass filter. Please note that whenever the setting of this parameter is changed, the "CutF" parameter, below, is automatically set to "THRU".

CutF (Filter Cutoff Frequency: THRU, 160Hz — 1.0kHz/1.0kHz — 11kHz, THRU)

Sets the cutoff frequency of the filter type selected in the preceding parameter (TYP). If the HPF is selected, the range is from 160Hz to 1.0kHz. If the LPF is selected the range is from 1.0kHz to 11kHz. In either case the "THRU" setting bypasses the filter.

FBL (Left Channel Feedback: -100 — +100 %)

FBR (Right Channel Feedback: -100 — +100 %)

Determine the amount of effect-sound feedback returned to the input of the left- or right-channel processor. Negative values produce out-of-phase feedback. Higher values produce a greater number of repeats.

FBLR (Left Channel Cross Feedback: -100 — +100%)

FBRL (Right Channel Cross Feedback: -100 — +100%)

The FBLR parameter determines the amount of effect-sound feedback from the left channel returned to the input of the right-channel processor. The FBRL parameter works in the opposite direction — right-channel output to left-channel input.

INDLY (Initial Delay Time: 0.0 — 100ms)

Sets the delay before the first repeat.

MIX (Mixing Balance: 0 — 100%)

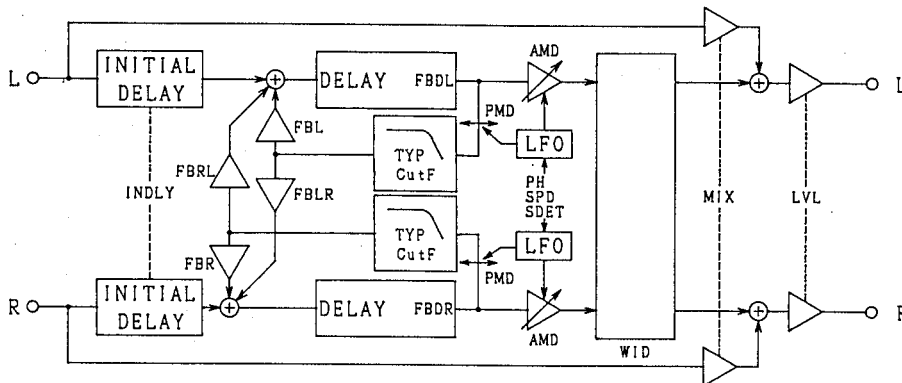
Sets the balance between the direct and effect sound. Higher values produce a greater proportion of effect sound in relation to direct sound.

LVL (Output Level: -∞, -30 — +6dB)

Determines the output level of the EC1 effect.

● MD1 — Modulation Delay 1

This effect uses delay modulation to create a range of pitch and amplitude modulated sounds.



FBDL	FBDR	TYP
180.0	90.0	LPF

CutF	FBL	FBR
THRU	+20	+20

FBLR	FBRL	INDLY
-30	+30	0.0

SPD	SDET
0.6	+6

PMD	AMD	PH
+90	+64	NOR

WID	MIX	LVL
8	60	0

FBDL (Left Channel Feedback Delay Time: 0.1 — 270.0ms)

FBDR (Right Channel Feedback Delay Time: 0.1 — 270.0ms)

These parameters independently set the delay time before feedback begins for the left and right channels.

TYP (Feedback Filter Type: HPF, LPF)

Selects the type of feedback filter to be used with the Echo (Stereo Delay) effect: HPF = high-pass filter; LPF = low-pass filter. Please note that whenever the setting of this parameter is changed, the "CutF" parameter, below, is automatically set to "THRU".

CutF (Filter Cutoff Frequency: THRU, 160Hz — 1.0kHz/1.0kHz — 11kHz, THRU)

Sets the cutoff frequency of the filter type selected in the preceding parameter (TYP). If the HPF is selected, the range is from 160Hz to 1.0kHz. If the LPF is selected the range is from 1.0kHz to 11kHz. In either case the "THRU" setting bypasses the filter.

FBL (Left Channel Feedback: -100 — +100 %)

FBR (Right Channel Feedback: -100 — +100 %)

Determine the amount of effect-sound feedback returned to the input of the left- or right-channel processor. Negative values produce out-of-phase feedback. Higher values produce a greater number of repeats.

FBRL (Left Channel Cross Feedback: -100 — +100%)

FBDR (Right Channel Cross Feedback: -100 — +100%)

The FBDR parameter determines the amount of effect-sound feedback from the left channel returned to the input of the right-channel processor. The FBRL parameter works in the opposite direction — right-channel output to left-channel input.

INDLY (Initial Delay Time: 0.0 — 100ms)

Sets the delay before the first repeat.

SPD (Modulation Speed: 0.1 — 20Hz)

Sets the speed of delay modulation.

SDET (Modulation Speed Detune: -20 — +20)

This parameter makes it possible to "detune" the modulation speed of one channel with respect to the other. More positive settings increase the speed of the left-channel modulation, while more negative settings have the opposite effect. A setting of "0" produces the same modulation speed from both channels.

PMD (Pitch Modulation Depth: -100 — +100)

Sets the depth of pitch modulation (vibrato) produced.

AMD (Amplitude Modulation Depth: -100 — +100)

Sets the depth of amplitude modulation (tremolo) produced.

PH (Left/Right Channel Phase: NOR, INV)

Sets the phase of the left and right-channel LFO signals to normal (NOR: both channels have the same phase), or inverse (INV: channels out of phase). If the "INV" setting is selected and fairly deep amplitude modulation is applied via the AMD parameter, an auto-pan effect is produced.

WID (Width: 0 — 10)

Determines the strength of a feeling of "width" between the left and right channels. The lower the value, the more the left- and right-channel sound is mixed, reducing the feeling of stereo width.

MIX (Mixing Balance: 0 — 100%)

Sets the balance between the direct and effect sound. Higher values produce a greater proportion of effect sound in relation to direct sound.

LVL (Output Level: $-\infty$, -30 — +6dB)

Determines the output level of the MD1 effect.

● MT1 — Multi Tap Delay 1

This is a multi-tap delay effect in which the time, stereo position, and level of up to 6 separate delays can be individually programmed.

1	DLY	PAN	LVL
	200.0	L50	+100

2	DLY	PAN	LVL
	400.0	R50	+100

3	DLY	PAN	LVL
	600.0	L50	+100

4	DLY	PAN	LVL
	800.0	R50	+100

5	DLY	PAN	LVL
	1000.0	L50	+100

6	DLY	PAN	LVL
	1200.0	L50	+100

INDLY	HPF	LPF
200.0	THRU	7.0k

MIX	LVL
100	0

HPF (High-pass Filter Cutoff Frequency: THRU, 160Hz — 1.0kHz)

Sets the cutoff frequency of the high-pass filter. The "THRU" setting bypasses the filter.

LPF (Low-pass Filter Cutoff Frequency: 1.0kHz — 11kHz, THRU)

Sets the cutoff frequency of the low-pass filter. The "THRU" setting bypasses the filter.

MIX (Mixing Balance: 0 — 100%)

Sets the balance between the direct and effect sound. Higher values produce a greater proportion of effect sound in relation to direct sound.

LVL (Output Level: ∞, -30 — +6dB)

Determines the output level of the MT1 effect.

DLY1 (Tap Delay Time 1: 0.1 — 1300.0ms)

The first delay time.

PAN1 (Tap Delay Pan 1: L50 — L1, L=R, R1 — R50)

Sets the stereo position of the first delay. A setting of "L50" positions the sound all the way to the left; "L=R" positions the delay sound at the center; and "R50": positions the sound all the way to the right.

LVL1 (Tap Delay Level 1: -100 — +100%)

The output level of the first delay sound. Minus values produce a reverse-phase delay sound.

* Identical parameters to the above are provided for delays 2 through 6.

INDLY (Initial Delay Time: 0.0 — 100ms)

Delays the entire set of 6 delays by the specified time.

■ MOD (Modulation) GROUP

● CHO — Chorus

The chorus effect combines delay time and amplitude modulation to effectively thicken and add warmth to the sound.

SPD	PMD	AMD
0.6	50	40

MIX	LVL
50	0

SPD (Modulation Speed: 0.1 — 20.0 Hz)

Sets the speed of modulation and therefore the rate of effect variation.

PMD (Pitch Modulation Depth: 0 — 100 %)

Sets the depth of delay time modulation. Higher values deepen the pitch modulation portion of the effect.

AMD (Amplitude Modulation Depth: 0 — 100 %)

Sets the depth of amplitude modulation. Higher values deepen the amplitude modulation portion of the effect.

MIX (Mixing Balance: 0 — 100 %)

Sets the balance between the direct and effect sound. Higher values produce a greater proportion of effect sound in relation to direct sound.

LVL (Output Level: -∞, -30 — +6dB)

Determines the output level of the CHO effect.

● FLG — Flanger

Flanging is a fairly pronounced effect based primarily on delay time modulation. By adjusting the various parameters you should be able to create an extremely broad range of sounds, from gentle shimmering to wild sweeps.

SPD	DEP
4.0	60

DLY	FB
8.0	52

MIX	LVL
90	0

SPD (Modulation Speed: 0.1 — 20.0Hz)

Sets the speed of modulation and therefore the rate of effect variation.

DEP (Depth: 0 — 100%)

Sets the depth of modulation. Higher values produce deeper modulation.

DLY (Delay Time: 0.2 — 15.0mS)

Sets the delay time. Delay times shorter than 1 msec produce the greatest effect in the high-frequency range, while with delay times from 1 to 3 ms the effect extends to the middle frequencies.

FB (Feedback: 0 — 100%)

Determines the amount of effect-sound feedback returned to the input of the processor. Higher values produce a more pronounced effect.

MIX (Mixing Balance: 0 — 100 %)

Sets the balance between the direct and effect sound. Higher values produce a greater proportion of effect sound in relation to direct sound.

LVL (Output Level: -∞, -30 — +6dB)

Determines the output level of the FLG effect.

● SYM — Symphonic

Symphonic is a broad, sweeping effect that adds a sense of scale to the sound.

SPD DEP 0.9 90

MIX LVL 90 0

SPD (Modulation Speed: 0.1 — 20.0 Hz)

Sets the speed of modulation and therefore the rate of effect variation.

DEP (Depth: 0 — 100 %)

Sets the depth of modulation. Higher values produce deeper modulation.

MMIX (Mixing Balance: 0 — 100 %)

Sets the balance between the direct and effect sound. Higher values produce a greater proportion of effect sound in relation to direct sound.

LVL (Output Level: -∞, -30 — +6dB)

Determines the output level of the SYM effect.

● TRM — Tremolo

The tremolo effect uses amplitude modulation to produce a periodic volume variation. The FX900 tremolo effect additionally offers a phase parameter which can be used to create a periodic "panning" effect in which the sound appears to move across the stereo sound field.

SPD DEP PH 3.8 100 0

MIX LVL 90 0

SPD (Modulation Speed: 0.1 — 20.0 Hz)

Sets the speed of modulation and therefore the rate of effect variation.

DEP (Depth: 0 — 100 %)

Sets the depth of modulation. Higher values produce deeper modulation.

PH (Phase: -8 — +8)

Sets the direction in which the sound image moves in the stereo sound field. A setting of 0 produces no movement, while settings toward +8 or -8 cause the sound image to move to the left or right.

MIX (Mixing Balance: 0 — 100 %)

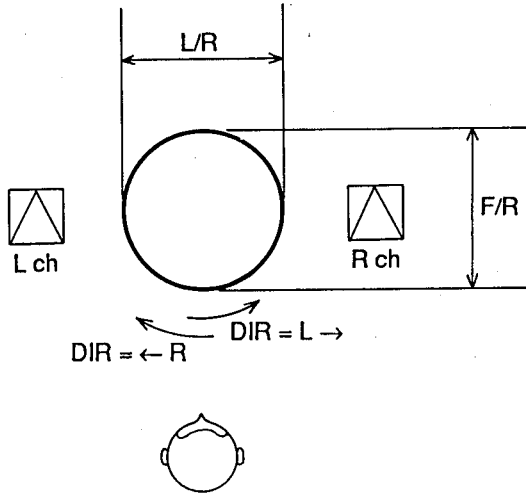
Sets the balance between the direct and effect sound. Higher values produce a greater proportion of effect sound in relation to direct sound.

LVL (Output Level: -∞, -30 — +6dB)

Determines the output level of the TRM effect.

● PAN — Round Pan

This is a very sophisticated pan program that allows creation of "rotary" pan in addition to straightforward pan effects.



```
SPD L/R F/R
0.9 100 90
```

```
DIR MIX LVL
L → 90 0
```

SPD (Pan Speed: 0.1 — 20Hz)

Sets the speed of the PAN effect (i.e. how rapidly the signal sweeps from channel to channel).

L/R (Left/Right Depth: 0 — 100%)

Sets the "depth" of the pan sweep from left to right and right to left.

F/R (Front/Rear Depth: 0 — 100%)

This parameter sets the apparent depth of the sweep from front to rear.

DIR (Pan Direction: L → R, L ← R)

Determines the direction in which the sound sweeps across the stereo sound field.

MIX (Mixing Balance: 0 — 100 %)

Sets the balance between the direct and effect sound. Higher values produce a greater proportion of effect sound in relation to direct sound.

LVL (Output Level: -∞, -30 — +0dB)

Determines the output level of the PAN effect.

■ REV2 (Reverb 2) GROUP

● RV2 — Reverb 2

Same effect and parameters as RV1. Refer to page 31.

● ER2 — Early Refections 2

Same effect and parameters as ER1. Refer to page 32.

● DL2 — Mono Delay 2

Same effect and parameters as DL1, except that the range of the DLYL and DLYR parameters is 0.1 — 740.0ms. Refer to page 33.

● EC2 — Echo (Stereo Delay) 2

Same effect and parameters as EC1 except that the range of the FBBD and FBDR parameters is 0.1 — 270.0ms. Refer to page 34.

● MT2 — Multi Tap Delay 2

Same effect and parameters as MT1 except that the range of the DLY parameter is 0.1 — 640.0ms. Refer to page 37.

● R+D — Reverb + Delay

This effect functions like separate reverb and delay processors connected in parallel.

DLYL	DLYR
100.0	200.0

FBD	FB L/R
150.0	+10 R10

RVT	HF
2.4	6

R/D	MIX	LVL
L8	60	0

DLYL (Left Channel Delay Time: 0.1 — 380.0 mS)

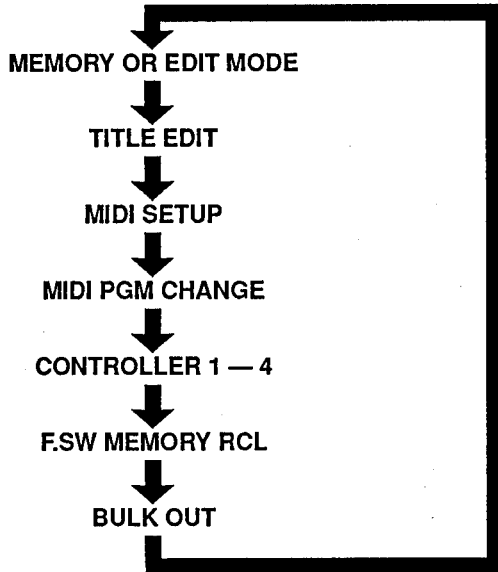
Sets the delay time of the left channel.

DLYR (Right Channel Delay Time: 0.1 — 380.0 mS)

Sets the delay time of the right channel.

8. The Utility Mode

The UTILITY mode allows access to a number of utility functions including USER area program title editing, memory location number to MIDI program change number assignment, external controller assignments, and footswitch memory recall range programming. The UTILITY mode is activated by pressing the [UTILITY] key. Each press on the [UTILITY] key calls a different UTILITY function, as shown below:



The mode that was active before the [UTILITY] key was pressed (MEMORY or EDIT) is selected following the last function on the utility list. The UTILITY mode can also be exited by pressing and holding the [UTILITY] key until the [UTILITY] key indicator goes out (about one second).

■ TITLE EDIT

The Title Edit function allows you to create original titles for your effect programs, for easy identification. When Program Title Edit is called the LCD will appear something like the example below — the memory title will appear on the upper line. Use the cursor [◀] and [▶] keys to move the cursor to the desired character location, then use the [DATA ENTRY] control or [▲] and [▼] keys to change the character at the cursor location. The [STORE] key can be used to place a space at the cursor position. Continue until the new title is complete.

Fullrange Dist.
TITLE EDIT

The characters accessible via the [DATA ENTRY] control or [▲] and [▼] keys are shown in the chart below, in their proper order.

Initial (pre-edit) space & space produced by pressing STORE key.

[]	<	>	:	.	*	+	-	=	&	/	,	.	'	%	!	?	→	←																
#	0	1	2	3	4	5	6	7	8	9	A	B	C	D	E	F	G	H																
I	J	K	L	M	N	O	P	Q	R	S	T	U	V	W	X	Y	Z	a	ä															
b	c	d	e	f	g	h	i	j	k	l	m	n	o	ö	p	q	r	s	t	u														
ü	v	w	x	y	z	ア	イ	ウ	エ	オ	カ	キ	ク	ケ	コ	サ	シ	ス	セ	ソ	タ	チ	ツ	テ	ト	ナ	ニ	ヌ	ネ	ノ	ハ	ヒ	フ	ヘ
ホ	マ	ミ	ム	メ	モ	ヤ	ユ	ヨ	ラ	リ	ル	レ	ロ	ワ	ヲ	ン	ー																	

A newly created program title is automatically stored with the corresponding program when the Title Edit mode is exited.

NOTE: The TITLE EDIT function can only be used when one of the FX900 USER memory locations (0 through 99) are selected. If you call the TITLE EDIT function while a PRESET memory location (0 through 99) is selected, the following display will appear and editing will not be possible.

USER MEMORY ONLY
TITLE EDIT

■ MIDI Program Selection: MIDI SETUP and MIDI PGM CHANGE

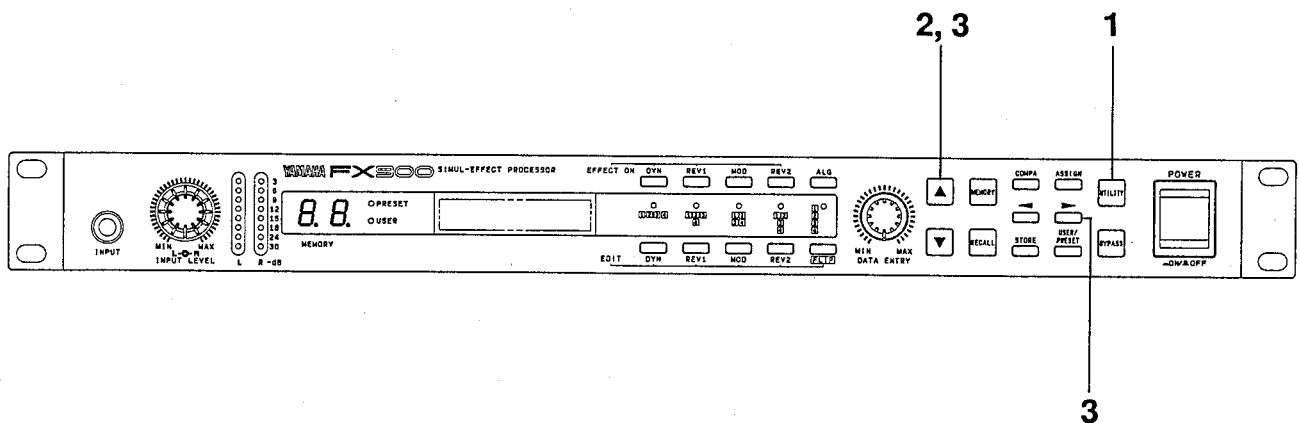
The FX900 makes it possible to select specific programs via external MIDI control. You can set up the FX900, for example, so that when you select a voice on a synthesizer the most appropriate effect for that voice is automatically selected. This is accomplished because each time you select a voice on your MIDI synthesizer it transmits the corresponding MIDI PROGRAM CHANGE NUMBER. The FX900 receives this PROGRAM CHANGE NUMBER and selects the effect program that you have assigned to it using the Program Change Table Edit function which will be described below. A more convenient idea for guitarists or bassists would be to use a MIDI foot controller such as the Yamaha MFC05 to transmit the required MIDI PROGRAM CHANGE NUMBERS. The FX900 actually can be programmed with four completely independent sets of MIDI PROGRAM CHANGE NUMBER/MEMORY NUMBER assignments. Each of these is contained in a different "bank": A, B, C or D. Each BANK may also be programmed to receive on a different MIDI channel. The four banks may be programmed with different receive channels using the Program Change Bank Edit function described below.

NOTE: The selected program change assignment table also determines which effect program is selected when the optional FC900 Foot Controller is used.

NOTE: A small letter "M" will appear to the right of the lower display line when MIDI data is received in the MEMORY mode.

● MIDI SETUP

This function makes it possible to select any of the four available program change table BANKs, and to change the MIDI receive and transmit channel for each BANK.



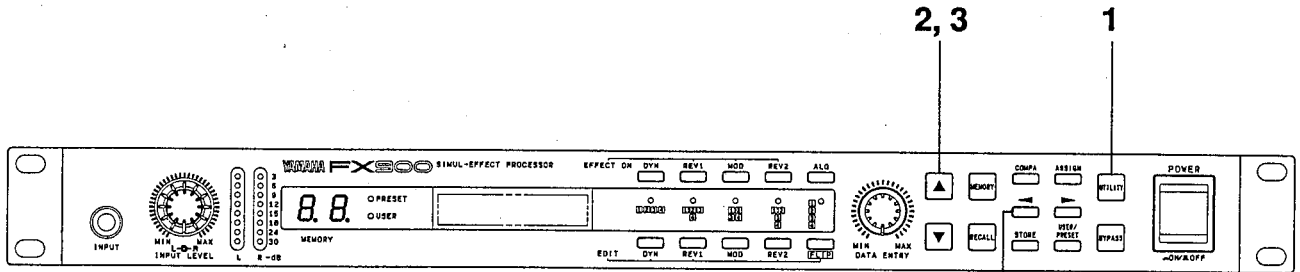
1. Use the [UTILITY] key to select the MIDI SETUP display.

```
MIDI SET UP
BANK: A ch=OMNI
```

2. The underline cursor should be under the BANK parameter. Use the [DATA ENTRY] control or [▲] and [▼] keys to select the bank you wish to program (A, B, C or D).
3. Move the cursor to the "ch=" parameter by pressing the [◀] key, then use the [DATA ENTRY] control or [▲] and [▼] keys to set the receive/transmit MIDI channel (1 — 16), the OMNI mode (all channels can be received, transmission on channel 1), or turn MIDI reception OFF for the selected bank. The underline cursor can be moved back to the BANK parameter if necessary by pressing the [▶] key.

● MIDI PGM CHANGE

When this function is called the LCD will appear as shown below, and it becomes possible to assign new memory location numbers to each MIDI or FC900 program change number.



1. Use the [UTILITY] key to select the MIDI PGM CHANGE display. The underline cursor should be under the PGM parameter.

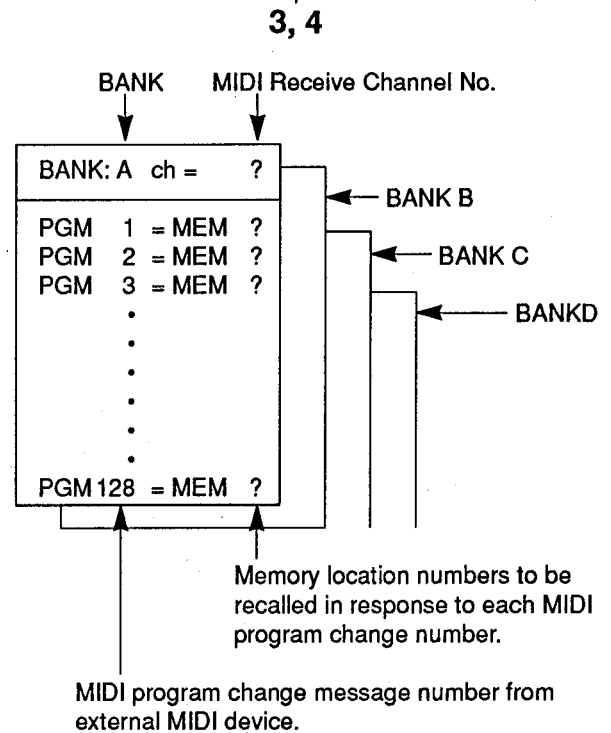
MIDI PGM CHANGE
PGM 1 = MEM U01

2. Use the [DATA ENTRY] control or [▲] and [▼] keys to select the program change number to which a new FX900 memory location number is to be assigned. The range of available program change numbers is from 1 to 128.
3. Move the underline cursor to the MEM parameter by pressing the [◀] key. Use the [DATA ENTRY] control or [▲] and [▼] keys to select the memory location number containing the effect which is to be assigned to the currently selected program change number. U00 through U99 are the 100 USER memory locations, and P00 through P99 are the 100 PRESET memory locations.

NOTE: If this parameter is set to "MEM ---", no program change will occur when the corresponding program change number is received. If this parameter is set to "MEM ---" by pressing the [STORE] key while the cursor is located under the "MEM" parameter, no program change will occur when the corresponding program change number is received.

4. Move the underline cursor back to the PGM parameter by pressing the [◀] key and repeat the above steps to assign as many program change numbers as necessary.

NOTE: The program number/memory number assignments made are stored in the BANK selected in the preceding MIDI SETUP function. To program the program change/memory number assignments for a different BANK, return to the MIDI SETUP display, select the desired BANK, then program the required assignments.

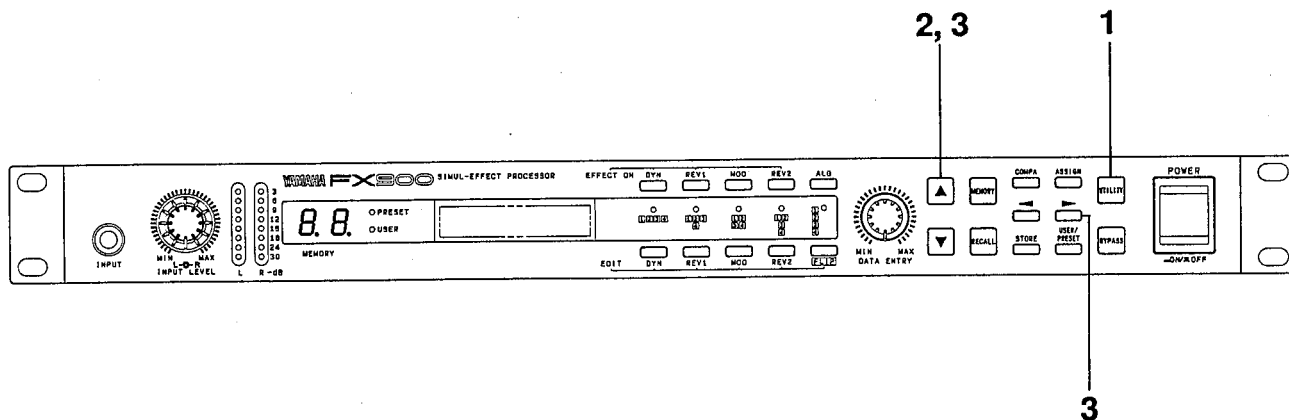


External Parameter Control: CONTROLLER 1 through CONTROLLER 4

The FX900 allows up to four external "controllers" to be assigned for remote real-time control of effect parameters. The external controllers can be FC7 foot controllers plugged into the rear-panel FOOT VOL 1 or 2 jacks, FC7 foot controllers plugged into the FOOT CONTROL 1 or 2 jacks of the optional FC900 Foot Controller (see the FC900 operation manual for details), or MIDI controller messages consisting of MIDI control change numbers between 0 and 95. Some of the MIDI numbers are assigned to specific controllers — modulation wheel, data entry, etc — and a MIDI device such as a keyboard that has any of these controllers will transmit the corresponding MIDI control change data when the controllers are operated. You could, for example, assign a keyboard modulation wheel to control the FX900 reverb time.

In order to use this kind of setup, the four "controllers" that the FX900 allows — CONTROLLER 1, CONTROLLER 2, CONTROLLER 3, and CONTROLLER 4 — must be set to respond to the appropriate foot controller or receive specific MIDI CONTROL CHANGE data (i.e. receive data from a specific MIDI controller) using the CONTROLLER functions described below.

Basic Controller Assignments



1. Use the [UTILITY] key to select the CONTROLLER display. The LCD should appear as shown below, with the cursor under the CONTROLLER number.

CONTROLLER 1
OFF

2. Use the [DATA ENTRY] control or [▲] and [▼] keys to select CONTROLLER 1, 2, 3, or 4.
3. Move the cursor to the lower line of the display by pressing the cursor [▶] key, and then use the [DATA ENTRY] control or [▲] and [▼] keys to select the desired foot controller or MIDI control change number for the selected controller (1 through 4). When the cursor is on the lower display line, the selected controller can be turned OFF by pressing the [STORE] key.

The following settings and associated controllers (or none if no controller is specifically assigned) can be selected:

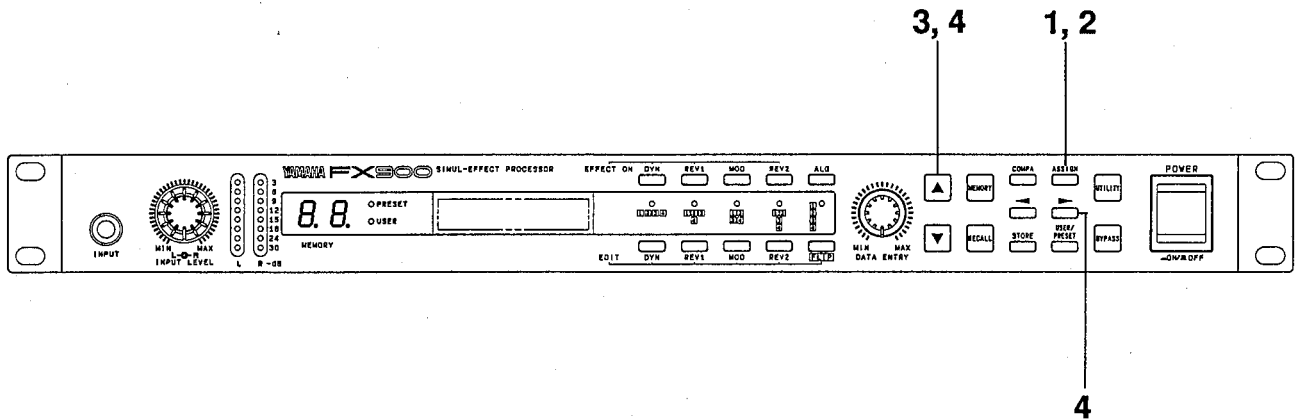
Control Change Number	Controller Assignment
OFF	Controller OFF
FOOT VOL 1	FC7 connected to rear-panel FOOT VOL 1 jack.
FOOT VOL 2	FC7 connected to rear-panel FOOT VOL 2 jack.
FC900 VOL 1	FC7 connected to external FC900 FOOT VOL 1 jack.
FC900 VOL 2	FC7 connected to external FC900 FOOT VOL 2 jack.
1	MOD. WHEEL
2	BREATH CTRL
3	No specific controller assigned.
4	FOOT CTRL
5	PORT TIME
6	DATA ENTRY
7	MAIN VOLUME
8	BAL CTRL
9	No specific controller assigned.
10	PAN CTRL
11	EXP. CTRL
12 — 31	No specific controller assigned.
64	SUST. PEDAL
65	PORTAMENTO
66	SOSTENUTO
67	SOFT PEDAL
68	No specific controller assigned.
69	HOLD 2
70 — 95	No specific controller assigned.

Three other control sources which are not directly associated with MIDI control change numbers can also be selected: KEY NOTE (MIDI note number data), KEY VEL. (key velocity, an integral part of MIDI NOTE ON data), and CH PRESSURE (channel pressure).

NOTE: Several controllers can be assigned to the same external control. For example, the FOOT VOL 1 controller could be assigned to CONTROLLER 1, 2, and 3. These three controllers could then be assigned to control the volume of the DYN, REV1, and MOD effect groups, as described in the following section. With this setup you could control the overall volume of your effect program, while leaving the final reverb unaffected.

● Assigning CONTROLLER 1 through CONTROLLER 4 to Specific Effects

Once the MIDI controllers you wish to use have been selected using the CONTROLLER 1—4 functions described above, you can then assign the controllers to the specific FX900 effect parameters. Control assignment is carried out in the MEMORY or EDIT mode.



1. After exiting the UTILITY mode (either scroll past the end of the UTILITY function list or hold the [UTILITY] button until it goes out), press the [ASSIGN] key.

CTRL1	MIN-MAX
Mbd:LVL	1 100

2. Select CONTROLLER 1, 2, 3, or 4 by repeatedly pressing the [ASSIGN] key.
3. The cursor will initially appear under the currently selected parameter. Use the [DATA ENTRY] control or [▲] and [▼] keys to select the parameter you wish to control. All parameters for the currently selected effects are available — except for the few listed below.* "Cde:THR", for example, refers to the compressor threshold level parameter. Cde:LPF is the distortion low-pass filter frequency parameter, etc. The individual parameters are described in detail in the "7. The Effects and their Parameters" section beginning on page 19. In addition to the standard effect parameters, the following parameters are available:

* Parameters Not Available for External Control

WAH: FRQ	PCS: PCL
WAH: CTR	PCS: PCR
CDW: FRQ	PCM: KEY
CDW: CTR	PCM: PCA
PCS: KEY	PCM: PCB

- DYN:VOL, MOD:VOL, RV1:VOL and RV2:VOL — these set the controller to a control the volume of the corresponding effect group.

4. Use the cursor [◀] and [▶] keys to move the cursor to the MIN and then to the MAX position, using the [DATA ENTRY] control or [▲] and [▼] keys at each position to set the desired control range. Both MIN and MAX have a possible value range of 0 to 100%. For example, if the original range for Cde:LVL is -42 to 6 (dB), then setting MIN and MAX to 10 and 90 (%), respectively, produces a control range from -38 to -5 (dB).
5. Repeat steps 2 through 4 above to assign parameters to the remaining controllers as required.
6. When finished with controller assignment, press the [MEMORY] key or an EDIT key to return to the desired mode.

NOTE: The parameter assigned to one CONTROLLER cannot simultaneously be assigned to another.

■ F.SW MEMORY RCL

The FX900 permits memory selection via an optional Yamaha FC4 or FC5 footswitch connected to the MEMORY INC/DEC footswitch jack. The F.SW MEMORY RCL function permits setting the range of memory location numbers that will be selected when the footswitch is pressed.

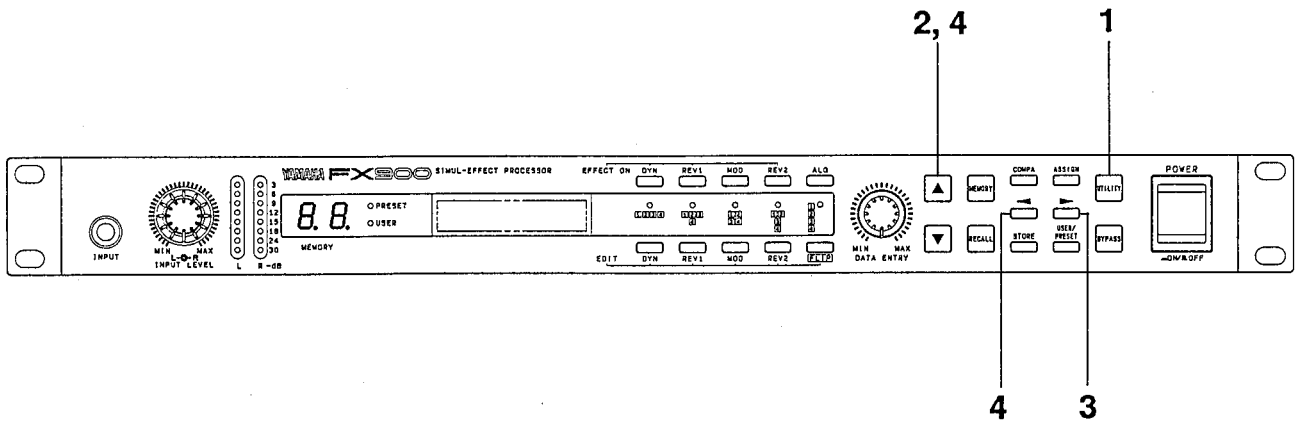
F.SW MEMORY RCL
RANGE U31 TO U34

If, for example, the RANGE parameter is set to "U31 TO U34" as shown in the LCD illustration above, each time the footswitch is pressed the next highest memory location will be selected until the last number in the specified range is

reached. After the last number in the specified range, the first (lowest) number is selected and the process repeated. Reverse sequences can be programmed by entering the highest number in the range before the lowest, as shown below.

F.SW MEMORY RCL
RANGE U34 TO U31

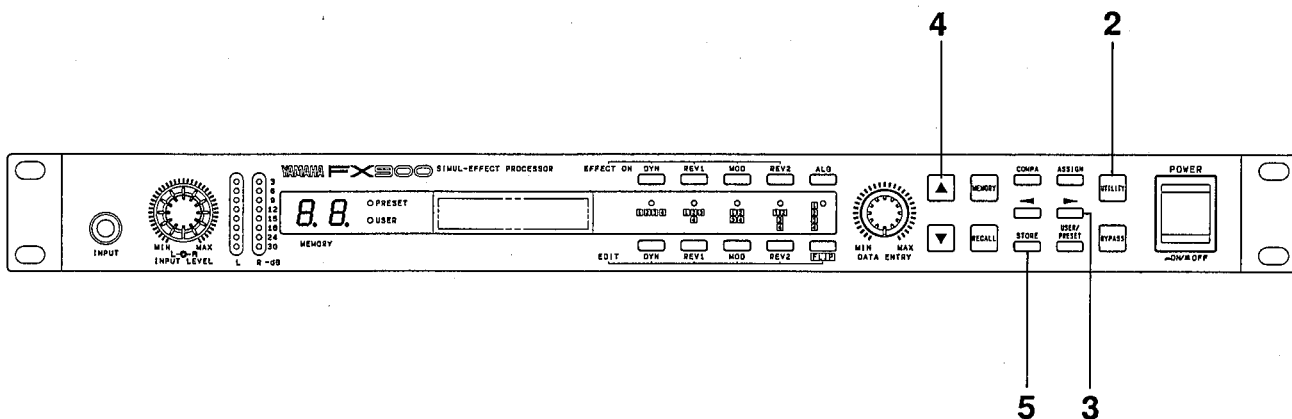
In this case the selection sequence is: U34 → U33 → U32 → U31 → U34, etc.



1. Use the [UTILITY] key to call the F.SW MEMORY RCL display. The underline cursor should be located under the first memory number in the range.
2. Use the [DATA ENTRY] control or [▲] and [▼] keys to enter the first number in the range.
3. Press the cursor [▶] key to move the cursor to the second number in the range.
4. Use the [DATA ENTRY] control or [▲] and [▼] keys to enter the second number in the range. The cursor [◀] key can be used to return to the first number in the range if necessary.

■ BULK OUT

When this function is called the LCD will appear as shown below, and it becomes possible to execute a bulk data dump of a single memory location (MEM), the system setup data (SYS), the program change assignment table of a single bank (BNK), or all of the above (ALL) via the MIDI THRU/OUT connector.



1. Make sure that the rear-panel MIDI THRU-OUT switch is set to the "OUT" position.
2. Use the [UTILITY] key to select the BULK OUT display. The underline cursor should be under the ALL parameter.

NOTE: Refer to the MIDI DATA FORMAT section beginning on page 160 for more details about the bulk dump data.

NOTE: "** MIDI RECEIVE" will appear on the upper display line during bulk data reception.

```
BULK OUT ALL SYS
MEM: * BNK:*
```

3. Use the cursor [◀] and [▶] keys to select the type of data you want to transmit:
 - ALL = All program, system setup, and program change table data.
 - SYS = System setup data (i.e. current utility settings, etc).
 - MEM = The data for the specified memory location.
 - BNK = The program change table data of the specified bank.
4. If you select either MEM or BNK, use the [DATA ENTRY] control or [▲] and [▼] keys to select the memory location number (PRESET locations P00 — P99, USER locations U00 — U99) or bank (A, B, C, or D) corresponding to the data you want to transmit.
5. Press the [STORE] key to execute the bulk dump operation. A display similar to the following will appear while the data is being transmitted.

```
BULK OUT
** BULK OUT BANK
```

The initial BULK OUT display will reappear when transmission has finished.

9. Specifications

• ANALOG CIRCUITRY

Frequency Response

20 Hz — 20 kHz.

Dynamic Range

Better than 90 dB, effect OFF.

Total Harmonic Distortion

Less than 0.03% @ 1 kHz, effect OFF.

• INPUTS

Channels

Stereo (2) or Mono (1).

Type

Unbalanced.

Nominal Level

+4/-20 dB, switchable.

Impedance

10k/1M Ω , switchable.

Connectors

Phone jacks, front and rear.

• OUTPUTS

Channels

Stereo (2).

Type

Unbalanced

Nominal Level

+4/-20 dB, switchable.

Impedance

220 Ω .

Connectors

Phone jacks.

Headphone Impedance/Nominal Level

150 ohms/-22 dBm (Unbalanced stereo phone jack).

• DIGITAL CIRCUITRY

A/D Converters

2-channel 16-bit quantization (64-times oversampling delta-sigma conversion).

D/A Converters

2-channel 18-bit quantization (8-times oversampling).

Sampling Frequency

44.1 kHz.

• MEMORY & EFFECTS

Memory

ROM (PRESET) area: 0 — 99

RAM (USER) area: 0 — 99

Effects

DYN (Dynamic Group)

CDE	Compressor/distortion/equalizer
CMP	Dual compressor*
ENH	Dual enhancer
WAH	Stereo wah*
PEQ	Dual parametric equalizer
MBD	Multi-band distortion
CDW	Compressor/distortion/equalizer/wah
DST	Stereo distortion/equalizer

REV1 (Reverb 1 Group)

PCM	Mono pitch change
PCS	Stereo pitch change
RV1	Reverb 1
ER1	Early reflections 1
DL1	Mono delay 1
EC1	Echo (stereo delay) 1
MD1	Modulation delay 1
MT1	Multi tap delay 1

MOD (Modulation Group)

CHO	Chorus
FLG	Flanger
SYM	Symphonic
TRM	Tremolo
PAN	Round pan

REV2 (Reverb 2 Group)

RV2	Reverb 2
ER2	Early reflections 2
DL2	Mono delay 2
EC2	Echo (stereo delay) 2
MT2	Multi tap delay 2
R+D	Reverb + delay

• DISPLAYS & CONNECTORS

Displays

8-element input level indicators, left & right.

7-segment 2-digit memory number LED.

Backlit LCD with 16-character x 2-line display area.

PRESET and USER memory area indicators.

5 algorithm type indicators.

Connectors

INPUT (front panel).

INPUT R and L/MONO with 10k/1M Ω impedance and +4/-20dB level switches.

OUTPUT R and L with +4/-20dB level switch.

FOOT VOL 1 and 2.

MEMORY INC/DEC FOOT SW.

BYPASS FOOT SW.

MIDI and MIDI THRU/OUT with THRU/OUT switch.

• GENERAL

Power Supply

U.S. & Canadian Models: 120 V AC, 60 Hz, 35 watts.

General Model: 220/240 V AC, 50/60 Hz, 35 watts.

Dimensions (W x H x D)

480 x 44 x 314.8 mm (18-7/8" x 1-3/4" x 12-3/8")

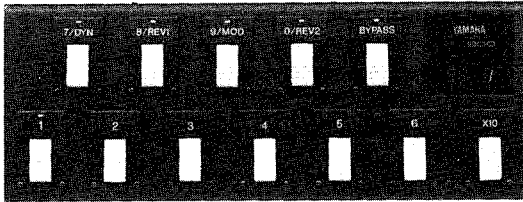
Weight

4.8 kg (10.6 lbs. approx.)

Options

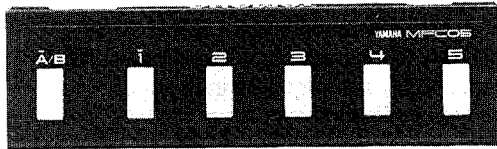
FC900 Foot Controller

Designed specifically for use with the FX900, the FC900 allows foot controlled effect group ON/OFF switching, program selection, bypass switching, and more.



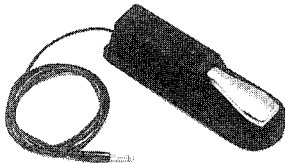
MFC05 MIDI Foot Controller

Simple, convenient foot-operated transmission of MIDI program change numbers 1 through 10.



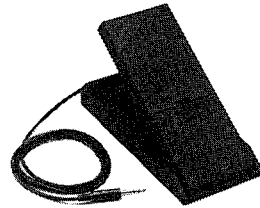
FC4 and FC5 Footswitches

Either of these sturdy footswitches is ideal for bypass switching or footswitch memory recall.



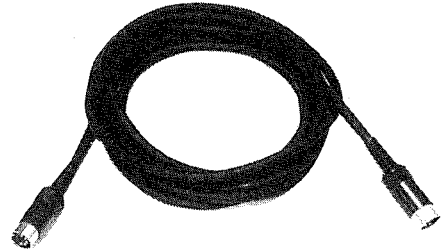
FC7 Foot Controller

Use one or two of these foot controllers to control volume or just about any effect parameter in real time.



MIDI03 and MIDI15 MIDI Cables

The MIDI03 is a standard 3-meter length while the MIDI15 is a 15-meter type for long cable runs.



SIMUL EFFECT PROCESSOR

FX900

Manuel d'utilisation

Précautions à prendre lors de la manipulation du matériel de sonorisation

- Ne pas placer le coffret et les composants dans les lieux suivants:
 - * Lieux exposés directement au rayonnement solaire.
 - * Lieux situés au voisinage d'une source de chaleur et pouvant être soumis à une élévation excessive de température.
 - * Lieux humides ou poussiéreux.
 - * Lieux soumis à des vibrations excessives.
- Ne pas utiliser, pour le nettoyage de l'appareil, de dissolvants ou de solutions similaires; éviter aussi toute vaporisation d'insecticides de type aérosol au voisinage de l'appareil (les dissolvants et les insecticides de type aérosol provoquent souvent, en effet, la décoloration). Nettoyer l'appareil en l'essuyant avec un tissu doux et sec.
- Avant la mise en marche, il convient de réduire le volume au minimum, afin d'assurer la protection du matériel branché.
- Ne rien placer sur le bloc dissipateur de chaleur. L'effet de dissipation de chaleur s'en trouverait réduit d'autant et un fonctionnement défectueux pourrait en résulter.
- Ne jamais forcer lors de la manipulation des interrupteurs, des boutons et des bornes.
- La manipulation de l'appareil doit s'effectuer soigneusement. Toute manipulation brutale – telle que choc contre un objet dur ou chute à terre – peut avoir une incidence fâcheuse sur les performances du matériel.
- Abstenez-vous de modifier ou de restructurer l'appareil, afin d'éviter tout mauvais fonctionnement ou toute défaillance.
- Assurez-vous que les branchements avec les autres éléments sont correctement effectués, et notez que le courant doit toujours être coupé avant d'effectuer tout branchement. Si le bloc doit être déplacé, détachez au préalable tous les conducteurs, afin d'éviter tout dommage et tout risque de court-circuit.

Précautions à prendre lors de la manipulation de l'appareil fonctionnant sur courant alternatif

- Assurez-vous que la source d'alimentation correspond au voltage nominal approprié. Ne jamais brancher l'appareil avec une prise ne possédant pas le voltage nominal approprié.
- Si l'appareil doit rester inutilisé pendant une longue période, il convient de débrancher la prise d'alimentation.
- Par temps orageux, débrancher immédiatement l'appareil de la source d'alimentation, afin d'assurer la protection de ce dernier.
- Evitez de toucher l'interrupteur d'alimentation ou de brancher/débrancher la prise courant alternatif ou la prise entrée/sortie, avec des mains humides.

Précautions à prendre lors de la manipulation de l'appareil fonctionnant sur piles

- Si l'appareil doit rester inutilisé pendant une longue période, retirer les piles et les conserver en lieu sûr, afin d'éviter tout dommage résultant de fuites.
- Utilisez l'adaptateur courant alternatif exclusivement conçu pour l'appareil. Il convient de noter que certains adaptateurs ont une polarité différente.
- Lors de l'insertion des piles, assurez-vous que les polarités sont correctes. Toute erreur risque de provoquer un fonctionnement défectueux de l'appareil.

Précautions à prendre lors de la manipulation de l'ampli et du haut-parleur doté d'un ampli incorporé

- Ne pas fournir au haut-parleur une puissance supérieure à celle admissible.
- Utiliser un haut-parleur dont l'impédance reste à l'intérieur des limites données par l'ampli.

Félicitations!

Vous êtes l'heureux propriétaire d'un processeur d'effets multiples simultanés FX900 Yamaha. L'FX900 bénéficie de l'incomparable technologie de traitement des signaux numériques Yamaha pour produire un système entièrement configurable de jusqu'à sept effets simultanés avec des possibilités de programmation étendues.

Un système d'algorithmes unique permet de connecter les effets en série ou parallèle et dans n'importe quelle ordre, tandis qu'une palette complète de paramètres permet d'ajuster finement chaque effet. Avec une large gamme d'effets programmables de types COMPRESSOR, DISTORTION, EQUALIZER, ENHANCER, WAH, PITCH CHANGE, REVERB, EARLY REFLECTION, DELAY, ECHO ET MODULATION, l'FX900 est un système de traitement de signal complet et sophistiqué de taille compacte. Il contient 100 magnifiques programmes d'effets présélectionnés qu'il vous suffit de sélectionner pour les utiliser directement et 100 emplacements de mémoire RAM pour recevoir les sons de traitement de signal originaux que vous créerez en utilisant les multiples fonctions de programmation offertes par l'appareil. L'FX900 fonctionne aussi en configuration 1 entrée / 2 sorties que 2 entrées / 2 sorties et peut donc s'adapter à n'importe quel système. Pour davantage de souplesse et de facilité d'intégration dans les systèmes MIDI, l'FX900 a été pourvu de larges moyens de contrôle externes. N'importe lequel de ses 100 emplacements de mémoire peut être directement sélectionné à partir d'un clavier, d'un contrôleur au pied ou tout autre contrôleur compatible MIDI. Il est également possible de contrôler directement les paramètres d'effets en temps réel. Une unité de contrôle à distance FC900 est disponible pour commander du pied les principales fonctions de l'FX900.

Aucun autre processeur multi-effets ne vous offre autant de souplesse et le son n'est rien moins que superbe.

Veillez lire attentivement ce manuel d'utilisation tout en explorant les possibilités de votre FX900, et le conserver en lieu sûr afin de pouvoir le consulter chaque fois que cela est nécessaire.

Table des matières

1. Précautions	55	8. Le mode UTILITY	94
2. L'FX900: Ce qu'il fait	56	■ TITLE EDIT	94
■ Effets	56	■ Sélection de programme MIDI: MIDI SETUP et MIDI PGM CHANGE	95
■ Algorithmes	56	● MIDI SETUP	95
■ Configuration de la mémoire	57	● MIDI PGM CHANGE	96
■ Contrôle externe	58	■ Contrôle externe des paramètres: CONTROLLER 1 à CONTROLLER 4	97
3. Connexions: Configuration d'un système de base	59	● Assignations des contrôleurs	97
4. Les commandes: Guide d'utilisation rapide	61	● Assignation de CONTROLLER 1 à 4 à des paramètres d'effets spécifiques	99
5. Le mode MEMORY: Sélection des programmes d'effets	63	■ F.SW MEMORY RCL	100
6. Edition	64	■ BULK OUT	101
■ Commutation des groupes d'effets	64	9. Caractéristiques techniques	102
■ Changement d'algorithme	65	10. Assignations Algorithme & Effet pour les programmes présélectionnés	156
■ Permutation et assignation d'effets	67	11. Format des données MIDI	160
■ Accès aux paramètres et édition	69	12. Schéma de principe	166
■ Mémorisation	70	13. Table des paramètres de l' FX900	167
7. Les effets et leurs paramètres	71	14. Tableau des données initiales	173
■ Groupe DYN (pour dynamique)	71		
● CDE - Compressor/Distortion/Equalizer	71		
● CMP - Dual compressor	73		
● ENH - Stereo enhancer	74		
● WAH - Stereo wah	75		
● PEQ - Dual Parametric Equalizer	76		
● MBD - Multi-band distortion	77		
● CDW - Compressor/Distortion/Equalizer/Wah ...	78		
● DST - Stereo distortion/equalizer	80		
■ Groupe REV1 (Reverb 1)	81		
● PCM - Mono Pitch Change	81		
● PCS - Stereo Pitch Change	82		
● RV1 - Reverb 1	83		
● ER1 - Early Reflections 1	84		
● DL1 - Mono delay 1	85		
● EC1 - Echo (Stereo Delay) 1	86		
● MD1 - Modulation Delay 1	87		
● MT1 - Multi Tap Delay 1	89		
■ Groupe MOD (Modulation)	90		
● CHO - Chorus	90		
● FLG - Flanger	90		
● SYM - Symphonic	91		
● TRM - Tremolo	91		
● PAN - Round Pan	92		
■ Groupe REV2 (Reverb 2)	93		
● RV2 - Reverb	93		
● ER2 - Early Reflections 2	93		
● DL2 - Mono Delay 2	93		
● EC2 - Echo (Stereo Delay) 2	93		
● MT2 - Multi Tap Delay 2	93		
● R+D - Reverb + Delay	93		

1. Précautions

VEUILLEZ LIRE ATTENTIVEMENT CECI AVANT DE COMMENCER

1. EVITEZ LA CHALEUR EXCESSIVE, LA POUSSIERE ET LES VIBRATIONS

Evitez de laisser cet appareil dans des endroits où il risque d'être exposé à une température ou un degré d'humidité élevé - à proximité de radiateurs ou autres appareils de chauffage, par exemple. Evitez également les endroits soumis à une accumulation de poussière excessive ou à des vibrations susceptibles d'entraîner des dommages mécaniques.

2. EVITEZ LES CHOCS

Des chocs violents peuvent endommager l'appareil. Manipulez-le avec précautions.

3. N'OUVREZ PAS LE BOITIER ET N'ESSAYEZ PAS DE REPARER OU DE MODIFIER L'APPAREIL VOUS-MEME

Cet appareil ne contient aucun élément que l'utilisateur serait en mesure de réparer ou entretenir lui-même. Confiez toute opération d'entretien au personnel qualifié du service après-vente Yamaha. Le fait d'ouvrir le coffret et/ou de toucher aux circuits internes entraînera automatiquement l'annulation de la garantie.

4. METTEZ TOUJOURS L'APPAREIL HORS TENSION AVANT DE BRANCHER OU DE DEBRANCHER DES CABLES

Coupez toujours l'alimentation avant d'installer ou de défaire des connexions.

5. MANIPULEZ LES CABLES AVEC PRECAUTIONS

Pour brancher ou débrancher un câble, — y compris le câble d'alimentation —, tenez-le toujours par la fiche. Evitez de tirer sur le cordon.

6. POUR LE NETTOYAGE: UN CHIFFON DOUX ET SEC

N'utilisez jamais de solvants tels que de l'essence ou du diluant pour nettoyer l'unité. Essuyez-la simplement avec un chiffon doux et sec.

7. UTILISEZ TOUJOURS UN COURANT D'ALIMENTATION CORRECT

Utilisez toujours un courant d'alimentation correct pour alimenter votre FX900. Assurez-vous que votre FX900 fonctionne bien à la tension du secteur avec laquelle vous comptez l'utiliser (la tension d'alimentation correcte est indiquée sur le panneau arrière, en dessous du cordon d'alimentation).

8. INTERFERENCES ELECTRIQUES

Etant donné qu'il contient des circuits numériques, l'FX900 peut être la cause d'interférences sur des téléviseurs, récepteurs radio et appareils similaires. Si vous rencontrez ce genre de problème, éloignez quelque peu votre FX900 des appareils affectés.

9. CABLES MIDI

Pour connecter l'FX900 à d'autres appareils MIDI, utilisez uniquement des câbles de haute qualité conçus pour les transmissions de données MIDI. Evitez d'utiliser des câbles dont la longueur dépasse 15 mètres car des câbles longs captent plus facilement les parasites et sont donc plus susceptibles de provoquer des erreurs de données.

10. MAINTIEN DE LA MEMOIRE

L'FX900 contient une pile spéciale longue durée qui maintient le contenu de sa mémoire RAM interne même lorsque le courant est coupé. Cette pile a une longévité d'environ 5 ans. Si la tension de la pile tombe en dessous d'un niveau minimum, le message suivant apparaît sur l'écran à la mise sous tension:

**** WARNING ****
LOW BATTERY

Si cet affichage apparaît, faites remplacer la pile dès que possible dans un centre de service après-vente Yamaha. N'ESSAYEZ PAS DE REMPLACER CETTE PILE VOUS-MEME!

11. MESSAGES D'ERREUR

Lorsque l'FX900 est mis sous tension, un programme teste automatiquement certaines fonctions vitales de l'appareil. En cas de problème, un message d'erreur ("E0" à "E8") apparaît sur l'écran d'affichage à cristaux liquides. Si un tel message apparaît, faites immédiatement réviser votre appareil par le centre de service après-vente le plus proche et indiquez au technicien le type de message qui est apparu.

2. L'FX900: Ce qu'il fait

■ Effets

L'FX900 possède quatre "groupes" d'effets — DYN (dynamic), REV1 (reverb 1), MOD (modulation) et REV2 (reverb 2) — qui contiennent chacun plusieurs effets. Certains de ces effets sont en fait une combinaison de plusieurs effets, comme par exemple l'effet CDE dans le groupe DYN, qui combine les effets COMPRESSOR, DISTORTION ET EQUALIZER. Le tableau ci-dessous donne la liste des effets contenus dans chaque groupe, indiqués par l'abréviation de 3 lettres utilisée sur l'écran,

Groupe	Effet	Description
DYN	CDE	Compressor/distortion/equalizer
	CMP	Dual compressor*
	ENH	Dual enhancer
	WAH	Stereo wah*
	PEQ	Dual parametric equalizer
	MBD	Multi-band distortion
	CDW	Compressor/distortion/equalizer/wah
	DST	Stereo distortion/equalizer
REV1	PCM	Mono pitch change
	PCS	Stereo pitch change
	RV1	Reverb 1
	ER1	Early reflections 1
	DL1	Mono delay 1
	EC1	Echo (stereo delay) 1
	MD1	Modulation delay 1
	MT1	Multi tap delay 1
MOD	CHO	Chorus
	FLG	Flanger
	SYM	Symphonic
	TRM	Tremolo
	PAN	Round pan
REV2	RV2	Reverb 2
	ER2	Early reflections 2
	DL2	Mono delay 2
	EC2	Echo (stereo delay) 2
	MT2	Multi tap delay 2
	R+D	Reverb + delay

* Les programmes "Dual" possèdent des paramètres séparés pour les voies stéréo gauche et droite, tandis que les programmes "Stéréo" possèdent un seul jeu de paramètres pour les deux voies.

Chaque effet possède un certain nombre de paramètres programmables que vous pouvez ajuster pour affiner le son en fonction de vos exigences musicales spécifiques. Les effets et leurs paramètres individuels sont décrits en détails dans la section "Les effets et leurs paramètres" de ce manuel, à partir de la page 71.

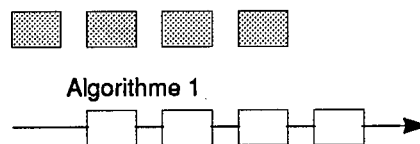
Jusqu'à quatre effets, un de chaque groupe, peuvent être combinés et connectés à volonté en assignant chaque groupe d'effets à l'un des quatre "blocs" qui composent les 11 algorithmes de l'FX900 (décrits ci-dessous).

■ Algorithmes

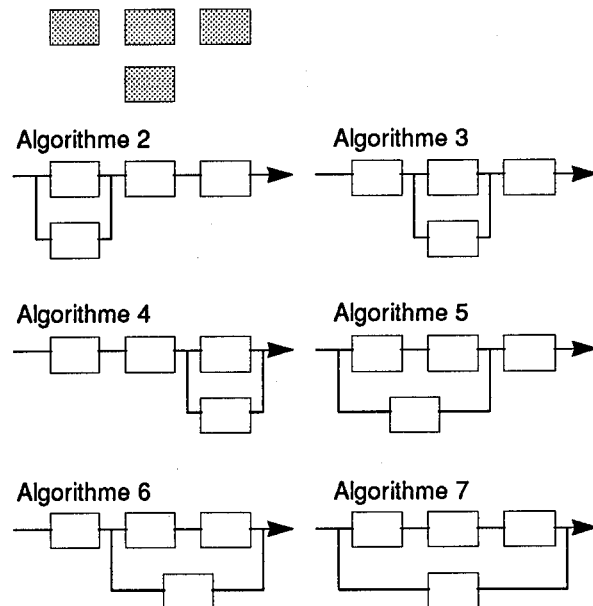
Le son résultant de la combinaison de plusieurs effets dépend, en grande partie de la manière dont les effets sont connectés, c'est-à-dire de l'ordre dans lequel ils sont combinés et la manière dont ils sont combinés (série ou parallèle). L'FX900 vous laisse une totale liberté quant à la manière de connecter les effets des quatre groupes d'effets grâce à un système d'algorithmes original.

L'FX900 possède cinq types d'algorithmes de base que nous appellerons arbitrairement la Chaîne, le Té, le Carré, le Grand Té et la Pile. Ils sont représentés (dans l'ordre, de gauche à droite), par les symboles accompagnant les indicateurs de type d'algorithme du panneau avant. Les types Té et Grand Té possèdent un certain nombre de variantes, comme illustré sur la représentation des algorithmes, ci-dessous.

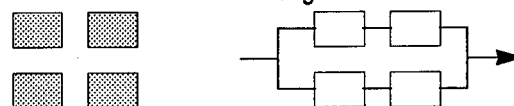
1. Chaîne



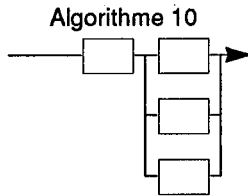
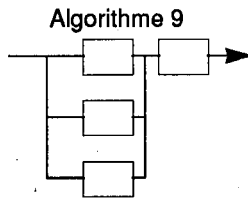
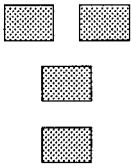
2. Té



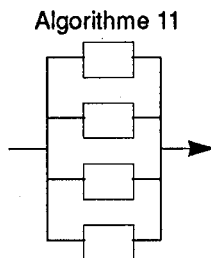
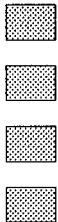
3. Carré



4. Grand T6



5. Pile



Nous disposons donc d'un total d'11 algorithmes. Comme nous l'avons mentionné précédemment, un effet de chacun des quatre groupes d'effets de l'FX900 peut être assigné à chaque "bloc" à l'intérieur de l'algorithme sélectionné. Ceci permet de combiner les effets de l'FX900 à volonté pour produire le son souhaité. Vous trouverez à la page 65 des explications détaillées sur la manière de sélectionner les algorithmes et d'assigner les effets.

■ Configuration de la mémoire

L'FX900 possède un total de 200 emplacements de mémoire. Les emplacements de mémoire "PRESET" 0 à 99 sont de type ROM (lecture uniquement) et contiennent 100 effets pré-programmés qu'il vous suffit de sélectionner et d'utiliser. Les emplacements de mémoire "USER" 0 à 99 sont de type RAM (lecture et écriture) et peuvent être utilisés pour mémoriser des programmes d'effets originaux que vous avez créés en éditant les programmes pré-sélectionnés. Les 100 emplacements de mémoire RAM contiennent à l'origine une copie des 100 pré-sélections. Le premier emplacement, l'emplacement de mémoire 0, contient des données initialisées dont vous pouvez vous servir comme point de départ pour créer vos propres programmes d'effets originaux. Les données initialisées sont des réglages qui produisent un effet plus ou moins normal, que vous pouvez aisément éditer en vous écartant progressivement de la valeur nominale, pour créer votre propre son.

MEMOIRE DES PRESELECTIONS (ROM)	MEMOIRE DE L'UTILISATEUR (RAM)
0 — 99	0 — 99
<ul style="list-style-type: none">• 0 contient des données "initiales"• 1 — 99 contiennent les programmes d'effets présélectionnés	<ul style="list-style-type: none">• Programmes édités par l'utilisateur

Titres des programmes d'effets présélectionnés.

No de mémoire	Titre du programme	No de mémoire	Titre du programme
Groupe distorsion			
No. 1	Massive Dist.	No. 52	Pitch Twist
No. 2	Triple Stack	No. 53	Bright Chorus
No. 3	Fullrange Dist	No. 54	Wanderer
No. 4	Southern Rock	No. 55	Reverb Sweet
No. 5	Smooth Dist	No. 56	Dew
No. 6	Metal Master	No. 57	Treble Tremolo
No. 7	Razor's Edge	No. 58	Tape Echo
No. 8	Power Detune	No. 59	Hollow Body
No. 9	Tube Lead	No. 60	Nylon Strings
No. 10	FX Distortion	No. 61	Comp Chorus
Groupe basse			
No. 11	Sweet Lead	No. 62	Fretless Solo
No. 12	Harmony Lead	No. 63	Fretless Pick
No. 13	Rockin' 70's	No. 64	Flange Bass
No. 14	Multi Lead	No. 65	Touch-wah Bass
No. 15	Mid Peak	No. 66	Slap Bass
No. 16	3-way Dist	No. 67	Bass Distortion
No. 17	Led Distortion	No. 68	Island Bass
No. 18	Tight Distortion	No. 69	Straight Pick
No. 19	Pan Distortion	No. 70	Flange Pick
No. 20	Hard Sitar	No. 71	Quick Chase
Groupe synthétiseur			
No. 21	Flange Sitar	No. 72	EP Ambience
No. 22	Shapeless Bells	No. 73	Punchy Piano
No. 23	Tight Rock	No. 74	Thick Organ
No. 24	Crunch	No. 75	Rock Organ
No. 25	Slide Distortion	No. 76	Slow Rotor
No. 26	Touch Dist	No. 77	Clavi-flange
No. 27	Cluster Dist. 1	No. 78	Pluck-wah
No. 28	Cluster Dist. 2	No. 79	Silky Clav
No. 29	Cluster Dist. 3	No. 80	Pad Fill
No. 30	Talkin' Dist.	No. 81	Wind Enhancer
No. 31	Wide-Pan Dist.	No. 82	Brass Lifter
No. 32	Wah Distortion	No. 83	Horn Solo
No. 33	Sparkler	No. 84	Polished Strings
No. 34	Meteor	No. 85	Fat Bass
Groupe Sans distorsion			
No. 35	Simply Sweet	No. 86	3D-pan Bass
No. 36	Compressed Solo	Groupe batterie/percussions/enregistrement	
No. 37	Bright Backer	No. 87	Rock Drum
No. 38	Shimmer Echo	No. 88	Heavy Drum
No. 39	Crisp Chops	No. 89	Warehouse Drum
No. 40	Touch Of Jazz	No. 90	Percussion Gate
No. 41	50's Boogie	No. 91	Percussion-wah
No. 42	Touch Wah	No. 92	Vocal Reverb 1
No. 43	Dry Clean	No. 93	Vocal Reverb 2
No. 44	Crisp Q	Groupe des effets de son	
No. 45	Spicy Repeat	No. 94	Dinosaur
No. 46	Fifths	No. 95	Teleporter
No. 47	Light Harmony	No. 96	Escalator
No. 48	Silver Strings	No. 97	War Drum
No. 49	Stereo Tremolo	No. 98	Infinite Echo
No. 50	Funk Groove	No. 99	Steam Machine
No. 51	City Theme		

No. 0 Initial Data

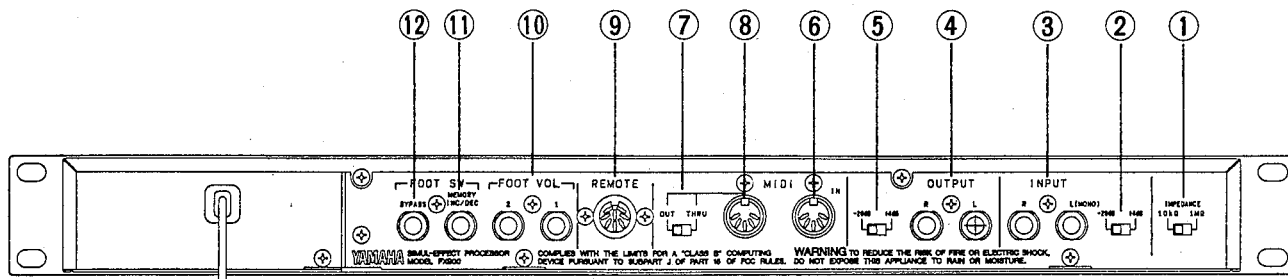
■ Contrôle externe

Pour davantage de souplesse et de facilité d'intégration dans les systèmes MIDI, l'FX900 a été pourvu de larges moyens de contrôle externes. N'importe lequel de ses 100 emplacements de mémoire peut être directement adressé partir d'un clavier, d'un contrôleur au pied ou tout autre contrôleur compatible MIDI. Il est également possible de contrôler jusqu'à quatre paramètres d'effets simultanément, en temps réel, via des contrôleurs MIDI et/ou des contrôleurs au pied branchés aux deux prises du panneau arrière. Par exemple, il est possible de contrôler la profondeur de modulation d'un effet de type flanger et le temps de réverbération d'un effet de type reverb en temps réel, tout en jouant. Voir page 97 pour les détails.

Le contrôle à distance est particulièrement efficace avec le contrôleur au pied FC900 Yamaha, spécialement conçu pour l'FX900. L'FC900 permet la sélection des programmes d'effets, la commutation des groupes d'effets, le contournement (bypass) et le contrôle des paramètres et d'autres fonctions versatiles à partir du plancher. Veuillez vous reporter à la documentation fournie avec l'FC900 pour davantage de détails.

* Pour les détails sur les algorithmes et les effets individuels utilisés dans chaque programme d'effet, voir le tableau à partir de la page 156.

3. Connexions: Configuration d'un système de base



① Commutateur d'impédance d'entrée

Ce commutateur détermine l'impédance d'entrée des prises INPUT R et L/MONO ainsi que de la prise INPUT du panneau avant. Si vous connectez une guitare ou un autre instrument à haute impédance directement à l'FX900, réglez ce commutateur sur la position "1M". La position "1k" correspond au niveau des appareils audio standard et autres sources de niveau ligne.

② Commutateur de niveau d'entrée -20dB/+4dB

Ce commutateur permet de faire correspondre la sensibilité d'entrée de l'FX900 au type d'équipement source utilisé. Si vous avez l'intention de connecter l'FX900 à du matériel professionnel dont les sorties sont à +4 dB, réglez le commutateur de niveau d'entrée sur la position "+4dB". La position "-20dB" convient pour la plupart des appareils audio "grand public".

③ Prises INPUT R & L/MONO

Les prises INPUT R et L/MONO permettent l'envoi d'un signal stéréo ou mono à l'FX900. Les signaux stéréo sont envoyés aux deux prises tandis que les signaux mono utilisent uniquement la prise L/MONO. Si une seule fiche est insérée dans la prise L/MONO uniquement, l'FX900 fonctionne comme processeur de signaux à une entrée et deux sorties. La prise L/MONO a les mêmes fonctions que la prise INPUT du panneau avant décrite dans la section suivante. Si des fiches sont insérées dans les prises d'entrée avant et arrière, la prise avant a priorité.

④ Prises OUTPUT R et OUTPUT L

Ces prises constituent les prises de sorties stéréo principales de l'FX900. Nous vous recommandons d'utiliser les deux sorties et de les connecter aux voies gauche et droite d'un système d'amplification stéréo, car la plupart des effets de l'FX900 sont stéréo. Si vous disposez seulement d'un système mono, utilisez soit la prise OUTPUT L, soit la prise OUTPUT R.

⑤ Commutateur de niveau de sortie -20 dB/+4dB

Ce commutateur sert à faire correspondre le niveau de sortie de l'FX900 à la sensibilité d'entrée de l'amplificateur, console de mixage ou autre appareil auquel il est connecté. Le réglage "-20dB" convient pour les entrées standard de niveau ligne, tandis que le réglage "+4dB" doit être utilisé lorsque l'FX900 est connecté à un appareil professionnel dont les entrées sont à +4dB.

⑥ Connecteur MIDI IN

Le connecteur MIDI IN accepte les signaux MIDI d'un appareil MIDI externe tel qu'un contrôleur au pied MIDI,

un clavier MIDI, etc. L'FX900 accepte les messages de changement de programme MIDI pour sélectionner directement les programmes d'effets ou les messages de changement de commande MIDI qui permettent le contrôle à distance de chacun des paramètres d'effets individuels.

[Pour plus de détails, voir page 95]

⑦ Commutateur MIDI THRU/OUT

Sélectionne le mode de fonctionnement MIDI THRU ou MIDI OUT pour le connecteur MIDI TRHU/OUT décrit ci-dessous.

⑧ Connecteur MIDI TRHU/OUT

Lorsque le commutateur MIDI THRU/OUT est réglé sur "THRU", les signaux MIDI reçus sur la prise MIDI IN sont retransmis via ce connecteur, en temps réel, ce qui permet d'enchaîner d'autres appareils MIDI à l'FX900. Lorsque le commutateur MIDI TRHU/OUT est réglé sur "OUT", les données MIDI correspondant au fonctionnement de l'FX900 sont transmises via ce connecteur.

[Pour plus de détails, voir page 101]

⑨ Connecteur REMOTE

Ce connecteur reçoit l'unité de contrôle au pied FC900, disponible en option, afin de contrôler aisément du pied la commutation des groupes d'effets, la sélection de programmes, le contournement et d'autres fonctions.

⑩ Prises FOOT VOL 1 et 2

Des contrôleurs au pied FC7 Yamaha, disponibles en option, connectés aux prises FOOT VOL 1 et 2 peuvent être utilisés pour contrôler les paramètres d'effet spécifiés en temps réel.

[Pour plus de détails, voir page 97]

⑪ Prise MEMORY INC/DEC

Un commutateur au pied FC4 ou FC5 Yamaha, disponible en option, peut être branché ici pour contrôler du pied la sélection des programmes d'effets. La plage de programmes d'effets qui peut être ainsi sélectionnée est déterminée par la fonction Footswitch Memory Recall Range Edit du mode UTILITY. (page 100).

[Pour plus de détails, voir page 100]

⑫ Prise BYPASS

Un commutateur au pied FC4 ou FC5 Yamaha, disponible en option, peut être branché ici pour effectuer exactement les mêmes fonctions que la touche [BYPASS] du panneau avant. Appuyez une fois sur le commutateur pour activer le mode contournement (bypass) et une seconde fois pour le désactiver.

Configurations de système de base

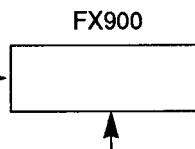
Voici comment l'FX900 peut être connecté à une guitare (ou basse) électrique, à un clavier électronique ou à un système d'enregistrement multipistes. La véritable configuration de votre système dépendra naturellement de vos besoins individuels, mais ces exemples vous donneront certainement quelques idées.

• Guitare électrique

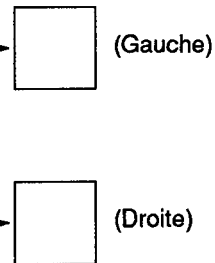
Guitare électrique ou basse



OUTPUT
Prise INPUT du panneau
avant ou prise INPUT
L/MONO du panneau
arrière



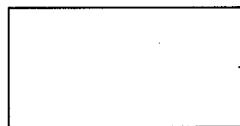
Amplificateur de
guitare ou de basse



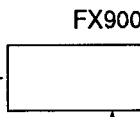
Commutateur d'impédance d'entrée réglé sur "1M".
Commutateur de niveau d'entrée réglé sur "-20dB"

• Clavier

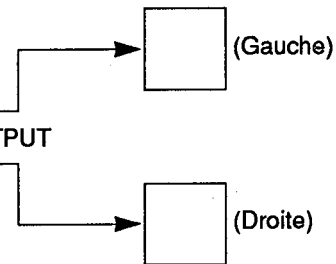
Synthétiseur, piano électrique
ou générateur de son



OUTPUT
Prise INPUT du panneau
avant ou prise INPUT
L/MONO du panneau
arrière
(les claviers fournissant une
sortie stéréo peuvent être
connectés aux prises INPUT
R et L du panneau arrière).



amplificateur de clavier

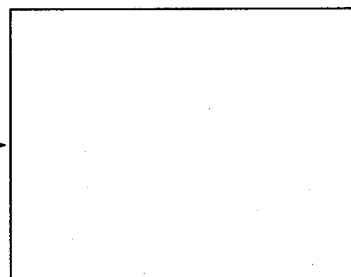


Commutateur d'impédance d'entrée réglé sur "10k".

• Enregistrement multipiste

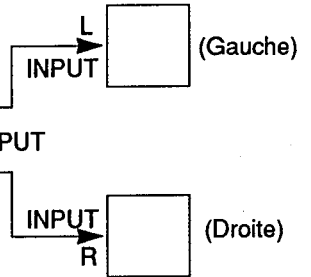
Mixeur ou enregistreur multipiste.

Microphones,
guitare, clavier,
batterie, etc.



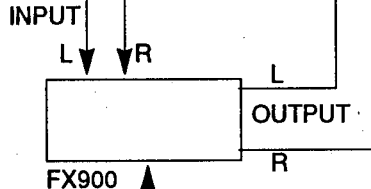
amplificateur de puissance

Haut-parleur



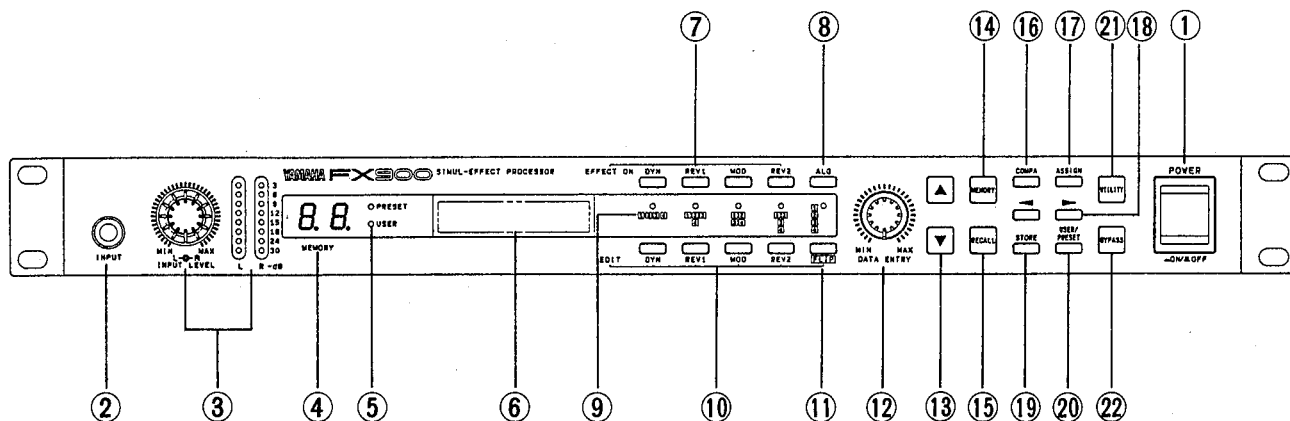
EFFECT SEND 1 2
EFFECT RETURN 1 2

Si le départ effets
est mono, il peut
être connecté à la
prise INPUT du
panneau avant ou
à la prise INPUT
L/MONO du
panneau arrière.



Commutateur d'impédance d'entrée réglé sur "10k".

4. Les commandes: Guide d'utilisation rapide



- ① Interrupteur marche/arrêt**
Appuyez une fois pour mettre l'FX900 sous tension et une seconde fois pour le mettre hors tension. Lorsque l'appareil est sous tension, un titre et une note relative aux droits d'auteur apparaissent sur l'écran d'affichage pendant quelques secondes.
- ② Prise d'entrée**
Branchez votre guitare ou autre source de signal mono à cette prise ou à la prise INPUT L/MONO du panneau arrière (voir "3. Prises INPUT R & L/MONO" dans la section "3. Connexions: Configurations de système de base"). Toutes les prises d'entrée sont des jacks standard de 1/4".
- ③ Commande INPUT LEVEL et indicateurs de niveau L et R**
Pour un réglage de niveau d'entrée optimal, jouez de votre source au niveau le plus élevé auquel vous l'utiliserez effectivement et ajustez la commande INPUT LEVEL de telle sorte que tous les segments des indicateurs de niveau, sauf le dernier (3) soient allumés la plupart du temps. Le dernier segment peut s'allumer occasionnellement, sur les crêtes. Le segment le plus élevé est pourvu d'une fonction de maintien de crête d'une seconde.
- ④ Affichage numérique LED MEMORY**
Indique le numéro de programme sélectionné - 0 à 99. Les indicateurs PRESET et USER décrits ci-dessous indiquent si le programme sélectionné se trouve dans la mémoire des présélections ou dans la mémoire de l'utilisateur.
- ⑤ Indicateurs PRESET et USER**
Ces indicateurs à LED indiquent si la mémoire ROM des présélection ou la mémoire RAM réservée à l'utilisateur est utilisée. La sélection s'effectue via la touche [USER/PRESET], décrite ci-dessous.
[Voir page 63 pour davantage de détails]
- ⑥ Ecran d'affichage à cristaux liquides**
Il s'agit du centre d'information principal de l'FX900. Il vous fournit toutes les indications nécessaires pour la sélection des programmes d'effets, la programmation et le contrôle des fonctions utilitaires.
- ⑦ Touches EFFECT ON - [DYN], [REV1], [MOD], [REV2]**
Ces touches servent à activer (voyant allumé) ou à désactiver (voyant éteint) le groupe d'effets correspondant.
[Voir page 64 pour plus de détails.]
- ⑧ Touche [ALG]**
Lorsque la touche [ALG] (pour algorithme) est pressée et que son voyant s'allume, la commande [DATA ENTRY] ou les touches [▲] et [▼] peuvent être utilisées pour sélectionner un nouveau programme d'effets. En mode de sélection d'algorithme, il est aussi possible d'assigner différents effets aux différents blocs de l'algorithme en déplaçant le curseur sur le bloc désiré au moyen des touches du curseur [◀] et [▶], puis en utilisant les touches [▲] et [▼] pour sélectionner un nouvel effet. Appuyez une seconde fois sur la touche [ALG] de manière à éteindre son voyant pour quitter le mode de sélection d'algorithme.
[Voir page 65 pour plus de détails.]
- ⑨ Indicateurs de type d'algorithme**
Ces cinq indicateurs et les symboles d'algorithme associés indiquent lequel des cinq types d'algorithmes de base est utilisé par l'effet actuellement sélectionné.
[Pour plus de détails, voir page 65.]
- ⑩ Touches EDIT - [DYN], [REV1], [MOD], [REV2]**
Ces touches donnent accès aux paramètres éditables de l'effet actuellement utilisé dans le groupe d'effets correspondant. La plupart des effets ont plusieurs "pages" de paramètres auxquelles on accède par des pressions répétées sur la touche EDIT correspondante.
[Pour plus de détails, voir page 67.]
- ⑪ Touche [FLIP]**
La touche [FLIP] est utilisée pour inverser les positions de deux groupes d'effets dans l'algorithme sélectionné, ce qui permet de placer les différents groupes d'effets n'importe où dans l'algorithme.
[Pour plus de détails, voir page 63.]

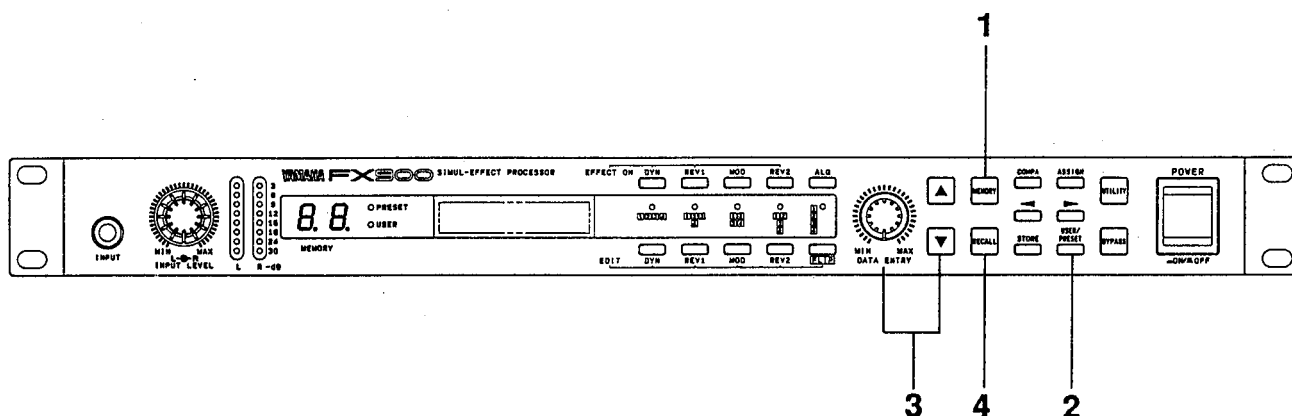
- ⑫ **Commande [DATY ENTRY]**
La commande [DATA ENTRY] permet de sélectionner rapidement les programmes, les numéros d'algorithme, les effets et les valeurs de paramètre dans les modes correspondants. Dans de nombreux cas, la commande [DATA ENTRY] vous semblera plus efficace pour un réglage grossier puis vous pourrez utiliser les touches [▲] et [▼] (décrites plus loin) pour un réglage fin pas à pas. Tournez la commande [DATA ENTRY] dans le sens des aiguilles d'une montre pour augmenter le numéro ou la valeur et dans le sens inverse des aiguilles d'une montre pour diminuer.
[Pour plus de détails, voir page 63.]
- ⑬ **Touches Data Entry [▲] et [▼]**
Les touches [▲] et [▼] permettent la sélection par incréments des numéros de programme, numéros d'algorithme, effets et valeurs de paramètre dans les modes correspondants. Ces touches peuvent également être maintenues enfoncées pour faire défiler les données en continu. Pour aller plus vite, appuyez sur la touche d'entrée de données opposée après avoir enfoncé et maintenu enfoncée la touche correspondant à la direction dans laquelle vous souhaitez que le défilement s'effectue.
[Pour plus de détails, voir page 63.]
- ⑭ **Touche de mode [MEMORY] et indicateur**
Lorsque le voyant de la touche [MEMORY] est allumé, le mode [MEMORY] de l'FX900 est actif et les programmes d'effets (0 - 99, PRESET ou USER) peuvent être sélectionnés et rappelés au moyen de la commande [DATA ENTRY] ou des touches s et t et de la touche [RECALL]. Le mode MEMORY peut être activé à partir du mode EDIT en appuyant sur la touche [MEMORY]. En revanche, il ne peut pas être sélectionné directement à partir du mode UTILITY. Il faut d'abord quitter le mode UTILITY en appuyant sur la touche [UTILITY] et en la maintenant enfoncée jusqu'à ce que son voyant s'éteigne (environ 1 seconde).
[Pour plus de détails, voir page 63.]
- ⑮ **Touche [RECALL]**
Après avoir utilisé la commande [DATA ENTRY] ou les touches [▲] et [▼] pour sélectionner un programme d'effets à partir du mode MEMORY, appuyez sur la touche [RECALL] pour rappeler effectivement et activer le programme sélectionné.
[Pour plus de détails, voir page 63.]
- ⑯ **Touche [COMPA]**
La touche [COMPA] (comparaison) permet de comparer le son d'un effet édité avec la version de cet effet avant édition. Pour entendre l'effet pré-édité, appuyez sur la touche [COMPA] de telle sorte qu'elle s'éclaire. Appuyez sur la touche [COMPA] une seconde fois pour quitter le mode de comparaison et retourner au son de la voix en cours d'édition.
- ⑰ **Touche [ASSIGN]**
La touche [ASSIGN] est utilisée pour assigner des paramètres d'effet à un contrôleur MIDI externe ou à un contrôleur au pied.
[Pour plus de détails, voir page 97.]
- ⑱ **Touche [STORE]**
Après avoir édité l'un des programmes d'effets (PRESET ou USER 0 à 99), le nouveau programme peut être mémorisé dans n'importe lequel des emplacements de mémoire RAM de l'FX900 (USER 0 à 99) pour rappel et utilisation ultérieure. La touche [STORE] sert à mémoriser les données éditées dans un emplacement de mémoire RAM.
[Pour plus de détails, voir page 70.]
- ⑲ **Touche [USER/PRESET]**
Sélectionne la zone de mémoire PRESET ou USER. La zone de mémoire sélectionnée est indiquée par les voyants PRESET et USER situés à côté de l'affichage du numéro de mémoire.
[Pour plus de détails, voir page 63.]
- ⑳ **Touche de mode [UTILITY] et indicateur**
Appuyez sur cette touche pour activer le mode UTILITY et accéder à plusieurs fonctions utilitaires importantes.
 - Title Edit [Page 94]
 - MIDI Setup [Page 95]
 - MIDI Program Change Table Edit [Page 96]
 - Controller Assignment [Page 97]
 - Foot Switch Memory Recall Range Edit [Page 95]
 - Bulk Out [Page 101]
La touche [UTILITY] s'éclaire lorsque le mode UTILITY est sélectionné. Chaque fois que la touche [UTILITY] est pressée, la fonction suivante dans la liste des fonctions utilitaires est sélectionnée. Le mode sélectionné avant que la touche [UTILITY] ne soit pressée (MEMORY ou EDIT) est à nouveau sélectionné à la suite de la dernière fonction utilitaire. Il est également possible de quitter le mode UTILITY en pressant et en maintenant enfoncée la touche [UTILITY] jusqu'à ce que son voyant s'éteigne (environ 1 seconde).
- ㉑ **Touche [BYPASS]**
Lorsque la touche [BYPASS] est pressée et s'éclaire, tous les effets de l'FX900 sont contournés et le signal entré est envoyé à la sortie tel quel. Appuyez une seconde fois sur la touche [BYPASS] pour désactiver la fonction de contournement. La prise pour commutateur au pied BYPASS du panneau arrière peut également être utilisée pour commander la fonction de contournement (voir "12. Prise BYPASS".)

5. Le mode MEMORY: Sélection des programmes d'effets

Dans le mode MEMORY de l'FX900, la commande [DATA ENTRY] ou les touches [▲] et [▼] peuvent être utilisées pour sélectionner individuellement les programmes d'effets. Lorsqu'un nouveau numéro de programme est sélectionné, son numéro clignote sur l'affichage MEMORY et son titre apparaît sur la ligne supérieure de l'écran à cristaux liquides (les noms abrégés des effets actifs dans le programme sélectionné apparaissent sur la ligne du bas). Appuyez sur la touche [RECALL] pour rappeler et activer le programme sélectionné.

Remarque:

Lorsqu'un message de changement de programme MIDI est reçu pour sélectionner un effet, un "M" apparaît brièvement sur la ligne inférieure de l'écran, du côté droit.



1. Si le mode MEMORY n'est pas déjà sélectionné (c'est-à-dire si la touche [MEMORY] n'est pas éclairée, appuyez sur la touche [MEMORY] pour sélectionner le mode MEMORY.

Remarque: Si le mode UTILITY est sélectionné (c'est-à-dire si la touche [UTILITY] est éclairée), il faut d'abord quitter le mode UTILITY avant de sélectionner le mode MEMORY en pressant et en maintenant enfoncée la touche [UTILITY] jusqu'à ce que son voyant s'éteigne (environ 1 seconde).

2. Si nécessaire, utilisez la touche [USER/PRESET] pour sélectionner la zone de mémoire réservée à l'utilisateur ou celle des présélections.
3. Utilisez la commande [DATA ENTRY] ou les touches [▲] et [▼] pour sélectionner le numéro du programme d'effets désiré. Appuyez sur la touche [▲] ou [▼] brièvement pour sélectionner le programme immédiatement inférieur ou supérieur ou maintenez une de ces deux touches enfoncée pour parcourir rapidement les valeurs dans la direction correspondante. Pour un défilement encore plus rapide, appuyez sur la touche fléchée de la direction opposée tout en maintenant enfoncée la touche fléchée correspondant à la direction du déplacement.

4. Le numéro du programme d'effets sélectionné doit maintenant clignoter sur l'affichage, pour indiquer que le programme a été sélectionné mais n'a pas encore été rappelé (le programme d'effets antérieur est toujours actif). Appuyez sur la touche [RECALL] pour rappeler effectivement et activer le programme sélectionné. Le numéro du programme s'arrête de clignoter.

6. Edition

Il n'existe pas de procédure bien définie pour éditer les effets. Avec l'expérience, vous développerez probablement une méthode appropriée à vos besoins. En général, cependant, vous diviserez l'opération en plusieurs étapes:

1. Choisir les effets à utiliser.
2. Décider de la manière dont les effets seront connectés (c'est-à-dire sélectionner l'algorithme et assigner les effets à ses différents blocs).
3. Editer les paramètres d'effet si nécessaire.
4. Mémoriser l'effet.

Dans certains cas, il vous faudra également effectuer des assignations de contrôleur et donner un nom original à votre effet en utilisant la fonction TITLE EDIT du mode UTILITY (page 94).

Dans cette section, nous aborderons les opérations nécessaires pour réaliser la séquence d'édition de base décrite ci-dessus.

■ Commutation des groupes d'effets

Les groupes d'effets de l'FX900 — et donc l'effet actif à l'intérieur de chaque groupe — peuvent être activés ou désactivés individuellement au moyen des touches EFFECT ON ([DYN], [REV1], [MOD] et [REV2]). Des pressions répétées sur ces touches activent et désactivent en alternance le groupe d'effets correspondant (lorsqu'un groupe est activé, le voyant correspondant est allumé). Lorsqu'un groupe est désactivé, il est contourné et littéralement retiré de l'algorithme. Ceci permet d'écouter individuellement les différents effets composant l'algorithme ou toute combinaison d'effets souhaitée. Vous n'aurez pas non plus toujours besoin de quatre effets dans vos programmes et pourrez désactiver les effets superflus au moyen de ces touches.

Remarque:

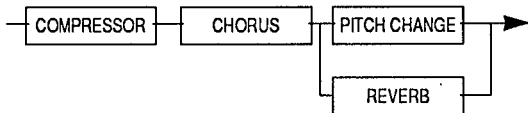
Le statut actif/inactif de chaque effet est mémorisé dans la mémoire RAM en même temps que toutes les autres données d'effet lorsqu'une opération STORE est effectuée (voir "Memory Store" à la page 70).

■ Changement d'algorithme

Le choix de l'algorithme à utiliser dans une combinaison d'effets particulière requiert un peu de logique. Considérez, par exemple, l'enchaînement d'effets suivant:

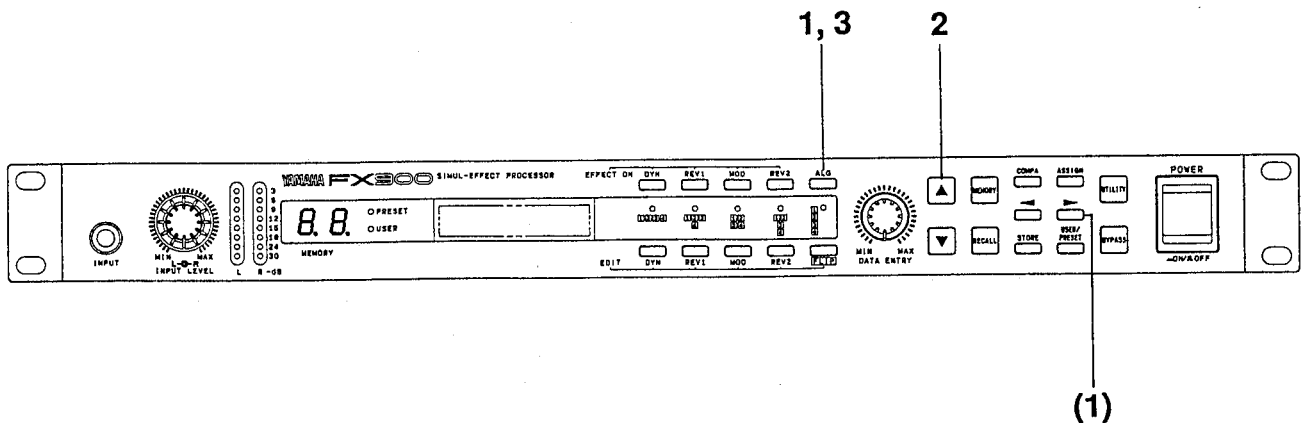


La compression, lorsqu'elle est utilisée, est pratiquement toujours en première position dans la chaîne, afin que les effets suivants puissent bénéficier d'un signal d'entrée plus "régulier". Dans cet exemple, le chorus suit le compresseur et ce niveau est suivi d'un effet de changement de hauteur. La réverbération vient en dernière tout simplement parce que nous souhaitons l'appliquer au son dans son ensemble. Regardons maintenant ce qui se passe lorsqu'on modifie légèrement cet agencement:



Dans ce cas, l'étage réverbération est connecté en parallèle avec l'étage de changement de hauteur. La réverbération s'applique au signal comprimé et à celui venant du chorus, mais pas à l'effet de changement de hauteur. La sortie sera une combinaison relativement "sèche" de compression/chorus/changement de hauteur et de compresseur/chorus avec réverbération.

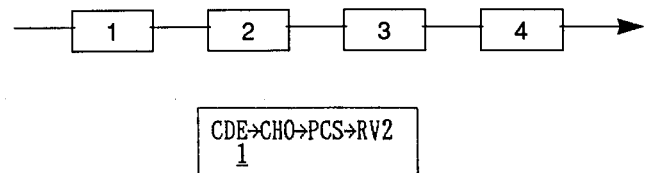
Manifestement, les choses peuvent devenir très complexes et ceci illustre l'extraordinaire souplesse offerte par le système algorithmique de l'FX900. Peut-être la meilleure approche pour sélectionner un algorithme consiste-t-elle à déterminer logiquement la configuration qui semble la plus apte à produire le son souhaité et à l'essayer. Si cela ne donne pas le résultat escompté, essayez alors d'autres configurations jusqu'à ce que vous soyez satisfaits. A la longue, vous parviendrez certainement à déterminer la bonne combinaison du premier coup.



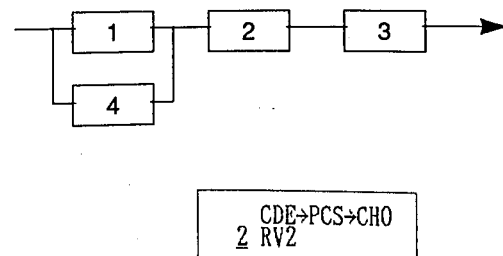
1. Appuyez sur la touche [ALG] de manière à ce que son voyant s'allume. L'algorithme actuellement sélectionné apparaît sur l'écran et le trait du curseur se trouve sous le numéro d'algorithme dans le coin inférieur gauche (le curseur peut être déplacé en utilisant les touches du curseur [◀] et [▶], mais pour l'instant, laissons-le sous le numéro de l'algorithme).
2. Utilisez la commande [DATA ENTRY] ou les touches [▲] et [▼] pour sélectionner l'algorithme souhaité.
3. Appuyez à nouveau sur la touche [ALG] pour revenir au mode précédent.

Les affichages d'algorithme correspondent aux algorithmes suivants (les assignations d'effet indiquées sont celles du numéro de programme PRESET 1: Grand Dist.):

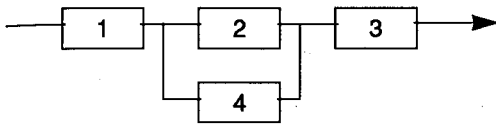
Algorithme 1



Algorithme 2

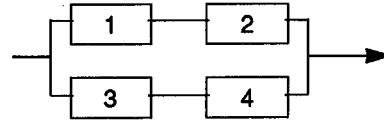


Algorithme 3



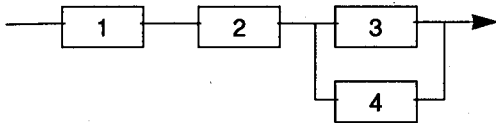
CDE→CHO→PCS
3 RV2

Algorithme 8



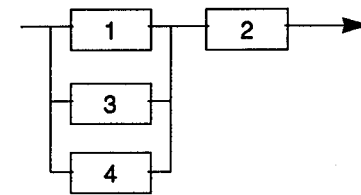
CDE→CHO
8 PCS→RV2

Algorithme 4



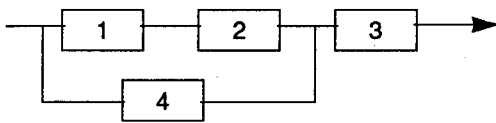
CDE→CHO→PCS
4 RV2

Algorithme 9



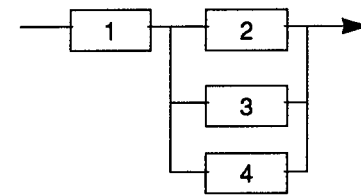
--CDE--→CHO
9 PCS/RV2

Algorithme 5



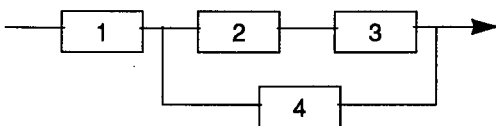
CDE→CHO→PCS
5 →RV2→

Algorithme 10



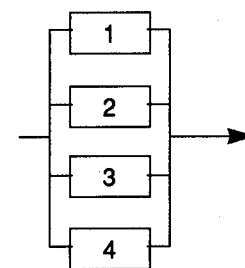
CDE--→CHO→
10 PCS/RV2

Algorithme 6



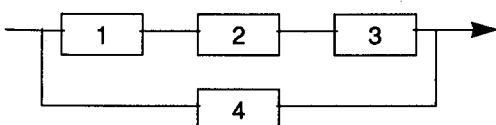
CDE→CHO→PCS
6 →RV2→

Algorithme 11



----→CDE----→
11 CHO/PCS/RV2

Algorithme 7

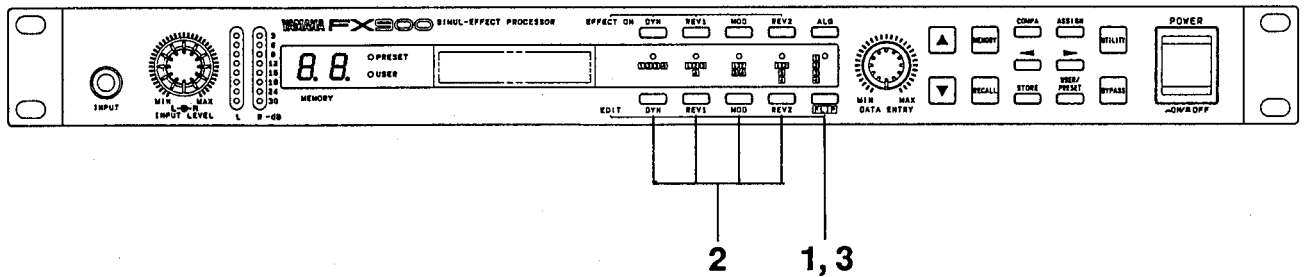


CDE→CHO→PCS
7 ----→RV2----→

■ Permutation et assignation d'effets

A partir du mode assignation d'algorithmes (lorsque la touche [ALG] est éclairée), vous pouvez ré-arranger la position des groupes d'effets dans les quatre blocs de l'algorithme en utilisant la fonction "FLIP" et en assignant des effets spécifiques de chaque groupe.

● Permutation des groupes d'effets



1. Appuyez sur la touche [FLIP] de manière à ce qu'elle s'éclaire (la touche [ALG] s'éclaire également si elle n'était pas déjà éclairée). Dans cet exemple, nous allons permuter les positions des effets PCS (groupe REV1) et RV2 (groupe REV2).

3	CDE→CHO→PCS
	RV2

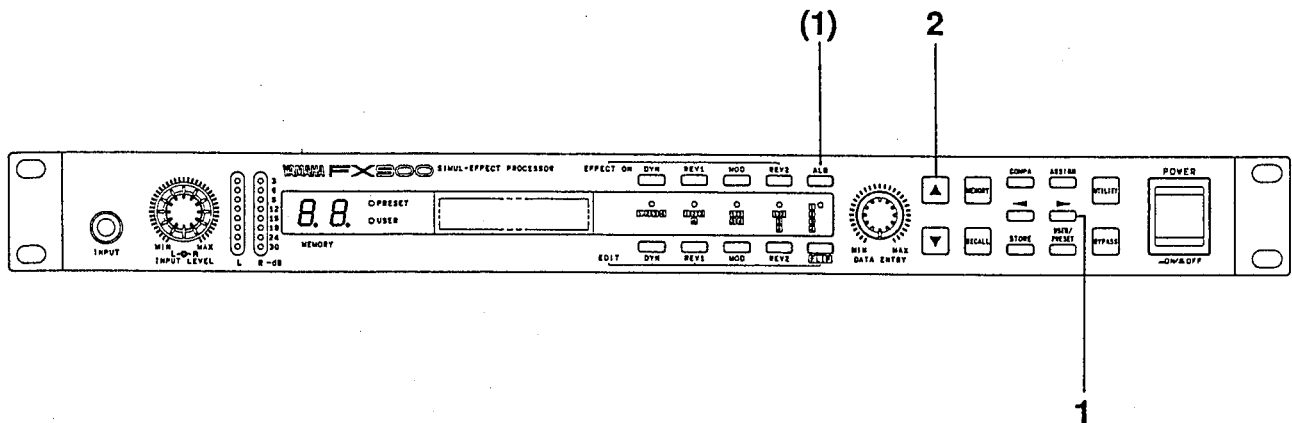
3. Appuyez à nouveau sur la touche [FLIP] et les positions des deux effets sélectionnés seront inversées. La touche [FLIP] s'éteint également.

3	CDE→CHO→RV2
	PCS

2. Appuyez sur les touches EDIT correspondant aux groupes d'effets que vous voulez permuter - [REV1] et [REV2] dans ce cas. Les noms des effets correspondant aux deux groupes d'effets sélectionnés clignotent en alternance sur l'écran.

3	CDE-CHO-PCS-
	RV2-1

● Assignment d'effets



1. A partir du mode sélection d'algorithme (lorsque la touche [ALG] est éclairée), utilisé les touches du curseur [◀] et [▶] pour placer le trait du curseur sous l'effet que vous souhaitez modifier.
2. Utilisez la commande [DATA ENTRY] ou les touches [▲] et [▼] pour sélectionner l'effet désiré.

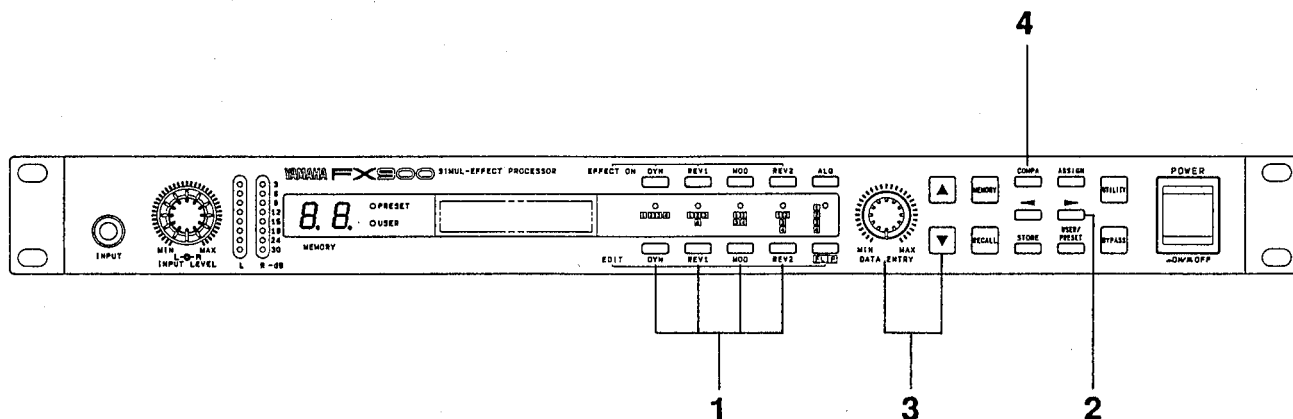
Voici de nouveau la liste des effets disponibles dans chaque groupe avec leurs abréviations de trois lettres.

Groupe	Effet	Description
DYN	CDE	Compressor/distortion/equalizer
	CMP	Dual compressor*
	ENH	Dual enhancer
	WAH	Stereo wah*
	PEQ	Dual parametric equalizer
	MBD	Multi-band distortion
	CDW	Compressor/distortion/equalizer/wah
	DST	Stereo distortion/equalizer
REV1	PCM	Mono pitch change
	PCS	Stereo pitch change
	RV1	Reverb 1
	ER1	Early reflections 1
	DL1	Mono delay 1
	EC1	Echo (stereo delay) 1
	MD1	Modulation delay 1
	MT1	Multi tap delay 1
MOD	CHO	Chorus
	FLG	Flanger
	SYM	Symphonic
	TRM	Tremolo
	PAN	Round pan
REV2	RV2	Reverb 2
	ER2	Early reflections 2
	DL2	Mono delay 2
	EC2	Echo (stereo delay) 2
	MT2	Multi tap delay 2
	R+D	Reverb + delay 2

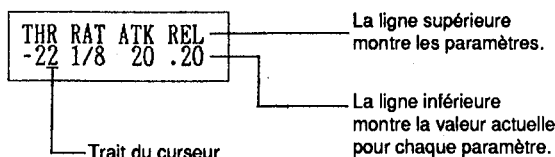
* Les programmes "Dual" possèdent des paramètres séparés pour les voies stéréo gauche et droite, tandis que les programmes "Stéréo" possèdent un seul jeu de paramètres pour les deux voies.

■ Accès aux paramètres et édition

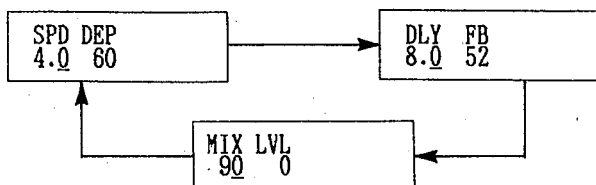
Le mode EDIT de l'FX900 donne accès à plusieurs paramètres importants pour chaque effet, vous permettant ainsi de changer fondamentalement le son de chaque effet en fonction de vos exigences spécifiques. Lorsque les paramètres des différents effets ont été programmés et ajustés de manière à fournir exactement le son souhaité, le programme d'effets entier peut être mémorisé dans l'un des emplacements de mémoire USER de l'FX900 pour pouvoir être rappelé et utilisé par la suite.



1. On accède au mode édition en appuyant sur la touche EDIT correspondant au groupe d'effets contenant les effets à éditer - [DYN], [REV1], [MOD] ou [REV2]. Les abréviations de paramètres sont affichées sur la ligne supérieure de l'écran à cristaux liquides, et les valeurs des données correspondantes sont indiquées sur la ligne inférieure (les différents paramètres sont décrits en détail dans les sections suivantes).



2. Utilisez les touches [◀] et [▶] pour déplacer le curseur sous le paramètre à éditer. Pour la plupart des effets, deux ou trois écrans de paramètres sont nécessaires, aussi l'écran suivant apparaît-il lorsque le curseur passe le dernier paramètre de chaque écran. Le premier écran ré-apparaît après le dernier paramètre du dernier écran. Il est également possible de parcourir les différents écrans de paramètres en appuyant de façon répétée sur la touche EDIT actuellement éclairée. L'effet "Modulation stage flanger", par exemple, a les trois écrans de paramètres suivants:

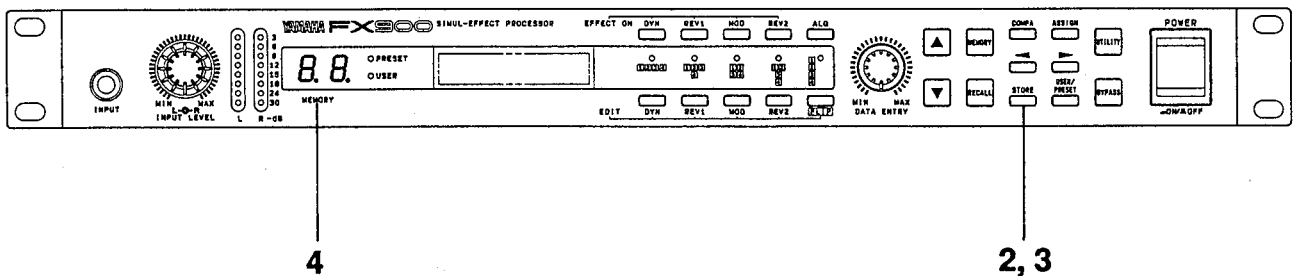
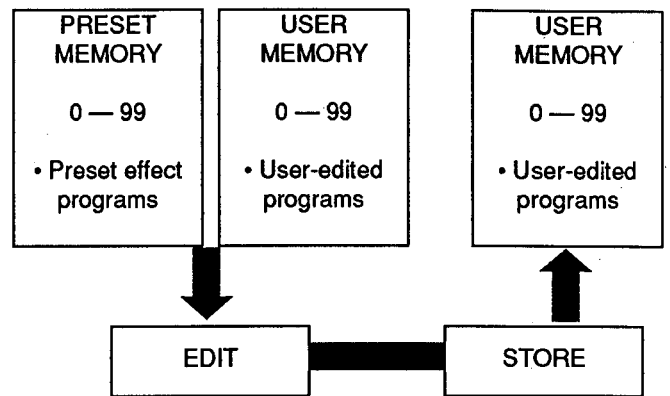


3. Utilisez la commande [DATA ENTRY] ou les touches [▲] et [▼] pour ajuster la valeur du paramètre sélectionné. Si vous maintenez la touche [▲] ou [▼] enfoncée, les données défilent de façon continue dans la direction spécifiée. Les données sont parcourues plus rapidement si vous appuyez sur la touche fléchée opposée tout en maintenant la touche [▲] ou [▼] enfoncée.
4. Le son du programme d'effets édité peut être comparé avec le son du programme avant édition en appuyant sur la touche [COMPA]. Lorsque la touche [COMPA] est éclairée, le programme pré-édité est actif. Appuyez à nouveau sur la touche [COMPA] de manière à éteindre son voyant pour revenir au programme en cours d'édition.

REMARQUE: Pour éviter la perte accidentelle de données éditées, l'FX900 répond par un message de demande de confirmation "RECALL OK?", si vous appuyez sur la touche [RECALL] pendant l'édition. Si vous avez réellement l'intention de rappeler l'effet original (pré-édité) et retourner au mode MEMORY, appuyez une seconde fois sur la touche [RECALL]. Si vous ne souhaitez pas effectuer le rappel, appuyez simplement sur une autre touche que la touche [RECALL].

■ Mémorisation

Un programme d'effets édité peut être mémorisé dans l'un des emplacements de mémoire (0 à 99) dans la zone réservée aux programmes de l'utilisateur (RAM). Les programmes d'effets originaux ainsi mémorisés peuvent être sélectionnés et utilisés exactement de la même manière que les programmes d'effets pré-sélectionnés. Le statut actif/inactif de chaque effet, l'algorithme sélectionné et les assignations d'effets sont mémorisées en même temps que toutes les autres données de paramètres. La fonction TITLE EDIT du mode UTILITY peut être utilisée pour créer de nouveaux titres pour vos programmes d'effets originaux, une fois que vous les avez mémorisés.



1. Après avoir édité les paramètres pour créer l'effet souhaité, sélectionnez le mode MEMORY et sélectionnez l'emplacement de mémoire USER (0 à 99) dans lequel vous souhaitez mémoriser les données éditées (n'appuyez pas sur la touche [RECALL]).

2. Appuyez sur la touche [STORE].

STORE OK ?
PRE: 1 → USR:12

Dans cet exemple, une version éditée du programme PRESET 1 est mémorisée dans l'emplacement de mémoire USER 12.

3. Appuyez à nouveau sur la touche [STORE]. L'affichage suivant apparaît pendant quelques secondes tandis que l'opération de mémorisation est en cours. Si vous décidez de ne pas poursuivre, appuyez simplement sur une autre touche que la touche [STORE].

MEMORY STORE
PRE: 1 → USR:12

4. Lorsque l'opération de mémorisation est terminée, l'emplacement de mémoire dans lequel la mise en mémoire a été effectuée est automatiquement sélectionné (l'affichage du numéro de mémoire s'arrête de clignoter.)

5. Utilisez la fonction TITLE EDIT du mode UTILITY pour donner un nom à votre programme original. La fonction TITLE EDIT est décrite en détails à la page 94.

REMARQUE: Si vous essayez d'utiliser la fonction STORE lorsqu'un emplacement ROM est sélectionné, l'affichage suivant apparaît et l'opération de mémorisation est annulée.

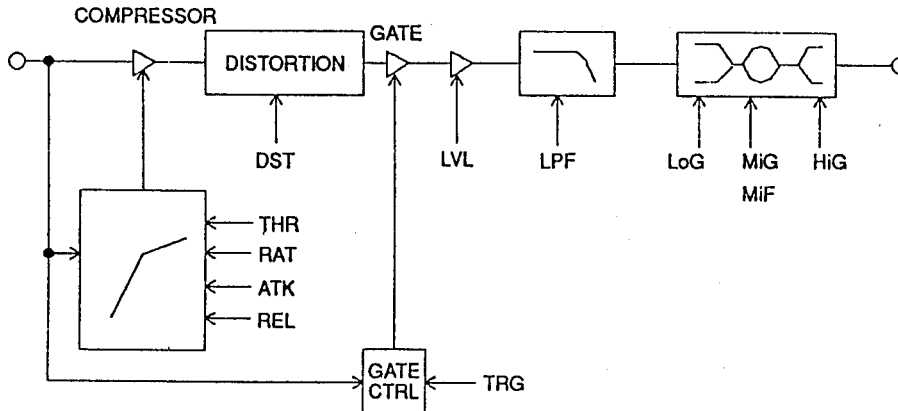
* CANNOT STORE *
PRESET AREA

7. Les effets et leurs paramètres

■ Groupe DYN (dynamique)

● CDE — Compressor/Distortion/Equalizer

Cet effet combine des effets de compression, distorsion et égalisation à trois bandes en un même étage d'effet.



THR	RAT	ATK	REL
-20	1/∞	5.0	.20

DST	TRG	LPF	LVL
150	-45	THRU	-10

LoG	MiG	MiF	HiG
-7	+2	2.2k	0

ATK (Attack: 1.0 — 20 mS)

Détermine le temps écoulé entre le moment où le signal entré est détecté et celui où la compression commence. Des valeurs plus élevées produisent un temps d'attaque plus long, ce qui a pour effet de laisser passer une portion plus importante de l'attaque naturelle du signal entré. Ce paramètre est particulièrement efficace pour conserver une attaque nette lorsqu'on augmente le "sustain".

REL (Release: 0.01 — 2.0 sec)

Détermine le temps nécessaire pour que la compression soit complètement relâchée après que le signal d'entrée est tombé en dessous du niveau de seuil. Ce paramètre peut être utilisé pour éliminer les variations de niveau peu naturelles qui peuvent se manifester si la compression est soudainement relâchée en dessous du seuil.

Compressor

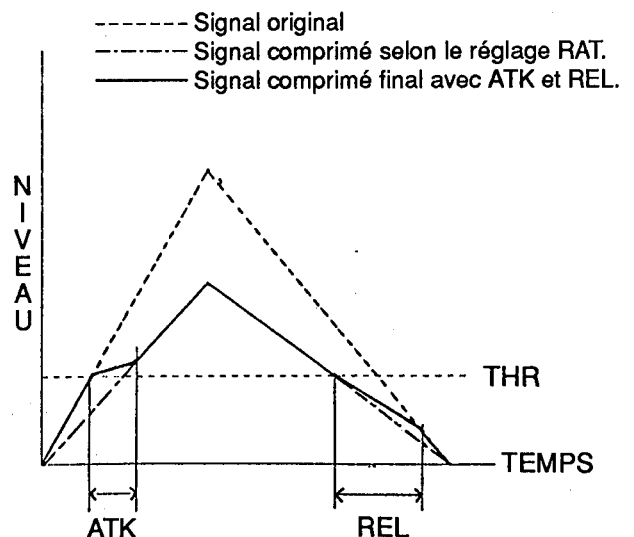
La compression produit un effet de maintien ("sustain") ou une simple "régularisation" du son en comprimant le signal de manière à supprimer les niveaux élevés tandis que les niveaux bas sont considérablement amplifiés. L'utilisation de la compression avant tout autre étage d'effet est particulièrement efficace car elle limite le signal à une plage dynamique produisant le meilleur son avec les effets en aval.

THR (Threshold: -42 — 0 dB)

Fixe le niveau de seuil de la compression. Les niveaux de signal qui dépassent le niveau de seuil sont comprimés tandis que les niveaux en dessous du seuil ne sont pas affectés.

RAT (Ratio: 1/2, 1/3, 1/4, 1/6, 1/8, 1/∞)

Ce paramètre fixe le degré de compression. Un taux de compression de 1/2, par exemple, comprime les signaux au dessus du niveau de seuil à la moitié de leur amplitude originale. Un réglage de 1/[a] produit une compression presque totale, ce qui produit le même niveau pour tous les signaux au-dessus du niveau de seuil et donc le plus grand degré de ("sustain")



Distortion

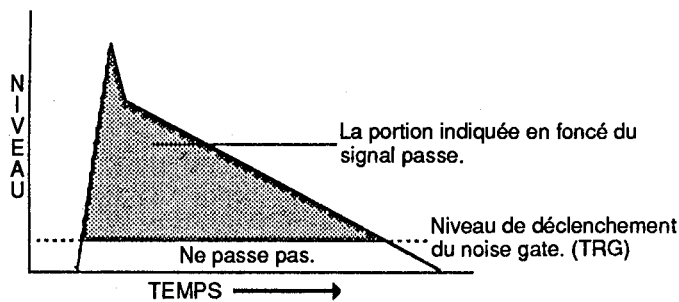
L'étage Distorsion CDE produit numériquement une distorsion riche et régulière qui peut être ajustée pour obtenir une très large gamme d'effets. En plus d'un contrôle total sur le degré de distorsion produit, cet effet présente également une fonction noise gate incorporée avec niveau de déclenchement réglable pour bloquer efficacement les bruits indésirables.

DST (Distortion Drive Level: 0 — 200)

Fixe le degré de distorsion produite. Plus la valeur est élevée, plus il y a de distorsion.

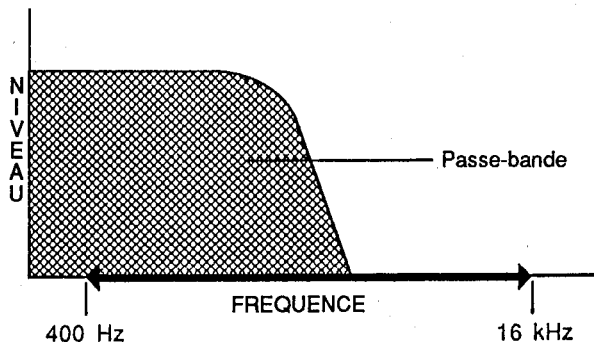
TGR (Noise Gate Trigger Level: -80 — -30 dB)

Fixe le niveau de seuil du noise gate de l'étage d'effet distorsion. Les signaux en dessous du niveau de seuil sont supprimés, ce qui a pour effet de réduire le bruit. Attention: des niveaux TRG trop élevés peuvent entraîner des coupures de note peu naturelles.



LPF (Low Pass Filter Cutoff Frequency: 500 Hz — 16 kHz, THRU)

Contrôle la tonalité du son de distorsion. Lorsque ce paramètre est réglé sur 500 Hz, seuls les signaux en dessous de 500 Hz peuvent passer, ce qui produit un son de basse profond. A mesure que la fréquence LPF augmente, une portion plus importante de la gamme de fréquences totale peut passer. Lorsque ce paramètre est réglé sur THRU, le filtre passe-bas est désactivé et ne produit donc aucun effet.

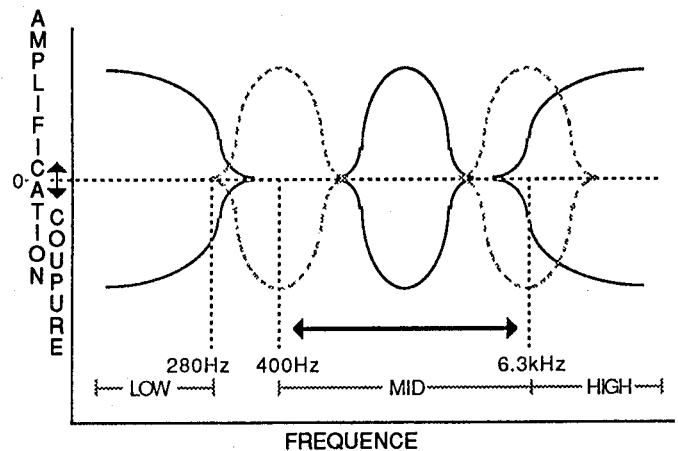


LVL (Output Level: -∞, -30 — +6 dB)

Détermine le niveau de sortie de l'effet CDE. La sortie d'effet peut être désactivée en réglant ce paramètre sur [-∞]. Ceci signifie, cependant, que l'étage suivant ne recevra pas de signal non plus et ne produira donc aucun effet. Utilisez la touche EFFECT ON appropriée du panneau avant pour contourner l'effet si nécessaire.

Equalizer

L'effet CDE présente une égalisation à trois bandes permettant un contrôle tonal en profondeur. Il est possible d'appliquer jusqu'à 15 dB d'amplification ou de coupure aux bandes inférieure, intermédiaire et supérieure et la fréquence-pivot de la bande intermédiaire peut être ajustée entre 400 Hz et 6.3 kHz.



LoG (Low Gain: -15 — +15 dB)

Fixe l'intensité d'amplification ou de coupure appliquée aux fréquences en dessous de 280 Hz. Un réglage de +0 ne produit aucune amplification ou coupure. Les valeurs négatives produisent une coupure et les valeurs positives, une amplification.

MiG (Mid Gain: -15 — +15 dB)

Fixe l'intensité d'amplification ou de coupure appliquée à la bande de fréquences intermédiaire. Un réglage de +0 ne produit aucune amplification ou coupure. Les valeurs négatives produisent une coupure et les valeurs positives, une amplification.

MiF (Mid Frequency: 400 — 6.3 kHz)

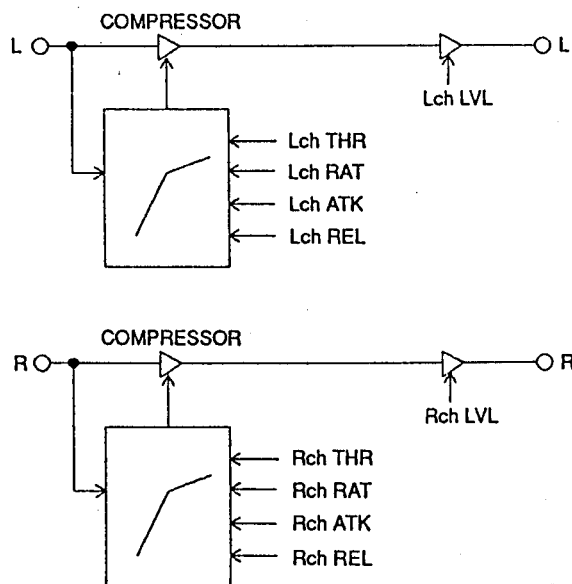
Fixe la fréquence centrale de la bande d'égalisation intermédiaire.

HiG (High Gain: -15 — +15 dB)

Fixe l'intensité d'amplification ou de coupure appliquée aux fréquences au-dessus de 6.3 kHz. Un réglage de +0 ne produit aucune amplification ou coupure. Les valeurs négatives produisent une coupure et les valeurs positives, une amplification.

● CMP — Dual compressor

Ceci constitue un étage de compression extrêmement souple avec réglages indépendants pour les voies gauche et droite.



Lch THR	RAT	ATK
-20	1/∞	5.0

Lch REL	LVL
.20	-10

Rch THR	RAT	ATK
-20	1/∞	5.0

Rch REL	LVL
.20	-10

Lch LVL (Left Channel Output Level: -∞, -30 — +6 dB)
Fixe le niveau de sortie, sur la voie gauche, de l'effet CMP.

* Les mêmes paramètres existent pour la voie droite (Rch).

Lch THR (Left Channel Threshold: -36 — 0 dB)

Fixe le niveau de seuil de compression de la voie gauche.
Voir page 71.

Lch RAT (Left Channel Ratio: 1/2, 1/3, 1/4, 1/6, 1/8, 1/∞)

Ce paramètre fixe le degré de compression de la voie gauche. Voir page 71.

Lch ATK (Left Channel Attack: 1.0 — 20 mS)

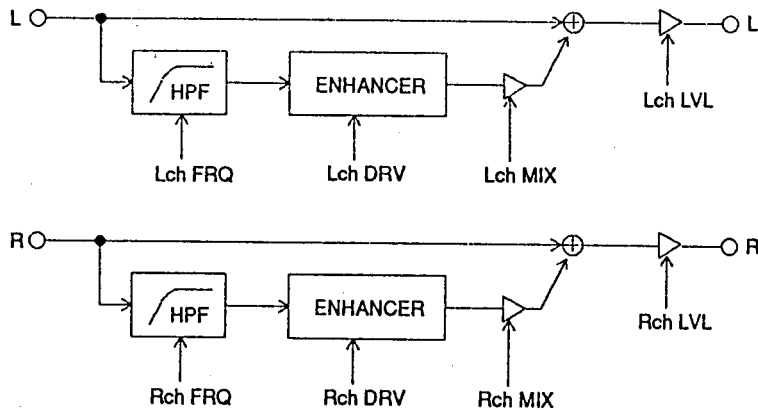
Détermine le temps écoulé entre le moment où le signal entré est détecté et le moment où la compression commence sur la voie gauche. Voir page 71.

Lch REL (Left Channel Release: 0.01 — 2.0 sec)

Détermine le temps nécessaire pour que la compression sur la voie gauche soit complètement relâchée après que le signal entré est tombé en dessous du niveau de seuil. Voir page 71.

● ENH — Dual Enhancer

Ce programme ajoute artificiellement des harmoniques au signal entré, afin de lui donner du relief et de ramener à l'avant-plan les sons "fondus".



Lch	FRQ	DRV	MIX
	700	60	25

Rch	FRQ	DRV	MIX
	700	60	25

Lch LVL	Rch LVL
-6	-6

Lch FRQ (Left Channel High Pass Frequency: 400 Hz — 10.0 kHz)

Détermine la fréquence de coupure du filtre passe-haut de la voie gauche. Ce paramètre permet de spécifier la plage de fréquences affectée par l'effet enhancer - c'est-à-dire que seules les fréquences au-dessus de la fréquence de coupure seront "mises en relief".

Lch DRV (Left Channel Drive: 0 — 100)

Fixe le niveau des harmoniques ajoutées au signal entré sur la voie gauche. Plus la valeur est élevée, plus l'effet est marqué.

Lch MIX (Left Channel Mix: 0 — 50%)

Fixe l'équilibre (balance) entre le son entré direct et les harmoniques appliquées. Un réglage de "0" produit seulement le son direct.

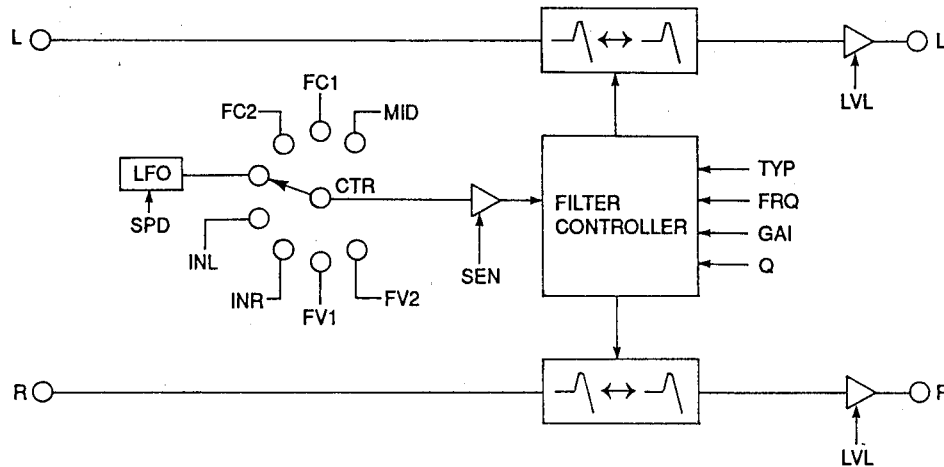
Lch LVL (Left Channel Output Level: $-\infty$, -30 — +6 dB)

Fixe le niveau de sortie, sur la voie gauche, de l'effet ENH.

* Les paramètres ci-dessus existent également pour la voie droite (Rch).

● WAH — Stereo wah

Cet effet wah-wah stéréo entièrement programmable peut être contrôlé par le niveau du signal entré, un LFO (oscillateur basse fréquence), un contrôleur à pied ou des données de changement de commande MIDI.



TYP	FRQ	GAI	Q
PEK	250	0	2.8

SEN	CTR	SPD	LVL
5	AUT	7.5	0

TYP (Filter Type: PEK, LPF, HPF, BPF)

Sélectionne le type de réponse du filtre utilisé pour produire l'effet wah-wah — PEK = peaking (crête), LPF = filtre passe-bas, HPF = filtre passe-haut, BPF = filtre passe-bande.

FRQ (Frequency: 40 Hz — 8 kHz)

Fixe la fréquence de base autour de laquelle le balayage du filtre wah-wah se produit — c'est-à-dire soit la fréquence de coupure, soit la fréquence-pivot du type de filtre sélectionné.

GAIN (Gain: -18 — +18 dB)

Ce paramètre n'est disponible que lorsque le type de filtre "PEK" est sélectionné pour le paramètre "TYP". Il fixe le gain de la crête du filtre — les valeurs négatives produisent une réponse en forme de gorge tandis que les valeurs positives produisent une réponse de crête normale.

Q (Quality Factor: 0.50 — 10)

Lorsque le paramètre TYP, ci-dessus, est réglé sur "PEK" ou "BPF", ce paramètre règle la largeur de bande ou bande passante de la crête. Lorsque TYP est réglé sur "LPF" ou "HPF", le paramètre Q contrôle la résonance (une crête à la fréquence de coupure du filtre). Plus la valeur est élevée, plus la bande est étroite et plus la résonance est élevée.

SEN (Sensitivity: 0 — 10)

Détermine la sensibilité de l'effet wah-wah. Plus la valeur est élevée, plus le balayage de fréquences est large.

CTR (Controller: LFO, INL, INR, FV1, FV2, MID, FC1, FC2)

Sélectionne le mode de contrôle pour l'effet wah-wah:
LFO — L'oscillateur basse-fréquence interne de l'FX900 contrôle l'effet wah-wah.

INL — L'effet wah-wah est contrôlé par le niveau du signal entré sur la voie gauche. Plus le niveau d'entrée est élevé, plus le balayage est large.

INR — L'effet wah-wah est contrôlé par le niveau du signal entré sur la voie droite. Plus le niveau d'entrée est élevé, plus le balayage est large.

FV1 — Un contrôleur au pied FC7 Yamaha disponible en option branché dans la prise FOOT VOL1 du panneau arrière contrôle l'effet wah-wah.

FV2 — Un contrôleur au pied FC7 Yamaha disponible en option branché dans la prise FOOT VOL2 du panneau arrière contrôle l'effet wah-wah.

FC1 — Un contrôleur au pied FC7 Yamaha disponible en option branché dans la prise FOOT CONTROL 1 du contrôleur au pied FC900 disponible en option contrôle l'effet wah-wah.

FC2 — Un contrôleur au pied FC7 Yamaha disponible en option branché dans la prise FOOT CONTROL 2 du contrôleur au pied FC900 disponible en option contrôle l'effet wah-wah.

MID — Les données de contrôleur au pied reçues via MIDI (commande n°4) contrôlent le balayage de l'effet wah-wah.

SPD (Vitesse de modulation: 0.1 Hz — 10 Hz)

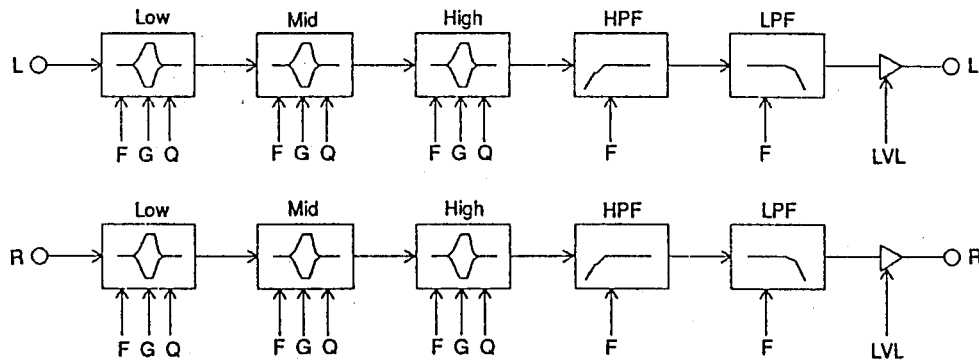
Fixe la vitesse de l'oscillateur basse fréquence interne — effectif lorsque le contrôle par le LFO est sélectionné au paramètre CTR ci-dessus.

LVL (Output Level: -∞, -30 — +6 dB)

Fixe le niveau de sortie de l'effet WAH.

● PEQ — Dual Parametric Equalizer

Un égaliseur paramétrique à trois bandes avec réglages gauche-droite indépendants.



Lch LoG LoQ LoF
-7 1.0 140

Rch LoG LoQ LoF
-7 1.0 140

Lch MiG MiQ MiF
+2 10 2.8k

Rch MiG MiQ MiF
+2 10 2.8k

Lch HiG HiQ HiF
0 3.2 7.0k

Rch HiG HiQ HiF
0 3.2 7.0k

Lch HPF LPF LVL
THRU THRU 0

Rch HPF LPF LVL
THRU THRU 0

Lch LoG (Left Channel Low Gain: -15 — +15 dB)

Fixe l'intensité de l'amplification ou coupeure appliquée aux fréquences de la bande inférieure. Un réglage de +0 ne produit aucune amplification ou coupeure. Les valeurs négatives produisent une coupeure et les valeurs positives, une amplification.

Lch LoQ (Left channel Low Quality Factor: 0.10 — 10)

Fixe la largeur de bande de la banque d'égalisation inférieure. Plus la valeur est élevée, plus la bande est étroite.

Lch LoF (Left Channel Low Frequency: 40 Hz — 1.0 kHz)

Fixe la fréquence-pivot pour la bande d'égalisation inférieure.

Lch MiG (Left Channel Mid Gain: -15 — +15 dB)

Fixe l'intensité d'amplification ou de coupeure appliquée aux fréquences de la bande intermédiaire.

Lch MiQ (Left Channel Mid Quality Factor: 0.10 — 10)

Fixe la largeur de bande de la bande d'égalisation intermédiaire. Plus la valeur est élevée, plus la bande est étroite.

Lch MiF (Left Channel Mid Frequency: 250 Hz — 4.0 kHz)

Fixe la fréquence-pivot pour la banque d'égalisation intermédiaire.

Lch HiG (Left Channel High Gain: -15 — +15 dB)

Fixe l'intensité d'amplification ou de coupeure appliquée aux fréquences de la bande supérieure.

Lch HiQ (Left Channel High Quality Factor: 0.10 — 10)

Fixe la largeur de la bande d'égalisation supérieure. Plus la valeur est élevée, plus la bande est étroite.

Lch HiF (Left Channel High Frequency: 0.1 kHz — 16 kHz)

Fixe la fréquence-pivot de la bande d'égalisation supérieure.

Lch HPF (Left Channel High Pass Frequency: THRU, 20 Hz — 1.0 kHz)

Fixe la fréquence de coupeure du filtre passe-haut de la voie gauche. Le réglage "THRU" produit un contournement du filtre.

Lch LPF (Left Channel Low Pass Frequency: 1.0 kHz — 16 kHz, THRU)

Fixe la fréquence de coupeure du filtre passe-bas pour la voie gauche. Le réglage "THRU" produit un contournement du filtre.

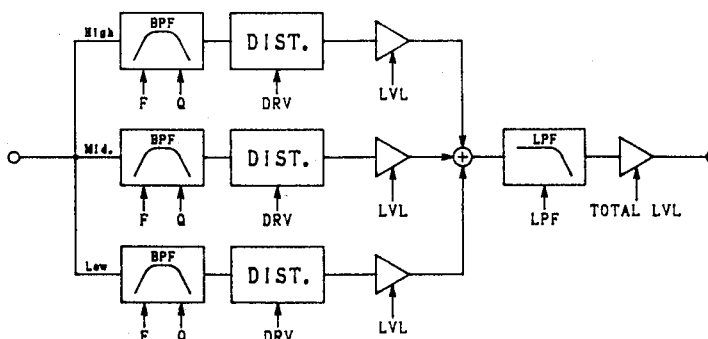
Lch LVL (Left Channel Output Level: ∞, -30 — +6 dB)

Fixe le niveau de sortie de l'effet PEQ pour la voie gauche.

* Les paramètres ci-dessus existent également pour la voie droite (Rch).

● MBD — Multi-band Distortion

Cet effet permet d'appliquer indépendamment de la distortion à trois bandes de fréquences séparées et permet donc un contrôle extraordinaire de la distortion.



Lo-F	Q	DRV	LVL
100	.70	20	0

Mi-F	Q	DRV	LVL
1.0k	.70	60	0

Hi-F	Q	DRV	LVL
10k	.70	70	0

LPF	TOTAL LVL
9.0k	-10

Lo-F (Low Distortion Frequency: 80Hz — 800Hz)

Fixe la fréquence-pivot pour la bande de distortion inférieure.

Lo-Q (Low Distortion Quality Factor: 0.10 — 10)

Fixe la largeur de bande de la bande de distortion inférieure. Plus la valeur est élevée, plus la bande est étroite.

Lo-DRV (Low Distortion Drive: 0 — 200)

Fixe le degré de distortion dans la bande inférieure. Plus la valeur est élevée, plus il y a de distortion.

Lo-LVL (Low Distortion Output Level: -30 — +6 dB)

Fixe le niveau de sortie pour la bande de distortion inférieure. Ce paramètre doit être utilisé en conjonction avec les paramètres Mi-LVL et Hi-LVL pour produire la mélange requis entre les bandes de distortion.

Mi-F (Mid Distortion Frequency: 250Hz — 2.5 kHz)

Fixe la fréquence-pivot pour la bande de distortion intermédiaire.

Mi-Q (Mid Distortion Quality Factor: 0.10 — 10)

Fixe la largeur de bande de la bande de distortion intermédiaire. Plus la valeur est élevée, plus la bande est étroite.

Mi-DRV (Mid Distortion Drive: 0 — 200)

Fixe de degré de distortion produit dans la bande intermédiaire. Plus la valeur est élevée, plus il y a de distortion.

Mi-LVL (Mid distortion Output Level: -30 — +6 dB)

Fixe le niveau de sortie de la bande de distortion intermédiaire. Ce paramètre s'utilise en conjonction avec les paramètres Lo-LVL et Hi-LVL pour produire l'équilibre requis entre les bandes de distortion.

Hi-F (High Distortion Frequency: 800 Hz — 8.0 kHz)

Fixe la fréquence-pivot pour la bande de distortion supérieure.

Hi-Q (High Distortion Quality Factor: 0.10 — 10)

Fixe la largeur de bande de la bande de distortion supérieure. Plus la valeur est élevée, plus la bande est étroite.

Hi-DRV (High Distortion Drive: 0 — 200)

Fixe le degré de distortion produite dans la bande supérieure. Plus la valeur est élevée, plus il y a de distortion.

Hi-LVL (High Distortion Output Level: -30 — +6 dB)

Fixe le niveau de sortie de la bande de distortion supérieure. Ce paramètre s'utilise en conjonction avec les paramètres Lo-LVL et Mi-LVL pour produire l'équilibre requis entre les bandes de distortion.

LPF (Low Pass Filter Cutoff Frequency: 500 Hz — 16 kHz, THRU)

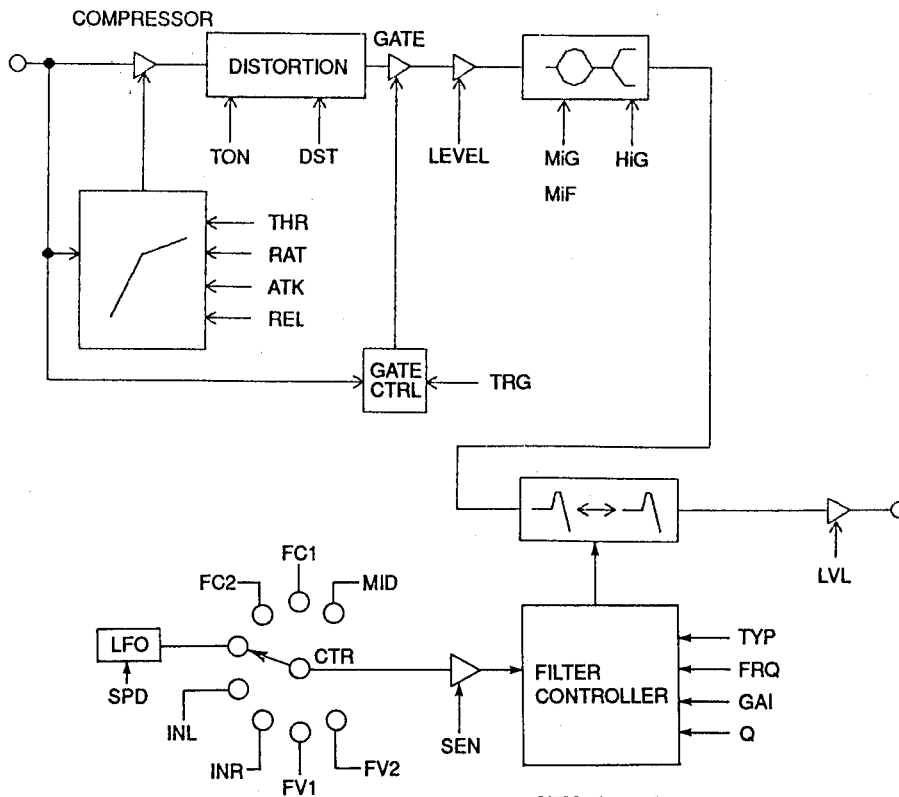
Contrôle la tonalité du son distordu. Voir page 72.

TOTAL LVL (Total Output Level: -∞, -30 — +6 dB)

Fixe le niveau de sortie global pour l'effet MBD.

● CDW — Compressor/Distortion/Equalizer/Wah

Cet étage d'effets offre un enchaînement de quatre effets indépendants — compression, distorsion, égalisation et wah-wah.



THR	RAT	ATK	REL
-20	1/∞	5.0	.20

DST	TRG	TON
100	-45	800

MiG	MiF	HiG
+2	2.2k	0

TYP	FRQ	GAI	Q
PEK	250	0	2.8

SEN	CTR	SPD	LVL
5	AUT	7.5	0

Compressor

THR (Threshold: -24 — 0 dB)

Fixe le niveau de seuil de la compression. Voir page 71.

RAT (Ratio: 1/2, 1/3, 1/4, 1/6, 1/8, 1/∞)

Ce paramètre fixe le degré de compression. Voir page 71.

ATK (Attack: 1.0 — 20 mS)

Détermine le temps écoulé entre le moment où le signal d'entrée est détecté et celui où la compression commence. Voir page 71.

REL (Release: 0.01 — 2.0 sec)

Détermine le temps nécessaire pour que la compression soit complètement relâchée après que le signal entré est tombé en dessous du niveau de seuil. Voir page 71.

Distortion

DST (Distortion Drive Level: 0 — 200)

Détermine le degré de distorsion produite. Plus la valeur est élevée, plus il y a de distorsion.

TRG (Noise Gate Trigger Level: -80 — -30 dB)

Fixe le niveau de seuil pour le noise gate de l'étage d'effet de distorsion. Voir page 72.

TON (Low Pass Filter Cutoff Frequency: 100 Hz — 8 kHz, THRU)

Contrôle la tonalité du son distordu.

Equalizer

MiG (Mid Gain: -15 — +15 dB)

Fixe l'intensité d'amplification ou de coupure appliquée aux fréquences de la bande intermédiaire.

MiF (Mid Frequency: 400 — 6.3 kHz)

Fixe la fréquence-pivot de la bande intermédiaire de l'égaliseur.

HiG (High Gain: -15 — +15 dB)

Fixe l'intensité d'amplification ou de coupure appliquée aux fréquences au-dessus de 6.3 kHz.

Wah

TYP (Filter Type: PEK, LPF, HPF, BPF)

Sélectionne le type de réponse de filtre utilisée pour produire l'effet wah-wah. Voir page 75.

FRQ (Frequency: 40Hz — 8 kHz)

Fixe la fréquence de base autour de laquelle se produit le balayage du filtre wah-wah - c'est-à-dire soit la fréquence de coupure, soit la fréquence-pivot du type de filtre sélectionné.

GAIN (Gain: -18 — +18 dB)

Ce paramètre n'est disponible que si le type de filtre "PEK" est sélectionné pour le paramètre "TYP". Il règle le gain de la crête du filtre - les valeurs négatives produisent une réponse en forme de gorge tandis que les valeurs positives produisent une réponse de crête normale.

Q (Quality Factor: 0.50 — 10)

Lorsque le paramètre TYP, ci-dessus, est réglé sur "PEK" ou "BPF", ce paramètre règle la largeur de bande de la crête ou bande passante. Lorsque TYP est réglé sur "LPF" ou "HPF", le paramètre Q contrôle la résonance (une crête à la fréquence de coupure du filtre). Plus la valeur est élevée, plus la bande est étroite ou plus il y a de résonance.

SEN (Sensitivity: 0 — 10)

Détermine la sensibilité de l'effet wah-wah. Plus la valeur est élevée, plus le balayage de fréquences est ample.

CTR (Controller: LFO, INL, INR, FV1, FV2, MID, FC1, FC2)

Sélectionne le mode de contrôle pour l'effet wah-wah. Voir page 75.

SPD (Modulation Speed: 0.1 Hz — 10 Hz)

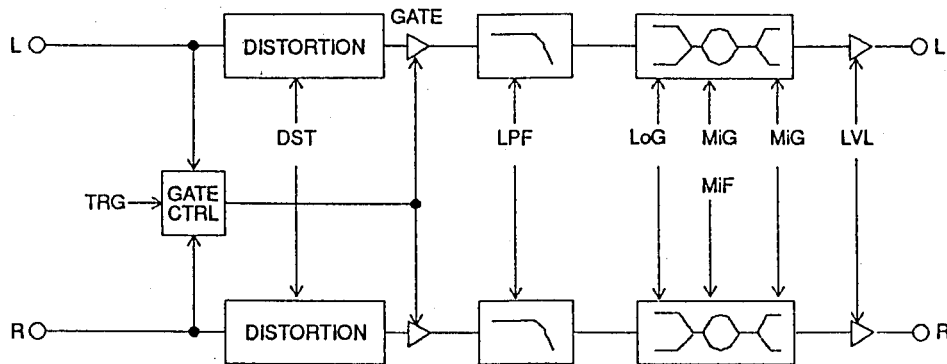
Fixe la vitesse de l'oscillateur basse fréquence interne — effectif lorsque l'option de contrôle LFO est sélectionnée pour le paramètre "CTR", ci-dessus.

LVL (Output Level: -∞, -30 — +6 dB)

Fixe le niveau de sortie de l'effet CDW.

● DST — Stereo Distortion/Equalizer

Si vous n'avez pas besoin de la compression des effets CDE et CDW, cet effet vous propose une combinaison de distorsion et d'égalisation.



DST	TRG	LPF	LVL
100	-45	7.0k	0

LoG	MiG	MiF	HiG
+2	-3	2.2k	0

HiG (High Gain: -15 — +15 dB)

Fixe l'intensité de l'amplification ou de la coupure appliquée aux fréquences au dessus de 6.3 kHz.

Distortion

DST (Distortion Drive Level: 0 — 200)

Fixe le degré de distorsion produite. Plus la valeur est élevée, plus il y a de distorsion.

TGR (Noise Gate Trigger Level: -80 — -30 dB)

Fixe le niveau de seuil pour le noise gate de l'étage d'effet de distorsion. Voir page 72.

LPF (Low Pass Filter Cutoff Frequency: 500 Hz — 16 kHz, THRU)

Contrôle la tonalité du son de distorsion. Voir page 72.

LVL (Output Level: -∞, -30 — +6 dB)

Détermine le niveau de sortie de l'effet DST.

Equalizer

LoG (Low Gain: -15 — +15 dB)

Fixe l'intensité de l'amplification ou de la coupure appliquée aux fréquences en dessous de 280 Hz. Voir page 72.

MiG (Mid Gain: -15 — +15 dB)

Fixe l'intensité de l'amplification ou de la coupure appliquée aux fréquences de la bande intermédiaire.

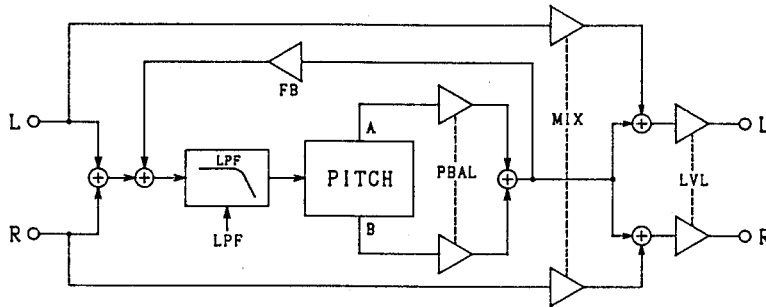
MiF (Mid Frequency: 400 — 6.3 kHz)

Fixe la fréquence-pivot de la bande d'égalisation moyenne.

■ GROUPE REV 1 (Reverb 1)

● PCM — Mono Pitch Change

PITCH CHANGE 1 permet de produire une sortie de deux notes indépendantes à hauteur décalée, en plus du signal direct, afin de produire des harmoniques à trois notes à partir d'une seule note entrée.



PCA	FINA	DLYA
+4	+8	1300.0

PCB	FINB	DLYB
+5	+8	325.0

PBAL	LPF	FB
A=B	THRU	+30

KEY	MIX	LVL
OFF	50	0

PCA (1st Pitch Shift: -12 — +12)

PCB (2nd Pitch Shift: -12 — +12)

Ces deux paramètres fixent la hauteur de la première et de la seconde notes à hauteur décalée entre une octave en dessous (-12) et une octave au-dessus (+12) de la note entrée.

FINA (1st Fine Tuning: -100 — +100)

FINB (2nd Fine Tuning: -100 — +100)

Permet d'accorder finement la première ou la seconde note décalée par incréments d'un centième de demi-ton.)

DLYA (1st Delay Time: 0.1 — 1300 ms)

DLYB (2nd Delay Time: 0.1 — 1300 ms)

Les paramètres DLYA et DLYB déterminent le temps de retard entre l'entrée du signal original et la sortie de la première ou de la seconde note décalée.

PBAL (Pitch Balance: A:50 — A=1, A=B, B=1 — B=50)

Fixe l'équilibre (la balance) entre la première et la seconde notes décalées. Un réglage de "A=50", par exemple, ne produit que le son de la première note. "A=B" produit le son des deux notes dans le même rapport. "B=50" produit seulement le son de la seconde note.

LPF (Low-pass Filter Cutoff Frequency: 1.0 kHz — 11 kHz, THRU)

Fixe la fréquence de coupure du filtre passe-bas. Le réglage "THRU" contourne le filtre.

FB (Feedback: -100 — +100%)

Lorsque ce paramètre est réglé sur 0, un seul son à hauteur décalée est produit après le temps de retard (DELAY). Lorsque la valeur de ce paramètre augmente, cependant, de plus en plus de répétitions retardées sont produites, chacune décalée en hauteur par rapport à la répétition précédente selon les réglages des paramètres PCA et PCB.

KEY (Base Key: OFF, C1 — C6)

Ce paramètre fixe la "touche de base" pour un synthétiseur MIDI externe utilisé pour contrôler l'ampleur du changement de hauteur produit (la borne MIDI OUT du synthétiseur doit être connectée à la borne MIDI IN de l'FX900 et l'FX900 doit être réglé pour recevoir sur le canal MIDI sur lequel le synthétiseur transmet). Si, par exemple, le paramètre KEY est réglé sur C4, une pression sur la touche C3 du synthétiseur (la touche C3 est située une octave plus bas que C4) fixera la valeur de changement de hauteur à -12. Une pression sur D4 sur le clavier produirait une élévation de hauteur d'un ton (+2).

Lorsque deux touches sont pressées, c'est la note la plus haute qui détermine la hauteur du son PCA (ou PCL dans le programme PCS) et la note la plus basse détermine la hauteur du son PCB (ou PCR dans le programme PCS). Si une touche située à plus d'une octave de la touche de base est pressée, le changement de hauteur résultant sera néanmoins ramené dans la page -12 à +12, comme illustré ci-dessous.

Si le paramètre KEY est réglé sur OFF, la hauteur ne peut être contrôlée via la borne MIDI IN.

MIX (Mixing: 0 — 100%)

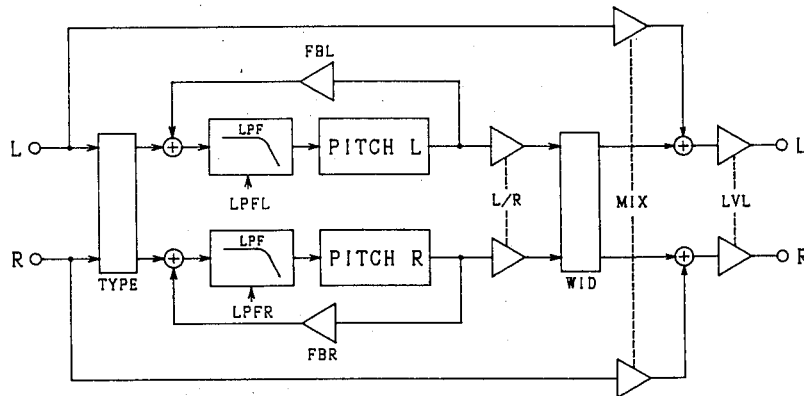
Fixe l'équilibre (la balance) entre le son direct et le son à hauteur décalée.

LVL (Output Level: -∞, -30 — +6dB)

Détermine le niveau de sortie de l'effet PCM.

● PCS — Stereo Pitch Change

Comme le programme PCM précédent, le programme PCS produit deux notes à hauteur décalée, mais celles-ci peuvent être produites de manière indépendante sur la voie gauche et la voie droite.



PCL FINL DLYL
+4 +8 650.0

PCR FINR DLYR
+5 +8 325.0

FBL LPFL
+30 THRU

FBR LPFR
+30 THRU

TYP L/R WID
ST L=R 10

KEY MIX LVL
OFF 50 0

PCL (1st Pitch Shift: -12 — +12)

PCR (2nd Pitch Shift: -12 — +12)

Ces deux paramètres fixent la hauteur de la note décalée de la voie gauche (PCL) ou de la voie droite (PCR) entre une octave en dessous (-12) et une octave au-dessus (+12) de la note entrée.

FINL (1st Fine Tuning: -100 — +100)

FINR (2nd Fine Tuning: -100 — +100)

Permet d'accorder finement la note décalée de la voie gauche ou de la voie droite par incréments d'un centième de demi-ton.

DLYL (1st Delay Time: 0.1 — 650.0 ms)

DLYR (2nd Delay Time: 0.1 — 650.0 ms)

Les paramètres DLYA et DLYB déterminent le temps de retard entre l'entrée de la note originale et la sortie de la note décalée sur la voie gauche ou la voie droite.

FBL (Left Channel Feedback: -100 — +100%)

FBR (Right Channel Feedback: -100 — +100%)

Lorsque l'un de ces paramètres est réglé sur 0, un seul son à

hauteur décalée est produit sur la voie gauche ou droite correspondante, après le temps de retard DELAY. A mesure que la valeur augmente, de plus en plus de répétitions retardées sont produites, chacune décalée par rapport à la précédente selon le réglage des paramètres PCL et PCR.

LPFL (Left Channel Low-pass Frequency: 1.0 kHz — 11 kHz, THRU)

LPFR (Right Channel Low-pass Frequency: 1.0 kHz — 11 kHz, THRU)

Fixe la fréquence de coupure du filtre passe-bas de la voie gauche ou de la voie droite. Le réglage "THRU" contourne le filtre.

TYPE (Input Mix Type: ST, MONO)

Détermine si les signaux entrés sur la voie gauche et sur la voie droite seront envoyés indépendamment aux circuits de traitement de signal (ST) de la voie gauche et de la voie droite ou mélangés avant d'être envoyés à l'effet (MONO).

L/R (Left/Right Balance: L50 — L1, L=R, R1 — R50)

Fixe l'équilibre (balance) entre les notes à hauteur décalée de la voie gauche et de la voie droite. Le réglage "L50", par exemple, produit seulement le son de la note de la voie gauche. "L=R" produit les deux voies dans le même rapport. "R50" produit seulement le son de la note de la voie droite.

WID (Width: 0 — 100)

Détermine la force de l'impression de "largeur" entre les voies gauche et droite. Plus la valeur est basse, plus les notes à hauteur décalée de la voie gauche et de la voie droite sont mélangées, ce qui réduit l'impression de largeur stéréo.

KEY (Base Key: OFF, C1 — C6)

Ce paramètre fixe la "touche de base" pour un synthétiseur MIDI externe utilisé pour contrôler l'ampleur du changement de hauteur produit. Voir l'effet précédent (PCM).

MIX (Mixing: 0 — 100%)

Fixe l'équilibre (balance) entre le son direct et le son à hauteur décalée.

LVL (Output Level: -∞, -30 — +6 dB)

Détermine le niveau de sortie de l'effet PCS.

● RV1 — Reverb 1

La réverbération est la "chaude" ambiance musicale que l'on ressent lorsqu'on écoute de la musique dans une salle de concert ou un autre environnement naturel.

TYP RVT HF Rhl 2.4 6

DLY TYP CutF 100.0 LPF THRU

MIX LVL 60 0

TYP (Reverb Type: Rhl, Rrm, Rvc, Rpl)

L'FX900 vous offre différents types de réverbération pour simuler les réverbérations que l'on rencontre dans une salle de concert (Rhl = Reverb Hall), dans une salle de dimensions plus modestes (Rrm = Reverb Room), un effet de réverbération idéal pour les voix (Rvc = Reverb Vocal) et une réverbération artificielle typique des réverbérateurs à plaques (Rpl = Reverb Plate).

RVT (Reverb Time: 0.3 — 40 S)

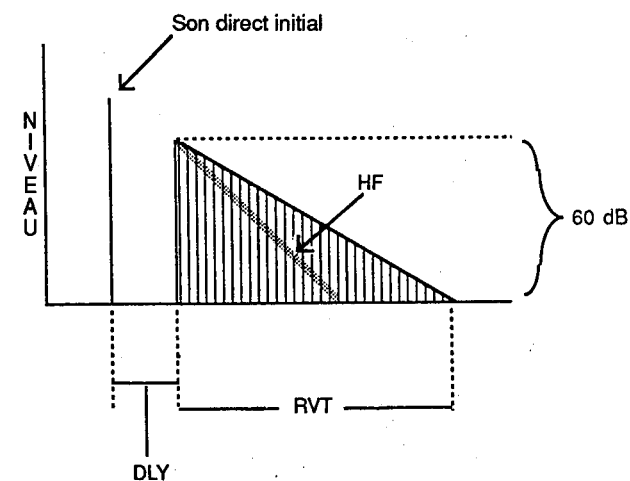
Spécifie le temps nécessaire pour que la réverbération tombe de 60 dB.

HF (High Frequency Reverb Time Ratio: 1 — 10)

Fixe la durée de réverbération des hautes fréquences par rapport au temps de réverbération global. Plus la valeur est élevée, plus la durée de réverbération des hautes fréquences est longue et se rapproche du temps de réverbération total.

DLY (Delay Time: 0.1 — 335.0 mS)

Fixe le temps de retard avant que le son de réverbération ne commence.



TYP (Filter Type: HPF, LPF)

Sélectionne le type de filtre à utiliser avec l'effet de réverbération: HPF = filtre passe-haut; LPF = filtre passe-bas. Veuillez remarquer que lorsque le réglage de ce paramètre est modifié, le paramètre "CutF", ci-dessous, est automatiquement réglé sur "THRU".

CutF (Filter Cutoff Frequency: THRU, 160 Hz — 1.0 kHz / 1.0 kHz — 11 kHz, THRU)

Fixe la fréquence de coupure du type de filtre sélectionné au paramètre précédent (TYP). Si HPF est sélectionné, la plage va de 160 Hz à 1.0 kHz. Si LPF est sélectionné, la plage va de 1.0 kHz à 11 kHz. Dans les deux cas, le réglage "THRU" contourne le filtre.

MIX (Mixing Balance: 0 — 100%)

Fixe l'équilibre (balance) entre le son direct et le son de l'effet. Les valeurs élevées produisent une plus grande proportion de son d'effet par rapport au son direct.

LVL (Output Level: -∞, -30 — +6dB)

Détermine le niveau de sortie de l'effet RV1.

● ER1 — Early Reflections 1

Ces effets sont créés en utilisant différents groupements de "réflexions primaires" - les premières réflexions produites juste après le son direct et avant que ne commencent les réflexions denses que l'on appelle réverbération.

TYP	RSZ	LIV
Eh1	3.4	4

DLY	HPF	LPP
30.0	THR	THR

MIX	LVL
60	0

TYP (Early Reflection Type: Eh1, Erd, Erv, EpL)

Le réglage "Eh1" sélectionne un groupement typique de réflexions primaires que l'on rencontre typiquement dans une salle de concert. "Erd" (Early Reflection Random) produit une série irrégulière de réflexions qui n'existe pas naturellement. "Erv" (Early Reflection Reverse) produit une série de réflexions qui augmentent en niveau (comme l'effet produit lorsqu'on passe à l'envers un enregistrement de réverbération. "EpL" (Early Reflection Plate) produit un groupement de réflexions typique d'une unité de réverbération à plaques.

RSZ (Room Size: 0.1 — 20)

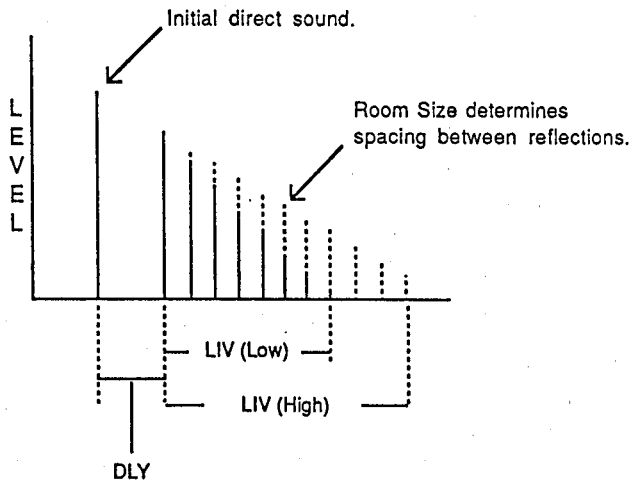
Détermine la séparation entre les réflexions. Les valeurs augmentent par incréments de 0.1 entre 0 et 10, puis par incréments de 1, à partir de 10. Plus la valeur est élevée, plus la séparation est grande entre les réflexions, ce qui contribue à donner l'impression d'une salle plus grande.

LIV (Liveness: 0 — 10)

Détermine la manière dont les réflexions primaires s'estompent. Plus la valeur est élevée et plus l'estompement est lent, ce qui donne l'impression d'une salle plus résonnante ("live").

DLY (Delay Time: 0.1 — 400.0 ms)

Détermine le temps de retard avant que le son des réflexions primaires ne commence.



HPF (High-pass Filter Cutoff Frequency: TRHU, 160 Hz — 1.0 kHz)

Fixe la fréquence de coupure du filtre passe-haut. Le réglage "THRU" contourne le filtre.

LFO (Low-pass Filter Cutoff Frequency: 1.0 kHz — 11 kHz, THRU)

Fixe la fréquence de coupure du filtre passe-bas. Le réglage "THRU" contourne le filtre.

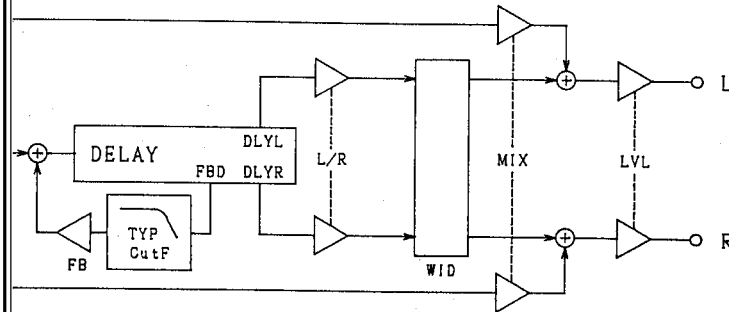
MIX (Mixing Balance: 0 — 100%)

Fixe l'équilibre (balance) entre le son direct et le son d'effet. Plus la valeur est élevée, plus la proportion d'effet est importante par rapport au son direct.

LVL (Output Level: -∞, -30 — +6dB)

Détermine le niveau de sortie de l'effet ER1.

é offre des retards variables et indépendants sur les voies gauche et droite.



CuF (Filter Cutoff Frequency: THRU, 160 Hz — 1.0 kHz / 1.0 kHz — 11 kHz, THRU)

Fixe la fréquence de coupure du type de filtre sélectionné dans le paramètre précédent (TYP). Si HPF est sélectionné, la plage va de 160 Hz à 1.0 kHz. Si LPF est sélectionné, la plage va de 1.0 kHz à 11 kHz. Dans les deux cas, le réglage "THRU" contourne le filtre.

L/R (Left/Right Delay Balance: L50 — L1, L=R, R1 — R50)

Fixe l'équilibre (balance) entre le son de retard de la voie gauche et de la voie droite. Un réglage de "L50", par exemple, ne produit que le son du retard de la voie gauche. "L=R" produit les deux sons dans des proportions égales. "R=50" ne produit que le son du retard de la voie droite.

MIX (Mixing Balance: 0 — 100%)

Fixe l'équilibre (balance) entre le son direct et le son d'effet. Plus la valeur est élevée, plus la proportion de son d'effet est importante par rapport au son direct.

LVL (Output Level: -∞, -30 — +6 dB)

Détermine le niveau de sortie de l'effet DL1.

.1 — 740.0 ms)

gauche.

0.1 — 740.0 ms)

droite.

- 740.0 ms)

le le feedback ne
un retard plus long avant
lativement courtes.

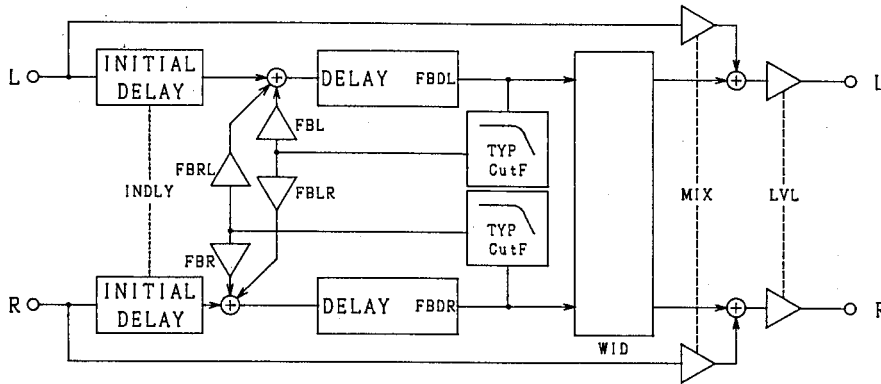
feedback renvoyé à
négatives produisent un
est élevée, plus il y a de

.PF)

back à utiliser avec l'effet
t; LPF = Filtre passe-bas.
glage de ce paramètre
dessus, est

● EC1 — Echo (Stereo Delay) 1

Bien que similaire au programme Mono Delay 1, the programme Echo (Stereo Delay) présente des réglages de feedback indépendants pour les voies gauche et droite.



FBDL	FBDR	TYP
180.0	90.0	LPF

CutF	FBL	FBR
THRU	+20	+20

FBLR	FBRL	INDLY
-30	+30	0.0

WID	MIX	LVL
10	60	0

FBDL (Left Channel Feedback Delay Time: 0.1 — 270.0 ms)
FBDR (Right Channel Feedback Delay Time: 0.1 — 270.0 ms)
 Ces paramètres règlent indépendamment le temps de retard avant que le feedback ne commence pour les voies gauche et droite.

TYP (Feedback Filter Type: HPF, LPF)
 Sélectionne le type de filtre de feedback à utiliser avec l'effet Echo (Stereo Delay): HPF = filtre passe-haut; LPF = filtre passe-bas. Veuillez remarquer que lorsque le réglage de ce paramètre est modifié, le paramètre "CutF", ci-dessous est automatiquement réglé sur "THRU".

CutF (Filter Cutoff Frequency: THRU, 160 Hz — 1.0 kHz / 1.0 kHz — 11 kHz, THRU)
 Fixe la fréquence de coupure du type de filtre sélectionné au paramètre précédent (TYP). Si HPL est sélectionné, la plage va de 160 Hz à 1.0 kHz. Si LPF est sélectionné, la plage va de 1.0 kHz à 11 kHz. Dans les deux cas, le réglage "THRU" contourne le filtre.

FBL (Left Channel Feedback: -100 — +100%)

FBR (Right Channel Feedback: -100 — +100%)

Détermine la portion de son d'effet renvoyée à l'entrée du processeur pour la voie gauche et la voie droite. Les valeurs négatives produisent un feedback déphasé. Plus la valeur est élevée, plus il y a de répétitions.

FBLR (Left Channel Cross Feedback: -100 — +100%)

FBRL (Right Channel Cross Feedback: -100 — +100%)

Le paramètre FBLR détermine la portion de son d'effet de la voie gauche renvoyée à l'entrée du processeur de la voie droite. Le paramètre FBRL fonctionne dans l'autre sens: sortie de la voie droite à entrée de la voie gauche.

INDLY (Initial Delay Time: 0.0 — 100 ms)

Fixe le temps de retard avant la première répétition.

MIX (Mixing Balance: 0 — 100%)

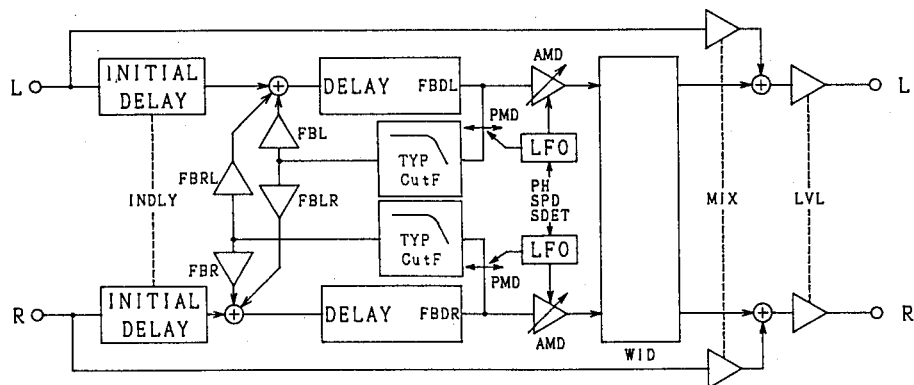
Fixe l'équilibre entre le son direct et le son d'effet. Plus la valeur est élevée, plus la proportion de son d'effet et importante par rapport au son direct.

LVL (Output Level: -∞, -30 — +6 dB)

Détermine le niveau de sortie de l'effet EC1.

● MD1 — Modulation Delay 1

Cet effet utilise la modulation du retard pour créer une gamme de sons modulés par la hauteur et l'amplitude.



FBDL	FBDR	TYP
180.0	90.0	LPP

CutF	FBL	FBR
THRU	+20	+20

FBLR	FBRL	INDLY
-30	+30	0.0

SPD	SDET
0.6	+6

PMD	AMD	PH
+90	+64	NOR

WID	MIX	LVL
8	60	0

FBDL (Left Channel Feedback Delay Time: 0.1 — 270.0 ms)

FBDR (Right Channel Feedback Delay Time: 0.1 — 270.0 ms)

Ces paramètres règlent indépendamment le temps de retard avant que le feedback ne commence pour les voies gauche et droite.

TYP (Feedback Filter Type: HPF, LPF)

Sélectionne le type de filtre de feedback à utiliser avec l'effet Echo (Stereo Delay): HPF = filtre passe-haut; LPF = filtre passe-bas. Veuillez remarquer que lorsque le réglage de ce paramètre est modifié, le paramètre "CutF", ci-dessous est automatiquement réglé sur "THRU".

CutF (Filter Cutoff Frequency: TRHU, 160 Hz — 1.0 kHz / 1.0 kHz — 11 kHz, THRU)

Fixe la fréquence de coupure du type de filtre sélectionné au paramètre précédent (TYP). Si HPL est sélectionné, la plage va de 160 Hz à 1.0 kHz. Si LPF est sélectionné, la plage va de 1.0 kHz à 11 kHz. Dans les deux cas, le réglage "THRU" contourne le filtre.

FBL (Left Channel Feedback: -100 — +100%)

FBR (Right Channel Feedback: -100 — +100%)

Détermine la portion de son d'effet renvoyée à l'entrée du processeur pour la voie gauche et la voie droite. Les valeurs négatives produisent un feedback déphasé. Plus la valeur est élevée, plus il y a de répétitions.

FBLR (Left Channel Cross Feedback: -100 — +100%)

FBRL (Right Channel Cross Feedback: -100 — +100%)

Le paramètre FBLR détermine la portion de son d'effet de la voie gauche renvoyée à l'entrée du processeur de la voie droite. Le paramètre FBRL fonctionne dans l'autre sens: sortie de la voie droite à entrée de la voie gauche.

INDLY (Initial Delay Time: 0.0 — 100 ms)

Fixe le temps de retard avant la première répétition.

SPD (Modulation Speed: 0.1 — 20 Hz)

Spécifie la vitesse de la modulation du retard.

SDET (Modulation Speed Detune: -20 — +20)

Ce paramètre permet de "désaccorder" la vitesse de modulation d'une voie par rapport à l'autre. Plus une valeur positive est élevée, plus la vitesse de la modulation de la voie gauche augmente. Les valeurs négatives ont l'effet opposé. La valeur "0" produit la même vitesse de modulation pour les deux voies.

PMD (Pitch Modulation Depth: -100 — +100)

Détermine la profondeur de la modulation de hauteur (vibrato) produite.

AMD (Amplitude Modulation Depth: -100 — +100)

Détermine la profondeur de la modulation d'amplitude (trémolo) produite.

PH (Left/Right Channel Phase: NOR, INV)

Spécifie la phase des LFO signaux de la voie gauche et de la voie droite comme normale (NOR: les deux voies ont la même phase) ou inversée (INV: les voies sont déphasées). Si le réglage "INV" est sélectionné et qu'une modulation d'amplitude relativement profonde est appliquée via le paramètre AMD, un effet "auto-pan" est produit.

WID (Width: 0 — 10)

Détermine la force de l'impression de "largeur" entre la voie gauche et la voie droite. Plus la valeur est basse et plus le son des voies gauche et droite est mélangé, ce qui réduit l'impression de largeur stéréo.

MIX (Mixing Balance: 0 — 100%)

Fixe l'équilibre (balance) entre le son direct et le son d'effet. Plus la valeur est élevée, plus la portion d'effet est importante par rapport au son direct.

LVL (Output Level: -∞, -30 — +6 dB)

Détermine le niveau de sortie de l'effet MD1.

● MT1 — Multi Tap Delay 1

Ceci est un effet de retard "multi-tap" dans lequel, le temps, la position stéréo et le niveau de jusqu'à 6 retards indépendants peuvent être programmés individuellement.

1	DLY	PAN	LVL
200.0	L50	+100	

2	DLY	PAN	LVL
400.0	R50	+100	

3	DLY	PAN	LVL
600.0	L50	+100	

4	DLY	PAN	LVL
800.0	R50	+100	

5	DLY	PAN	LVL
1000.0	L50	+100	

6	DLY	PAN	LVL
1200.0	L50	+100	

INDLY	HPF	LPF
200.0	THRU	7.0k

MIX	LVL
100	0

HPF (High-pass Filter Cutoff Frequency: THRU, 160 kHz — 1.0 kHz)

Spécifie la fréquence de coupure du filtre passe-haut. Le réglage "THRU" contourne le filtre.

LPF (Low-pass Filter Cutoff Frequency: 1.0 kHz — 11 kHz, THRU)

Spécifie la fréquence de coupure du filtre passe-bas. Le réglage "THRU" contourne le filtre.

MIX (Mixing Balance: 0 — 100%)

Détermine l'équilibre entre le son direct et le son d'effet. Plus la valeur est élevée, plus la portion d'effet est importante par rapport au son direct.

LVL (Output Level: ∞, -30 — +6 dB)

Détermine le niveau de sortie de l'effet MT1.

DLY1 (Tap Delay Time 1: 0.1 — 1300.0 ms)

Le premier temps de retard.

PAN 1 (Tap Delay Pan 1: L50 — L1, L=R, R1 — R50)

Fixe la position stéréo du premier retard. Un réglage de "L50" place le son complètement à gauche; "L=R" place le son de retard au centre et "R=50" place le son complètement à droite.

LVL1 (Tap Delay Level 1: -100 — +100%)

Le niveau de sortie du premier son retardé. Les valeurs négatives produisent un son retardé avec inversion de phase.

* Les paramètres ci-dessus existent également pour les retards 2 à 6.

INDLY (Initial Delay Time: 0.0 — 100 ms)

Retarde l'ensemble des 6 retards du temps spécifié.

■ GROUPE MOD (Modulation)

● CHO — Chorus

L'effet de chorus combine la modulation d'amplitude et du temps de retard pour épaissir effectivement le son et lui donner de la "chaleur".

SPD	PMD	AMD
0.6	50	40

MIX	LVL
50	0

SPD (Modulation Speed: 0.1 — 20 Hz)

Spécifie la vitesse de la modulation et donc la vitesse avec laquelle l'effet varie.

PMD (Pitch Modulation Depth: -100 — +100%)

Détermine la profondeur de la modulation du temps de retard. Plus la valeur est élevée, plus la portion modulation de hauteur est importante dans l'effet.

AMD (Amplitude Modulation Depth: -100 — +100%)

Détermine la profondeur de la modulation d'amplitude. Plus la valeur est élevée, plus la portion de modulation d'amplitude est importante dans l'effet.

MIX (Mixing Balance: 0 — 100%)

Détermine l'équilibre entre le son direct et le son d'effet. Plus la valeur est élevée, plus la portion d'effet est importante par rapport au son direct.

LVL (Output Level: -∞, -30 — +6 dB)

Détermine le niveau de sortie de l'effet CHO.

● FLG — Flanger

Le "Flanging" est une effet assez prononcé reposant essentiellement sur la modulation du temps de retard. En ajustant les différents paramètres, il est possible de créer une gamme extrêmement variée de sons, depuis le bruissement délicat jusqu'au crissement sauvage.

SPD	DEP
4.0	60

DLY	FB
8.0	52

MIX	LVL
90	0

SPD (Modulation Speed: 0.1 — 20.0 Hz)

Spécifie la vitesse de la modulation et donc la vitesse avec laquelle l'effet varie.

DEP (Depth: 0 — 100%)

Détermine la profondeur de la modulation. Plus la valeur est élevée, plus la modulation est profonde.

DLY (Delay Time: 0.2 — 15.0 mS)

Détermine le temps de retard. Les temps de retard inférieurs à 1 msec sont surtout efficaces dans les hautes fréquences, tandis qu'avec des temps de retard entre 1 et 3 ms, l'effet s'étend aux fréquences intermédiaires.

FB (Feedback: 0 — 100%)

Détermine la portion du son d'effet renvoyée à l'entrée du processeur. Plus la valeur est élevée, plus l'effet est prononcé.

MIX (Mixing Balance: 0 — 100%)

Fixe l'équilibre (balance) entre le son direct et le son d'effet. Plus la valeur est élevée, plus la portion d'effet est importante par rapport au son direct.

LVL (Output Level: -∞, -30 — +6dB)

Détermine le niveau de sortie de l'effet FLG.

● SYM — Symphonic

L'effet Symphonic est un large effet de déplacement qui donne du relief au son.

SPD DEP
0.9 90

MIX LVL
90 0

SPED (Modulation Speed: 0.1 — 20.0 Hz)

Spécifie la vitesse de modulation et donc la vitesse avec laquelle l'effet varie.

DEP (Depth: 0 — 100%)

Détermine la profondeur de la modulation. Plus la valeur est élevée, plus la modulation est profonde.

MIX (Mixing Balance: 0 — 100%)

Fixe l'équilibre (balance) entre le son direct et le son d'effet. Plus la valeur est élevée, plus la portion d'effet est importante par rapport au son direct.

LVL (Output Level: -∞, -30 — +6 dB)

Détermine le niveau de sortie de l'effet SYM.

● TRM — Tremolo

L'effet tremolo utilise la modulation d'amplitude pour produire une variation périodique du volume. L'effet trémolo de l'FX900 offre en plus un paramètre Phase qui peut être utilisé pour créer un effet de "panning" périodique, dans lequel le son semble se déplacer dans le champ sonore stéréo.

SPD DEP PH
3.8 100 0

MIX LVL
90 0

SPD (Modulation Speed: 0.1 — 20.0 Hz)

Spécifie la vitesse de la modulation et donc la vitesse avec laquelle l'effet varie.

DEP (Depth: 0 — 100%)

Détermine la profondeur de la modulation. Plus la valeur est élevée, plus la modulation est profonde.

PH (Phase: -8 — +8)

Spécifie la direction dans laquelle l'image sonore se déplace dans le champ stéréo. La valeur "0" ne produit aucun mouvement, les valeurs positives déplacent le son vers la gauche et les valeurs négatives, vers la droite.

MIX (Mixing Balance: 0 — 100%)

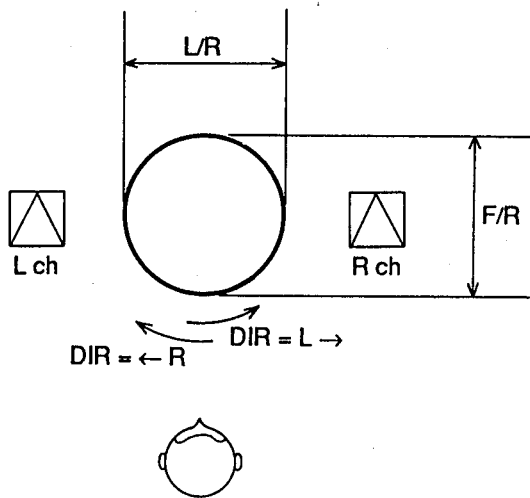
Fixe l'équilibre (balance) entre le son direct et le son d'effet. Plus la valeur est élevée, plus la portion d'effet est importante par rapport au son direct.

LVL (Output Level: -∞, -30 — +6dB)

Détermine le niveau de sortie de l'effet TRM.

● PAN — Round Pan

Ceci est un programme pan très sophistiqué qui permet de créer un effet rotatif en plus des mouvements stéréo habituels.



SPD	L/R	F/R
0.9	100	90

DIR	MIX	LVL
L →	90	0

SPD (Pan Speed: 0.1 — 20 Hz)

Règle la vitesse de l'effet PAN (c'est-à-dire la vitesse avec laquelle le signal se déplace d'une voie à l'autre).

L/R (Left/Right Depth: 0 — 100%)

Détermine la profondeur du mouvement panoramique de gauche à droite et de droite à gauche.

F/R (Front/Rear Depth: 0 — 100%)

Ce paramètre détermine la profondeur apparente du mouvement d'avant en arrière.

DIR (Pan Direction: L → R, L ← R)

Détermine la direction dans laquelle le son se déplace dans le panorama stéréo.

MIX (Mixing Balance: 0 — 100%)

Détermine l'équilibre (balance) entre le son direct et le son d'effet. Plus la valeur est élevée, plus la portion d'effet est importante par rapport au son direct.

LVL (Output Level: ∞, -30 — +0dB)

Détermine le niveau de sortie de l'effet PAN.

■ GROUPE REV2 (Reverb 2)

● RV2 — Reverb 2

Mêmes effet et paramètres que RV1. Voir page 83.

● ER2 — Early Reflections 2

Mêmes effet et paramètres que ER1. Voir page 84.

● DL2 — Mono Delay 2

Mêmes effet et paramètres que DL1, sauf que la plage de réglage des paramètres DLYR et DLYL va de 0.1 à 740.0 ms. Voir page 85.

● EC2 — Echo (Stereo Delay) 2

Mêmes effet et paramètres que EC1, sauf que la plage des paramètres FBDL et FBDR va de 0.1 à 270.0 ms. Voir page 86.

● MT2 — Multi Tap Delay 2

Mêmes effet et paramètres que MT1, sauf que la plage du paramètre DLY va de 0.1 à 640.0 ms. Voir page 89.

● R+D — Reverb + Delay

Cet effet fonctionne comme des processeurs de retard et de réverbération connectés en parallèle.

DLYL	DLYR
100.0	200.0

FBD	FB	L/R
150.0	+10	R10

RVT	HF
2.4	6

R/D	MIX	LVL
L8	60	0

DLYL (Left Channel Delay Time: 0.1 — 380.0 mS)

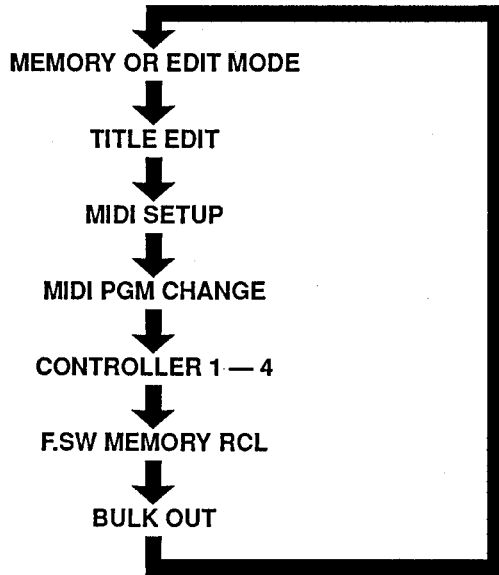
Détermine le temps de retard sur la voie gauche.

DLYR (Right Channel Delay Time: 0.1 — 380.0 mS)

Détermine le temps de retard de la voie droite.

8. Le mode UTILITY

Le mode UTILITY donne accès à un certain nombre de fonctions utilitaires parmi lesquelles l'affectation d'un titre aux programmes de la zone de mémoire USER, l'assignation de numéros d'emplacements de mémoire à des numéros de changements de programme MIDI, l'assignation de contrôleurs externes et la programmation de la plage de rappel en mémoire par commutateur au pied. Pour accéder au mode UTILITY, il suffit d'appuyer sur la touche [UTILITY]. Chaque pression sur la touche [UTILITY] appelle une fonction utilitaire différente, comme illustré ci-dessous:



Le mode qui était activé avant que la touche [UTILITY] ne soit pressée (MEMORY ou EDIT) est à nouveau sélectionné après la dernière fonction de la liste. Il est également possible de quitter le mode UTILITY en pressant et en maintenant enfoncée la touche [UTILITY] jusqu'à ce que son voyant s'éteigne (environ une seconde).

■ TITLE EDIT

La fonction Title Edit vous permet de donner des noms originaux à vos programmes d'effets, de manière à permettre une identification aisée. Lorsque la fonction Title Edit est appelée, un écran semblable à celui reproduit ci-dessous apparaît, avec le nom actuel de l'emplacement de mémoire sur la ligne supérieure. Utilisez les touches du curseur [◀] et [▶] pour déplacer le curseur dans la direction souhaitée, puis utilisez les touches [DATA ENTRY] ou les touches [▲] et [▼] pour changer le caractère à la position du curseur. La touche [STORE] sert à insérer un espace à la position du curseur. Continuez jusqu'à ce que le nouveau titre soit complet.

Fullrange Dist.
TITLE EDIT

Les caractères disponibles via la commande [DATA ENTRY] ou les touches [▲] et [▼] sont indiqués sur le tableau suivant, dans l'ordre correct.

Espace initial (pré-edit) & espace produit par une pression sur la touche [STORE].

	[]	<	>	:	.	*	+	-	=	&	/	.	.	%	/	?	→	←	
#	0	1	2	3	4	5	6	7	8	9	A	B	C	D	E	F	G	H		
I	J	K	L	M	N	O	P	Q	R	S	T	U	V	W	X	Y	Z	a	ä	
b	c	d	e	f	g	h	i	j	k	l	m	n	o	ö	p	q	r	s	t	u
ü	v	w	x	y	z		ア	イ	ウ	エ	オ	カ	キ	ク						
コ	サ	シ	ス	セ	ソ	タ	チ	ツ	テ	ト	ナ	ニ	ネ	ノ	ハ	ヒ	フ	ヘ		
ホ	マ	ミ	ム	メ	モ	ヤ	ユ	ヨ	ラ	リ	ル	レ	ロ	ワ	ヲ	ン	ン			
じ	.	.	.	-																

Le nouveau titre de programme ainsi créé est automatiquement mémorisé avec le programme correspondant lorsque la fonction Title Edit est abandonnée.

Remarque: La fonction TITLE EDIT ne peut être utilisée que lorsque l'un des emplacements de mémoire USER (0 à 99) est sélectionné. Si vous essayez d'appeler la fonction TITLE EDIT alors qu'un emplacement de mémoire PRESET (0 à 99) est sélectionné, l'écran suivant apparaîtra et l'édition ne sera pas possible.

USER MEMORY ONLY
TITLE EDIT

■ Sélection de programme MIDI: MIDI SETUP et MIDI PGM CHANGE

L'FX900 permet de sélectionner des programmes spécifiques via un contrôle MIDI externe. Vous pouvez, par exemple, configurer votre FX900 de manière à ce que lorsque vous sélectionnez une voix sur un synthétiseur, l'effet le plus approprié pour cette voix soit automatiquement sélectionné. Ceci est possible parce que chaque fois que vous sélectionnez un voix sur votre synthétiseur MIDI, celui-ci transmet le NUMERO DE CHANGEMENT DE PROGRAMME MIDI CORRESPONDANT. L'FX900 reçoit ce NUMERO DE CHANGEMENT DE PROGRAMME et sélectionne le programme d'effet que vous lui avez assigné au moyen de la fonction Program Change Table Edit, que nous décrivons ci-dessous. Plus pratique pour les guitaristes et bassistes serait d'utiliser un contrôleur au pied MIDI tel que le Yamaha MFC05 pour transmettre les NUMEROS DE CHANGEMENT DE PROGRAMME MIDI requis. En fait, il est possible de programmer quatre jeux complètement indépendants d'assignations NUMEROS DE CHANGEMENT DE PROGRAMME MIDI/ NUMEROS DE MEMOIRE sur l'FX900. Chacun de ces jeux est contenu dans une "banque" différente: A, B, C ou D. Il est également possible de programmer chaque BANQUE, de manière à ce qu'elle reçoive des données sur un canal MIDI différent. Pour affecter des canaux de réception MIDI différents aux quatre banques, utilisez la fonction Program Change Bank Edit décrite ci-dessous.

Remarque:

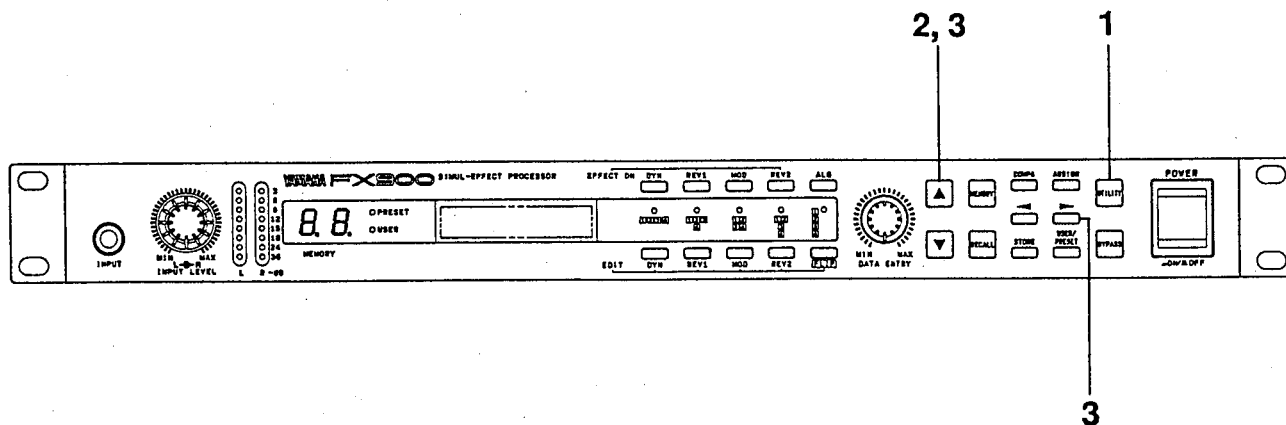
La table des assignations de programme sélectionnée détermine également quel programme d'effets est sélectionné lorsque le contrôleur au pied FC900 est utilisé.

N.B.:

Lors de la réception des données MIDI dans le mode MEMORY, un petit "M" apparaîtra à droite sur la ligne inférieure de l'affichage.

● MIDI SETUP

Cette fonction permet de sélectionner l'une des quatre BANQUES contenant les tables d'assignation des changements de programme et de changer les canaux de MIDI de réception et transmission pour chaque BANQUE.



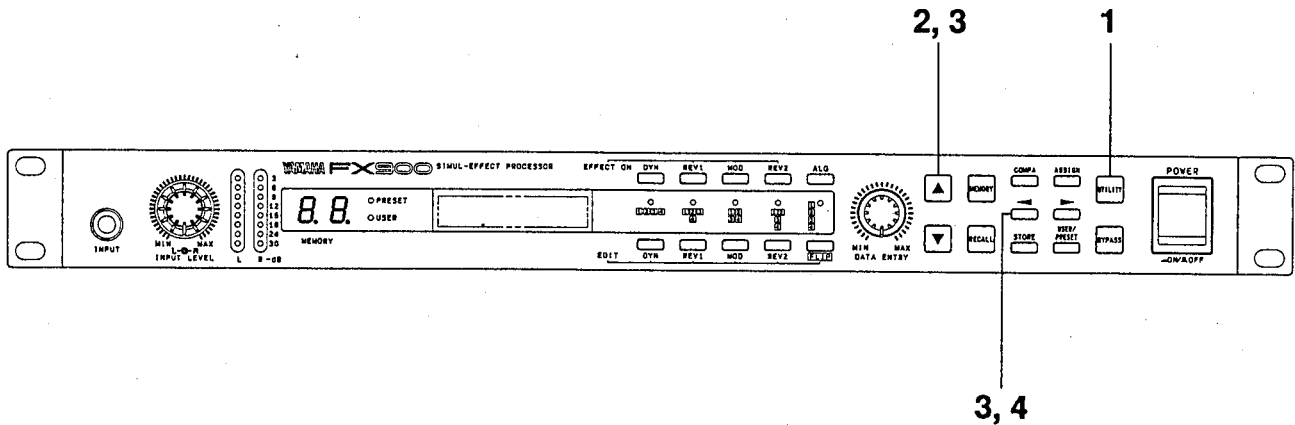
1. Utilisez la touche [UTILITY] pour sélectionner l'écran MIDI SETUP.

MIDI SET UP
BANK:A ch=OMNI

2. Le trait du curseur doit se trouver sous le paramètre BANK. Utilisez la commande [DATA ENTRY] ou les touches [▲] et [▼] pour sélectionner la banque que vous souhaitez programmer (A, B, C ou D).
3. Déplacez le curseur sur le paramètre "ch=" en appuyant sur la touche [◀], puis utilisez la commande [DATA ENTRY] ou les touches [▲] et [▼] pour spécifier le canal MIDI de réception/transmission (1 — 16), le mode OMNI (tous les canaux peuvent être reçu, transmission sur le canal 1) ou désactiver la réception MIDI pour la banque sélectionnée. Le trait du curseur peut être ramené sous le paramètre BANK si nécessaire, par une pression sur la touche [▶].

● MIDI PGM CHANGE

Lorsque cette fonction est appelée, l'écran d'affichage se présente comme illustré ci-dessous et il est possible d'assigner de nouveaux numéros d'emplacements de mémoire à chaque numéro de changement de programme MIDI ou de l'unité FC900.



- Utilisez la touche [UTILITY] pour sélectionner l'écran MIDI PGM CHANGE. Le trait du curseur doit être sous le paramètre PGM

```
MIDI PGM CHANGE
PGM 1 = MEM U01
```

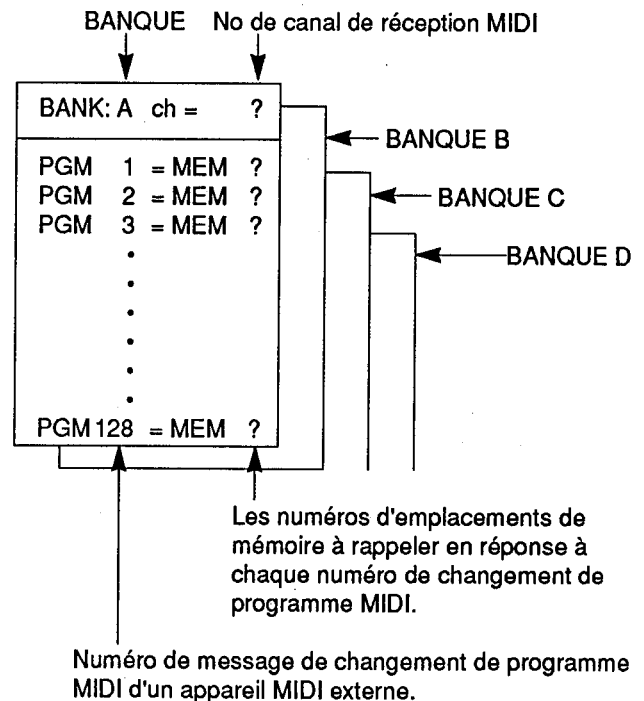
- Utilisez la commande [DATA ENTRY] ou les touches [▲] et [▼] pour sélectionner le numéro de changement de programme auquel un nouvel emplacement de mémoire de l'FX900 doit être assigné. La plage des numéros de changement de programme disponibles va de 1 à 128.

- Déplacez le trait du curseur sur le paramètre MEM en appuyant sur la touche [◀]. Utilisez la commande [DATA ENTRY] ou les touches [▲] et [▼] pour sélectionner le numéro d'emplacement de mémoire contenant l'effet qui doit être assigné au numéro de changement de programme actuellement sélectionné. U00 à U99 sont les 100 emplacements de mémoire USER et P00 à P99 sont les 100 emplacements de mémoire PRESET.

N.B.: Si ce paramètre est réglé sur "MEM ---", aucun changement de programme n'a lieu lorsque le numéro de changement de programme est reçu. Si ce paramètre est réglé sur "MEM ---", la touche [STORE] étant enfoncée et le curseur se situant alors sous le paramètre "MEM", aucun changement de programme n'aura lieu lorsque le numéro de changement de programme est reçu.

- Ramenez le trait du curseur sur le paramètre PGM en appuyant sur la touche [◀] et répétez la procédure ci-dessus pour assigner autant de numéros de changement de programme que nécessaire.

Remarque: Les assignations numéro de programme/numéro de mémoire sont mémorisés dans la BANQUE sélectionnée au moyen de la fonction MIDI SETUP décrite plus haut. Pour programmer les assignations changement de programme/numéro de mémoire d'une autre BANQUE, repassez à l'écran MIDI SETUP, sélectionnez la BANQUE souhaitée puis programmez ses assignations

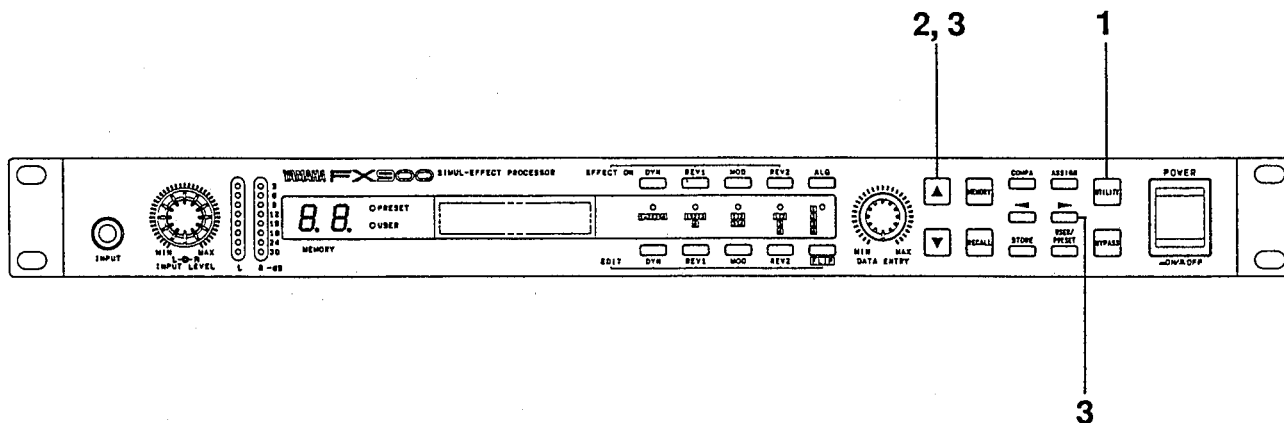


■ Contrôle externe de paramètres: CONTROLLER 1 à CONTROLLER 4

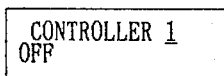
L'FX900 permet d'assigner jusqu'à quatre "contrôleurs" externes pour contrôler à distance et en temps réel les paramètres d'effet. Les contrôleurs externes peuvent être des contrôleurs au pied FC7 branchés dans les prises FOOT VOL 1 et 2 du panneau arrière, des contrôleurs au pied FC7 branchés aux prises FOOT CONTROL 1 et 2 du contrôleur au pied FC900 disponible en option (voir la documentation fournie avec l'unité FC900) ou des messages des contrôleurs MIDI consistant en numéros de changement de commande MIDI entre 0 et 95. Certains de ces numéros de commande MIDI sont assignés à des contrôleurs spécifiques - molette de modulation, entrée de données, etc. - et un appareil MIDI comme un clavier, par exemple, qui possède la plupart de ces contrôleurs, transmettra les données de changement de commande MIDI correspondantes lorsque les contrôleurs sont actionnés. Par exemple, vous pouvez assigner la molette de modulation du clavier de telle sorte qu'elle contrôle la durée de réverbération sur l'FX900.

Pour utiliser ce genre de système, les quatre "contrôleurs" autorisés par l'FX900 - CONTROLLER 1, CONTROLLER 2, CONTROLLER 3 et CONTROLLER 4 - doivent être programmé de façon à répondre aux contrôleurs au pied appropriés ou à recevoir des données de CHANGEMENT DE COMMANDE MIDI spécifiques (c'est-à-dire recevoir les données d'un contrôleur MIDI spécifique). Cette programmation s'effectue au moyen des fonctions CONTROLLER décrites ci-dessous.

● Assignations de contrôleurs



1. Utilisez la touche [UTILITY] pour sélectionner l'écran CONTROLLER. L'affichage doit ressembler à celui reproduit ci-dessous, avec le curseur sous le numéro de contrôleur.



Les réglages suivants et les contrôleurs associés (ou aucun si aucun contrôleur n'est spécifiquement assigné peuvent être sélectionnés:

2. Utilisez la commande [DATA ENTRY] ou les touches [▲] et [▼] pour sélectionner CONTROLLER 1, 2, 3 ou 4.
3. Déplacez le curseur sur la ligne inférieure de l'affichage en appuyant sur la touche du curseur [▶], puis utilisez la commande [DATA ENTRY] ou les touches [▲] et [▼] pour sélectionner le contrôleur au pied ou numéro de changement de commande MIDI pour le contrôleur sélectionné (1 à 4).
Lorsque le curseur est sur la ligne inférieure de l'affichage, la commande peut être sélectionnée sera désactivée en appuyant sur la touche [STORE].

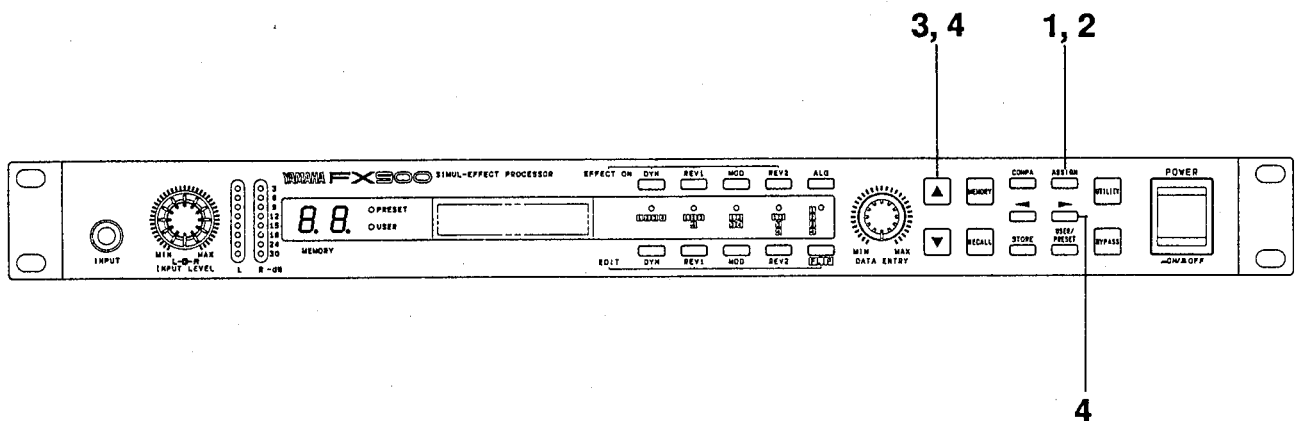
Numéro de changement de commande	Assignation de contrôleur
OFF	Contrôleur désactivé
FOOT VOL1	FC7 connectée à la prise FOOT VOL 1 du panneau arrière.
FOOT VOL2	FC7 connectée à la prise FOOT VOL 2 du panneau arrière.
FC900 VOL1	FC7 connectée à la prise FOOT VOL 1 de l'unité externe FC900
FC900 VOL2	FC7 connectée à la prise FOOT VOL 2 de l'unité externe FC900
1	Molette de modulation
2	Commande par le souffle
3	Aucun contrôleur spécifique assigné
4	Contrôleur au pied
5	Portamento Time
6	DATA ENTRY (entrée de donnée)
7	VOLUME général
8	Contrôleur type boule
9	Aucun contrôleur spécifique assigné
10	Contrôleur PAN
11	Contrôleur EXP.
12 — 31	Aucun contrôleur spécifique assigné
64	Pédale SUSTAIN
65	PORTAMENTO
66	SOSTENUTO
67	Pédale SOFT
68	Aucun contrôleur spécifique assigné
69	HOLD 2
70 — 95	Aucun contrôleur spécifique assigné

Trois autres sources de contrôle qui ne sont pas directement associées aux numéros de changement de commande MIDI peuvent être également sélectionnées: KEY NOTE (données de numéro de note MIDI), KEY VEL. (vélocité du toucher, faisant partie intégrante des données MIDI NOTE ON) et CH PRESSURE (pression canal).

Remarque: Différents contrôleurs peuvent être assignés au même contrôle externe. Par exemple, le contrôleur FOOT VOL 1 pourrait être assigné à CONTROLLER 1, 2 et 3. Ces trois contrôleurs pourraient également être assignés au contrôle du volume des groupes d'effets DYN, REV1 et MOD, ainsi que cela est expliqué à la section suivante. Avec cette configuration, vous pouvez contrôler le volume général de votre programme d'effets sans affecter la réverbération finale.

● Assignation de CONTROLLER 1 à 4 à des effets spécifiques

Lorsque les contrôleurs MIDI que vous souhaitez utiliser ont été sélectionné au moyen des fonctions CONTROLLER 1 — 4 décrites ci-dessus, vous pouvez alors assigner les contrôleurs aux paramètres d'effets spécifiques de l'FX900. L'assignation des commandes s'effectue en mode MEMORY ou EDIT.



1. Après avoir quitté le mode UTILITY (soit en faisant défiler la liste des fonctions utilitaires, soit en maintenant la touche [UTILITY] jusqu'à ce que son voyant s'éteigne, appuyez sur la touche [ASSIGN].

CTRL1 MIN-MAX
Mbd: LVL 1 100

2. Sélectionnez CONTROLLER 1, 2, 3 ou 4 en appuyant de manière répétées sur la touche [ASSIGN].
3. The curseur commence par apparaître sous le paramètre actuellement sélectionné. Utilisez la commande [DATA ENTRY] ou les touches [▲] et [▼] pour sélectionner le paramètre que vous souhaitez contrôler. Tous les paramètres des effets actuellement sélectionnés sont disponibles, sauf ceux énumérés ci-dessous.* "THR", par exemple, désigne le niveau de seuil du compresseur. LPF désigne la fréquence du filtre passe-bas de la distorsion, etc. Les paramètres individuels sont décrits en détail à la section 7. "Les effets et leurs paramètres" à partir de la page 71. En plus des paramètres d'effets standard, les paramètres suivants sont disponibles:

* Paramètres non disponibles pour le contrôle externe:

WAH: FRQ	PCS: PCL
WAH: CTR	PCS: PCR
CDW: FRQ	PCM: KEY
CDW: CTR	PCM: PCA
PCS: KEY	PCM: PCB

• DYN: VOL, MOD: VOL, RV1: VOL et RV2: VOL — Ces paramètres règlent les contrôleurs de manière à ce qu'ils contrôlent le volume des groupes d'effets correspondant.

4. Utilisez les touches du curseur [◀] et [▶] pour déplacer le curseur sur la position MIN puis sur la position MAX, en utilisant la commande [DATA ENTRY] ou les touches [▲] et [▼] à chaque position pour spécifier la plage de contrôle souhaitée. Les positions MIN et MAX ont chacune une plage de valeurs possibles allant de 0 à 100%. Par exemple, si la plage originale pour LVL est -42 à 6 dB, alors lorsque MIN et MAX sont réglés respectivement sur 10 et 90%, la plage de contrôle va de -38 à -5 dB.
5. Répétez les étapes 2 à 4 ci-dessus pour assigner des paramètres aux contrôleurs restants, si vous le souhaitez.
6. Lorsque vous en avez terminé avec l'assignation des contrôleurs, appuyez sur la touche [MEMORY] ou sur l'une des touches EDIT pour revenir au mode souhaité.

Remarque: Le paramètre assigné à un contrôleur ne peut pas être assigné simultanément à un autre.

■ F.SW MEMORY RCL

L'FX900 permet de sélectionner les emplacements de mémoire via un commutateur au pied Yamaha FC4 ou FC5, disponible en option, connecté à la prise MEMORY INC/DEC. La fonction F.SW MEMORY RC: permet de spécifier la plage des numéros d'emplacement de mémoire qui seront sélectionnés lorsque le commutateur au pied est pressé.

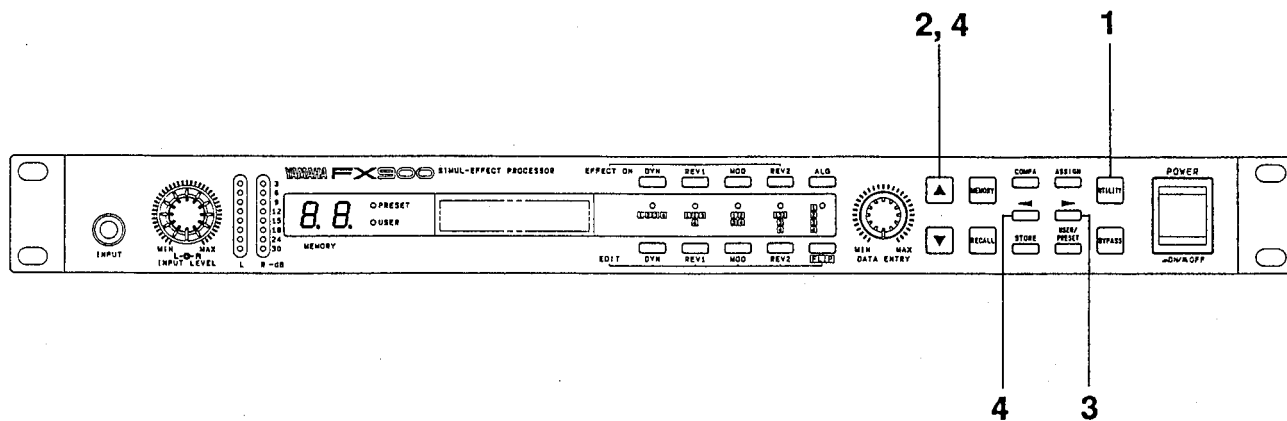
F.SW MEMORY RCL
RANGE U31 TO U34

Si, par exemple, le paramètre RANGE est réglé sur U31 à U34, comme indiqué sur l'illustration ci-dessus, chaque fois que le commutateur au pied est pressé, le numéro

d'emplacement de mémoire suivant est sélectionné, jusqu'à ce que le dernier numéro de la plage spécifiée soit atteint. Après le dernier numéro de la plage spécifiée, le premier numéro (le plus bas) est sélectionné et le processus se répète. Il est possible de programmer une séquence en sens inverse en spécifiant le numéro de mémoire le plus élevé en premier, comme illustré ci-dessous.

F.SW MEMORY RCL
RANGE U34 TO U31

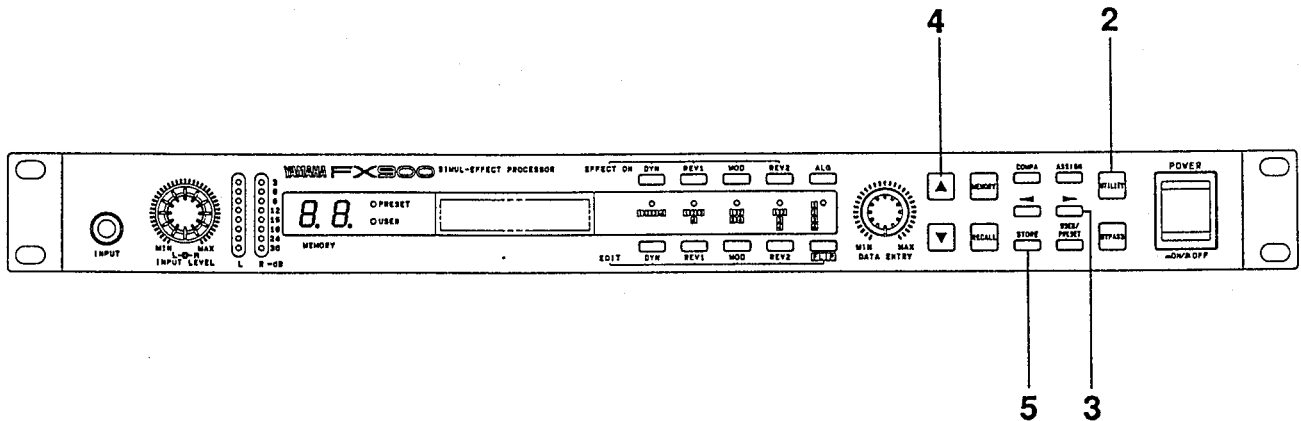
Dans ce cas, la séquence de sélection est: U34 → U33 → U32 → U31 → U34, etc.



1. Utilisez la touche [UTILITY] pour appeler l'affichage F.SW MEMORY RCL. Le trait du curseur doit être situé sous le premier numéro d'emplacement de mémoire de la plage.
2. Utilisez la commande [DATA ENTRY] ou les touches [▲] et [▼] pour entrer le premier numéro de la plage.
3. Appuyez sur la touche [▶] du curseur pour déplacer le curseur sur le second numéro de la plage.
4. Utilisez la commande [DATA ENTRY] ou les touches [▲] et [▼] pour entrer le second numéro de la plage. La touche [◀] du curseur peut être utilisée pour retourner au premier numéro de la plage si nécessaire.

■ BULK OUT

Lorsque cette fonction est appelée, l'écran d'affichage se présente comme illustré ci-dessous et il devient possible d'effectuer le transfert en bloc des données d'un seul emplacement de mémoire (MEM), des données de configuration du système (SYS), de la table d'assignation des changements de programme d'une seule banque (BNK) ou de toutes les données énumérées ici (ALL) via la borne MIDI THRU/OUT.



1. Assurez-vous que le commutateur MIDI THRU-OUT du panneau arrière soit réglé sur la position "OUT".
2. Utilisez la touche [UTILITY] pour sélectionner l'affichage BULK OUT. Le trait du curseur doit être sous le paramètre ALL.

BULK OUT ALL SYS
MEM: * BNK:*

3. Utilisez les touches du curseur [◀] et [▶] pour sélectionner le type de données que vous souhaitez transmettre:
 ALL = Tous les programmes, configuration du système et données des tables de changement de programme.
 SYS = Données de configuration du système (c'est-à-dire les réglages actuels des fonctions utilitaires, etc.)
 MEM = Les données de l'emplacement de mémoire spécifié.
 BNK = Les données de la table des changements de programme de la banque spécifiée.
4. Si vous sélectionnez MEM ou BNK, utilisez la commande [DATA ENTRY] ou les touches [▲] et [▼] pour sélectionner les numéros d'emplacement de mémoire PRESET (P00 - P99 ou USER (U00 - U99) ou la banque (A, B, C ou D) correspondant aux données que vous souhaitez transmettre.

5. Appuyez sur la touche [STORE] pour exécuter l'opération de transfert de données. Un écran similaire à celui représenté ci-dessous apparaît lorsque les données sont transmises.

BULK OUT
** BULK OUT BANK

L'affichage BULK OUT initial réapparaît lorsque la transmission est terminée.

Remarque: Voyez la section "MIDI DATA FORMAT", à partir de la page 160 pour davantage de détails concernant le transfert de données en blocs.

N.B.: Lors de la réception de données par bloc, "MIDI RECEIVE" apparaîtra sur la ligne supérieure de l'affichage.

9. Données techniques:

• CIRCUIT ANALOGIQUE

Réponse en fréquence:

20 Hz — 20 kHz

Plage dynamique:

Mieux que 90 dB, effet désactivé

Distorsion harmonique totale:

Moins de 0.03% @ 1 kHz, effet désactivé

• ENTREES

Voies

Stéréo (2) ou Mono (1).

Type

Asymétrique

Niveau nominal

+4/-20 dB, commutable

Impédance

10k/1M Ω , commutable

Connecteurs

Prise pour écouteurs, avant et arrière

• SORTIES

Voies

Stéréo (2)

Type

Asymétrique

Niveau nominal

+4/-20 dB, commutable

Impédance

220 Ω

Connecteurs

Prises "jack"

Impédance écouteurs/ niveau nominal

150 Ω -22 dBm (prise "jack" stéréo asymétrique).

• CIRCUITS NUMERIQUES

Convertisseurs analogique/numérique

2 voies, quantification sur 16 bits (conversion delta/sigma avec sur-échantillonnage 64 fois)

Convertisseurs digital/numérique

2 voies, quantification sur 18 bits (sur-échantillonnage 8 fois).

Fréquence d'échantillonnage

44.1 kHz

• MEMOIRES ET EFFETS

Mémoire:

Zone ROM (PRESET) 0 — 99

Zone RAM (USER) 0 — 99

Effets

DYN (Groupe dynamique)

CDE	Compressor/Distortion/Equalizer
CMP	Dual Compressor
ENH	Dual Enhancer
WAH	Stereo Wah
PEQ	Dual Parametric Equalizer
MBD	Multi-band Distortion
CDW	Compressor/Distortion/Equalizer/Wah
DST	Stereo Distortion/Equalizer

REV1 (Groupe Réverbération 1)

PCM	Mono Pitch Change
PCS	Stereo Pitch Change
RV1	Reverb 1
ER1	Early Reflections 1
DL1	Mono Delay 1
EC1	Echo (Stereo Delay) 1
MD1	Modulation Delay 1
MT1	Multi Tap Delay 1

MOD (Groupe Modulation)

CHO	Chorus
FLG	Flanger
SYM	Symphonic
TRM	Tremolo
PAN	Round pan

REV2 (Groupe Réverbération 2)

RV2	Reverb 2
ER2	Early Reflections 2
DL2	Mono Delay 2
EC2	Echo (Stereo Delay) 2
MT2	Multi Tap Delay 2
R+D	Reverb + Delay

• AFFICHAGES ET CONNECTEURS

Affichages

Indicateurs de niveau d'entrée à 8 éléments, gauche & droite
Affichage du numéro de mémoire de 2 chiffres à 7 segments LED

Ecran d'affichage à cristaux liquides de 2 lignes de 16 caractères.

Indicateurs de zone de mémoire PRESET et USER.

Indicateurs pour les cinq types d'algorithme.

Connecteurs

INPUT (panneau avant)

INPUT R et L/MONO avec impédance de 10k/1M Ω et commutateurs de niveau de +4/-20 dB.

OUTPUT R et L avec commutateur de niveau de +4/-20 dB.
FOOT VOL 1 et 2.

MEMORY INC/DEC FOOT SW.

BYPASS FOOT SW.

MIDI et MIDI THRU/OUT avec commutateur THRU/OUT.

• CARACTERISTIQUES GENERALES

Alimentation:

Modèles pour les Etats-Unis et le Canada: 120 V AC, 60Hz, 35 W

Modèle général: 220/240 V AC, 50/60 Hz, 35 W

Dimensions (L x H x P)

480 x 44 x 314.8 mm (18-7/8" x 1-3/4" x 12-3/8")

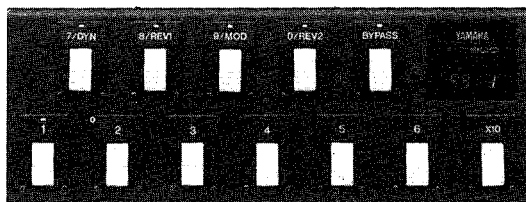
Poids

4.8 kg (10.6 lbs environ)

Options

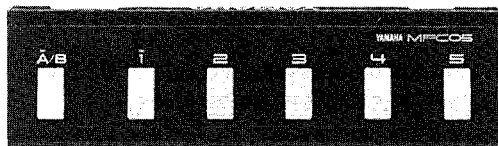
Commande au pied FC900

La FC900 a été conçue spécialement pour l'utilisation avec le FX900 et permet de commander au pied entre autre le commutateur ON/OFF du groupe d'effet, la sélection de programme et le commutateur bypass.



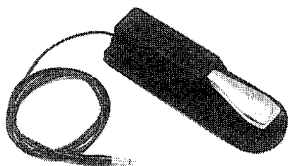
Commande au pied MFC05

Le moyen simple et efficace de transmission des numéros de changement de programme MIDI 1 à 10.



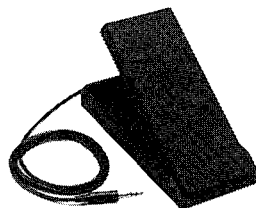
Commutateur au pied FC4 et FC5

Ces robustes pédales se prêtent particulièrement comme commutateur bypass ou commutateur de rappel de mémoire.



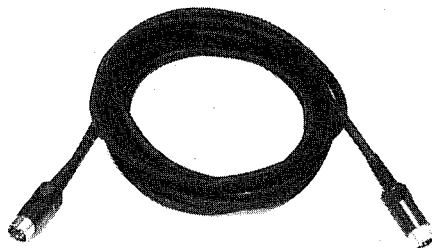
Commande au pied FC7

Une ou deux de ces commande au pied vous permettent le réglage du volume ou le contrôle d'effets en temps réel.



Câble MIDI MIDI03 et MIDI15

Le MIDI03 est un câble standard de 3 mètres, le MIDI15 un câble grande distance de 15 mètres.



SIMUL-EFFECT PROCESSOR

FX900

Deutsch

Bedienungsanleitung

Bescheinigung des Importeurs

Hiermit wird bescheinigt, daß der/die/das
SIMUL-EFFECT PROCESSOR Typ: FX900

(Gerät, Typ, Bezeichnung)

in Übereinstimmung mit den Bestimmungen der
VERFÜGUNG 1046/84

(Amtsblattverfügung)

funkentstört ist.

Der Deutschen Bundespost wurde das Inverkehrbringen dieses Gerätes
angezeigt und die Berechtigung zur Überprüfung der Serie auf Einhaltung
der Bestimmungen eingeräumt.

Yamaha Europa GmbH

Name des Importeurs

Herzlichen Glückwunsch!

Und vielen Dank, daß Sie sich für den FX900 SIMUL-EFFECT PROCESSOR von Yamaha entschieden haben. Der FX900 greift auf die noch immer unerreichte Signalverarbeitungstechnologie von Yamaha zurück und ist darüber hinaus ein vollständig konfigurierbares System von bis zu 7 gleichzeitig einsetzbaren und weitestgehend programmierbaren Effekten. Dank des Algorithmus-Systems kann man die Effekte in Serie, parallel und in jeder beliebigen Reihenfolge schalten und sie anschließend -anhand der zahlreichen Parameter- editieren.

Zu den eingebauten Effekten gehören ein Kompressor, Verzerrer (Distortion), Equaliser, Enhancer, Wah-wah, Verstimmungs-Effekt, Hall (Reverb), Erstreflexionen, Delay, Echo und Modulation. Der FX900 ist mithin ein Gerät, das wirklich alle benötigten Effekte enthält. Deswegen bietet er auch 100 Preset-Programme, die man nur noch anzuwählen braucht. Da auch die Editierfunktionen üppig ausgefallen sind, enthält der FX900 darüber hinaus 100 RAM-Speicher, in denen Sie Ihre eigenen Programme unterbringen können. Der FX900 kann wahlweise im 1-in/2-out oder 2-in/2-out Betrieb eingesetzt werden und ist erfreulich MIDI-kompatibel: Er läßt es nicht nur bei der Speicheranwahl via MIDI bewenden, sondern erlaubt auch eine Echtzeitsteuerung der Effektparameter. Außerdem gibt es eine Fernbedienung, den Foot Controller FC900, mit der man die wichtigsten Funktionen des FX900 per Fuß steuern kann.

Nur wenige Effektgeräte sind derart vielseitig und kaum eines reicht soundmäßig an den FX900 heran. Bitte setzen Sie sich mit dieser Bedienungsanleitung vor Ihren FX900 und probieren Sie alle beschriebenen Parameter sofort aus. Es lohnt sich nämlich wirklich, sich in die Funktionen dieses Gerätes zu vertiefen. Da nicht auszuschließen ist, daß Sie bestimmte Dinge wieder vergessen, sollten Sie die Anleitung danach an einen Ort legen, wo Sie sie auch wiederfinden.

Inhalt

1. Vorsichtsmaßnahmen	107
2. Was ist der FX900 und was kann er?	108
■ Effekte	108
■ Algorithmen	108
■ Speicheranordnung	109
■ Externe Steuerung	110
3. Anschlüsse	111
4. Bedienung (Tasten, Regler)	113
5. Der MEMORY-Betrieb: Anwahl der Effektprogramme	115
6. Editieren	116
■ Ein- und ausschalten der Effektgruppen	116
■ Algorithmuswahl	117
■ Umkehren und Zuordnen der Effekte	119
■ Anwahl und Editieren der Parameter	121
■ Speichern	122
7. Effekte und Parameter	123
■ DYN (Dynamic) Effekte	123
● CDE (Compression/Distortion/Equalizer)	123
● CMP - Dual Compressor	125
● ENH - Stereo Enhancer	126
● WAH - Stereo Wah	127
● PEQ - Dual Parametric Equalizer	128
● MBD - Multi-band Distortion	129
● CDW - Compressor/Distortion/Equalizer/Wah ..	130
● DST - Stereo Distortion/Equalizer	132
■ REV1 (Reverb 1) Effekte	133
● PCM - Mono Pitch Change	133
● PCS - Stereo Pitch Change	134
● RV1 - Reverb 1	135
● ER1 - Early Reflections 1	136
● DL1 - Mono Delay 1	137
● EC1 - Echo (Stereo Delay) 1	138
● MD1 - Modulation Delay 1	139
● MT1 - Multi Tap Delay 1	141
■ MOD (Modulation) Effekte	142
● CHO - Chorus	142
● FLG - Flanger	142
● SYM - Symphonic	143
● TRM - Tremolo	143
● PAN - Round Pan	144
■ REV2 (Reverb 2) Effekte	145
● RV2 - Reverb 2	145
● ER2 - Early Reflections 2	145
● DL2 - Mono Delay 2	145
● EC2 - Echo (Stereo-Delay) 2	145
● MT2 - Multi Tap Delay 2	145
● R+D - Reverb + Delay	145
8. Der Utility Mode	146
■ TITLE EDIT	146
■ MIDI-Programmanwahl: MIDI SETUP und MIDI PGM CHANGE	147
● MIDI SETUP	147
● MIDI PGM CHANGE	148
■ Externe Parameter-Steuerung: CONTROLLER 1 bis CONTROLLER 4	149
● Die wichtigsten Spielhilfe-Zuordnungen	149
● CONTROLLER 1 bis CONTROLLER 4: Wie teilt man sie den Effekten zu?	151
■ F.S.W MEMORY RCL	152
■ BULK OUT	153
9. Spezifikationen	154
10. Algorithm & Effect Zuweisungen für die Preset- Programme	156
11. MIDI-Datenformat	156
MIDI Implementation Chart	160
12. Blockschaltbild	166
13. Parameterübersicht des FX900	167
14. Übersicht der initialisierten Daten	173

1. Vorsichtsmaßnahmen

!!BITTE LESEN SIE DIESE TIPS, BEVOR SIE WEITERMACHEN!!

1. UBERMASSIGE HITZE, FEUCHTIGKEIT, STAUB UND VIBRATIONEN MEIDEN

Stellen Sie dieses Gerät nie an feuchten Orten auf und meiden Sie Wärmequellen - Heizkörper, Öfen usw. Staubige Orte und Vibration könnten zu mechanischen Schäden führen.

2. NICHT FALLENLASSEN

Behandeln Sie dieses Gerät mit der gebotenen Umsicht und lassen Sie es nicht fallen.

3. WEDER DAS GEHÄUSE ÖFFNEN NOCH SELBST REPARATUREN VORNEHMEN

Dieses Gerät sollten Sie niemals selbst reparieren. Überlassen Sie diese Arbeit dem qualifizierten Yamaha-Kundendienst. Wenn Sie das Gehäuse trotzdem öffnen oder den FX900 selbst modifizieren, erlischt automatisch der Garantieanspruch.

4. VOR DEM ANSCHLIESSEN UND ABTRENNEN DER KABEL DAS GERÄT AUSSCHALTEN

Schalten Sie den FX900 aus, bevor Sie die Kabel anschließen oder abtrennen.

5. KABEL MIT UMSICHT BEHANDELN

Ziehen Sie immer an den Steckern -das gilt auch für das Netzkabel- und niemals am Kabel selbst, um das Reißen der Adern zu vermeiden.

6. MIT EINEM TROCKENEN WEICHEN TUCH ABWISCHEN

Zum Reinigen des Gehäuses niemals Lösungsmittel wie Benzol verwenden. Wischen Sie den FX900 mit einem trockenen weichen Tuch ab.

7. IMMER MIT DER GEEIGNETEN NETZSPANNUNG BETREIBEN

Kontrollieren Sie vor dem Anschließen des FX900 ans Netz, ob die Netzspannung stimmt (die hierfür benötigten Angaben finden Sie auf der Geräterückseite, unter dem Stromkabel).

8. INTERFERENZEN

Da der FX900 digitale Schaltkreise enthält, kann er Störfrequenzen generieren, wenn Sie ihn in die Nähe eines Fernsehers, Radios usw. stellen. In diesem Fall sollten Sie den FX900 an einem anderen Ort aufstellen.

9. MIDI-KABEL

Wenn Sie die MIDI-Funktionen des FX900 nutzen möchten, müssen Sie MIDI-Kabel verwenden, die nicht länger sein dürfen als 15 m, um Störungen zu vermeiden.

10. PUFFERBATTERIE

Der FX900 ist mit einer Spezialbatterie ausgestattet, die die RAM-Speicher mit genügend Strom versorgt, sobald Sie ihn ausschalten. Nur so kann sichergestellt werden, daß Ihre mühsam eingestellten Programme beim Ausschalten nicht verlorengehen. Die Lebensdauer dieser Batterie beträgt ungefähr 5 Jahre. Sinkt ihre Spannung unter den erforderlichen Mindestwert ab, wird beim Einschalten folgende Meldung angezeigt:

**** WARNING ****
LOW BATTERY

In diesem Fall müssen Sie die Batterie vom Yamaha-Kundendienst auswechseln lassen. **TUN SIE DAS NIEMALS SELBST!**

11. FEHLERMELDUNGEN

Beim Einschalten des FX900 wird jedesmal ein kleines Diagnose-Programm gefahren, das die Funktion der wichtigen Parameter prüft. Wird ein Fehler festgestellt, zeigt die Flüssigkristallanzeige eine Fehlermeldung ("E0" bis "E8") an. Merken Sie sich diese Anzeige und bringen Sie den FX900 zum Kundendienst.

2. Was ist der FX900 und was kann er?

■ Effekte

Der FX900 enthält 4 Effekt-Gruppen: DYN (Dynamic), REV1 (Reverb 1), MOD (Modulation) und REV2 (Reverb 2). Jede Gruppe setzt sich jeweils aus mehreren Effekten zusammen. Manche "Effekte" sind darüber hinaus Kombinationen mehrerer Effekte. Ein gutes Beispiel ist CDE, ein Effekt der DYN-Gruppe, der einen Kompressor, Verzerrer und Equalizer enthält. In nachstehender Tabelle finden Sie alle verfügbaren Effekte sowie ihre (vom FX900 angezeigten) Abkürzungen:

Gruppe	Effekt	Beschreibung	
DYN	CDE	Compressor/Distortion/Equalizer	
	CMP	Dual Compressor*	
	ENH	Dual Enhancer	
	WAH	Stereo Wah*	
	PEQ	Dual Parametric Equalizer	
	MBD	Multi-band Distortion	
	CDW	Compressor/Distortion/Equalizer/Wah	
	DST	Stereo Distortion/Equalizer	
	REV1	PCM	Mono Pitch Change
		PCS	Stereo Pitch Change
RV1		Reverb 1	
ER1		Early Reflections 1	
DL1		Mono Delay 1	
EC1		Echo (Stereo Delay) 1	
MD1		Modulation Delay 1	
MOD	MT1	Multi Tap Delay 1	
	CHO	Chorus	
	FLG	Flanger	
	SYM	Symphonic	
	TRM	Tremolo	
	PAN	Round Pan	
REV2	RV2	Reverb 2	
	ER2	Early Reflections 2	
	DL2	Mono Delay 2	
	EC2	Echo (Stereo Delay) 2	
	MT2	Multi Tap Delay 2	
	R+D	Reverb + Delay	

(*) Die Dual-Programme haben getrennte Parameter für den linken und rechten Kanal. Die Parameter der Stereo-Programme gelten jeweils für beide Kanäle.

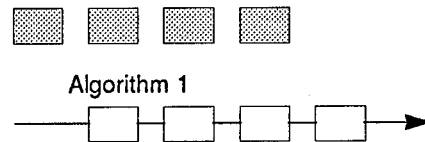
Jeder Effekt enthält mehrere Parameter, mit denen man seine eigenen Soundvorstellungen programmieren kann. Eine eingehende Beschreibung der Effekte und Parameter finden Sie im Kapitel "Effekte und Parameter" auf S.123. Bis zu vier Effekte -jeweils einer pro Gruppe- können frei miteinander kombiniert und zusammenschaltet werden, indem man die 4 Gruppen einem Block eines der 11 Algorithmen zuordnet. Kompliziert? Erklärung folgt:

■ Algorithmen

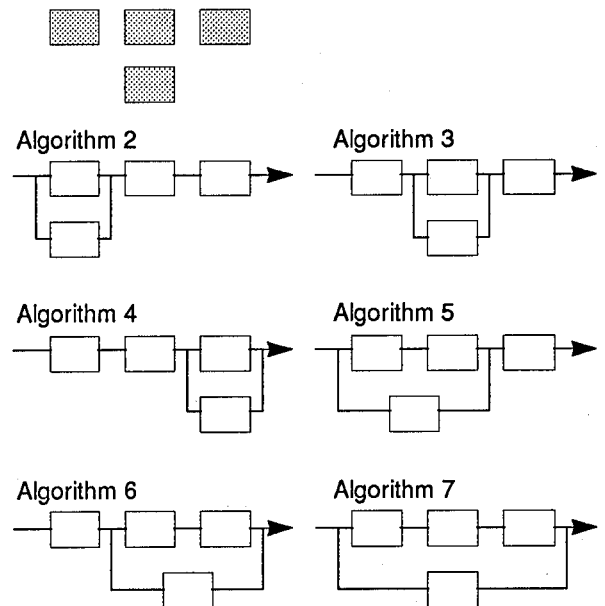
Der Klang der gleichzeitig eingesetzten Effekte richtet sich zum Teil nach der Art, wie Sie sie miteinander kombinieren, d.h. nach der Reihenfolge und der Schaltung (seriell oder parallel). Diese Schaltungen können Sie selber vornehmen, indem Sie die Effekte der vier Gruppen einem Algorithmus zuordnen.

Der FX900 bietet fünf Algorithmustypen, die wir der Einfachheit einmal "Kette", "T", "Quadrat", "hohes T" und "Stapel" nennen wollen. Diese werden mit Hilfe von Symbolen (von links nach rechts) auf der Gerätevorderseite abgebildet. Der "T" und "hohes T" Algorithmus bieten darüber hinaus mehrere Variationen (siehe Abbildung).

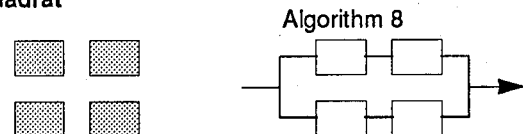
1. Kette



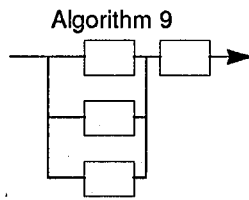
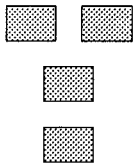
2. T



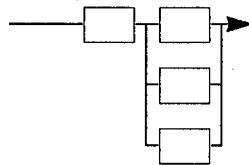
3. Quadrat



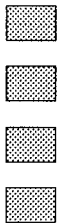
4. Hohes T



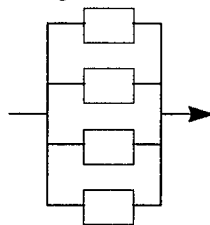
Algorithm 10



5. Stapel



Algorithm 11



Insgesamt gibt es 11 Algorithmen. Wie bereits erwähnt, kann man jeweils einen Effekt einer Gruppe einem "Block" des gewählten Algorithmus' zuordnen. Auf diese Weise kombiniert man die Effekte so miteinander, daß genau der angestrebte Sound erzielt wird.

Näheres zur Algorithmuswahl und der Effektzuzuordnung finden Sie auf S. 117.

■ Speicheranordnung

Der FX900 ist mit 200 Speichern ausgestattet. Die "PRESET" Speicher P0-P99 sind sogenannte ROM-Speicher (in denen man selbst nichts ablegen kann), die die 100 werksprogrammierten Effekte enthalten. Die "USER" Speicher U0-U99 sind RAM-Speicher (in denen Sie Ihre eigenen Effekte unterbringen können). Am schnellsten programmiert man seine Effekte übrigens, indem man ein Preset-Programm abwandelt. Bei Lieferung enthalten der PRESET- und der USER-Speicher dieselben Programme. Der erste Speicher (die Nummer "0") enthält nur "initialisierte Daten", die Sie verwenden sollten, wenn keines der Preset-Programme mit wenig Aufwand geändert werden kann. Die Initialeinstellungen haben einen -mehr oder weniger- "normalen" Effekt zur Folge, den man in kürzester Zeit den Anforderungen entsprechend umprogrammieren kann.

PRESET SPEICHER (ROM)
0 — 99
<ul style="list-style-type: none"> • "0" enthält initialisierte Daten • 1 — 99 sind die Werkseffekte

USER SPEICHER (RAM)
0 — 99
<ul style="list-style-type: none"> • Selbst editierte Programme

Namen der Preset-Effekte

Speichernr.	Name	Speichernr.	Name
Distortion-Gruppe		No. 52	Pitch Twist
No. 1	Massive Dist.	No. 53	Bright Chorus
No. 2	Triple Stack	No. 54	Wanderer
No. 3	Fullrange Dist	No. 55	Reverb Sweet
No. 4	Southern Rock	No. 56	Dew
No. 5	Smooth Dist	No. 57	Treble Tremolo
No. 6	Metal Master	No. 58	Tape Echo
No. 7	Razor's Edge	No. 59	Hollow Body
No. 8	Power Detune	No. 60	Nylon Strings
No. 9	Tube Lead	No. 61	Comp Chorus
No. 10	FX Distortion	Baßeffekte	
No. 11	Sweet Lead	No. 62	Fretless Solo
No. 12	Harmony Lead	No. 63	Fretless Pick
No. 13	Rockin' 70's	No. 64	Flange Bass
No. 14	Multi Lead	No. 65	Touch-wah Bass
No. 15	Mid Peak	No. 66	Slap Bass
No. 16	3-way Dist	No. 67	Bass Distortion
No. 17	Led Distortion	No. 68	Island Bass
No. 18	Tight Distortion	No. 69	Straight Pick
No. 19	Pan Distortion	No. 70	Flange Pick
No. 20	Hard Sitar	No. 71	Quick Chase
No. 21	Flange Sitar	Synthi-Effekte	
No. 22	Shapeless Bells	No. 72	EP Ambience
No. 23	Tight Rock	No. 73	Punchy Piano
No. 24	Crunch	No. 74	Thick Organ
No. 25	Slide Distortion	No. 75	Rock Organ
No. 26	Touch Dist	No. 76	Slow Rotor
No. 27	Cluster Dist. 1	No. 77	Clavi-flange
No. 28	Cluster Dist. 2	No. 78	Pluck-wah
No. 29	Cluster Dist. 3	No. 79	Silky Clav
No. 30	Talkin' Dist.	No. 80	Pad Fill
No. 31	Wide-Pan Dist.	No. 81	Wind Enhancer
No. 32	Wah Distortion	No. 82	Brass Lifter
No. 33	Sparkler	No. 83	Horn Solo
No. 34	Meteor	No. 84	Polished Strings
Effekte ohne Verzerrung		No. 85	Fat Bass
No. 35	Simply Sweet	No. 86	3D-pan Bass
No. 36	Compressed Solo	Effekte für Schlagzeug/ Perkussion/Aufnahmen	
No. 37	Bright Backer	No. 87	Rock Drum
No. 38	Shimmer Echo	No. 88	Heavy Drum
No. 39	Crisp Chops	No. 89	Warehouse Drum
No. 40	Touch Of Jazz	No. 90	Percussion Gate
No. 41	50's Boogie	No. 91	Percussion-wah
No. 42	Touch Wah	No. 92	Vocal Reverb 1
No. 43	Dry Clean	No. 93	Vocal Reverb 2
No. 44	Crisp Q	Soundeffekte	
No. 45	Spicy Repeat	No. 94	Dinosaur
No. 46	Fifths	No. 95	Teleporter
No. 47	Light Harmony	No. 96	Escalator
No. 48	Silver Strings	No. 97	War Drum
No. 49	Stereo Tremolo	No. 98	Infinite Echo
No. 50	Funk Groove	No. 99	Steam Machine
No. 51	City Theme		

No. 0 Initial Data

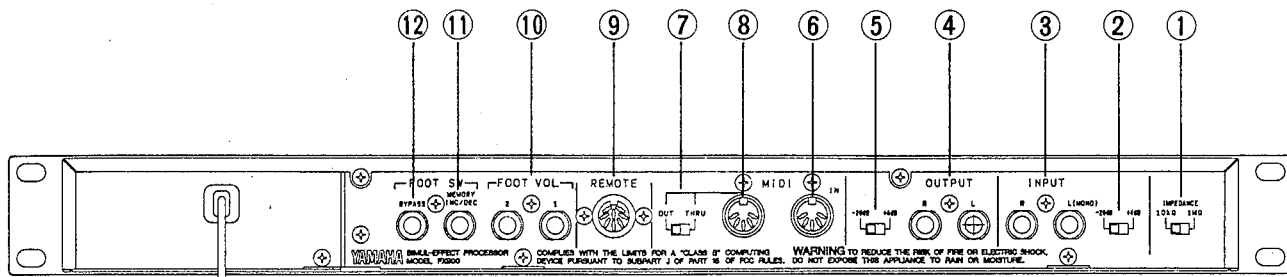
* Einzelheiten über Algorithmen und einzelne Effekte der jeweiligen Effektprogramme entnehmen Sie den Tabellen ab Seite 156.

■ Externe Steuerung

Der FX900 kann problemlos in MIDI-Anlagen eingesetzt werden und bietet dementsprechend viele externe Steuerungsmöglichkeiten. Jeder beliebige Speicher kann z.B. von einem MIDI-Keyboard oder MIDI Foot Controller ausgewählt werden. Außerdem lassen sich bis zu vier verschiedene Effektparameter in Echtzeit steuern. So ließen sich beispielsweise der Depth-Parameter des Flanger-Effektes und der Reverb Time-Parameter eines Reverb-Effektes steuern, während Sie spielen. Wie man das macht, erfahren Sie auf S. 149.

Wem diese Möglichkeiten zu karg erscheinen, der kann sich mit dem FC900 Foot Controller von Yamaha eine weitere Steuerungsmöglichkeit zulegen. Mit dieser Fußfernbedienung kann man Effektprogramme und Effektgruppen anwählen sowie die Effekte zeitweilig ausschalten (Bypass) und bestimmte Parameter in Echtzeit steuern. Näheres zu den Funktionen dieser Fernbedienung erfahren Sie in deren Bedienungsanleitung.

3. Anschlüsse



① Input IMPEDANCE Schalter

Mit diesem Schalter stellt man die Eingangsimpedanz für die Buchsen INPUT R und L/MONO sowie die INPUT Buchse auf der Gerätevorderseite ein. Wenn Sie eine Gitarre oder ein anderes hochohmiges Instrument direkt an den FX900 anschließen, sollten Sie diesen Schalter auf "1M" stellen. Die "10k" Stellung eignet sich vor allem für Audio-Geräte und andere Line-Signale.

② Input Level -20dB/+4dB Schalter

Mit diesem Schalter gleicht man die Eingangsempfindlichkeit des FX900 an den Ausgangspegel des angeschlossenen Gerätetyps an. Wenn Sie professionelle Geräte mit einem Ausgangspegel von +4dB verwenden, sollten Sie diesen Schalter auf "+4dB" stellen. Die "-20dB" Stellung ist für Audiogeräte gedacht, die sich auf den heimischen Bereich beschränken.

③ INPUT R & L/MONO Buchsen

An die INPUT R und L/MONO Buchse können entweder Mono- oder Stereo-Signale angelegt werden. Stereo-Signale legt man am besten an beiden Buchsen an (da sie sonst nicht Stereo sind). Arbeiten Sie mit einer Mono-Signalquelle, so verbinden Sie den Ausgang des externen Gerätes mit der Buchse L/MONO. In diesem Fall funktioniert der FX900 im 1-in/2-out Betrieb. Die Buchse L/MONO erhält übrigens dasselbe Signal wie die frontseitige INPUT Buchse (siehe weiter unten). Wenn Sie gleichzeitig ein Signal an die Buchse R und L/MONO sowie den frontseitigen Eingang anlegen, dann verarbeitet der FX900 nur das über INPUT (Vorderseite) empfangene Signal.

④ OUTPUT R und OUTPUT L Buchse

Dies sind die beiden Stereo-Ausgänge des FX900. Am besten verbinden Sie sie beide mit Ihrem Mischpult oder Stereo-Verstärker, da die Effekte des FX900 im Stereo-Betrieb weitaus eindrucksvoller klingen. Ist das jedoch nicht möglich, dann können Sie entweder die OUTPUT R oder OUTPUT L mit dem Verstärker verbinden.

⑤ Output Level -20dB/+4dB Schalter

Mit diesem Schalter gleicht man den Ausgangspegel des FX900 an die Eingangsempfindlichkeit des Verstärkers oder Mischpultes an. Wenn Sie professionelle Geräte mit +4dB-Eingängen verwenden, sollten Sie diesen Schalter auf "+4dB" stellen. Die "-20dB" Stellung ist für Geräte gedacht, die über normale Line-Eingänge verfügen.

⑥ MIDI IN Buchse

Verbinden Sie diese Buchse mit der MIDI THRU- oder OUT-Buchse eines anderen Geräts (Keyboard, Foot Controller, Sequenzer usw.). Der FX900 versteht Programmwechselbefehle, mit denen man die Effektprogramme direkt anwählen und Steuerelementbefehle, mit denen man die Werte der angewählten Parameter in Echtzeit ändern kann. [Näheres hierzu erfahren Sie auf S. 147.]

⑦ MIDI THRU/OUT Schalter

Hiermit wählen Sie entweder den MIDI THRU- oder MIDI OUT-Betrieb. Siehe "8. MIDI THRU/OUT Anschluß".

⑧ MIDI THRU/OUT Anschluß

Wenn Sie den MIDI THRU/OUT-Schalter auf "THRU" stellen, dann werden die über MIDI IN empfangene Signale an andere Geräte weitergeleitet, was den Vorteil hat, daß man mehrere Geräte via MIDI miteinander "verketteten" kann.

Wenn Sie den MIDI THRU/OUT Schalter auf "OUT" stellen, dann sendet der FX900 nur seine eigenen Daten zu anderen Geräten.

[Näheres hierzu erfahren Sie auf S. 153.]

⑨ REMOTE Buchse

Schließen Sie hier die optionale FC900 Fußfernbedienung an, mit der Sie Effektgruppen und Programme anwählen sowie die Effekte zeitweilig ausschalten und andere Funktionen steuern möchten.

⑩ FOOT VOL 1 und 2 Buchsen

Wenn Sie einen optionalen FC7 Fußschweller von Yamaha an die Buchsen FOOT VOL 1 und 2 anschließen, können Sie bestimmte Parameterwerte in Echtzeit steuern.

[Näheres hierzu erfahren Sie auf S. 149.]

⑪ MEMORY INC/DEC Buchse

An diese Buchse können Sie einen optionalen FC4 oder FC5 Fußtaster anschließen, mit dem sich die Effektprogramme anwählen lassen. Welche Programme aufgerufen werden sollen, wählen Sie im UTILITY Mode mit der Funktion F.S.W Memory Rcl (Seite 152).

[Näheres hierzu erfahren Sie auf S. 152.]

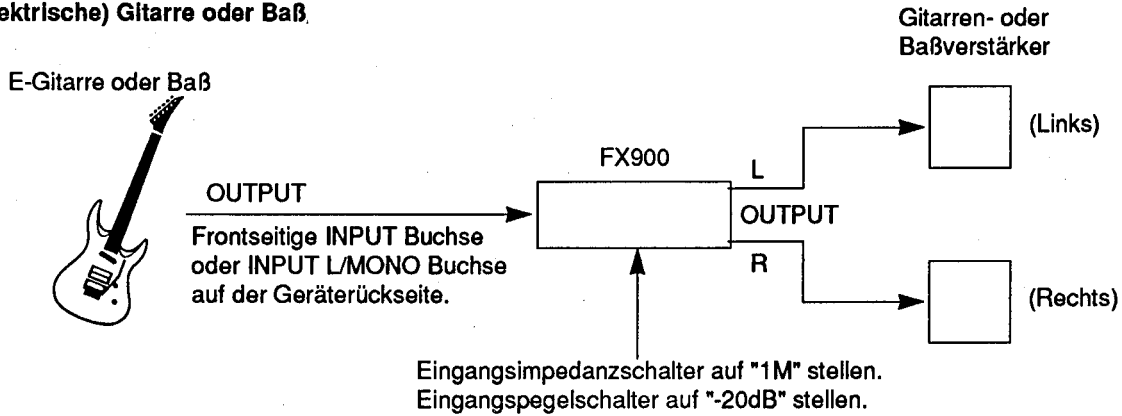
⑫ BYPASS Buchse

Mit einem an diese Buchse angeschlossenen FC4 oder FC5 Fußtaster von Yamaha steuern Sie dieselbe Funktion wie mit der [BYPASS]-Taste auf der Gerätevorderseite. Drücken Sie den Fußtaster einmal, um die Effekte zeitweilig auszuschalten und noch einmal, um sie wieder zu aktivieren.

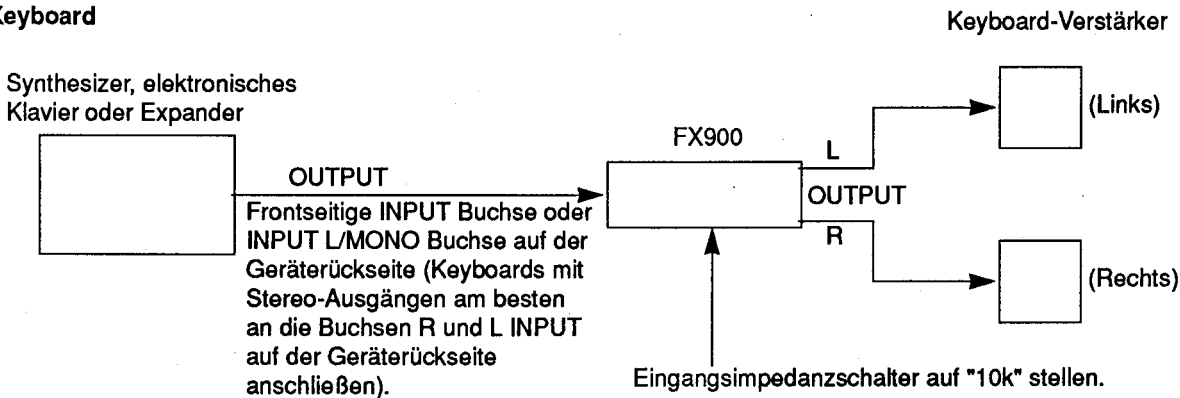
Einsatz des FX900 mit verschiedenen Instrumenten

Als nächstes wollen wir Ihnen zeigen, wie man den FX900 an eine Gitarre bzw. einen Baß, ein Keyboard oder eine Homerecording-Anlage anschließt. Wie die Anschlüsse genau auszusehen haben, richtet sich natürlich nach dem beabsichtigten Einsatzbereich, aber die hier gegebenen Beispiele stellen zumindest einen nützlichen Hinweis dar.

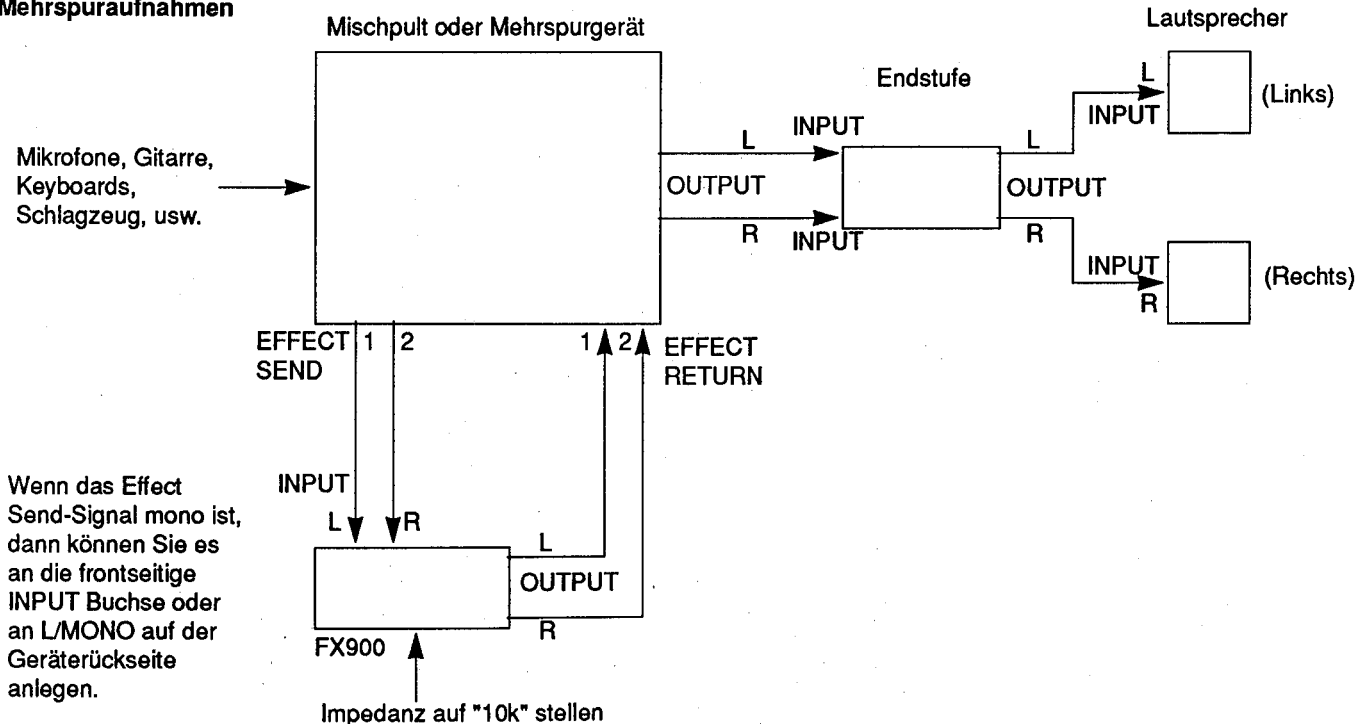
• E(lektrische) Gitarre oder Baß



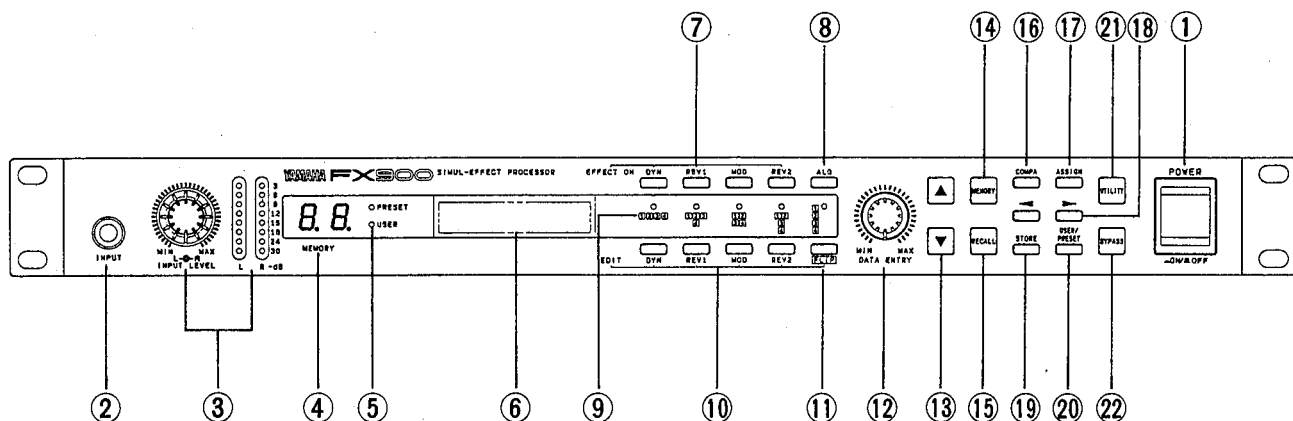
• Keyboard



• Mehrspuraufnahmen



4. Bedienung (Tasten, Regler)



- ① POWER Schalter**
Drücken Sie diesen Schalter einmal, um den FX900 einzuschalten und noch einmal, um ihn wieder auszuschalten. Beim Einschalten werden zuerst der Name und eine Copyright-Meldung angezeigt. Erst danach ist der FX900 einsatzbereit.
- ② Eingang**
Schließen Sie Ihre Gitarre oder eine andere Mono-Quelle an diese Buchse oder an die rückseitige INPUT L/MONO Buchse an (siehe "3. INPUT R & L/MONO Buchse" im Kapitel "3. Anschlüsse"). Alle Eingänge sind Standard-1/4"-Klinken.
- ③ INPUT LEVEL Regler mit L und R Level-Anzeige**
Um den FX900 optimal einzupegeln, sollten Sie den höchsten Lautstärkewert auf Ihrem Instrument wählen/einstellen (bei Synthi-Klängen ist das nicht immer leicht), den Sie hinterher brauchen. Stellen Sie den INPUT LEVEL danach so ein, daß alle Segmente der LED-Ketten bis auf das oberste (3) aufleuchten. Das oberste Segment sollte nur kurz bei Signalspitzen aufleuchten. Dieses Segment ist mit einer Haltefunktion ausgestattet, die Signalspitzen 1 Sekunde lang anzeigt.
- ④ LED MEMORY Nummern-Display**
Dieses Display zeigt die gewählte Programmnummer (0 — 99) an. Die PRESET und USER Diode verraten ihnen, ob sich das Programm im Preset- oder User-Speicher befindet. Siehe weiter unten.
- ⑤ PRESET und USER Diode**
Es leuchtet jeweils eine dieser Dioden auf, um anzuzeigen, daß Sie den Preset- (ROM) oder den User-Speicher (RAM) aufgerufen haben. Die Speichertypwahl erfolgt mit der Taste [USER/PRESET] (siehe weiter unten).
[Näheres hierzu erfahren Sie auf S. 115.]
- ⑥ LCD-Anzeige (Flüssigkristall)**
Hier werden alle für die Bedienung notwendigen Informationen angezeigt (Programmwahl, Programmieren, Utility-Betrieb).
- ⑦ EFFECT ON Tasten — [DYN], [REV1], [MOD], [REV2]**
Mit diesen Tasten schalten Sie die entsprechende Effektgruppe EIN (Diode leuchtet) oder AUS (Diode leuchtet nicht).
[Näheres hierzu erfahren Sie auf S. 116.]
- ⑧ [ALG]-Taste**
Wenn Sie die [ALG] (Algorithmus) Taste drücken (und wenn die Diode leuchtet), dann können Sie mit dem [DATA ENTRY] Regler oder mit [▲] und [▼] einen anderen Algorithmus für das aufgerufene Effektprogramm anwählen. Im Algorithmus-Betrieb kann man den Blöcken auch andere Effekte zuordnen, indem man den Cursor mit den Tasten [◀] und [▶] zu dem entsprechenden Block führt und dann mit Hilfe der Tasten [▲] und [▼] einen anderen Effekt wählt. Drücken Sie die [ALG]-Taste noch einmal (Diode erlischt), um den Algorithmus-Betrieb wieder zu verlassen.
[Näheres hierzu erfahren Sie auf S. 117.]
- ⑨ Algorithmus-Anzeige**
Diese fünf Dioden und die dazugehörigen Algorithmus-Symbole zeigen an, welchen Grundtyp Sie für ein Effektprogramm gewählt haben.
[Näheres hierzu erfahren Sie auf S. 117.]
- ⑩ EDIT Tasten — [DYN], [REV1], [MOD], [REV2]**
Über diese Tasten erreichen Sie die editierbaren Parameter des aktivierten Effektes innerhalb der Effektgruppe. Die meisten Effekte haben mehrere Anzeigeseiten, die man anwählt, indem man die entsprechende EDIT Taste mehrmals drückt.
[Näheres hierzu erfahren Sie auf S. 121.]
- ⑪ [FLIP]-Taste**
Mit der [FLIP]-Taste ändert man die Positionen von zwei Effektgruppen des gewählten Algorithmus', so daß die Effekte an jeder beliebigen Position erscheinen.
[Näheres hierzu erfahren Sie auf S. 119.]
- ⑫ [DATA ENTRY]-Regler**
Mit dem [DATA ENTRY] Regler können Sie die Programme, die Algorithmennummern, die Effekte und Parameter-Werte in den entsprechenden Modes wählen. In vielen Fällen arbeiten Sie am schnellsten indem Sie erst mit dem [DATA ENTRY] Regler den gewünschten Einstellungswert grob anpeilen, und ihn anschließend mit den [Data Entry] Tasten genau einstellen. Den DATA ENTRY Regler im Uhrzeigersinn drehen, um die Nummer oder den Wert zu erhöhen, und gegen den Uhrzeigersinn um die Nummer oder den Wert zu vermindern.
[Näheres hierzu erfahren Sie auf S. 115.]

13 [Data Entry]-Tasten [▲] und [▼]

Mit den Tasten [▲] und [▼] stellt man jeweils den nächst höheren oder kleineren Wert (Programmnummer, Parameterwert, Buchstabe/Zeichen) ein. Sie könnten eine dieser Tasten gedrückten halten, um den gewünschten Wert schneller anzufahren oder die Taste der richtigen Richtung betätigen und gleichzeitig die andere drücken, wenn die Einstellung noch schneller erfolgen soll.
[Näheres hierzu erfahren Sie auf S. 115.]

14 [MEMORY]-Taste und Diode

Leuchtet die Diode der [MEMORY]-Taste, ist der MEMORY Mode des FX900 eingeschaltet. In diesem Betrieb können Sie Effektprogramme (0 — 99, PRESET oder USER) mit Hilfe des [DATA ENTRY]-Reglers oder der Tasten [▲], [▼] und [RECALL] anwählen und aufrufen. Den MEMORY Mode kann man im EDIT Mode aktivieren, indem man auf [MEMORY] drückt. Befinden Sie sich im UTILITY Mode, dann müssen Sie ihn erst verlassen, indem Sie die [UTILITY]-Taste solange gedrückt halten, bis die entsprechende Diode erlischt (das dauert ungefähr 1 Sekunde).
[Näheres hierzu erfahren Sie auf S. 115.]

15 [RECALL]-Taste

Nachdem Sie mit dem [DATA ENTRY]-Regler oder den Tasten [▲] und [▼] im MEMORY Mode ein Programm angewählt haben, müssen Sie diese Taste drücken, um es aufzurufen (zu aktivieren).
[Näheres hierzu erfahren Sie auf S. 115.]

16 [COMPA]-Taste

Mit der [COMPA]-Taste (von "Compare"= Vergleich) können Sie zwischen einem editierten und dem ursprünglichen Programm hin- und herschalten. Wenn Sie, nachdem Sie einen oder mehrere Parameterwerte geändert haben, die Taste [COMPA] drücken, dann hören Sie wieder das Original. Drücken Sie diese Taste noch einmal, um mit dem Editieren fortzufahren.

17 [ASSIGN]-Taste

Mit der [ASSIGN]-Taste teilen Sie bestimmte Effektparameter den via MIDI gesteuerten Spielhilfen bzw. den Fußtastern/-schwellern zu.
[Näheres hierzu erfahren Sie auf S. 149.]

18 Kursortasten [◀] und [▶]

Mit diesen Tasten führen Sie den Cursor im Display nach links bzw. rechts. Das ist z.B. notwendig, wenn Sie einen der angezeigten Parameter editieren möchten.
[Näheres hierzu erfahren Sie auf S. 121.]

19 [STORE]-Taste

Nach dem Editieren eines Effektprogrammes (PRESET oder USER 0-99) sollten Sie die neue Fassung in einem der RAM-Speicher (USER 0-99) unterbringen, damit sie auf Tastendruck wieder vorliegt. Das tun Sie mit der [STORE]-Taste. Bedenken Sie jedoch, daß Sie Ihre Programme nur in den User-Speichern ablegen können.
[Näheres hierzu erfahren Sie auf S. 122.]

20 [USER/PRESET]-Taste

Hiermit wählen Sie abwechselnd den USER- und den PRESET-Speicher an. Die neben der Speichernummeranzeige befindlichen Dioden ("User" und "Preset") zeigen jeweils den gewählten Speichertyp an.
[Näheres hierzu erfahren Sie auf S. 115.]

21 [UTILITY]-Taste und -Diode

Mit dieser Taste aktivieren Sie den UTILITY Mode, in dem Sie Zugriff auf folgende Funktionen haben:

- Title Edit [Seite 146]
- MIDI Setup [Seite 147]
- MIDI-Program Change Table Edit [Seite 148]
- Controller Assignment [Seite 149]
- F.Sw Memory Rcl [Seite 147]
- Bulk Out [Seite 153]

Wenn Sie den UTILITY Mode anwählen, dann leuchtet die zu der Taste gehörige Diode. Durch nochmaliges Drücken von [UTILITY] wählen Sie jeweils die nächste Funktion an. Nach Anwahl der letzten Funktion verlassen Sie den UTILITY Mode wieder. Darauf wechselt der FX900 wieder in den Betrieb, in dem er sich befand, bevor Sie auf [UTILITY] gedrückt haben. Um den UTILITY Mode schneller zu verlassen, sollten Sie die [UTILITY]-Taste gedrückt halten, bis die Diode wieder erlischt (das dauert ungefähr eine Sekunde).

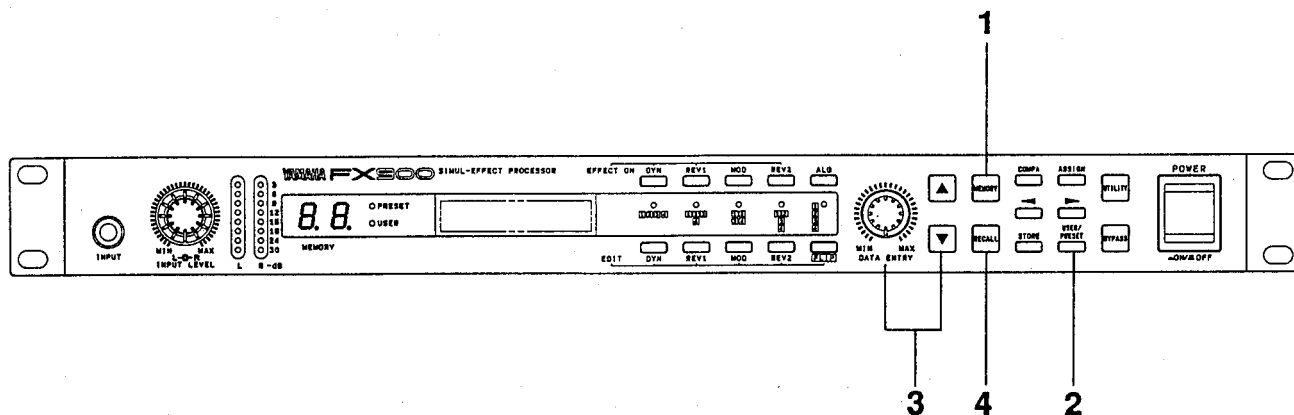
22 [BYPASS]-Taste

Wenn Sie die [BYPASS]-Taste drücken (und deren Diode leuchtet), werden alle Effekte umgangen. In diesem Fall liegt das "trockene" Signal auch wieder an den Ausgängen an. Drücken Sie die [BYPASS]-Taste ein zweites Mal, um die Effekte wieder zuzuschalten. Diese Funktion läßt sich auch mit einem Fußtaster, den man an die BYPASS Buchse auf der Geräterückseite anschließt, aktivieren und ausschalten (siehe "12. BYPASS Buchse").

5. Der MEMORY-Betrieb: Anwahl der Effektprogramme

Im MEMORY Mode des FX900 können Sie mit dem [DATA ENTRY]-Regler und den Tasten [▲] und [▼] andere Effektprogramme anwählen. Sobald Sie das tun, blinken die Nummer des neuen Programmes im MEMORY Display und ihr Name in der oberen Display-Zeile (die Abkürzungen der in diesem Programm aktivierten Effekte erscheinen in der unteren Display-Zeile). Erst wenn Sie die [RECALL]-Taste drücken, wird das Programm geladen.

ACHTUNG: Wenn der FX900 einen Programmwechselbefehl empfängt, mit dem ein anderes Programm aufgerufen wird, erscheint in der unteren Display-Zeile kurz ein "M".



1. Wenn Sie sich nicht bereits im MEMORY Mode befinden (soll heißen: wenn die Diode der [MEMORY]-Taste nicht leuchtet), drücken Sie die [MEMORY]-Taste, um diesen Mode aufzurufen.

ACHTUNG: Wenn Sie sich im UTILITY Mode befinden (d.h. wenn die Diode der entsprechende Taste leuchtet), dann müssen Sie ihn erst verlassen, indem Sie die [UTILITY]-Taste so lange gedrückt halten, bis die Diode erlischt. Anschließend müssen Sie den MEMORY Mode aufrufen.

2. Wenn nötig, müssen Sie anschließend die Taste [USER/PRESET] drücken, um den PRESET- oder USER-Speicher zu wählen.
3. Mit dem [DATA ENTRY]-Regler oder den Tasten [▲] [▼] müssen Sie nun eine Speichernummer wählen. Sie könnten eine dieser Tasten gedrückt halten, um die gewünschte Nummer schneller anzufahren oder die Taste der richtigen Richtung betätigen und gleichzeitig die andere drücken, wenn die Einstellung noch schneller erfolgen soll.

4. Die Nummer des angewählten Programmes sollte nun blinken, um anzuzeigen, daß das Programm zwar abrufbereit, aber noch nicht geladen ist. Drücken Sie also die Taste [RECALL], um das Programm zu aktivieren. Danach blinkt die Programmnummer nicht mehr, sondern sie leuchtet.

6. Editieren

Es gibt keine "goldene Regel" für das Editieren der Effektparameter. Sie werden aber feststellen, daß Sie sehr bald Ihre eigenen Tricks und Abkürzungen für den Gebrauch des FX900 entwickeln. Ganz allgemein kann man den Editiervorgang in mehrere Etappen unterteilen:

1. Die Wahl der benötigten Effekte.
2. Festlegen, wie sie miteinander verkettet werden (d.h. welcher Algorithmus sich am besten für den beabsichtigten Sound eignet und wie man die Effekte den Blöcken zuordnet).
3. Erforderlichenfalls editieren der Parameter.
4. Speichern des neuen Programmes.

In manchen Fällen werden Sie den Spielhilfen bestimmte Funktionen zuordnen wollen. Und ebenso wichtig ist das Vergeben eines Namens (Title-Funktion des UTILITY Mode, S. 146).

In diesem Kapitel wollen wir uns auf die obengenannten Schritte beschränken und diese kurz erläutern.

■ Ein- und ausschalten der Effektgruppen

Die Effektgruppen des FX900 -und damit der innerhalb der Gruppen aktivierte Effekt- können einzeln zu- und abgeschaltet werden. Drücken Sie zu diesem Zweck eine der EFFECT ON-Tasten: [DYN], [REV1], [MOD] oder [REV2]. Hierdurch schalten Sie die entsprechende Gruppe abwechselnd ein (Diode leuchtet) und aus (Diode erlischt). Wenn Sie eine Gruppe ausschalten, wird sie umgangen und spielt daher keine Rolle mehr im Algorithmus oder der gewählten Kombination. Es ist übrigens durchaus denkbar, daß Sie ab und zu auf die ein oder andere Gruppe verzichten, weshalb Sie sie kurzerhand ausschalten sollten.

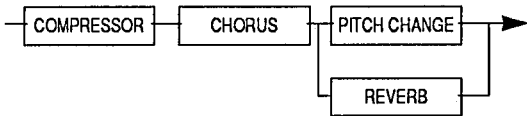
ACHTUNG: Der Status der Effektgruppen (ein- oder ausgeschaltet) wird bei der Ausführung des STORE-Befehls (siehe "Speichern" auf S. 122) gemeinsam mit den übrigen Parameterwerten gespeichert.

■ Algorithmuswahl

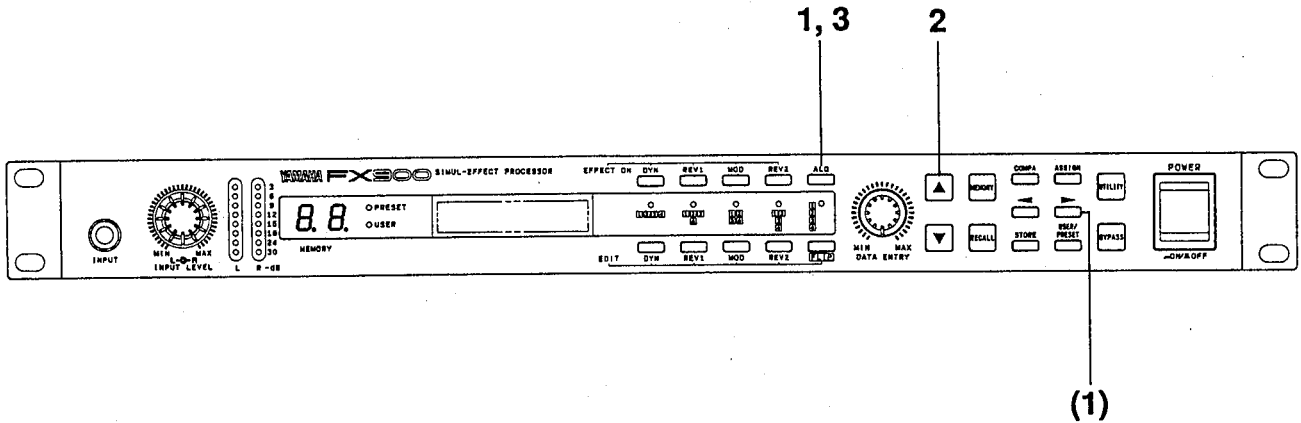
Bei der Wahl des Algorithmus' für die Verkettung der Effekte sollte man logisch vorgehen. Sehen wir uns einmal nachstehende Effektkette an:



Wenn man einen Kompressor verwendet, dann befindet dieser sich meist an erster Stelle, da es für die übrigen Effekte sehr dienlich ist, wenn das Signal gleichförmig ankommt (d.h. keine all zu großen Signalschwankungen aufweist). In unserem Beispiel folgen gleich danach der Chorus- und der Verstimmungseffekt (Pitch Change). Das letzte Glied einer Effektkette ist meistens der Hall, weil wir alle Effekte verhallen möchten (außerdem klingt ein "chorusierter" Hall nur in den seltensten Fällen interessant). So, und was passiert, wenn man diese Reihenfolge abwandelt?

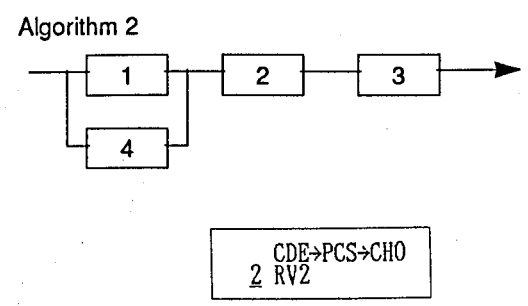
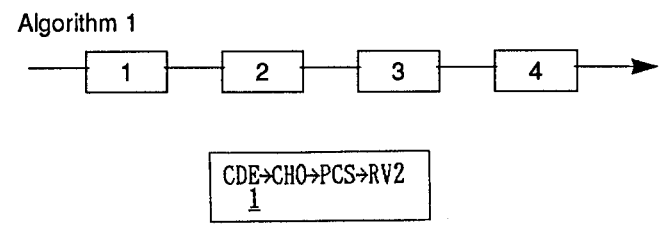


Jetzt wird der Hall parallel zum Verstimmungseffekt gebraucht. Das bedeutet, daß nur der Chorus und der Kompressor verhallt werden, aber gleichzeitig auch am Verstimmungseffekt anliegen und daß der Gesamt-Sound eine Mischung von trockenem Kompressor/Chorus/Pitch Change und verhalltem Kompressor/Chorus darstellt. Das ist doch schon einmal was, oder? Der FX900 ist also tatsächlich sehr flexibel und vielseitig. Vielleicht ist die beste Art des "Sound Designs" (noble Bezeichnung) diejenige, bei der man sich erst ein Bild von dem beabsichtigten Klang macht und dann einen Algorithmus wählt, mit dem sich die Idee verwirklichen läßt, und das Ganze dann ausprobiert. Hat das nicht den gewünschten Erfolg, sollte man eine andere Anordnung wählen. Nach einer Weile werden Sie bestimmt ein Gefühl für die Möglichkeiten und die zu wählenden Algorithmen entwickeln, was das Programmieren erheblich beschleunigt und erleichtert.

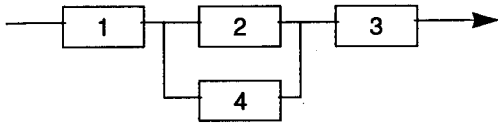


1. Drücken Sie [ALG]-Taste, damit ihre Diode leuchtet. Darauf zeigt das Display den gegenwärtig gewählten Algorithmus an, und der Cursor befindet sich unter der Algorithmus-Nummer links unten im Display (den Cursor können Sie hinterher mit den Tasten [◀] und [▶] woanders hinführen, aber im Moment brauchen wir die Algorithmus-Nummer).
2. Mit dem [DATA ENTRY] Regler oder mit den Tasten [▲] und [▼] wählen Sie danach einen anderen Algorithmus.
3. Drücken Sie noch einmal die [ALG]-Taste, um wieder in den zuvor angewählten Mode zu wechseln.

Im Display werden die Algorithmen folgendermaßen angezeigt (die Effektzuordnungen stammen aus dem PRESET-Programm 1: Grand Dist.):

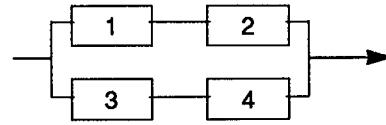


Algorithm 3



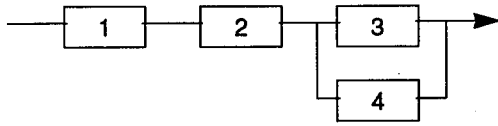
CDE→CHO→PCS
3 RV2

Algorithm 8



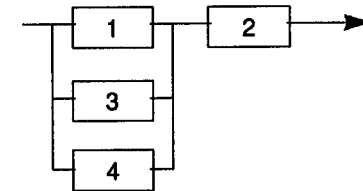
CDE→CHO
8 PCS→RV2

Algorithm 4



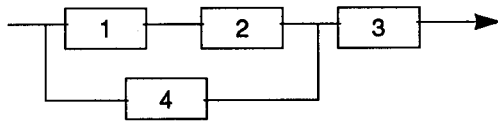
CDE→CHO→PCS
4 RV2

Algorithm 9



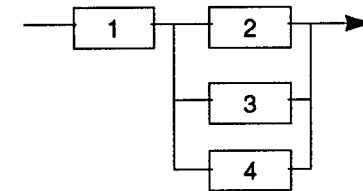
--CDE--→CHO
9 PCS/RV2

Algorithm 5



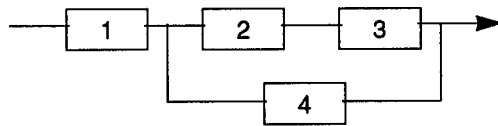
CDE→CHO→PCS
5 --→RV2--→

Algorithm 10



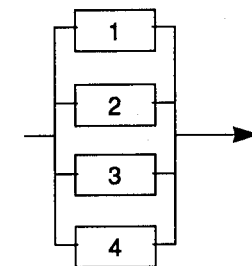
CDE--→CHO--→
10 PCS/RV2

Algorithm 6



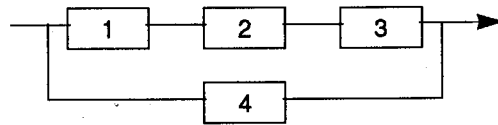
CDE→CHO→PCS
6 --→RV2--→

Algorithm 11



---→CDE---→
11 CHO/PCS/RV2

Algorithm 7

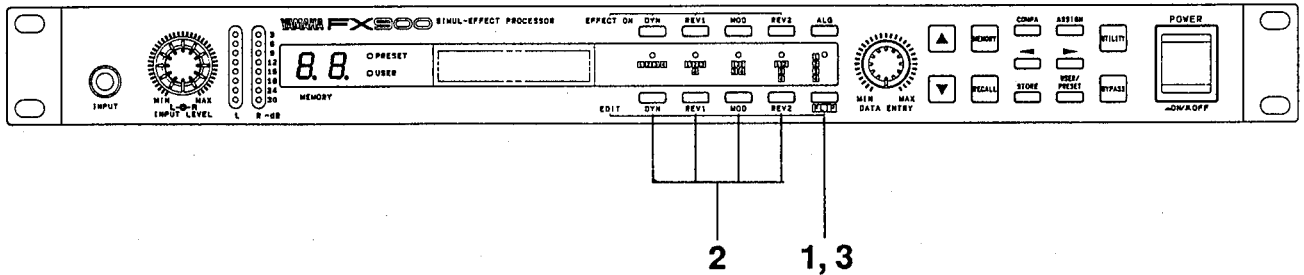


CDE→CHO→PCS
7 ----→RV2----→

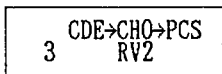
■ Reihenfolge und Anwahl der Effekte

Im Algorithmus-Betrieb (solange die Diode der [ALG]-Taste leuchtet), können Sie die Reihenfolge der Effektgruppen selbst bestimmen und jedem Block einen Effekt der vier Gruppen zuordnen.

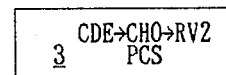
● Reihenfolge der Effektgruppen



1. Drücken Sie die [FLIP]-Taste, damit die entsprechende Diode leuchtet (die Diode der [ALG]-Taste leuchtet nun ebenfalls, sofern das nicht bereits der Fall war). In diesem Beispiel wollen wir die Reihenfolge des PCS-Effektes (REV1-Gruppe) und des RV2-Effektes (REV2-Gruppe) umkehren.



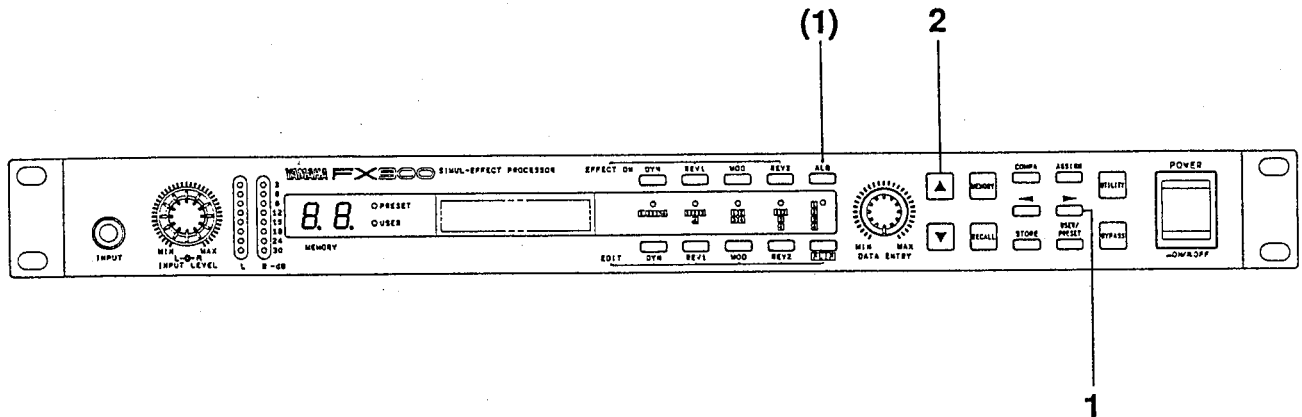
3. Drücken Sie noch einmal die [FLIP]-Taste, um die Reihenfolge dieser beiden Effekte umzukehren. Die Diode der [FLIP]-Taste erlischt dann wieder.



2. Drücken Sie die EDIT-Taste der Effektgruppen, deren Effektreihenfolge geändert werden soll -in unserem Beispiel wären das die Tasten [REV1] und [REV2]. Danach blinken die Namen der gewählten Effekte abwechselnd im Display.



● Anwahl der Effekte



1. Im Algorithmus-Betrieb (solange die Diode der [ALG]-Taste leuchtet) drücken Sie auf [◀] oder [▶], um den Cursor zu dem Effekt zu führen, an dessen Stelle ein anderer verwendet werden soll.
2. Mit dem [DATA ENTRY] Regler oder mit [▲] und [▼] wählen Sie einen anderen Effekt.

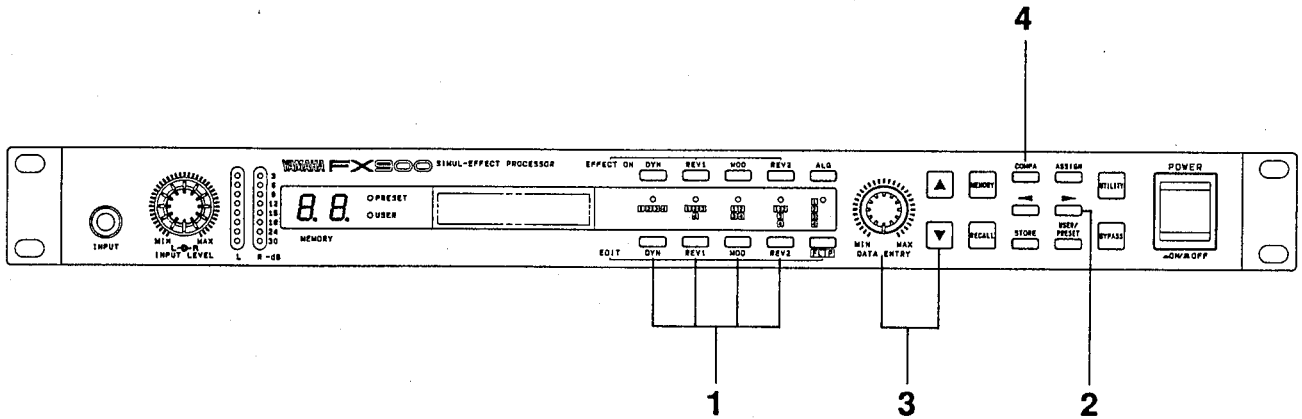
Zu aller Sicherheit geben wir Ihnen hier noch einmal die Liste der Effekte und ihre Abkürzungen:

Gruppe	Effekt	Bezeichnung
DYN	CDE	Compression/Distortion/Equalizer
	CMP	Dual Compressor (*)
	ENH	Stereo Enhancer
	WAH	Stereo Wah (*)
	PEQ	Dual Parametric Equalizer
	MBD	Multi-band Distortion
	CDW	Compressor/Distortion/Equalizer/Wah
	DST	Stereo Distortion/Equalizer
REV1	PCM	Mono Pitch Change
	PCS	Stereo Pitch Change
	RV1	Reverb 1
	ER1	Early Reflections 1
	DL1	Mono Delay 1
	EC1	Echo (Stereo Delay) 1
	MD1	Modulation Delay 1
	MT1	Multi Tap Delay 1
MOD	CHO	Chorus
	FLG	Flanger
	SYM	Symphonic
	TRM	Tremolo
	PAN	Round Pan
REV2	RV2	Reverb 2
	ER2	Early Reflections 2
	DL2	Mono Delay 2
	EC2	Echo (Stereo-Delay) 2
	MT2	Multi Tap Delay 2
	R+D	Reverb + Delay

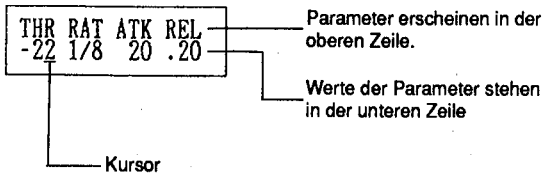
(*) "Dual"-Programme haben getrennt programmierbare Parameter für den linken und rechten Kanal. Die Parameter "Stereo"-Programme gelten für beide Kanäle.

■ Anwahl und Editieren der Parameter

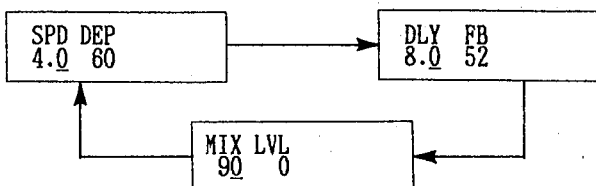
Im Editierbetrieb des FX900 kann man die Werte verschiedener wichtiger Effekt-Parameter ändern, damit der Klang genau den Vorstellungen entspricht. Sobald Sie alle Parameter eingestellt haben und mit dem Klangergebnis zufrieden sind, sollten Sie das Programm in einem der USER-Speicher unterbringen, damit Sie es später wieder aufrufen können.



1. Den Editierbetrieb erreicht man, indem man die EDIT-Taste der Effektgruppe drückt, in der sich der Effekt befindet ([DYN], [REV1], [MOD] oder [REV2]). Die Abkürzungen der Parameter erscheinen in der oberen und ihre Werte in der unteren Display-Zeile (eine eingehende Beschreibung finden Sie im nächsten Kapitel).



2. Mit den Kursortasten [◀] und [▶] führen Sie den Cursor zu einem der Parameter. Bei den meisten Effekten reicht eine Anzeigeseite nicht aus, um alle Parameter anzuzeigen. Deshalb erscheint die nächste Seite, wenn Sie den Cursor nach Anwahl des letzten Parameters noch weiter nach links führen. Nach Anwahl des letzten Parameters kehren Sie wieder zur ersten Anzeigeseite zurück. Sie können die andere(n) Anzeigeseite(n) auch direkt aufrufen, indem Sie die EDIT Taste drücken, deren Diode leuchtet. Der MOD FLG-Effekt hat z.B. folgende Anzeigeseiten:

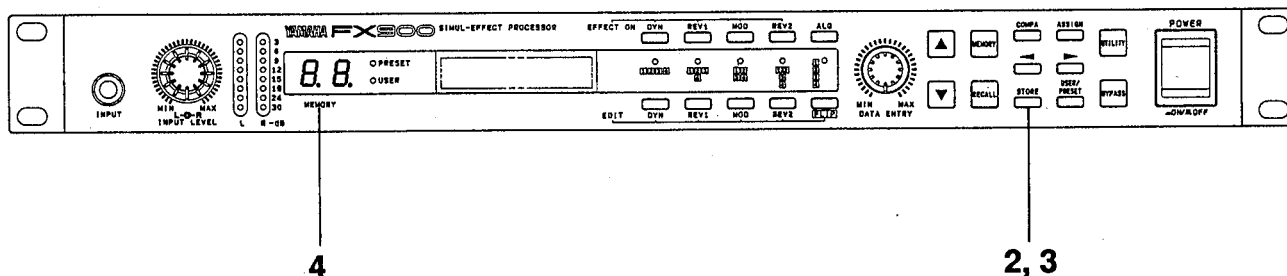
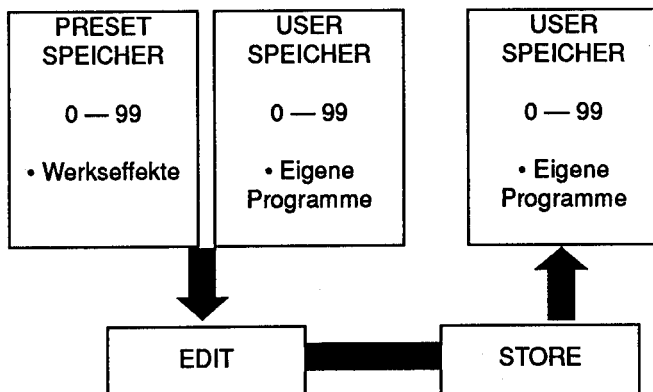


3. Mit dem [DATA ENTRY]-Regler oder den Tasten [▲] und [▼] ändern Sie den Wert des gewählten Parameters. Sie könnten eine dieser Tasten gedrückt halten, um den gewünschten Wert schneller anzufahren oder die Taste der richtigen Richtung ([▲] oder [▼]) betätigen und gleichzeitig die andere ([▲] oder [▼]) drücken, wenn die Einstellung noch schneller erfolgen soll.
4. Sie können das editierte Programm jederzeit mit dem Original vergleichen. Drücken Sie zu diesem Zweck die [COMPA]-Taste. Solange die Diode der [COMPA]-Taste leuchtet, hören Sie wieder die ursprüngliche Fassung. Drücken Sie diese Taste noch einmal (Diode erlischt wieder), um mit dem Editieren fortzufahren.

ACHTUNG: Um zu verhindern, daß Sie wichtige Daten aus Versehen löschen, zeigt der FX900 die Meldung "RECALL OK?" an, wenn Sie während des Editierens die [RECALL]-Taste drücken. Wenn Sie tatsächlich wieder die ursprüngliche Fassung aufrufen und wieder in den MEMORY Mode wechseln möchten, dann drücken Sie die [RECALL]-Taste noch einmal. Haben Sie aber aus Versehen diese Taste gedrückt, dann brauchen Sie nur eine andere Taste (also auf keinen Fall [RECALL]) zu drücken, um weiterzumachen.

■ Speichern (Store)

Ein editiertes Effektprogramm sollten Sie in einem der USER-Speicher des FX900 (0-99) ablegen, da man es dann genau so leicht aufrufen kann wie die PRESET-Programme. Der Status der Effekte (ein- oder ausgeschaltet), der gewählte Algorithmus und die Effektzuordnungen werden gemeinsam mit den übrigen Parameterwerten gespeichert. Mit der TITLE EDIT Funktion des UTILITY Modes können Sie den neuen Programmen einen anderen Namen geben, nachdem Sie sie gespeichert haben.



1. Rufen Sie nach dem Editieren der Parameter den MEMORY Mode auf und wählen Sie den USER-Speicher (0 — 99), in dem Sie die editierten Daten ablegen möchten (drücken Sie auf keinen Fall die [RECALL]-Taste).

2. Betätigen Sie anschließend die [STORE]-Taste.

STORE OK ?
PRE: 1 → USR:12

Im vorliegenden Beispiel wird die editierte Fassung des PRESET-Programms 1 im USER-Speicher 12 abgelegt.

3. Drücken Sie noch einmal die [STORE]-Taste. Hierauf zeigt das Display kurz die unten abgebildete Meldung an. Wenn Sie das Programm lieber nicht abspeichern, sollten Sie statt [STORE] eine andere Taste drücken.

MEMORY STORE
PRE: 1 → USR:12

4. Nach dem Speichern eines Programms ruft der FX900 automatisch den soeben gewählten Zielspeicher auf (die Nummer in der MEMORY Anzeige blinkt nun nicht mehr).

5. Mit der TITLE EDIT Funktion des UTILITY Modes können Sie schließlich den Namen des Programms ändern. Nähere Einzelheiten hierzu finden Sie auf S. 146.

ACHTUNG: Wenn Sie versuchen, ein Programm in einem PRESET-Speicher abzulegen, wird nachstehende Meldung angezeigt. In diesem Fall wird der Speicherbetrieb abgebrochen.

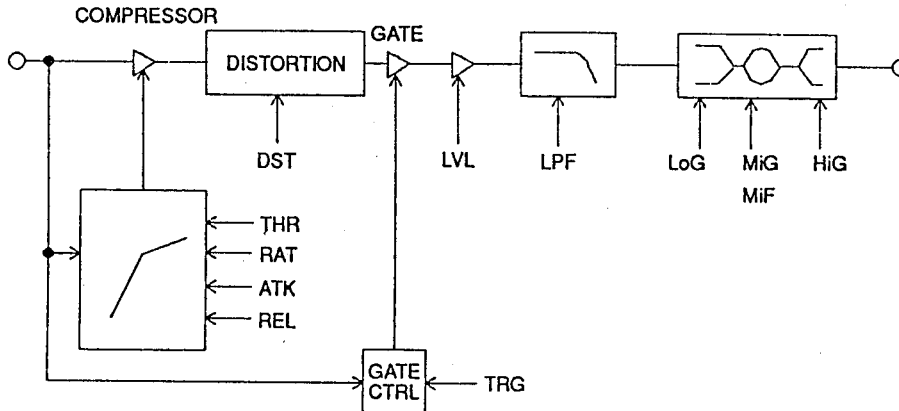
* CANNOT STORE *
PRESET AREA

7. Effekte und Parameter

■ DYN (Dynamic) Gruppe

● CDE (Compression/Distortion/Equalizer)

Dieser Effekt enthält einen vielseitigen Kompressor, einen Verzerrer und einen dreibandigen Equalizer.



THR	RAT	ATK	REL
-20	1/∞	5.0	.20

DST	TRG	LPF	LVL
150	-45	THRU	-10

LoG	MiG	MiF	HiG
-7	+2	2.2k	0

ATK (Einschwingrate: 1.0 — 20mS)

Der Zeitpunkt, zu dem der Kompressor einsetzt, sobald ein Signal oberhalb des Grenzwertes eingegangen ist. Je größer dieser Wert, desto träger ist der Kompressor, so daß die Attack (Einschwingrate oder Beginn) der Klänge nicht zusammengedrückt wird, wenn das nicht in Ihrem Sinn ist. Gebrauchen Sie diesen Parameter vor allem, um die Attack eines Klanges zu wahren, während das Sustain verlängert wird.

REL (Abklingrate: 0.01 — 2.0 sec)

Die Geschwindigkeit, mit der der Kompressor ausgeschaltet wird, sobald das Signal unter den Grenzwert (THR) absinkt. Hiermit "glättet" man eventuelle Signalschwankungen, wenn das Signal nicht fortwährend über dem Grenzwert liegt.

Kompressor

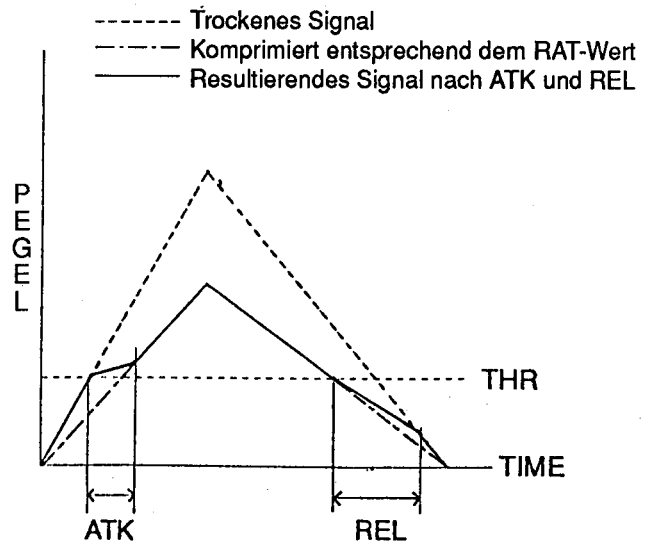
Der Kompressor bewirkt ein längeres Sustain (Anhalten der Noten) und ein gleichförmigeres Signal (da Spitzen abgeschwächt und schwache Signale verstärkt werden). Am besten verwendet man den Kompressor immer als erstes Glied der Effektkette, da ein "kompakteres" Signal von den übrigen Effekten besser verdaut wird.

THR (Grenzwert: -42 — 0dB)

Hiermit stellen Sie den Grenzwert des Kompressors ein. Alle Signale, die über dem eingestellten Wert liegen, werden abgeschwächt. Signale unterhalb dieses Wertes bleiben unverändert.

RAT (Verhältnis: 1/2, 1/3, 1/4, 1/6, 1/8, 1/∞)

Hiermit wählt man das Kompressionsverhältnis. Wenn Sie z.B. den Wert "1/2" wählen, dann wird die Amplitude aller Signale oberhalb des eingestellten Grenzwertes (siehe oben) halbiert. Der Wert "1/∞" bedeutet, daß die Signale vollständig komprimiert werden, was auch das beste Sustain und denselben Signalpegel für alle Signale zur Folge hat.



Verzerrer (Distortion)

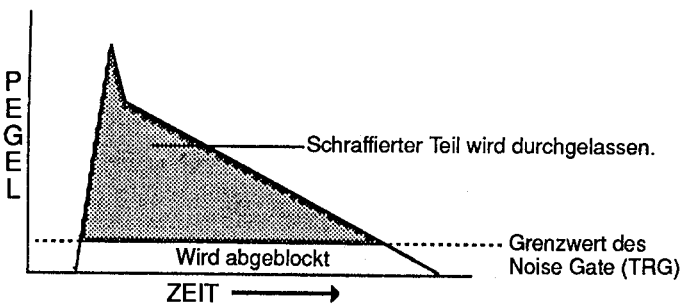
Die CDE-Stufe liefert eine gleichförmige und obertonreiche Verzerrung, die man sehr exakt programmieren kann. Diese Effektstufe ist außerdem mit einem Noise Gate ausgestattet, das alle unerwünschten Nebengeräusche unterdrückt.

DST (Verzerrungsgrad: 0 — 200)

Hiermit wählen Sie die Verzerrungsintensität. Je größer dieser Wert, desto stärker werden die Signale verzerrt.

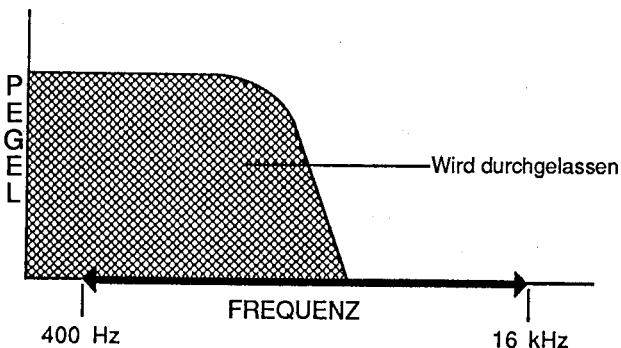
TGR (Grenzwert für das Noise Gate: -80 — -30dB)

Mit diesem Parameter stellen Sie den Grenzwert für das Noise Gate ein. Alle Signale unterhalb dieses Wertes werden unterdrückt, so daß man zu keiner Zeit Rauschen hört. Aber Vorsicht: Wenn Sie einen großen Wert einstellen, kann es sein, daß bestimmte Noten vorzeitig abgebrochen werden.



LPF (Tiefpaßfilter-Frequenz: 500Hz — 16kHz, THRU)

Hiermit ändern Sie die Klangfarbe des verzerrten Signales. Der Wert "500Hz" bedeutet, daß nur die Frequenzen unterhalb 500 Hz durchgelassen werden, was den Klang baßlastig macht. Je größer der hier eingestellte Wert, desto mehr Frequenzen sind hinterher im Signal vertreten. Wählen Sie "THRU", dann ist der Tiefpaßfilter ausgeschaltet.

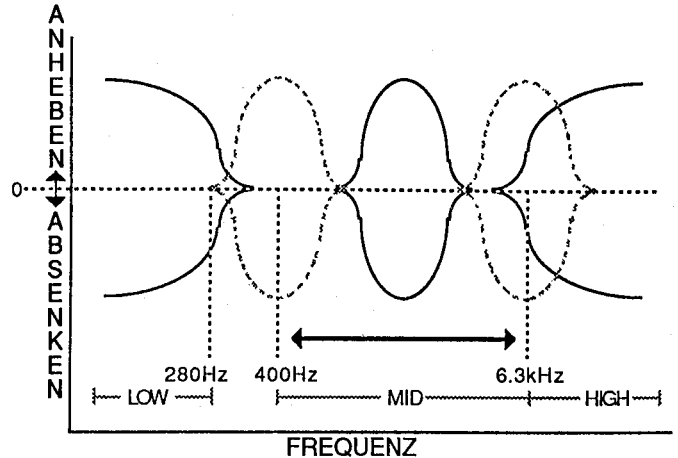


LVL (Ausgangspegel: -∞, -30 — +6dB)

Hiermit regelt man den Ausgangspegel des CDE-Effektes. Wenn Sie den Wert $-\infty$ wählen, ist der Effekt ausgeschaltet. Gleichzeitig bedeutet dieser Wert jedoch, daß auch alle nachfolgenden Effekte (sofern sie in Serie geschaltet sind) kein Signal mehr erhalten, was nicht besonders sinnvoll ist. Am besten schaltet man den CDE-Effekt mit der entsprechenden EFFECT ON Taste auf der Frontseite aus.

Equalizer

Schließlich ist die CDE-Stufe noch mit einem dreibandigen Equalizer ausgestattet, mit dem man das Signal entzerren kann. Die Tiefen, Mitten und Höhen können maximal um 15dB angehoben und abgeschwächt werden. Außerdem sind die Muten im großzügig bemessenen Bereich von 400Hz — 6.3kHz durchstimmbar.



LoG (Anheben/Absenken der Tiefen: -15dB — +15dB)

Mit diesem Parameter bestimmt man den Pegel der Frequenzen unterhalb 280Hz. Der Wert "+0" bedeutet, daß die Lautstärke dieses Frequenzbereiches unverändert bleibt. Mit negativen Werten senkt man ihren Pegel ab und mit positiven hebt man ihn an.

MiG (Anheben/Absenken der Mitten: -15dB — +15dB)

Mit diesem Parameter bestimmt man den Pegel der Mitten. Der Wert "+0" bedeutet, daß dieser Frequenzbereich unverändert bleibt. Mit negativen Werten senkt man ihren Pegel ab und mit positiven hebt man ihn an.

MiF (Frequenzband der Mitten: 400Hz — 6.3kHz)

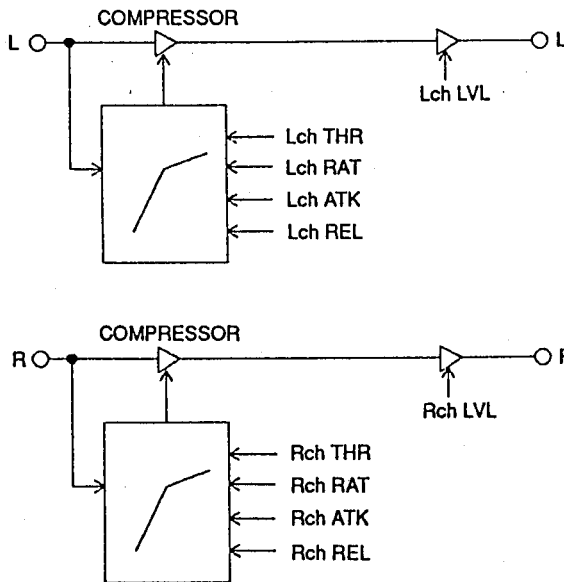
Hiermit wählt man die Frequenzen, die bearbeitet werden sollen.

HiG (Anheben/Absenken der Höhen: -15dB — +15dB)

Mit diesem Parameter bestimmt man den Pegel der Frequenzen oberhalb 6.3kHz. Der Wert "+0" bedeutet, daß dieser Frequenzbereich unverändert bleibt. Mit negativen Werten senkt man ihren Pegel ab und mit positiven hebt man ihn an.

● CMP — Dual Compressor

Diesen Kompressor kann man für den linken und rechten Kanal separat programmieren.



Lch THR RAT ATK
-20 1/∞ 5.0

Lch REL LVL
.20 -10

Rch THR RAT ATK
-20 1/∞ 5.0

Rch REL LVL
.20 -10

Lch REL (Abklingrate für den linken Kanal: 0.01 — 2.0 sec)

Die Geschwindigkeit, mit der der Kompressor des linken Kanals ausgeschaltet wird, sobald das Signal unter den Grenzwert (THR) absinkt. Hiermit "glättet" man eventuelle Signalschwankungen, wenn das Signal nicht fortwährend über dem Grenzwert liegt. Siehe S. 123.

Lch LVL (Ausgangspegel für den linken Kanal: -∞, -30 — +6dB)

Der Ausgangspegel für den linken Kanal.

* Diese Parameter gibt es auch für den rechten Kanal (Rch).

Lch THR (Grenzwert für den linken Kanal: -36 — 0dB)

Hiermit stellt man den Grenzwert für den linken Kanal ein. Siehe S. 123.

Lch RAT (Verhältnis für den linken Kanal: 1/2, 1/3, 1/4, 1/6, 1/8, 1/∞)

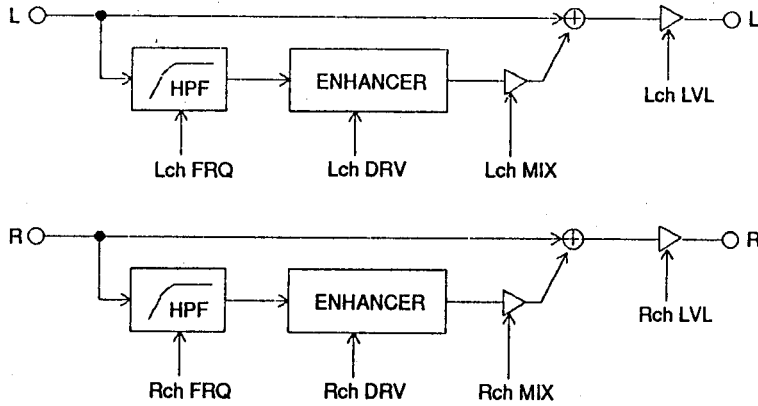
Hiermit wählt man das Kompressionsverhältnis für den linken Kanal. Siehe S. 123.

Lch ATK (Einschwingrate für den linken Kanal: 1.0 — 20mS)

Der Zeitpunkt, zu dem der Kompressor des linken Kanals einsetzt, sobald ein Signal oberhalb des Grenzwertes eingegangen ist. Siehe S. 123.

● ENH — Stereo Enhancer

Dieser Effekt versieht ein Signal mit den passenden Obertönen und macht sie dadurch brillanter, so daß man sie besser wahrnimmt, ohne ihren Pegel anzuheben.



Lch	FRQ	DRV	MIX
	700	60	25

Rch	FRQ	DRV	MIX
	700	60	25

Lch LVL	Rch LVL
-6	-6

Lch FRQ (Hochpaßfrequenz für den linken Kanal: 400 Hz — 10.0kHz)

Hiermit stellt man den Grenzwert für den Hochpaßfilter des linken Kanals ein. Auf diese Weise kann man selbst wählen, welche Frequenzen besonders hervorgehoben werden sollen. Da es sich um einen Hochpaßfilter handelt, werden nur die Frequenzen oberhalb des Grenzwertes angehoben.

Lch DRV (Anhebung für den linken Kanal: 0 — 100)

Hiermit bestimmt man, wie stark die Obertöne des linken Kanals betont werden. Der Wert "0" bedeutet, daß das Signal unverändert bleibt.

Lch MIX (Verhältnis für den linken Kanal: 0 — 50%)

Die Balance zwischen dem ursprünglichen und dem bearbeiteten Signal. Der Nullwert bedeutet, daß man die Obertöne nicht hört.

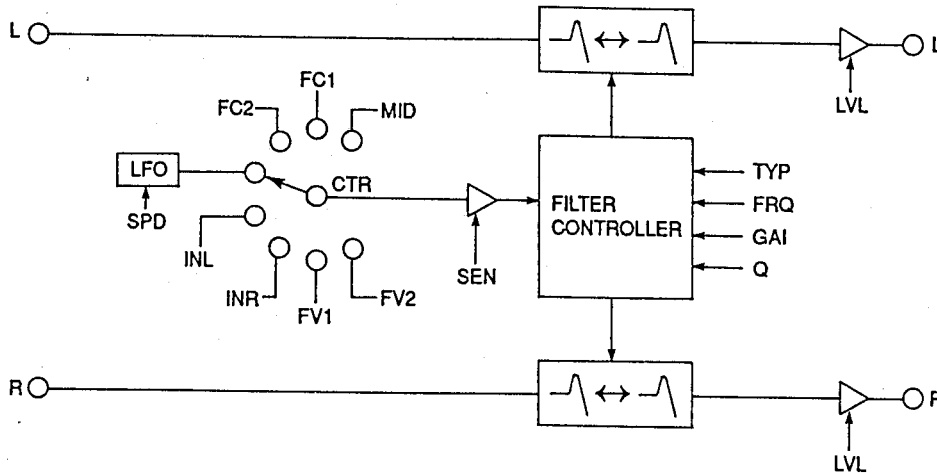
Lch LVL (Ausgangspegel des linken Kanals: -∞, -30 — +6dB)

Der Ausgangspegel für den ENH-Effekt des linken Kanals.

* Diese Parameter gibt es auch für den rechten Kanal (Rch).

● WAH — Stereo Wah

Dieser Stereo-Wah-Effekt wird entweder vom Eingangssignal, dem internen LFO, einem Fußschweller oder mit Hilfe von MIDI-Steurelementdaten gesteuert.



TYP	FRQ	GAI	Q
PEK	250	0	2.8

SEN	CTR	SPD	LVL
5	AUT	7.5	0

TYP (Filtertyp: PEK, LPF, HPF, BPF)

Hiermit wählt man den Filtertyp, der den Wah-Effekt generieren soll: PEK= Glocke, LPF= Tiefpaß, HPF= Hochpaß und BPF= Bandpaß.

FRQ (Frequenz: 40Hz — 8kHz)

Die Frequenz, um die herum der gewählte Filtertyp wirken soll, d.h. das Frequenzband oder die Grenzfrequenz, je nach dem gewählten Typ.

GAIN (Anhebung: -18 — +18dB)

Diesen Parameter können Sie nur einstellen, wenn Sie für TYP "PEK" gewählt haben. Hiermit stellt man den Pegel der Filterspitze ein. Negative Werte haben eine Kerbfiltercharakteristik (Notch) zur Folge und positive Werte eine Glockencharakteristik.

Q (Güte: 0.50 — 10)

Auch der "Q" Parameter gilt nur für den "PEK" Filtertyp (genau wie "GAIN"). Hiermit stellt man die Güte (die Bandbreite) der Glocke ein — je größer der Wert, desto spitzer (steiler) wird die Glocke.

SEN (Modulationsempfindlichkeit: 0 — 10)

Mit diesem Parameter wählt man die Tiefe des Wah-Effektes. Je größer dieser Wert, desto deutlicher ist der Wah-Effekt.

CTR (Steuerung: LFO, INL, INR, FV1, FV2, MID, FC1, FC2)

Mit diesem Parameter bestimmen Sie, wie der Wah-Effekt gesteuert wird.

LFO- der Wah-Effekt wird vom internen LFO (Niederfrequenzoszillator) gesteuert.

INL — der Wah-Effekt wird mit dem Pegel des linken Eingangssignales gesteuert. Je größer der Signalpegel, desto markanter ist der Wah-Effekt.

INR — der Wah-Effekt wird mit dem Pegel des rechten Eingangssignales gesteuert. Je größer der Signalpegel, desto markanter ist der Wah-Effekt.

FV1 — der Wah-Effekt wird mit Hilfe eines optionalen FC7 Fußschwellers, den man an die Buchse FOOT VOL 1 anschließt, gesteuert.

FV2 — der Wah-Effekt wird mit Hilfe eines optionalen FC7 Fußschwellers, den man an die Buchse FOOT VOL 2 anschließt, gesteuert.

FC1 — der Wah-Effekt wird mit Hilfe eines optionalen FC7 Fußschwellers gesteuert, den man an die Buchse FOOT CONTROL 1 des optionalen FC900 Foot Controllers anschließt.

FC2 — der Wah-Effekt wird mit Hilfe eines optionalen FC7 Fußschwellers gesteuert, den man an die Buchse FOOT CONTROL 2 des optionalen FC900 Foot Controllers anschließt.

MID — In diesem Fall steuert man den Wah-Effekt mit den "Foot Controller" (Steuerbefehl Nr. 4) MIDI-Daten.

SPD (Modulationsgeschwindigkeit: 0.1Hz — 10Hz)

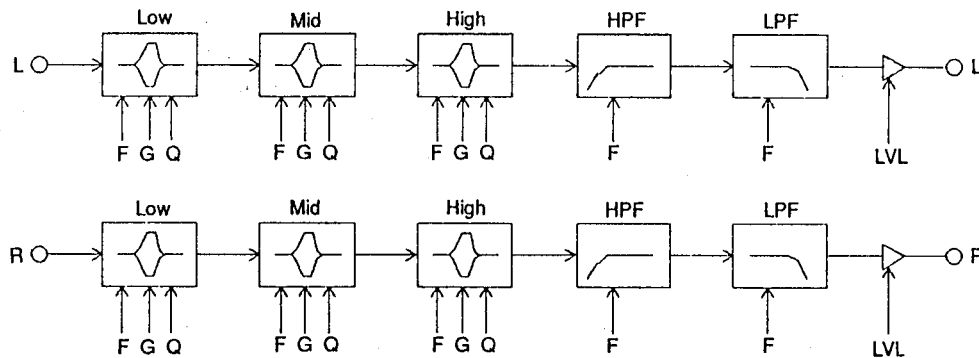
Die Geschwindigkeit des internen Niederfrequenzoszillators. Gilt nur, wenn Sie für den CTR Parameter "LFO" gewählt haben.

LVL (Ausgangspegel: -∞, -30 — +6dB)

Der Ausgangspegel des Wah-Effektes.

● PEQ — Dual Parametric Equalizer

Dies ist ein 3bandiger Equalizer mit separaten Parametern für den linken und rechten Kanal.



Lch LoG LoQ LoF
-7 1.0 140

Rch LoG LoQ LoF
-7 1.0 140

Lch MiG MiQ MiF
+2 10 2.8k

Rch MiG MiQ MiF
+2 10 2.8k

Lch HiG HiQ HiF
0 3.2 7.0k

Rch HiG HiQ HiF
0 3.2 7.0k

Lch HPF LPF LVL
THRU THRU 0

Rch HPF LPF LVL
THRU THRU 0

Lch LoG (Anheben/Absenken der Tiefen, links: -15dB — +15dB)

Mit diesem Parameter regelt man den Pegel der Tiefen. Der Wert "+0" bedeutet, daß dieser Frequenzbereich unverändert bleibt. Mit negativen Werten senkt man ihren Pegel ab und mit positiven hebt man ihn an.

Lch LoQ (Güte für die Tiefen, links: 0.10 — 10)

Hiermit stellen Sie die Bandbreite der Tiefen ein. Je größer dieser Wert, desto weniger Frequenzen werden gefiltert.

Lch LoF (Frequenzband der Tiefen, links: 40Hz — 1.0kHz)

Hiermit wählt man die Frequenzen, die bearbeitet werden sollen.

Lch MiG (Anheben/Absenken der Mitten, links: -15dB — +15dB)

Mit diesem Parameter bestimmt man den Pegel der Mitten. Der Wert "+0" bedeutet, daß dieser Frequenzbereich unverändert bleibt. Mit negativen Werten senkt man ihren Pegel ab und mit positiven hebt man ihn an.

Lch MiQ (Güte für die Mitten, links: 0.10 — 10)

Hiermit stellen Sie die Bandbreite der Mitten ein. Je größer dieser Wert, desto weniger Frequenzen werden gefiltert.

Lch MiF (Frequenzband der Mitten, links: 250Hz — 4.0kHz)

Hiermit wählt man die Frequenzen, die bearbeitet werden sollen.

Lch HiG (Anheben/Absenken der Höhen: -15dB — +15dB)

Mit diesem Parameter bestimmt man den Pegel der Höhen.

Lch HiQ (Güte für die Höhen, links: 0.10 — 10)

Hiermit stellen Sie die Bandbreite der Höhen ein. Je größer dieser Wert, desto weniger Frequenzen werden gefiltert.

Lch HiF (Frequenzband der Mitten, links: 0.1kHz — 16.0kHz)

Hiermit wählt man die Frequenzen, die bearbeitet werden sollen.

LchHPF (Hochpaßgrenzfrequenz, links: THRU, 20Hz — 1.0kHz)

Hiermit stellen Sie die Grenzfrequenz für den Hochpaßfilter des linken Kanals ein. Wenn Sie "THRU" wählen, ist der Hochpaßfilter ausgeschaltet.

LchLPF (Tiefpaßgrenzfrequenz, links: 1.0kHz — 16kHz, THRU)

Hiermit stellen Sie die Grenzfrequenz für den Tiefpaßfilter des linken Kanals ein. Wenn Sie "THRU" wählen, ist der Tiefpaßfilter ausgeschaltet.

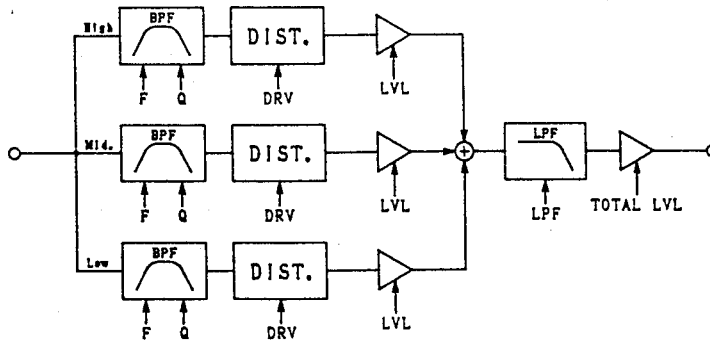
LchLVL (Ausgangspegel für den linken Kanal: ∞, -30 — +6dB)

Der Ausgangspegel des PEQ-Effektes für den linken Kanal.

* Diese Parameter gibt es auch für den rechten Kanal.

● MBD - Multi-band Distortion

Die Wirkung dieses Verzerrers kann für drei Frequenzbänder getrennt eingestellt werden, damit der Klang genau Ihren Vorstellungen entspricht.



Lo-F	Q	DRV	LVL
100	.70	20	0

Mi-F	Q	DRV	LVL
1.0k	.70	60	0

Hi-F	Q	DRV	LVL
10k	.70	70	0

LPF	TOTAL LVL
9.0k	-10

Lo-F (Verzerrte Tiefen: 80Hz — 800Hz)

Das Frequenzband der Tiefen, das verzerrt werden soll.

Lo-Q (Güte der verzerrten Tiefen: 0.10 — 10)

Die Bandbreite der Tiefen, die verzerrt werden. Je größer dieser Wert, desto weniger Tiefen werden verzerrt.

Lo-DRV (Verzerrungsgrad für die Tiefen: 0 — 200)

Die Verzerrungsintensität für die Tiefen. Je größer dieser Wert, desto stärker werden die Tiefen verzerrt.

Lo-LVL (Ausgangspegel der verz. Tiefen: -30 — +6dB)

Der Ausgangspegel der verzerrten Tiefen. Diesen Parameter sollten Sie gemeinsam mit Mi-LVL und Hi-LVL einstellen, damit das verzerrte Signal ausgewogen klingt.

Mi-F (Verzerrte Mitten: 250Hz — 2.5kHz)

Das Frequenzband der Mitten, das verzerrt werden soll.

Mi-Q (Güte der verzerrten Mitten: 0.10 — 10)

Die Bandbreite der Mitten, die verzerrt werden. Je größer dieser Wert, desto weniger Mitten werden verzerrt.

Mi-DRV (Verzerrungsgrad für die Mitten: 0 — 200)

Die Verzerrungsintensität für die Mitten. Je größer dieser Wert, desto stärker werden die Mitten verzerrt.

Mi-LVL (Ausgangspegel der verz. Mitten: -30 — +6dB)

Der Ausgangspegel der verzerrten Mitten. Diesen Parameter sollten Sie gemeinsam mit Lo-LVL und Hi-LVL einstellen, damit das verzerrte Signal ausgewogen klingt.

Hi-F (Verzerrte Höhen: 800Hz — 8.0kHz)

Das Frequenzband der Höhen, das verzerrt werden soll.

Hi-Q (Güte der verzerrten Höhen: 0.10 — 10)

Die Bandbreite der Höhen, die verzerrt werden. Je größer dieser Wert, desto weniger Höhen werden verzerrt.

Hi-DRV (Verzerrungsgrad für die Höhen: 0 — 200)

Die Verzerrungsintensität für die Höhen. Je größer dieser Wert, desto stärker werden die Höhen verzerrt.

Hi-LVL (Ausgangspegel der verz. Höhen: -30 — +6dB)

Der Ausgangspegel der verzerrten Höhen. Diesen Parameter sollten Sie gemeinsam mit Mi-LVL und Lo-LVL einstellen, damit das verzerrte Signal ausgewogen klingt.

LPF (Tiefpaßgrenzfrequenz: 500Hz — 16kHz, THRU)

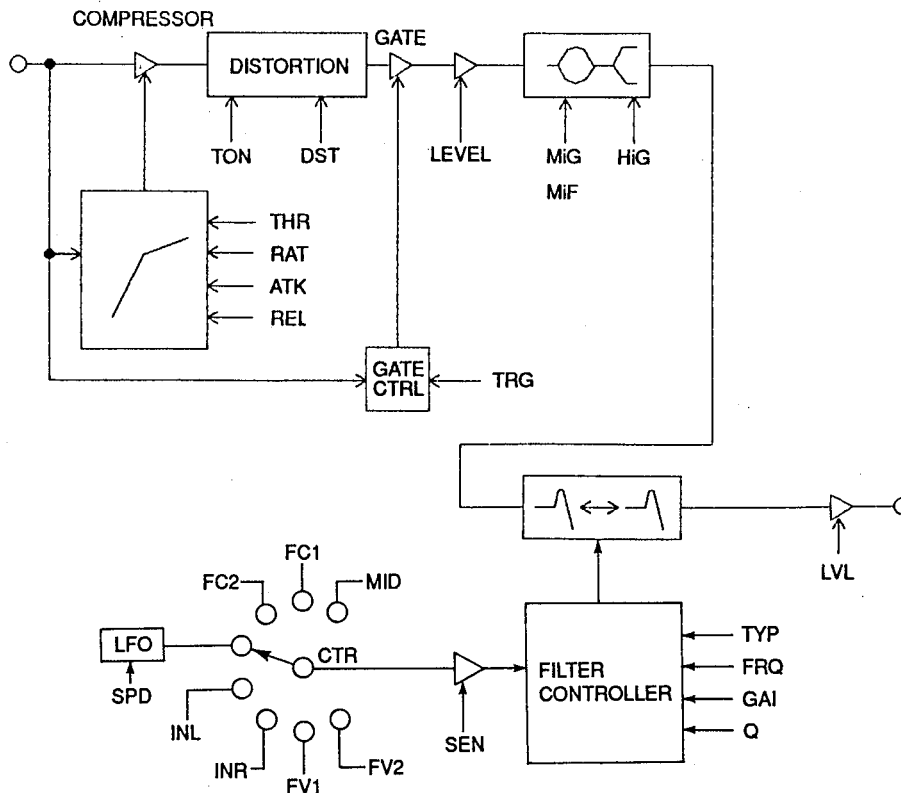
Hiermit stellen Sie die Grenzfrequenz für den Tiefpaßfilter ein. Siehe S. 124.

TOTAL LVL (Ausgangspegel des Gesamtsignales: -∞, -30 — +6dB)

Der Ausgangspegel des MBD-Effektes.

● CDW — Compressor/Distortion/Equalizer/Wah

Diese Effektgruppe, in der es nur so vor Parametern wimmelt, enthält vier Effekte: Einen Kompressor, einen Verzerrer, einen Equalizer und einen Wah-Effekt.



THR	RAT	ATK	REL
-20	1/∞	5.0	.20

DST	TRG	TON
100	-45	800

MiG	MiF	HiG
+2	2.2k	0

TYP	FRQ	GAI	Q
PEK	250	0	2.8

SEN	CTR	SPD	LVL
5	AUT	7.5	0

ATK (Einschwingrate: 1.0 — 20mS)

Der Zeitpunkt, zu dem der Kompressor einsetzt, sobald ein Signal oberhalb des Grenzwertes eingegangen ist. Siehe S. 123.

REL (Abklingrate: 0.01 — 2.0 sec)

Die Geschwindigkeit, mit der der Kompressor ausgeschaltet wird, sobald das Signal unter den Grenzwert (THR) absinkt. Siehe S. 123.

Verzerrer (Distortion)

DST (Verzerrungsgrad: 0 — 200)

Hiermit wählen Sie die Verzerrungsintensität. Je größer dieser Wert, desto stärker werden die Signale verzerrt.

TRG (Grenzwert für das Noise Gate: -80 — -30dB)

Mit diesem Parameter stellen Sie den Grenzwert für das Noise Gate ein. Siehe S. 124.

TON (Grenzfrequenz des Tiefpaßfilters: 100Hz — 8kHz)

Steuern der Klangfarbe des verzerrten Signales.

Kompressor

THR (Grenzwert: -24 — 0dB)

Hiermit stellen Sie den Grenzwert des Kompressors ein. Siehe S. 123.

RAT (Verhältnis: 1/2, 1/3, 1/4, 1/6, 1/8, 1/∞)

Hiermit wählt man das Kompressionsverhältnis. Siehe S. 123.

Equalizer

MIG (Anheben/Absenken der Mitten: -15dB — +15dB)

Mit diesem Parameter bestimmt man den Pegel der Mitten.

MIF (Frequenzband der Mitten: 400Hz — 6.3kHz)

Hiermit wählt man die Frequenzen, die bearbeitet werden sollen.

HiG (Anheben/Absenken der Höhen: -15dB — +15dB)

Mit diesem Parameter bestimmt man den Pegel der Frequenzen oberhalb 6.3kHz.

Wah-Effekt

TYP (Filtertyp: PEK, LPF, HPF, BPF)

Hiermit wählt man den Filtertyp, der den Wah-Effekt generieren soll. Siehe S. 127.

FRQ (Frequenz: 40Hz — 8kHz)

Die Frequenz, um die herum der gewählte Filtertyp wirken soll, d.h. das Frequenzband oder die Grenzfrequenz, je nach dem gewählten Typ.

GAIN (Anhebung: -18 — +18dB)

Diesen Parameter können Sie nur einstellen, wenn Sie für TYP den "PEK" Typ gewählt haben. Hiermit stellt man den Pegel der Filterspitze ein. Negative Werte haben eine Kerbfiltercharakteristik (Notch) zur Folge und positive Werte eine Glockencharakteristik.

Q (Güte: 0.50 — 10)

Der "Q" Parameter gilt nur für den "PEQ" und "BPF" Filtertyp. Hiermit stellt man die Güte (die Bandbreite) der Glocke ein - je größer der Wert, desto spitzer (steiler) wird die Glocke. Wenn Sie für TYP "LPF" oder "HPF" gewählt haben, steuern Sie mit dem Q-Wert die Resonanz (Hervorhebung der Grenzfrequenz) des entsprechenden Filters. Je größer dieser Wert, desto schmaler wird das Filterband und desto deutlicher hört man die Grenzfrequenz.

SEN (Modulationsempfindlichkeit: 0 — 10)

Mit diesem Parameter wählt man die Tiefe des Wah-Effektes. Je größer dieser Wert, desto deutlicher ist der Wah-Effekt.

CTR (Steuerung: LFO, INL, INR, FV1, FV2, MID, FC1, FC2)

Mit diesem Parameter wählen Sie, wie der Wah-Effekt gesteuert wird. Siehe S. 127.

SPD (Modulationsgeschwindigkeit: 0.1Hz — 10Hz)

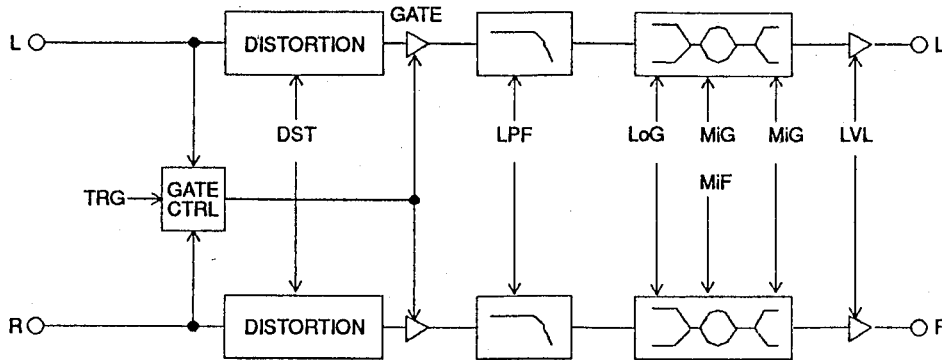
Die Geschwindigkeit des internen Niederfrequenzoszillators. Gilt nur, wenn Sie für den CTR Parameter "LFO" gewählt haben.

LVL (Ausgangspegel: -∞, -30 — +6dB)

Der Ausgangspegel des CDW-Effektes.

● DST — Stereo Distortion/Equalizer

Wenn Sie den Kompressor des CDE- oder des CDW-Effektes nicht brauchen, sollten Sie diesen Effekt wählen, der "nur" einen Verzerrer und Equalizer enthält.



DST	TRG	LPF	LVL
100	-45	7.0k	0

LoG	MiG	MiF	HiG
+2	-3	2.2k	0

HiG (Anheben/Absenken der Höhen: -15dB — +15dB)
Mit diesem Parameter bestimmt man den Pegel der Frequenzen oberhalb 6.3kHz.

Verzerrer (Distortion)

DST (Verzerrungsgrad: 0 — 200)

Hiermit wählen Sie die Verzerrungsintensität. Je größer dieser Wert, desto stärker werden die Signale verzerrt.

TGR (Grenzwert für das Noise Gate: -80 — -30dB)

Mit diesem Parameter stellen Sie den Grenzwert für das Noise Gate ein. Siehe S. 124.

LPF (Tiefpaßgrenzfrequenz: 500Hz — 16kHz, THRU)

Hiermit stellen Sie die Grenzfrequenz für den Tiefpaßfilter des verzerrten Signales ein. Siehe S. 124.

LVL (Ausgangspegel: -∞, -30 — +6dB)

Der Ausgangspegel des DST-Effektes.

Equalizer

LoG (Anheben/Absenken der Tiefen: -15dB — +15dB)

Mit diesem Parameter bestimmt man den Pegel der Frequenzen unterhalb 280Hz. Siehe S. 124.

MiG (Anheben/Absenken der Mitten: -15dB — +15dB)

Mit diesem Parameter bestimmt man den Pegel der Mitten.

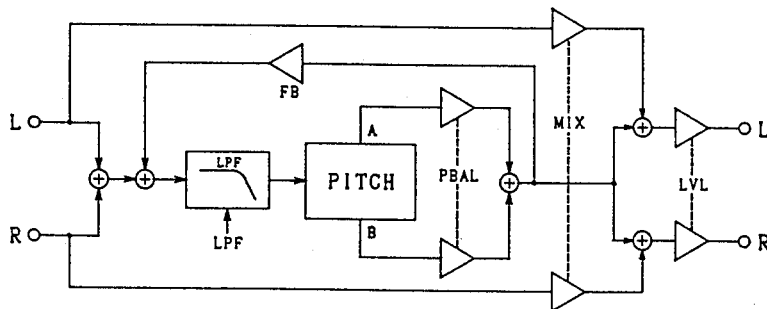
MiF (Frequenzband der Mitten: 400Hz — 6.3kHz)

Hiermit wählt man die Frequenzen, die bearbeitet werden sollen.

■ REV1 (Reverb 1) Gruppe

● PCM — Mono Pitch Change

Mit diesem Effekt kann dem Signal zwei anders gestimmte Noten hinzufügen und auf diese Weise mit einer Note ganze Akkorde erzeugen.



PCA	FINA	DLYA
+4	+8	1300.0

PCB	FINB	DLYB
+5	+8	325.0

PBAL	LPF	FB
A=B	THRU	+30

KEY	MIX	LVL
OFF	50	0

PCA (1. Transponierung: -12 — +12)

PCB (2. Transponierung: -12 — +12)

Mit diesen Parameter transponiert man die Tonhöhe des ursprünglichen Signals in Halbtonschritten (maximal eine Oktave höher/tiefer).

FINA (1. Feinstimmung: -100 — +100)

FINB (2. Feinstimmung: -100 — +100)

Die beiden hinzugefügten Noten lassen sich auch (nur) verstimmen. Dies geschieht in Cent-Schritten (1 Cent= 1 Halbtonhundertstel).

DLYA (1. Verzögerung: 0.1 — 1300ms)

DLYB (2. Verzögerung: 0.1 — 1300ms)

Mit den DLY-Parametern stellt man eine Verzögerung zwischen dem ursprünglichen Signal und den beiden hinzugefügten Noten ein.

PBAL (Balance der neuen Noten: A=50 — A=1, A=B, B=1, B=50)

Hiermit programmiert man das Lautstärkeverhältnis zwischen den beiden hinzugefügten Noten. Der Wert "A=50" bedeutet beispielsweise, daß man nur das "A" (erste) und das ursprüngliche Signal hört. Mit "A=B" ist die Balance zwischen den beiden neuen Noten ausgewogen. Der Wert "B=50" bedeutet, daß man nur das B (zweite) und das trockene Signal hört.

LPF Tiefpaßgrenzfrequenz: 1.0kHz — 11kHz, THRU)

Hiermit stellen Sie die Grenzfrequenz des Tiefpaßfilters ein. Wählen Sie "THRU", so werden alle Signale durchgelassen.

FB (Rückkopplung: -100 — +100%)

Wenn Sie den Wert "0" wählen, hören Sie die hinzugefügte(n) Note(n) (je nach Einstellung des PBAL Parameters) nur einmal, und zwar nachdem die für DLY programmierte Zeit verstrichen ist. Stellen Sie einen anderen Wert ein, so werden die hinzugefügten Signale mehrmals wiederholt und zugleich noch einmal transponiert. Handelt es sich um einen negativen Wert, so werden die Noten immer tiefer transponiert. Bei positiven Werten wird jede Wiederholung höher transponiert.

KEY (Ausgangsnote: OFF, C1 — C6)

Mit diesem Parameter wählen Sie den "Grundton" (eigentlich den Nullwert) für die Steuerung des PCA/PCB-Parameters mit Hilfe eines MIDI-kompatiblen Synthesizers (und das sind sie mittlerweile alle). Es versteht sich wohl von selbst, daß man die Buchse MIDI OUT des Synthesizers mit der Buchse MIDI IN des FX900 verbinden und für beide Geräte denselben MIDI-Kanal wählen muß. Wenn Sie für "KEY" die Note C4 einstellen, so wählen Sie mit der Taste C3 den PC-Wert "-12", weil das C3 genau eine Oktave unter dem eingestellten "Nullwert" liegt. Drücken Sie hingegen die Taste D4, so erhöhen Sie den PC-Wert um zwei Halbtöne (+2). Wenn Sie zwei Manualtasten zugleich drücken, dann stellen Sie mit der höheren Note den PCA-Wert (bzw. PCB im Falle des PCS-Programmes) und mit der unteren den PCB (bzw. PCR im Falle des PCS-Programmes) ein.

Wenn Sie eine Taste drücken, die weiter als eine Oktave von der KEY-Note entfernt liegt, so wird trotzdem ein Wert zwischen -12 und +12 eingestellt, und zwar nach dem unten abgebildeten Prinzip.

Wenn Sie für den KEY-Parameter "OFF" eingestellt haben, kann man die Tonhöhe nicht via MIDI ändern.

MIX (Balance: 0 — 100%)

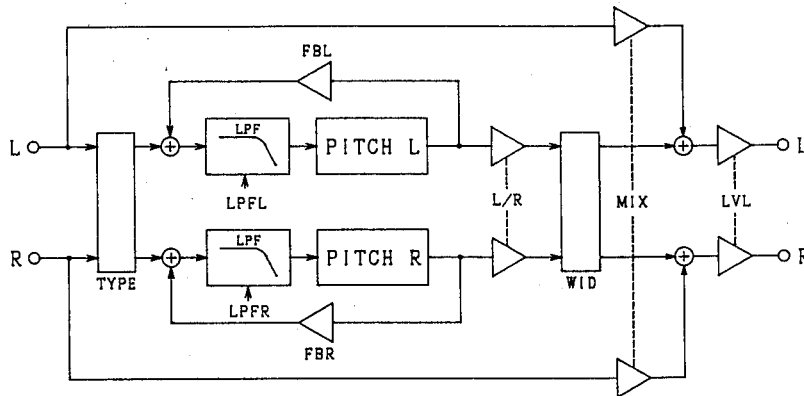
Die Balance zwischen dem trockenen (ursprünglichen) und dem Effektsignal.

LVL (Ausgangspegel: ∞, -30 — +dB)

Der Ausgangspegel des PCM-Effektes.

● PCS — Stereo Pitch Change

Genau wie beim vorangehenden Programm, werden auch hier zwei Noten zu der ursprünglichen hinzugefügt. Statt in Mono werden diese jedoch über den linken und rechten Kanal ausgegeben.



PCL FINL DLYL
+4 +8 650.0

PCR FINR DLYR
+5 +8 325.0

FBL LPFL
+30 THRU

FBR LPFR
+30 THRU

TYP L/R WID
ST L=R 10

KEY MIX LVL
OFF 50 0

PCL (1. Transponierung: -12 — +12)

PCR (2. Transponierung: -12 — +12)

Mit diesen Parameter transponiert man die Tonhöhe des ursprünglichen Signals in Halbtonschritten (maximal eine Oktave höher/tiefer: ±12). Eine Note wird über den linken Kanal (PCL) und die andere (PCR) über den rechten Kanal ausgegeben.

FINL (1. Feinstimmung: -100 — +100)

FINR (2. Feinstimmung: -100 — +100)

Die beiden hinzugefügten Noten lassen sich auch (nur) verstimmen. Dies geschieht in Cent-Schritten (1 Cent= 1 Halbtonhundertstel).

DLYL (1. Verzögerung: 0.1 — 650.0ms)

DLYR (2. Verzögerung: 0.1 — 650.0ms)

Mit den DLY-Parametern stellt man eine Verzögerung ein zwischen dem ursprünglichen Signal und den beiden hinzugefügten Noten.

FBL (Rückkopplung, links: -100 — +100%)

FBR (Rückkopplung, links: -100 — +100%)

Wenn Sie den Wert "0" wählen, hören Sie die hinzugefügte

Note des rechten oder linken Kanals nur einmal, und zwar nachdem die für DLY programmierte Zeit verstrichen ist. Stellen Sie einen anderen Wert ein, so werden die hinzugefügten Signale mehrmals wiederholt und zugleich noch einmal transponiert. Handelt es sich um einen negativen Wert, so werden die Noten immer tiefer transponiert. Bei positiven Werten wird jede Wiederholung höher transponiert.

LPFL Tiefpaßgrenzfrequenz: 1.0kHz — 11kHz, THRU)

LPFR Tiefpaßgrenzfrequenz: 1.0kHz — 11kHz, THRU)

Hiermit stellen Sie die Grenzfrequenz des Tiefpaßfilters ein. Wählen Sie "THRU", so werden alle Signale durchgelassen.

TYPE (Eingabe: ST, MONO)

Hiermit sagen Sie dem FX900, ob die Eingangssignale des linken und rechten Kanals separat an den Effekt angelegt werden sollen (ST), oder ob er sie bündeln und gemeinsam verarbeiten soll (MONO).

L/R (Balance links/rechts: L50 — L1, L=R, R1 — R50)

Hiermit programmiert man das Lautstärkeverhältnis zwischen den beiden hinzugefügten Noten. Der Wert "L50" bedeutet beispielsweise, daß man nur das "L" (erste) hört. Mit "L=R" ist die Balance zwischen den beiden neuen Noten ausgewogen. Der Wert "R50" bedeutet, daß man nur das "R" (zweite) hört.

WID (Breite: 0 — 100)

Hiermit bestimmen Sie, wie weit der linke und rechte Kanal auseinanderliegen sollen. Je größer dieser Wert, desto klarer ist der Stereo-Effekt.

KEY (Ausgangsnote: OFF, C1 — C6)

Mit diesem Parameter wählen Sie den "Grundton" (eigentlich den Nullwert) für die Steuerung des PCL/PCR-Parameters mit Hilfe eines MIDI-Synthesizers. Siehe auch den vorigen Effekt (PCM).

MIX (Balance: 0 — 100%)

Die Balance zwischen dem trockenen (ursprünglichen) und dem Effektsignal.

LVL (Ausgangspegel: ∞, -30 — +dB)

Der Ausgangspegel des PCS-Effektes.

● RV1 — Reverb 1

Hall (auf englisch nennt man das "Reverb(eration)") ist die Rauminformation, die man normalerweise bei akustischen Instrumenten hört. Da elektronische Instrumente jedoch nicht in einem Raum (sondern im Verstärker) erklingen, geht ihnen diese Information ab.

TYP	RVT	HF
Rhl	2.4	6

DLY	TYP	CutF
100.0	LPF	THRU

MIX	LVL
60	0

TYP (Halltyp: Rhl, Rrm, Rvc, Rpl)

Der FX900 ist mit verschiedenen Halltypen ausgestattet, die verschiedene Räume simulieren: Rhl simuliert einen Konzertsaal, Rrm ein Zimmer, Rvc ist ein Halltyp, der sich besonders für Gesang eignet und Rpl ist eine Nachempfindung eines Platten-Halls.

RVT (Halldauer: 0.3 — 40s)

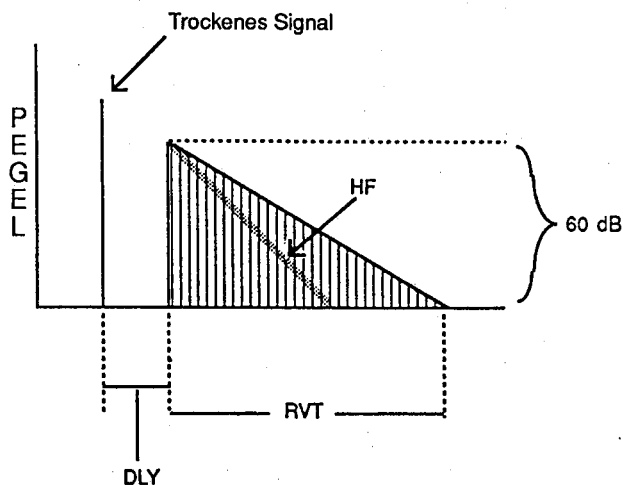
Die Zeit, die verstreicht, bis das Hallsignal um 60dB abgeklungen ist.

HF (Halldauer der Höhen: 1 — 10)

Die Halldauer der Höhen ist separat einstellbar. Meistens klingen die Höhen nämlich schneller ab als die übrigen Frequenzen. Je größer dieser Wert, desto langsamer klingen die Höhen ab.

DLY (Verzögerung: 0.1 — 335.0ms)

Hiermit stellt man eine Verzögerung für das Hallsignal ein.



TYP (Filtertyp: HPF, LPF)

Mit diesem Parameter wählen Sie den Filter, der das Hallsignal bearbeiten soll. HPF= Hochpaßfilter und LPF= Tiefpaßfilter. Wenn Sie hier einen anderen Filtertyp wählen, wird der CutF-Wert automatisch auf "THRU" gestellt.

CutF (Grenzfrequenz des gew. Filters: THRU, 160Hz — 1.0kHz/1.0kHz — 1kHz, THRU)

Dies ist die Grenzfrequenz für den gewählten Filter (vgl. TYP). Haben Sie oben "HPF" gewählt, so beträgt der Einstellbereich 160Hz bis 1.0kHz. Für den LPF beträgt der Einstellbereich 1.0kHz 11kHz. In beiden Fällen schaltet man den Filter mit "THRU" aus.

MIX (Balance: 0 — 100%)

Hiermit stellen Sie die Balance zwischen dem trockenen und dem Hallsignal ein. Je größer der hier eingestellte Wert, desto lauter ist das Hallsignal im Verhältnis zum trockenen Signal.

LVL (Ausgangspegel: -∞, -30 — +6dB)

Der Ausgangspegel des RV1-Effektes.

● ER1 — Early Reflections 1

Dieser Effekt enthält eine Reihe von "Erstreflexionen", d.h. von Reflexionen, die unmittelbar nach dem direkten und kurz vor dem Hallsignal erklingen. In der Regel sind sie nicht so dicht gestaffelt wie das eigentliche Hallsignal.

TYP	RSZ	LIV
Eh1	3.4	4

DLY	HPF	LPP
30.0	THRU	THRU

MIX	LVL
60	0

TYP (Erstreflexionstyp: Eh1, Erd, Erv, Epl)

Mit "Eh1" wählen Sie die Erstreflexionen eines Saales. "Erd" (Zufallsreflexionen) hat eine Reihe von Erstreflexionen zur Folge, deren Kombination nicht natürlich ist. Mit "Erv" (Umkehrung der Erstreflexionen) wählen Sie Reflexionen, deren Pegel zu- statt abnimmt -das klingt ungefähr so, wie der Hall beim rückwärts Abspielen eines Bandes. "Epl" (Erstreflexionen einer Hallplatte) umfaßt die Erstreflexionen, die eine Hallplatte generieren würde.

RSZ (Raumgröße: 0.1 — 20)

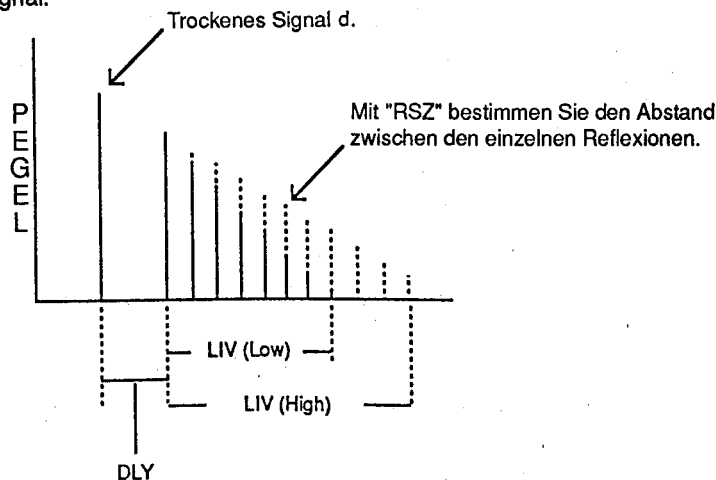
Der Abstand zwischen den Reflexionen. Im Bereich 0.1-10 erhöht man diesen Wert in 0.1-Schritten. Danach erfolgt die Werterhöhung in Einerschritten (1). Je größer dieser Wert, desto weiter liegen die Reflexionen auseinander, was einen größeren Raum simuliert.

LIV (Oberfläche: 0 — 10)

Hiermit programmieren Sie die Geschwindigkeit, mit der die Reflexionen abklingen. Je größer der Wert, desto langsamer klingen die Reflexionen ab, so daß der programmierte "Raum" lebendiger wirkt.

DLY (Verzögerung: 0.1 — 400.0ms)

Der Zeitraum zwischen dem trockenen und dem reflektierten Signal.



HPF (Grenzfrequenz des Hochpaßfilters: THRU, 160Hz — 1.0kHz)

Die Frequenz, unterhalb derer der Hochpaßfilter seine Arbeit beginnt. Mit "THRU" schalten Sie den Hochpaßfilter aus.

LPF (Grenzfrequenz des Tiefpaßfilters: 1.0kHz — 11kHz, THRU)

Die Frequenz, oberhalb derer der Tiefpaßfilter seine Arbeit beginnt. Mit "THRU" schalten Sie den Tiefpaßfilter aus.

MIX (Balance: 0 — 100%)

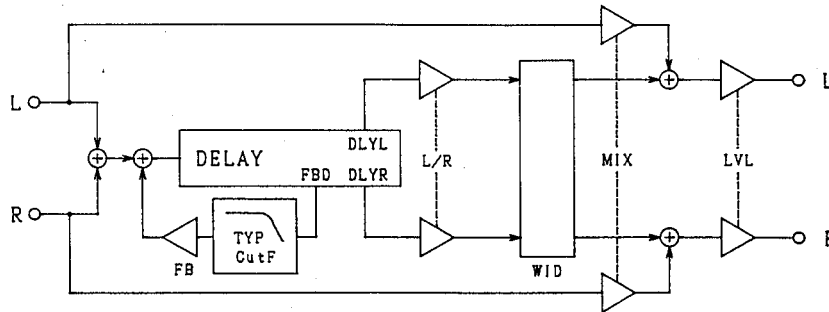
Die Balance zwischen dem trockenen und dem Effektsignal. Je größer dieser Wert, desto lauter sind die Erstreflexionen im Verhältnis zum trockenen Signal.

LVL (Ausgangspegel: -∞, -30 — +6dB)

Der Ausgangspegel des ER1-Effektes.

● DL1 — Mono Delay 1

Hiermit stellt man voneinander unabhängige Wiederholungen für den linken und rechten Kanal ein.



DLYL	DLYR
300.0	600.0

FBD	FB
150.0	+10

TYP	CutF	L/R
HPF	THRU	L=R

WID	MIX	LVL
4	60	0

CutF (Grenzfrequenz des gew. Filters: THRU, 160Hz — 1.0kHz/1.0kHz — 1kHz, THRU)

Dies ist die Grenzfrequenz für den gewählten Filter (vgl. TYP). Haben Sie oben "HPF" gewählt, so beträgt der Einstellbereich 160Hz bis 1.0kHz. Für den LPF beträgt der Einstellbereich 1.0kHz 11kHz. In beiden Fällen schaltet man den Filter mit "THRU" aus.

L/R (Balance links/rechts: L50 — L1, L=R, R1 — R50)

Hiermit programmiert man das Lautstärkeverhältnis zwischen den beiden Wiederholungen. Der Wert "L50" bedeutet beispielsweise, daß man nur das "L" (linke) und das ursprüngliche Signal hört. Mit "L=R" ist die Balance zwischen den beiden neuen Noten ausgewogen. Der Wert "R50" bedeutet, daß man nur das "R" (rechte) und das trockene Signal hört.

MIX (Balance: 0 — 100%)

Hiermit stellen Sie die Balance zwischen dem trockenen und dem Delay-Signal ein. Je größer der hier eingestellte Wert, desto lauter ist die Wiederholung im Verhältnis zum trockenen Signal.

LVL (Ausgangspegel: ∞, -30 — +6dB)

Der Ausgangspegel des DL1-Effektes.

DLYL (Verzögerung links: 0.1 — 740.0ms)

Die Verzögerungszeit für den linken Kanal.

DLYR (Verzögerung rechts: 0.1 — 740.0ms)

Die Verzögerungszeit für den rechten Kanal.

FBD (Verzögerung der Rückkopplung: 0.1 — 740.0ms)

Hiermit stellt man die Verzögerung ein, bevor die Wiederholungen beginnen. Das bedeutet, daß die Wiederholungen zuerst schleppend und erst danach mit der gewünschten Geschwindigkeit erklingen.

FB (Rückkopplung: -100 — +100%)

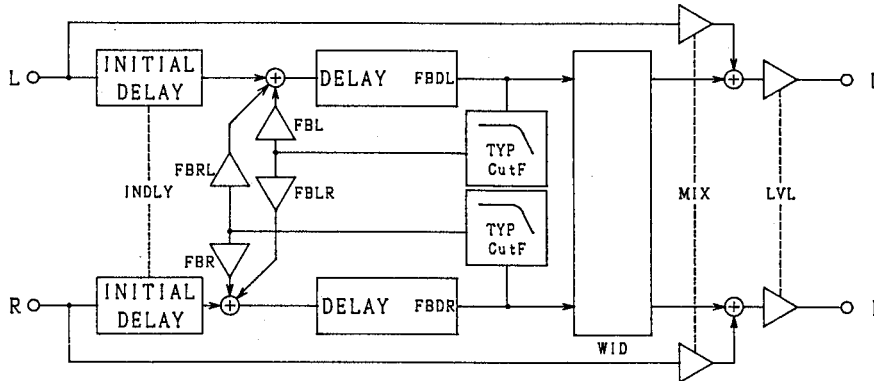
Der Anteil des Effektsignales, der noch einmal an diesen Effekt angelegt wird. Handelt es sich um einen negativen Wert, so wird die Phase der Wiederholungen umgekehrt. Mit positiven Werten erhöht man die Zahl der Wiederholungen.

TYP (FB-Filterwirkung: HPF, LPF)

Hiermit wählen Sie den Filtertyp für den DL1-Effekt. "HPF" bedeutet "Hochpaßfilter" und "LPF" bedeutet "Tiefpaßfilter". Ändern Sie diese Einstellung, so wird für "CutF" automatisch die "THRU"-Einstellung gewählt.

● EC1 — Echo (Stereo-Delay) 1

Dieser Effekt unterscheidet sich von DL1 nur darin, daß man die Rückkopplung für den linken und rechten Kanal separat einstellen kann.



FBDL	FBDR	TYP
180.0	90.0	LPF

CutF	FBL	FBR
THRU	+20	+20

FBLR	FBRL	INDLY
-30	+30	0.0

WID	MIX	LVL
10	60	0

FBDL (Verzögerung der Rückkopplung, links: 0.1 — 270.0ms)

FBDR (Verzögerung der Rückkopplung, rechts: 0.1 — 270.0ms)

Hiermit stellt man die Verzögerung ein, bevor die Wiederholungen des rechten bzw. linken Kanals beginnen.

TYP (FB-Filterwirkung: HPF, LPF)

Hiermit wählen Sie den Filtertyp für den EC1-Effekt. "HPF" bedeutet "Hochpaßfilter" und "LPF" steht für "Tiefpaßfilter". Ändern Sie diese Einstellung, so wird für "CutF" automatisch die "THRU"-Einstellung gewählt.

CutF (Grenzfrequenz des gew. Filters: THRU, 160Hz — 1.0kHz/1.0kHz — 1kHz, THRU)

Dies ist die Grenzfrequenz für den gewählten Filter (vgl. TYP). Haben Sie oben "HPF" gewählt, so beträgt der Einstellbereich 160Hz bis 1.0kHz. Für den LPF beträgt der Einstellbereich 1.0kHz bis 11kHz. In beiden Fällen schaltet man den Filter mit "THRU" aus.

FBL (Rückkopplung links: -100 — +100%)

FBR (Rückkopplung rechts: -100 — +100%)

Der Anteil des Effektsignales des linken oder rechten Kanals, der noch einmal an diesen Effekt angelegt wird. Handelt es sich um einen negativen Wert, so wird die Phase der Wiederholungen umgekehrt. Mit positiven Werten erhöht man die Zahl der Wiederholungen.

FBLR (L-R Rückkopplung: -100% — +100%)

FBRL (R-L Rückkopplung: -100 — +100%)

Mit dem FBLR-Wert bestimmt man, wieviel von dem linken Wiederholungssignal an den Prozessor des rechten Kanales angelegt werden soll. Mit dem FBRL-Wert bestimmt man, wieviel von dem rechten Signal an den Prozessor des linken Kanales angelegt werden soll.

INDLY (anfängliche Verzögerung: 0.0 — 100ms)

Die Zeitspanne vor dem Einsetzen der ersten Wiederholungen.

MIX (Balance: 0 — 100%)

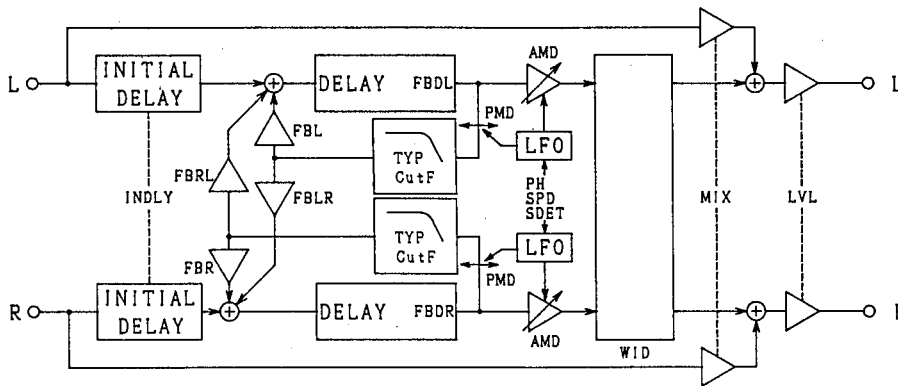
Hiermit stellen Sie die Balance zwischen dem trockenen und dem Delay-Signal ein. Je größer der hier eingestellte Wert, desto lauter ist die Wiederholung im Verhältnis zum trockenen Signal.

LVL (Ausgangspegel: -∞, -30 — +6dB)

Der Ausgangspegel des EC1-Effektes.

● MD1 — Modulation Delay 1

Dieser Effekt moduliert die Tonhöhe und Amplitude der generierten Wiederholungen.



FBDL	FBDR	TYP
180.0	90.0	LPF

CutF	FBL	FBR
THRU	+20	+20

FBLR	FBRL	INDLY
-30	+30	0.0

SPD	SDET
0.6	+6

PMD	AMD	PH
+90	+64	NOR

WID	MIX	LVL
8	60	0

FBDL (Verzögerung der Rückkopplung, links: 0.1 — 270.0ms)

FBDR (Verzögerung der Rückkopplung, rechts: 0.1 — 270.0ms)

Hiermit stellt man die Verzögerung ein, bevor die Wiederholungen des rechten bzw. linken Kanals beginnen.

TYP (FB-Filterwirkung: HPF, LPF)

Hiermit wählen Sie den Filtertyp für den MD1-Effekt. "HPF" bedeutet "Hochpaßfilter" und "LPF" bedeutet "Tiefpaßfilter". Ändern Sie diese Einstellung, so wird für "CutF" automatisch die "THRU"-Einstellung gewählt.

CutF (Grenzfrequenz des gew. Filters: THRU, 160Hz — 1.0kHz/1.0kHz — 1kHz, THRU)

Dies ist die Grenzfrequenz für den gewählten Filter (vgl. TYP). Haben Sie oben "HPF" gewählt, so beträgt der Einstellbereich 160Hz bis 1.0kHz. Für den LPF beträgt der Einstellbereich 1.0kHz 11kHz. In beiden Fällen schaltet man den Filter mit "THRU" aus.

FBL (Rückkopplung links: -100 — +100%)

FBR (Rückkopplung rechts: -100 — +100%)

Der Anteil des Effektsignales des linken oder rechten Kanals, der noch einmal an diesen Effekt angelegt wird. Handelt es sich um einen negativen Wert, so wird die Phase der Wiederholungen umgekehrt. Mit positiven Werten erhöht man die Zahl der Wiederholungen.

FBLR (L-R Rückkopplung: -100% — +100%)

FBRL (R-L Rückkopplung: -100 — +100%)

Mit dem FBLR-Wert bestimmt man, wieviel von dem linken Wiederholungssignal an den Prozessor des rechten Kanales angelegt werden soll. Mit dem FBRL-Wert bestimmt man, wieviel von dem rechten Signal an den Prozessor des linken Kanales angelegt werden soll.

INDLY (anfängliche Verzögerung: 0.0 — 100ms)

Die Zeitspanne vor dem Einsetzen der ersten Wiederholungen.

SPD (Modulationsgeschwindigkeit: 0.1 — 20Hz)

Hier programmiert man, wie oft (und wie schnell) die Wiederholungen moduliert werden.

SDET (Modulationstakt Links/Rechts: -20 — +20)

Mit diesem Parameter kann man die Modulationsgeschwindigkeit des linken oder rechten Signals im Verhältnis zum anderen Kanal (links oder rechts) ändern. Mit positiven Werten erhöht man die Modulationsgeschwindigkeit des linken Kanales im Verhältnis zum rechten und mit negativen Werten erzielt man den umgekehrten Effekt. Der Wert "0" bedeutet, daß beide Kanäle gleich schnell moduliert werden.

PMD (Tonhöhenmodulationstiefe: -100 — +100)

Die Tiefe der Tonhöhenmodulation (Vibrato).

AMD (Amplitudenmodulationstiefe: -100 — +100)

Die Tiefe der Amplitudenmodulation (Tremolo).

PH (Phase des linken/rechten Kanals: NOR, INV)

Hier können Sie entweder eine normale (NOR) oder umgekehrte (INV) Phase für einen der beiden Kanäle wählen. Wenn Sie "INV" wählen und einen großen AMD-Wert programmieren, erzielen Sie einen automatischen Panorama-Effekt.

WID (Breite: 0 — 100)

Hiermit bestimmen Sie, wie weit der linke und rechte Kanal auseinanderliegen sollen. Je größer dieser Wert, desto klarer ist der Stereo-Effekt.

MIX (Balance: 0 — 100%)

Hiermit stellen Sie die Balance zwischen dem trockenen und dem Delay-Signal ein. Je größer der hier eingestellte Wert, desto lauter ist der Effekt im Verhältnis zum trockenen Signal.

LVL (Ausgangspegel: $-\infty$, -30 — +6dB)

Der Ausgangspegel des MD1-Effektes.

● MT1 — Multi Tap Delay 1

Dies ist ein Multi-Delay, mit dem man den Zeit-, Panorama- und Pegelwert von bis zu 6 Wiederholungen getrennt programmieren kann.

1	DLY	PAN	LVL
	200.0	L50	+100

2	DLY	PAN	LVL
	400.0	R50	+100

3	DLY	PAN	LVL
	600.0	L50	+100

4	DLY	PAN	LVL
	800.0	R50	+100

5	DLY	PAN	LVL
	1000.0	L50	+100

6	DLY	PAN	LVL
	1200.0	L50	+100

	INDLY	HPF	LPF
	200.0	THRU	7.0k

	MIX	LVL
	100	0

DLY1 (1. Verzögerung: 0.1 — 13000.0mS)

Die Verzögerung der ersten Wiederholung.

PAN1 (Panorama der 1. Wiederh.: L50 — L1, L=R, R1 — R50)

Hiermit programmiert man die Stereoposition der ersten Wiederholung. Der Wert "L50" bedeutet beispielsweise, daß man die Wiederholung nur links hört. Wählt man "L=R", so befindet sich die erste Wiederholung in der Mitte. Der Wert "R50" bedeutet, daß man die 1. Wiederholung nur rechts hört.

LVL (Pegel der 1. Wiederholung: -100 — +100%)

Der Ausgangspegel der ersten Wiederholungen. Mit negativen Werten kehrt man ihre Phase um.

* Diese Parameter gibt es auch für die 2.-6. Wiederholung.

INDLY (anfängliche Verzögerung: 0.0 — 100mS)

Die Zeitspanne vor dem Einsetzen der ersten Wiederholungen (1-6).

HPF (Grenzfrequenz des Hochpaßfilters: THRU, 160Hz — 1.0kHz)

Die Frequenz, unterhalb derer der Hochpaßfilter aktiv ist. Mit "THRU" schalten Sie den Hochpaßfilter aus.

LPF (Grenzfrequenz des Tiefpaßfilters: 1.0kHz — 11kHz, THRU)

Die Frequenz, oberhalb derer der Tiefpaßfilter aktiv ist. Mit "THRU" schalten Sie den Tiefpaßfilter aus.

MIX (Balance: 0 — 100%)

Die Balance zwischen dem trockenen und dem Effektsignal. Je größer dieser Wert, desto lauter sind die Wiederholungen im Verhältnis zum trockenen Signal.

LVL (Ausgangspegel: -∞, -30 — +6dB)

Der Ausgangspegel des MT1-Effektes.

■ MOD (Modulation) Gruppe

● CHO — Chorus

Der Chorus-Effekt verzögert das trockene Signal und moduliert die Tonhöhe und/oder Amplitude des verzögerten Signales, um den ursprüngliche Klang breiter und wärmer zu machen.

SPD	PMD	AMD
0.6	50	40

MIX	LVL
50	0

SPD (Modulationsgeschwindigkeit: 0.1 — 20.0Hz)

Hier programmiert man, wie oft (und wie schnell) das Effektsignal moduliert wird.

PMD (Tonhöhenmodulationstiefe: -100 — +100)

Die Tiefe der Tonhöhenmodulation (Vibrato). Je größer dieser Wert, desto stärker wird die Tonhöhe des Effektsignales moduliert.

AMD (Amplitudenmodulationstiefe: -100 — +100)

Die Tiefe der Amplitudenmodulation (Tremolo). Je größer dieser Wert, desto stärker wird die Amplitude des Effektsignales moduliert.

MIX (Balance: 0 — 100%)

Hiermit stellen Sie die Balance zwischen dem trockenen und dem modulierten Signal ein. Je größer der hier eingestellte Wert, desto lauter ist der Effekt im Verhältnis zum trockenen Signal.

LVL (Ausgangspegel: -∞, -30 — +6dB)

Der Ausgangspegel des CHO-Effektes.

● FLG — Flanger

Die Wirkung eines Flangers beruht vornehmlich auf der Modulation der Verzögerungszeit. Mit Hilfe der verfügbaren Parameter dürften Sie in der Lage sein, die unterschiedlichsten Flanger-Effekte -vom leichtem Flimmern bis zu den ausgefallensten Düsenjägereffekten- zu programmieren.

SPD	DEP
4.0	60

DLY	FB
8.0	52

MIX	LVL
90	0

SPD (Modulationsgeschwindigkeit: 0.1 — 20.0Hz)

Hier programmiert man, wie oft (und wie schnell) das Effektsignal moduliert wird.

DEP (Modulationstiefe: 0 — 100%)

Hier programmiert, wie stark das Effektsignal moduliert wird.

DLY (Verzögerung: 0.2 — 15.0mS)

Hiermit stellt man die Verzögerungszeit ein. Werte unterhalb 1mS bedeuten, daß sich der Effekt vor allem in den Höhen bemerkbar macht. Mit Werten zwischen 1 und 3mS dehnt man die Wirkung auf die Mitten aus.

FB (Rückkopplung: 0 — 100%)

Der Anteil des Effektsignales, der noch einmal an diesen Effekt angelegt wird. Je größer der hier eingestellte Wert, desto markanter ist der Effekt.

MIX (Balance: 0 — 100%)

Hiermit stellen Sie die Balance zwischen dem trockenen und dem modulierten Signal ein. Je größer der hier eingestellte Wert, desto lauter ist der Effekt im Verhältnis zum trockenen Signal.

LVL (Ausgangspegel: -∞, -30 — +6dB)

Der Ausgangspegel des FLG-Effektes.

● SYM — Symphonic

"Symphonic" ist ein breiter Effekt, der einen orchesterhaften Klang der angelegten Signale zur Folge hat.

SPD DEP
0.9 90

MIX LVL
90 0

SPD (Modulationsgeschwindigkeit: 0.1 — 20Hz)

Hier programmiert man, wie oft (und wie schnell) das Effektsignal moduliert wird.

DEP (Tiefe: 0 — 100%)

Die Modulationstiefe. Je größer dieser Wert, desto stärker wird das Signal moduliert.

MIX (Balance: 0 — 100%)

Hiermit stellen Sie die Balance zwischen dem trockenen und dem modulierten Signal ein. Je größer der hier eingestellte Wert, desto lauter ist der Effekt im Verhältnis zum trockenen Signal.

LVL (Ausgangspegel: -∞, -30 — +6dB)

Der Ausgangspegel des SYM-Effektes.

● TRM — Tremolo

Der Tremolo-Effekt beruht auf einer regelmäßigen Modulation der Amplitude (d.h. der Lautstärke). Der Tremolo-Effekt des FX900 ist darüber hinaus mit einem Phasen-Parameter ausgestattet, mit dem man Panorama-Effekte (bei denen das Signal entweder von links nach rechts oder von rechts nach links wandert) programmieren kann.

SPD DEP PH
3.8 100 0

MIX LVL
90 0

SPD (Modulationsgeschwindigkeit: 0.1 — 20Hz)

Hier programmieren Sie, wie oft (und wie schnell) das Effektsignal moduliert wird.

DEP (Tiefe: 0 — 100%)

Die Modulationstiefe. Je größer dieser Wert, desto stärker wird das Signal moduliert.

PH (Phase: -8 — +8)

Hiermit programmiert man die Richtung der Panoramabewegung. Der Wert "0" bedeutet, daß das Effektsignal starr bleibt. Mit "+8" programmiert man eine Bewegung nach links und mit "-8" eine Bewegung nach rechts.

MIX (Balance: 0 — 100%)

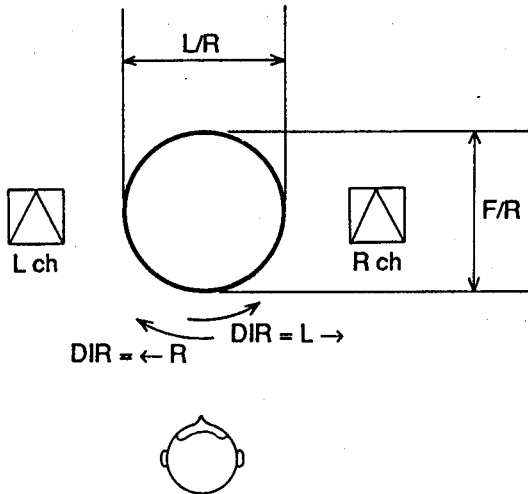
Hiermit stellen Sie die Balance zwischen dem trockenen und dem modulierten Signal ein. Je größer der hier eingestellte Wert, desto lauter ist der Effekt im Verhältnis zum trockenen Signal.

LVL (Ausgangspegel: -∞, -30 — +6dB)

Der Ausgangspegel des TRM-Effektes.

● PAN — Round Pan

Hierbei handelt es sich um einen besonders ausgeklügelten Panorama-Effekt, mit dem man nicht nur links-rechts-links Bewegungen, sondern auch einen "Kreiseffekt" erzielen kann.



SPD	L/R	F/R
0.9	100	90

DIR	MIX	LVL
L ₂	90	0

SPD (Panoramageschwindigkeit: 0.1 — 20Hz)

Hier programmiert man, wie schnell das Effektsignal vom einen Kanal zum anderen gleitet.

L/R (Links/Rechts-Tiefe: 0 — 100%)

Die "Tiefe" der Panoramabewegung von links nach rechts und von rechts nach links.

F/R (Vorne/Hinten-Tiefe: 0 — 100%)

Hiermit programmiert man die vermeintliche Tiefe der Bewegung von vorne nach hinten und umgekehrt.

DIR (Richtung: L → R, L ← R)

Die Richtung der Panoramabewegung.

MIX (Balance: 0 — 100%)

Hiermit stellen Sie die Balance zwischen dem trockenen und dem modulierten Signal ein. Je größer der hier eingestellte Wert, desto lauter ist der Effekt im Verhältnis zum trockenen Signal.

LVL (Ausgangspegel: -∞, -30 — +6dB)

Der Ausgangspegel des PAN-Effektes.

■ REV2 (Reverb 2) Gruppe

● RV2 — Reverb 2

Derselbe Effekt und dieselben Parameter wie für RV1. Siehe S. 135.

● ER2 - Early Reflections 2

Derselbe Effekt und dieselben Parameter wie für ER1. Siehe S. 136.

● DL2 - Mono Delay 2

Derselbe Effekt und dieselben Parameter wie für DL1.
Einzige Ausnahme: der Einstellbereich für DLYL und DLYR beträgt 0.1 — 740.0mS. Siehe S. 137.

● EC2 - Echo (Stereo-Delay) 2

Derselbe Effekt und dieselben Parameter wie für EC1.
Einzige Ausnahme: der Einstellbereich für FBDL und FBDR beträgt 0.1 — 270.0mS. Siehe S. 138.

● MT2 - Multi Tap Delay 2

Derselbe Effekt und dieselben Parameter wie für MT1.
Einzige Ausnahme: der Einstellbereich für DLY beträgt 0.1 — 640.0mS. Siehe S. 141.

● R+D - Reverb + Delay

Dieser Effekt stellt eine Kombination eines Halleffektes und eines Delays dar, die parallel zueinander funktionieren.

DLYL	DLYR
100.0	200.0

FBD	FB	L/R
150.0	+10	R10

RVT	HF
2.4	6

R/D	MIX	LVL
L8	60	0

DLYL (Verzögerung links: 0.1 — 380.0mS)

Die Verzögerungszeit für den linken Kanal.

DLYR (Verzögerung rechts: 0.1 — 380.0mS)

Die Verzögerungszeit für den rechten Kanal.

FBD (Verzögerung der Rückkopplung: 0.1 — 740.0 ms)

Hiermit stellt man die Verzögerung ein, bevor die Wiederholungen beginnen. Das bedeutet, daß die Wiederholungen zuerst schleppend und erst danach mit der gewünschten Geschwindigkeit einsetzen.

FB (Rückkopplung: 0 — 100%)

Der Anteil des Effektsignales, der noch einmal an diesen Effekt angelegt wird. Je größer der hier eingestellte Wert, desto markanter ist der Effekt.

L/R (Balance links/rechts: L50 — L1, L=R, R1 — R50)

Hiermit programmiert man das Lautstärkeverhältnis zwischen den beiden Wiederholungen. Der Wert "L50" bedeutet beispielsweise, daß man nur das "L" (linke) Signal hört. Mit "L=R" ist die Balance zwischen den beiden neuen Noten ausgewogen. Der Wert "R50" bedeutet, daß man nur das "R" (rechte) Signal hört.

RVT (Halldauer: 0.3 — 40s)

Die Zeit, die verstreicht, bis das Hallsignal um 60dB abgeklungen ist.

HF (Halldauer der Höhen: 1 — 10)

Die Halldauer der Höhen ist separat einstellbar. Meistens klingen die Höhen nämlich schneller ab als die übrigen Frequenzen. Je größer dieser Wert, desto langsamer klingen die Höhen ab.

R/D (Balance zwischen Hall und Delay: L8 — L1, L=R, R1 — R8)

Die Balance zwischen dem Hall und dem Delay.

MIX (Balance: 0 — 100%)

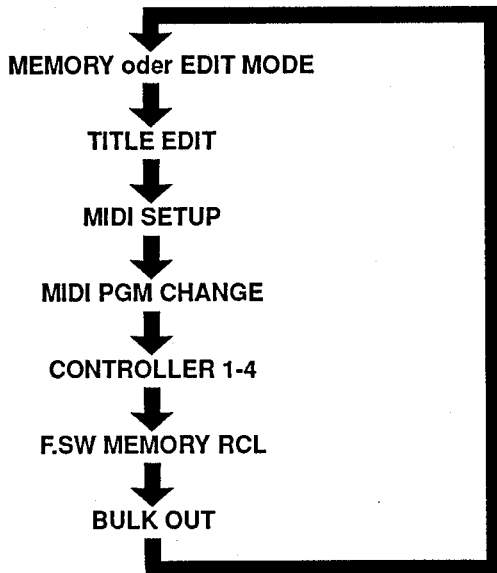
Hiermit stellen Sie die Balance zwischen dem trockenen und dem Effektsignal ein. Je größer der hier eingestellte Wert, desto lauter ist die Wiederholung im Verhältnis zum trockenen Signal.

LVL (Ausgangspegel: -∞, -30 — +6dB)

Der Ausgangspegel des RV1-Effektes.

8. Der Utility Mode

Im UTILITY Mode hat man Zugriff auf eine Reihe nützliche Funktionen, darunter die Benennung der neuen Programme. Außerdem teilt man hier den Programmnummern eine MIDI-Programmwechselnummer und programmiert die Funktion der externen Spielhilfen. Schließlich stellt man den Programmbereich ein, innerhalb dessen man die Speicher mit Hilfe eines Fußtasters aufrufen kann. Den UTILITY Mode erreichen Sie, indem Sie die Taste [UTILITY] drücken. Die dort verfügbaren Parameter wählt man ebenfalls mit dieser Taste an:



Wenn Sie nach Auswahl der letzten Funktion noch einmal die [UTILITY]-Taste drücken, kehren Sie wieder in den Mode zurück, den Sie aufgerufen haben, bevor Sie in den UTILITY Mode gewechselt sind. Man kann den UTILITY Mode auch verlassen, indem man die Taste [UTILITY] so lange gedrückt hält, bis die dazugehörige Diode erlischt (das dauert ungefähr eine Sekunde).

■ TITLE EDIT

Mit Title Edit geben Sie Ihren eigenen Programmen einen Namen. Bei Auswahl dieser Funktion sieht das Display ungefähr so aus wie in der Abbildung weiter unten – der alte Name befindet sich in der oberen Zeile. Mit den Kursortasten [◀] und [▶] führt man den Cursor zu einer Position, für die man ein neues Zeichen programmieren möchte. Mit dem [DATA ENTRY] Regler oder den Tasten [▲] und [▼] wählt man ein anderes Zeichen an. Mit der [STORE]-Taste programmiert man Leerstellen.

Fullrange Dist.
TITLE EDIT

Mit dem [DATA ENTRY] Regler oder mit den Tasten [▲] und [▼] wählt man der Reihe nach folgende Zeichen an:

Leerstelle, die man mit STORE programmiert

	[]	<	>	:	.	*	+	-	=	&	/	.	,	'	%	!	?	→	←	
#	0	1	2	3	4	5	6	7	8	9	A	B	C	D	E	F	G	H	I	
I	J	K	L	M	N	O	P	Q	R	S	T	U	V	W	X	Y	Z		ä	
b	c	d	e	f	g	h	i	j	k	l	m	n	o	ö	p	q	r	s	t	u
ü	v	w	x	y	z		ア	イ	ウ	エ	オ	カ	キ	ク	ケ					
コ	サ	シ	ス	セ	ソ	タ	チ	ツ	テ	ト	ナ	ニ	ネ	ノ	ハ	ヒ	フ	ヘ		
ホ	マ	ミ	ム	メ	モ	ヤ	ユ	ヨ	ラ	リ	ル	レ	ロ	ワ	ヲ	ン	ン	ン	ン	ン
リ	*	*	*	*	*	*	*	*	*	*	*	*	*	*	*	*	*	*	*	*

Der neue Programmname wird automatisch mit dem dazugehörigen Programm gespeichert, sobald Sie den Title Edit-Betrieb wieder verlassen.

ACHTUNG: Die TITLE EDIT Funktion kann nur für einen der USER-Speicher (0-99) angewählt werden. Rufen Sie diese Funktion trotzdem für einen PRESET-Speicher (0-99) auf, erscheint folgende Meldung im Display:

USER MEMORY ONLY
TITLE EDIT

■ MIDI-Programmanwahl: MIDI SETUP und MIDI PGM CHANGE

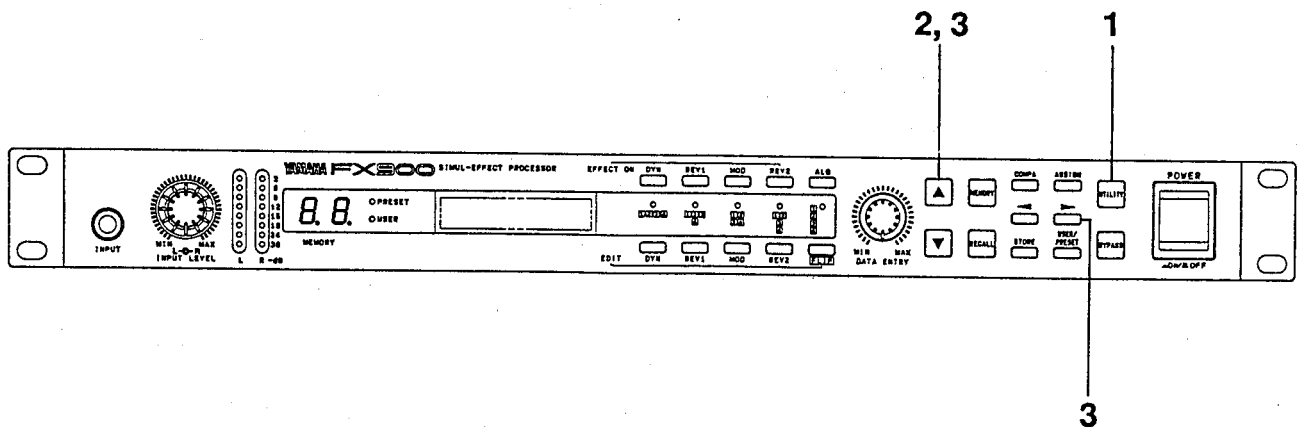
Der FX900 ermöglicht die Programmanwahl mit Hilfe eines externen MIDI- Steuerelementes. Sie könnten Sie es z.B. dahingehend programmieren, daß beim Aufrufen eines Synthesizer-Klanges immer der passende Effekt angewählt wird. Das ist deshalb möglich, weil der Synthesizer bei der Klanganwahl jeweils einen PROGRAMMWECHSELBEFEHL sendet, den der FX900 empfängt und danach das diesem Befehl zugeordnete Programm aufruft. Für Gitarristen empfiehlt sich der Einsatz eines MIDI Foot Controllers MFC05 von Yamaha, mit dem man ebenfalls MIDI Programmwechselbefehle senden kann. Der FX900 bietet vier "Bänke" für die Zuordnung von Programmwechsel- und Speichernummern: A, B, C und D. Jeder Bank kann ein separater MIDI-Empfangskanal zugeordnet werden.

ACHTUNG: Die gewählte Programmwechselbank (und die ihr zugeordneten Effekte) gilt auch für den optionalen Foot Controller FC900.

Anmerkung: Beim Empfang von MIDI-Daten im MEMORY Mode erscheint rechts auf der unteren Display-Zeile ein kleines "M".

● MIDI SETUP

Mit dieser Funktion kann man eine der vier PROGRAMMWECHSEL-BÄNKE aufrufen und ihr einen MIDI-Kanal zuordnen.



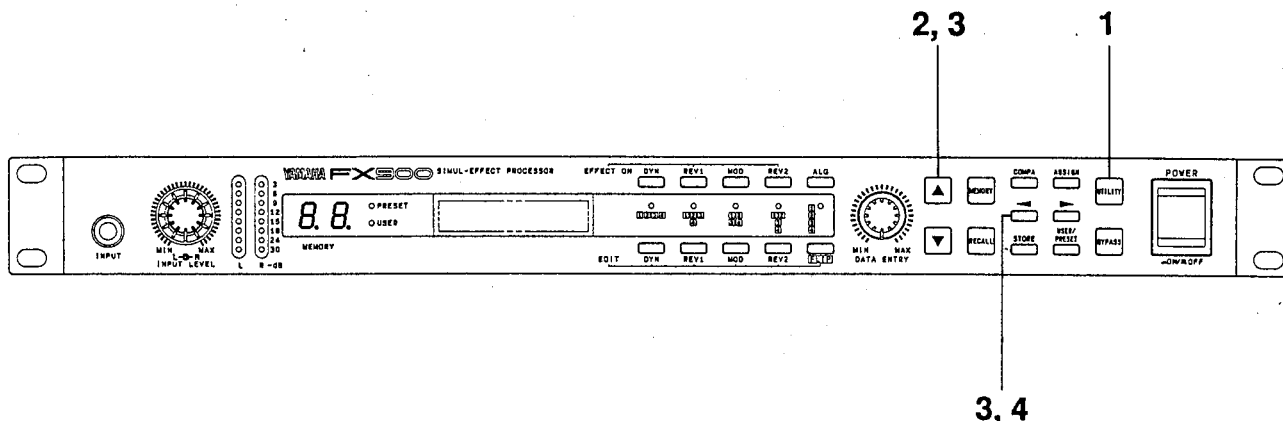
1. Drücken Sie auf UTILITY, um die MIDI SETUP Funktion aufzurufen.

```
MIDI SET UP
BANK: A ch=OMNI
```

2. Der Cursor muß sich unter der Meldung BANK befinden. Mit dem [DATA ENTRY] Regler oder mit [▲] und [▼] wählen Sie die Bank an (A, B, C oder D), die Sie programmieren möchten.
3. Führen Sie den Cursor zu "Ch=", indem Sie die [◀] Taste drücken. Mit dem [DATA ENTRY] Regler oder mit [▲] und [▼] stellen Sie eine Kanalnummer ein (1 — 16), aber Sie können den Empfang auch ausschalten (OFF) oder über alle Kanäle laufen lassen (OMNI). Falls erforderlich, drücken, Sie auf [▶], um den Cursor wieder zu BANK zurückzuführen.

● MIDI PGM CHANGE

Wenn Sie diese Funktion aufrufen, sieht das Display aus wie unten gezeigt. Danach können Sie den Programmwechselfeldern des externen MIDI-Gerätes oder des FC900 (PGM) eine Speichernummer (MEM) des FX900 zuordnen.



1. Drücken Sie die [UTILITY]-Taste wiederholt, um die MIDI PGM CHANGE Funktion aufzurufen. Der Cursor müßte sich nun unter dem PGM Parameter befinden.

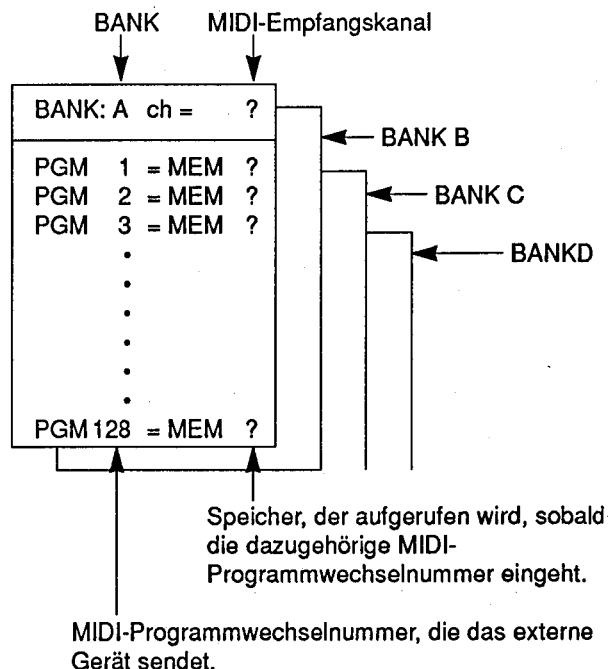
MIDI PGM CHANGE
PGM 1 = MEM U01

ACHTUNG: Diese Einstellungen gelten nur für die mit MIDI SETUP gewählte Bank. Wenn Sie sie für eine andere Bank programmieren möchten, müssen Sie zuerst in den MIDI SETUP Betrieb wechseln, eine andere Bank auswählen und danach die Zuordnungen vornehmen.

2. Mit dem [DATA ENTRY] Regler oder mit [▲] und [▼] stellen Sie die Programmwechselnummer ein, der Sie eine Speichernummer des FX900 zuordnen möchten. Der Einstellbereich beträgt 1-128.
3. Führen Sie den Cursor mit dem [DATA ENTRY] Regler oder mit der Taste [◀] zu MEM und rufen Sie die Speichernummer des FX900 mit [▲] und [▼] auf. Dies ist das Programm, das eingestellt wird, sobald der zuvor eingegebene Programmwechselfeldern empfangen wird. Die Nummern U00 bis U99 beziehen sich auf den USER-Speicher. Die Nummern P00 bis P99 beziehen sich auf die PRESET-Speicher.

HINWEIS: Solange dieser Parameter auf "MEM ---" steht, findet kein programmwechsel statt, wenn eine entsprechende Programmwechselnummer empfangen wird. Wenn dieser Parameter durch Drücken der [STORE] Taste auf "MEM ---" eingestellt wird, und der Cursor sich dabei unter MEM befindet, findet kein Programmwechsel statt, wenn eine entsprechende Programmwechselnummer empfangen wird.

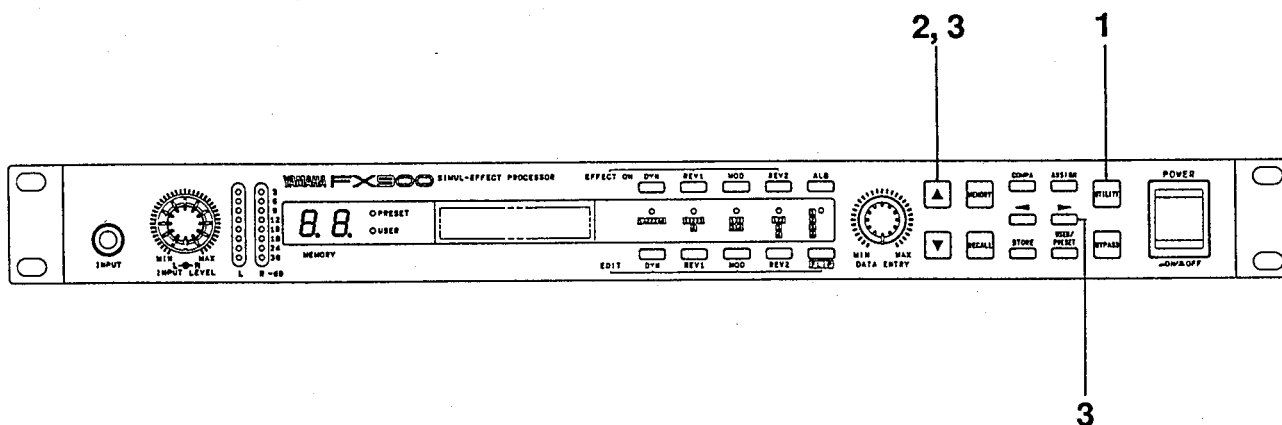
4. Drücken Sie auf [◀], um den Cursor wieder zu PGM zu führen und stellen Sie eine andere Programmwechselnummer ein, der Sie dann auch wieder eine andere (oder dieselbe) Speichernummer des FX900 zuordnen.



■ Externe Parameter-Steuerung: CONTROLLER 1 bis CONTROLLER 4

Man kann bis zu vier Effektparametern des FX900 eine MIDI-Spielhilfe zuordnen, mit denen man sie in "Echtzeit" steuert. Man kann folgende Spielhilfen verwenden: FC7 Schweller, die man an die Buchse FOOT VOL 1 oder 2 bzw. FOOT CONTROL 1 oder 2 des optionalen FC900 Foot Controllers (siehe dessen Bedienungsanleitung für nähere Einzelheiten). Außerdem kann man MIDI-Spielhilfen der Nummern 0 bis 95 verwenden, von denen einige bereits bestimmten Spielhilfen zugeordnet sind -z.B. dem Modulationsrad, dem Pitch-Rad, Data Entry usw. Ein MIDIfähiges Gerät, das mit einer solchen Spielhilfe ausgestattet ist, sendet jeweils die entsprechende Nummer und einen Wert. So könnten Sie Halldauer (RVT) mit Hilfe des Modulationsrades steuern: Wenn Sie diese Funktionen nutzen möchten, müssen Sie den CONTROLLER Funktionen (1, 2, 3 und 4) die gewünschte Spielhilfe oder eine Steuerelementnummer zuordnen (siehe weiter unten).

● Die wichtigsten Spielhilfe-Zuordnungen



1. Mit der [UTILITY]-Taste wählen Sie die CONTROLLER Anzeige. Das Display sollte nun folgendermaßen aussehen, und der Cursor befindet sich aller Wahrscheinlichkeit nach unter der Nummer.

CONTROLLER 1
 OFF

2. Mit dem [DATA ENTRY] Regler oder mit [▲] und [▼] wählen Sie die gewünschte Nummer (Controller 1, 2, 3 oder 4).
3. Führen Sie den Cursor in die untere Display-Zeile, indem Sie die Taste [▶] drücken und wählen Sie für diesen Controller (1 — 4) die Spielhilfe oder MIDI-Steuerelementnummer mit Hilfe des [DATA ENTRY] Regler oder der Tasten [▲] und [▼]. Wenn der Cursor sich in der unteren Display-Zeile befindet, kann die gewählte Spielhilfe durch Drücken der [STORE] Taste ausgeschaltet werden (OFF).

Es stehen folgende Nummern zur Auswahl (manchen ist keine Spielhilfe zugeteilt):

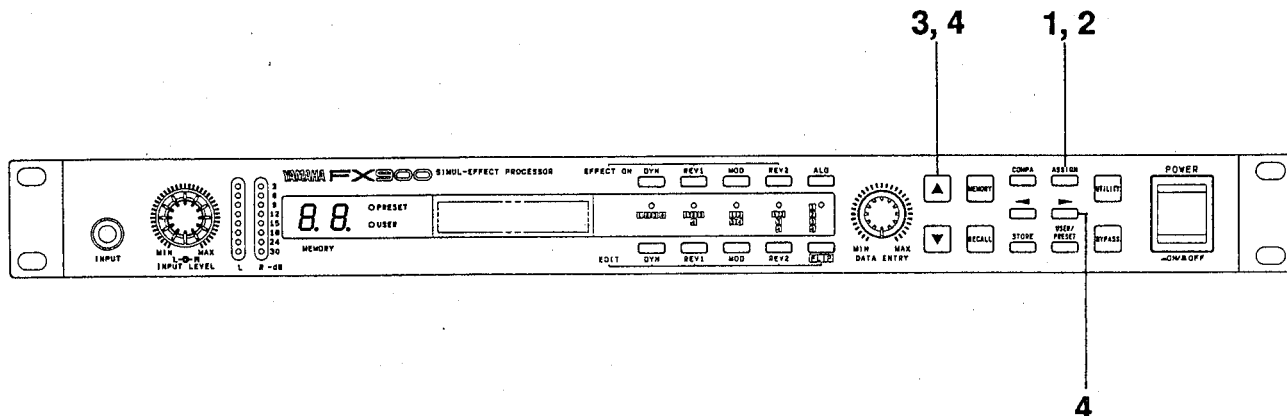
Steuerelementnummer	Funktion des Steuerelementes
OFF	Controller-Funktion ist ausgeschaltet.
FOOT VOL 1	FC7, der an FOOT VOL1 angeschlossen ist
FOOT VOL 2	FC7, der an FOOT VOL2 angeschlossen ist
FC900 VOL 1	FC7, der an FOOT VOL1 des FC900 angeschlossen ist
FC900 VOL 2	FC7, der an FOOT VOL2 des FC900 angeschlossen ist
1	MOD.WHEEL (Modulationsrad)
2	BREATH CTRL (Blaswandler)
3	Nicht belegt
4	FOOT CTRL (Fußschweller)
5	PORT TIME (Portamentozzeit)
6	DATA ENTRY (Data Entry-Regler)
7	MAIN VOLUME (Lautstärkeregl.)
8	BAL CTRL (Balance-Regler)
9	Nicht belegt
10	PAN CTRL (Panorama-Regler)
11	EXP.CTRL (Expression Pedal)
12 — 31	Nicht belegt
64	SUST PEDAL (Sustain-Pedal)
65	PORT SWITCH (Portamento-Schalter)
66	SOSTENUTO (Pedal)
67	SOFT PEDAL (Soft-Pedal)
68	Nicht belegt
69	HOLD 2
70 — 95	Nicht belegt

Es gibt noch drei weitere Steuerungsmöglichkeiten, die keiner bestimmten Steuerelementnummer zugeordnet und daher direkt verfügbar sind: KEY NOTE (Notennummer der gedrückten Tasten), KEY VEL (Anschlagdynamik, ein Teil der NOTE-An-Daten) und CH PRES (Kanal-Aftertouch).

ACHTUNG: Man kann eine Spielhilfe mehreren Controller-Funktionen zuordnen. So ließe sich FOOT VOL1 beispielsweise den Funktionen Controller 1, 2 und 3 zuordnen. Die Controller-Funktionen könnte man dann zum Steuern der Lautstärke (LVL) der DYN, REV1 und MOD1 Gruppe verwenden (siehe weiter oben). In dieser Konfiguration können Sie dann die Lautstärke des gesamten Effektprogrammes regeln, ohne das Hallsignal zu verändern.

● CONTROLLER 1 bis CONTROLLER 4: Wie teilt man sie den Effekten zu?

Sobald Sie für jede (oder die benötigte) Controller-Funktion eine Spielhilfe gewählt haben, können Sie ihnen einen Parameter des FX900 zuordnen. Dies tut man im MEMORY oder EDIT Mode.



1. Verlassen Sie zuerst den UTILITY Mode, indem Sie die [UTILITY] wiederholt betätigen oder so lange gedrückt halten, bis ihre Diode erlischt. Drücken Sie anschließend die [ASSIGN]-Taste.

CTRL1 MIN-MAX
Mbd:LVL 1 100

2. Wählen Sie CTRL (Controller) 1, 2, 3 oder 4, indem Sie die Taste [ASSIGN] so oft drücken, bis die gewünschte Nummer angezeigt wird.
3. Der Cursor befindet sich nun unter dem Parameter-Namen. Mit dem [DATA ENTRY] Regler oder mit [▲] und [▼] rufen Sie einen anderen Parameter auf. Sie können übrigens nur Parameter aufrufen, die in dem gewählten Effektprogramm vorkommen. Aber auch hier bestätigt die Ausnahme die Regel, da nicht alle Parameter angewählt werden können. "Cde:THR" bezieht sich auf den Grenzwert des Kompressors. "Cde:LPF" vertritt die Tiefpaßgrenzfrequenz des Verzerrers, usw. Eine eingehende Beschreibung der Parameter finden Sie im Kapitel "7. Die Effekte und Parameter" auf S. 123. Der PARAM Modus: Editieren der Effektprogramme" auf S. **. Zusätzlich zu den verfügbaren Effektparametern sind noch folgende Parameter anwählbar:

* Nicht steuerbare Parameter:

WAH: FRQ PCS: PCL
 WAH: CTR PCS: PCR
 CDW: FRQ PCM: KEY
 CDW: CTR PCM: PCA
 PCS: KEY PCM: PCB

- DYN:VOL, MOD:VOL, RV1:VOL und RV2:VOL- bedeuten, daß man mit der gewählten Spielhilfe die Lautstärke der entsprechenden Effektgruppe steuern kann.

4. Drücken Sie auf [◀] oder [▶], um den Cursor zu MIN und danach zu MAX zu führen und stellen Sie den Mindest- bzw. Höchstwert des Steuerelementes mit dem [DATA ENTRY] Regler oder mit [▲] und [▼] ein. Sowohl MIN als auch MAX haben einen Einstellbereich von 0 — 100%. Da der Bereich für Cde:LVL z.B. -42 bis 6 (dB) beträgt, liegt der Regelbereich bei einer Einstellung von 10 (MIN) und 90 (MAX) zwischen -38dB und -5dB.
5. Wiederholen Sie die Schritte 2 bis 4, um auch den übrigen Controller-Funktionen einen Parameter zuzuordnen.
6. Sobald Sie fertig sind, drücken Sie die [MEMORY]- oder [EDIT]-Taste, um in den entsprechenden Mode zu wechseln.

ACHTUNG: Man kann einen Parameter nur jeweils einer Controller-Funktion zuordnen.

■ F.SW MEMORY RCL

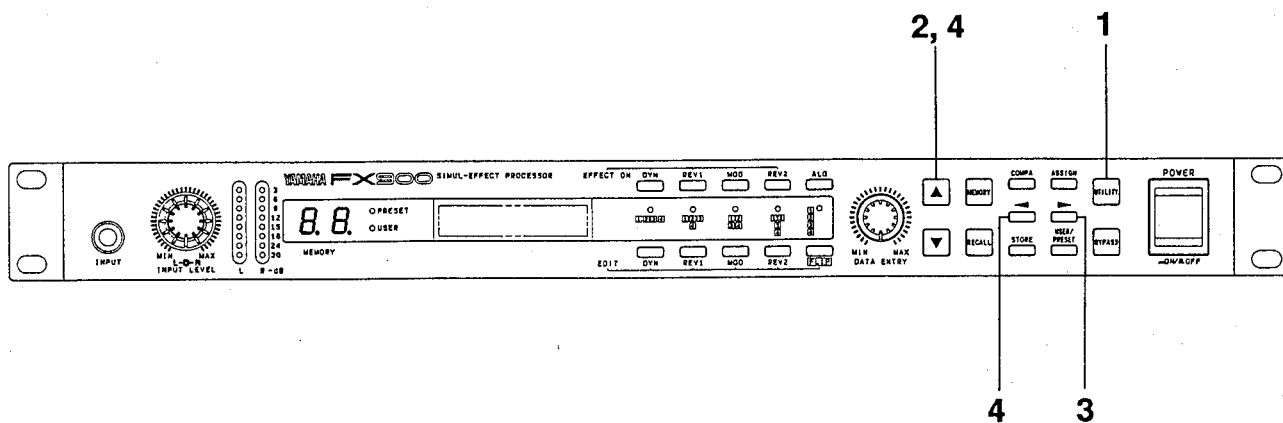
Man kann die Speicher des FX900 auch mit einem optionellen FC4 oder FC5 Fußtaster von Yamaha aufrufen, den man zu diesem Zweck an die MEMORY IN/DEC Buchse anschließt. Ordnen Sie dem Fußtaster die Funktion MEMORY IN/DEC zu. Mit der RANGE Funktion bestimmen Sie, welche Speicher angewählt werden können.

F.SW MEMORY RCL
RANGE U31 TO U34

Wenn Sie z.B. "U31 TO U34" einstellen, lassen sich nur die USER-Speicher zwischen 31 und 34 aufrufen. Bei jedem Druck auf den Fußtaster wählen Sie den nächsthöheren Speicher an, bis Sie wieder Nummer 34 aufrufen. Wenn Sie zuerst eine größere und danach eine kleinere Nummer eingeben, geschieht die Anwahl rückwärts.

F.SW MEMORY RCL
RANGE U34 TO U31

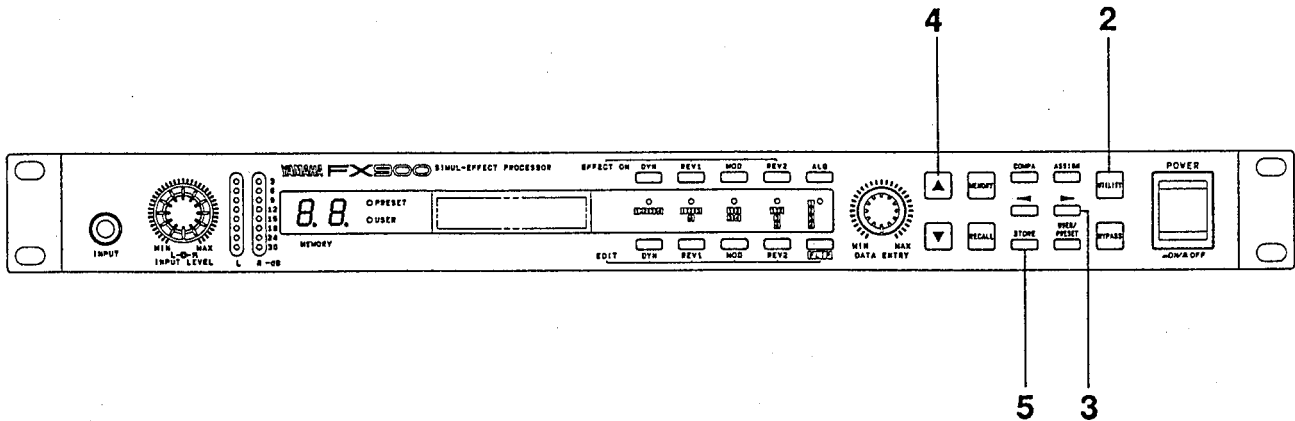
Hier werden nacheinander folgende Speicher aufgerufen:
U34 → U33 → U32 → U31 → U34 usw.



1. Drücken Sie die UTILITY Taste und rufen Sie F.SW MEMORY RCL auf. Der Cursor sollte sich unter der ersten Zahl befinden.
2. Mit dem [DATA ENTRY] Regler oder mit [▲] und [▼] können Sie nun die erste Speichernummer einstellen.
3. Drücken Sie auf [▶], um den Cursor zur zweiten Nummer zu führen.
4. Stellen Sie die zweite Speichernummer mit dem [DATA ENTRY] Regler oder mit [▲] und [▼] ein. Falls erforderlich, drücken Sie die Taste [◀], um zur ersten Nummer zurückzugehen.

■ BULK OUT

Sobald Sie diese Funktion aufrufen, sieht das Display wie in der weiter unten aufgeführten Abbildung aus. Diese Anzeige bedeutet, daß man die Daten eines Speichers (MEM), der Systemdaten (SYS), die Programmwechselliste einer Bank (BNK) oder alle Daten (ALL) via MIDI ablegen kann- vorausgesetzt, man verbindet die MIDI THRU/OUT Buchse des FX900 mit der MIDI IN Buchse eines Gerätes, das mit diesen Daten etwas anfangen kann.



1. Schauen Sie nach, ob sich der MIDI THRU-OUT Schalter in der OUT-Stellung befindet.
2. Mit der Taste [UTILITY] wählen Sie die BULK OUT-Anzeige an. Der Cursor dürfte sich nun unter "ALL" befinden.

ACHTUNG: Siehe das Kapitel "MIDI-Datenformat" auf S. 160 für nähere Einzelheiten zur Übertragung der Blockdaten (Bulks).

Anmerkung: Beim Empfang von Bulk-Daten erscheint "MIDI RECEIVE" auf der oberen Display-Zeile.

```
BULK OUT ALL SYS
MEM: * BNK:*
```

3. Mit den Kursortasten [◀] und [▶] wählen Sie danach den abzulegenden Datentyp:
ALL = Alle Programme, Systemdaten, Programmwechsellisten.
SYS = Systemdaten (die eingestellten Utility-Werte usw.).
MEM = Die Daten des gewählten Speichers.
BNK = Die Programmwechselliste der gewählten Bank.
4. Wenn Sie MEM oder BNK gewählt haben, können Sie danach mit dem [DATA ENTRY] Regler oder mit [▲] und [▼] eine Speichernummer (PRESET P00 — P99, USER U00 — U99) oder Bank (A, B, C, D) aufrufen, die die zu übertragenden Daten enthält.
5. Drücken Sie auf [STORE], um die Daten zu übertragen. Hierauf wird folgende Meldung angezeigt (statt "BANK" kann dort auch ein anderes Wort stehen):

```
BULK OUT
** BULK OUT BANK
```

Sobald die Übertragung beendet ist, wird wieder die ursprüngliche BULK OUT-Seite angezeigt.

9. Spezifikationen

• ANALOGE SCHALTKREISE

Frequenzgang

20Hz — 20kHz

Dynamikbereich

Besser als 90dB, wenn Effekt ausgeschaltet

Klirrfaktor

Weniger als 0,03% bei 1kHz, wenn Effekt ausgeschaltet

• EINGÄNGE

Kanäle

Stereo (2), Mono (1)

Typ

Unsymmetrisch

Nennpegel

+4/-20dB, umschaltbar

Impedanz

10k/1MΩ, umschaltbar

Anschlüsse

Kopfhörer, vorn und hinten

• AUSGÄNGE

Kanäle

Stereo (2)

Typ

Unsymmetrisch

Nennpegel

+4/-20 dB, umschaltbar

Impedanz

220ΩEingangsimpedanz/Nennpegel

Kopfhörerimpedanz/Nennpegel

150Ω/-22dB (unsymmetrische Stereo-Klinke)

• DIGITAL-SCHALTKREISE

A/D Wandler

16 Bit-Auflösung pro Kanal (64faches Oversampling mit Delta/Sigma-Wandlung)

D/A Wandler

18 Bit-Auflösung pro Kanal (8faches Oversampling)

Abtastrate

44.1kHz

• EFFEKTE UND SPEICHER

Speicher:

ROM (PRESET) 0 — 99

RAM (USER) 0 — 99

Effekte

DYN (Dynamikgruppe)

CDE	Compressor/Distortion/Equalizer
CMP	Dual Compressor
ENH	Dual Enhancer
WAH	Stereo Wah
PEQ	Dual Parametric Equalizer
MBD	Multi-band Distortion
CDW	Compressor/Distortion/Equalizer/Wah
DST	Stereo Distortion/Equalizer

REV1 (Hallgruppe 1)

PCM	Mono Pitch Change
PCS	Stereo Pitch Change
RV1	Reverb 1
ER1	Early Reflections 1
DL1	Mono Delay 1
EC1	Echo (Stereo Delay) 1
MD1	Modulation Delay 1
MT1	Multi Tap Delay 1

MOD (Modulationsgruppe)

CHO	Chorus
FLG	Flanger
SYM	Symphonic
TRM	Tremolo
PAN	Round Pan

REV2 (Hallgruppe 2)

RV2	Reverb 2
ER2	Early Reflections 2
DL2	Mono Delay 2
EC2	Echo (Stereo Delay) 2
MT2	Multi Tap Delay 2
R+D	Reverb + Delay

• ANZEIGEN UND ANSCHLÜSSE

Anzeigen

8gliedrige Eingangspegel-LED-Kette, links & rechts
7segmentige Speichernummeranzeige für 2 Ziffern
Flüssigkristallanzeige mit 16 Zeichen x 2 Zeilen, beleuchtet
Speichertypanzeigen: PRESET und USER.
Dioden für die fünf verfügbaren Algorithmen

Anschlüsse

INPUT (Vorderseite)

INPUT R und L/MONO mit Impedanz 10k/1MΩ und +4/-20 dB Empfindlichkeitswahlschalter.

OUTPUT R und L mit +4/-20 dB

Empfindlichkeitswahlschalter.

FOOT VOL 1 und 2.

MEMORY INC/DEC FOOT SW.

BYPASS FOOT SW.

MIDI und MIDI THRU/OUT mit THRU/OUT Schalter.

• ALLGEMEINE WERTE

Stromversorgung:

Modelle für die USA und Kanada: 120 V AC, 60Hz, 35 W

Allgemeines Modell: 220/240 V AC, 50/60 Hz, 35 W

Abmessungen (B x H x T)

480 x 44 x 314.8 mm (18-7/8" x 1-3/4" x 12-3/8")

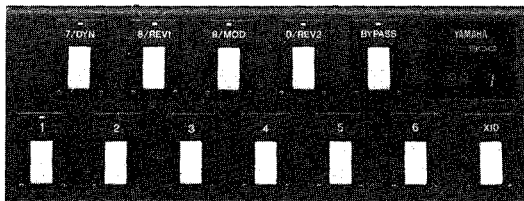
Gewicht

4.8 kg (ungefähr 10.6 lbs)

Zubehör

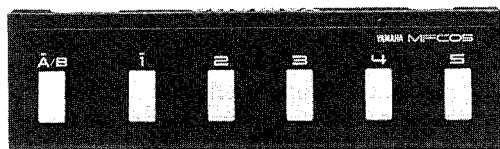
FC900 Fußschweller

Als Ergänzung zum FX900 erlaubt der FC900 Fußschweller die Ein- und Ausschaltung der Effektgruppen, die Programmwahl, die Bypass-Schaltung und vieles mehr.



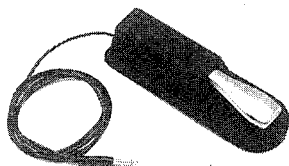
MFC05 MIDI-Fußschweller

Die einfache und bequeme Art MIDI-Programmwechselnummern von 1 bis 10 einzugeben.



FC4 und FC5 Fußtaster

Diese robusten Pedale eignen sich hervorragend als Bypass-Schalter oder Speicherabruf-Fußschalter.



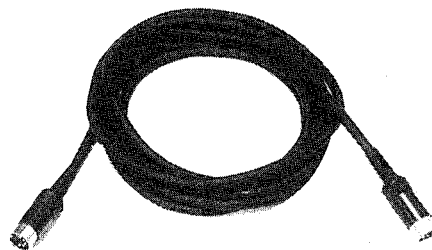
FC7 Fußschweller

Mit einem oder zwei dieser Spielhilfen lassen sich Lautstärke und die meisten Effektparameter in Echtzeit steuern.



MIDI03 und MIDI15 MIDI-Kabel

Das MIDI03 ist ein 3-Meter Standardkabel, das MIDI15 ein 15-Meter Spezialkabel für große Abstände.



10. Algorithm & Effect Assignments for the Preset Programs

10. Assignations Algorithmes & Effect pour les programmes présélectionnés

10. Algorithm & Effect Zuweisungen für die Preset-Programme

- * The abbreviations for the effect groupes are as follows:
 * Les abréviations pour les groupes d'effet sont les suivants:
 * Die Abkürzungen für die Effekt-Gruppen sind wie folgt:

- DYN (Dynamic) GROUP
 - CDE — Compressor/Distortion/Equalizer
 - CMP — Dual Compressor
 - ENH — Dual Enhancer
 - WAH — Stereo wah
 - PEQ — Dual Parametric Equalizer
 - MBD — Multi-band Distortion
 - CDW — Compressor/Distortion/Equalizer/Wah
 - DST — Stereo Distortion/Equalizer
- REV1 (Reverb 1) GROUP
 - PCM — Mono Pitch Change
 - PCS — Stereo Pitch Change
 - RV1 — Reverb 1
 - ER1 — Early Reflections 1
 - DL1 — Mono Delay 1
 - EC1 — Echo (Stereo Delay) 1
 - MD1 — Modulation Delay 1
 - MT1 — Multi Tap Delay 1
- MOD (Modulation) GROUP
 - CHO — Chorus
 - FLG — Flanger
 - SYM — Symphonic
 - TRM — Tremolo
 - PAN — Round Pan
- REV2 (Reverb 2) GROUP
 - RV2 — Reverb 2
 - ER2 — Early Reflections 2
 - DL2 — Mono Delay 2
 - EC2 — Echo (Stereo Delay) 2
 - MT2 — Multi Tap Delay 2
 - R+D — Reverb + Delay

- * Effect shown in parentheses are OFF.
 * Effets indiqués en parenthèses sont sur OFF.
 * Effekte in Klammern sind ausgeschaltet.

Memory Number	Program Title	Effect Assignments	
		Algorithm	
0	Initial Data	1	CDE→CHO→PCM→RV2
Distortion Guitar Group			
1	Massive Dist.	3	CDE→(CHO)→RV2 PCS
2	Triple Stack	4	CDE→SYM→DL1 RV2
3	Fullrange Dist.	4	CDE→CHO→RV1 DL2
4	Southern Rock	1	CDE→SYM→DL1→RV2
5	Smooth Dist.	4	CDE→CHO→DL1 R+D
6	Metal Master	6	CDE→SYM→EC1 →RV2→
7	Razor's Edge	1	CDE→RV1→DL2→SYM
8	Power Detune	8	CDE → PCS (CHO)→(RV2)
9	Tube Lead	4	CDE→FLG→RV1 DL2
10	FX Distortion	1	CDE→(PCM)→(SYM)→RV2
11	Sweet Lead	4	CDE→(CHO)→DL1 DL2
12	Harmony Lead	1	CDE→PCM→SYM→EC2
13	Rockin' 70's	4	PCM→CDE→FLG RV2
14	Multi Lead	4	CDE→(CHO)→MT1 MT2
15	Mid Peak	1	FLG→CDE→EC1→DL2
16	3-way Dist.	4	MBD→PAN→MD1 RV2
17	Led Distortion	1	CDE→(CHO)→DL2→RV1
18	Tight Distortion	4	CDE→FLG→RV1 DL2
19	Pan Distortion	1	CDE→CHO→ER1→DL2
20	Hard Sitar	3	CDE→FLG→RV2 PCM
21	Flange Sitar	4	CDE→FLG→PCS DL2

Memory Number	Program Title	Algorithm	Effect Assignments
Distortion Guitar Group			
22	Shapeless Bells	4	CDE→FLG→PCS DL2
23	Tight Rock	2	PCM→CDE→(CHO) ER2
24	Crunch	2	CDE→(DL1)→SYM RV2
25	Slide Distortion	1	MBD→(FLG)→DL1→ER2
26	Touch Dist.	4	CDE→(CHO)→PCS RV2
27	Cluster Dist. 1	4	CDE→CHO→PCS RV2
28	Cluster Dist. 2	1	CDE→PCS→DL2→(TRM)
29	Cluster Dist. 3	1	CDE→PCS→DL2→(TRM)
30	Talkin' Dist.	4	CDW→(CHO)→MD1 ER2
31	Wide-Pan Dist.	1	CDE→PCM→SYM→DL2
32	Wah Distortion	4	WAH→DL1→CHO RV2
33	Sparkler	3	CDE→FLG→ER2 PCS
34	Meteor	5	CDE→CHO→ER2 →PCS→
Non-Distortion Guitar Group			
35	Simply Sweet	4	CDE→CHO→RV1 DL2
36	Compressed Solo	4	CDE→SYM→RV1 DL2
37	Bright Backer	4	CDE→SYM→RV1 DL2
38	Shimmer Echo	4	CDE→CHO→PCS DL2
39	Crisp Chops	2	SYM→DL2→PEQ PCM
40	Touch Of Jazz	4	CDE→SYM→DL1 RV2
41	50's Boogie	3	PCM→CHO→PEQ EC2
42	Touch Wah	10	WAH→FLG→ PCS/R+D
43	Dry Clean	3	CDE→DL1→CHO RV2
44	Crisp Q	8	CMP→PCM FLG→DL2
45	Spicy Repeat	4	CDE→CHO→DL1 RV2

Memory Number	Program Title	Algorithm	Effect Assignments
Non-Distortion Guitar Group			
46	Fifths	8	PEQ→PCS SYM→DL2
47	Light Harmony	7	CDE→SYM→PCS →RV2→
48	Silver Strings	9	→CHO→PEQ ER1/EC2
49	Stereo Tremolo	1	CMP→PCS→EC2→TRM
50	Funk Groove	1	CDE→CHO→PCM→EC2
51	City Theme	4	CDE→MT1→SYM DL2
52	Pitch Twist	7	CDE→FLG→PCS →RV2→
53	Bright Chorus	4	CDE→CHO→RV1 DL2
54	Wanderer	1	CDE→PCS→DL2→(TRM)
55	Reverb Sweep *1	3	CMP→DL1→TRM RV2
56	Dew	6	CDE→FLG→PCS →DL2→
57	Treble Tremolo	1	CDE→PCM→RV2→TRM
58	Tape Echo	1	CDE→MD1→TRM→RV2
59	Hollow Body	4	CDE→(CHO)→DL1 RV2
60	Nylon Strings	4	CDE→CHO→DL1 RV2
61	Comp Chorus	6	CMP→PCS→(FLG) →RV2→
Bass Group			
62	Fretless Solo	3	CDE→CHO→RV2 (PCS)
63	Fretless Pick	1	CDE→CHO→(PCS)→(RV2)
64	Flange Bass	1	PCM→(CHO)→PEQ→DL2
65	Touch-wah Bass	4	WAH→(PCM)→(SYM) RV2
66	Slap Bass	4	CDE→(CHO)→RV1 DL2
67	Bass Distortion	1	CDE→CHO→(PCM)→RV2
68	Island Bass	1	CDE→(SYM)→(ER1)→(ER2)
69	Straight Pick	1	CDE→FLG→(ER1)→(ER2)

Memory Number	Program Title	Algorithm	Effect Assignments
Bass Group			
70	Flange Pick	1	CDE→CHO→(ER1)→(ER2)
71	Quick Chase	1	CDE→DL1→(CHO)→(ER2)
Keyboard Group			
72	EP Ambience	10	(CDE)→CHO→ PCS/RV2
73	Punchy Piano	11	→CDE→ FLG/ER1/(ER2)
74	Thick Organ	10	CDE→CHO→ PCS/(ER2)
75	Rock Organ	10	CDE→TRM→ PCS/(ER2)
76	Slow Rotor	10	WAH→TRM→ PCS/(ER2)
77	Clavi-flange	4	CDE→FLG→RV1 ER2
78	Pluck-wah	1	WAH→ER1→(FLG)→(ER2)
79	Silky Clav	4	CDE→FLG→RV1 ER2
80	Pad Fill	3	RV2→PCS→ENH SYM
81	Wind Enhancer	10	PEQ→CHO→ PCS/RV2
82	Brass Lifter	9	→R+D→ENH FLG/RV1
83	Horn Solo	4	CMP→RV1→SYM DL2
84	Polished Strings	4	PEQ→RV1→SYM ER2
85	Fat Bass	4	CDE→(SYM)→PCM DL2
86	3D-pan Bass	1	WAH→PAN→PCS→RV2
Drums/Percussion/Vocal Group			
87	Rock Drum	9	→ER2→ENH (SYM)/RV1
88	Heavy Drum	8	PCM→PEQ FLG→RV2
89	Warehouse Drum	9	→ER1→PEQ FLG/RV2
90	Percussion Gate	9	→SYM→PEQ ER1/ER2
91	Percussion-wah	11	→WAH→ FLG/PCS/ER2
92	Vocal Reverb 1 *2	9	→RV2→PEQ (FLG)/PCS

Memory Number	Program Title	Algorithm	Effect Assignments
Drums/Percussion/Vocal Group			
93	Vocal Reverb 2 *2	9	→RV2→PEQ (FLG)/PCS
Sound Effect Group			
94	Dinosaur	3	CDE→PCM→TRM DL2
95	Teleporter	4	CDE→FLG→DL1 DL2
96	Escalator	1	CDE→PCS→(DL2)→FLG
97	War Drum	7	CDE→EC2→PCS →FLG→
98	Infinite Echo	4	CDE→DL1→PAN (DL2)
99	Steam Machine	1	WAH→ER1→FLG→(ER2)

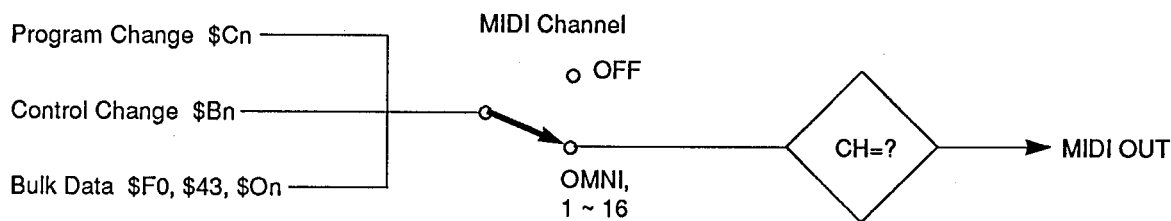
-
- *1 The Reverb Sweep program (no. 55) uses automatic panning, and must be heard in stereo. All other programs should also be heard in stereo for maximum impact.
 - *2 Program numbers 92 and 93 have been designed for use with the FX900 connected into the effect loop of a mixing console, and therefore the MIX parameter is set to 100%. If these programs are to be used without a mixing console, set the MIX parameter to provide an appropriate mix of effect and direct sound.
-
- *1 Le programme Reverb Sweep (n°55) utilise le panning automatique et doit être entendu en stéréo. Tous les autres programmes doivent être entendus en stéréo pour produire un impact maximum.
 - *2 Les numéros de programme 92 et 93 ont été conçus pour être utilisés avec le FX900 relié à une boucle d'effet d'une console de mixage et par conséquent le paramètre MIX est réglé sur 100 %. Si ces programmes sont utilisés sans une console de mixage, réglez le paramètre MIX sur une valeur permettant de fournir un mixage approprié entre l'effet et le son direct.
-
- * 1 Das Reverb Sweep Programm (Nummer 55) verwendet automatischen Panning und muß in Stereo gehört werden. Alle weiteren Programme sollten auch in Stereo gehört werden, damit die Wirkung maximal ist.
 - * 2 Programm Nummern 92 und 93 sind für den Gebrauch mit einem am Effect-Loop eines Mischpultes angeschlossenen FX900 entworfen, weshalb auch der MIX-Parameter auf 100 % eingestellt ist. Wenn diese Programme ohne Mischpult verwendet werden, müssen Sie das MIX-Parameter so einstellen, daß eine geeignete Mischung aus Effekt und direktem Sound entsteht.

11. MIDI Data Format

11. Format des données MIDI

11. MIDI-Datenformat

1. TRANSMISSION CONDITIONS



2. TRANSMISSION DATA

2-1. Channel Information (Channel Voice Message)

(1) CONTROL CHANGE

This message can be transmitted when the rear-panel MIDI THRU/OUT switch is set to the "OUT" position. Control change data corresponding to operation of foot controllers connected to the FX900 or to an FC900 connected to the FX900 is transmitted on the MIDI channel specified for the currently selected BANK. Control change messages received at the FC900 MIDI MERGE IN connector are transmitted on the channel on which they were originally received.

STATUS	1 0 1 1 n n n n (BnH)	n = 0 (channel #1) — n = 15 (channel #16)
CTL NO.	0 p p p p p p p	c = 1 — 31, 64 — 95
CTL VALUE	0 v v v v v v v	v = 0 — 127

(2) PROGRAM CHANGE

This message can be transmitted when the rear-panel MIDI THRU/OUT switch is set to the "OUT" position. Program change data corresponding to an FX900 program selection and recall operation is transmitted on the MIDI channel specified for the currently selected BANK. Program change messages received at the FC900 MIDI MERGE IN connector are transmitted on the channel on which they were originally received.

STATUS	1 1 0 0 n n n n (CnH)	n = 0 (channel #1) — n = 15 (channel #16)
PROGRAM NO.	0 p p p p p p p	p = 0 (PGM1) — 127 (PGM128)

2-2. System Information (System Exclusive Messages)

(1) 1 MEMORY BULK DATA

This message can be transmitted when the rear-panel MIDI THRU/OUT switch is set to the "OUT" position. The system exclusive data for the specified memory location is transmitted when a BULK OUT MEM operation is performed or when a 1 MEMORY BULK DUMP REQUEST message is received. The data is transmitted on the MIDI channel specified for the currently selected BANK.

STATUS	1 1 1 1 0 0 0 0 (F0H)	SYSTEM EXCLUSIVE
ID NO.	0 1 0 0 0 0 1 1 (43H)	YAMAHA
SUB STATUS	0 0 0 0 n n n n (0nH)	n = 0 (channel #1) — n = 15 (channel #16)
FORMAT NO.	0 1 1 1 1 1 1 0 (7EH)	UNIVERSAL BULK DUMP
BYTE COUNT	0 0 0 0 0 1 0 0 (02H)	
	0 0 0 0 1 1 0 0 (0CH)	
HEADER	0 1 0 0 1 1 0 0 (4CH)	"L"
	0 1 0 0 1 1 0 1 (4DH)	"M"
	0 0 1 0 0 0 0 0 (20H)	Space
	0 0 1 0 0 0 0 0 (20H)	Space
	0 0 1 1 1 0 0 0 (38H)	"8"
	0 0 1 1 0 1 1 1 (37H)	"7"
	0 0 1 1 0 0 1 0 (32H)	"2"
	0 0 1 1 0 1 0 0 (34H)	"4"
DATA NAME	0 1 0 0 1 1 0 1 (4DH)	"M" (1 MEMORY DATA)
MEMORY NO.	0 m m m m m m m	m = 0 (U00) — 99 (U99)
DATA	0 0 0 0 d d d d	} 258 BYTES
	.	
	.	
	.	
	.	
DATA	0 0 0 0 d d d d	} *1
CHECKSUM	0 c c c c c c c	
EOX	1 1 1 1 0 1 1 1 (F7H)	

(2) 1 BANK PROGRAM CHANGE TABLE BULK DATA

This message can be transmitted when the rear-panel MIDI THRU/OUT switch is set to the "OUT" position. The system exclusive data for the specified BANK is transmitted when a BULK OUT BNK operation is performed or when a 1 BANK PROGRAM CHANGE TABLE BULK DUMP REQUEST message is received. The data is transmitted on the MIDI channel specified for the currently selected BANK.

STATUS	1 1 1 1 0 0 0 0 (F0H)	SYSTEM EXCLUSIVE
ID NO.	0 1 0 0 0 0 1 1 (43H)	YAMAHA
SUB STATUS	0 0 0 0 n n n n (0nH)	n = 0 (channel #1) — n = 15 (channel #16)
FORMAT NO.	0 1 1 1 1 1 1 0 (7EH)	UNIVERSAL BULK DUMP
BYTE COUNT	0 0 0 0 0 0 1 0 (02H)	
	0 0 0 0 1 0 1 0 (0AH)	
HEADER	0 1 0 0 1 1 0 0 (4CH)	"L"
	0 1 0 0 1 1 0 1 (4DH)	"M"
	0 0 1 0 0 0 0 0 (20H)	Space
	0 0 1 0 0 0 0 0 (20H)	Space
	0 0 1 1 1 0 0 0 (38H)	"8"
	0 0 1 1 0 1 1 1 (37H)	"7"
	0 0 1 1 0 0 1 0 (32H)	"2"
	0 0 1 1 0 1 0 0 (34H)	"4"
DATA NAME	0 1 0 1 0 1 0 0 (54H)	"T" (1 BANK DATA)
BANK NO.	0 0 0 0 0 b b b	b = 1 (BANK A) — 4 (BANK D)
DATA	0 0 0 0 m m m m	} 256 BYTES
	.	
	.	
	.	
DATA	0 0 0 0 m m m m	
CHECKSUM	0 c c c c c c c	*1
EOX	1 1 1 1 0 1 1 1 (F7H)	

(3) SYSTEM SETUP BULK DATA

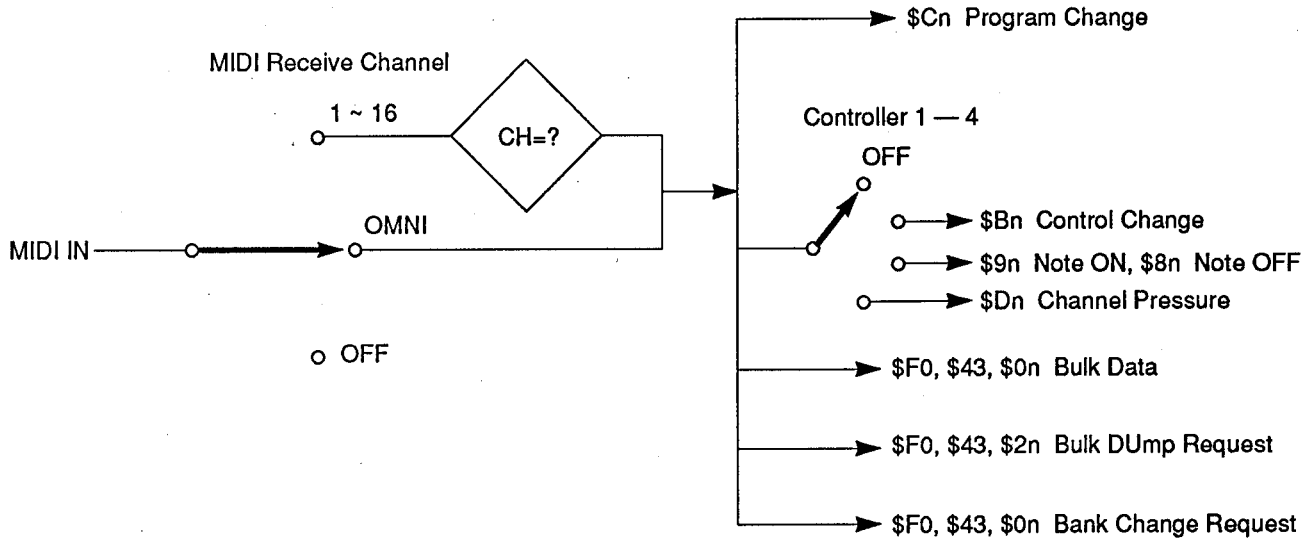
This message can be transmitted when the rear-panel MIDI THRU/OUT switch is set to the "OUT" position. The SYSTEM SETUP system exclusive data is transmitted when a BULK OUT SYS operation is performed or when a SYSTEM SETUP BULK DUMP REQUEST message is received. The data is transmitted on the MIDI channel specified for the currently selected BANK.

STATUS	1 1 1 1 0 0 0 0 (F0H)	SYSTEM EXCLUSIVE
ID NO.	0 1 0 0 0 0 1 1 (43H)	YAMAHA
SUB STATUS	0 0 0 0 n n n n (0nH)	n = 0 (channel #1) — n = 15 (channel #16)
FORMAT NO.	0 1 1 1 1 1 1 0 (7EH)	UNIVERSAL BULK DUMP
BYTE COUNT	0 0 0 0 0 0 0 0 (00H)	
HEADER	0 1 0 0 1 1 0 0 (4CH)	"L"
	0 1 0 0 1 1 0 1 (4DH)	"M"
	0 0 1 0 0 0 0 0 (20H)	Space
	0 0 1 0 0 0 0 0 (20H)	Space
	0 0 1 1 1 0 0 0 (38H)	"8"
	0 0 1 1 0 1 1 1 (37H)	"7"
	0 0 1 1 0 0 1 0 (32H)	"2"
	0 0 1 1 0 1 0 0 (34H)	"4"
DATA NAME	0 1 0 1 0 0 1 1 (53H)	"S" (SYSTEM SETUP DATA)
VERSION NO.	0 0 1 0 0 0 0 0 (20H)	Space
	0 v v v v v v v	VERSION NO. MSB
	0 v v v v v v v	VERSION NO. LSB
CHANNEL NO.	0 0 0 n n n n n	n = 0 (BANK A OMNI ON) 1 (BANK A CHANNEL NO. 1) — 16 (BANK A CHANNEL NO. 16) 17 (BANK A OFF)
	0 0 0 n n n n n	n = 0 (BANK B OMNI ON) 1 (BANK B CHANNEL NO. 1) — 16 (BANK B CHANNEL NO. 16) 17 (BANK B OFF)
	0 0 0 n n n n n	n = 0 (BANK C OMNI ON) 1 (BANK C CHANNEL NO. 1) — 16 (BANK C CHANNEL NO. 16) 17 (BANK C OFF)
	0 0 0 n n n n n	n = 0 (BANK D OMNI ON) 1 (BANK D CHANNEL NO. 1) — 16 (BANK D CHANNEL NO. 16) 17 (BANK D OFF)
BANK NO.	0 0 0 0 0 0 b b	b = 1 (BANK A) — 4 (BANK D)
CONTROL NO.	0 c c c c c c c	*2 (CONTROLLER 1 MESSAGE)
	0 c c c c c c c	*2 (CONTROLLER 2 MESSAGE)
	0 c c c c c c c	*2 (CONTROLLER 3 MESSAGE)
	0 c c c c c c c	*2 (CONTROLLER 4 MESSAGE)
RECALL MIN.	0 0 0 0 m m m m	*3 (FOOTSWITCH MEM. RECALL LOW NUMBER)
RECALL MAX.	0 0 0 0 m m m m	*3 (FOOTSWITCH MEM. RECALL HIGH NUMBER)
CHECKSUM	0 c c c c c c c	*1
EOX	1 1 1 1 0 1 1 1 (F7H)	

(4) ALL BULK DATA

This message can be transmitted when the rear-panel MIDI THRU/OUT switch is set to the "OUT" position. The ALL BULK DATA system exclusive data (all data contained in (1), (2), and (3), above) is transmitted when a BULK OUT ALL operation is performed or when an ALL BULK DUMP REQUEST message is received. The data is transmitted on the MIDI channel specified for the currently selected BANK.

3. RECEPTION CONDITIONS



4. RECEPTION DATA

4-1. Channel Information (Channel Voice Message)

(1) NOTE ON

This message is received on the MIDI channel specified in the currently selected BANK when CONTROLLER 1, 2, 3 or 4 is assigned to KEY NOTE or KEY VEL. When a NOTE ON message is received, the value of the assigned effect parameter is changed according to the received note number, velocity value.

STATUS	1 0 0 1 n n n n (9nH)	n = 0 (channel #1) — n = 15 (channel #16)
NOTE NO.	0 k k k k k k k	k = 0 — 127
VELOCITY	0 v v v v v v v	v = 1 — 127, 0 (OFF)

(2) NOTE OFF

The NOTE OFF message does not affect operation of the FX900, but receive capability has been included to provide compatibility with transmitting devices that send a NOTE OFF to mark the end of a NOTE ON message.

STATUS	1 0 0 0 n n n n (9nH)	n = 0 (channel #1) — n = 15 (channel #16)
NOTE NO.	0 k k k k k k k	k = same as NOTE ON
VELOCITY	0 v v v v v v v	v = same as NOTE ON

(3) CONTROL CHANGE

This message is received on the MIDI channel specified in the currently selected BANK when CONTROLLER 1, 2, 3, or 4 is assigned to a control number between 0 and 95. When a CONTROL CHANGE message is received, the value of the assigned effect parameter is changed according to the received control value.

STATUS	1 0 1 1 n n n n (BnH)	n = 0 (channel #1) — n = 15 (channel #16)
CTL NO.	0 c c c c c c c	c = 1 — 31, 64 — 95
CTL VALUE	0 v v v v v v v	v = 0 — 127

(4) PROGRAM CHANGE

This message is received on the MIDI channel specified in the currently selected BANK. When a PROGRAM CHANGE message is received, the effect program assigned to the received program number in the program change assignment table of the current BANK is selected.

STATUS	1 1 0 0 n n n n (CnH)	n = 0 (channel #1) — n = 15 (channel #16)
PGM NO.	0 p p p p p p p	p = 0 (PGM1 =) — 127 (PGM = 128)

(5) CHANNEL PRESSURE

This message is received on the MIDI channel specified in the currently selected BANK when CONTROLLER 1, 2, 3, or 4 is assigned to CH PRESSURE. When a CHANNEL PRESSURE message is received, the value of the assigned effect parameter is changed according to the received pressure value.

STATUS	1 1 0 1 n n n n (DnH)	n = 0 (channel #1) — n = 15 (channel #16)
PRESSURE	0 v v v v v v v	v = 0 — 127

4-2. System Information (System Exclusive Messages)

(1) 1 MEMORY BULK DATA

Received on the MIDI channel specified for the currently selected BANK. When received, the currently active program data is erased and replaced by the received data. The data format is the same as for transmission.

(2) 1 BANK PROGRAM CHANGE TABLE BULK DATA

Received on the MIDI channel specified for the currently selected BANK. When received, the currently active program change assignment table is erased and replaced by the received data. The data format is the same as for transmission.

(3) SYSTEM SETUP BULK DATA

Received on the MIDI channel specified for the currently selected BANK. When received, the current system setup data is erased and replaced by the received data. The data format is the same as for transmission.

(4) ALL BULK DATA

Received on the MIDI channel specified for the currently selected BANK. When received, virtually all currently active data is erased and replaced by the received data. The data format is the same as for transmission.

(5) 1 MEMORY BULK DUMP REQUEST

Received on the MIDI channel specified for the currently selected BANK. When received, the data corresponding to the specified USER memory location is transmitted.

STATUS	1 1 1 1 0 0 0 0 (F0H)	SYSTEM EXCLUSIVE
ID NO.	0 1 0 0 0 0 1 1 (43H)	YAMAHA
SUB STATUS	0 0 1 0 n n n n (2nH)	n = 0 (channel #1) — n = 15 (channel #16)
FORMAT NO.	0 1 1 1 1 1 1 0 (7EH)	UNIVERSAL BULK DUMP
HEADER	0 1 0 0 1 1 0 0 (4CH)	"L"
	0 1 0 0 1 1 0 1 (4DH)	"M"
	0 0 1 0 0 0 0 0 (20H)	Space
	0 0 1 0 0 0 0 0 (20H)	Space
	0 0 1 1 1 0 0 0 (38H)	"8"
	0 0 1 1 0 1 1 1 (37H)	"7"
	0 0 1 1 0 0 1 0 (32H)	"2"
	0 0 1 1 0 1 0 0 (34H)	"4"
	0 1 0 0 1 1 0 1 (4DH)	"M" (1 MEMORY DATA)
	MEMORY NO.	0 m m m m m m m
EOX	1 1 1 1 0 1 1 1 (F7H)	

(6) 1 BANK PROGRAM CHANGE TABLE BULK DUMP REQUEST

Received on the MIDI channel specified for the currently selected BANK. When received, the data corresponding to the program change assignment table of the specified BANK is transmitted.

STATUS	1 1 1 1 0 0 0 0 (F0H)	SYSTEM EXCLUSIVE	
ID NO.	0 1 0 0 0 0 1 1 (43H)	YAMAHA	
SUB STATUS	0 0 1 0 n n n n (2nH)	n = 0 (channel #1) — n = 15 (channel #16)	
FORMAT NO.	0 1 1 1 1 1 1 0 (7EH)	UNIVERSAL BULK DUMP	
HEADER	0 1 0 0 1 1 0 0 (4CL)	"L"	
	0 1 0 0 1 1 0 1 (4DH)	"M"	
	0 0 1 0 0 0 0 0 (20H)	Space	
	0 0 1 0 0 0 0 0 (20H)	Space	
	0 0 1 1 1 0 0 0 (38H)	"8"	
	0 0 1 1 0 1 1 1 (37H)	"7"	
	0 0 1 1 0 0 1 0 (32H)	"2"	
	0 0 1 1 0 1 0 0 (34H)	"4"	
	DATA NAME	0 1 0 1 0 1 0 0 (54H)	"T" (1 BANK DATA)
	BANK NO.	0 0 0 0 0 b b b	b = 1 (BANK A) — 4 (BANK D)
EOX	1 1 1 1 0 1 1 1 (F7H)		

(7) BANK CHANGE REQUEST

Received on the MIDI channel specified for the currently selected BANK. When received the specified BANK is selected.

STATUS	1 1 1 1 0 0 0 0 (F0H)	SYSTEM EXCLUSIVE
ID NO.	0 1 0 0 0 0 1 1 (43H)	YAMAHA
SUB STATUS	0 0 0 0 n n n n (0nH)	n = 0 (channel #1) — n = 15 (channel #16)
FORMAT NO.	0 1 1 1 1 1 0 0 (7CH)	
HEADER	BYTE COUNT	0 0 0 0 0 0 0 0 (00H)
	0 0 0 0 1 1 0 1 (0DH)	
	0 1 0 0 1 1 0 0 (4CH)	"L"
	0 1 0 0 1 1 0 1 (4DH)	"M"
	0 0 1 0 0 0 0 0 (20H)	Space
	0 0 1 0 0 0 0 0 (20H)	Space
	0 0 1 1 1 0 0 0 (38H)	"8"
	0 0 1 1 0 1 1 1 (37H)	"7"
	0 0 1 1 0 0 1 0 (32H)	"2"
	0 0 1 1 0 1 0 0 (34H)	"4"
DATA NAME	0 1 0 1 0 1 0 1 (55H)	"U" (BANK CHANGE)
BANK NO.	0 0 1 0 0 0 0 0 (20H)	SPACE
VERSION NO.	0 v v v v v v v	v = VERSION NO. MSB v = VERSION NO. LSB
BANK NO.	0 b b b b b b b	b = 1 (BANK A) — 4 (BANK D)
CHECKSUM	0 c c c c c c c	"1"
EOX	1 1 1 1 0 1 1 1 (F7H)	

(8) SYSTEM SETUP BULK DUMP REQUEST

Received on the MIDI channel specified for the currently selected BANK. When received, the SYSTEM SETUP DATA is transmitted.

STATUS	1 1 1 1 0 0 0 0 (F0H)	SYSTEM EXCLUSIVE
ID NO.	0 1 0 0 0 0 1 1 (43H)	YAMAHA
SUB STATUS	0 0 1 0 n n n n (2nH)	n = 0 (channel #1) — n = 15 (channel #16)
FORMAT NO.	0 1 1 1 1 1 1 0 (7EH)	UNIVERSAL BULK DUMP
HEADER	0 1 0 0 1 1 0 0 (4CH)	"L"
	0 1 0 0 1 1 0 1 (4DH)	"M"
	0 0 1 0 0 0 0 0 (20H)	Space
	0 0 1 0 0 0 0 0 (20H)	Space
	0 0 1 1 1 0 0 0 (38H)	"8"
	0 0 1 1 0 1 1 1 (37H)	"7"
	0 0 1 1 0 0 1 0 (32H)	"2"
	0 0 1 1 0 1 0 0 (34H)	"4"
DATA NAME	0 1 0 1 0 0 1 1 (53H)	"S" (SYSTEM SETUP DATA)
	0 0 1 0 0 0 0 0 (20H)	SPACE
EOX	1 1 1 1 0 1 1 1 (F7H)	

*1 cccccc is the 2's complement of the lowest 7 bits of the sum of all header and data bytes.

*2 The CONTROLLER 1 through 4 messages are as follows:

cccccc	Control Message
0	OFF
1	FX900 FOOT VOL 1
2	FX900 FOOT VOL 2
3	FC900 FOOT VOL 1
4	FC900 FOOT VOL 2
5	MIDI CONTROL 1 (MODULATION WHEEL)
:	:
35	MIDI CONTROL 31
36	MIDI CONTROL 64 (SUSTAIN PEDAL)
:	:
67	MIDI CONTROL 95
68	MIDI NOTE ON/NOTE NO.
69	MIDI NOTE ON/VELOCITY
70	MIDI CHANNEL PRESSURE

*3 The minimum and maximum footswitch memory recall values are represented by two bytes.

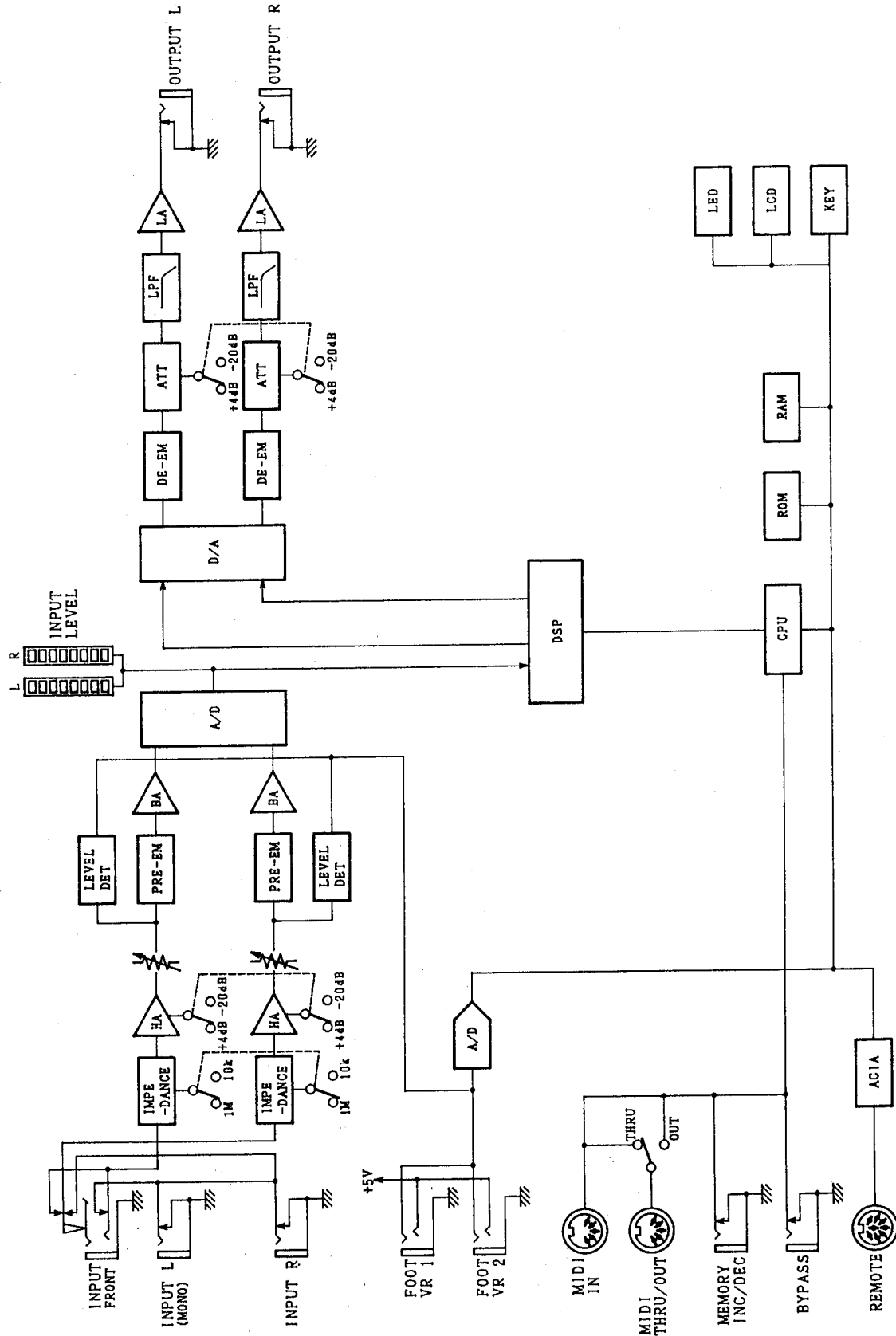
mmmmmm	Min. or Max. Program No.
0	P00 (PRESET 00)
:	:
99	P99 (PRESET 99)
100	U00 (USER 00)
:	:
199	U99 (USER 99)

Function ...	Transmitted	Recognized	Remarks
:Basic Default	: x	: 1 - 16, off	: memorized
:Channel Changed	: x	: 1 - 16, off	:
:Mode Default	: x	: OMNIoff/OMNIon	: memorized
:Mode Messages	: x	: x	:
:Mode Altered	: *****	: x	:
:Note	: x	: 0 - 127	:
:Number : True voice	: *****	: x	:
:Velocity Note ON	: x	: o v=1-127	:
:Velocity Note OFF	: x	: x	:
:After Key's	: x	: x	:
:Touch Ch's	: x	: o	:
:Pitch Bender	: x	: x	:
:Control			
:Change			
	1 - 31	: o	: o
	64 - 95	: o	: o
:Prog	: o	: o	: *1
:Change : True #	: *****	:	:
:System Exclusive	: o	: o	: Bulk Dump
:System : Song Pos	: x	: x	:
:System : Song Sel	: x	: x	:
:Common : Tune	: x	: x	:
:System :Clock	: x	: x	:
:Real Time :Commands	: x	: x	:
:Aux :Local ON/OFF	: x	: x	:
:Aux :All Notes OFF	: x	: x	:
:Mes- :Active Sense	: x	: o	:
:sages:Reset	: x	: x	:
:Notes: *1 = For program 1 - 128, memory P00-P99, U00-U99 is selected.			

12. Block Diagram

12. Schéma de principe

12. Blockschaltbild



13. FX900 Parameter Chart

13. Tableau des paramètres du FX900

13. Parameterübersicht des FX900

DYN (Dynamic) Group

EFFECT ON: on/off

EFFECT SELECT: CDE, CMP, ENH, WAH, PEQ, MBD, CDW, DST

CDE

THR: -42 — 0dB
RAT: 1/2, 1/3, 1/4, 1/6, 1/8, 1/∞
ATK: 1.0 — 20ms
REL: 0.01 — 2.0s
DST: 0 — 200
TRG: -80 — -30dB
LPF: 500Hz — 16kHz, THRU
LVL: ∞, -30 — +6dB
LoG: -15 — +15dB
MiG: -15 — +15dB
MiF: 400Hz — 6.3kHz
HiG: -15 — +15dB

PEQ

Lch LoG: -15 — +15dB
Lch LoQ: 0.10 — 10
Lch LoF: 40Hz — 1.0kHz
Rch LoG: -15 — +15dB
Rch LoQ: 0.10 — 10
Rch LoF: 40Hz — 1.0kHz
Lch MiG: -15 — +15dB
Lch MiQ: 0.10 — 10
Lch MiF: 250Hz — 4.0kHz
Rch MiG: -15 — +15dB
Rch MiQ: 0.10 — 10
Rch MiF: 250Hz — 4.0kHz
Lch HiG: -15 — +15dB
Lch HiQ: 0.10 — 10
Lch HiF: 1.0kHz — 16kHz
Rch HiG: -15 — +15dB
Rch HiQ: 0.10 — 10
Rch HiF: 1.0kHz — 16kHz
Lch HPF: THRU, 20Hz — 1.0kHz
Lch LPF: 1.0kHz — 16kHz, THRU
Lch LVL: ∞, -30 — +6dB
Rch HPF: THRU, 20Hz — 1.0kHz
Rch LPF: 1.0kHz — 16kHz, THRU
Rch LVL: ∞, -30 — +6dB

CMP

Lch THR: -36 — 0dB
Lch RAT: 1/2, 1/3, 1/4, 1/6, 1/8, 1/∞
Lch ATK: 1.0 — 20ms
Lch REL: 0.01 — 2.0s
Lch LVL: ∞, -30 — +6dB
Rch THR: -36 — 0dB
Rch RAT: 1/2, 1/3, 1/4, 1/6, 1/8, 1/∞
Rch ATK: 1.0 — 20ms
Rch REL: 0.01 — 2.0s
Rch LVL: ∞, -30 — +6dB

ENH

Lch FRQ: 400Hz — 10kHz
Lch DRV: 0 — 100
Lch MIX: 0 — 50%
Rch FRQ: 400Hz — 10kHz
Rch DRV: 0 — 100
Rch MIX: 0 — 50%
Lch LVL: ∞, -30 — +6dB
Rch LVL: ∞, -30 — +6dB

MBD

Lo-F: 80Hz — 800Hz
Lo-Q: 0.10 — 10
Lo-DRV: 0 — 200
Lo-LVL: -30 — +6dB
Mi-F: 250Hz — 2.5kHz
Mi-Q: 0.10 — 10
Mi-DRV: 0 — 200
Mi-LVL: -30 — +6dB
Hi-F: 800Hz — 8.0kHz
Hi-Q: 0.10 — 10
Hi-DRV: 0 — 200
Hi-LVL: -30 — +6dB
LPF: 500Hz — 16kHz, THRU
TOTAL LVL: ∞, -30 — +6dB

WAH

TYP: PEQ, LPF, HPF, BPF
FRQ: 40Hz — 8.0kHz
GAI: -18 — +18dB
Q: 0.50 — 10
SEN: 0 — 10
CTR: LFO, INL, INR, FV1, FV2, MID, FC1, FC2
SPD: 0.1Hz — 10.0Hz
LVL: ∞, -30 — +6dB

CDW

THR: -24 — 0dB
RAT: 1/2, 1/3, 1/4, 1/6, 1/8, 1/∞
ATK: 1.0 — 20ms
REL: 0.01 — 2.0s
DST: 0 — 200
TRG: -80 — -30dB
TON: 100Hz — 8kHz
MiG: -15 — +15dB
MiF: 400Hz — 6.3kHz
HiG: -15 — +15dB
TYP: PEK, LPF, HPF, BPF
FRQ: 40Hz — 8kHz
GAI: -18 — +18dB
Q: 0.50 — 10
SEN: 0 — 10
CTR: LFO, INL, INR, FV1, FV2, MID, FC1, FC2
SPD: 0.1Hz — 10.0Hz
LVL: -∞, -30 — +6dB

DST

DST: 0 — 200
TRG: -80 — -30dB
LPF: 500Hz — 16kHz, THRU
LVL: -∞, -30 — +6dB
LoG: -15 — +15dB
MiG: -15 — +15dB
MiF: 400Hz — 6.3kHz
HiG: -15 — +15dB

REV1 (Reverb 1) Group

EFFECT ON: on/off

EFFECT SELECT: PCM, PCS, RV1, ER1, DL1, EC1, MD1, MT1

PCM

PCA: -12 — +12
FINA: -100 — +100
DLYA: 0.1 — 1300.0ms
PCB: -12 — +12
FINB: -100 — +100
DLYB: 0.1 — 1300.0ms
PBAL: A=50 — A=B — B=50
LPF: 1.0kHz — 11kHz, THRU
FB: -100 — +100%
KEY: OFF, C1 — C6
MIX: 0 — 100%
LVL: $-\infty$, -30 — +6dB

PCS

PCL: -12 — +12
FINL: -100 — +100
DLYL: 0.1 — 650.0ms
PCR: -12 — +12
FINR: -100 — +100
DLYR: 0.1 — 650.0ms
FBL: -100 — +100%
LPFL: 1.0kHz — 11kHz, THRU
FBR: -100 — +100%
LPFR: 1.0kHz — 11kHz, THRU
TYPE: ST, MONO
L/R: L50 — L=R — R50
WID: 0 — 10
KEY: OFF, C1 — C6
MIX: 0 — 100%
LVL: $-\infty$, -30 — +6dB

RV1

TYP: Rhl, Rrm, Rvc, Rpl
RVT: 0.3 — 40s
HF: 1 — 10
DLY: 0.1 — 335.0ms
TYP: HPF, LPF
CutF: HPF= THRU, 160Hz — 1.0kHz/
LPF: 1.0kHz — 11kHz, THRU
MIX: 0 — 100%
LVL: $-\infty$, -30 — +6dB

ER1

TYP: Ehl, Erd, Ery, Epl
RSZ: 0.1 — 20
LIV: 0 — 10
DLY: 0.1 — 400.0ms
HPF: THRU, 160Hz — 1.0kHz
LPF: 1.0kHz — 11kHz, THRU
MIX: 0 — 100%
LVL: $-\infty$, -30 — +6dB

DL1

DLYL: 0.1 — 1300.0ms
DLYR: 0.1 — 1300.0ms
FBD: 0.1 — 1300.0ms
FB: -100 — +100%
TYP: HPF, LPF
CutF: HPF= THRU, 160Hz — 1.0kHz/
LPF= 1.0kHz — 11kHz, THRU
L/R: L50 — L=R — R50
WID: 0 — 10
MIX: 0 — 100%
LVL: $-\infty$, -30 — +6dB

EC1

FBDL: 0.1 — 630.0ms
FBDR: 0.1 — 630.0ms
TYP: HPF, LPF
CutF: HPF= THRU, 160Hz — 1.0kHz/
LPF= 1.0kHz — 11kHz, THRU
FBL: -100 — +100%
FBR: -100 — +100%
FBLR: -100 — +100%
FBRL: -100 — +100%
INDLY: 0.0 — 100.0ms
WID: 0 — 10
MIX: 0 — 100%
LVL: $-\infty$, -30 — +6dB

MD1

FBDL: 0.1 — 630.0ms
FBDR: 0.1 — 630.0ms
TYP: HPF, LPF
CutF: HPF= THRU, 160Hz — 1.0kHz/
LPF= 1.0kHz — 11kHz, THRU
FBL: -100 — +100%
FBR: -100 — +100%
FBLR: -100 — +100%
FBRL: -100 — +100%
INDLY: 0.0 — 100.0ms
SPD: 0.1 — 20Hz
SDET: -20 — +20
PMD: -100 — +100
AMD: -100 — +100
PH: NOR, INV
WID: 0 — 10
MIX: 0 — 100%
LVL: $-\infty$, -30 — +6dB

MT1

DLY1: 0.1 — 1200.0ms
PAN1: L50 — L=R — R50
LVL1: -100 — +100%
DLY2: 0.1 — 1200.0ms
PAN2: L50 — L=R — R50
LVL2: -100 — +100%
DLY3: 0.1 — 1200.0ms
PAN3: L50 — L=R — R50
LVL3: -100 — +100%
DLY4: 0.1 — 1200.0ms
PAN4: L50 — L=R — R50
LVL4: -100 — +100%
DLY5: 0.1 — 1200.0ms
PAN5: L50 — L=R — R50
LVL5: -100 — +100%
DLY6: 0.1 — 1200.0ms
PAN6: L50 — L=R — R50
LVL6: -100 — +100%
INDLY: 0.0 — 200.0ms
HPF: THRU, 160Hz — 1.0kHz
LPF: 1.0kHz — 11kHz, THRU
MIX: 0 — 100%
LVL: $-\infty$, -30 — +6dB

MOD (modulation) Group

EFFECT ON: on/off

EFFECT SELECT: CHO, FLG, SYM, TRM, PAN

CHO

SPD: 0.1 — 20.0Hz
PMD: 0 — 100%
AMD: 0 — 100%
MIX: 0 — 100%
LVL: $-\infty$, -30 — 0dB

FLG

SPD: 0.1 — 20.0Hz
DEP: 0 — 100%
DLY: 0.2 — 15.0ms
FB: 0 — 100%
MIX: 0 — 100%
LVL: $-\infty$, -30 — 0dB

SYM

SPD: 0.1 — 20.0Hz
DEP: 0 — 100%
MIX: 0 — 100%
LVL: $-\infty$, -30 — 0dB

TRM

SPD: 0.1 — 20.0Hz
DEP: 0 — 100%
PH: -8 — +8
MIX: 0 — 100%
LVL: $-\infty$, -30 — 0dB

PAN

SPD: 0.1 — 20.0Hz
L/R: 0 — 100%
F/R: 0 — 100%
DIR: L→, ←R
MIX: 0 — 100%
LVL: $-\infty$, -30 — 0dB

REV2 (Reverb 2) Group

EFFECT ON: on/off

EFFECT SELECT: RV2, ER2, DL2, EC2, MT2, R+D

RV2

TYP: Rhl, Rrm, Rvc, Rpl
RVT: 0.3 — 40s
HF: 1 — 10
DLY: 0.1 — 335.0ms
TYP: HPF, LPF
CutF: HPF= THRU, 160Hz — 1.0kHz/
LPF= 1.0kHz — 11kHz, THRU
MIX: 0 — 100%
LVL: $-\infty$, -30 — +6dB

ER2

TYP: Ehl, Erd, Erv, Epl
RSZ: 0.1 — 20
LIV: 0 — 10
DLY: 0.1 — 400.0ms
HPF: THRU, 160Hz — 1.0kHz
LPF: 1.0kHz — 11kHz, THRU
MIX: 0 — 100%
LVL: $-\infty$, -30 — +6dB

DL2

DLYL: 0.1 — 740.0ms
DLYR: 0.1 — 740.0ms
FBD: 0.1 — 740.0ms
FB: -100 — +100%
TYP: HPF, LPF
CutF: HPF= THRU, 160Hz — 1.0kHz/
LPF= 1.0kHz — 11kHz, THRU
L/R: L50 — L=R — R50
WID: 0 — 10
MIX: 0 — 100%
LVL: $-\infty$, -30 — +6dB

EC2

FBDL: 0.1 — 270.0ms
FBDR: 0.1 — 270.0ms
TYP: HPF, LPF
CutF: HPF= THRU, 160Hz — 1.0kHz/
LPF= 1.0kHz — 11kHz, THRU
FBL: -100 — +100%
FBR: -100 — +100%
FBLR: -100 — +100%
FBRL: -100 — +100%
INDLY: 0.0 — 100.0ms
WID: 0 — 10
MIX: 0 — 100%
LVL: $-\infty$, -30 — +6dB

MT2

DLY1: 0.1 — 640.0ms
PAN1: L50 — L=R — R50
LVL1: -100 — +100%
DLY2: 0.1 — 640.0ms
PAN2: L50 — L=R — R50
LVL2: -100 — +100%
DLY3: 0.1 — 640.0ms
PAN3: L50 — L=R — R50
LVL3: -100 — +100%
DLY4: 0.1 — 640.0ms
PAN4: L50 — L=R — R50
LVL4: -100 — +100%
DLY5: 0.1 — 640.0ms
PAN5: L50 — L=R — R50
LVL5: -100 — +100%
DLY6: 0.1 — 640.0ms
PAN6: L50 — L=R — R50
LVL6: -100 — +100%
INDLY: 0.0 — 100.0ms
HPF: THRU, 160Hz — 1.0kHz
LPF: 1.0kHz — 11kHz, THRU
MIX: 0 — 100%
LVL: $-\infty$, -30 — +6dB

R+D

DLYL: 0.1 — 380.0ms
DLYR: 0.1 — 380.0ms
FBD: 0.1 — 380.0ms
FB: -100 — +100%
L/R: L50 — L=R — R50
RVT: 0.3 — 40s
HF: 1 — 10
R/D: R50 — R=D — D50
MIX: 0 — 100%
LVL: $-\infty$, -30 — +6dB

14. Initial Data Chart

14. Tableau des données initiales

14. Übersicht der initialisierten Daten

Memory No.: P0 Initial Data

Algorithm: 1

DYN
EFFECT SELECT: CDE
THR: -20dB
RAT: 1/4
ATK: 2.0ms
REL: 0.20s
DST: 160
TRG: -35dB
LPF: THRU
LVL: -2
LoG: 0dB
MiG: +1dB
MiF: 2.0kHz
HiG: +2dB



MOD
EFFECT SELECT: CHO
SPD: 3.0Hz
PMD: 50%
AMD: 40%
MIX: 90%
LVL: 0dB



REV1
EFFECT SELECT: PCM
PCA: 0
FINA: +8
DLYA: 0.1ms
PCB: 0
FINB: -8
DLYB: 12.0ms
PBAL: A=B
LPF: THRU
FB: 0%
KEY: OFF
MIX: 100%
LVL: 0dB



REV2
EFFECT SELECT: RV2
TYP: Rhl
RVT: 2.6s
HF: 6
DLY: 30.0ms
TYP: LPF
CutF: THRU
MIX: 50%
LVL: 0dB

Controller 1 Assignment: DYN: VOL/0 — 100
Controller 2 Assignment: RV1: VOL/0 — 100
Controller 3 Assignment: MOD: VOL/0 — 100
Controller 4 Assignment: RV2: VOL/0 — 100

Litiumbatteri!
Bör endast bytas av servicepersonal.
Explosionsfara vid felaktig hantering.

VAROITUS!
Lithiumparisto, Räjähdysvaara.
Pariston saa vaihtaa ainoastaan aian
ammattimies.

ADVARSEL!
Litiumbatteri!
Eksplosionsfare. Udskiftning må kun foretages
af en sagkyndig, – og som beskrevet i
servicemanualen.

YAMAHA

SERVICE

This product is supported by Yamaha's worldwide network of factory trained and qualified dealer service personnel. In the event of a problem, contact your nearest Yamaha dealer.

SERVICE APRES-VENTE

Le FX900 est couvert par le réseau mondial de service après-vente Yamaha. En cas de problème, contactez le concessionnaire Yamaha le plus proche.

KUNDENDIENST

Dem FX900 steht das weltweite Yamaha Kundendienstnetz mit qualifizierten Technikern zur Verfügung. Im Falle einer Störung sofort den Fachhandel in Ihrer Nähe benachrichtigen.