



# SILENT *Piano*<sup>TM</sup>



Owner's manual  
Manuel de l'utilisateur  
Bedienungsanleitung  
Manual del propietario  
Usò e manutenzione

## **IMPORTANT NOTICE FOR THE UNITED KINGDOM**

### **Applies to power adaptor Connecting the Plug and Cord**

**IMPORTANT:**

THE WIRES IN THE MAINS LEAD ARE COLOURED IN ACCORDANCE WITH THE FOLLOWING CODE:

BLUE: NEUTRAL

BROWN: LIVE

As the colours of the wires in the mains lead of this apparatus may not correspond with the coloured markings identifying the terminals in your plug, proceed as follows:

The wire which is coloured BLUE must be connected to the terminal which is marked with the letter N or coloured BLACK .

The wire which is coloured BROWN must be connected to the terminal which is marked with the letter L or coloured RED.

Make sure that neither core is connected to the earth terminal of the three pin plug.

## **FCC INFORMATION (U.S.A):**

**IMPORTANT NOTICE: DO NOT MODIFY THIS UNIT!**

This product, when installed as indicated in the instructions contained in this manual, meets FCC requirements. Modifications not expressly approved by Yamaha may void your authority, granted by the FCC, to use the product.

**IMPORTANT:**

When connecting this product to accessories and/or another product use only high quality shielded cables. Cable/s supplied with this product MUST be used. Follow all installation instructions. Failure to follow instructions could void your FCC authorization to use to use this product in the USA.

**NOTE:**

This product has been tested and found to comply with the requirements listed in FCC Regulations, Part 15 for Class "B" digital devices. Compliance with these requirements provides a reasonable level of assurance that your use of this product in a residential environment will not result in harmful interference with other electronic devices. This requirement generates/ uses radio frequencies and, if not installed and used according to the instructions found in the users manual, may cause interference harmful to the operation of other electronic devices. Compliance with FCC regulations does not guarantee that interference will not occur in all installations. If this product is found to be the source of interference, which can be determined by turning the unit "OFF" and "ON", please try to eliminate the problem by using one of the following measures:

Relocate either this product or the device that is being affected by the interference.

Utilize power outlets that are on different branch (circuit breaker or fuse) circuits or install AC line filter/s.

In the case of radio or TV interference, relocate/reorient the antenna. If the antenna lead-in is 300 ohm ribbon lead, change the lead-in to co-axial type cable.

If these corrective measures do not produce satisfactory results, please contact the local retailer authorized to distribute this type of product. If you can not locate the appropriate retailer, please contact Yamaha Corporation of America, Electronic Service Division, 6600 Orangethorpe Ave, Buena Park, CA 90620

### Information for Users on Collection and Disposal of Old Equipment



This symbol on the products, packaging, and/or accompanying documents means that used electrical and electronic products should not be mixed with general household waste. For proper treatment, recovery and recycling of old products, please take them to applicable collection points, in accordance with your national legislation and the Directives 2002/96/EC.

By disposing of these products correctly, you will help to save valuable resources and prevent any potential negative effects on human health and the environment which could otherwise arise from inappropriate waste handling.

For more information about collection and recycling of old products, please contact your local municipality, your waste disposal service or the point of sale where you purchased the items.

#### [For business users in the European Union]

If you wish to discard electrical and electronic equipment, please contact your dealer or supplier for further information.

#### [Information on Disposal in other Countries outside the European Union]

This symbol is only valid in the European Union. If you wish to discard these items, please contact your local authorities or dealer and ask for the correct method of disposal.

### Information concernant la Collecte et le Traitement des déchets d'équipements électriques et électroniques



Le symbole sur les produits, l'emballage et/ou les documents joints signifie que les produits électriques ou électroniques usagés ne doivent pas être mélangés avec les déchets domestiques habituels.

Pour un traitement, une récupération et un recyclage appropriés des déchets d'équipements électriques et électroniques, veuillez les déposer aux points de collecte prévus à cet effet, conformément à la réglementation nationale et aux Directives 2002/96/EC.

En vous débarrassant correctement des déchets d'équipements électriques et électroniques, vous contribuerez à la sauvegarde de précieuses ressources et à la prévention de potentiels effets négatifs sur la santé humaine qui pourraient advenir lors d'un traitement inapproprié des déchets.

Pour plus d'informations à propos de la collecte et du recyclage des déchets d'équipements électriques et électroniques, veuillez contacter votre municipalité, votre service de traitement des déchets ou le point de vente où vous avez acheté les produits.

#### [Pour les professionnels dans l'Union Européenne]

Si vous souhaitez vous débarrasser des déchets d'équipements électriques et électroniques veuillez contacter votre vendeur ou fournisseur pour plus d'informations.

#### [Information sur le traitement dans d'autres pays en dehors de l'Union Européenne]

Ce symbole est seulement valable dans l'Union Européenne. Si vous souhaitez vous débarrasser de déchets d'équipements électriques et électroniques, veuillez contacter les autorités locales ou votre fournisseur et demander la méthode de traitement appropriée.

### Verbraucherinformation zur Sammlung und Entsorgung alter Elektrogeräte



Befindet sich dieses Symbol auf den Produkten, der Verpackung und/oder beiliegenden Unterlagen, so sollten benutzte elektrische Geräte nicht mit dem normalen Haushaltsabfall entsorgt werden.

In Übereinstimmung mit Ihren nationalen Bestimmungen und den Richtlinien 2002/96/EC, bringen Sie alte Geräte bitte zur fachgerechten Entsorgung, Wiederaufbereitung und Wiederverwendung zu den entsprechenden Sammelstellen.

Durch die fachgerechte Entsorgung der Elektrogeräte helfen Sie, wertvolle Ressourcen zu schützen und verhindern mögliche negative Auswirkungen auf die menschliche Gesundheit und die Umwelt, die andernfalls durch unsachgerechte Müllentsorgung auftreten könnten.

Für weitere Informationen zum Sammeln und Wiederaufbereiten alter Elektrogeräte, kontaktieren Sie bitte Ihre örtliche Stadt oder Gemeindeverwaltung, Ihren Abfallentsorgungsdienst oder die Verkaufsstelle der Artikel.

#### [Information für geschäftliche Anwender in der Europäischen Union]

Wenn Sie Elektrogeräte ausrangieren möchten, kontaktieren Sie bitte Ihren Händler oder Zulieferer für weitere Informationen.

#### [Entsorgungsinformation für Länder außerhalb der Europäischen Union]

Dieses Symbol gilt nur innerhalb der Europäischen Union. Wenn Sie solche Artikel ausrangieren möchten, kontaktieren Sie bitte Ihre örtlichen Behörden oder Ihren Händler und fragen Sie nach der sachgerechten Entsorgungsmethode.

### Información para Usuarios sobre Recolección y Disposición de Equipamiento Viejo



Este símbolo en los productos, embalaje, y/o documentación que se acompañe significa que los productos electrónicos y eléctricos usados no deben ser mezclados con desechos hogareños corrientes. Para el tratamiento, recuperación y reciclado apropiado de los productos viejos, por favor llévelos a puntos de recolección aplicables, de acuerdo a su legislación nacional y las directivas 2002/96/EC.

Al disponer de estos productos correctamente, ayudará a ahorrar recursos valiosos y a prevenir cualquier potencial efecto negativo sobre la salud humana y el medio ambiente, el cual podría surgir de un inapropiado manejo de los desechos.

Para mayor información sobre recolección y reciclado de productos viejos, por favor contacte a su municipio local, su servicio de gestión de residuos o el punto de venta en el cual usted adquirió los artículos.

#### **[Para usuarios de negocios en la Unión Europea]**

Si usted desea deshacerse de equipamiento eléctrico y electrónico, por favor contacte a su vendedor o proveedor para mayor información.

#### **[Información sobre la Disposición en otros países fuera de la Unión Europea]**

Este símbolo sólo es válidos en la Unión Europea. Si desea deshacerse de estos artículos, por favor contacte a sus autoridades locales y pregunte por el método correcto de disposición.

### Informazioni per gli utenti sulla raccolta e lo smaltimento di vecchia attrezzatura



Questo simbolo sui prodotti, sull'imballaggio, e/o sui documenti che li accompagnano significa che i prodotti elettriche e elettroniche non dovrebbero essere mischiati con i rifiuti domestici generici.

Per il trattamento, recupero e riciclaggio appropriati di vecchi prodotti, li porti, prego, ai punti di raccolta appropriati, in accordo con la Sua legislazione nazionale e le direttive 2002/96/CE.

Smaltendo correttamente questi prodotti, Lei aiuterà a salvare risorse preziose e a prevenire alcuni potenziali effetti negativi sulla salute umana e l'ambiente, che altrimenti potrebbero sorgere dal trattamento improprio dei rifiuti.

Per ulteriori informazioni sulla raccolta e il riciclaggio di vecchi prodotti, prego contatti la Sua amministrazione comunale locale, il Suo servizio di smaltimento dei rifiuti o il punto vendita dove Lei ha acquistato gli articoli.

#### **[Per utenti imprenditori dell'Unione europea]**

Se Lei desidera disfarsi di attrezzatura elettrica ed elettronica, prego contatti il Suo rivenditore o fornitore per ulteriori informazioni.

#### **[Informazioni sullo smaltimento negli altri Paesi al di fuori dell'Unione europea]**

Questo simbolo è validi solamente nell'Unione europea. Se Lei desidera disfarsi di questi articoli, prego contatti le Sue autorità locali o il rivenditore e richieda la corretta modalità di smaltimento.



SILENT *Piano*<sup>TM</sup>

Owner's manual

## SPECIAL MESSAGE SECTION

---

This product utilizes an external power supply (adaptor). DO NOT connect this product to any power supply or adaptor other than one described in the manual, on the name plate, or specifically recommended by Yamaha.

### **WARNING:**

Do not place this product in a position where anyone could walk on, trip over, or roll anything over power cords or other connecting cords. The use of an extension cord is not recommended! If you must use an extension cord, the minimum wire size for a 25' cord (or less) is 18 AWG.

### **NOTE:**

The smaller the AWG number, the larger the current handling capacity. For longer extension cords, consult a local electrician.

This product should be used only with the components supplied or; a cart, rack, or stand that is recommended by Yamaha. If a cart, etc., is used, please observe all safety markings and instructions that accompany the accessory product.

### **SPECIFICATIONS SUBJECT TO CHANGE:**

The information contained in this manual is believed to be correct at the time of printing. However, Yamaha reserves the right to change or modify any of the specifications without notice or obligation to update existing units.

Do not attempt to service this product beyond that described in the user-maintenance instructions. All other servicing should be referred to qualified service personnel.

This product, either alone or in combination with an amplifier and headphones or speaker/s, may be capable of producing sound levels that could cause permanent hearing loss. DO NOT operate for a long period of time at a high volume level or at a level that is uncomfortable. If you experience any hearing loss or ringing in the ears, you should consult an audiologist.

### **IMPORTANT:**

The louder the sound, the shorter the time period before damage occurs.

Some Yamaha products may have benches and/or accessory mounting fixtures that are either supplied as a part of the product or as optional accessories. Some of these items are designed to be dealer assembled or installed. Please make sure that benches are stable and any optional fixtures (where applicable) are well secured BEFORE using. Benches supplied by Yamaha are designed for seating only. No other uses are recommended.

### **NOTICE:**

Service charges incurred due to lack of knowledge relating to how a function or effect works (when the unit is operating as designed) are not covered by the manufacturer's warranty, and are therefore the owners responsibility. Please study this manual carefully and consult your dealer before requesting service.

### **ENVIRONMENTAL ISSUES:**

Yamaha strives to produce products that are both user safe and environmentally friendly. We sincerely believe that our products and the production methods used to produce them, meet these goals. In keeping with both the letter and the spirit of the law, we want you to be aware of the following:

### **Disposal Notice:**

Should this product become damaged beyond repair, or for some reason its useful life is considered to be at an end, please observe all local, state, and federal regulations that relate to the disposal of products that contain lead, batteries, plastics, etc. If your dealer is unable to assist you, please contact Yamaha directly.

## PLEASE KEEP THIS MANUAL

# Getting Started

## Contents

<b>Chapter 1 Getting Started</b> .....	1	<b>Chapter 3 Recording and Playback</b> .....	10
Accessories .....	1	Recording a Performance .....	10
Installation .....	1	Playing Back the Song Recorded in Internal	
Part Names .....	2	Memory .....	11
Attaching the Headphones Hanger .....	4	Connecting the USB Memory .....	12
Connecting the AC Adaptor .....	4	Saving Recorded Data to the USB Memory.....	13
<b>Chapter 2 To Begin Playing</b> .....	5	Playing Back Songs on the USB Memory .....	14
Using the Silent Piano Function.....	5	Playing Back Demonstration Songs	
Selecting Voices.....	6	(Demonstration Mode).....	16
Adjusting the Brilliance.....	7	<b>Chapter 4 Connecting to Other Devices</b> ..	18
Setting the Amount of Reverb.....	8	Connecting to Other Audio Devices.....	18
Adjusting the Pitch (Tuning).....	8	Connecting to Other MIDI Devices.....	20
Setting the DDE (Dynamic Damper Effect) .....	9	<b>Chapter 5 Appendix</b> .....	21
Returning Settings to Their Default		Troubleshooting.....	21
Configuration (Reset All) .....	9	The Error Chime.....	22
		Preset Voice List.....	23
		Demonstration Song List.....	24
		MIDI Data Format (Program Change).....	25
		MIDI File Playback Sequence.....	25
		Specifications.....	26

## Accessories

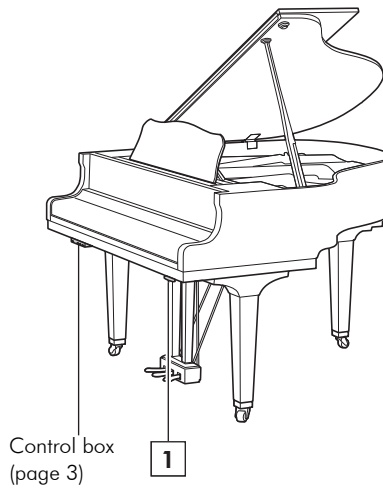
- AC adaptor (PA-5D/PA-150 or an equivalent recommended by Yamaha) ..... × 1
- Headphones (HPE-170)..... × 1
- Headphones hanger..... × 1
- Attachment screws for headphones hanger ..... × 2
- Owner's manual ..... × 1
- Music book "50 greats for the Piano" ..... × 1

## Installation

- Avoid placing this instrument in direct sunlight, in close proximity to heating equipment or other high-temperature areas, or in locations with a high degree of humidity.
- Avoid placing this instrument in dusty or dirty areas.
- Do not expose this instrument to spray or fumes.
- Use only the specified AC adaptor. Use of other AC adaptors may result in damage, overheating, or fire.

# Part Names

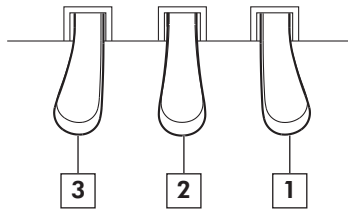
## ■ Piano



### **1 Silencing lever**

Activates the Silent Piano™ function.

## ■ Pedals



### **1 Damper pedal**

Sustains notes even after you release the keys. While performing with the piano voice, this recreates a sympathetic resonance occurs in adjacent strings on an acoustic piano (Dynamic Damper Effect).

### **2 Sostenuto pedal**

Sustains the notes that are being played at that time even after you release the keys. Subsequently played notes are not affected.

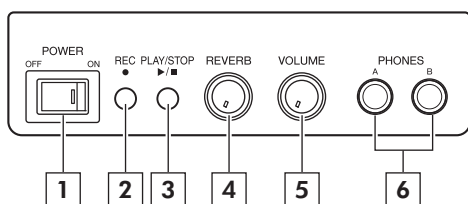
### **3 Shift pedal**

Softens the piano sound. While using the voices other than piano, you can use this pedal to switch between the normal voice and a variation (see page 6).



## ■ Control box

### Front panel



#### 1 POWER switch

Used to turn the digital piano on and off.

#### 2 REC button

Places the instrument in record standby mode. This is a combination lamp and button. The manner in which the lamp is lit indicates the recording state of the unit.

#### 3 PLAY/STOP button

Starts and stops playback. This is a combination lamp and button. The manner in which the lamp is lit indicates the current state of the unit.

#### 4 REVERB knob

Adjusts the amount of reverb.

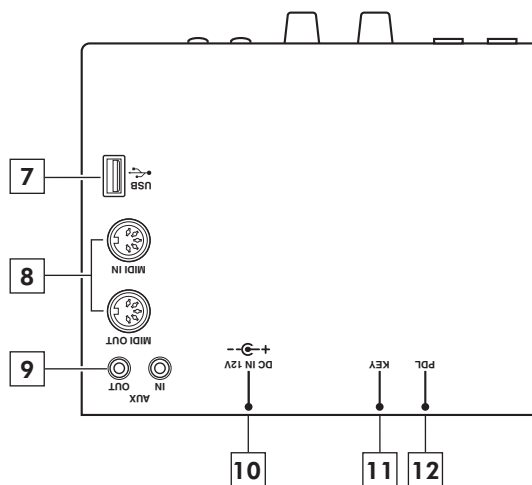
#### 5 VOLUME knob

Adjusts the volume for both headphones simultaneously.

#### 6 PHONES jacks

You can connect two stereo headphones, allowing you to share your playing with another person.

### Bottom panel



#### 7 USB terminal

Insert USB memory here.

#### 8 MIDI IN/MIDI OUT jacks

Connect to the input / output jacks of external MIDI devices.

#### 9 AUX IN/AUX OUT jacks

Connect to the input / output jacks of external audio devices.

#### 10 DC IN 12V socket

Connect the supplied AC adaptor.

#### 11 KEY jack

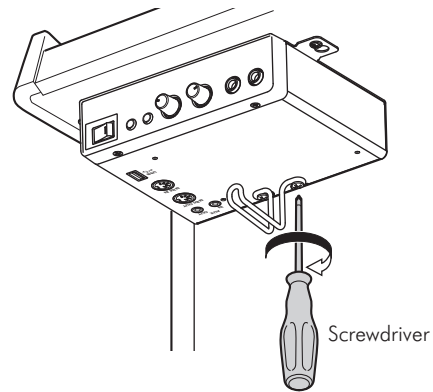
Key sensor jack.

#### 12 PDL jack

Pedal sensor jack.

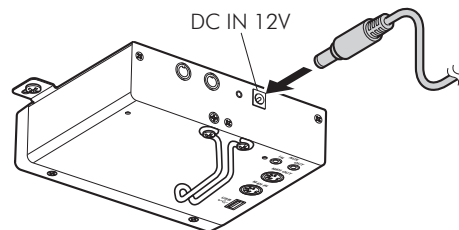
## Attaching the Headphones Hanger

Attach the hanger to the underside of the control box with the two screws supplied.

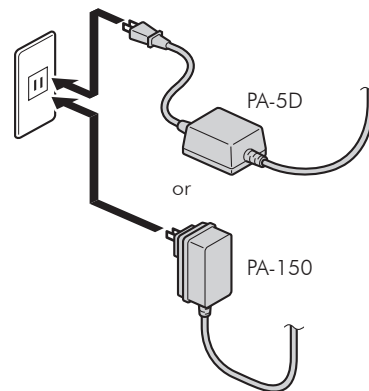


## Connecting the AC Adaptor

**1** Connect the AC adaptor to the DC IN 12V socket at the rear of the control box.



**2** Connect the AC adaptor to the AC wall outlet.



### Caution

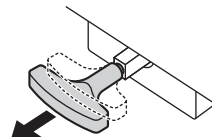
- Use the Yamaha PA-5D/PA-150 AC adaptor, or an equivalent recommended by Yamaha. Use of other AC adaptors may result in damage, overheating, or fire.
- Do not stretch the cord or bend its ends.
- Do not attempt to use the cord if it is stretched or if the ends of the cord have been bent. Attempting to do so may cause interruptions to the power supply.
- Always turn off the main unit power before disconnecting the AC adaptor.
- When you wish to move the Silent Piano, unplug the AC adaptor from the AC outlet and disconnect it from the DC IN 12V socket at the rear of the piano before proceeding.
- Unplug the AC adaptor from the AC outlet if you do not intend to use the instrument for an extended period of time.

# To Begin Playing

## Using the Silent Piano Function

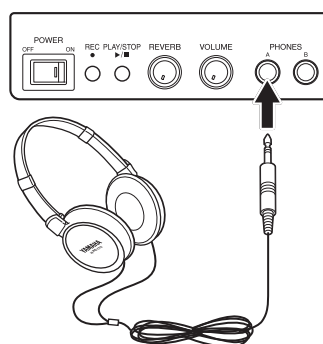
- 1 Pull the silencing lever towards you until you hear a click and feel the mechanism catch.

This prevents the hammers from actually striking the strings.



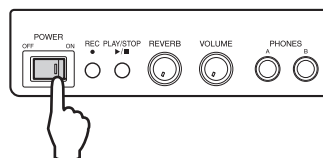
- 2 Plug the headphones into the PHONES jack.

You can use two sets of headphones simultaneously.

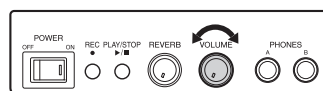


- 3 Turn the power on.

The POWER lamp lights green.



- 4 Adjust the volume with the VOLUME knob.



### Caution

- When you connect two sets of headphones simultaneously, use the same type of headphones for optimum performance.
- The keying sound of the keyboard remains even though the Silent Piano function is activated.
- To prevent damage to your hearing, refrain from raising the volume to excessive levels, and do not use the headphones for extended periods of time.
- Do not pull the headphone cord or apply excessive force on the plug. This can damage the headphone and lead to sound output malfunction.

## Selecting Voices

When using the Silent Piano function, you can use the internal voices of this unit to perform with voices other than that of a piano.

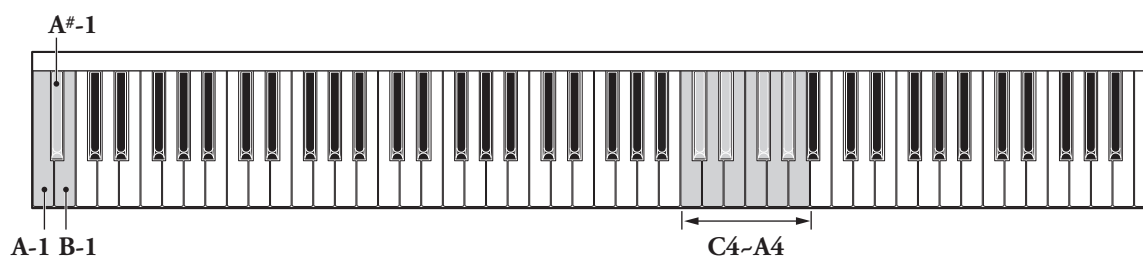
Voice name	Setting method
Piano (Default setting)	Hold down the A-1, A#-1, and B-1 keys and press C4.
Harpsichord	Hold down the A-1, A#-1, and B-1 keys and press D4.
Vibraphone	Hold down the A-1, A#-1, and B-1 keys and press E4.
Pipe organ	Hold down the A-1, A#-1, and B-1 keys and press F4.
Celesta	Hold down the A-1, A#-1, and B-1 keys and press G4.
Strings	Hold down the A-1, A#-1, and B-1 keys and press A4.
Electric piano 1	Hold down the A-1, A#-1, and B-1 keys and press C#4.
Electric piano 2	Hold down the A-1, A#-1, and B-1 keys and press D#4.
Jazz organ	Hold down the A-1, A#-1, and B-1 keys and press F#4.
Choir	Hold down the A-1, A#-1, and B-1 keys and press G#4.

### Note

- Select voices with the unit turned on.
- Turning the instrument off resets voice selection, which returns to piano the next time you turn the unit on.
- See “Preset Voice List” on page 23 for details on voices.
- You can also select two voices simultaneously for performance. See “Dual Voice” on page 7.

### Caution

- You can change voices while performing. This function is not available for songs that are being played back.
- For voices other than piano, the shift pedal alters the voice variation rather than dampening the tone.
- For voices other than piano, the volume of the sound for the three lowest keys has been lowered intentionally.



## Voice Variation

This unit provides variations on voices for your enjoyment when playing other voices than piano. See “Preset Voice List” on page 23 for details on variations.

**The voice alternates between normal and a variation every time you press the shift pedal (the pedal at far left).**

The PLAY/STOP lamp lights briefly when you change between a normal voice and its variation. Green indicates the normal voice, while orange indicates that a variation has been selected.

There are variations available for each voice. Turning off the unit resets variation selection.

## Dual Voice

This function allows you to combine two voices while playing.

**Press two keys simultaneously to select two voices.**

### Caution

As the dual voice function uses two voices for every note played, the number of notes you can play simultaneously is reduced by half.

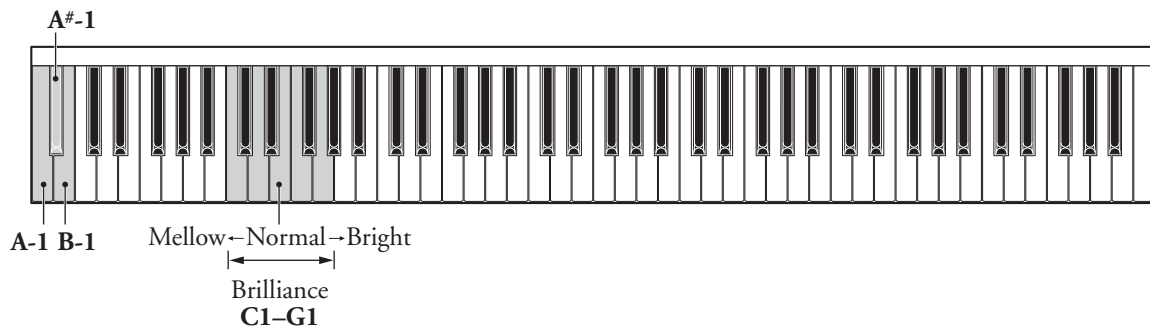
## Adjusting the Brilliance

You can adjust the timbre brilliance of the sound from mellow to bright.

Operation	Setting method
Adjusting the brilliance (5 levels)	Hold down the A-1, A#-1, and B-1 keys and press C1, D1, E1, F1 or G1. (The normal setting is E1. C1 is the mellowest brilliance setting and G1 is the brightest brilliance setting. The default setting is E1.)

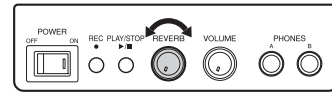
### Note

This setting is applied to all voices, and does not change when you turn the unit off.



## Setting the Amount of Reverb

Reverb adds echo to the sound to give it more fullness and reverberation. Use the REVERB knob to adjust the depth (the degree to which the reverb effect is applied to the sound). To turn the reverb off, set the knob in the far left position.

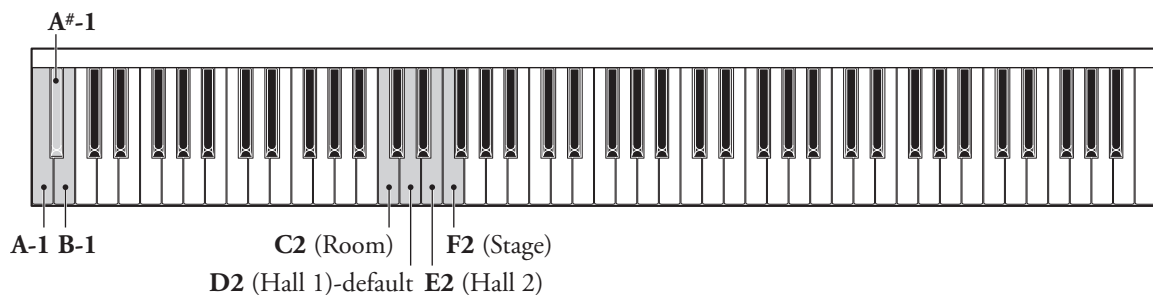


You can also change the type of reverb to apply.

Reverb type	Effect	Setting method
Room	Reverberation similar to that heard in a normal room	Hold down the A-1, A#-1, and B-1 keys and press C2.
Hall 1 (Default setting)	Reverberation similar to that heard in a small concert hall	Hold down the A-1, A#-1, and B-1 keys and press D2.
Hall 2	Reverberation similar to that heard in a large concert hall	Hold down the A-1, A#-1, and B-1 keys and press E2.
Stage	Reverberation similar to that heard on a stage	Hold down the A-1, A#-1, and B-1 keys and press F2.

### Note

The reverb type reverts to its default setting when you turn the power off.



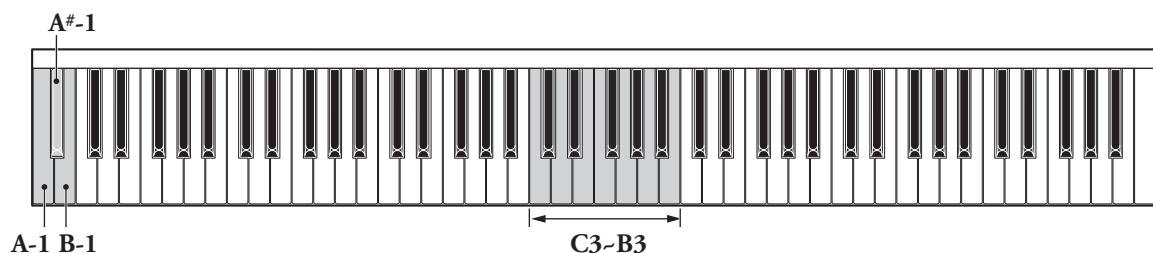
## Adjusting the Pitch (Tuning)

The pitch of this instrument is set so that A3=440Hz. You can fine tune the pitch up or down 65 cents (100 cents is equal to 1 semitone).

Operation	Setting method
Raise the pitch	Hold down the A-1 and B-1 keys and press any one of the keys between C3 and B3.
Lower the pitch	Hold down the A-1 and A#-1 keys and press any one of the keys between C3 and B3.
Return to default tuning	Hold down the A-1, A#-1, and B-1 keys and press any one of the keys between C3 and B3.

### Note

The pitch setting is stored when you turn the instrument off.



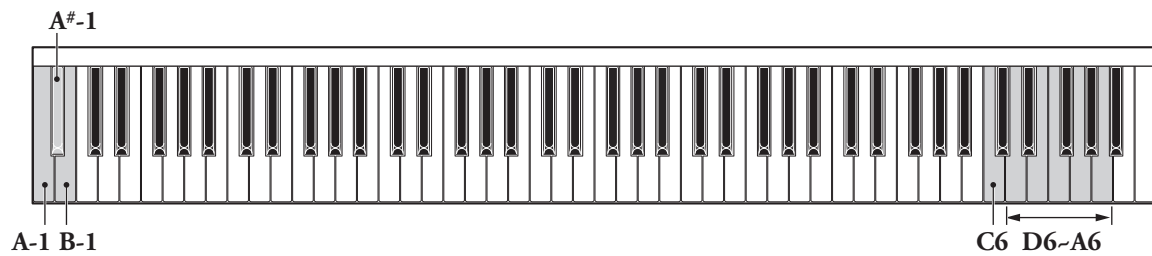
## Setting the DDE (Dynamic Damper Effect)

The DDE (Dynamic Damper Effect) recreates the subtle resonances that occur when you depress the damper pedal on an acoustic piano. You can set the DDE to suit your preferences.

Operation	Setting method
Turn the DDE off	Hold down the A-1, A#-1, and B-1 keys and press C6.
Turn the DDE on (5 levels)	Hold down the A-1, A#-1, and B-1 keys and press D6, E6, F6, G6 or A6. (A6 is the deepest DDE setting. The default setting is E6)

### Note

- The DDE setting does not change when you turn the power off.
- Even when the DDE is turned off, the sound continues as if you had pressed the damper pedal, but without any resonating effect.

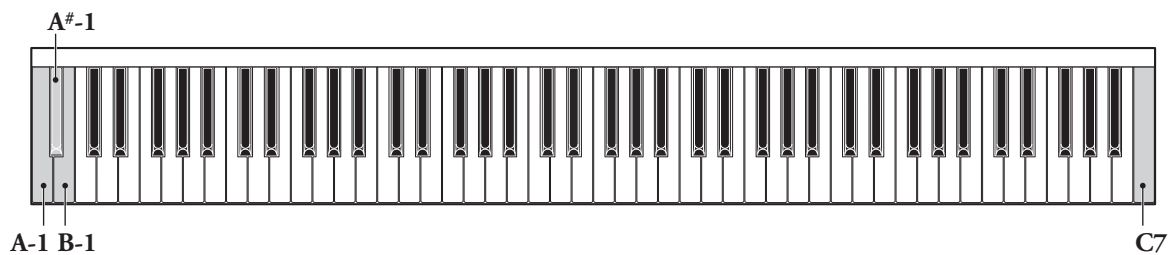


## Returning Settings to Their Default Configuration (Reset All)

You can reset all settings to their default state.

Hold down the A-1, A#-1, and B-1 keys and press C7 for approximately 1 second, then release all the keys.

This returns voice variation, brilliance, reverb type, pitch, and DDE to their default settings.



# Recording and Playback

## Recording a Performance

You can record one song in the internal memory of this unit.

### Note

- The recording function can store approximately 65 kilobytes (equal to approximately 21,000 notes), which equates to a song approximately 25 minutes in length, or 5 minutes in length for a song with a high tempo that contains many notes.
- The recording also stores information on the voice selected during performance.
- The data recorded is preserved even if you turn the power off or reset all parameters.

### Caution

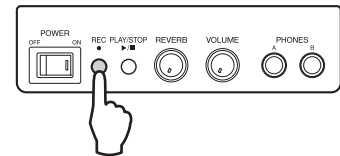
- Starting recording will delete the previously recorded song (the previous recording is not deleted if you cancel the recording without playing anything when the unit is in record standby mode). Please back up any data you do not want to delete to USB memory. See “Saving Recorded Data to the USB Memory” on page 13 for details.
- You cannot use the recording function when USB memory is connected. Please remove the USB memory before recording.

### 1 Press the REC button.

The unit changes to record standby mode, the REC lamp lights red, and the PLAY/STOP lamp blinks green.

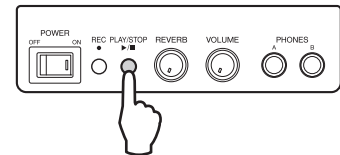
#### Note

Press the REC button again to cancel record standby mode and return the unit to its normal state.



### 2 Press the PLAY/STOP button.

The PLAY/STOP lamp lights green and recording starts.



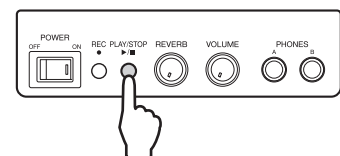
### 3 Begin playing.

During recording, a chime sounds when there is little storage space remaining in internal memory. As the amount of storage remaining decreases, the chime becomes faster, and the unit begins to write data automatically.

### 4 Stop playing, and press the PLAY/STOP button.

You can also press the REC button to stop recording. The REC lamp blinks quickly, and the unit begins to write data. The REC lamp stops flashing when the unit finishes writing data.

The data writing operation may take a few tens of seconds.



### Caution

Do not turn this unit off while the REC lamp is flashing as this may corrupt the data or damage internal memory.

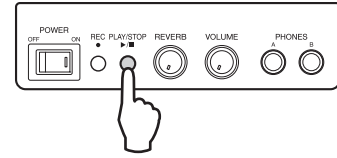


## Playing Back the Song Recorded in Internal Memory

This unit can playback demonstration songs and recorded data.

### Press the PLAY/STOP button.

The PLAY/STOP lamp lights green and playback starts.



### ■ To stop playback

Press the PLAY/STOP button during playback.

### ■ To pause playback

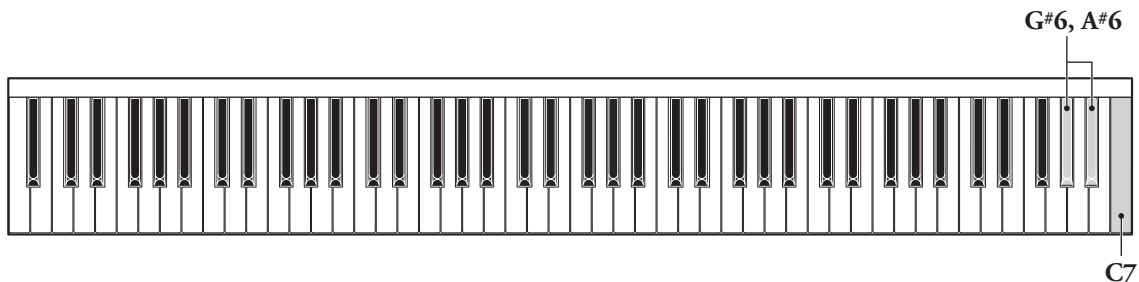
Press C7 during playback. The PLAY/STOP lamp blinks.

Press C7 or the PLAY/STOP button to restart playback.

### ■ To fast-forward

Press A#6 while holding down G#6 during playback or while playback is paused. Playback fast-forwards and the PLAY/STOP lamp blinks while you press A#6.

Release A#6 to return the unit to its previous state (playback, or with playback paused).



### Note

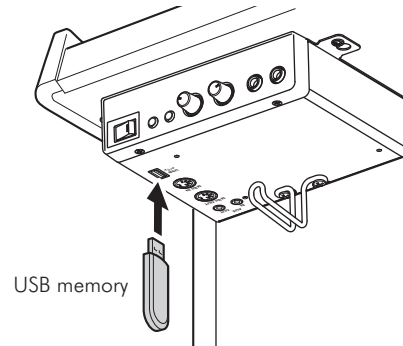
- The REC button does not function during playback or while playback is paused.
- When USB memory is connected to the unit, the data stored in USB memory is played back. See "Playing Back Songs on the USB Memory" on page 14.
- The chime sounds three times in succession if there is no song present.

## Connecting the USB Memory

Connecting commercially available USB memory to the unit allows you save recording data, and playback songs stored on the memory.

### Insert the USB memory into the USB terminal on bottom left of the control box.

The unit automatically begins checking the contents of the USB memory. During checking the PLAY/STOP lamp blinks rapidly, changing to a pale orange when the process is complete.



### Caution

- Do not remove the USB memory or turn the power on or off during data transfer, as breakage may result.
- Do not insert and remove the USB memory too frequently as breakage may result.
- Be careful not to bump the USB memory with your legs when it is connected to the unit.
- Do not insert any objects other than the USB memory into the USB terminal, as it may become unusable.
- Check that the USB memory is free of memory and software protection before attempting to use it, as these kinds of protection will prohibit access to the memory.
- This unit is USB 1.1 compliant. You can also connect USB 2.0 devices to it, however data will be transferred at USB 1.1 speeds.

## Saving Recorded Data to the USB Memory

You should back up important data to a storage medium such as a computer, in addition to saving it on USB memory. Saving data to USB memory without backing it up on other storage media means that there is a risk of losing the data through jarring and shocks.

### 1 Insert the USB memory into the unit.

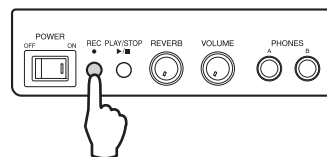
The PLAY/STOP button flashes orange, and lights pale orange when the unit has completed checking the memory.

### 2 Press the REC button.

The unit changes to transfer standby mode, the REC lamp lights red, and the PLAY/STOP lamp blinks orange.

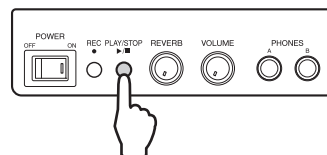
#### Note

Press the REC button once more to cancel transfer standby mode and return the unit to its normal state.



### 3 Press the PLAY/STOP button.

The PLAY/STOP lamp flashes rapidly, and data begins to transfer from internal memory to the USB memory. As the data format is also changed during transfer, the transfer process may take some time (3 to 4 minutes for a 65 kilobyte file). The REC lamp goes out and the PLAY/STOP lamp lights pale orange when transfer is complete.



#### Note

- The data is stored as "USERSONG\*\*.MID" in a folder named "USER FILES" on the USB memory. You can store up to 50 songs in this manner. "\*\*\*" can be any number from 00 to 49, and increases sequentially as files are saved.
- The unit will inform you that it cannot save any further songs when songs accumulate and the filenames reach "USERSONG49.MID".
- Attempting to save files when there are one or more files with the file names "USERSONG50.MID" through "USERSONG99.MID" in the folder will result in an error, and you will be unable to save the data.
- You cannot delete files from this unit. Please connect the USB memory to a computer if you want to delete a file.

#### Caution

When transferring data from the USB memory to a computer, previously saved files may be overwritten if they have the same file names as the files being transferred. If you do not want to overwrite these files, take measures to prevent this from happening, such as changing the names of the files.

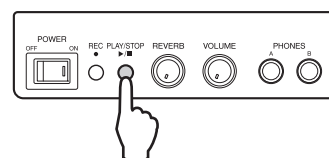
## Playing Back Songs on the USB Memory

Carrying out playback operations (see page 11) when the USB memory is inserted into this unit plays back the last saved song in the USB memory. You can also play back all songs in the USB memory from the start, or select the song for playback.

### To play back the last saved song in the USB memory

With the USB memory inserted into this unit, press the **PLAY/STOP** button.

If no saved file is found in the USB memory, and another playable file (Standard MIDI File) exists, the unit begins playback of that file. If no such file exists, the unit returns to its normal state.

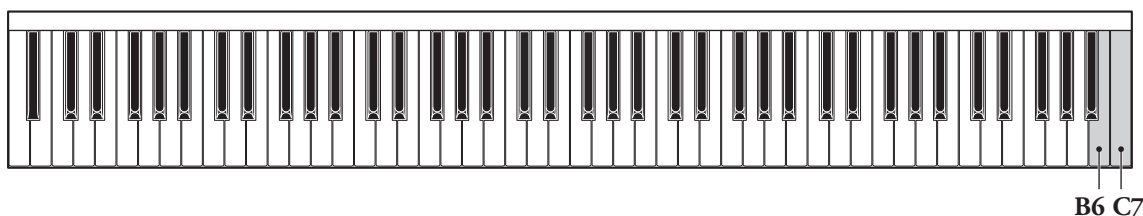


### To play back all songs in the USB memory

**1** With the USB memory inserted into this unit, hold down B6 and C7 (the two white keys at far right of the piano keyboard) while turning the unit on.

**2** Release the keys 1 to 2 seconds after turning the unit on.

Playback automatically begins at the song first saved to the USB memory.



### ■ To quit the song playback

Switch the unit off and then on again.

### ■ To select the song for playback (Direct Song Selection)

Hold down the A-1 key, and press any of the keys from C0 through to C#4 corresponding to the number of a song.

- “USERSONG\*\*.MIDI” files in the “USER FILES” folder in the USB memory are assigned to the keys from C0 through to C#4, starting from the left.
- Pressing any key other than those listed above does not select a song for playback.
- If you select a song when playback is stopped, it will be selected the next time you start playback.

## ■ To change songs

To move to the previous song press F#6. To move to the next song press A#6.

## ■ To fast-forward

Press A#6 while holding down G#6 during playback or while playback is paused. You can fast forward while the unit is outputting sound.

## ■ To pause playback

You can pause playback and restart it from where the song was paused.

Press C7 during playback. Press C7 to start playback again. While playback is paused, no keys will function other than C7 and the PLAY/STOP button (play or pause).

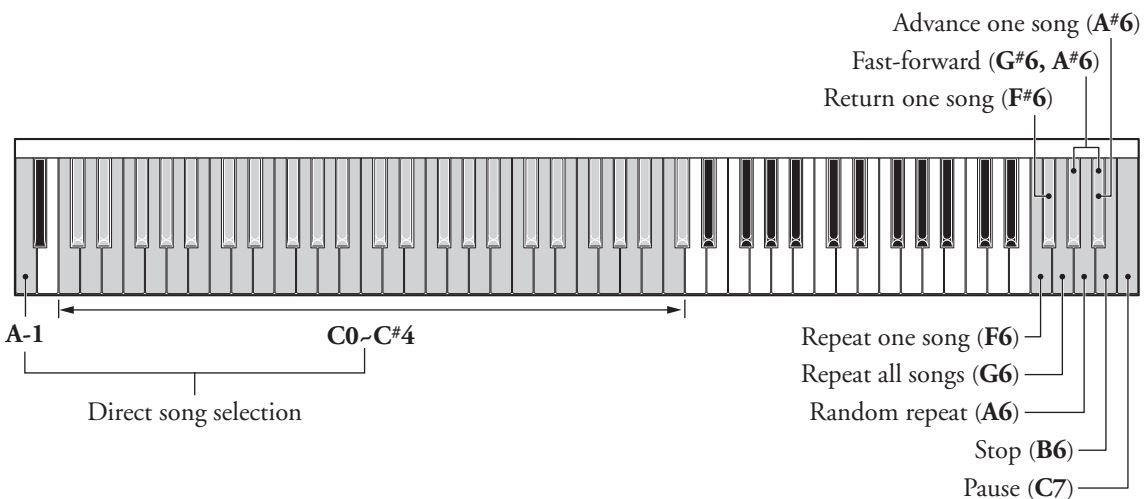
## ■ To stop playback

You can stop playback and start it from the first saved song.

Press B6 or the PLAY/STOP button during playback. Press the PLAY/STOP button to start playback again.

## ■ To set the unit in repeat mode

Press F6 to repeat playback of a single song, G6 to repeat playback of all songs, or A6 to repeat playback of all songs in random order. The default setting is to repeat playback of all songs.



### Note

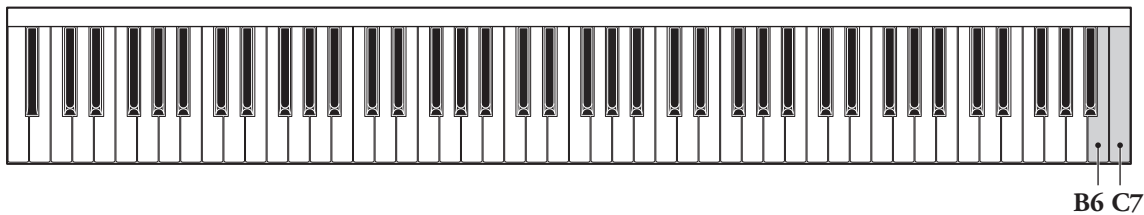
- The unit plays back a maximum of 50 songs in the USB memory.
- Playback occurs in order of the number (00 – 99) in the “\*\*\*” section of the “USERSONG\*\*.MIDI” files stored in the “USER FILES” folder in the USB memory, beginning with the lowest numbered file (usually this will mean that songs are played back in the order data was transferred to the USB memory). When the USB memory contains less than 50 songs, the unit looks for MIDI files contained in the “USER FILES” folder, the root directory, and other folders (up to two levels deep), and plays them back in the order they were transferred to the USB memory.
- The chime sounds three times in succession if there is no song present in the USB memory.
- See “MIDI File Playback Sequence” on page 25 for details on playback order.
- To record to this unit or save recording data to the USB memory, switch the unit off and then on again.

# Playing Back Demonstration Songs (Demonstration Mode)

You can play back any of the demonstration songs stored in this unit (50 greats for the Piano).

**1** Hold down B6 and C7 (the two white keys at far right of the piano keyboard) while turning the unit on.

**2** Release the keys 1 to 2 seconds after turning the unit on.  
Playback automatically begins at the first song.



## ■ To exit demonstration mode

Switch the unit off and then on again.

## ■ To select the song for playback (Direct Song Selection)

Hold down the A-1 key, and press any of the keys from C0 through to C#4 corresponding to the number of a song.

- See “Demonstration Song List” on page 24 for the songs assigned to each key.
- Pressing any key other than those listed above does not select a song for playback.
- If you select a song when playback is stopped, it will be selected the next time you start playback.

## ■ To change songs

To move to the previous song press F#6. To move to the next song press A#6.

## ■ To fast-forward

Press A#6 while holding down G#6 during playback or while playback is paused. You can fast forward while the unit is outputting sound.

## ■ To pause playback

You can pause playback and restart it from where the song was paused.

Press C7 during playback. Press C7 to start playback again. While playback is paused, no keys will function other than C7 and the PLAY/STOP button (play or pause).

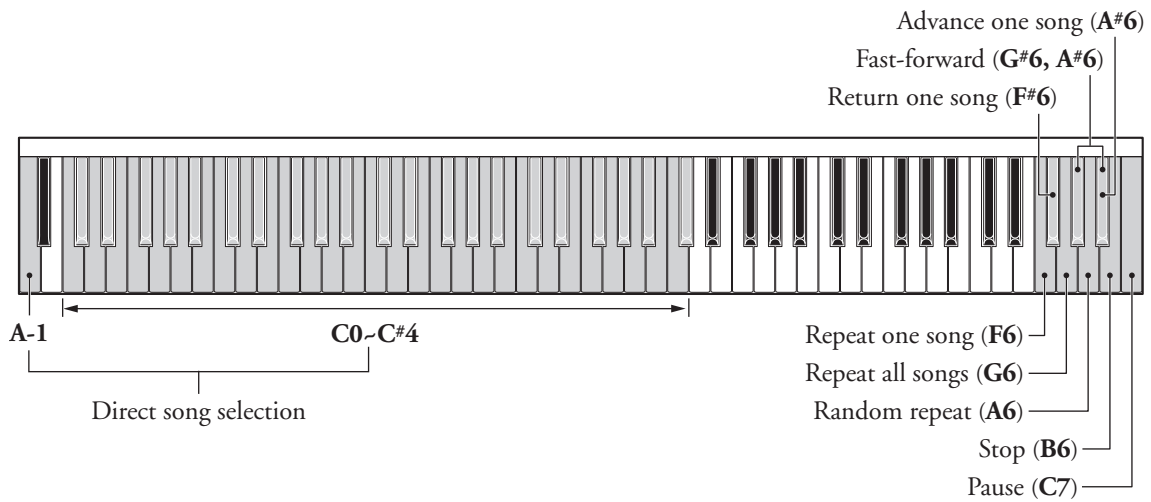
## ■ To stop playback

You can stop playback and start it from the first demonstration song.

Press B6 or the PLAY/STOP button during playback. Press the PLAY/STOP button to start playback again.

## ■ To set the unit in repeat mode

Press F6 to repeat playback of a single song, G6 to repeat playback of all songs, or A6 to repeat playback of all songs in random order. The default setting is to repeat playback of all songs.



### Note

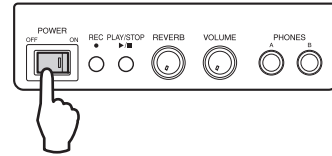
- You can use the PLAY/STOP button on the control box to start and stop playback.
- The unit may sometimes fail to enter demonstration mode, depending on the timing with which you released the keys.
- You cannot record to this unit or save recording data to the USB memory in demonstration mode. To record or save, switch the unit off and then on again.
- You cannot transfer the demonstration songs to the USB memory.

# Connecting to Other Devices

## Connecting to Other Audio Devices

### Caution

Be sure to turn off the power to both devices before attempting to connect this unit to another device.



### Note

The AUX IN/AUX OUT jack on this unit is a stereo mini jack. If your connection cable is not compatible, you will need to use an adaptor. Please use a nonresistant cable and adaptor.

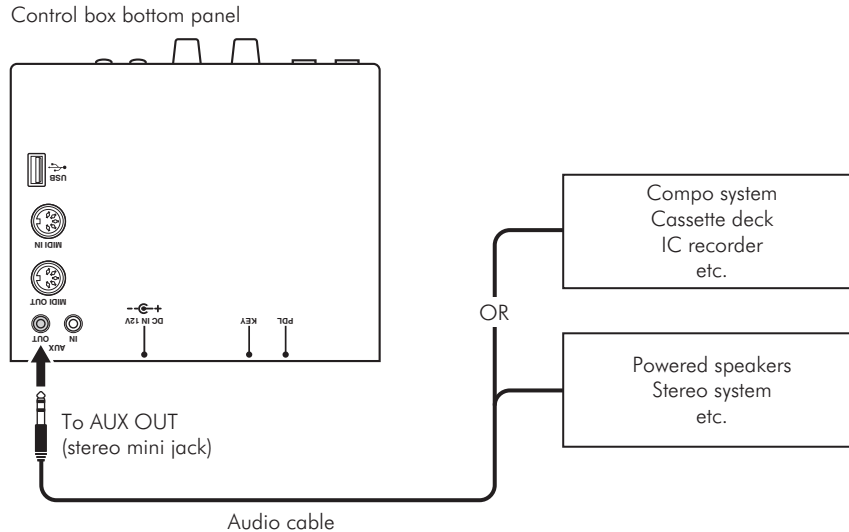
### Example: Using AUX OUT

#### ■ When connected to a compo system, cassette deck or IC recorder:

You can record performances played using this unit's Silent Piano function.

#### ■ When connected to powered speakers or a stereo system:

You can listen to performances played using this unit's Silent Piano function. The signal output from this jack is the same sound as that heard when listening through headphones.



### Caution

Do not connect the output jack of an analog recording device to this unit's AUX IN jack if you have connected this unit's AUX OUT jack to the input jack of the same recording device. Doing so will cause feedback of the audio signal which may damage both components.

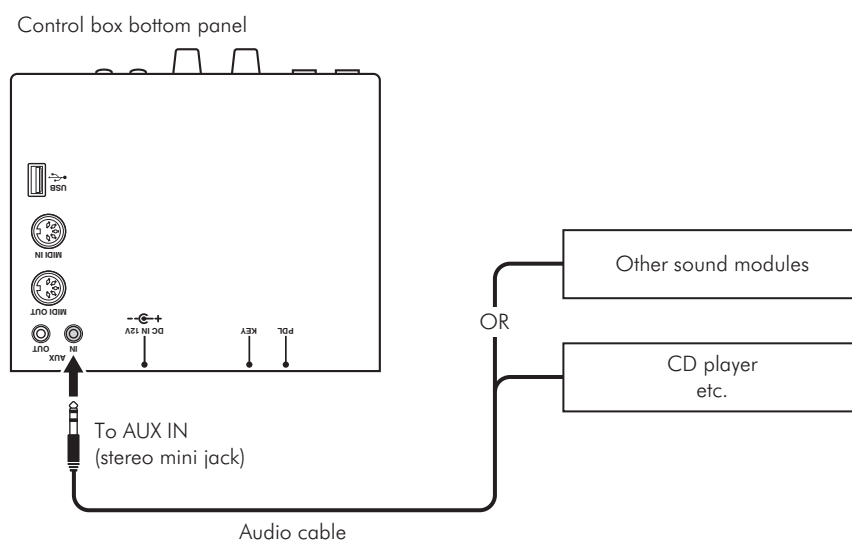


## Example: Using AUX IN

### ■ When connected to other sound modules or playback devices (such as CD players):

You can use the Silent Piano function together with the sound received from the connected devices.

You can use the VOLUME knob on this unit to simultaneously adjust the volume of its electronic sound and the sound received through its AUX IN jack. Adjust the output volume on the connected device to balance the sounds.

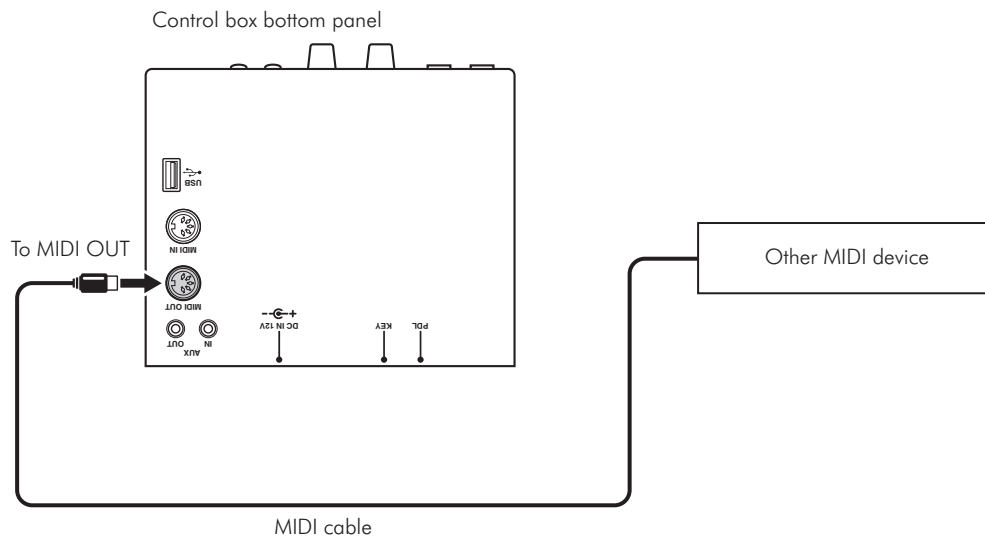


## Connecting to Other MIDI Devices

### Example: Using MIDI OUT

#### ■ When connected to other MIDI device:

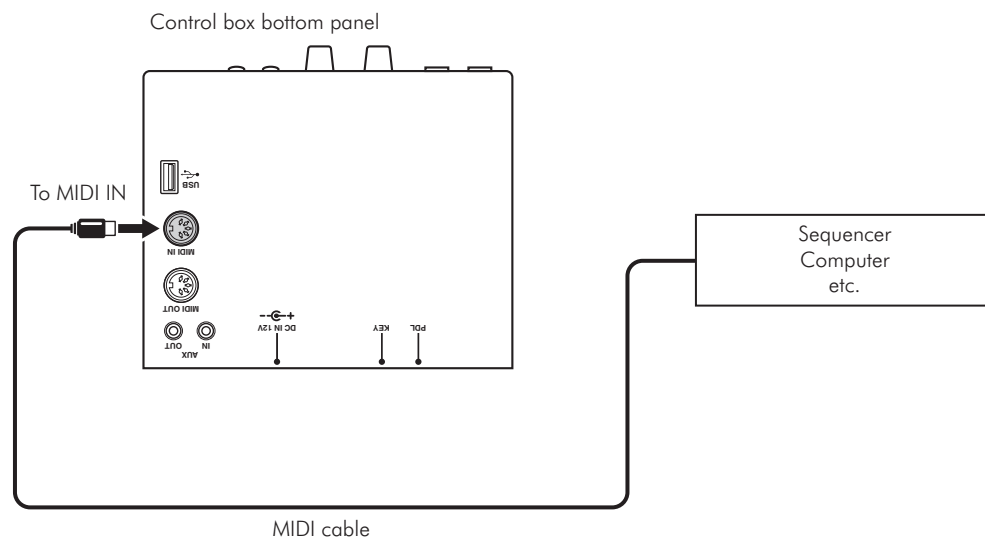
You can reproduce this unit's Silent Piano performances using sound modules such as synthesizers and other MIDI devices.



### Example: Using MIDI IN

#### ■ When connected to a sequencer or a computer:

You can use the sound module of this unit to reproduce performance data received from connected devices.



#### Note

In addition to performance data for the keyboard and pedals, information on voice changes, and reverb depth is also exchanged. MIDI data is transmitted on channel 1, and received on both channel 1 and 2.

## Troubleshooting

If you have problems with your Silent Piano, here are a few troubleshooting tips. If you cannot solve the problem easily yourself, consult your Yamaha piano dealer. DO NOT attempt to repair the piano or the AC adaptor yourself.

- 🔊 **The unit is turned on but does not emit sound.**
  - The AC adaptor may not be plugged in correctly. Insert the AC adaptor firmly into the DC IN 12V socket and AC outlet.
  - The VOLUME knob may be turned to the far left position. Adjust the setting to an optimal level. The unit outputs standard volume when the volume control is set to the 3 o'clock position.
- 🔊 **The power lamp lights but the instrument does not emit any sound, and the pedal has no effect.**
  - The key sensor or the pedal sensor on the rear panel of the control box may not be connected correctly. Insert the KEY and PDL plugs firm into their respective jacks on the control box (labeled KEY and PDL on the bottom of the control box).
- 🔊 **The acoustic piano emits sound when I am using the Silent Piano function to play.**
  - Playing with extreme force may result in sound being emitted from the acoustic piano. Please moderate the strength of your playing.
- 🔊 **The balance varies when listening through commercially available headphones.**
  - Headphone properties differ depending on their type, so different headphones may have different balance characteristics.
- 🔊 **The volume varies when listening through commercially available headphones.**
  - Headphone properties differ depending on their type, so different headphones may have different volume characteristics.
- 🔊 **I can hear a rattling sound from the piano body when using it in Silent Piano mode.**
  - This is not a fault. This is the sound of the acoustic piano's keystroke.
- 🔊 **When I play a rapid series of notes in Silent Piano mode, a loud sound is emitted that is not part of the performance.**
  - This is not a fault. The structure of the Silent Piano causes this to occur in some cases.
- 🔊 **No reverb effect is applied to the sound.**
  - The REVERB knob may be set to the extreme left. Rotate the knob to the right to apply an appropriate amount of reverb (see page 8).
- 🔊 **The sound lingers excessively (There is too much reverb applied to the sound).**
  - The reverb and DDE may be set at an excessive level. Set these parameters to an appropriate level (see pages 8 and 9).
- 🔊 **The pitch of this instrument is different to that of other instruments.**
  - You can adjust the pitch of this unit to match that of other instruments (see page 8).
- 🔊 **Panel buttons are lit when I am not playing or recording.**
  - The buttons light dimly when USB memory is connected in the USB terminal (see pages 12 and 14).

🔊 **The USB memory does not respond.**

- Remove the USB memory from the unit and then reinsert it.
- Check that the PLAY/STOP lamp blinks orange when you insert the USB memory. If the lamp does not flash, the USB memory may be broken (see page 12).

🔊 **When I turn the power on with the instrument in demonstration mode and USB memory inserted into the USB terminal, the internal demonstration songs play for a short while before playback of the songs in stored in the USB memory begins.**

- This is not a fault. This unit may take some time to recognize certain kinds of USB memory. The internal demonstration songs play during the recognition process.

🔊 **USB data does not play back.**

- This is not a fault. In some cases the MIDI file for the song may be too large for the unit to load, resulting in an error.

## The Error Chime

---

In the event of the following errors occurring, the REC and PLAY/STOP lamps blink rapidly and a chime sounds 3 times in succession. Press the REC or PLAY/STOP buttons to stop the error chime.

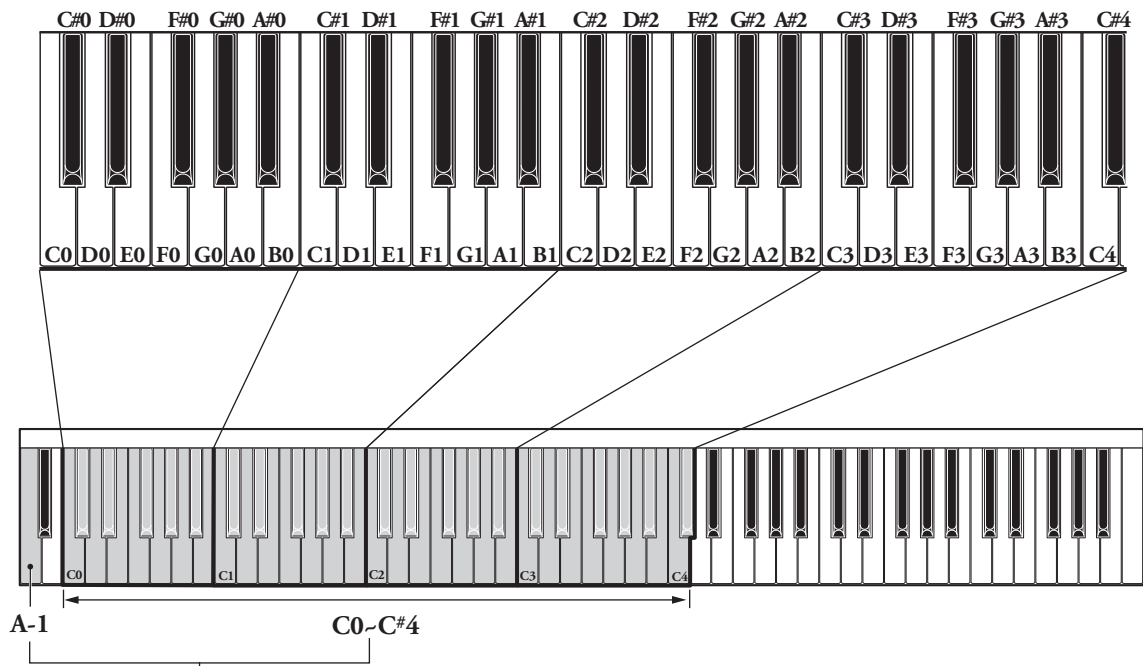
- The USB memory is damaged and cannot be accessed.
- Song data is damaged.
- A file is too big for the unit to read.
- The power was turned off while the unit was processing information, resetting internal memory to its default settings. Any song you recorded and stored in the internal memory of this unit has been erased. You cannot stop the error chime during the reset.
- The USB memory has insufficient space remaining and cannot save your song.
- The USB memory is write-protected.

## Preset Voice List

Voice name	Assigned key	Explanation	Variation
Piano	C4	A sample taken from a CFIIIS full-length concert grand piano. This voice offers a broad range of expression, from a delicate pianissimo to an intense fortissimo, and reproduces the expansive feeling produced by the reverberation of the strings when you use the damper pedal.	There is no variation setting for piano. The left pedal provides a soft (shifted) pedal effect.
Harpsichord	D4	This voice is often used in baroque music. Volume and tone do not respond to changes in touch. This voice also provides a realistic reproduction of the sound produced when a key is released on a real harpsichord.	Sound from strings an octave above those you are playing is blended into the overall mix, for a brighter, more effusive sound.
Vibraphone	E4	A vibraphone struck with relatively light mallets.	A vibraphone with vibrato induced by rotating fans.
Pipe organ	F4	The magnificent pipe organ made famous by Bach's "Tocatta and Fugue".	A relaxed principal-style organ of the type often used in church music from the Baroque era.
Celesta	G4	The keyboard-style glockenspiel renowned for its appearances in works such as "The Dance of the Sugar-Plum Fairy" from Tchaikovsky's "Nutcracker Suite". Its delicate music-box like sound is charming, and with a register one octave higher than that of a piano, the celesta allows you to enjoy the pleasures of the treble register.	Voice with a register adjusted to the same as the piano.
Strings	A4	A string section, redolent with atmosphere. This voice is very effective when used in dual mode together with the piano voice.	This variation reduces the attack of the sound slightly.
Electric piano 1	C#4	An electric piano voice from an FM synthesizer, of the kind often used in popular music. This voice is also effective when used in dual mode together with the piano voice.	A chorus effect adds an increased feeling of spaciousness to the sound.
Electric piano 2	D#4	A hammer-and-metal style piano voice, which responds dynamically to the player's touch from a soft tone when played gently to a lightly distorted tone when played with more force. This is used extensively in pop and jazz.	Adds a phaser effect to the tone for an increased feeling of spaciousness.
Jazz organ	F#4	A rotary organ voice used widely in jazz and rock.	Press the left pedal to switch the speed of the rotary speaker (vibrato) to high.
Choir	G#4	The sound of a choir singing in a large space. This voice is also effective when used in dual mode together with the piano voice.	This variation reduces the attack of the sound slightly.

# Demonstration Song List

No. (Key)	Title / Composer	No. (Key)	Title / Composer
1 (C0)	Invention No. 1 / J. S. Bach	26 (C#2)	Etude op. 10-12 "Revolutionary" / F. F. Chopin
2 (C#0)	Invention No. 8 / J. S. Bach	27 (D2)	Valse op. 64-1 "Petit chien" / F. F. Chopin
3 (D0)	Gavotte / J. S. Bach	28 (D#2)	Valse op. 64-2 / F. F. Chopin
4 (D#0)	Prelude (Wohltemperierte Klavier I No. 1) / J. S. Bach	29 (E2)	Valse op. 69-1 "L'adieu" / F. F. Chopin
5 (E0)	Menuett G dur BWV. Anh. 114 / J. S. Bach	30 (F2)	Nocturne op. 9-2 / F. F. Chopin
6 (F0)	Le Coucou / L-C. Daquin	31 (F#2)	Träumerei / R. Schumann
7 (F#0)	Piano Sonate No. 15 K. 545 1st mov. / W. A. Mozart	32 (G2)	Fröhlicher Landmann / R. Schumann
8 (G0)	Turkish March / W. A. Mozart	33 (G#2)	La Prière d'une Vierge / T. Badarzewska
9 (G#0)	Menuett G dur / W. A. Mozart	34 (A2)	Dolly's Dreaming and Awakening / T. Oesten
10 (A0)	Little Serenade / J. Haydn	35 (A#2)	Arabesque / J. F. Burgmuller
11 (A#0)	Perpetuum mobile / C. M. v. Weber	36 (B2)	Pastorale / J. F. Burgmuller
12 (B0)	Ecossaise / L. v. Beethoven	37 (C3)	La chevaleresque / J. F. Burgmuller
13 (C1)	Für Elise / L. v. Beethoven	38 (C#3)	Liebesträume Nr. 3 / F. Liszt
14 (C#1)	Marcia alla Turca / L. v. Beethoven	39 (D3)	Blumenlied / G. Lange
15 (D1)	Piano Sonate op. 13 "Pathétique" 2nd mov. / L. v. Beethoven	40 (D#3)	Barcarolle / P. I. Tchaikovsky
16 (D#1)	Piano Sonate op. 27-2 "Mondschein" 1st mov. / L. v. Beethoven	41 (E3)	Melody in F / A. Rubinstein
17 (E1)	Piano Sonate op. 49-2 1st mov. / L. v. Beethoven	42 (F3)	Humoresque / A. Dvorak
18 (F1)	Impromptu op. 90-2 / F. P. Schubert	43 (F#3)	Tango (España) / I. Albeniz
19 (F#1)	Moments Musicaux op. 94-3 / F. P. Schubert	44 (G3)	The Entertainer / S. Joplin
20 (G1)	Frühlingslied op. 62-2 / J. L. F. Mendelssohn	45 (G#3)	Maple Leaf Rag / S. Joplin
21 (G#1)	Jägerlied op. 19b-3 / J. L. F. Mendelssohn	46 (A3)	La Fille aux Cheveux de Lin / C. A. Debussy
22 (A1)	Fantaisie-Impromptu / F. F. Chopin	47 (A#3)	Arabesque 1 / C. A. Debussy
23 (A#1)	Prelude op. 28-15 "Raindrop" / F. F. Chopin	48 (B3)	Clair de lune / C. A. Debussy
24 (B1)	Etude op. 10-5 "Black keys" / F. F. Chopin	49 (C4)	Rêverie / C. A. Debussy
25 (C2)	Etude op. 10-3 "Chanson de l'adieu" / F. F. Chopin	50 (C#4)	Cakewalk / C. A. Debussy



After switching to the demonstration mode (page 16), hold down the A-1 key and press the key corresponding to the number you want to select.

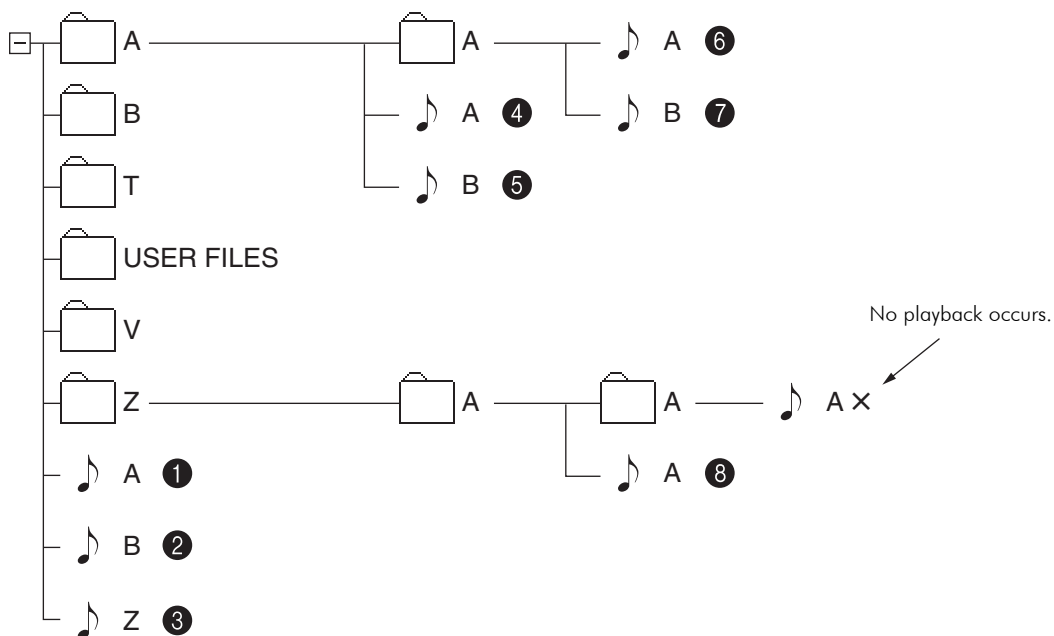
## MIDI Data Format (Program Change)

Voice name	MSB	LSB	P.C.#
Piano	0	112	1
Harpsichord	0	112	7
Harpsichord (Variation)	0	113	7
Vibraphone	0	112	12
Electric piano 1	0	112	6
Electric piano 2	0	112	5
Pipe organ	0	112	20
Pipe organ (Variation)	0	113	20
Celesta	0	112	9
Celesta (Variation)	0	113	9
Jazz organ	0	112	17
Strings	0	112	49
Strings (Variation)	0	113	49
Choir	0	112	53
Choir (Variation)	0	113	53

MSB, LSB (Bank Select), 0-127  
P.C.# = Program Change Number, 1-128

## MIDI File Playback Sequence

The illustration below shows the playback order when no “USERSONG\*\*.MID” files are present, or the unit finds less than 50 songs after searching in the “USER FILES” folder. This unit looks for the MIDI files contained in root directory or other folders (up to two levels deep) in the order they were transferred to the USB memory.



## Specifications

<b>Keyboard</b>		88 keys
<b>Pedals</b>		Damper pedal, Sostenuto pedal, Shift pedal
<b>Sensor System</b>	<b>Hammer Sensor</b>	Noncontact 2-point optical fiber sensor
	<b>Key Sensor</b>	Noncontact continuous detection optical sensor
	<b>Pedal Sensors</b>	Damper pedal: continuous detection sensor Sostenuto pedal: ON/OFF detection sensor Shift pedal: ON/OFF detection sensor
<b>Silencing System</b>	<b>Mechanism</b>	Hammer shank stopper operated by silencing lever
	<b>Action</b>	Quick Escape mechanism
<b>Internal Tone</b>	<b>Type</b>	Advanced Wave Memory (AWM)
	<b>Polyphony*</b>	64-note / 32-note stereo sampling / 16-note with the damper pedal resonance effect
	<b>Number of Voices</b>	10
	<b>Voices</b>	Piano, Harpsichord, Vibraphone, Pipe organ, Celesta, Strings, Electric piano 1, Electric piano 2, Jazz organ, Choir
<b>Functions</b>	Headphone volume control	
	Voice switch (10 voices)	
	Voice variation switch	
	Dual voice selection	
	Brilliance adjustment (5 steps)	
	Reverb type switch (Room, Hall 1, Hall 2, Stage)	
	Reverb adjustment	
	Pitch adjustment (-65 to +65 cent)	
	DDE (damper pedal resonance effect) adjustment (5 steps)	
	All reset	
	Recording	
	Playback	
<b>Demonstration Songs</b>		50 greats for the Piano (preset)
<b>Connectors</b>	<b>Audio</b>	PHONES × 2, AUX IN, AUX OUT
	<b>MIDI</b>	MIDI IN, MIDI OUT
	<b>Others</b>	USB TO DEVICE, DC IN 12V
<b>Power Consumption</b>		DC 12 V 8W (when used with PA-150)
<b>Supplied Accessories</b>		AC adaptor (PA-5D/PA-150 or an equivalent recommended by Yamaha), Headphones (HPE-170), Headphones hanger, Attachment screws for headphones hanger, Owner's manual, Music book "50 greats for the Piano"

\* 64-note: Electric piano 2, Jazz organ  
 16-note: Pipe organ (excluding variation), Harpsichord (variation)  
 32-note: Voices other than the above



# MIDI IMPLEMENTATION CHART

Yamaha Silent Piano  
Model: SG

Date:10-July-2006  
Version:1.00

Function...		Transmitted	Recognized	Remarks
Basic Channel	Default	1	1+2	
	Changed	×	×	
Mode	Default	3	3	
	Messages	×	×	
	Altered	*****	×	
Note Number		21-108	21-108	
	: True voice	*****	21-108	
Velocity	Note ON	○ 9nH, v=1-127	○ v=1-127	
	Note OFF	○ 8nH, v=40H	○	
After Touch	Key s	×	×	
	Ch s	×	×	
Pitch Bend		×	×	
Control Change	0, 32	○	○	Bank Select
	1	×	○	Modulation
	7	×	○	Volume
	10	×	○	Panpot
	11	×	○	Expression
	64, 67	○	○	Pedal
	66	○	○	Sostenuto Pedal
	91	○	○	Effect Depth
Prog Change		○	○	
	: True #	*****		
System Exclusive		×	×	
Common	: Song Pos	×	×	
	: Song Sel	×	×	
	: Tune	×	×	
System Real Time	: Clock	×	×	
	: Commands	×	×	
Aux	: All Sound OFF	○	○ (120, 126, 127)	
	: Reset All Cntrls	×	○ (121)	
	: Local ON/OFF	×	○ (122)	
	: All Notes OFF	×	○ (123-125)	
Messages	: Active Sense	○	○	
	: Reset	×	×	
Notes				

Mode 1 : OMNI ON. POLY  
Mode 3 : OMNI OFF. POLY

Mode 2 : OMNI ON. MONO  
Mode 4 : OMNI OFF. MONO

○: Yes  
X: No

