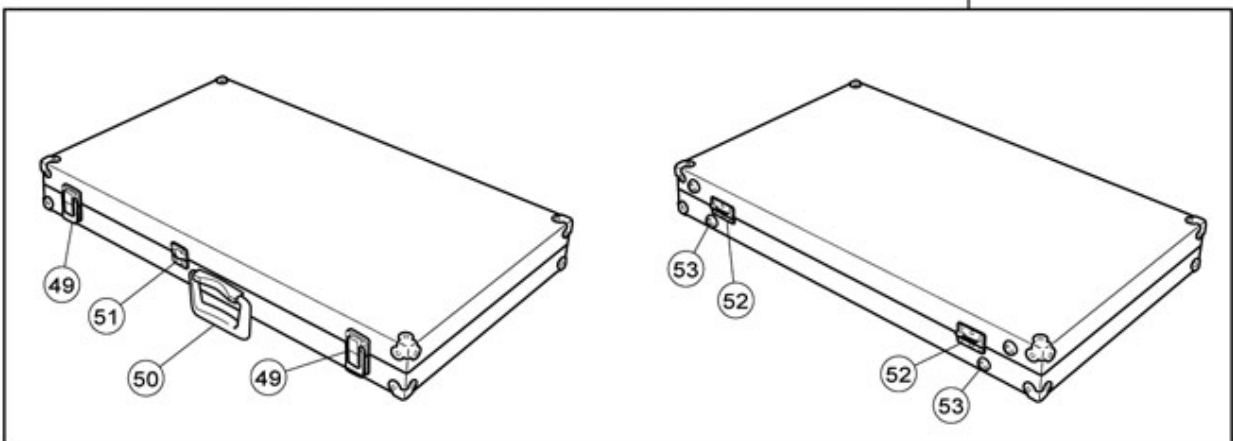
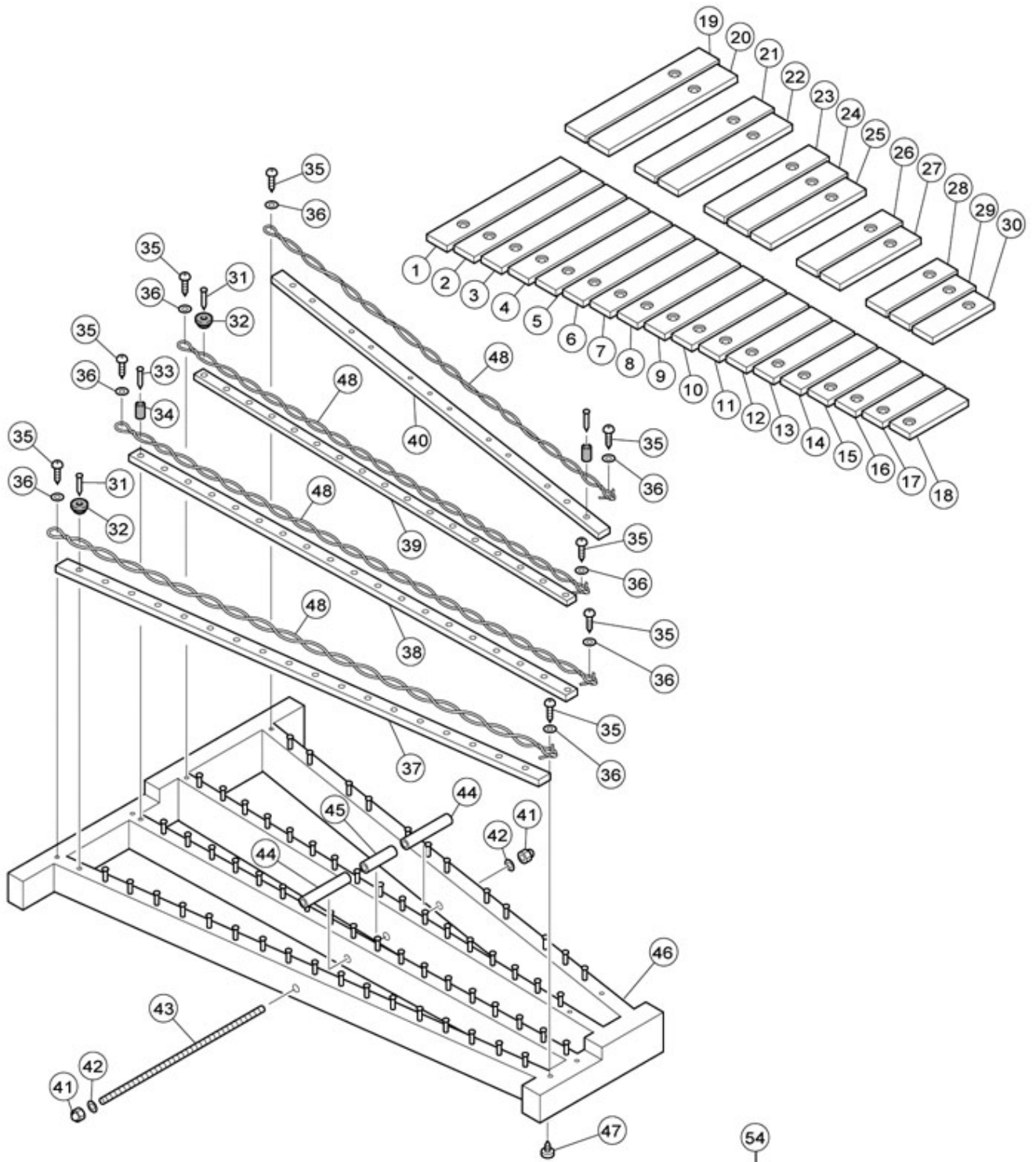


Model Name : DG1590A



DG1590B

Model Name : DG1590A

Ref No.	Parts No.(ChangeNo.)	English Name	Minimum Delivery	Accept order or not
1	WJ824400	Tone Bar G59 DG1590B	1 PC	
10	WJ826000	Tone Bar B75 DG1590B	1 PC	
11	WJ826100	Tone Bar C76 DG1590B	1 PC	
12	WJ826300	Tone Bar D78 DG1590B	1 PC	
13	WJ826500	Tone Bar E80 DG1590B	1 PC	
14	WJ826600	Tone Bar F81 DG1590B	1 PC	
15	WJ826800	Tone Bar G83 DG1590B	1 PC	
16	WJ827000	Tone Bar A85 DG1590B	1 PC	
17	WJ827200	Tone Bar B87 DG1590B	1 PC	
18	WJ827300	Tone Bar C88 DG1590B	1 PC	
19	WJ824500	Tone Bar G#60 DG1590B	1 PC	
2	WJ824600	Tone Bar A61 DG1590B	1 PC	
20	WJ824700	Tone Bar A#62 DG1590B	1 PC	
21	WJ825000	Tone Bar C#65 DG1590B	1 PC	
22	WJ825200	Tone Bar D#67 DG1590B	1 PC	
23	WJ825500	Tone Bar F#70 DG1590B	1 PC	
24	WJ825700	Tone Bar G#72 DG1590B	1 PC	
25	WJ825900	Tone Bar A#74 DG1590B	1 PC	
26	WJ826200	Tone Bar C#77 DG1590B	1 PC	
27	WJ826400	Tone Bar D#79 DG1590B	1 PC	
28	WJ826700	Tone Bar F#82 DG1590B	1 PC	
29	WJ826900	Tone Bar G#84 DG1590B	1 PC	
3	WJ824800	Tone Bar B63 DG1590B	1 PC	
30	WJ827100	Tone Bar A#86 DG1590B	1 PC	
31	V8905000	Tone Bar MountingPost YG-1210,YG-250D,Y	1 PC.	
32	WV856480	RUBBER INSULATOR YG250D	1 PC	
33	WV856490	ToneBar GuidePost YG-1210,YG-250D,YG-50	1 PC	
34	WJ829900	Guide Pin Insulator DG1590B	1 PC	
35	WJ830401	R. HEAD WOODING SCREW M3.1XL16 FZN2W3	1 PC.	
36	WJ830600	Flat Washer3x8x0.5 MFZN2W3	1 PC	
37	WJ829500	Tone Bar Cushion Felt(1) DG1590B	1 PC	
38	WJ829600	Tone Bar Cushion Felt(2) DG1590B	1 PC	
39	WJ829700	Tone Bar Cushion Felt(3) DG1590B	1 PC	
4	WJ824900	Tone Bar C64 DG1590B	1 PC	
40	WJ829800	Tone Bar Cushion Felt(4) DG1590B	1 PC	
41	WJ828900	Domed Cap Nut5 MFZN2B3	1 PC	
42	WJ829000	Flat Washer 5.5x15x1.2 MFZN2W3	1 PC	
43	WJ828400	Nodal Rod DG1590B	1 PC	
44	WJ828500	NR Spacer(L) DG1590B	1 PC	
45	WJ828600	NR Spacer(S) DG1590B	1 PC	

