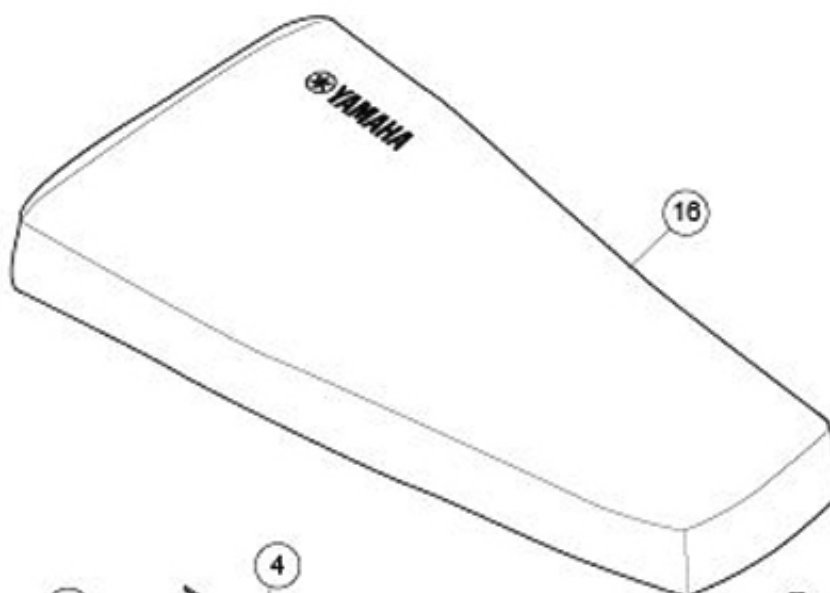


Model Name : YX-230

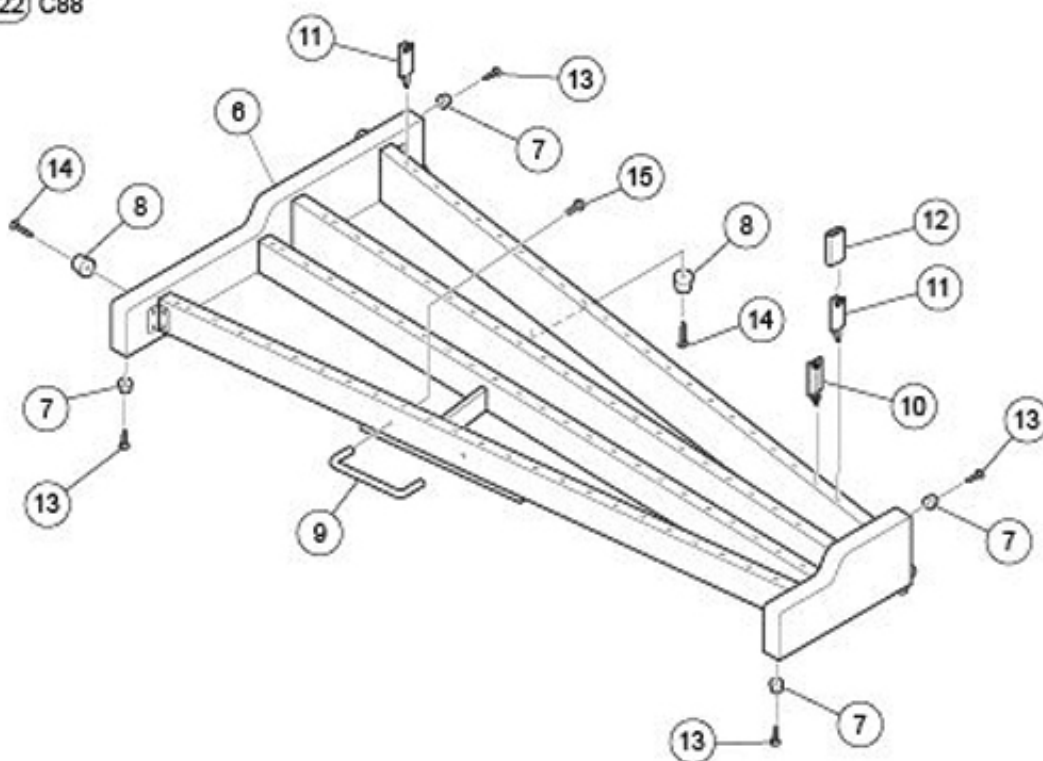
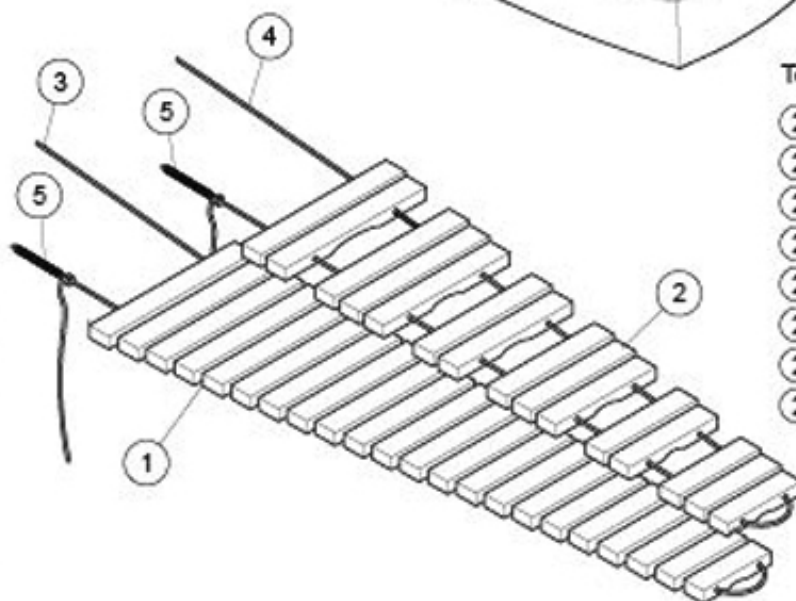


Tone Bar (Natural)

- | | |
|------------|------------|
| (1-1) C52 | (1-12) G71 |
| (1-2) D54 | (1-13) A73 |
| (1-3) E56 | (1-14) B75 |
| (1-4) F57 | (1-15) C76 |
| (1-5) G59 | (1-16) D78 |
| (1-6) A61 | (1-17) E80 |
| (1-7) B63 | (1-18) F81 |
| (1-8) C64 | (1-19) G83 |
| (1-9) D66 | (1-20) A85 |
| (1-10) E68 | (1-21) B87 |
| (1-11) F69 | (1-22) C88 |

Tone Bar (Accidental)

- | | |
|------------|-------------|
| (2-1) C#53 | (2-9) G#72 |
| (2-2) D#55 | (2-10) A#74 |
| (2-3) F#58 | (2-11) C#77 |
| (2-4) G#60 | (2-12) D#79 |
| (2-5) A#62 | (2-13) F#82 |
| (2-6) C#65 | (2-14) G#84 |
| (2-7) D#67 | (2-15) A#86 |
| (2-8) F#70 | |



Model Name : YX-230

Ref No.	Parts No.(ChangeNo.)	English Name	Minimum Order Quantity	Accept order or not
1	ZU008900	TONE BAR ASSY N (with string/spring)	1 PC	
1-1	ZU009100	PAINTED TONE BAR C52 YX230	1 PC	
1-10	ZU010700	PAINTED TONE BAR E68 YX230	1 PC	
1-11	ZU010800	PAINTED TONE BAR F69 YX230	1 PC	
1-12	ZU011000	PAINTED TONE BAR G71 YX230	1 PC	
1-13	ZU011200	PAINTED TONE BAR A73 YX230	1 PC	
1-14	ZU011400	PAINTED TONE BAR B75 YX230	1 PC	
1-15	ZU011500	PAINTED TONE BAR C76 YX230	1 PC	
1-16	ZU011700	PAINTED TONE BAR D78 YX230	1 PC	
1-17	ZU011900	PAINTED TONE BAR E80 YX230	1 PC	
1-18	ZU012000	PAINTED TONE BAR F81 YX230	1 PC	
1-19	ZU012200	PAINTED TONE BAR G83 YX230	1 PC	
1-2	ZU009300	PAINTED TONE BAR D54 YX230	1 PC	
1-20	ZU012400	PAINTED TONE BAR A85 YX230	1 PC	
1-21	ZU012600	PAINTED TONE BAR B87 YX230	1 PC	
1-22	ZU012700	PAINTED TONE BAR C88 YX230	1 PC	
1-3	ZU009500	PAINTED TONE BAR E56 YX230	1 PC	
1-4	ZU009600	PAINTED TONE BAR F57 YX230	1 PC	
1-5	ZU009800	PAINTED TONE BAR G59 YX230	1 PC	
1-6	ZU010000	PAINTED TONE BAR A61 YX230	1 PC	
1-7	ZU010200	PAINTED TONE BAR B63 YX230	1 PC	
1-8	ZU010300	PAINTED TONE BAR C64 YX230	1 PC	
1-9	ZU010500	PAINTED TONE BAR D66 YX230	1 PC	
10	ZP815200	SUSPENSION POST I-42	1 PC	
11	ZU013500	SUSPENSION POST S-107	1 PC	
12	ZU013600	RUBBER INSULATOR JM	1 PC	
13	ZU005900	TRUS WOOD SCREW 3.1X15 MFZN2B3	1 PC.	
14	WG913300	SCREW WOOD +FLAT 4.1X25 MFZN2B3	1 PC.	
15	ZU006100	MACHINE SCREW TRUSS 6.0X30 MFZN2B3	1 PC	
16	ZU013700	TOP COVER YX230	1 PC	
2	ZU009000	TONE BAR ASSY A (with string/spring)	1 PC	
2-1	ZU009200	PAINTED TONE BAR C#53 YX230	1 PC	
2-10	ZU011300	PAINTED TONE BAR A#74 YX230	1 PC	
2-11	ZU011600	PAINTED TONE BAR C#77 YX230	1 PC	
2-12	ZU011800	PAINTED TONE BAR D#79 YX230	1 PC	
2-13	ZU012100	PAINTED TONE BAR F#82 YX230	1 PC	
2-14	ZU012300	PAINTED TONE BAR G#84 YX230	1 PC	
2-15	ZU012500	PAINTED TONE BAR A#86 YX230	1 PC	
2-2	ZU009400	PAINTED TONE BAR D#55 YX230	1 PC	
2-3	ZU009700	PAINTED TONE BAR F#58 YX230	1 PC	

