



# GCT1 Clip-on Chromatic Tuner

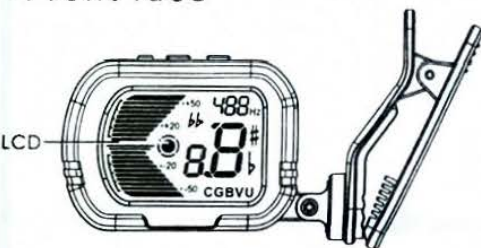
## Owner's Manual

### Product Description

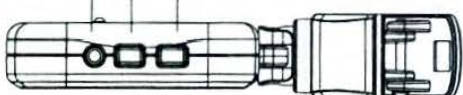
Clip-on Chromatic tuner. The portable design makes it easy to go with you and it can be easily rotated in different directions and angles to give you a clear view while tuning.

### Product interface

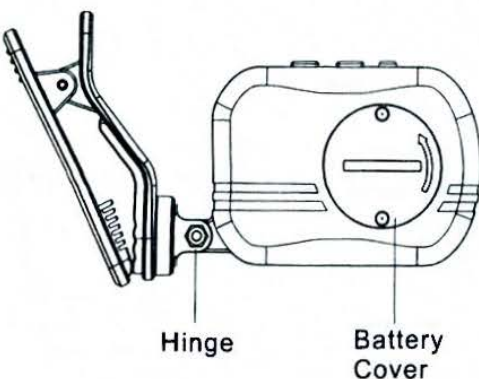
#### • Front face



Power /Mode Flat Pitch



#### • Back face



Hinge

Battery Cover

#### • LCD Interface



A4

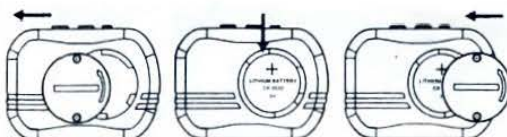
Note Name

Mode

Note name	Chromatic	C, C#, D, Eb, E, F, F#, G, G#, A, Bb, B
	Guitar	6E, 5A, 4D, 3G, 2B, 1E
	Bass	LB, 4E, 3A, 2D, 1G, HC
	Violin	4G, 3D, 2A, 1E,
	Ukulele	4G, 3C, 2E, 1A,
Signal input	CLIP	
Meter	-50~0~+50,5 cents/segment	

### Installing the battery

When the LCD becomes dim, please replace the battery as soon as possible.



Rotate the battery cover until the compartment opens. Pop the battery out, replace with a new one and rotate clockwise until it locks. Pay attention to polarity.

### Operation

1. Press POWER/MODE to turn on/off tuner. Every time you turn the power on, all icons will be displayed for 1 second. The tuner will turn on to the last setting. The default tuning mode is Chromatic.

2. Press PITCH to adjust A4 from 430 - 450Hz (1Hz steps)

3. Press POWER/MODE briefly to set mode: Chromatic, Guitar, Bass, Violin Ukulele key C, Ukulele key D.

4. Press FLAT to set semi-tone: off, b, bb (this is only available in Guitar and Bass mode)

5. Play a single note on your instrument. The display will show the name of the note and string number closest to the pitch detected by the GCT1. Tune your instrument until the LCD shows the correct string and note name.

6. Play another single note on your instrument, if the "horizontal lines" are moving up, that means the note is sharp. If the "horizontal lines" are moving down, that means the note is flat. For a secondary reference, the circle will spin clockwise if you are sharp and counterclockwise if you are flat, indicating which direction to turn the tuning peg.

### Specifications

- Tuning scale: Chromatic, Guitar, Bass, Violin, Ukulele key C, Ukulele key D
- Tuning mode: PIEZO
- Tuning range: A<sub>4</sub> (27.50 Hz) - C<sub>8</sub> (4186 Hz)
- Calibration: 430 - 450Hz (1Hz steps)
- Flat: b, bb
- Precision: ± 1 cent
- Response Time: <20 ms
- Power: 3V (CR2032 lithium battery)
- Power consumption:
  - Tuning mode: <15mA
- Dimension: 65(L) x 63(H)X 12(W)mm
- Weight: 30g

### Accessories

- User manual
- QC mark
- Cr2032 lithium battery

★Perchlorate Material-special Handling May Apply.