



**GUITAR AMPLIFIER
AMPLIFICATEUR DE GUITARE
GITARRENVERSTÄRKER**

DG100-212

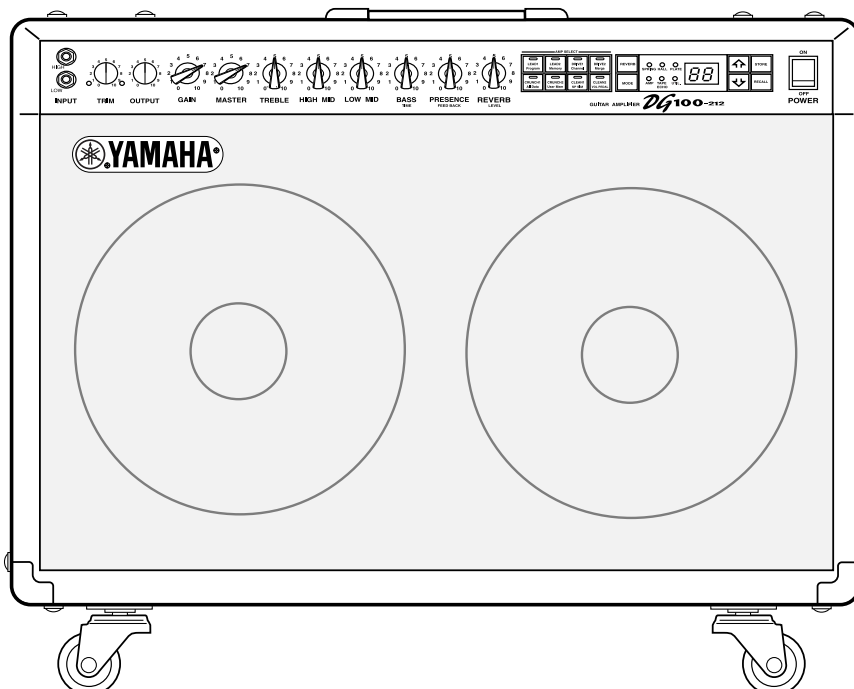
Owner's Manual
Mode d'emploi
Bedienungsanleitung

English

Français

Deutsch

MIDI
Implementation
Chart



FCC INFORMATION (U.S.A.)

1. IMPORTANT NOTICE: DO NOT MODIFY THIS UNIT!

This product, when installed as indicated in the instructions contained in this manual, meets FCC requirements. Modifications not expressly approved by Yamaha may void your authority, granted by the FCC, to use the product.

2. IMPORTANT:

When connecting this product to accessories and/or another product use only high quality shielded cables. Cable/s supplied with this product MUST be used. Follow all installation instructions. Failure to follow instructions could void your FCC authorization to use this product in the USA.

3. NOTE:

This product has been tested and found to comply with the requirements listed in FCC Regulations, Part 15 for Class "B" digital devices. Compliance with these requirements provides a reasonable level of assurance that your use of this product in a residential environment will not result in harmful interference with other electronic devices. This equipment generates/uses radio frequencies and, if not installed and used according to the instructions found in the users manual, may cause interference harmful to the operation of other electronic devices. Compliance with FCC regula-

tions does not guarantee that interference will not occur in all installations. If this product is found to be the source of interference, which can be determined by turning the unit "OFF" and "ON", please try to eliminate the problem by using one of the following measures:

Relocate either this product or the device that is being affected by the interference.

Utilize power outlets that are on different branch (circuit breaker or fuse) circuits or install AC line filter/s.

In the case of radio or TV interference, relocate/reorient the antenna. If the antenna lead-in is 300 ohm ribbon lead, change the lead-in to co-axial type cable.

If these corrective measures do not produce satisfactory results, please contact the local retailer authorized to distribute this type of product. If you can not locate the appropriate retailer, please contact Yamaha Corporation of America, Electronic Service Division, 6600 Orangethorpe Ave, Buena Park, CA90620

The above statements apply ONLY to those products distributed by Yamaha Corporation of America or its subsidiaries.

* This applies only to products distributed by YAMAHA CORPORATION OF AMERICA.

ADVARSEL!

Lithiumbatteri—Eksplosionsfare ved fejlagtig håndtering. Udskiftning må kun ske med batteri af samme fabrikat og type. Levér det brugte batteri tilbage til leverandøren.

VARNING

Explosionsfara vid felaktigt batteribyte. Använd samma batterityp eller en ekvivalent typ som rekommenderas av apparattillverkaren. Kassera använt batteri enligt fabrikantens instruktion.

VAROITUS

Paristo voi räjähtää, jos se on virheellisesti asennettu. Vaihda paristo ainoastaan laitevalmistajan suosittelemaan tyyppiin. Hävitä käytetty paristo valmistajan ohjeiden mukaisesti.

NEDERLAND / NETHERLAND

- Dit apparaat bevat een lithium batterij voor geheugen back-up.
- This apparatus contains a lithium battery for memory back-up.
- Raadpleeg uw leverancier over de verwijdering van de batterij op het moment dat u het apparaat aan het einde van de levensduur afdankt of de volgende Yamaha Service Afdeling:
Yamaha Music Nederland Service Afdeling
Kanaalweg 18-G, 3526 KL UTRECHT
Tel. 030-2828425
- For the removal of the battery at the moment of the disposal at the end of the service life please consult your retailer or Yamaha Service Center as follows:
Yamaha Music Nederland Service Center
Address : Kanaalweg 18-G, 3526 KL UTRECHT
Tel : 030-2828425
- Gooi de batterij niet weg, maar lever hem in als KCA.
- Do not throw away the battery. Instead, hand it in as small chemical waste.

IMPORTANT NOTICE FOR THE UNITED KINGDOM

Connecting the Plug and Cord

WARNING: THIS APPARATUS MUST BE EARTHED
IMPORTANT. The wires in this mains lead are coloured in accordance with the following code:

GREEN-AND-YELLOW : EARTH
BLUE : NEUTRAL
BROWN : LIVE

As the colours of the wires in the mains lead of this apparatus may not correspond with the coloured markings identifying the terminals in your plug proceed as follows:

The wire which is coloured GREEN-and-YELLOW must be connected to the terminal in the plug which is marked by the letter E or by the safety earth symbol or colored GREEN or GREEN-and-YELLOW.

The wire which is coloured BLUE must be connected to the terminal which is marked with the letter N or coloured BLACK.

The wire which is coloured BROWN must be connected to the terminal which is marked with the letter L or coloured RED.



The exclamation point within the equilateral triangle is intended to alert the user to the presence of important operating and maintenance (servicing) instructions in the literature accompanying the product.



The lightning flash with arrowhead symbol, within the equilateral triangle, is intended to alert the user to the presence of uninsulated "dangerous voltage" within the product's enclosure that may be of sufficient magnitude to constitute a risk of electrical shock.

• This applies only to products distributed by Yamaha-Kemble Music (U.K.) Ltd.

IMPORTANT SAFETY INSTRUCTIONS

INFORMATION RELATING TO PERSONAL INJURY, ELECTRICAL SHOCK, AND FIRE HAZARD POSSIBILITIES HAS BEEN INCLUDED IN THIS LIST.

WARNING- When using any electrical or electronic product, basic precautions should always be followed. These precautions include, but are not limited to, the following:

- 1.** Read all Safety Instructions, Installation Instructions, Special Message Section items, and any Assembly Instructions found in this manual BEFORE making any connections, including connection to the main supply.
- 2.** Do not attempt to service this product beyond that described in the user-maintenance instructions. All other servicing should be referred to qualified service personnel.
- 3.** **Main Power Supply Verification:** Yamaha products are manufactured specifically for the supply voltage in the area where they are to be sold. If you should move, or if any doubt exists about the supply voltage in your area, please contact your dealer for supply voltage verification and (if applicable) instructions. The required supply voltage is printed on the name plate. For name plate location, please refer to the graphic found in the Special Message Section of this manual.
- 4.** **DANGER-Grounding Instructions:** This product must be grounded and therefore has been equipped with a three pin attachment plug. If this product should malfunction, the ground pin provides a path of low resistance for electrical current, reducing the risk of electrical shock. If your wall socket will not accommodate this type plug, contact an electrician to have the outlet replaced in accordance with local electrical codes. Do NOT modify the plug or change the plug to a different type!
- 5.** **WARNING:** Do not place this product or any other objects on the power cord or place it in a position where anyone could walk on, trip over, or roll anything over power or connecting cords of any kind. The use of an extension cord is not recommended! If you must use an extension cord, the minimum wire size for a 25' cord (or less) is 18 AWG. NOTE: The smaller the AWG number, the larger the current handling capacity. For longer extension cords, consult a local electrician.
- 6.** **Ventilation:** Electronic products, unless specifically designed for enclosed installations, should be placed in locations that do not interfere with proper ventilation. If instructions for enclosed installations are not provided, it must be assumed that unobstructed ventilation is required.
- 7.** **Temperature considerations:** Electronic products should be installed in locations that do not seriously contribute to their operating temperature. Placement of this product close to heat sources such as; radiators, heat registers etc., should be avoided.
- 8.** This product was NOT designed for use in wet/damp locations and should not be used near water or exposed to rain. Examples of wet /damp locations are; near a swimming pool, spa, tub, sink, or wet basement.
- 9.** This product should be used only with the components supplied or; a cart, rack, or stand that is recommended by the manufacturer. If a cart, rack, or stand is used, please observe all safety markings and instructions that accompany the accessory product.
- 10.** The power supply cord (plug) should be disconnected from the outlet when electronic products are to be left unused for extended periods of time. Cords should also be disconnected when there is a high probability of lightening and/or electrical storm activity.
- 11.** Care should be taken that objects do not fall and liquids are not spilled into the enclosure through any openings that may exist.
- 12.** Electrical/electronic products should be serviced by a qualified service person when:
 - a. The power supply cord has been damaged; or
 - b. Objects have fallen, been inserted, or liquids have been spilled into the enclosure through openings; or
 - c. The product has been exposed to rain; or
 - d. The product does not operate, exhibits a marked change in performance; or
 - e. The product has been dropped, or the enclosure of the product has been damaged.
- 13.** This product, either alone or in combination with an amplifier and headphones or speaker/s, may be capable of producing sound levels that could cause permanent hearing loss. DO NOT operate for a long period of time at a high volume level or at a level that is uncomfortable. If you experience any hearing loss or ringing in the ears, you should consult an audiologist.

IMPORTANT: The louder the sound, the shorter the time period before damage occurs.
- 14.** Some Yamaha products may have benches and/or accessory mounting fixtures that are either supplied as a part of the product or as optional accessories. Some of these items are designed to be dealer assembled or installed. Please make sure that benches are stable and any optional fixtures (where applicable) are well secured BEFORE using. Benches supplied by Yamaha are designed for seating only. No other uses are recommended.

PLEASE KEEP THIS MANUAL

Thank you for purchasing the Yamaha DG100-212 Guitar Amplifier.

The DG100-212 Digital Guitar Amp was initially conceived and entirely developed by Yamaha. This digital guitar amp delivers powerful tube amp sounds and offers superior stability compared to other tube amplifiers. With eight different amp type settings from which to choose, the DG100-212 allows you to create a wide variety of original sounds. A total of 128 sound settings can be stored in its internal memory and freely recalled using the panel buttons or a MIDI foot controller. Also, the DG100-212 is equipped with on-board digital reverb and digital tape echo which can be utilized to add sonic color to your tonal creations. Sound is output through two 30 centimeter Celestion “Vintage 30” speakers. A speaker simulator adds realistic speaker simulation to the line out signal.

Its high level of quality and easy to use controls will enable you to create a wide variety of tonal colors. To get the best results and longest life out of your DG100-212, we recommend that you carefully read this manual, and keep it in a safe place for future reference.

<p>Precautions 5</p> <p>The Panel Controls 6</p> <p> ■ Front Panel 6</p> <p> ■ Rear Panel 7</p> <p>How to use the DG100-212 8</p> <p> ■ First, achieve sound output 8</p> <p> ■ Adjust the TRIM level 8</p> <p> ■ Sound Settings 8</p> <p> ■ Reverb Settings 8</p> <p> ■ Tape Echo Settings 8</p> <p>Store and Recall 9</p> <p> ■ Store Settings 9</p> <p> ■ Recall Memory (Recall) 9</p> <p>Easy to Use Functions 10</p> <p> ■ Using MIDI to Recall Memory 10</p> <p> ■ Using MIDI to Control Volume 10</p> <p> ■ Using MIDI to Turn ON/OFF the Reverb and Tape Echo Effects 10</p> <p> ■ Speaker Simulator 10</p>	<p>Utility Mode 11</p> <p> ■ Creating a Program Change Table 11</p> <p> ■ Set the MIDI Receive Channel 11</p> <p> ■ Set the MIDI Merge 11</p> <p> ■ MIDI Bulk Out 11</p> <p> ■ MIDI Bulk In 11</p> <p> ■ Speaker Simulator ON/OFF 11</p> <p> ■ Set the Volume Pedal Position 11</p> <p>Error Messages 12</p> <p>Specifications 12</p> <p>MIDI Implementation Chart 31</p>
---	--

Precautions

- Avoid using your amplifier in the following locations to prevent possible damage:
 - In direct sunlight or next to heating equipment.
 - Extremely cold or hot locations.
 - Locations exposed to high humidity or excessive dust.
 - Locations subject to strong shocks or vibration.
- Before making any connections, make sure that the power on the DG100-212 and any external devices is switched OFF.
- To protect the speaker from possible damage, always set the OUTPUT knob to “0” before switching the power ON/OFF.
- When connecting a speaker to this unit make sure to turn OFF the power first.
- Do not apply excessive force to the switches and controls.
- Your Yamaha guitar amplifier is a precision musical instrument. Handle it with care and avoid dropping or bumping it.
- For safety, always remove the power plug from the AC wall outlet if there is any danger of lightning striking in your area.
- Keep the amplifier away from neon signs or fluorescent lighting to prevent noise pickup.

- To prevent damage and possibly electrical shock, never open the case and tamper with the internal circuitry.
- Never use benzene, thinner or other volatile liquids for cleaning, as these chemicals may cause damage or discoloration to the finish. Always use a dry, soft cloth to wipe off dust and dirt.

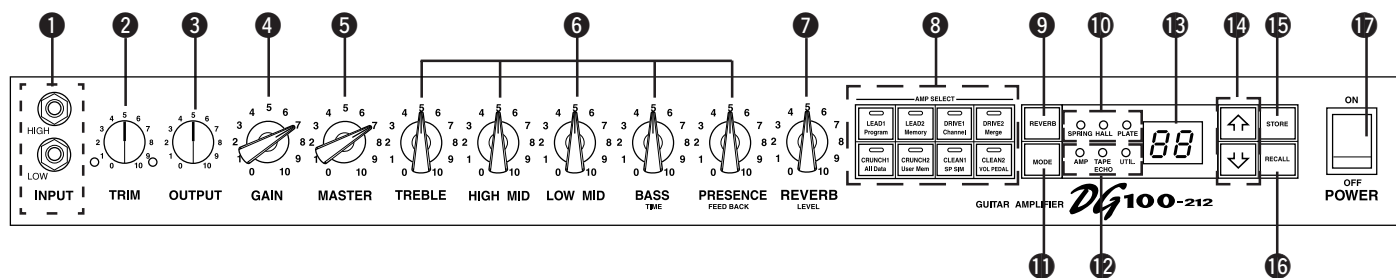
About the Backup Battery

A backup battery (lithium battery) is used to keep internal data (settings) from being lost, even when the power cord is unplugged. Internal data will be lost when battery power is depleted, so it is recommended that data be stored to an external data recorder such as the Yamaha MIDI Data Filer MDF3 (→ page. 11), or keep records of settings in memo form. The average battery life span is about 3 years. When replacement becomes necessary contact the music store where the unit was purchased, or a qualified service representative, to perform the replacement.

- Do not attempt to replace the backup battery by yourself.
- Keep the backup battery out of reach of children.
- “E5” appears in the display when the battery becomes depleted. Internal data may be lost.
- Data may be lost if the unit is improperly handled or if repairs are performed.

The Panel Controls

■ Front Panel



1 Input Jack (INPUT HIGH, LOW)

Connect the guitar to this jack. Guitars with a high output level should be connected to the LOW jack. Those with low output levels should be connected to the HIGH jack.

* Switch the power OFF before connecting the guitar.

2 Trim Control (TRIM)

Used to match the guitar's output level to the pre-amp's input level. (→ page 8.)

* TRIM level settings are not stored in memory.

3 Output Level Control (OUTPUT)

Used to control the output volume of the power amp.

Sets the amount of output of sound created by the preamp's GAIN, MASTER, Tone Controls, etc. The volume is controlled without changing the tonal quality of the amp.

* Output level settings are not stored in memory.

* Has no affect on the level (volume) of the LINE OUT 24 jack.

4 Gain Volume (GAIN)

Used to control the amount of distortion.

* Sound is not produced if the GAIN is set to 0, even when the MASTER VOLUME 5 is turned up.

5 Master Volume (MASTER)

Used to control the overall volume of GAIN and tone control settings. It also controls the output level of the preamp.

* Master level settings are stored in memory.

6 Tone Controls (TREBLE, HIGH MID, LOW MID, BASS, PRESENCE)

Used to control the levels of their respective frequencies.

When the Tape Echo Mode is engaged, the BASS and PRESENCE knobs are used to adjust the tape echo's TIME and FEEDBACK settings. (→ page 8.)

7 Reverb Volume (REVERB)

Used to control the amount of the reverb. (→ page 8.) When the Tape Echo Mode is engaged, the REVERB knob is used to adjust the tape echo's LEVEL setting. (→ page 8.)

8 Amp Select Button/Amp Select Display (LEAD 1, 2/DRIVE 1, 2/CRUNCH 1, 2/CLEAN 1, 2)

Used to select one of the eight preset amp types. The currently selected amp type is shown on the display. (→ page 8.)

When the Utility Mode is engaged, these switches are used to switch MIDI functions and the Speaker Simulator ON or OFF, etc. (→ page 11.)

* When the Amp Select button is pressed, knobs 4 – 6 return to their preset positions (GAIN and MASTER = 7, Tone Controls all = 5). The position of the REVERB knob does not change.

9 Reverb Type Select Button (REVERB)

10 Reverb Type Display Lamp (SPRING, HALL, PLATE)

Press the REVERB button to select the reverb type. The lamp corresponding to the selected reverb type will light. (→ page 8.)

11 Mode Select Button (MODE)

12 Mode Display Lamp (AMP/TAPE ECHO/UTIL.)

Displays the currently selected mode.

• AMP (Amp Mode)

Normal playing mode. All knobs and buttons on the panel function as marked. (Dual function knobs and buttons will function according to their upper indications.)

This mode is automatically engaged whenever a memory is recalled.

• TAPE ECHO (Tape Echo Mode) → page 8

The Tape Echo setting mode.

When in the Amp Mode, press the MODE button once and quickly release to enter the Tape Echo Mode.

• UTIL. (Utility Mode) → page 11

This mode is used to set MIDI functions and switch Speaker Simulation ON or OFF. When in the Amp Mode or Tape Echo Mode, press the MODE button and hold for about one second to enter the Utility Mode.

13 Display

Displays Memory Numbers, Program Change Numbers, the MIDI Channel, etc.

14 Up/Down Buttons

Increases or decreases the memory number by 1. Also, increases or decreases values by 1. In the Utility Mode increases/decreases values by 1 or sets the function ON/OFF. Values change continuously when the button is pressed and held.

15 Store Button (STORE)

Press this button to save current sound settings to internal memory. (→ page 9.) Also, used to carry out MIDI Bulk Out operations. (→ page 11.)

16 Recall Button (RECALL)

Recalls the settings stored in memory. Use the Up/Down buttons to select a memory number (01 – 128), then press the RECALL button to recall those settings from memory. (→ page 9.)

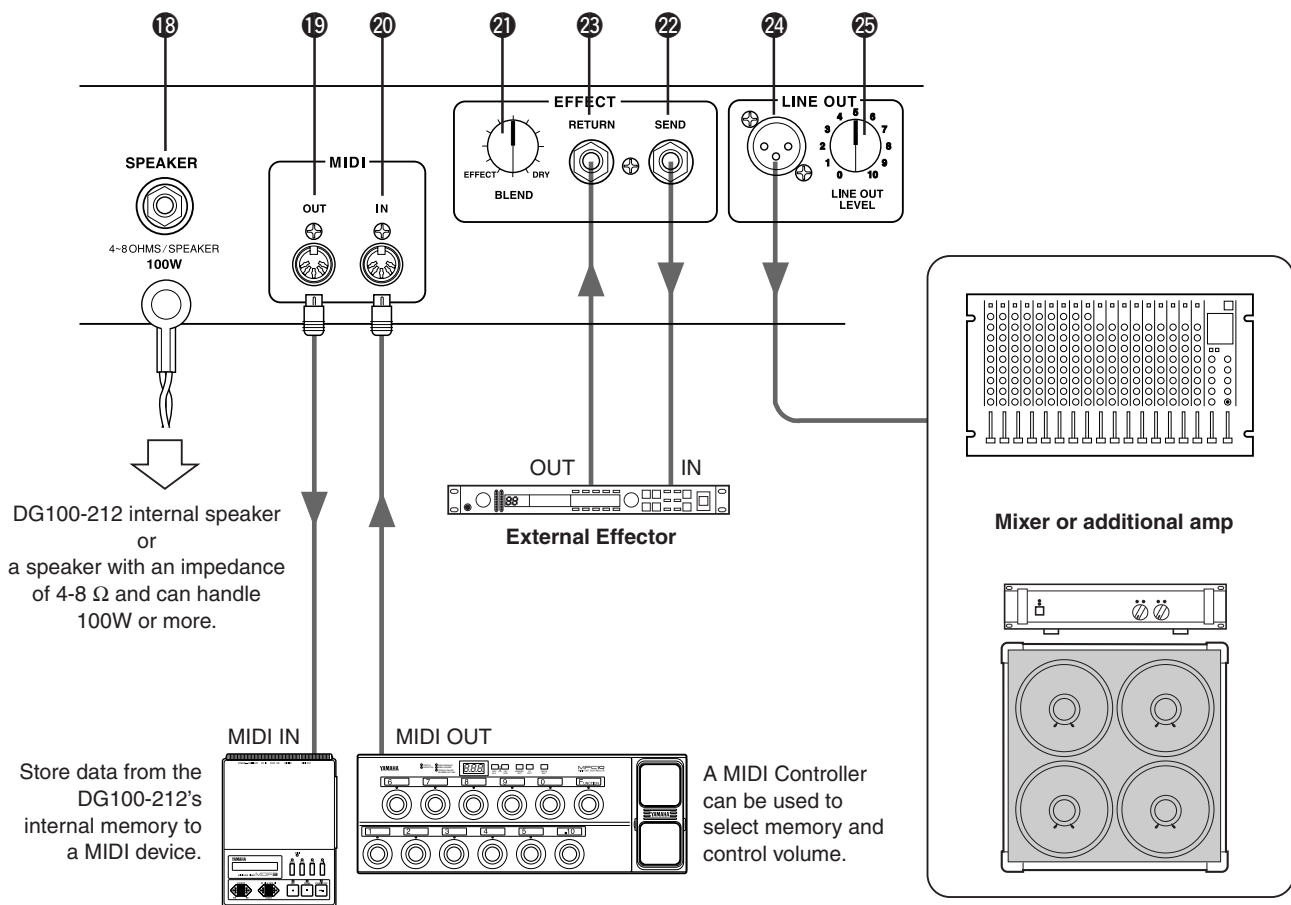
17 Power Switch (POWER)

The power switch for the DG100-212.

* To protect the speakers from possible damage, always set the OUTPUT 3 volume to "0" before turning the power ON/OFF.

■ Rear Panel

Before making any connections, make sure that the power on the DG100-212 and any external devices is switched OFF.



18 Speaker Jack (SPEAKER)

This jack connects the internal speaker to the internal amp. If necessary, you can disconnect the internal speaker and connect an external speaker to this jack.

If an external speaker is used, make sure that the speaker meets the following requirements.

- 100W or more power capacity, and an impedance of 4 – 8 Ω.

19 MIDI OUT Jack

Connect this jack to the MIDI IN jack of a device that can save MIDI data. The data stored in the DG100-212's internal memory can then be transmitted to an external MIDI device for storage. (→ page 11: MIDI Bulk Out)

Also, transmits MIDI data received by the MIDI IN jack 20, to an external device when MIDI Merge is set to ON. (→ page 11.)

20 MIDI IN Jack

Connect this jack to a MIDI Foot Controller's MIDI OUT jack, and the external foot controller can be used to control the DG100-212. Memory selection, volume control, reverb and echo ON/OFF can all be controlled via an external foot controller. (→ page 10.)

Also, memory data stored in an external storage device can be re-loaded into the DG100-212's internal memory. (→ page 11 MIDI Bulk In)

21 Effect Blend Control (EFFECT BLEND)

22 Effect Send Jack (EFFECT SEND)

23 Effect Return Jack (EFFECT RETURN)

An external effector can be inserted into the signal circuit between the SEND/RETURN jacks. This allows further processing of the tone signal, created by the main unit, by an external effector. Use the BLEND knob to control the balance level between the external effector's sound (EFFECT) and the sound created by the DG100-212 (DRY). Rotating the knob fully to the EFFECT position allows only the sound produced by the external effector to be heard. Rotating the knob fully to the DRY position allows only the internal sound created by the amp to be heard, without the added coloration of the external effector.

* Connecting a plug to the RETURN jack disconnects the internal circuit. The signal returning from the effector enters the internal circuit here, where it goes on to the power amp → speaker. When the RETURN jack is not in use, the BLEND knob will have no affect.

Also, the SEND jack can function as a pre-out jack, and the RETURN jack can function as a main-in jack.

24 Line Out Jack (LINE OUT)

25 Line Out Level Control (LINE OUT LEVEL)

The same signal that is sent to the speaker output jack 18, is also sent to the LINE OUT jack at a line level (+4dBm/600Ω). The amp also has an internal Speaker Simulator (can be switched ON/OFF → page 11.), the output level can be controlled with the LINE OUT LEVEL knob. The line signal can be sent to a mixer and can be used as an output jack to an external amp.

How to use the DG100-212

To protect the speaker from possible damage, always set the OUTPUT knob to “0” before switching the power ON/OFF.

■ First, achieve sound output

1. With the DG100-212’s power switched OFF, connect your guitar to the INPUT jack on the front panel. To start with, try using the LOW jack.
2. With the OUTPUT knob set to “0”, switch the power ON.
3. As a starting point, set the TRIM level to “5” and strum the guitar. Then, gradually raise the OUTPUT level.
4. Once you have sound output, proceed to set the TRIM level as described in the following section.

■ Adjust the TRIM level

The TRIM level allows you to set the output level of the guitar to an optimum level that matches the DG100-212’s INPUT jack. With a well adjusted TRIM level, subtle picking nuances and the attack of a strong strum can be clearly heard. An improperly adjusted trim level will result in noise, feedback, and/or a cut up sound.

* The output level between guitars does vary. Whenever you switch guitars, it will be necessary to readjust the trim level to match the guitar.

* HIGH and LOW input levels are different. Even if the same guitar is used, make sure the TRIM level is readjusted whenever a different input jack is used.

* Even when creating distortion, make sure that the TRIM level is properly adjusted, and use the GAIN control to produce distortion.

1. Set the guitar’s volume to its maximum level and powerfully strum the guitar. Begin to adjust the TRIM level. An optimum level is achieved when the Green LED is lit.
2. Continue rotating the TRIM knob to the right, so long as the Red LED does not light. Set the TRIM level to 10 if the Red LED does not light.

* If the Red LED still does not light, lower the TRIM level, connect the guitar to the HIGH input jack and repeat the previous procedure.

■ Sound Settings

Choose one of the DG100-212’s eight preset amp types, then use the GAIN+MASTER, and tone controls to shape the guitar’s sound.

1. Choose an amp type using one of the AMP SELECT buttons. The selected amp type button’s LED will light.
2. Use the GAIN, MASTER, and the five tone controls to shape the guitar’s sound.

HINT OUTPUT knob and MASTER knob

Turning either knob will change the volume. The MASTER knob controls the preamp’s master volume. This setting is stored in memory. The OUTPUT knob controls the power amp’s volume. This setting is not stored in memory. Volume levels for individual memory settings should be set with the MASTER knob. The speaker’s output level should be controlled with the OUTPUT knob.

* When an AMP SELECT button is pressed, all knobs (except TRIM, OUTPUT and REVERB) will return to their preset positions. (GAIN and MASTER = 7, all tone controls = 5. To save edited settings, refer to the “Store Settings” section on page 9.)

■ Reverb Settings

Three types of digital reverb are available in the DG100-212’s reverb section. Spring reverb, which realistically simulates the reverb found in vintage guitar amps, plate reverb, and hall reverb.

1. Press the REVERB button to select a reverb type. Each time the REVERB button is pressed, the type will cycle through SPRING → HALL → PLATE settings. The lamp for the selected reverb type will light.

2. Use the REVERB knob to adjust the amount of reverb.

* Reverb settings (type and REVERB knob settings) will remain in affect, even if the AMP SELECT button is pressed to change the amp type. When a different memory number is recalled, the reverb settings for that memory number will then be in affect.

■ Tape Echo Settings

The DG100-212’s internal digital tape echo can realistically simulate the sound of a tape type echo machine.

1. Press the **MODE** button to enter the Tape Echo setting mode, the “TAPE ECHO” display lamp will light. At this time BASS, PRESENCE and REVERB knobs will automatically reset to “0”.

* If there are previously set tape echo settings in the selected memory, the knobs will rotate to the positions set in the memory.

2. Use the BASS, PRESENCE and REVERB knobs to adjust the amount of tape echo reverb.

• BASS (TIME: Echo Time)

Sets the amount of time between the sounding of the string and the echo sound (the amount of time it takes between one echo and the next). Rotate the knob to the right to increase the amount of time.

• PRESENCE (FEEDBACK)

Sets the length of time that the echo will repeat. Rotate the knob to the right to increase the length of time. Rotating the knob too much can result in uncontrollable feedback, please use caution.

• REVERB (LEVEL: Echo Level)

Sets the echo’s volume level.

3. When the setting procedure is complete, press the **MODE** or **REVERB** button and the PLAY lamp will light.

The BASS, PRESENCE and REVERB knobs will revert to the settings that they were in prior to entering the tape echo setting mode.

* When in the Tape Echo Mode, knobs other than the BASS, PRESENCE and REVERB knobs, as well as the TRIM and OUTPUT knobs will not function.

* Tape echo settings will remain in affect, even if you press the AMP SELECT button to select another amp type. When you recall a different memory number, the tape echo settings for that memory number will then be in affect.

With the procedures on this page, you can create an original sound (settings), and along with the reverb and echo settings they can be stored in the DG100-212’s internal memory for instant recall at anytime. The procedure for storing data in memory is explained on the next page.

Store and Recall

The DG100-212's internal memory can hold up to 128 amp type and settings (GAIN, MASTER, Tone Control, Reverb and Tape Echo). Each setting (sound) can be recalled at any time. Motor drives in the knobs will automatically set the knobs to the corresponding positions. Create a sound and try storing it in memory.

■ Store Settings

1. Use the procedure on page 8 and create a sound using the eight preset amp types and control knobs on the front panel.

* Each of the Utility Mode's settings cannot be stored in individual memory. When the power is switched OFF, each memory's settings are stored in memory as common settings. When the power is turned ON, those settings are recalled.

2. Press the **MODE** button, the AMP or TAPE ECHO mode display lamp will light.

3. Using the **↑** / **↓** buttons, select a memory number to which the settings will be saved. The memory number will flash in the display.

* Press and hold either of the **↑** / **↓** buttons makes memory numbers cycle rapidly.

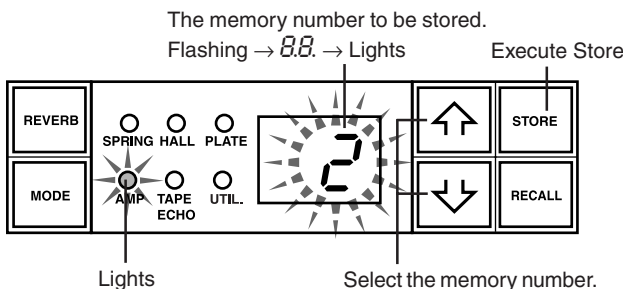
* The third digit of the memory number (100 – 128) is represented by a dot between the two digits.

Example) 128 is displayed as → 2.8

4. Press and hold the **STORE** button for about one second, until "8.8" appears on the display.

Release the button, the flashing memory number will then light indicating the setting is saved to memory.

* TRIM and OUTPUT settings cannot be stored in memory. Use the MASTER knob to set backing and soloing levels.



Data stored in memory (1 – 128) can be saved to an external MIDI storage device. Refer to page 11 for details.

HINT Some hints on storing memory numbers

When storing data to memory numbers, divide the memory numbers 1 – 128 into several groups.

Recalling memory numbers from these groups is much more convenient. For example:

- Create groups according to the amp type used (LEAD1, DRIVE 1, etc.).
- Create groups based on sound types (Distortion, Clean, etc.).
- Create groups based on live performance song lists.
- Create groups based on the type of guitar used (humbucker, etc.).

It is also a good idea to keep a chart handy listing the types of sounds are stored in memory numbers.

■ Recall Memory (Recall)

Sound settings stored in memory can easily be recalled by selecting a memory number.

When a memory is recalled, the current settings will be changed. If you want to keep the settings, use the Store operation, described on the left side of this page, to store settings to memory.

1. Press the **MODE** button, the AMP or TAPE ECHO mode display will light.

2. Use the **↑** / **↓** buttons to select the memory number you want to recall. The memory number will appear on the display (flashing).

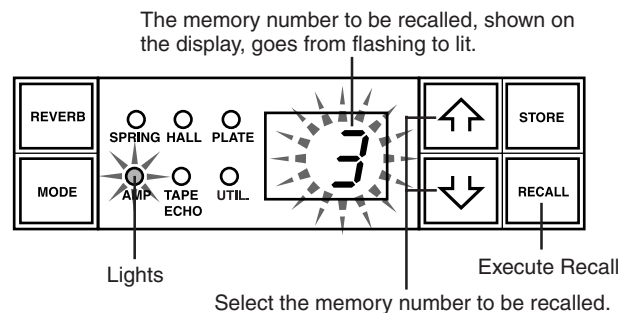
3. Press the **RECALL** button. The flashing memory number will light. Each of the knobs, and the Amp Select Display will change according to the data recalled from memory.

* Settings will not change until the **RECALL** button is pushed.

* TRIM and OUTPUT knob settings will not change with the Recall operation.

* It takes anywhere from 1 – 10 seconds for the knobs to change to their set positions however, internal settings (sound) will change instantly.

* "E 1" will appear on the display if the volume knob does not go to its assigned position, or the device does not recognize the recall command after 20 seconds has elapsed from the start of the recall operation. Continued use of the device in this condition may result in fire or electrical shock. Take the unit to the music dealer where you purchased it, or to the nearest Yamaha Service Center for repair.



A MIDI foot controller or other external MIDI device can be used to select and recall memory. Refer to the following page to page 10 for details.

Initialize the memory

Use the following operation to restore all of the internal memory (No. 1 – 128) settings to their original factory set condition (GAIN and MASTER = 7, all tone controls = 5). Any data that has been previously saved to memory will be lost so, please use caution.

[Operation]

While holding both the **LEAD 1** button and the **RECALL** button, switch the power ON.

Easy to Use Functions

Using MIDI commands you can select memory numbers on the DG100-212, turn ON/OFF the reverb and tape echo effects, and control volume. A speaker simulator can also be applied to the line out signal.

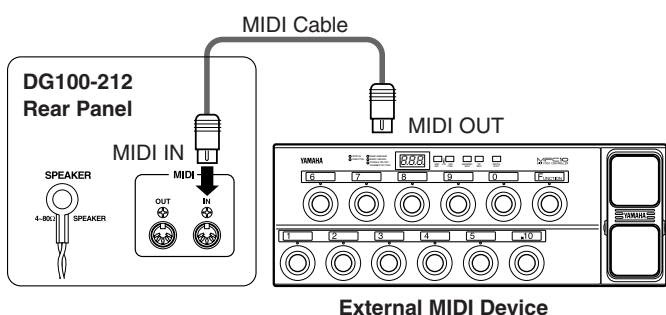
What is MIDI? MIDI is the acronym for Musical Instruments Digital Interface. MIDI is a world-wide standard communication interface that allows MIDI compatible musical instruments, computers and other MIDI devices to share musical information and control one another regardless of instrument type or maker.

■ Using MIDI to Recall Memory

Program changes sent from a Yamaha MIDI Foot Controller MFC10, etc., or an external MIDI device can be used to recall settings in the DG100-212's memory.

1. With a MIDI cable, connect the DG100-212's MIDI IN jack to the MIDI OUT jack on an external MIDI device.

* Use only a standard MIDI cable that is less than 15 meters in length. Use of a longer cable may result in abnormal operation.



2. Set the DG100-212's MIDI receive channel and the MIDI transmit channel on the external device to the same MIDI channel number (the factory preset channel number is 1).

→ For setting instructions see page 11 "Set the MIDI Receive Channel".

3. Create a program change table*1. (The factory preset is, program change number = memory number).

→ For setting instructions see page 11 "Creating a Program Change Table".

*1 For example, "the received program change number 1, recalls the DG100-212's memory number 5". To achieve this, the received program change number must be assigned to the corresponding memory number.

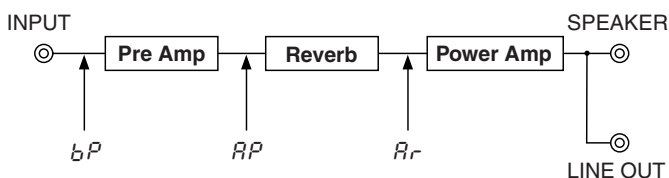
4. When program memory data is transmitted from an external MIDI device, data in the corresponding memory assigned to the program change table will be recalled.

* For instructions on how to transmit program change data, check the owner's manual of the external MIDI device you are using.

■ Using MIDI to Control Volume

You can control the DG100-212's overall volume from an external MIDI device using a number 7 control change message (main volume) sent from the MIDI OUT jack of an external MIDI device to the DG100-212's MIDI IN jack. By connecting a Yamaha MIDI Foot Controller MFC10, etc., or a MIDI device equipped with a foot pedal, you can use the foot pedal to control the volume during performance. Using the following three positions, you can select the control position as to where the volume is changed.

- "bP": Before Pre Amp. Controls the volume before the preamp.
- "AP": After Pre Amp. Controls the volume after the preamp.
- "Ar": After REVERB: Controls the volume after the reverb.



1. Using procedures 1. and 2. in the previous "MIDI Memory Recall" section, connect the external MIDI device and set the MIDI receive channel.

2. Next, select the volume control position.

→ For instructions on the setting procedure, refer to page 11 "Set the Volume Pedal Position".

3. In this condition, number 7 control change data transmitted from an external MIDI device will now control the DG100-212's volume.

* The DG100-212 does not except MIDI control changes other than numbers 7, 91 and 94.

* For more information on transmitting control data, refer to your external MIDI device's owner's manual.

* Even if another memory number is selected, main volume data will not change.

* When the power is switched ON, main volume data is set to its maximum level.

* After the main volume data is changed, and the external MIDI device is disconnected, the volume level may be insufficient. In this case, transmit the volume change again or, turn the power OFF and then ON again.

■ Using MIDI to Turn ON/OFF the Reverb and Tape Echo Effects

You can turn ON/OFF the DG100-212's REVERB effect from an external MIDI device using a number 91 MIDI control change message sent from the MIDI OUT jack of an external MIDI device to the DG100-212's MIDI IN jack. In the same manner, a number 94 MIDI control change sent to the DG100-212 will turn ON/OFF the DG100-212's Tape Echo effect.

1. Using procedures 1. and 2. in the previous "MIDI Memory Recall" section, connect the external MIDI device and set the MIDI receive channel.

2. In this condition, number 91 or 94 control change data transmitted from an external MIDI device will now turn ON/OFF the DG100-212's Reverb and/or Tape Echo.

* Regarding the DG100-212's control change settings. A received control change equal to or greater than 64 will result in an "ON" setting. Less than or equal to 63 will result in an "OFF" setting. However, settings on the transmission side device should be set to 127 for "ON" and 0 for "OFF".

* For more information on transmitting control data, refer to your external MIDI device's owner's manual.

■ Speaker Simulator

The DG100-212's speaker simulator provides the line signal with a realistic simulation of the natural sound of a speaker. The speaker simulator can be used on the line signal when the LINE OUT jack is connected to a mixer or recorder.

→ For setting instructions, refer to the "Speaker Simulator ON/OFF" section in this manual.

Utility Mode

The Utility Mode is used to perform MIDI settings, set the speaker simulator and volume pedal position settings. To enter the Utility Mode, press and hold the **[MODE]** button for more than one second, the "UTIL." mode display lamp will light. Each of the settings will be stored in memory, even when the power to the amp is turned off. To exit from the Utility Mode, press the **[MODE]** button, the "AMP" (amp mode) display lamp will light.

* *MIDI messages cannot be received when in the Utility Mode so, refer to the "MIDI Memory Recall", "MIDI Volume Control", "MIDI Reverb Echo ON/OFF" and "MIDI Bulk In" sections in this manual to perform the corresponding MIDI operations.*

■ Creating a Program Change Table

With this procedure, a specific memory number in the DG100-212's internal memory can be recalled with a program change number received from an external MIDI device.

* *Factory Preset: Program Change Number = Memory Number.*

1. Press and hold the **[MODE]** button for more than one second. The "UTIL." mode display lamp will light. (Utility Mode)
2. Press the **[LEAD 1]** button.
3. Using the **[↑]** / **[↓]** buttons, select the program change number (1 - 28) that will be sent by the external device. The number will appear on the display.
4. Press the **[LEAD 2]** button.
5. Using the **[↑]** / **[↓]** buttons, select the memory number (1 - 28) to be recalled from the DG100-212's internal memory. The number will appear on the display.
6. Depending upon your particular needs, repeat steps 2 through 5 as needed.

■ Set the MIDI Receive Channel

Set the DG100-212's MIDI receive channel.

* *To transmit and receive MIDI data between MIDI devices, the MIDI channel on both devices must be the same or data will not be successfully transferred. (The factory preset is channel 1.)*

1. Press and hold the **[MODE]** button for more than one second. The "UTIL." mode display will light. (Utility Mode)
2. Press the **[DRIVE 1]** button. The currently set MIDI receive channel will appear on the display.
3. Use the **[↑]** / **[↓]** button to select a MIDI receive channel (1 - 16, R 1 1, OF).

* *With the "R 1 1" setting omni is set to on.*

■ Set the MIDI Merge

If you want the MIDI signal received by the DG100-212's MIDI IN jack to be transmitted on to other MIDI devices via the DG100-212's MIDI OUT jack, set the MIDI Merge to "ON" (ON). If you don't want the data to be transmitted, set to "OFF" (OFF).

1. Press and hold the **[MODE]** button for more than one second. The "UTIL." mode display will light.
2. Press the **[DRIVE 2]** button. The currently set MIDI merge setting will appear in the display.
3. Use the **[↑]** / **[↓]** button to select either "ON" or "OFF".

■ MIDI Bulk Out

You can back up the data stored in the DG100-212's internal memory by saving the data to an external MIDI storage device (Yamaha MDF3, etc.).

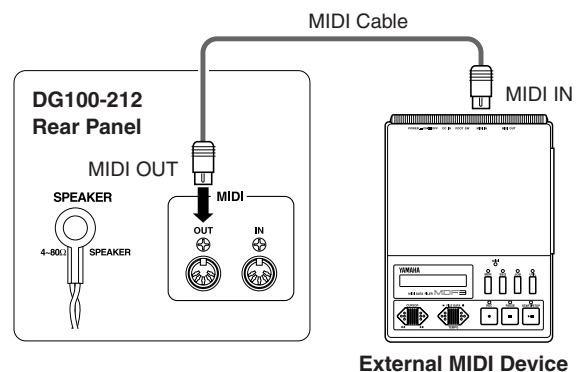
1. With a MIDI cable, connect the DG100-212's MIDI OUT jack to the MIDI IN jack on the external MIDI storage device.
2. Press the **[MODE]** button for more than one second. The "UTIL." mode display lamp will light.
3. To transmit all memory (128 memory, plus Utility setting data) with the Bulk Out operation:
 - Press the **[CRUNCH 1]** button. "R 1 1" will appear in the display.
 To transmit a single memory:
 - Press the **[CRUNCH 2]** button. Use the **[↑]** / **[↓]** button to select the

memory number (1 - 128, R 1 1) that you want to save with the Bulk Out operation.

* *When "R 1 1" is selected in the Bulk Out operation, all memory data (128 memory) will be transmitted.*

4. Press the **[STORE]** button to execute the Bulk Out operation. Press the **[MODE]** button to cancel the operation.

* *The device number is the same as that of the MIDI receive channel. If the MIDI receive channel is set to "R 1 1" (Omni ON) the device number will be 1.*



■ MIDI Bulk In

With a MIDI cable, connect the DG100-212's MIDI IN jack to the MIDI OUT jack on an external MIDI device. Return your MIDI back up data to the DG100-212.

* *The MIDI Bulk In operation is carried out in the AMP or TAPE ECHO modes only. It can not be carried out in the Utility Mode.*

* *The device number is the same as that of the MIDI receive channel. If the MIDI receive channel is set to "R 1 1" (Omni On), the MIDI channel will be set to 1. The DG100-212 will not receive data if the MIDI channel is set to "OF" (OFF).*

* *"L 0" is shown on the display while the MIDI Bulk In operation is being executed.*

■ Speaker Simulator ON/OFF

The DG100-212's speaker simulator provides the line signal with a realistic simulation of the natural sound of a speaker. The speaker simulator can be used on the line signal when the LINE OUT jack is connected to a mixer or recorder.

1. Press the **[MODE]** button for more than 1 second. The "UTIL." mode display lamp will light.
2. Press the **[CLEAN 1]** button. The current setting will be shown on the display.
3. Use the **[↑]** / **[↓]** buttons to select either "ON" or "OFF" (ON/OFF).

■ Set the Volume Pedal Position

Set the position for where control of the volume, via MIDI, will take place. (Refer to the "Using MIDI to Control Volume" section on page 10 for more information on Volume Pedal Position.)

1. Press the **[MODE]** button for more than 1 second. The "UTIL." mode display lamp will light.
2. Press the **[CLEAN 2]** button. The current setting will be shown on the display.
3. Use the **[↑]** / **[↓]** buttons to select the volume control position (b P, R P, R r).

Error Messages

If an error occurs during operation, one of the following error message numbers will appear on the display.

E 1: Motor Drive Error

CAUSE: The volume knob has not returned to its assigned position after 20 seconds has elapsed from the start of the recall operation or, the device does not recognize the recall command.

SOLUTION: Turn off the power and return the device to the music dealer where you purchased it, or to the nearest Yamaha Service Center for repair.

E 2: MIDI Receive Buffer Full

CAUSE: Too much MIDI data is being received by the DG100-212 at one time.

SOLUTION: Try reducing the amount of data being sent or, break the data into smaller blocks.

E 3: Communication Error.

CAUSE: An abnormality is detected during MIDI communications.

SOLUTION: Check all connections, etc. and try again.

E 4: Bulk Receive Check Sum Error.

CAUSE: The check sum does not match the received MIDI bulk data.

SOLUTION: Check all connections and data, and try again.

E 5: Bulk Receive Data Abnormality.

CAUSE: An abnormality is detected in the received MIDI bulk data.

SOLUTION: Check all connections and data, and try again.

E 6: Backup Battery Error.

CAUSE: Backup battery power is depleted.

SOLUTION: Continued use of the device will result in the loss of data. Return the device to the music dealer where you purchased it or, the nearest Yamaha Service center and have the battery replaced.

Specifications

Digital Section

Complete Digital Signal Processing
Internal 8 Channel Preset
Digital Reverb (SPRING, HALL, PLATE)
Digital Tape Echo
Speaker Simulator (LINE OUT)

Analog Section

100W Solid State Power Amp
30 cm Speaker (Celestion Vintage 30) x 2

MIDI Function



Receive : Program change, Control Change (No. 7, 91, 94), Bulk In

Transmit : Bulk Out, Merge Out

Controller/Switch

Front Panel : TRIM, OUTPUT, GAIN, MASTER, TREBLE, HIGH MID, LOW MID, BASS (TIME), PRESENCE (FEED BACK), REVERB (LEVEL)

Rear Panel : LINE OUT volume, EFFECT BLEND

Switch : AMP SELECT (LEAD1, LEAD2, DRIVE1, DRIVE2, CRUNCH1, CRUNCH2, CLEAN1, CLEAN2), REVERB, MODE, , , STORE, RECALL

Display

AMP SELECT display LED x 8
MODE display LED x 3
REVERB type display x 3
7 segment LED x 2 digits

Indicator

Trim Level Display LED (Green)
Trim Clip Display LED (Red)

Connection Jacks

INPUT HIGH/LOW, SPEAKER, EFFECT SEND/RETURN:
Standard Phone Mono Jack
LINE OUT: Cannon Jack
MIDI IN, MIDI OUT: 5 pin DIN

A/D Converter 20 bit

D/A Converter 20 bit

Sampling Frequency 48 kHz

Memory Number 128

Input Level/Impedance

INPUT HIGH: -30dBm (THRU)/1MΩ

INPUT LOW: -20dBm (THRU)/1MΩ

EFFECT RETURN: 0dBm/120kΩ

Output Level/Impedance

SPEAKER: 100W RMS/4Ω

LINE OUT: +4dBm/600Ω

EFFECT SEND: 0dBm/120kΩ

Power Requirements

U.S. and Canadian models : 120V, 60Hz

General model : 230V, 50Hz

Power Consumption 100W

Dimensions (w/Caster) 712 (W) x 574 (H) x 284 (D) mm
28" (W) x 22.6" (H) x 11.2" (D)

Weight 33.5 kg (73 lbs 13 oz)

* Specifications and design may change without notice.

AMPLIFICATEUR DE GUITARE

DG100-212

Mode d'emploi

Nous vous remercions d'avoir choisi l'amplificateur de guitare Yamaha DG100-212.

L'amplificateur de guitare numérique DG100-212 a été, depuis sa conception initiale, entièrement développé par Yamaha. Cet amplificateur de guitare numérique délivre des sons tout aussi puissants que ceux des amplificateurs à lampe tout en procurant une stabilité de fonctionnement supérieure quand on vient à le comparer à d'autres amplificateurs à lampe. Avec un choix de huit différentes sortes de réglages d'amplification, le DG100-212 vous permet de créer une grande variété de sons originaux. Au total, 128 paramètres de réglage sonores peuvent être sauvegardés dans ses mémoires internes et être rappelés à volonté avec les boutons du panneau de commande ou à partir d'un contrôleur à pédale MIDI. Par ailleurs, le DG100-212 est équipé de la réverbération numérique et de l'écho de bande numérique intégrés, fonctions qui peuvent être utilisées pour rajouter une coloration acoustique à votre composition musicale. Le son est délivré par l'intermédiaire de deux haut-parleurs de 30 centimètres Celestion "Vintage 30". Un simulateur de haut-parleur rajoute une simulation de son de haut-parleur tout à fait réaliste au signal de sortie de ligne.

Son très haut niveau de qualité associé à une extraordinaire facilité d'utilisation de ses commandes vous permettront de créer une grande variété de couleurs tonales. Pour avoir la certitude d'obtenir les meilleurs résultats possibles et assurer à votre DG100-212 une longévité optimale, nous vous recommandons de lire attentivement ce mode d'emploi et par ailleurs, de le conserver dans un endroit sûr à des fins de consultation ultérieure.

<p>Précautions d'usage 14</p> <p>Commandes en façade 15</p> <ul style="list-style-type: none"> ■ Façade 15 ■ Face arrière 16 <p>Comment utiliser le DG100-212 17</p> <ul style="list-style-type: none"> ■ Commandez tout d'abord la sortie son 17 ■ Réglez le niveau TRIM 17 ■ Paramètres de réglage de son 17 ■ Réglages de réverbération 17 ■ Réglages d'écho de bande 17 <p>Sauvegarde et rappel des données 18</p> <ul style="list-style-type: none"> ■ Sauvegarde des paramètres de réglage 18 ■ Rappel de mémoire 18 <p>Fonctions faciles à utiliser 19</p> <ul style="list-style-type: none"> ■ Utilisation de MIDI pour rappeler les données d'une mémoire 19 ■ Utilisation de MIDI pour contrôler le volume 19 ■ Utilisation de MIDI pour activer ou désactiver les effets produits par la réverbération et l'écho de bande 19 ■ Simulateur de haut-parleur 19 	<p>Mode utilitaire 20</p> <ul style="list-style-type: none"> ■ Création d'un tableau de changement de programme .. 20 ■ Introduction du canal de réception MIDI 20 ■ Réglage de la fusion MIDI 20 ■ Sortie de grande capacité MIDI 20 ■ Entrée de grande capacité MIDI 20 ■ Activation ou désactivation du simulateur de haut-parleur 20 ■ Introduction de la position de contrôle par pédale du volume 20 <p>Messages d'erreur 21</p> <p>Fiche technique 21</p> <p>Table d'implémentation 31</p>
---	--

Précautions d'usage

- Pour éviter tout risque d'endommagement de votre amplificateur, évitez de vous en servir dans les endroits mentionnés ci-dessous :
 - En plein soleil ou près d'un appareil de chauffage.
 - Dans les lieux à température extrême, basse comme élevée.
 - Dans les lieux à très forte humidité ou excessivement poussiéreux.
 - Dans les lieux soumis à des chocs violents ou de fortes vibrations.
- Avant d'effectuer le moindre branchement, vérifiez que l'alimentation du DG100-212 et de tous les appareils extérieurs est bien coupée.
- Par mesure de précaution et de façon à ne pas endommager les haut-parleurs, positionnez toujours le potentiomètre de réglage de niveau de sortie OUTPUT sur "0" avant de mettre l'appareil sous tension ou de l'arrêter.
- N'oubliez pas de couper l'alimentation de l'amplificateur au préalable avant de raccorder un haut-parleur.
- Ne forcez jamais sur les commutateurs et les commandes de réglage.
- Votre amplificateur de guitare Yamaha est un instrument musical de haute précision. Vous devez le manipuler délicatement et surtout éviter de le buter voire de le laisser tomber par terre.
- Par mesure de sécurité, premez toujours la précaution de débrancher la prise d'alimentation secteur de la prise murale utilisée pour l'alimentation si la foudre risque de tomber dans la région où vous utilisez votre instrument.
- Éloignez l'amplificateur des enseignes lumineuses au néon ou des dispositifs d'éclairage à lampes fluorescentes afin de ne pas recueillir de parasites.

- Pour éviter tout risque d'endommagement voire d'électrocution, n'ouvrez jamais le coffret ni ne modifiez les circuits internes.
- N'utilisez jamais de benzène, diluant chimique ou autres produits volatiles pour effectuer l'entretien de l'appareil car ceci aurait pour effet de l'endommager voire de provoquer une décoloration de la finition extérieure. L'accumulation de poussière et les taches doivent être retirées de l'appareil avec un morceau d'étoffe sec et souple.

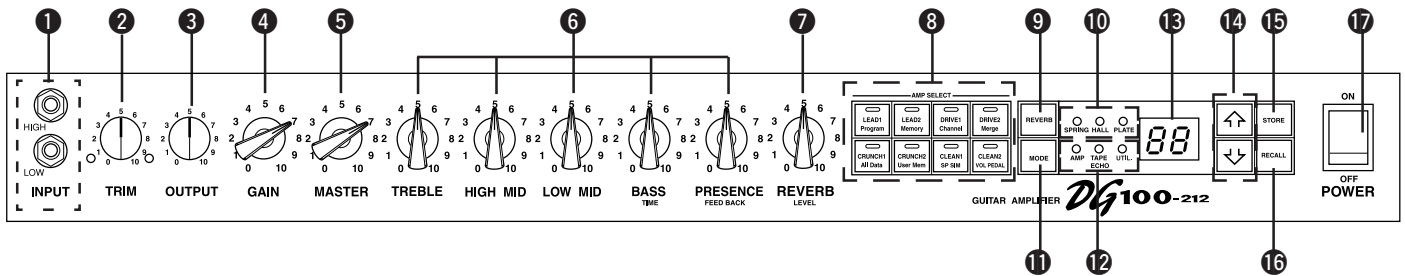
À propos de la pile d'alimentation auxiliaire de la mémoire

Une pile d'alimentation auxiliaire de mémoire (pile au lithium) est utilisée pour empêcher que les données internes (les paramètres de réglage) ne soient perdues même lorsque le cordon d'alimentation est débranché. Cependant, ces données internes risquant d'être définitivement perdues si la pile venait à s'épuiser, nous vous recommandons de sauvegarder vos données sur un support d'enregistrement externe tel que le MIDI Data Filer MDF3 (→ page 20) ou de conserver vos données sous la forme d'un registre personnel de notes. L'autonomie moyenne de la pile est égale à environ 3 ans. Dès qu'il est nécessaire de la remplacer, prenez contact avec le magasin d'instruments de musique où vous avez fait l'achat de l'instrument ou prenez conseil auprès d'un technicien qualifié pour effectuer ce type de remplacement.

- *N'essayez pas de remplacer la pile d'alimentation auxiliaire de mémoire par vous-même.*
- *Ne laissez pas la pile d'alimentation auxiliaire de mémoire à la portée des enfants.*
- *Lorsque la pile est épuisée, le message "E5" apparaît dans l'écran d'affichage. Il y a alors risque de perte définitive des données.*
- *Les données peuvent être perdues à la suite d'une mauvaise manipulation de cet appareil ou si des réparations inappropriées sont effectuées.*

Commandes en façade

■ Façade



❶ Mini-prise d'entrée (INPUT HIGH, LOW)

Raccordez la guitare à cette mini-prise. Les guitares à hauts niveaux de sortie doivent être raccordées à la mini-prise LOW. Les guitares à niveaux de sortie réduits doivent être raccordées à la mini-prise HIGH.

* Placer l'interrupteur d'alimentation en position OFF avant de brancher la guitare.

❷ Commande d'ajustement (TRIM)

Assure la correspondance de niveau de sortie de la guitare avec le niveau d'entrée du préamplificateur. (→ page 17.)

* Les réglages effectués avec le potentiomètre de niveau TRIM ne sont pas sauvegardés dans la mémoire.

❸ Potentiomètre de réglage de niveau de sortie (OUTPUT)

Il sert à ajuster le niveau de sortie de l'amplificateur de puissance. Détermine le niveau de sortie son produit par les potentiomètres de réglage GAIN, MASTER et de tonalité, etc., du préamplificateur. Le réglage de niveau de sortie est ajusté sans modifier la qualité acoustique de l'amplificateur.

* Les réglages de niveau de sortie ne sont pas sauvegardés en mémoire.

* Ce potentiomètre de réglage n'a aucun effet sur le niveau de la prise LINE OUT 24.

❹ Potentiomètre de réglage de volume de gain (GAIN)

Ajuste la valeur de distorsion.

* Aucun son n'est délivré si le potentiomètre de réglage de GAIN est placé sur 0 même si le réglage du potentiomètre de réglage MASTER VOLUME ❺ est augmenté.

❺ Potentiomètre de réglage de volume général (MASTER)

Sert à ajuster le volume général du réglage de GAIN et des potentiomètres de réglage de tonalité. Il ajuste également le niveau de sortie du préamplificateur.

* Les réglages de volume général sont sauvegardés en mémoire.

❻ Potentiomètres de réglage de tonalité (TREBLE, HIGH MID, LOW MID, BASS, PRESENCE)

Servent à ajuster les niveaux de leurs fréquences respectives.

Lorsque le mode d'écho de bande est appliqué, les potentiomètres de réglage BASS et PRESENCE permettent d'effectuer les réglages TIME et FEEDBACK de la fonction d'écho de bande. (→ page 17.)

❼ Potentiomètre de réglage de volume de réverbération (REVERB)

Sert à ajuster le pourcentage de réverbération. (→ page 17.) Lorsque le mode d'écho de bande est appliqué, le potentiomètre de réglage REVERB permet d'effectuer le réglage LEVEL de la fonction d'écho de bande. (→ page 17.)

❽ Boutons de sélection d'amplificateur / affichage de sélection d'amplificateur (LEAD 1, 2/DRIVE 1, 2/CRUNCH 1, 2/CLEAN 1, 2)

Servent à la sélection d'un des huit types d'amplificateurs pré-réglés. L'afficheur fait apparaître le type d'amplificateur qui est actuellement sélectionné. (→ page 17.)

Lorsque le mode utilitaire est appliqué, ces boutons de sélection servent de commutateurs de commande des fonctions MIDI et de mise en service ou hors service du simulateur de haut-parleur, etc. (→ page 20.)

* Si vous appuyez sur le bouton de sélection d'amplificateur, les potentiomètres de réglage ❹ à ❻ sont ramenés sur leur position pré-réglée d'origine (GAIN et MASTER = 7, tous les potentiomètres de réglage de tonalité = 5). Le réglage du potentiomètre de réglage REVERB ne change pas.

❾ Bouton de sélection de type de réverbération (REVERB)

❿ Lampe-témoin d'affichage de type de réverbération (SPRING, HALL, PLATE)

Enfoncez le bouton [REVERB] pour choisir le type de réverbération que vous désirez obtenir. La lampe-témoin qui correspond au type de réverbération qui a été choisi s'allume. (→ page 17.)

⓫ Bouton de sélection de mode (MODE)

⓬ Lampe-témoin d'affichage de mode (AMP/TAPE ECHO/UTIL.)

Indique le mode qui est actuellement sélectionné.

• AMP (mode d'amplificateur)

Il s'agit du mode de reproduction normal. Tous les potentiomètres de réglage et les boutons remplissent la fonction qui est indiquée sur la façade. (Les potentiomètres de réglage et les boutons à double fonction réagiront en fonction de leurs indications supérieures.)

Ce mode est automatiquement appliqué dès que des données en mémoire sont rappelées.

• TAPE ECHO (mode d'écho de bande) → page 17

Mode de réglage d'écho de bande.

À partir du mode d'amplificateur, enfoncez une seule fois le bouton [MODE] et relâchez-le rapidement de manière à passer en mode d'écho de bande.

• UTIL. (mode utilitaire) → page 20

Ce mode est utilisé pour effectuer les réglages des fonctions MIDI et pour la mise en service ou hors service du simulateur de haut-parleur. Lorsque vous êtes en mode amplificateur ou en mode d'écho de bande, enfoncez le bouton [MODE] et immobilisez-le en position basse pendant au moins une seconde de manière à pouvoir passer en mode utilitaire.

⓭ Afficheur

Affiche les numéros de mémoire, les numéros de changement de programme, le canal MIDI utilisé, etc.

⓮ Boutons [↑]/[↓]

Commandent la progression ou la régression d'une unité à la fois du numéro de mémoire. Commandent également la progression ou la régression des valeurs d'une unité à la fois. En mode utilitaire, elles commandent la progression ou la régression des valeurs d'une unité à la fois ou appliquent la mise en service ou la mise hors service des fonctions. Le changement des valeurs changent en continu lorsque le bouton commandé est maintenu enfoncé.

⓯ Bouton de sauvegarde (STORE)

Enfoncez ce bouton pour sauvegarder les réglages de sons actuels dans la mémoire interne. (→ page 18.) Par ailleurs, ce bouton est également utilisé pour effectuer les opérations de sortie de grande capacité MIDI. (→ page 20.)

⓰ Bouton de rappel (RECALL)

Rappelle les réglages conervés en mémoire. Utilisez les boutons [↑]/[↓] pour choisir un numéro de mémoire (01 – 128) et appuyez sur le bouton [RECALL] de manière à rappeler ces réglages de la mémoire. (→ page 18.)

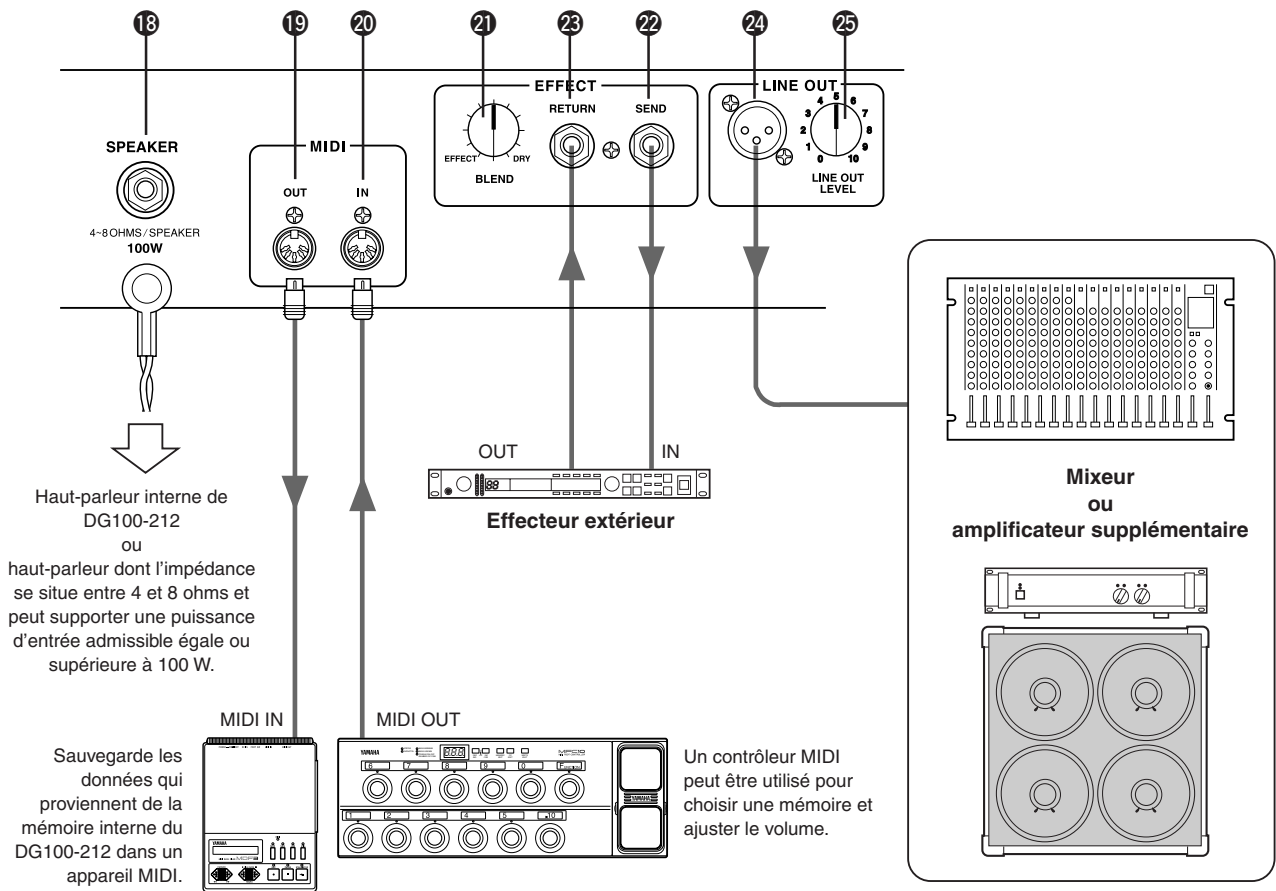
⓱ Interrupteur d'alimentation (POWER)

Il s'agit de l'interrupteur d'alimentation du DG100-212.

* Par mesure de précaution et de façon à ne pas endommager les haut-parleurs, positionnez toujours le potentiomètre de réglage de niveau de sortie OUTPUT ❸ sur "0" avant de mettre l'appareil sous tension ou de l'arrêter.

■ Face arrière

Avant d'effectuer le moindre branchement, vérifiez que l'alimentation du DG100-212 et de tous les appareils extérieurs est bien coupée.



18 Mini-prise de haut-parleur (SPEAKER)

Cette mini-prise permet de relier le haut-parleur interne à l'amplificateur interne. Au besoin, vous pouvez isoler le haut-parleur interne et raccorder un haut-parleur extérieur à cette mini-prise.

Si vous raccordez un haut-parleur extérieur, prenez la précaution de vérifier qu'il est adapté aux conditions d'utilisation suivantes.

* Puissance d'entrée admissible égale ou supérieure à 100 W et impédance située entre 4 et 8 ohms.

19 Mini-prise de sortie MIDI OUT

La raccorder à la mini-prise MIDI d'un appareil capable de sauvegarder des données MIDI. Les données sauvegardées dans la mémoire interne du DG100-212 peuvent ensuite être transmises à un appareil MIDI externe à des fins de stockage. (→ page 20 : sortie de grande capacité MIDI)

Transmet également les données MIDI qui sont reçues par la mini-prise MIDI IN 20 à destination d'un appareil externe lorsque la fusion MIDI est réglée en mode actif. (→ page 20.)

20 Mini-prise d'entrée MIDI IN

Raccordez cette mini-prise à la mini-prise MIDI OUT d'un contrôleur à pédale MIDI pour qu'un contrôleur à pédale externe puisse être utilisé pour commander la mémoire du DG100-212. La sélection de mémoire, le réglage de niveau de sortie, l'activation ou la désactivation des fonctions de réverbération et d'écho peuvent également être commandées à partir d'un contrôleur à pédale externe. (→ page 19.)

Par ailleurs, les données stockées dans la mémoire d'un appareil externe peuvent être rechargées dans la mémoire interne du DG100-212. (→ page 20 : chargement de grande capacité MIDI)

21 Commande de mélangeur d'effet (EFFECT BLEND)

22 Mini-prise de transmission d'effet (EFFECT SEND)

23 Mini-prise de retour d'effet (EFFECT RETURN)

Il est possible d'insérer un effecteur externe dans le circuit de signal entre les mini-prises SEND/RETURN. Ceci permet de pouvoir traiter le signal de tonalité créé par l'appareil principal à l'aide de l'effecteur externe. Utilisez le potentiomètre de réglage BLEND pour équilibrer le son de l'effecteur externe (EFFECT) et le son créé par le DG100-212 (DRY). Une rotation maximum du potentiomètre de réglage vers la position EFFECT permet d'entendre uniquement le son produit par l'effecteur externe. Une rotation maximum du potentiomètre de réglage vers la position DRY permet d'entendre uniquement le son produit par l'amplificateur sans que la coloration produite par l'effecteur externe y soit ajoutée.

* Quand une fiche est introduite dans la mini-prise RETURN, une interruption du circuit interne est autorisée. Le signal qui revient de l'effecteur externe est injecté dans le circuit interne à ce niveau pour ensuite être dirigé sur l'amplificateur de puissance puis le haut-parleur. Le potentiomètre de réglage BLEND n'a aucun effet lorsque la mini-prise RETURN n'est pas utilisée.

Par ailleurs, la mini-prise SEND peut également servir de mini-prise de sortie préamplificateur et la mini-prise RETURN de mini-prise d'entrée amplificateur.

24 Mini-prise de sortie de ligne (LINE OUT)

25 Potentiomètre de réglage de niveau de sortie de ligne (LINE OUT LEVEL)

Le même signal que celui qui est transmis à la mini-prise de sortie haut-parleur 18 est également transmis à la mini-prise LINE OUT au niveau ligne (+4 dBm/600 ohms). L'amplificateur possède aussi un simulateur de haut-parleur interne (qui peut être activé ou désactivé → page 20.) tandis que le niveau de sortie peut être ajusté avec le potentiomètre de réglage LINE OUT LEVEL. Le signal de ligne peut être transmis à un mélangeur et peut être utilisé comme mini-prise de sortie à destination d'un amplificateur externe.

Comment utiliser le DG100-212

Par mesure de précaution et de façon à ne pas endommager les haut-parleurs, positionnez toujours le potentiomètre de réglage de niveau de sortie OUTPUT sur "0" avant de mettre l'appareil sous tension ou de l'arrêter.

■ Commandez tout d'abord la sortie son

1. Alors que l'interrupteur d'alimentation du DG100-212 est en position d'arrêt, branchez votre guitare dans la mini-prise INPUT visible en façade. Pour commencer, essayez d'utiliser la mini-prise LOW.
2. Alors que le potentiomètre de réglage OUTPUT est placé en position "0", mettez maintenant sous tension.
3. Réglez tout d'abord le niveau TRIM sur "5" et grattez les cordes de la guitare. Ensuite, augmentez progressivement le niveau OUTPUT.
4. Dès que vous obtenez un niveau de sortie son normal, réglez le niveau TRIM en procédant de la façon indiquée dans les descriptions qui suivent.

■ Réglez le niveau TRIM

Le niveau TRIM vous permet de régler le niveau de sortie de la guitare afin d'obtenir un niveau optimum et adapté à la mini-prise INPUT du DG100-212. Lorsque le réglage du niveau TRIM est réalisé correctement, les nuances de pincement les plus subtiles et les fortes attaques des cordes peuvent être très nettement reproduites. Un niveau TRIM n'étant pas réglé correctement peut se traduire en son parasité, en effet Larsen et/ou tout simplement par aucun son.

* Le niveau de sortie varie d'une guitare à l'autre. Si vous utilisez une guitare différente, vous aurez à réajuster le niveau TRIM pour l'adapter à cette guitare.

* Les niveaux d'entrée HIGH et LOW sont différents. Même si vous utilisez la même guitare, assurez-vous que le niveau TRIM a été réajusté si une mini-prise différente est utilisée.

* Même pour créer une distorsion, assurez-vous que le niveau TRIM est ajusté correctement et utilisez le potentiomètre de réglage GAIN pour créer la distorsion.

1. Réglez le volume de la guitare sur sa puissance maximum et grattez fortement les cordes de la guitare. Commencez à ajuster le niveau TRIM. Le niveau optimum est atteint lorsque la diode électroluminescente verte s'allume.
2. Continuez à tourner le potentiomètre de réglage TRIM vers la droite aussi longtemps que la diode électroluminescente rouge ne s'allume pas. Réglez le niveau TRIM sur 10 si la diode électroluminescente rouge ne s'allume pas.

* Si la diode électroluminescente rouge ne s'allume toujours pas, réduisez le niveau TRIM, raccordez la guitare à la mini-prise d'entrée HIGH et refaites les réglages qui sont mentionnés ci-dessus.

■ Paramètres de réglage de son

Choisissez l'un des huit types d'amplificateur pré-réglés du DG100-212 et utilisez les potentiomètres de réglage GAIN et MASTER ainsi que les potentiomètres de réglage de tonalité pour modeler le son de la guitare.

1. Choisissez un type d'amplificateur avec l'un des boutons AMP SELECT. La diode électroluminescente du bouton de type d'amplificateur sélectionné s'allume.
2. Utilisez les potentiomètres de réglage GAIN, MASTER ainsi que les cinq potentiomètres de réglage de tonalité pour modeler le son de la guitare.

CONSEIL Bouton OUTPUT et bouton MASTER

Toute manipulation de l'un ou de l'autre bouton permet de faire varier le volume. Le bouton MASTER agit sur le volume général du préamplificateur. Ce réglage est conservé en mémoire. Le bouton OUTPUT agit sur le volume de l'amplificateur de puissance. Ce réglage n'est pas conservé en mémoire. Les réglages de volume pour chacun des réglages individuels de mémoire doivent être exécutés avec le bouton MASTER. Le niveau de sortie des haut-parleurs doit être ajusté avec le bouton OUTPUT.

* Si vous appuyez sur l'un des boutons AMP SELECT, tous les potentiomètres de réglage (sauf TRIM, OUTPUT et REVERB) sont ramenés sur leur position pré-réglée d'origine. (GAIN et MASTER = 7, tous les potentiomètres de réglage de tonalité = 5. Pour sauvegarder les réglages qui ont été modifiés, veuillez vous reporter à la description intitulée "Sauvegarde des réglages" de la page 18.)

■ Réglages de réverbération

La section réverbération du DG100-212 dispose de trois types de réverbération numérique. La réverbération Ressort qui est très réaliste et reproduit le fond de réverbération des amplificateurs de guitare de cru, la réverbération de plaque et la réverbération salle de concert.

1. Appuyez sur le bouton REVERB pour choisir un type de réverbération. À chaque fois que le bouton REVERB est enfoncé, une sélection de type cyclique se déroulera parmi les réglages SPRING → HALL → PLATE. La lampe-témoin du type de réverbération sélectionné s'allume.
2. Le pourcentage de réverbération est ajusté à l'aide du potentiomètre de réglage REVERB.

* Les réglages de réverbération (les réglages de type et du potentiomètre de réglage REVERB) continueront à être appliqués même si vous appuyez sur un bouton AMP SELECT avec l'intention de changer de type d'amplificateur. Si toutefois un numéro de mémoire différent est rappelé, les réglages de réverbération affectés à ce numéro de mémoire seront immédiatement mis en application.

■ Réglages d'écho de bande

La fonction d'écho de bande numérique interne du DG100-212 est capable de simuler de façon très réaliste les effets produits par une machine à écho à bande.

1. Appuyez sur le bouton **MODE** pour passer en mode de réglage d'écho de bande, la lampe-témoin d'affichage "TAPE ECHO" s'allumant en témoignage. Dès que ceci a lieu, les réglages des potentiomètres de réglage BASS, PRESENCE et REVERB sont automatiquement ramenés sur la valeur "0".

* S'il existe des réglages antérieurs d'écho de bande dans la mémoire sélectionnée, les potentiomètres de réglage opéreront une rotation pour se placer sur les positions correspondant aux positions réglées en mémoire.

2. Utilisez les potentiomètres de réglage BASS, PRESENCE et REVERB pour ajuster le pourcentage de réverbération d'écho de bande.

• BASS (TIME : durée d'écho)

Permet d'ajuster la durée entre le moment où la corde retentit et où l'écho est produit (la durée nécessaire qu'il faut entre un écho produit et le suivant). Tournez le potentiomètre de réglage vers la droite pour prolonger la durée.

• PRESENCE (EFFET DE LARSEN)

Permet de régler la durée de répétition de l'écho. Tournez le potentiomètre de réglage vers la droite pour prolonger la durée. Faites très attention car une rotation excessive du potentiomètre de réglage peut se traduire par une perte de contrôle de l'effet de Larsen qui se manifeste alors.

• REVERB (LEVEL : niveau d'écho)

Ajuste la valeur de volume de l'écho.

3. Lorsque la procédure de réglage est complètement terminée, appuyez sur le bouton **MODE** ou sur le bouton **REVERB** pour que la lampe-témoin PLAY s'allume. Les réglages des potentiomètres de réglage BASS, PRESENCE et REVERB reviennent sur la valeur de réglage sur laquelle ils se trouvaient auparavant avant de passer en mode de réglage d'écho de bande.

* Lorsque le mode d'écho de bande est appliqué, les potentiomètres de réglage autres que BASS, PRESENCE et REVERB ainsi que TRIM et OUTPUT n'auront aucun effet.

* Les réglages d'écho de bande resteront en vigueur même si vous appuyez sur le bouton AMP SELECT avec l'intention de choisir un autre type d'amplificateur. Si toutefois un numéro de mémoire différent est rappelé, les réglages d'écho de bande affectés à ce numéro de mémoire seront immédiatement mis en application.

Grâce à la façon de procéder qui est indiquée dans cette page, vous pouvez créer vos propres sons originaux (par des réglages) et les sauvegarder dans la mémoire interne du DG100-212 en même temps que les réglages de réverbération et d'écho de bande, ce qui vous permet de les rappeler à volonté et instantanément. La façon dont les données peuvent être sauvegardées en mémoire est décrite à la page suivante.

Sauvegarde et rappel des données

La mémoire interne du DG100-212 est capable de conserver jusqu'à 128 types d'amplificateur et de réglages (GAIN, MASTER, réglage de tonalité, réverbération et écho de bande). Chacun des réglages (son) peut être rappelé à volonté et à tout moment. Les micro-moteurs de commande des potentiomètres de réglage permettent de régler automatiquement les potentiomètres sur les positions correspondant aux choix qui sont faits. Créer un son et essayez de le sauvegarder dans une mémoire.

■ Sauvegarde des paramètres de réglage

1. Procédez de la façon indiquée à la page 17 et créer un son en utilisant les huit types d'amplificateur préréglés et les potentiomètres de réglage implantés en façade.

* Il est impossible de sauvegarder individuellement les réglages du mode utilitaire dans les mémoires. Lorsque l'alimentation de l'appareil est coupée, chacun des réglages de mémoire est sauvegardé en mémoire sous la forme de réglages communs. Ces réglages sont systématiquement rappelés lorsque l'appareil est remis sous tension.

2. Appuyez sur le bouton [MODE], ceci a pour effet d'allumer la lampe-témoin AMP ou TAPE ECHO de l'afficheur.

3. Utilisez les boutons [↑] / [↓] pour sélectionner le numéro de mémoire sous lequel les paramètres de réglage doivent être sauvegardés. Le numéro de mémoire clignotera dans l'afficheur.

* Appuyez et immobilisez l'un des boutons [↑] / [↓] en position basse pour faire défiler rapidement les numéros de mémoire.

* Le troisième chiffre du numéro de mémoire (de 100 à 128) est indiqué à l'aide d'un point inséré entre les deux autres chiffres.

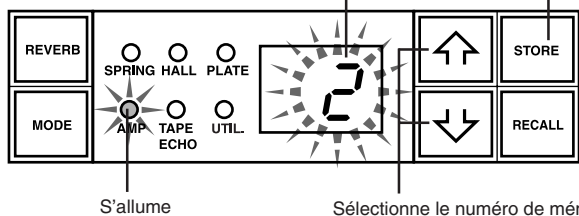
Exemple) 128 est affiché sous la forme suivante → 2.8

4. Appuyez et immobilisez le bouton [STORE] en position basse pendant une seconde environ jusqu'à ce que "8.8" apparaisse dans l'afficheur.

Relâchez le bouton pour que le numéro de mémoire qui clignotait reste allumé, preuve que le paramètre de réglage est sauvegardé en mémoire.

* Les paramètres de réglage TRIM et OUTPUT ne peuvent pas être sauvegardés en mémoire. Utilisez le potentiomètre de réglage MASTER pour ajuster les niveaux de fond sonore et de solo.

Numéro de mémoire sous lequel sauvegarder.
Clignote → 8.8 → Reste allumé Exécute la sauvegarde



Les données sauvegardés dans les mémoires (1 – 128) peuvent être sauvegardées dans un appareil de sauvegarde MIDI externe. Reportez-vous à la page 20 pour obtenir de plus amples détails à ce sujet.

CONSEIL Voici quelques conseils sur la façon de sauvegarder des données aux numéros de mémoire

Lorsque vous sauvegardez des données à des numéros de mémoire, séparez les numéros de mémoire 1 à 128 en plusieurs groupes.

Il est plus pratique de rappeler les numéros de mémoire à partir de ces groupes. Par exemple :

- Créez des groupes en fonction du type d'amplificateur utilisé (LEAD1, DRIVE1, etc.).
- Créez des groupes basés sur les types de son (Distorsion, Clean, etc.).
- Créez des groupes basés sur les listes des morceaux joués en public.
- Créez des groupes basés sur le type de guitare utilisée (à bobinage antirouille, etc.).

C'est aussi une bonne idée de conserver un tableau récapitulatif mentionnant sous forme de liste les types de sons qui sont sauvegardés aux numéros de mémoire.

■ Rappel de mémoire

Les paramètres de réglage de son qui sont sauvegardés dans les mémoires peuvent être facilement rappelés en choisissant tout simplement un numéro de mémoire.

Dès que le contenu d'une mémoire est rappelé, les réglages qui sont actuellement utilisés seront modifiés en conséquence. Cependant, si vous désirez conserver ces réglages, procédez de la façon indiquée à la rubrique Sauvegarde qui apparaît dans la partie gauche de cette page pour sauvegarder les réglages dans les mémoires.

1. Appuyez sur le bouton [MODE], ceci a pour effet d'allumer la lampe-témoin AMP ou TAPE ECHO de l'afficheur.

2. Utilisez les boutons [↑] / [↓] pour sélectionner le numéro de mémoire dont vous désirez rappeler le contenu. Le numéro de mémoire apparaîtra dans l'afficheur (en clignotant).

3. Appuyez sur le bouton [RECALL]. Le numéro de mémoire qui clignotait reste alors allumé. Le réglage de chacun des potentiomètres de réglage ainsi que l'afficheur Amp Select changera en fonction des données rappelées de la mémoire.

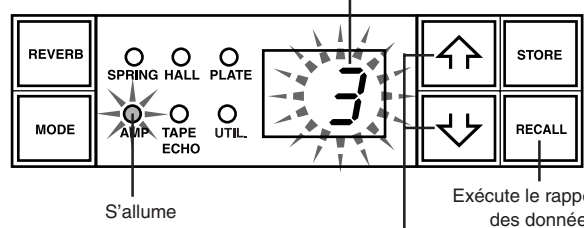
* Les réglages ne changeront pas avant que le bouton [RECALL] ne soit enfoncé.

* Les paramètres de réglage affectés aux potentiomètres TRIM et OUTPUT ne changeront pas lors de l'exécution de l'opération de rappel des données.

* Il faut entre 1 à 10 secondes pour que les paramètres de réglage des potentiomètres changent et soient placés sur les positions préréglées, cependant, il faut savoir que les paramètres internes (des sons) changent instantanément.

* Si le potentiomètre de réglage de volume ne parvient pas à la position à laquelle il est affecté ou si l'appareil ne reconnaît pas l'instruction de rappel dans un délai de 20 secondes après que l'opération de rappel ait été exécutée, "E !" apparaîtra dans l'afficheur. Le fait de persister à utiliser l'appareil dans ces conditions peut se traduire par un amorçage électrique voire provoquer une électrocution de son utilisateur. Rempportez l'appareil au magasin d'instruments de musique où vous l'avez acheté ou portez-le directement dans le service après-vente Yamaha le plus proche de votre domicile pour le faire réparer.

Le numéro de mémoire dont les données doivent être rappelées, tel qu'il apparaît dans l'afficheur, passe du clignotement à l'allumage constant.



Sélectionne le numéro de mémoire dont les données sont à rappeler.

Un contrôleur à pédale MIDI ou tout autre appareil MIDI externe peut être utilisé pour choisir et rappeler les données d'une mémoire. Reportez-vous de la page 19 à la page 20 pour obtenir de plus amples détails à ce sujet.

Initialisation de la mémoire

Procédez de la manière suivante pour ramener tous les réglages de la mémoire interne à leur état initial (no. 1 à 128) tel qu'il existait à l'origine en réglage usine (GAIN et MASTER = 7, tous les potentiomètres de réglage de tonalité = 5). Faites très attention à cette opération car toutes les données que vous aurez sauvegardées antérieurement seront perdues.

[Déroulement des opérations]

Tout en maintenant les boutons [LEAD 1] et [RECALL] enfoncés, mettez l'appareil sous tension.

Fonctions faciles à utiliser

En utilisant les instructions MIDI, vous pouvez choisir les numéros de mémoire du DG100-212, activer ou désactiver les effets de réverbération et d'écho de bande et ajuster le volume. Il est également possible d'appliquer un simulateur de haut-parleur au signal de sortie de ligne.

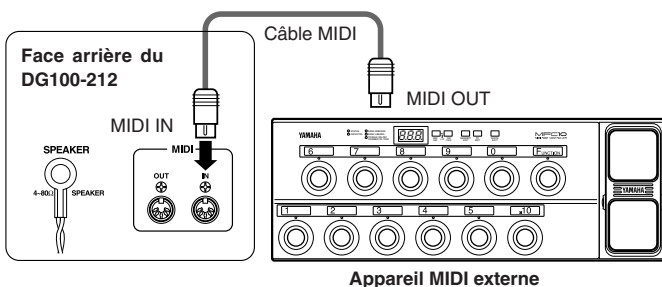
MIDI : De quoi s'agit-il ? MIDI est l'acronyme de Musical Instruments Digital Interface à savoir, l'interface numérique des instruments de musique. MIDI est une interface de communication mondiale normalisée qui permet aux instruments compatibles MIDI, aux ordinateurs et à tout autre appareil MIDI de partager des informations musicales et de se commander mutuellement quel que soit le type d'instrument ou le fabriquant.

■ Utilisation de MIDI pour rappeler les données d'une mémoire

Les messages de changement de programme qui sont transmis par un contrôleur à pédale MIDI Yamaha MFC10, etc., ou tout appareil MIDI externe peuvent être utilisés pour rappeler des réglages conservés dans la mémoire du DG100-212.

1. À l'aide d'un câble MIDI, raccordez la mini-prise MIDI IN du DG100-212 à la mini-prise MIDI OUT d'un appareil MIDI externe.

* Utilisez essentiellement un câble MIDI normalisé dont la longueur ne dépasse pas 15 mètres. En effet, l'utilisation d'un câble plus long peut se traduire par un fonctionnement anormal.



2. Réglez le canal de réception MIDI du DG100-212 et le canal de transmission MIDI de l'appareil externe sur le même numéro de canal MIDI (le préréglage d'usine de canal a été fait sur 1).

→ Reportez-vous à la page 20 en ce qui concerne les instructions de réglage intitulées "Introduction du canal de réception MIDI".

3. Créez un tableau de changement de programme *1. (Le préréglage d'usine est comme suit : numéro de changement de programme = numéro de mémoire).

→ Reportez-vous à la page 20 en ce qui concerne les instructions de réglage intitulées "Création d'un tableau de changement de programme".

*1 Par exemple, " le numéro de changement de programme 1 qui est reçu permet de rappeler les données affectées au numéro de mémoire 5 du DG100-212". Pour parvenir à ce résultat, le numéro de changement de programme reçu doit être affecté au numéro de mémoire correspondant.

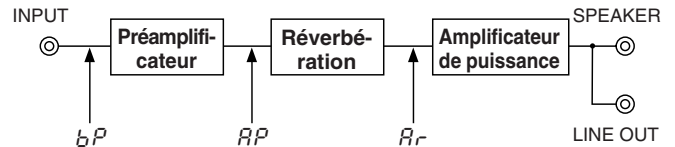
4. Lorsque des données de mémoire de programme sont transmises à partir d'un appareil MIDI externe, les données qui se trouvent dans la mémoire correspondante et affectée au tableau de changement de programme seront immédiatement rappelées.

* Vérifiez dans le mode d'emploi de l'appareil MIDI externe que vous utilisez les instructions relatives à la manière de transmettre les données de changement de programme pour savoir comment procéder.

■ Utilisation de MIDI pour contrôler le volume

Vous pouvez contrôler le volume général du DG100-212 à partir d'un appareil MIDI externe en utilisant le message de changement de commande numéro 7 (volume général) transmis par l'intermédiaire de la mini-prise MIDI OUT d'un appareil MIDI externe à destination de la mini-prise MIDI IN du DG100-212. Si vous raccordez un contrôleur à pédale MIDI Yamaha MFC10, etc., ou tout appareil MIDI externe équipé d'un contrôleur à pédale, vous pouvez utiliser le contrôleur à pédale pour contrôler le volume en parallèle à une exécution de morceau. En utilisant les trois positions indiquées ci-dessous, vous avez le loisir de choisir la position de commande quant à quel niveau le volume doit changer.

- "bP" : Avant Préamplificateur permet de contrôler le volume avant le préamplificateur.
- "AP" : Après Préamplificateur permet de contrôler le volume après le préamplificateur.
- "AR" : Après REVERB : Permet de contrôler le volume après la réverbération.



1. En effectuant les opérations telles qu'elles sont décrites aux alinéas 1. et 2. du passage précédent intitulé "Rappel des données de mémoire MIDI", raccordez l'appareil MIDI externe et sélectionnez le canal de réception MIDI.

2. Choisissez ensuite la position à partir de laquelle le volume doit être contrôlé.
→ Reportez-vous à la page 20 en ce qui concerne les instructions de réglage intitulées "Introduction de la position de la pédale de réglage de volume".

3. Quand ces conditions sont réunies, les données de changement de commande numéro 7 transmises par un appareil MIDI externe pourront dès à présent contrôler le volume du DG100-212.

* Le DG100-212 n'accepte que les messages de changement de commande MIDI numéros 7, 91 et 94.

* Pour obtenir de plus amples renseignements sur les données de commande de transmission, veuillez vous référer au mode d'emploi de l'appareil MIDI externe que vous utilisez.

* Les données de contrôle de volume général ne changeront même si un autre numéro de mémoire est sélectionné.

* Les données de contrôle de volume général sont calées sur leur valeur maximum au moment où l'appareil est mis sous tension.

* Une fois que les données de contrôle de volume général ont été modifiées et que l'appareil MIDI externe a été débranché, la valeur du volume peut s'avérer insuffisante. Dans ce cas, transmettez encore une fois les données de changement de contrôle de volume ou bien coupez l'alimentation de l'appareil et rétablissez-la.

■ Utilisation de MIDI pour activer ou désactiver les effets produits par la réverbération et l'écho de bande

Vous avez le loisir de pouvoir activer ou désactiver l'effet REVERB du DG100-212 produit par un appareil MIDI externe en utilisant le message de changement de commande MIDI numéro 91 transmis à partir de la mini-prise MIDI OUT d'un appareil MIDI externe à destination de la mini-prise MIDI IN du DG100-212. Suivant un procédé identique, vous pouvez activer ou désactiver l'effet d'écho de bande du DG100-212 en utilisant le message de changement de commande MIDI numéro 94 transmis au DG100-212.

1. En effectuant les opérations telles qu'elles sont décrites aux alinéas 1. et 2. du passage précédent intitulé "Rappel des données de mémoire MIDI", raccordez l'appareil MIDI externe et sélectionnez le canal de réception MIDI.

2. Quand ces conditions sont réunies, le message numéro 91 ou 94 de données de changement de commande transmis par l'appareil MIDI externe pourra activer ou désactiver la réverbération et / ou l'effet d'écho de bande du DG100-212.

* En ce qui concerne les réglages de changement de commande du DG100-212, un changement de commande reçu égal ou supérieur à 64 se traduira par un réglage d'activation. Toute instruction égale ou inférieure à 63 se traduira par un réglage de désactivation. Cependant, les réglages effectués sur l'appareil de transmission doivent être faits sur 127 pour assurer l'activation et sur 0 pour assurer la désactivation.

* Vérifiez dans le mode d'emploi de l'appareil MIDI externe que vous utilisez les instructions relatives à la manière de transmettre les données de commande de transmission pour savoir comment procéder.

■ Simulateur de haut-parleur

Le simulateur de haut-parleur du DG100-212 rajoute au signal de sortie de ligne une simulation de son de haut-parleur tout à fait naturel. Le simulateur de haut-parleur peut être utilisé sur le signal de sortie de ligne lorsque la mini-prise LINE OUT est raccordée à un mélangeur ou à un enregistreur.

→ Reportez-vous à la rubrique intitulée "Activation ou désactivation du simulateur de haut-parleur" du présent mode d'emploi en ce qui concerne les instructions de réglage.

Mode utilitaire

Le mode utilitaire sert à effectuer des réglages MIDI, faire les réglages du simulateur de haut-parleur et de position de pédale de contrôle de volume. Pour passer en mode utilitaire, maintenez le bouton **[MODE]** enfoncé pendant au moins une seconde. La lampe-témoin de l'afficheur de mode «UTIL.» s'allumera. Chacun des réglages sera conservé en mémoire même après avoir coupé l'alimentation de l'amplificateur. Pour quitter le mode utilitaire, il suffit d'appuyer sur le bouton **[MODE]** de telle sorte que la lampe-témoin de l'afficheur «AMP» (mode amplificateur) s'allumera.

* *Notez que les messages MIDI ne peuvent pas être reçus lorsque le mode utilitaire est appliqué, par conséquent, reportez-vous aux passages respectivement intitulés «Rappel des données de mémoire MIDI», «Contrôle de volume MIDI», «Activation ou désactivation de la réverbération ou de l'écho» et «Entrée de grande capacité MIDI» du présent mode d'emploi pour exécuter les opérations MIDI correspondantes.*

■ Création d'un tableau de changement de programme

Grâce à cette procédure, un numéro de mémoire spécifique de la mémoire interne du DG100-212 peut être rappelé avec un numéro de changement de programme tel qu'il est reçu d'un appareil MIDI externe.

* *Préréglage usine : Numéro de changement de programme = numéro de mémoire.*

1. Maintenez le bouton **[MODE]** enfoncé pendant au moins une seconde. La lampe-témoin de l'afficheur de mode «UTIL.» s'allumera. (Mode utilitaire)
2. Enfoncez le bouton **[LEAD 1]**.
3. Utilisez les boutons **[↑]** / **[↓]** pour sélectionner le numéro de changement de programme (1-28) qui doit être transmis par l'appareil MIDI externe. Le numéro apparaît dans l'afficheur.
4. Enfoncez le bouton **[LEAD 2]**.
5. Utilisez les boutons **[↑]** / **[↓]** pour sélectionner le numéro de mémoire (1-28) qui doit être rappelé de la mémoire interne du DG100-212. Le numéro de mémoire apparaît dans l'afficheur.
6. Refaites les opérations 2 à 5 mentionnées ci-dessus suivant vos besoins spécifiques.

■ Introduction du canal de réception MIDI

Ceci permet de spécifier le canal de réception MIDI du DG100-212.

* *Pour que les opérations de transmission et de réception de données MIDI puissent se dérouler entre des appareils MIDI, le canal MIDI des deux appareils doit être identique sinon les données ne seront pas transmises avec succès. (Le pré-réglage usine a été fait sur le canal 1.)*

1. Maintenez le bouton **[MODE]** enfoncé pendant au moins une seconde. La lampe-témoin de l'afficheur de mode «UTIL.» s'allumera. (Mode utilitaire)
2. Enfoncez le bouton **[DRIVE 1]**. Ceci aura pour effet de faire apparaître le canal de réception MIDI actuellement en vigueur dans l'afficheur.
3. Utilisez les boutons **[↑]** / **[↓]** pour sélectionner le canal MIDI de réception (1-16, R 11, OF).

* *Lorsque le réglage «R 11» est choisi, la valeur Omni est activée.*

■ Réglage de la fusion MIDI

Si vous voulez que le signal MIDI qui est reçu par la mini-prise MIDI IN du DG100-212 soit transmis à d'autres appareils MIDI par l'intermédiaire de la mini-prise MIDI OUT du DG100-212, réglez la fonction de fusion MIDI sur «ON» (activation). Si vous ne désirez pas que les données soient transmises, réglez la fusion sur «OF» (désactivation).

1. Maintenez le bouton **[MODE]** enfoncé pendant au moins une seconde. La lampe-témoin de l'afficheur de mode «UTIL.» s'allumera.
2. Enfoncez le bouton **[DRIVE 2]**. Ceci aura pour effet de faire apparaître le réglage de fusion MIDI actuellement en vigueur dans l'afficheur.
3. Utilisez les boutons **[↑]** / **[↓]** pour sélectionner «ON» ou «OF».

■ Sortie de grande capacité MIDI

Vous pouvez faire une copie de sauvegarde des données conservées dans la mémoire interne du DG100-212 en les sauvegardant dans un appareil de stockage de données MIDI externe (MDF3 Yamaha, etc.).

1. Utilisez un câble MIDI pour raccorder la mini-prise MIDI OUT du DG100-212 à la mini-prise MIDI IN d'un appareil de stockage MIDI externe.
2. Maintenez le bouton **[MODE]** enfoncé pendant au moins une seconde. La lampe-témoin de l'afficheur de mode «UTIL.» s'allumera.
3. Pour transmettre le contenu de toutes les mémoires (128 mémoires et les données de réglage utilitaire) en effectuant une sortie de grande capacité :
→ Enfoncez le bouton **[CRUNCH 1]**. Ceci fait apparaître «R 11» dans l'afficheur.

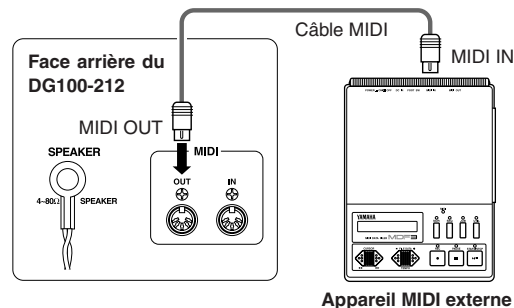
Pour transmettre le contenu d'une seule mémoire.

→ Enfoncez le bouton **[CRUNCH 2]**. Utilisez les boutons **[↑]** / **[↓]** pour sélectionner le numéro de mémoire (1-128, R 11) dans laquelle les données doivent être sauvegardées en effectuant une sortie de grande capacité.

* *Si «R 11» est sélectionné pour effectuer une sortie de grande capacité, l'ensemble des données du contenu de toutes les mémoires (128 mémoires) sera transmis.*

4. Appuyez sur le bouton **[STORE]** pour exécuter la sortie de grande capacité. Appuyez sur le bouton **[MODE]** pour annuler cette opération.

* *Le numéro d'appareil est identique au numéro de canal de réception MIDI. Si le canal de réception MIDI est réglé sur «R 11» (activation de Omni), le numéro d'appareil sera réglé sur 1.*



■ Entrée de grande capacité MIDI

Utilisez un câble MIDI pour raccorder la mini-prise MIDI IN du DG100-212 à la mini-prise MIDI OUT d'un appareil MIDI externe. Renvoyez vos données MIDI au DG100-212.

* *L'opération d'entrée de grande capacité MIDI s'effectue uniquement à partir du mode AMP ou TAPE ECHO. Elle ne peut pas être faite à partir du mode utilitaire.*

* *Le numéro d'appareil est identique au numéro de canal de réception MIDI. Si le canal de réception MIDI est réglé sur «R 11» (activation de Omni) le canal MIDI sera réglé sur le numéro 1. Le DG100-212 sera dans l'incapacité de recevoir les données si le canal MIDI est réglé sur «OF» (désactivation).*

* *«L 3» apparaît dans l'afficheur pendant le déroulement de l'opération d'entrée de grande capacité MIDI.*

■ Activation ou désactivation du simulateur de haut-parleur

Le simulateur de haut-parleur du DG100-212 rajoute une simulation de son de haut-parleur tout à fait naturelle au signal de sortie de ligne. Le simulateur de haut-parleur peut être utilisé avec le signal de ligne à condition que la mini-prise LINE OUT soit raccordée à un mélangeur ou à un enregistreur.

1. Maintenez le bouton **[MODE]** enfoncé pendant au moins une seconde. La lampe-témoin de l'afficheur de mode «UTIL.» s'allumera.
2. Enfoncez le bouton **[CLEAN 1]**. Ceci aura pour effet de faire apparaître le réglage actuellement en vigueur dans l'afficheur.
3. Utilisez les boutons **[↑]** / **[↓]** pour sélectionner «ON» ou «OF» (activation ou désactivation).

■ Introduction de la position de contrôle par pédale du volume

Déterminez la position de contrôle du volume, par l'intermédiaire de MIDI, à partir de laquelle elle doit se produire. (Reportez-vous à la rubrique intitulée «Utilisation de MIDI pour contrôler le volume» de la page 19 pour obtenir de plus amples renseignements sur la position de la pédale de contrôle de volume.)

1. Maintenez le bouton **[MODE]** enfoncé pendant au moins une seconde. La lampe-témoin de l'afficheur de mode «UTIL.» s'allumera.
2. Enfoncez le bouton **[CLEAN 2]**. Ceci aura pour effet de faire apparaître le réglage actuellement en vigueur dans l'afficheur.
3. Utilisez les boutons **[↑]** / **[↓]** pour sélectionner la position de contrôle par pédale du volume (B P, R P, R r).

Messages d'erreur

Si une erreur se produit pendant les opérations, l'un des messages suivants apparaîtra dans l'afficheur.

É 1: Erreur d'entraînement de moteur

ORIGINE: Le potentiomètre de réglage n'est pas revenu sur sa position prédéterminée dans un délai de 20 secondes à compter du moment où la commande de retour a été faite ou bien l'appareil ne reconnaît pas l'instruction de rappel.

REMÈDE: Coupez l'alimentation et remportez l'appareil au magasin d'instruments de musique où vous l'avez acheté ou portez-le directement dans le service après-vente Yamaha le plus proche de votre domicile pour le faire réparer.

É 2: Saturation de la mémoire tampon de réception MIDI

ORIGINE: Le DG100-212 reçoit une quantité excessive de données MIDI en une seule fois.

REMÈDE: Essayez de réduire la capacité des données à transmettre ou bien divisez l'ensemble des données à transmettre en plusieurs blocs.

É 3: Erreur de communication

ORIGINE: Une anomalie est détectée pendant les communications MIDI.

REMÈDE: Vérifiez l'ensemble des connexions et les données concernées puis refaire une tentative.

É 4: Erreur du total de contrôle de réception de grande capacité

ORIGINE: Le total de contrôle ne correspond pas aux données MIDI de grande capacité reçues.

REMÈDE: Vérifiez l'ensemble des connexions et les données concernées puis refaire une tentative.

É 5: Anomalie dans les données de réception de grande capacité

ORIGINE: Une anomalie est détectée dans les données MIDI de grande capacité reçues.

REMÈDE: Vérifiez l'ensemble des connexions et les données concernées puis refaire une tentative.

É 6: Erreur de pile d'alimentation auxiliaire

ORIGINE: La pile d'alimentation auxiliaire de mémoire est totalement épuisée.

REMÈDE: Le fait de persister à utiliser l'appareil dans ces conditions peut se traduire par une perte des données. Rempportez l'appareil au magasin d'instruments de musique où vous l'avez acheté ou portez-le directement dans le service après-vente Yamaha le plus proche de votre domicile pour que la pile d'alimentation auxiliaire soit remplacée.

Fiche technique

Étage numérique

Traitement de signal numérique intégral
Préréglage interne de 8 canaux
Réverbération numérique (SPRING, HALL, PLATE)
Écho de bande numérique
Simulateur de haut-parleur (LINE OUT)

Étage analogique

Amplificateur de puissance à semi-conducteurs de 100 W
Haut-parleur de 30 cm (Celestion Vintage 30) : 2

Fonction MIDI



Réception : Changement de programme, changement de commande (no. 7, 91, 94), entrée à grande capacité

Transmission : Sortie à grande capacité, sortie fusion

Contrôleur / Commutateurs

En façade : TRIM, OUTPUT, GAIN, MASTER, TREBLE, HIGH MID, LOW MID, BASS (TIME), PRESENCE (FEEDBACK), REVERB (LEVEL)

Face arrière : Volume LINE OUT, EFFECT BLEND

Commutateurs : AMP SELECT (LEAD1, LEAD2, DRIVE1, DRIVE2, CRUNCH1, CRUNCH2, CLEAN1, CLEAN2), REVERB, MODE, , , STORE, RECALL

Afficheur

Diodes électroluminescentes d'afficheur AMP SELECT : 8
Diodes électroluminescentes d'afficheur MODE : 3
Diodes électroluminescentes de type REVERB : 3
Diodes électroluminescentes de 7 segments : 2 chiffres

Indicateur

Diode électroluminescente d'afficheur de niveau d'ajustement (vert)
Diode électroluminescente d'afficheur d'écrêtage d'ajustement (rouge)

Mini-prises de connexion

INPUT HIGH/LOW, SPEAKER, EFFECT SEND/RETURN :
Mini-prise mono de téléphone standard
LINE OUT : Mini-prise encastrée
MIDI IN, MIDI OUT : Prise DIN 6 broches

Convertisseur A-N 20 bits

Convertisseur N-A 20 bits

Fréquence d'échantillonnage 48 kHz

Nombre de mémoires 128

Niveau d'entrée / d'impédance

INPUT HIGH : - 30 dBm (THRU) / 1 Mégohms
INPUT LOW : - 20 dBm (THRU) / 1 Mégohms
EFFECT RETURN : 0 dBm / 120 k-ohms

Niveau de sortie / d'impédance

SPEAKER : 100 W efficace / 4 ohms
LINE OUT : + 4 dBm / 600 ohms
EFFECT SEND : 0 dBm / 120 k-ohms

Conditions d'alimentation

Modèles pour les États-Unis et le Canada : 120 V, 60 Hz
Modèle général : 230 V, 50 Hz

Puissance consommée 100 W

Encombrement (avec les roulettes)

712 (largeur) x 574 (hauteur) x 284 (profondeur) mm

Poids 33, 5 kg

* Sous réserve de modification des renseignements techniques et du design sans préavis.

GITARRENVERSTÄRKER

DG100-212

Bedienungsanleitung

Deutsch

Zunächst möchten wir uns bei Ihnen dafür bedanken, daß Sie sich für den Gitarrenverstärker DG100-212 von Yamaha entschieden haben.

Von seiner Grundkonzeption an war der digitale Gitarrenverstärker DG100-212 eine Yamaha-eigene Entwicklung. Der Gitarrenverstärker liefert kraftvolle Röhrenverstärker-Klänge und bietet dabei eine Stabilität, die von anderen Röhrenverstärkern nicht erzielt werden kann. Der DG100-212 wartet mit acht Verstärker-Presets auf, die Sie zur Erstellung eigener Sound-Variationen frei maßschneidern können. Insgesamt 128 solcher Klangeinstellungen können intern gespeichert und bei Bedarf über die Tasten an der Frontplatte oder per MIDI-Fuß-Controller abgerufen werden. Der DG100-212 ist darüber hinaus mit einem internen digitalen Reverb und einem digitalen Bandecho ausgestattet, mit denen Sie die klangliche Färbung Ihrer Soundkreationen bei Bedarf nuancieren können. Der Ton wird von zwei 30 cm Celestion-Lautsprechern des Typs «Vintage 30» wiedergegeben. Ein Lautsprecher-Simulator fügt dem Line-Ausgangssignal realistische Lautsprechersimulation hinzu.

Eine qualitativ hochwertige Ausführung und benutzerfreundliche Bedienelemente ermöglichen Ihnen das Arbeiten mit einer Vielzahl von Klangfärbungen. Um das Potential Ihres DG100-212 über Jahre hinweg voll ausschöpfen zu können, empfehlen wir Ihnen, diese Anleitung aufmerksam durchzulesen und dann für später anfallende Fragen gut aufzubewahren.

Vorsichtsmaßnahmen	23
Bedienelemente	24
■ Frontplatte	24
■ Rückwand	25
Gebrauch des DG100-212	26
■ Zunächst einen provisorischen Klang erzeugen	26
■ Den TRIM-Pegel einstellen	26
■ Klangeinstellungen	26
■ REVERB-Einstellungen	26
■ TAPE ECHO-Einstellungen	26
Speichern und Abrufen von Klangeinstellungen	27
■ Speichern von Klangeinstellungen	27
■ Abrufen gespeicherter Klangeinstellungen	27
Nützliche Funktionen	28
■ MIDI-gesteuerter Programmabruf	28
■ MIDI-gesteuerte Lautstärkeregelung	28
■ MIDI-gesteuertes Ein- und Ausschalten des Reverb- und des Tonbandecho-Effekts	28
■ Lautsprechersimulator	28
Utility-Modus	29
■ Einrichten einer MIDI-Programmwechselliste	29
■ Einstellen des MIDI-Empfangskanals	29
■ Einstellen der MIDI-Mischfunktion (Merge)	29
■ MIDI Bulk-Übertragung	29
■ MIDI Bulk-Empfang	29
■ Speaker Simulator ON/OFF	29
■ Einstellen des Regelpunkts für pedalgesteuerte Lautstärkeregelung	29
Fehlermeldungen	30
Technische Daten	30
Implementierungstabelle	31

Vorsichtsmaßnahmen

- Vermeiden Sie den Gebrauch des Verstärkers an folgenden Orten, um eine mögliche Beschädigung zu vermeiden:
 - In direkter Sonnenbestrahlung oder neben einem Heizkörper.
 - An extrem kalten oder heißen Orten.
 - An Orten, wo das Gerät hoher Feuchtigkeit oder übermäßiger Staubeinwirkung ausgesetzt ist.
 - An Orten, wo das Gerät starken Erschütterungen oder Vibrationen ausgesetzt ist.
- Bevor Sie irgendwelche Anschlüsse machen, sollten Sie sich stets vergewissern, daß der DG100-212 sowie alle externen Geräte AUSgeschaltet sind.
- Zum Schutz der Lautsprecher vor möglichen Schäden stellen Sie den OUTPUT-Regler auf «0», bevor Sie das Gerät ein- oder ausschalten.
- Schalten Sie das Gerät vor dem Anschluß eines Lautsprechers AUS.
- Wenden Sie beim Betätigen der Schalter und Regler nicht zu viel Kraft auf.
- Bei Ihrem Yamaha-Gitarrenverstärker handelt es sich um ein Präzisionsgerät. Behandeln Sie ihn mit entsprechender Umsicht, damit er nicht angestoßen oder durch einen Fall beschädigt wird.
- Ziehen Sie zur Sicherheit stets den Netzstecker aus der Steckdose, wenn ein Gewitter aufzieht.
- Achten Sie bei Gebrauch auf ausreichenden Abstand zu Leuchtkelektroden oder Leuchtstofflampen, um unerwünschte Rauscheinstreuungen zu vermeiden.

- Um eine Beschädigung und einen möglichen elektrischen Schlag zu vermeiden, öffnen Sie bitte niemals das Gehäuse und vermeiden ein Berühren der internen Schaltungen.
- Verwenden Sie zum Reinigen des Geräts niemals Benzin, Verdüner oder andere flüchtige Flüssigkeiten, da solche Chemikalien die Gehäuseoberfläche angreifen und verfärben können. Wischen Sie Staub und Schmutz mit einem trockenen, weichen Lappen ab.

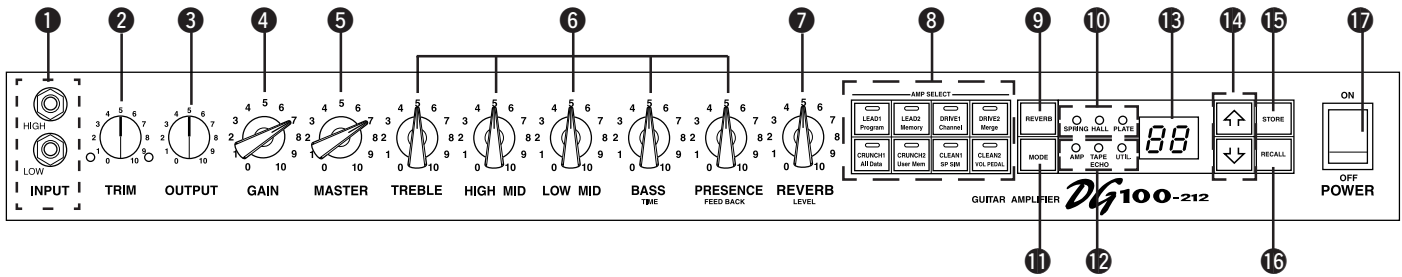
Über die Speicherschutzatterie

Eine Speicherschutzatterie (Lithiumbatterie) sorgt dafür, daß die im Gerät gespeicherten Daten (Einstellungen) beim Ziehen des Netzsteckers nicht verloren gehen. Diese internen Daten gehen jedoch verloren, wenn die Speicherschutzatterie verbraucht ist, weshalb wir Ihnen anraten, den Speicherinhalt auf ein externes Datenspeichergerät wie beispielsweise den Yamaha MIDI Data Filer MDF3 zu übertragen (→ Seite 29), oder handschriftlich festzuhalten. Die durchschnittliche Lebensdauer der Lithiumbatterie beträgt etwa 3 Jahre. Sollte ein Austausch erforderlich werden, wenden Sie sich bitte an das Musikgeschäft, in dem das Gerät erworben wurde, oder einen autorisierten Kundendienst.

- Versuchen Sie bitte nicht, die Batterie selbst auszutauschen.
- Achten Sie darauf, daß die Speicherschutzatterie nicht in Kinderhände gerät!
- Wenn die Batteriespannung bis auf einen kritischen Punkt abfällt, wird «E5» auf dem Display angezeigt. Bei einer derart schwachen Batterie können gespeicherte Daten verloren gehen.
- Datenverlust kann bei falscher Handhabung sowie auch bei Reparaturarbeiten am Gerät auftreten.

Bedienelemente

■ Frontplatte



❶ Eingangsbuchse (INPUT, HIGH/LOW)

Hier wird die Gitarre angeschlossen. Gitarren mit hohem Ausgangspegel sollten an die LOW-Buchse angeschlossen werden. Instrumente mit niedrigem Ausgangspegel sollten an die HIGH-Buchse angeschlossen werden.

* Schalten Sie das Gerät vor dem Anschließen der Gitarre aus.

❷ Trimmregler (TRIM)

Zum Anpassen des Gitarren-Ausgangspegels an den Eingangspegel des Vorverstärkers (→ Seite 26).

* TRIM-Pegeleinstellungen werden nicht gespeichert.

❸ Ausgangspegelregler (OUTPUT)

Zum Einstellen des Endstufen-Ausgangspegels.

Mit diesem Regler wird die Lautstärke des vorverstärkerseitig per GAIN- und MASTER-Regler, Klangreglern usw. vorgegebenen Tonsignals eingestellt. Die Lautstärke wird ohne Änderung des Verstärker-Klangcharakters geregelt.

* Ausgangspegelinstellungen werden nicht gespeichert.

* Der Regler hat keinen Einfluss auf den Pegel der LINE OUT-Buchsen ❷.

❹ Verstärkungsregler (GAIN)

Dient zur Regelung des Verzerrungsgrads.

* Wenn der GAIN-Regler auf «0» eingestellt ist, wird auch bei ganz aufgedrehtem MASTER-Regler ❺ kein Ton erzeugt.

❺ Lautstärkeregler (MASTER)

Zur Regelung der Gesamtlautstärke des per GAIN- und Klangregler eingestellten Tonsignals. Der Regler wirkt auch auf den Vorverstärker-Ausgangspegel.

* Gesamtlautstärkeinstellungen werden gespeichert.

❻ Klangregler (TREBLE, HIGH MID, LOW MID, BASS, PRESENCE)

Zum Einstellen des Signalpegels für den jeweiligen Frequenzbereich. Bei aktiviertem TAPE ECHO-Modus dienen der BASS- und der PRESENCE-Regler zum Einstellen des TIME- und des FEEDBACK-Werts für den Bandechoeffekt. (→ Seite 26.)

❼ Hallregler (REVERB)

Zur Einstellung der Stärke des Reverb-Effekts (→ Seite 26). Bei aktiviertem TAPE ECHO-Modus dient der REVERB-Regler zum Einstellen des LEVEL-Werts für den Bandechoeffekt. (→ Seite 26.)

❽ Verstärker-Wahltasten mit Anzeige-LEDs

(AMP SELECT – LEAD 1/2, DRIVE 1/2, CRUNCH 1/2, CLEAN 1/2)

Zum Auswählen eines der acht Verstärker-Presets. Die Anzeige-LED des gewählten Verstärkertyps leuchtet zur Bestätigung. (→ Seite 26.)

Im Utility-Modus dienen diese Tasten zum Einstellen von MIDI-Funktionen sowie zum Ein- und Ausschalten des Lautsprecher-Simulators und dgl. (→ Seite 29.)

* Beim Drücken einer der AMP SELECT-Tasten kehren die Regler ❹ bis ❻ zu Ihren Standardpositionen zurück (GAIN und MASTER = 7; alle Klangregler = 5). Die Position des REVERB-Reglers ändert sich jedoch nicht.

❾ Halltyp-Wahltaste (REVERB)

❿ Halleffekt-Anzeigelampen (SPRING, HALL, PLATE)

Mit der [REVERB]-Taste wählen Sie den gewünschten Halleffekt. Die Anzeigelampe des jeweils gewählten Effekts leuchtet zur Bestätigung. (→ Seite 26.)

⓫ Modus-Wahltaste (MODE)

⓬ Modus-Anzeigelampen (AMP, TAPE ECHO, UTIL.)

Zeigen den aktuellen Modus an.

• AMP (Verstärker)

Dies ist der normale Spielmodus. Die Tasten und Regler an der Frontplatte haben in diesem Modus die aufgedruckten Funktionen. (Bei Reglern und Tasten, die mit zwei Funktionen gekennzeichnet sind, ist die obere Funktion aktiv.)

Beim Abrufen eines gespeicherten Programms wird automatisch dieser Modus vorgegeben.

• TAPE ECHO (Tonbandecho) → Seite 26

Die ist der Einstellmodus für die TAPE ECHO-Funktion.

Zum Aufrufen dieses Modus tippen Sie die [MODE]-Taste im AMP-Modus einmal kurz an.

• UTIL. (Utility) → Seite 29

Dieser Modus dient zum Einstellen von MIDI-Funktionen und zum Ein-/Ausschalten der Lautsprecher-Simulation. Zum Aufrufen dieses Modus halten Sie die [MODE]-Taste im AMP- bzw. TAPE ECHO-Modus etwa eine Sekunde lang gedrückt.

⓭ Display

Zeigt Speicherplatz-, Programmwechsel-, MIDI-Kanalnummern u. dgl. an.

⓮ ↑/↓-Tasten

Zum Erhöhen/Erniedrigen der Speicherplatznummer um 1. Dienen außerdem zum Erhöhen/Erniedrigen von Werten um 1. Im Utility-Modus dienen die Tasten zum Erhöhen/Erniedrigen von Werten um 1 sowie zum Ein-/Ausschalten von Funktionen. Bei gedrückt gehaltener Taste ändert sich der angezeigte Wert übergangslos.

⓯ Speichertaste (STORE)

Zum Sicherstellen der aktuellen Klangeinstellung im internen Programmspeicher (→ Seite 27). Dient außerdem zum Ausführen von MIDI Bulk Dump-Vorgängen (→ Seite 29).

⓰ Abrufttaste (RECALL)

Zum Abrufen gespeicherter Programme. Hierzu wählen Sie zunächst mit den ↑/↓-Tasten die Nummer des betreffenden Speicherplatzes (01 bis 128) und drücken dann die [RECALL]-Taste, um die Einstellungen des gespeicherten Programms wieder aufzurufen (→ Seite 27).

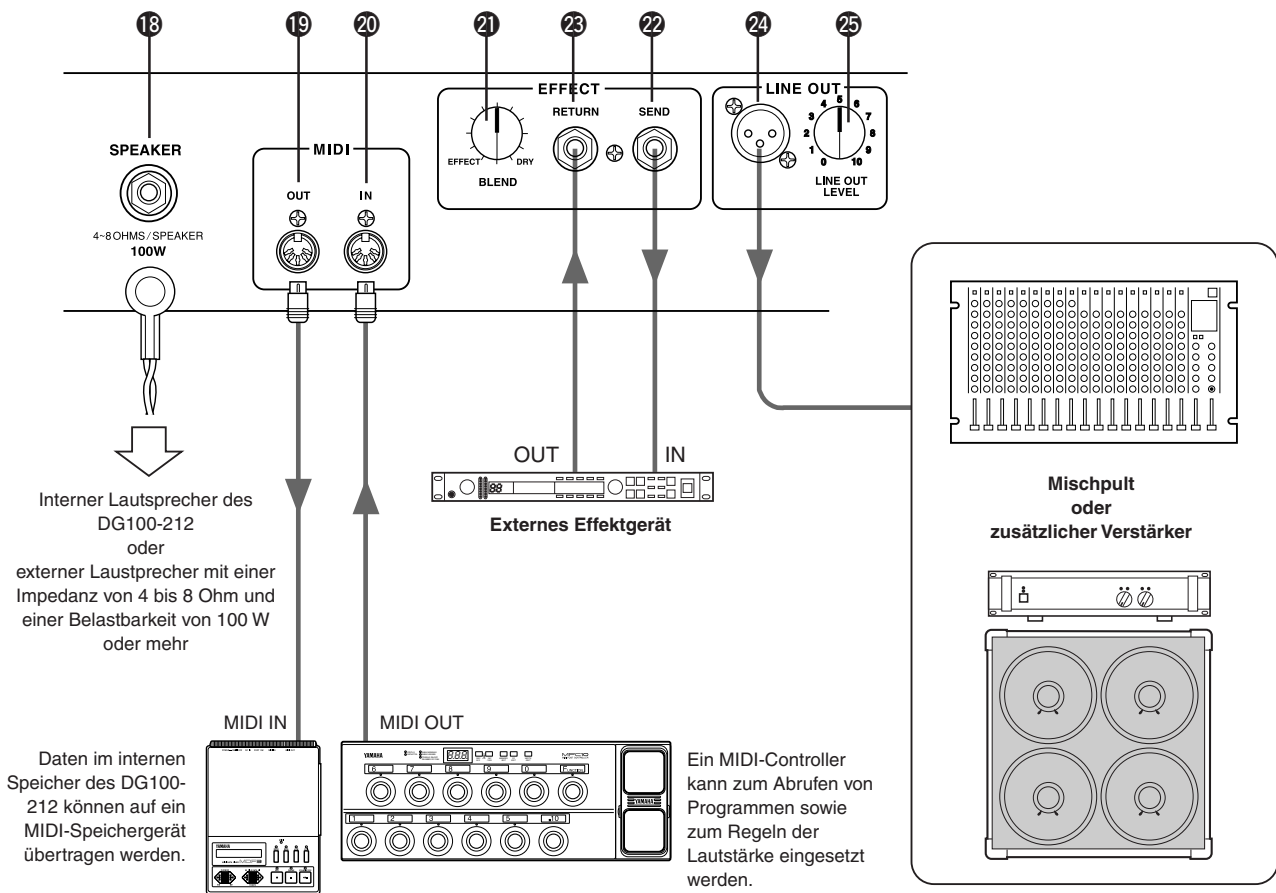
⓱ Netzschalter (POWER)

Zum Ein- und Ausschalten des DG100-212.

* Zum Schutz der Lautsprecher vor möglichen Schäden stellen Sie den OUTPUT-Regler ❸ auf «0», bevor Sie das Gerät ein- oder ausschalten.

■ Rückwand

Bevor Sie irgendwelche Anschlüsse machen, sollten Sie sich stets vergewissern, daß der DG100-212 sowie alle externen Geräte AUSgeschaltet sind.



18 Lautsprecherbuchse (SPEAKER)

Der eingebaute Lautsprecher ist über diese Buchse mit dem internen Verstärker verbunden. Bei Bedarf können Sie den internen Lautsprecher abklemmen und einen externen Lautsprecher an diese Buchse anschließen.

Wenn ein externer Lautsprecher verwendet wird, muß dieser die folgenden Anforderungen erfüllen:

- **Belastbarkeit von 100 W oder mehr, Impedanz von 4 bis 8 Ohm.**

19 MIDI-Ausgangsbuchse (MIDI OUT)

Diese Buchse können Sie mit der MIDI IN-Buchse eines Geräts verbinden, das sich zum Speichern von MIDI-Daten eignet. Auf diese Weise haben Sie die Möglichkeit, die im DG100-212 gespeicherten Daten auf dem externen Gerät (MIDI Data Filer usw.) sicherzustellen (→ Seite 29, MIDI Bulk-Übertragung).

Die Buchse kann auch verwendet werden, um bei aktivierter MIDI-Mischfunktion die über MIDI IN 20 empfangenen Daten an ein externes Gerät weiterzuleiten (→ Seite 29).

20 MIDI-Eingangsbuchse (MIDI IN)

Wenn Sie diese Buchse mit der MIDI OUT-Buchse eines MIDI Foot Controllers verbinden, können Sie diesen zum «Fernbedienen» des DG100-212 verwenden. Fernbedienbare Funktionen sind Speicherplatzauswahl, Lautstärke sowie Ein- und Ausschalten des Reverbs oder Echos (→ Seite 28).

Über diese Buchse haben Sie außerdem die Möglichkeit, auf einem externen MIDI-Speichergerät abgelegte Daten wieder in den internen Speicher des DG100-212 zu laden (→ Seite 29, MIDI Bulk-Empfang).

21 Effekt-Mischregler (EFFECT BLEND)

22 Effektschleifen-Ausgangsbuchse (EFFECT SEND)

23 Effektschleifen-Eingangsbuchse (EFFEKT RETURN)

Zwischen den SEN/RETURN-Buchsen können Sie ein externes Effektgerät einschleifen. Dies gibt Ihnen weitere Möglichkeiten zur Bearbeitung des vom Verstärker erzeugten Tonsignals. Mit dem BLEND-Regler gleichen Sie die Mischanteile zwischen dem vom externen Effektgerät zurückgeführten Signal (EFFECT) und dem «trockenen» Signal (DRY) des DG100-212 ab. Am EFFECT-Endanschlag wird nur das Tonsignal des externen Effektgeräts wiedergegeben. Wenn der Regler am DRY-Endanschlag steht, ist nur der intern im DG100-212 erzeugte Ton ohne externen Effekt zu hören.

** Beim Beschalten der RETURN-Buchse wird die interne Tonsignalleitung unterbrochen. Das vom externen Effektgerät kommende Signal wird über diese Buchse wieder in den internen Tonsignalkreis eingeschleift und gelangt dann zur Endstufe, um dort verstärkt und über den Lautsprecher wiedergegeben zu werden. Wenn die RETURN-Buchse nicht beschaltet ist, hat der BLEND-Regler keine Funktion. Die SEND-Buchse kann alternativ auch als Vorverstärkerausgang verwendet werden, während die RETURN-Buchse als Haupteingangsbuchse dienen kann.*

24 Line-Ausgangsbuchse (LINE OUT)

25 Line-Pegelregler (LINE OUT LEVEL)

Das an der Lautsprecherbuchse 18 ausgegebene Signal liegt gleichzeitig mit Line-Pegel (+4 dB/600 Ω) an der LINE OUT-Buchse an. Der Verstärker bietet auch einen internen Lautsprecher-Simulator (je nach Bedarf ein- und ausschaltbar; siehe Seite 29), und der Ausgangspegel kann mit dem LINE OUT LEVEL-Regler angepaßt werden. Das Line-Signal kann auf diese Weise alternativ (mit Lautsprecher-Simulation) an ein Mischpult oder (ohne Lautsprecher-Simulation) an einen externen Verstärker ausgegeben werden.

Gebrauch des DG100-212

Zum Schutz der Lautsprecher vor möglichen Schäden stellen Sie den OUTPUT-Regler auf «0», bevor Sie das Gerät ein- oder ausschalten.

■ Zunächst einen provisorischen Klang erzeugen

1. Schließen Sie die Gitarre bei ausgeschaltetem DG100-212 an eine INPUT-Buchse an der Frontplatte an. Probieren Sie zunächst die LOW-Buchse aus.
2. Stellen Sie den OUTPUT-Regler auf «0», und schalten Sie das Gerät dann ein.
3. Stellen Sie nun den TRIM-Pegel des DG100-212 anfänglich auf «5», und schlagen Sie einige Saiten auf der Gitarre an. Heben Sie dabei allmählich den OUTPUT-Pegel.
4. Das System erzeugt nun provisorisch Ton, mit dem Sie den TRIM-Pegel einstellen können, wie im folgenden Abschnitt beschrieben.

■ Den TRIM-Pegel einstellen

Der TRIM-Pegel dient dazu, den Ausgangspegel der Gitarre an den Pegel der INPUT-Buchse des DG100-212 anzupassen. Bei optimaler TRIM-Einstellung werden feinste Nuancierungen im Zupfen sowie auch die kraftvolle Attack-Einschwingung beim «Schlagen» und Anreißen der Saiten wiedergegeben. Bei einem ungeeigneten Trimppegel treten Störgeräusche, Rückkopplungen und eine Beschneidung des Klangs auf.

* Der Gitarren-Ausgangspegel ist von Instrument zu Instrument unterschiedlich. Nach Anschließen einer anderen Gitarre müssen Sie den Trimppegel an das neue Instrument anpassen.

* Die Eingangspegel der Buchsen HIGH und LOW sind unterschiedlich. Auch wenn Sie dieselbe Gitarre verwenden, müssen Sie beim Wechsel zur anderen INPUT-Buchse den TRIM-Pegel neu einstellen.

* Auch wenn mit Distortion- oder Verzerrungseffekt gespielt werden soll, muß der TRIM-Pegel ordnungsgemäß eingestellt werden, wonach der Verzerrungseffekt mit dem GAIN-Regler eingerichtet wird.

1. Stellen Sie die Gitarrenlautstärke auf Höchstpegel, und schlagen Sie die Saiten stark an. Beginnen Sie nun die Justage des TRIM-Pegels. Der Pegel ist optimal, wenn die grüne Anzeige-LED leuchtet.
2. Drehen Sie den TRIM-Regler weiter, und justieren Sie ihn so ein, daß die rote Anzeige-LED gerade noch nicht leuchtet. Stellen Sie den TRIM-Pegel auf «10», wenn die rote Anzeige-LED nicht leuchten sollte.
* Wenn die rote Anzeige-LED auch am Endanschlag nicht leuchtet, drehen Sie den TRIM-Regler zurück, schließen die Gitarre an die HIGH-Buchse an und führen den Einstellvorgang erneut aus.

■ Klangeinstellungen

Wählen Sie eines der 8 im DG100-212 gespeicherten Verstärkertyp-Presets, um den Klang dann mit dem GAIN- und MASTER-Regler sowie den Klangreglern wunschgemäß einzustellen.

1. Drücken Sie die AMP SELECT-Taste mit dem gewünschten Verstärkertyp-Prese. Die LED der Taste leuchtet zur Bestätigung.
2. Stellen Sie den Gitarrensound mit dem GAIN- und MASTER-Regler sowie den 5 Klangreglern ein.

TIP OUTPUT- und MASTER-Regler

Beide Regler wirken auf die Tonlautstärke. Der MASTER-Regler verändert die Gesamtlautstärke in der Vorverstärkerstufe. Die Einstellung dieses Reglers wird gespeichert. Der OUTPUT-Regler verändert die Lautstärke in der Endstufe. Diese Einstellung wird nicht gespeichert. Lautstärkevariationen für individuelle Klangprogramme sollten daher mit dem MASTER-Regler eingestellt werden. Die Lautsprecher-Lautstärke sollte mit dem OUTPUT-Regler eingestellt werden.

* Beim Drücken einer AMP SELECT-Taste werden die Einstellungen aller Regler (außer TRIM, OUTPUT und REVERB) rückgesetzt (GAIN und MASTER = 7, Klangregler = 5. Zum Speichern einer Einstellung als Programm siehe «Speichern von Klangeinstellungen» auf Seite 27).

■ REVERB-Einstellungen

Die Reverb-Stufe des DG100-212 bietet drei Arten von digitalen Halleffekten: SPRING (Spirale) zur realistischen Simulation des in älteren Gitarrenverstärkern verwendeten Reverb-Effekts, PLATE (Hallplatte) und HALL (Saal).

1. Drücken Sie die REVERB-Taste, um einen der Halleffekte zu wählen. Bei wiederholtem Drücken der REVERB-Taste wird nach folgendem Schema weitergeschaltet: SPRING → HALL → PLATE. Die Anzeige des jeweils gewählten Effekts leuchtet zur Bestätigung.

2. Stellen Sie die Halltiefe mit dem REVERB-Regler ein.

* REVERB-Einstellungen (gewählter Halleffekt und Reglereinstellung) bleiben auch dann wirksam, wenn Sie über die AMP SELECT-Tasten einen anderen Verstärkertyp auswählen. Beim Abrufen einer gespeicherten Klangeinstellung werden die REVERB-Einstellungen des betreffenden Programms vorgegeben.

■ TAPE ECHO-Einstellungen

Die im DG100-212 eingebaute digitale TAPE ECHO-Funktion ermöglicht eine realistische Simulation des Klangs eines Bandechogeräts.

1. Drücken Sie die [MODE]-Taste, so daß die Anzeige-LED «TAPE ECHO» leuchtet, um den Bandecho-Einstellmodus auszuwählen. Die Regler BASS, PRESENCE und REVERB werden dabei automatisch auf «0» rückgestellt.

* Wenn das Programm des gewählten Speicherplatzes TAPE ECHO-Einstellung enthält, fahren die Regler automatisch an die entsprechenden Positionen.

2. Stellen Sie den Bandechoeffekt mit den Reglern BASS, PRESENCE und REVERB wunschgemäß ein.

• BASS (TIME: Echozeit)

Bestimmt die zeitliche Verzögerung zwischen dem Saiten- und dem Echoklang (bzw. das Intervall zwischen den Echos). Beim Drehen nach rechts nimmt der Zeitwert zu.

• PRESENCE (FEEDBACK: Effektdauer)

Dient zur Einstellung der gewünschten Effektdauer (bzw. Echo-wiederholungen). Beim Drehen des Reglers nach rechts nimmt die Effektdauer zu. Passen Sie jedoch auf: Bei zu hoher Einstellung können unkontrollierbare Rückkopplungen auftreten.

• REVERB (LEVEL: Echopegel)

Zur Einstellung der Effektlautstärke.

3. Drücken nach beendeter Einstellung die [MODE]-Taste oder die [REVERB]-Taste, so daß die Anzeige-LED «PLAY» leuchtet.

Die Regler BASS, PRESENCE und REVERB fahren nun wieder die Positionen an, auf die sie vor Aktivieren des TAPE ECHO-Einstellmodus eingestellt waren.

* Im TAPE ECHO-Einstellmodus sind nur die Regler BASS, PRESENCE und REVERB sowie TRIM und OUTPUT funktionstüchtig.

* TAPE ECHO-Einstellungen bleiben auch dann wirksam, wenn Sie über die AMP SELECT-Tasten einen anderen Verstärkertyp auswählen. Beim Abrufen einer gespeicherten Klangeinstellung werden die Bandechoeinstellungen des betreffenden Programms vorgegeben.

Mit den auf dieser Seite beschriebenen Funktionen können Sie den Klang wunschgemäß einstellen. Diese Klangeinstellungen können zusammen mit den Hall- und Bandecho-Einstellungen abrufbereit als Programm in den internen Speicher des DG100-212 eingegeben werden, wie auf der nächsten Seite beschrieben.

Speichern und Abrufen von Klangeinstellungen

Der DG100-212 verfügt über einen internen Speicher, in dem Sie bis zu 128 eigene Verstärkertyp-Klangeinstellungen (GAIN-, MASTER-, Klangregler, REVERB und TAPE ECHO) festhalten können. Diese Klangprogramme (Sounds) können dann später bei Bedarf wieder abgerufen werden. Die motorgetriebenen Regler werden beim Abrufen eines Programms automatisch an die gespeicherten Positionen gefahren. Versuchen Sie nun probeweise, eine Klangeinstellung als Programm zu speichern.

■ Speichern von Klangeinstellungen

1. Stellen Sie, wie auf Seite 26 beschrieben, den Klang eines der acht Verstärkertyp-Presets mit den Reglern an der Frontplatte wunschgemäß ein.

* Im Utility-Modus gemachte Einstellungen können nicht als Teil individueller Programme gespeichert werden. Diese Einstellungen bleiben beim Ausschalten des Geräts als gemeinsame Einstellungen im Speicher erhalten und werden beim nächsten Einschalten wieder vorgegeben.

2. Drücken Sie die [MODE]-Taste, so daß die Anzeige-LED «AMP» oder «ECHO MODE» leuchtet.

3. Wählen Sie mit den [↑] / [↓]-Tasten die Speicherplatznummer aus, an der die Einstellungen festgehalten werden sollen. Die Speicherplatznummer wird blinkend auf dem Display angezeigt.

* Zum schnellen Weiterschalten bis zur gewünschten Speicherplatznummer halten Sie die [↑]- bzw. [↓]-Taste gedrückt.

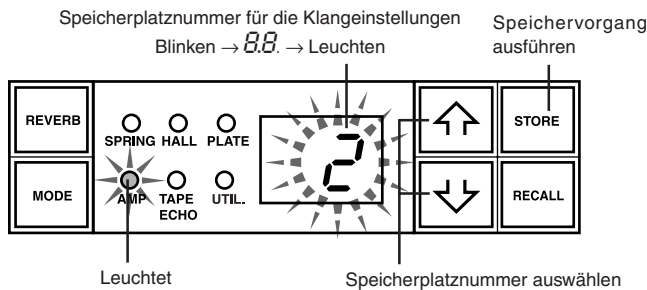
* Die Hunderterstelle der Speicherplätze 100 bis 128 wird durch einen blinkenden Punkt zwischen den beiden anderen Stellen identifiziert.

Beispiel: 128 wird als 28 angezeigt.

4. Halten Sie die [STORE]-Taste etwa eine Sekunde lang gedrückt, bis «88» auf dem Display erscheint.

Beim Loslassen der Taste bestätigt Blinken der Speicherplatznummer, daß das Klangeinstellungsprogramm gespeichert wurde.

* TRIM- und OUTPUT-Einstellungen werden nicht gespeichert. Stellen Sie Begleitungs- und Solo-Lautstärkepegel daher mit dem MASTER-Regler ein.



Die Daten der Speicherplätze 1 bis 128 können auf ein externes MIDI-Datenspeichergerät übertragen werden. Einzelheiten finden Sie auf Seite 29.

TIP Anmerkungen zum Speichern von Klangprogrammen

Zum übersichtlichen Abspeichern von Programmen sollten Sie die Speicherplätze 1 bis 128 in entsprechende Gruppen einteilen. Das Abrufen gewünschter Programme ist dann einfacher. Beispiele:

- Einteilung in Speicherplatzgruppen nach bestimmten Verstärkertypen (LEAD1, DRIVE 1 usw.).
- Gruppieren von Programmen nach Sound-Typ (Distortion, ohne Effekt usw.).
- Gruppieren der Programme in der gewünschten Abruf-Reihenfolge für Live-Auftritte.
- Gruppieren der Programme nach Gitarrentypen (mit/ohne Entbrummspule usw.).

Es empfiehlt sich auch, eine separate Tabelle anzulegen, auf der die Programme (Sounds) der einzelnen Speicherplätze eingetragen ist.

■ Abrufen gespeicherter Klangeinstellungen

Zum Abrufen eines Klangprogramms wählen Sie einfach die entsprechende Speicherplatznummer.

Beim Abrufen eines Programms ändern sich die aktuellen Klangeinstellungen. Sollen diese jedoch erhalten bleiben, speichern Sie sie als Klangprogramm ab, wie vorangehend beschrieben.

1. Drücken Sie die [MODE]-Taste, so daß die Anzeige-LED «AMP» oder «ECHO MODE» leuchtet.

2. Wählen Sie mit den [↑] / [↓]-Tasten die Speicherplatznummer aus, deren Klangprogramm abgerufen werden soll. Die Speicherplatznummer wird (blinkend) auf dem Display angezeigt.

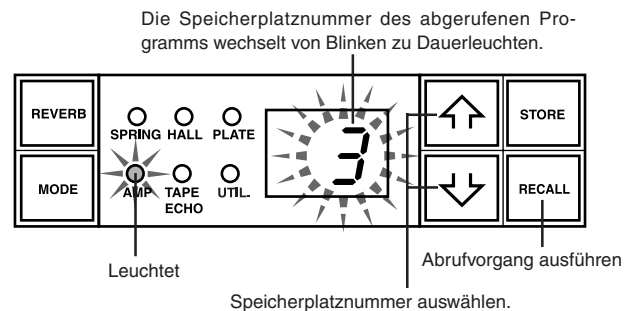
3. Drücken Sie die [RECALL]-Taste. Die Speicherplatznummer wird nun kontinuierlich angezeigt. Die Regler fahren die Positionen der gespeicherten Klangeinstellungen an, und die Anzeige-LED des als Ausgangsbasis verwendeten Verstärkertyps leuchtet.

* Die gespeicherten Einstellungen werden erst beim Betätigen der [RECALL]-Taste abgerufen.

* Die Einstellung des TRIM- und des OUTPUT-Reglers ändert sich beim Abrufen eines Programms nicht.

* Die motorgetriebene Reglervorstellung kann 1 bis 10 Sekunden dauern — die interne Einstellung (d.h. der Klang) ändert sich jedoch sofort.

* «E 1» wird auf dem Display angezeigt, wenn ein Regler sich nicht auf die vorgegebene Position einstellt oder das Gerät den Abrufbefehl nicht innerhalb von 20 Sekunden ausführt. Wird das Gerät in diesem Fehlerzustand weiterhin betrieben, besteht die Gefahr eines Brandes oder elektrischen Schlags. Lassen Sie das in dem Geschäft, in dem es erworben wurde, oder von einem Yamaha-Service in Ihrer Nähe überprüfen.



Programme können auch mit einem MIDI Foot Controller oder einem anderen externen MIDI-Gerät angewählt und abgerufen werden. Einzelheiten hierzu finden Sie auf Seite 28.

■ Initialisieren des Speichers ■

Mit dem im folgenden beschriebenen Bedienvorgang kann der interne Speicher (Nr. 1 bis 128) in einem Durchgang auf die werkseitigen Vorgabeeinstellungen (GAIN und MASTER = 7, alle Klangregler = 5) rückgesetzt werden. Beachten Sie bitte, daß bei einer Initialisierung alle Daten, die Sie im Gerät gespeichert haben, verloren gehen!

[Bedienvorgang]

Halten Sie beim Einschalten des Geräts die Tasten [LEAD 1] und [RECALL] gedrückt.

Nützliche Funktionen

Mit MIDI-Befehlen können Sie von einem externen Gerät aus Speicherplatznummern am DG100-212 auswählen, REVERB und TAPE ECHO ein- oder ausschalten und die Lautstärke regeln. Es gibt außerdem auch eine Lautsprecher-Simulationsfunktion, die bei Bedarf auf das Line-Ausgangssignal gelegt werden kann.

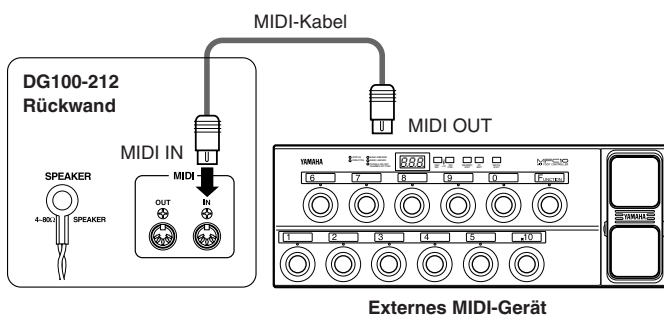
Was ist MIDI? MIDI ist die Abkürzung für «Musical Instruments Digital Interface». MIDI ist ein weltweit etablierter Schnittstellenstandard, der es MIDI-kompatiblen Instrumenten, Geräten und Computern ermöglicht, Musikinformation in Form von Daten modell- und herstellerunabhängig auszutauschen und sich gegenseitig zu steuern.

■ MIDI-gesteuerter Programmabruf

Bei Bedarf können Sie im DG100-212 gespeicherte Klangeinstellungen mit dem Yamaha MIDI Foot Controller MFC10 oder einem anderen MIDI-Gerät über Programmwechsel-Befehle (Program Change) abrufen.

1. Verbinden Sie die MIDI IN-Buchse des DG100-212 über ein MIDI-Kabel mit der MIDI OUT-Buchse des externen MIDI-Geräts.

* Verwenden Sie ein hochwertiges MIDI-Kabel, dessen Länge 15 m nicht überschreiten sollte. Größere Kabellängen können Betriebsstörungen zur Folge haben.



2. Stellen Sie den Empfangskanal des DG100-212 und den Sendekanal des externen Geräts auf dieselbe Nummer ein. (Die werkseitige Vorgabeeinstellung ist Kanal 1.)

→ Wie Sie die Kanalnummer einstellen, erfahren Sie bei «Einstellen des MIDI-Empfangskanals» auf Seite 29.

3. Richten Sie eine Programmwechselliste*¹ ein. (Werkseitige Vorgabeeinstellung: Programmwechselnummer = Speicherplatznummer)

→ Wie Sie eine Programmwechselliste einrichten, erfahren Sie bei «Einrichten einer MIDI-Programmwechselliste» auf Seite 29.

*¹ Beispiel: «Bei Empfang der Programmwechselnummer 1 soll das an Speicherplatz 5 abgelegte Programm abgerufen werden.» Um solche Verknüpfungen herzustellen, ordnen Sie den Programmwechselnummern neue Speicherplatznummern zu.

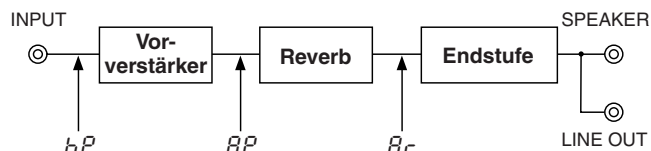
4. Wenn der Programmwechselbefehl eines externen Geräts empfangen wird, werden die Daten (Klangeinstellungen) des Speicherplatzes abgerufen, der in der Programmwechselliste entsprechend zugeordnet ist.

* Wie Sie mit dem externen Gerät Programmwechselnachrichten senden, entnehmen Sie bitte dessen Bedienungsanleitung.

■ MIDI-gesteuerte Lautstärkeregelung

Sie können Gesamtlautstärke des DG100-212 kann von einem externen MIDI-Gerät aus mit Steuerbefehlen (Control Change) für Controller Nr. 7 (Main Volume = Hauptlautstärke) regeln, die von der MIDI OUT-Buchse des externen Geräts an die MIDI IN-Buchse des DG100-212 gesendet werden. Wenn Sie einen Yamaha Foot Controller MFC10 oder ein anderes MIDI-Gerät mit Schwellpedal anschließen, können Sie die Lautstärke beim Spielen mit dem Pedal regeln. Sie können darüber hinaus wählen, an welchem Punkt der Tonsignalleitung der Lautstärkepegel geregelt werden soll:

- «bP»: Before Pre Amp. Zum Regeln der Lautstärke vor der Vorverstärkerstufe.
- «rP»: After Pre Amp. Zum Regeln der Lautstärke nach der Vorverstärkerstufe.
- «rR»: After Reverb. Zum Regeln der Lautstärke nach der Reverb-Stufe.



1. Schließen Sie das externe MIDI-Gerät an, und stellen Sie den MIDI-Kanal ein, wie im vorangehenden Abschnitt, «MIDI-gesteuerter Programmabruf», beschrieben.

2. Wählen Sie nun den Punkt, an dem die Lautstärkeregelung erfolgen soll.

→ Die Einstellung ist bei «Einstellen des Regelpunkts für pedalgesteuerte Lautstärkeregelung» auf Seite 29 beschrieben.

3. Sie können nun vom externen Gerät aus MIDI-Steuerbefehle für Controller Nr. 7 senden, um die Lautstärke am DG100-212 zu regeln.

* Der DG100-212 spricht nur auf MIDI-Steuerbefehle der Controller 7, 91 und 94 an.

* Wie Sie mit dem externen Gerät Steuernachrichten (Control Change) senden, entnehmen Sie bitte dessen Bedienungsanleitung.

* Die aktuelle Hauptlautstärkeeinstellung bleibt auch beim Abrufen eines anderen Programms (Speicherplatznummer) erhalten.

* Beim Einschalten wird die maximale Hauptlautstärke vorgegeben.

* Wenn das externe Gerät nach Ändern der Hauptlautstärke abgetrennt wird, ist der Lautstärkepegel unter Umständen zu niedrig. In diesem Fall stellen Sie entweder per MIDI-Befehl wieder die Höchstlautstärke ein oder schalten den DG100-212 einmal aus und dann wieder ein.

■ MIDI-gesteuertes Ein- und Ausschalten des Reverb- und des Tonbandecho-Effekts

Sie können den REVERB-Effekt des DG100-212 von einem externen MIDI-Gerät aus mit MIDI-Steuerbefehlen (Control Change) für Controller Nr. 91 ein- und ausschalten, die von der MIDI OUT-Buchse des externen Geräts an die MIDI IN-Buchse des DG100-212 gesendet werden. Mit MIDI-Steuerbefehlen für Controller Nr. 94 können Sie auf dieselbe Weise die TAPE ECHO-Funktion des DG100-212 ein- und ausschalten.

1. Schließen Sie das externe MIDI-Gerät an, und stellen Sie den MIDI-Kanal ein, wie im vorangehenden Abschnitt, «MIDI-gesteuerter Programmabruf», beschrieben.

2. Sie können nun mit Steuerbefehlen für Controller Nr. 91 bzw. 94, die Sie mit dem externen MIDI-Gerät senden, REVERB bzw. TAPE ECHO am DG100-212 ein- und ausschalten.

* Der DG100-212 wertet empfangene Steuernachrichten folgendermaßen aus: Werte, die gleich oder größer als 64 sind, bewirken Einschalten des Effekts. Werte, die gleich oder kleiner als 63 sind, bewirken Ausschalten des Effekts. Das sendende Gerät sollte jedoch stets die Werte 127 (EIN) und 0 (AUS) senden.

* Wie Sie mit dem externen Gerät Steuernachrichten (Control Change) senden, entnehmen Sie bitte dessen Bedienungsanleitung.

■ Lautsprechersimulator

Der Lautsprechersimulator des DG100-212 kann das Line-Signal mit einer realistischen Simulation des natürlichen Klangs eines Lautsprechers versehen. Das Simulationssignal kann beispielsweise elegant eingesetzt werden, wenn die LINE OUT-Buchse mit einem Mischpult oder einem Aufnahmegerät verbunden wird.

→ Die Einstellung dieser Funktion ist im Abschnitt «Ein- und Ausschalten des Lautsprechersimulators» in dieser Anleitung beschrieben.

Utility-Modus

Der Utility-Modus ist für MIDI-Konfiguration sowie zum Einstellen des Lautsprecher-Simulators und des Regelpunkts für pedalgesteuerte Lautstärkeregelung vorgesehen. Zum Aufrufen des Utility-Modus halten Sie die [MODE]-Taste mindestens eine Sekunde lang gedrückt, bis die Anzeige-LED «UTIL.» leuchtet. Die in diesem Modus gemachten Einstellungen bleiben auch beim Ausschalten des Geräts gespeichert. Zum Verlassen des Utility-Modus drücken Sie die [MODE]-Taste erneut, so daß die Anzeige-LED «AMP» (Verstärker-Modus) leuchtet.

* Im Utility-Modus können MIDI-Nachrichten nicht empfangen werden. Wie die einzelnen MIDI-Operationen ausgeführt werden, erfahren Sie in den Abschnitten «MIDI-gesteuerter Programmabruf», «MIDI-gesteuerte Lautstärkeregelung», «MIDI-gesteuertes Ein- und Ausschalten des Reverb- und des Tonbandecho-Effekts» und «MIDI Bulk-Empfang» in dieser Anleitung.

Einrichten einer MIDI-Programmwechselliste

Mit dem im folgenden beschriebenen Vorgang können Sie den Speicherplätzen des DG100-212 andere Programmwechselnummern für den MIDI-gesteuerten Programmabruf zuordnen.

* Werkseitige Vorgabeeinstellung: Programmwechselnummer = Speicherplatznummer

1. Halten Sie die [MODE]-Taste mindestens eine Sekunde lang gedrückt. Die Anzeige-LED «UTIL.» (Utility-Modus) leuchtet nun zur Bestätigung.
2. Drücken Sie die [LEAD 1]-Taste.
3. Wählen Sie mit den [↑] / [↓]-Tasten die Programmwechselnummer (1 bis 255), die das externe Gerät senden wird. Die Nummer wird auf dem Display angezeigt.
4. Drücken Sie die [LEAD 2]-Taste.
5. Wählen Sie mit den [↑] / [↓]-Tasten die Speicherplatznummer (1 bis 255), deren Klangprogramm bei Empfang der oben gewählten Programmwechselnummer im DG100-212 abgerufen werden soll. Die Nummer wird auf dem Display angezeigt.
6. Führen Sie Schritte 2 bis 5 wiederholt aus, bis die Zuordnungstabelle komplett ist.

Einstellen des MIDI-Empfangskanals

Der folgende Vorgang beschreibt die Einstellung des MIDI-Kanals, auf dem der DG100-212 MIDI-Daten empfängt.

* Zum Übertragen von Daten zwischen zwei MIDI-Geräten müssen der Sendekanal des einen Geräts und der Empfangskanal des anderen auf dieselbe Nummer eingestellt sein. (Die werkseitige Vorgabeeinstellung ist Kanal Nr. 1.)

1. Halten Sie die [MODE]-Taste mindestens eine Sekunde lang gedrückt. Die Anzeige-LED «UTIL.» (Utility-Modus) leuchtet nun zur Bestätigung.
2. Drücken Sie die [DRIVE 1]-Taste. Die Nummer des gegenwärtig eingestellten MIDI-Empfangskanals wird auf dem Display angezeigt.
3. Stellen Sie den MIDI-Empfangskanal (1 bis 15, R 1 = alle, OF = kein Empfang) mit den [↑] / [↓]-Tasten ein.

* Die Einstellung «R 1» entspricht dem Omni-Modus.

Einstellen der MIDI-Mischfunktion (Merge)

Wenn das MIDI-Signal, das der DG100-212 über seine MIDI IN-Buchse empfängt, über die MIDI OUT-Buchse an andere MIDI-Geräte weitergeleitet werden soll, stellen Sie die MIDI-Mischfunktion auf «ON» (EIN). Wenn keine Weiterleitung erfolgen soll, wählen Sie «OFF» (AUS).

1. Halten Sie die [MODE]-Taste mindestens eine Sekunde lang gedrückt. Die Anzeige-LED «UTIL.» (Utility-Modus) leuchtet nun zur Bestätigung.
2. Drücken Sie die [DRIVE 2]-Taste. Die gegenwärtige Einstellung der MIDI-Mischfunktion wird auf dem Display angezeigt.
3. Stellen Sie mit den [↑] / [↓]-Tasten «ON» (EIN) oder «OFF» (AUS) ein.

MIDI Bulk-Übertragung

Sie können die Daten im internen Speicher des DG100-212 zur Sicherstellung auf ein externes MIDI-Datenspeichergerät übertragen (z. B. Yamaha MDF3 usw.).

1. Verbinden Sie die MIDI OUT-Buchse des DG100-212 über ein MIDI-Kabel mit der MIDI IN-Buchse des externen MIDI-Datenspeichergeräts.
2. Halten Sie die [MODE]-Taste mindestens eine Sekunde lang gedrückt. Die Anzeige-LED «UTIL.» (Utility-Modus) leuchtet nun zur Bestätigung.
3. Zum Übertragen aller Daten in einem Durchgang (128 Speicherplätze plus Utility-Einstellungen):
→ Drücken Sie die [CRUNCH 1]-Taste. «R 1» wird nun auf dem Display angezeigt.

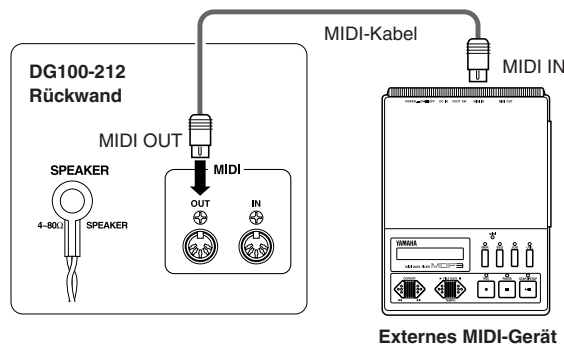
Zum Übertragen von Speicherplatzdaten:

→ Drücken Sie die [CRUNCH 2]-Taste. Wählen Sie danach mit den [↑] / [↓]-Tasten die Nummer des Speicherplatzes dessen Daten übertragen werden sollen (1 bis 128, R 1).

* Wenn Sie «R 1» wählen, werden die Daten aller 128 Speicherplätze übertragen.

4. Drücken Sie die [STORE]-Taste, um die Bulk-Übertragung auszuführen. Zum Abbrechen des Vorgangs drücken Sie die [MODE]-Taste.

* Als Gerätenummer wird die Nummer des MIDI-Empfangskanals vorgegeben. Wenn als MIDI-Empfangskanaleinstellung «R 1» (Omni) gewählt wurde, ist die Gerätenummer «1».



MIDI Bulk-Empfang

Verbinden Sie die MIDI IN-Buchse des DG100-212 mit der MIDI OUT-Buchse des externen MIDI-Datenspeichergeräts. Danach können Sie die im externen Gerät sichergestellten Daten in den DG100-212 zurückladen.

* Das Laden von Daten per MIDI Bulk Dump ist nur im AMP- oder TAPE ECHO-Modus möglich. Im UTIL.-Modus können keine Daten empfangen werden.

* Die Gerätenummer ist identisch mit der Nummer des MIDI-Empfangskanals. Wenn der MIDI-Empfang auf OMNI («R 1») eingestellt ist, wird MIDI-Kanal 1 vorgegeben. Bei AUS («OF») werden keine Daten empfangen.

* Während des MIDI Bulk-Empfangs wird «L 1» auf dem Display angezeigt.

Ein- und Ausschalten des Lautsprechersimulators

Der Lautsprechersimulator des DG100-212 versieht das Line-Signal mit einer realistischen Simulation des natürlichen Klangs eines Lautsprechers. Das Simulationssignal kann beispielsweise eingesetzt werden, wenn die LINE OUT-Buchse mit einem Mischpult oder einem Aufnahmegerät verbunden ist.

1. Halten Sie die [MODE]-Taste mindestens eine Sekunde lang gedrückt. Die Anzeige-LED «UTIL.» (Utility-Modus) leuchtet nun zur Bestätigung.
2. Drücken Sie die [CLEAN 1]-Taste. Die gegenwärtige Einstellung wird auf dem Display angezeigt.
3. Wählen Sie mit den [↑] / [↓]-Tasten «ON» (EIN) oder «OFF» (AUS).

Einstellen des Regelpunkts für pedalgesteuerte Lautstärkeregelung

Über diesen Parameter können Sie vorgeben, an welchem Punkt der Ton-signalleitung die MIDI-gesteuerte Lautstärkeregelung stattfinden soll. (Einzelheiten siehe «MIDI-gesteuerte Lautstärkeregelung» auf Seite 28.)

1. Halten Sie die [MODE]-Taste mindestens eine Sekunde lang gedrückt. Die Anzeige-LED «UTIL.» (Utility-Modus) leuchtet nun zur Bestätigung.
2. Drücken Sie die [CLEAN 2]-Taste. Die gegenwärtige Einstellung wird auf dem Display angezeigt.
3. Wählen Sie mit den [↑] / [↓]-Tasten den Punkt (bP, RP, Rr), an dem die Lautstärke geregelt werden soll.

Fehlermeldungen

Sollte beim Betrieb ein Fehler auftreten, informiert einer der folgenden Fehlercodes über dessen Ursache.

E 1: Motorantriebsfehler

URSACHE: Ein Regler hat 20 Sekunden nach Abrufen einer Klangeinstellung die entsprechende Position nicht erreicht, oder das Gerät hat den Abrufbefehl nicht erkannt.

LÖSUNG: Das Gerät ausschalten und in dem Geschäft, in dem es erworben wurde, oder von einem Yamaha-Service instandsetzen lassen.

E 2: MIDI-Empfangspuffer voll

URSACHE: Es wurden zu einem gegebenen Zeitpunkt zu viele MIDI-Daten vom DG100-212 empfangen.

LÖSUNG: Versuchen Sie, die zu sendende Datenmenge zu reduzieren, oder Teilen Sie die Daten in kleinere Blöcke auf.

E 3: Kommunikationsfehler

URSACHE: Beim MIDI-Datenaustausch wurde ein Fehler festgestellt.

LÖSUNG: Überprüfen Sie die Anschlüsse usw., und versuchen Sie es dann noch einmal.

E 4: Kontrollsummenfehler bei Bulk Dump-Empfang

URSACHE: Die Kontrollsumme stimmt nicht mit den empfangenen MIDI-Daten überein.

LÖSUNG: Überprüfen Sie die Anschlüsse und Daten, und versuchen Sie es dann noch einmal.

E 5: Datenfehler bei Bulk Dump-Empfang

URSACHE: In den den empfangenen MIDI-Daten wurde ein Fehler festgestellt.

LÖSUNG: Überprüfen Sie die Anschlüsse und Daten, und versuchen Sie es dann noch einmal.

E 6: Speicherbatteriefehler

URSACHE: Die Speicherschutzbatterie ist erschöpft.

LÖSUNG: Bei fortgesetztem Gebrauch gehen die intern gespeicherten Daten verloren. Lassen Sie die Batterie in dem Geschäft, in dem es erworben wurde, oder von einem Yamaha-Service durch eine neue ersetzen.

Technische Daten

Digitale Schaltungen

Complete Digital Signal Processing
Volldigitale Signalverarbeitung
8 interne Preset-Programme
Digitales Reverb (SPRING, HALL, PLATE)
Digitales Tonbandecho
Lautsprecher-Simulator (LINE OUT)

Analoge Schaltungen

Transistorisierte 100 W Endstufe
30 cm Lautsprecherchassis (Celestion Vintage 30) x 2

MIDI-Funktionen



Empfangen: Program Change, Control Change (Controller Nr. 7, 91, 94), Bulk Dump

Senden: Bulk Dump, Merge

Regler/Schalter

Frontplatte: TRIM, OUTPUT, GAIN, MASTER, TREBLE, HIGH MID, LOW MID, BASS (TIME), PRESENCE (FEEDBACK), REVERB (LEVEL)

Rückwand: LINE OUT, EFFECT BLEND

Schalter: AMP SELECT (LEAD1, LEAD2, DRIVE1, DRIVE2, CRUNCH1, CRUNCH2, CLEAN1, CLEAN2), REVERB, MODE, , , STORE, RECALL

Anzeigen

8 AMP SELECT-Anzeige-LEDs
3 MODE-Anzeige-LEDs
2 REVERB-Typ-Anzeige-LEDs
2stelliges 7-Segment-LED-Display

Pegelanzeigen

Anzeige-LED für TRIM-Pegel (grün)
Anzeige-LED für TRIM-Beschneidungspegel (rot)

Buchsen

INPUT HIGH/LOW, SPEAKER, EFFECT SEND/RETURN: Standard-Klinkenbuchse (mono)
LINE OUT: Cannon-Buchse
MIDI IN, MIDI OUT: 5polige DIN-Buchse

A/D-Umsetzer 20 Bit

D/A-Umsetzer 20 Bit

Samplingfrequenz 48 kHz

Speicherplätze 128

Eingangsspegel/-impedanz

INPUT HIGH: -30 dBm (THRU)/1 M Ω
INPUT LOW: -20 dBm (THRU)/1 M Ω
EFFECT RETURN: 0 dBm/120 k Ω

Ausgangsspegel/-impedanz

SPEAKER: 100 W RMS/4 Ω
LINE OUT: +4 dBm/600 Ω
EFFECT SEND: 0 dBm/120 k Ω

Netzanschlußwerte

Modelle für USA und Kanada: 120 V, 60 Hz
Allgemeines Modell: 230 V, 50 Hz

Leistungsaufnahme 100W

Abmessungen (mit Fußrollen)

712 (B) x 574 (H) x 284 (T) mm

Gewicht 33,5 kg

* Änderungen der technischen Daten und des Designs vorbehalten.

Function ...	Transmitted	Recognized	Remarks
Basic Default	: x	: 1 - 16, off	: memorized
Channel Changed	: x	: 1 - 16, off	:
Mode Default	: x	: 1,3	: memorized
Mode Messages	: x	: x	:
Mode Altered	: *****	: x	:
Note	: x	: x	:
Number : True voice	: *****	: x	:
Velocity Note ON	: x	: x	:
Velocity Note OFF	: x	: x	:
After Key's	: x	: x	:
Touch Ch's	: x	: x	:
Pitch Bender	: x	: x	:
Control 0 - 6	: x	: x	:
Control 7	: x	: o	: Main Volume
Control 8 - 90	: x	: x	:
Control 91	: x	: o	: Reverb SW.
Control 92	: x	: x	:
Control 94	: x	: o	: Tape Echo SW.
Change 95 - 127	: x	: x	:
Prog	: x	: o 0 - 127	: Program Change
Change : True #	: *****	:	: Number 1-128
System Exclusive	: o	: o	: Bulk Dump
System : Song Pos.	: x	: x	:
System : Song Sel.	: x	: x	:
common : Tune	: x	: x	:
System :Clock	: x	: x	:
Real Time :Commands	: x	: x	:
Aux :Local ON/OFF	: x	: x	:
Aux :All Notes OFF	: x	: x	:
Mes- :Active Sense	: o	: x	:
sages:Reset	: x	: x	:
Mode 1 : OMNI ON, POLY		Mode 2 : OMNI ON, MONO	o : Yes
Mode 3 : OMNI OFF, POLY		Mode 4 : OMNI OFF, MONO	x : No

