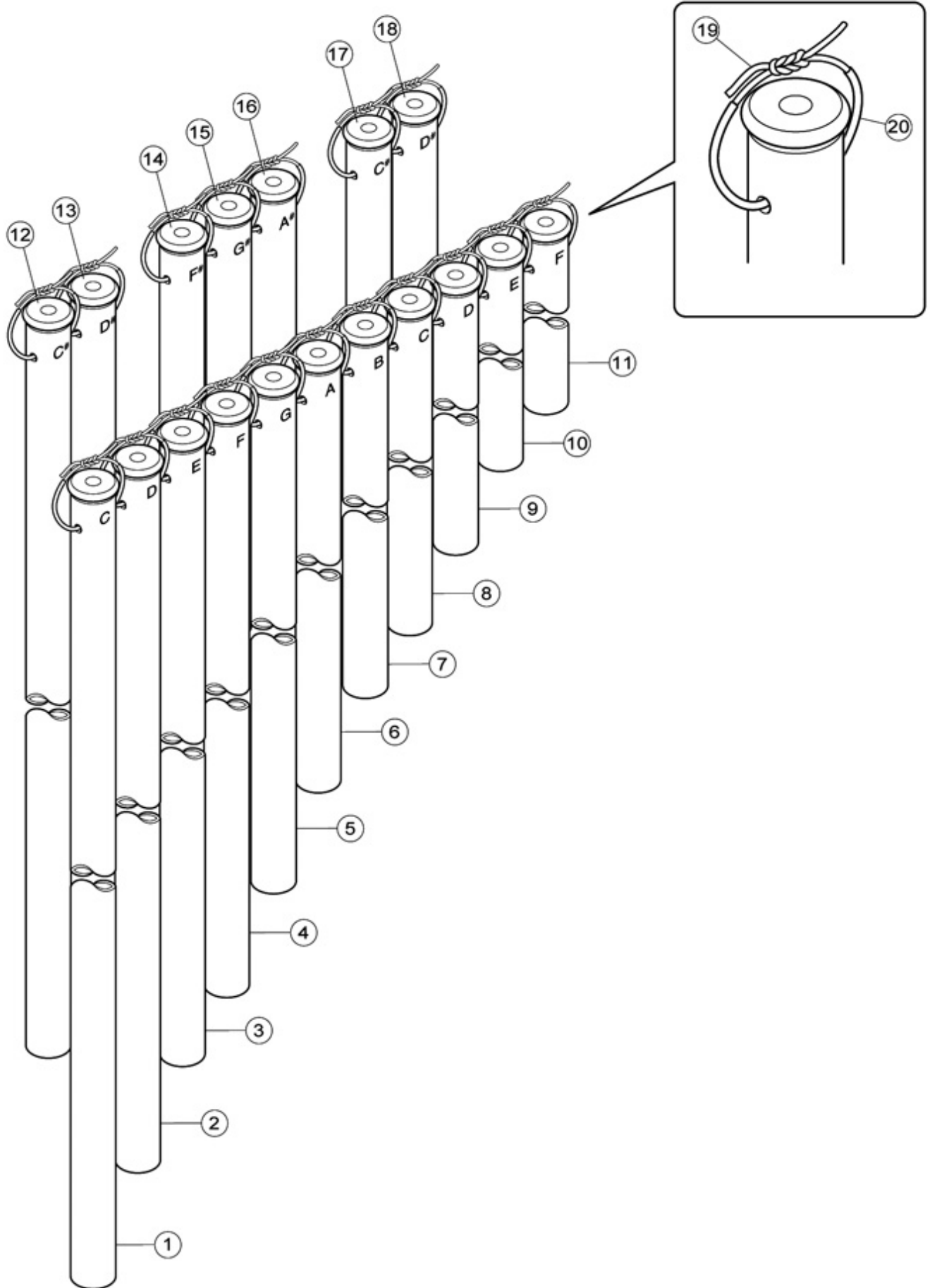
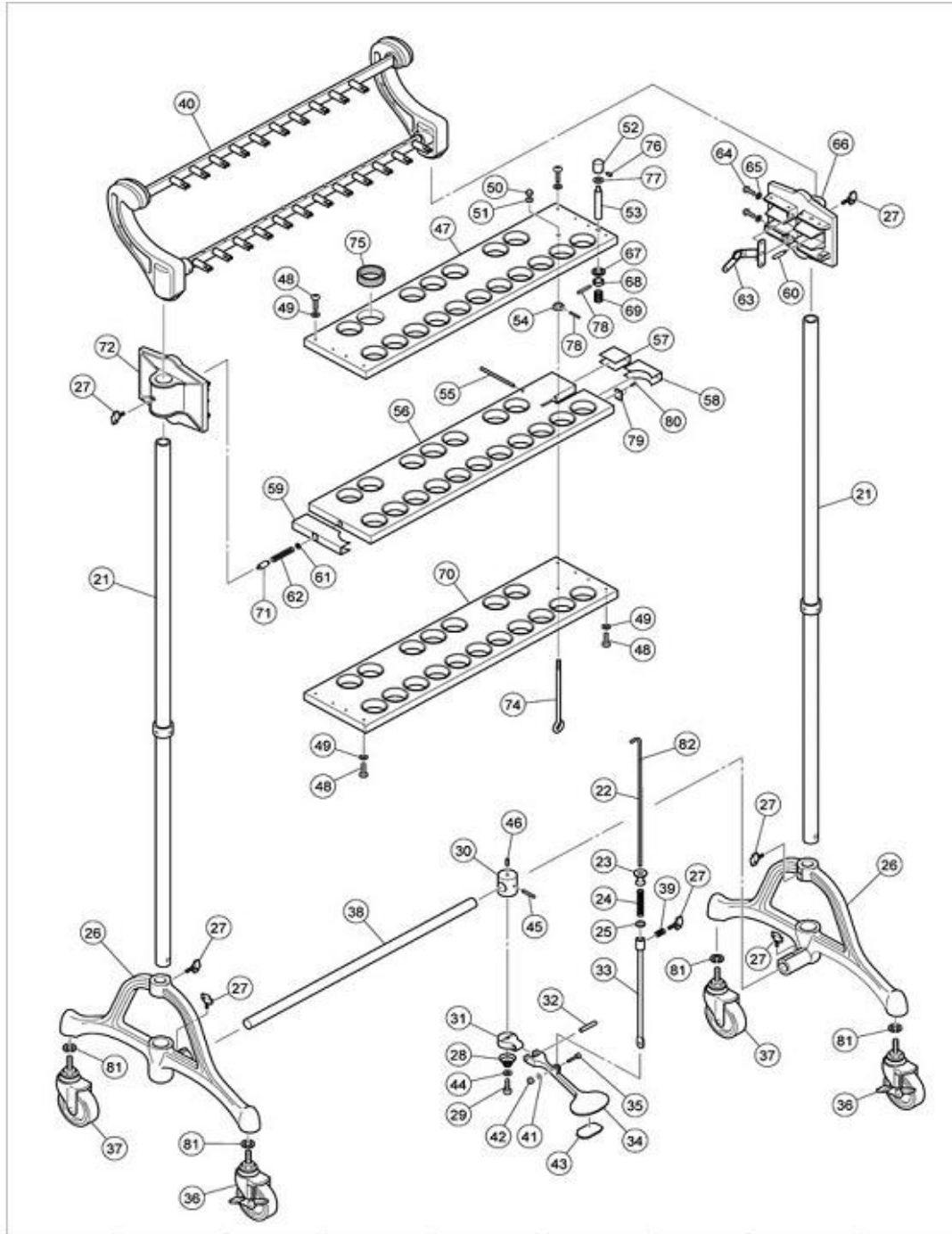


Model Name : DC9150B



Model Name : DC9150B



Model Name : DC9150B

| Ref No. | Parts No.(ChangeNo.) | English Name                          | Minimum Delivery | Accept order or not |
|---------|----------------------|---------------------------------------|------------------|---------------------|
| 1       | WJ580400             | Sound Colum C52 DC9150B               | 1 PC             |                     |
| 10      | WJ582000             | Sound Colum E68 DC9150B               | 1 PC             |                     |
| 11      | WJ582100             | Sound Colum F69 DC9150B               | 1 PC             |                     |
| 12      | WJ580500             | Sound Colum C#53 DC9150B              | 1 PC             |                     |
| 13      | WJ580700             | Sound Colum D#55 DC9150B              | 1 PC             |                     |
| 14      | WJ581000             | Sound Colum F#58 DC9150B              | 1 PC             |                     |
| 15      | WJ581200             | Sound Colum G#60 DC9150B              | 1 PC             |                     |
| 16      | WJ581400             | Sound Colum A#62 DC9150B              | 1 PC             |                     |
| 17      | WJ581700             | Sound Colum C#65 DC9150B              | 1 PC             |                     |
| 18      | WJ581900             | Sound Colum D#67 DC9150B              | 1 PC             |                     |
| 19      | WJ517800             | Nylon Cord DC9190B                    | 1 PC             |                     |
| 2       | WJ580600             | Sound Colum D54 DC9150B               | 1 PC             |                     |
| 20      | WJ517700             | Teflon Tube DC9190B                   | 1 PC             |                     |
| 21      | WJ526100             | Side Column Ass'y DC9160B             | 1 PC             |                     |
| 22      | WJ547100             | Pull Rod Upper DC9190B                | 1 PC             |                     |
| 23      | WJ547200             | Pull Rod Knob DC9190B                 | 1 PC             |                     |
| 24      | WJ547300             | Pull Rod Spring DC9190B               | 1 PC             |                     |
| 25      | WJ547400             | Plain Washer6x13x1.0 MFZN2W3 DC9190B  | 1 PC             |                     |
| 26      | WJ517900             | Base Casting DC9190B                  | 1 PC             |                     |
| 27      | WJ518000             | Wing Handle Assy DC9190B              | 1 PC             |                     |
| 28      | WJ522800             | PB Spring DC9190B                     | 1 PC             |                     |
| 29      | WJ523400             | HEXAGONAL BOLT6x50 DC9190B            | 1 PC             |                     |
| 3       | WJ580800             | Sound Colum E56 DC9150B               | 1 PC             |                     |
| 30      | WJ523100             | Pedal Clamp DC9190B                   | 1 PC             |                     |
| 31      | WJ520000             | Pedal Bracket DC9190B                 | 1 PC             |                     |
| 32      | WJ519900             | PB Fixed Pin DC9190B                  | 1 PC             |                     |
| 33      | WJ519300             | Pull Rod Lower DC9190B                | 1 PC             |                     |
| 34      | WJ519100             | Damper Pedal DC9190B                  | 1 PC             |                     |
| 35      | WJ523700             | Pedal Shoulder Screw DC9190B          | 1 PC             |                     |
| 36      | WJ518400             | Caster with Brake DC9190B             | 1 PC             |                     |
| 37      | WJ518600             | Caster without Brake DC9190B          | 1 PC             |                     |
| 38      | WJ523000             | Base Bar Assy DC9190B                 | 1 PC             |                     |
| 39      | WJ518300             | Wing Spring DC9190B                   | 1 PC             |                     |
| 4       | WJ580900             | Sound Colum F57 DC9150B               | 1 PC             | ORDER STOP          |
| 40      | WJ543700             | Hanger Ass'y DC9190B                  | 1 PC             |                     |
| 41      | WJ525900             | Star Nut MFZN2W3 DC9190B              | 1 PC             |                     |
| 42      | WJ525800             | HEXAGONAL NUT4 MFZN2W3 DC9190B        | 1 PC             |                     |
| 43      | WJ523600             | Pedal Pad DC9190B                     | 1 PC             |                     |
| 44      | WJ543500             | Plane Washer 6x13x1.0 MFZN2W3 DC9190B | 1 PC             |                     |
| 45      | WJ523200             | Spring Pin5x35 MFZN2W3 DC9190B        | 1 PC             |                     |

Model Name : DC9150B

| Ref No. | Parts No.(ChangeNo.) | English Name                             | Minimum Delivery | Accept order or not |
|---------|----------------------|--|------------------|---------------------|
| 46      | WJ523300             | Mount Bracket Holing Screw6x6 DC9190B    | 1 PC             |                     |
| 47      | WJ535500             | Damper Board (Upper)Ass'y DC9160B        | 1 PC             |                     |
| 48      | WJ542900             | Truss Head Screw 5x32 MFNI33 DC9190B     | 1 PC             |                     |
| 49      | WJ543400             | Flat Washer DC9190B                      | 1 PC             |                     |
| 5       | WJ581100             | Sound Colum G59 DC9150B                  | 1 PC             |                     |
| 50      | WJ542200             | Cap Nut DC9190B                          | 1 PC             |                     |
| 51      | WJ542300             | Hex Nut DC9190B                          | 1 PC             |                     |
| 52      | WJ541600             | Damper Knob DC9190B                      | 1 PC             |                     |
| 53      | WJ529400             | Damper Rock Pin DC9190B                  | 1 PC             |                     |
| 54      | WJ541500             | Pull Rod Collar DC9190B                  | 1 PC             |                     |
| 55      | WJ541400             | Axis Pin DC9190B                         | 1 PC             |                     |
| 56      | WJ535700             | Damper Board (Middle)Ass'y DC9160B       | 1 PC             |                     |
| 57      | WJ536200             | Damper Cloth 1 DC9190B                   | 1 PC             |                     |
| 58      | WJ536300             | Damper Cloth 2 DC9190B                   | 1 PC             |                     |
| 59      | WJ536400             | Damper Cloth 3 DC9190B                   | 1 PC             |                     |
| 6       | WJ581300             | Sound Colum A61 DC9150B                  | 1 PC             |                     |
| 60      | WJ529300             | Guide Pin DC9190B                        | 1 PC             |                     |
| 61      | WJ543500             | Plane Washer 6x13x1.0 MFZN2W3 DC9190B    | 1 PC             |                     |
| 62      | WJ541200             | Damper Spring DC9190B                    | 1 PC             |                     |
| 63      | WJ528600             | ToggleLink Assy DC9190B                  | 1 PC             |                     |
| 64      | WJ529800             | Pan Head Screw 5x16 MFNI33 DC9190B       | 1 PC             |                     |
| 65      | V4508500             | Spring Washer 5 MFNI33 DC9190B           | 1 PC             |                     |
| 66      | WJ528500             | Right Damper Holder DC9190B              | 1 PC             |                     |
| 67      | W7145060             | CLOTH WASHER CH-500 DC91xxB              | 1 PC             |                     |
| 68      | WJ529600             | Damper Spring Collar DC9190B             | 1 PC             |                     |
| 69      | WJ529500             | Damper PN LNK Spring DC9190B             | 1 PC             |                     |
| 7       | WJ581500             | Sound Colum B63 DC9150B                  | 1 PC             |                     |
| 70      | WJ535900             | Damper Board (Lower)Ass'y DC9160B        | 1 PC             |                     |
| 71      | WJ530300             | Spring Guide Pin DC9190B                 | 1 PC             |                     |
| 72      | WJ530100             | Left Damper Holder DC9190B               | 1 PC             |                     |
| 74      | WJ541300             | Damper Rod DC9190B                       | 1 PC             |                     |
| 75      | WJ536100             | Damper Cloth DC9160B                     | 1 PC             |                     |
| 76      | WJ542100             | Mount Bracket HoldingScrew3x5 MFNI33 DC9 | 1 PC             |                     |
| 77      | W7140060             | WASHER (2) CH-500 DC91xxB                | 1 PC             |                     |
| 78      | WJ529700             | Spring Straight Pin2x12 MFZN2W3 DC9190B  | 1 PC             |                     |
| 79      | WJ536500             | Stop Plate DC9190B                       | 1 PC             |                     |
| 8       | WJ581600             | Sound Colum C64 DC9150B                  | 1 PC             |                     |
| 80      | WJ539600             | Flat Head Screw2.5x10 MFZN2W3 DC9190B    | 1 PC             |                     |
| 81      | V4508700             | Spring Washer 5 MFNI33 DC9190B           | 1 PC             |                     |
| 9       | WJ581800             | Sound Colum D66 DC9150B                  | 1 PC             |                     |