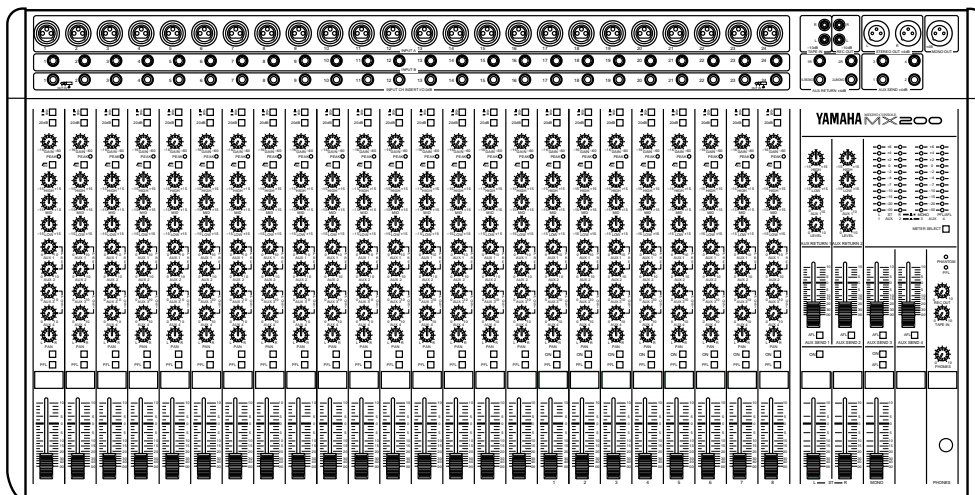


YAMAHA

MIXING CONSOLE
TABLE DE MIXAGE
MISCHPULTE
CONSOLA DE MEZCLA

MX 2000-8
MX 2000-12
MX 2000-16
MX 2000-24

Operation Manual
Manuel d'instructions
Bedienungsanleitung
Manual de Operación



Introduction

Thank you for purchasing a Yamaha MX200 Mixing Console. The MX200 series provides an excellent balance of operability, functionality and ease of use. In order to take full advantage of the MX200's capabilities and enjoy years of trouble-free use, please read this manual carefully.

Features

- The MX200-8 provides 8 channels of input (the MX200-12 has 12 channels, the MX200-16 has 16 channels, and the MX200-24 has 24 channels) that can be mixed down to a stereo signal.
- The MONO OUT output provides a convenient connection for a sub amp for monitoring, or for checking phase cancellation.
- The PFL (Pre Fader Listen) function allows you to monitor any input channel before the channel fader.
- The AFL (After Fader Listen) function allows you to monitor the output signal from ST OUT L,R, MONO OUT or AUX SEND through headphones at any time.
- XLR type connectors are provided for the INPUT A jacks and phone connectors are provided for the INPUT B jacks, allowing easy connections with a variety of input sources. The inputs can accept levels ranging from microphones to line level devices.
- Phantom power is provided for easy connection of condenser microphones requiring an external power supply.
- Each input channel has an INPUT CH INSERT I/O jack, allowing you to connect effect devices independently for each channel.
- Four AUX SEND systems and two stereo AUX RETURN systems are provided. Even when two 1-in/2-out effect devices are connected, two more AUX SEND systems are still available for use.
- The TAPE IN and REC OUT jacks provide convenient connections for tape deck playback and recording.

Contents

Precautions	1
Control panel	2
Channel control section	2
Master control section	4
Connectors	6
Rear panel	7
Application Example	8
Specifications	9
General specifications	9
Input specifications	10
Output specifications	10
Block and level diagrams	11
Dimensions	12

Precautions

1. Avoid Excessive Heat, Humidity, Dust and Vibration

Keep the unit away from locations where it is likely to be exposed to high temperatures or humidity — such as near radiators, stoves, etc. Also avoid locations which are subject to excessive dust accumulation or vibration which could cause mechanical damage.

2. Ventilation

The unit has ventilation slots on the side and bottom panels. Do not block these vents.

3. Avoid Physical Shocks

Strong physical shocks to the unit can cause damage. Handle it with care.

4. Do Not Open the Case or Attempt Repairs or Modifications Yourself

This product contains no user-serviceable parts. Refer all maintenance to qualified Yamaha service personnel. Opening the case and/or tampering with the internal circuitry voids the warranty.

5. Always power off before making connections

Always turn the power OFF before connecting or disconnecting cables. This is important to prevent damage to the unit itself as well as other connected equipment.

6. Handle Cables Carefully

Always plug and unplug cables — including the AC power cord — by gripping the connector, not the cord.

7. Clean With a Soft Dry Cloth

Never use solvents such as benzine or thinner to clean the unit. Wipe clean with a soft, dry cloth.

8. Always Use the Correct Power Supply

Make sure that the power supply voltage specified on the rear panel matches your local AC mains supply. Also make sure that the AC mains supply can deliver more than enough current to handle all equipment used in your system.

Dette apparat overholder det gældende EF-direktiv vedrørende radiostøj.

Cet appareil est conforme aux prescriptions de la directive communautaire 87/308/CEE.

Diese Geräte entsprechen der EG-Richtlinie 82/499/EWG und/oder 87/308/EWG.

This product complies with the radio frequency interference requirements of the Council Directive 82/499/EEC and/or 87/308/EEC.

Questo apparecchio è conforme al D.M.13 aprile 1989 (Direttiva CEE/87/308) sulla soppressione dei radiodisturbi.

Este producto está de acuerdo con los requisitos sobre interferencias de radio frecuencia fijados por el Consejo Directivo 87/308/CEE.

YAMAHA CORPORATION

IMPORTANT NOTICE FOR THE UNITED KINGDOM

Connecting the Plug and Cord

IMPORTANT: The wires in this mains lead are coloured in accordance with the following code:

BLUE	: NEUTRAL
BROWN	: LIVE

As the colours of the wires in the mains lead of this apparatus may not correspond with the coloured markings identifying the terminals in your plug, proceed as follows:

The wire which is coloured BLUE must be connected to the terminal which is marked with the letter N or coloured BLACK.

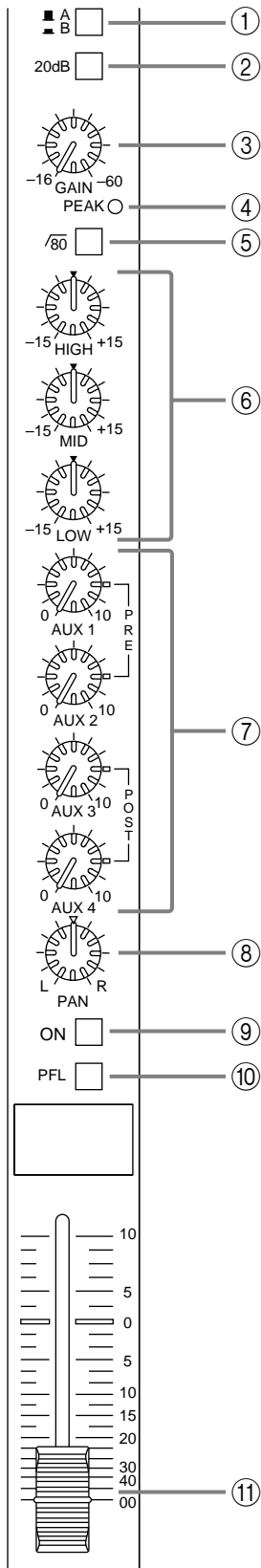
The wire which is coloured BROWN must be connected to the terminal which is marked with the letter L or coloured RED.

Making sure that neither core is connected to the earth terminal of the three pin plug.

* This applies only to products distributed by YAMAHA KEMBLE MUSIC (U.K.) LTD.

Control panel

Channel control section



① Input selector

This button selects the input connector for the channel.

When A (■) is selected, the input signal will be taken from the rear panel INPUT A connector (balanced XLR type). When B (■) is selected, the input signal will be taken from the rear panel INPUT B connector (balanced phone jack).

② PAD switch

This pad switch provides 20dB of level reduction.

If the input signal level is too high and the ③ GAIN control will not reduce it sufficiently, use this pad switch.

③ GAIN control

According to the level of the input signal, use this knob to adjust the input to an appropriate level.

The best balance of S/N and dynamic range will be achieved if you adjust the GAIN control so that the ④ peak indicator lights occasionally. If you wish to further reduce the input level, use the ② PAD switch.

④ PEAK indicator

This indicator detects peak levels after the EQ.

It will light red at 3dB before clipping to warn that clipping level has nearly been reached.

⑤ 80Hz high-pass filter switch

This switch turns on/off a high-pass filter that cuts the signal below 80Hz at 12dB/octave.

⑥ Equalizer

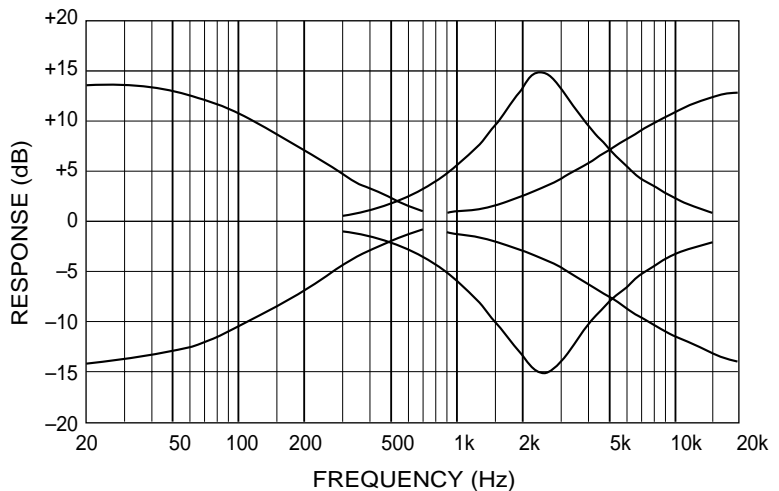
The equalizer section provides ± 15 dB of control over the high, mid and low ranges at the following frequencies.

HIGH: 12kHz

MID: 2.5kHz

LOW: 80Hz

Frequency response will be flat when the knob is at the “▼” position.



⑦ **AUX1–4 controls**

These knobs control the level of the signals sent to the AUX buses.

- The AUX1 and AUX2 controls are pre-fader, and the signal levels sent to the AUX 1 and 2 buses will be unaffected by the channel fader setting.
- The AUX3 and AUX 4 controls are post-fader, and the signal levels sent to the AUX 3 and 3 buses will be affected by the channel fader setting.

⑧ **PAN (panpot) control**

This knob assigns the signal of each channel to the STEREO L, R bus, determining the stereo position of the sound.

⑨ **Channel ON switch**

When this switch is on, the signal of each channel will be sent to the STEREO L, R bus and the AUX1–4 buses.

When this switch is off, the output signal to each bus will be muted completely. This switch should be turned off for unused channels.

⑩ **Channel PFL switch**

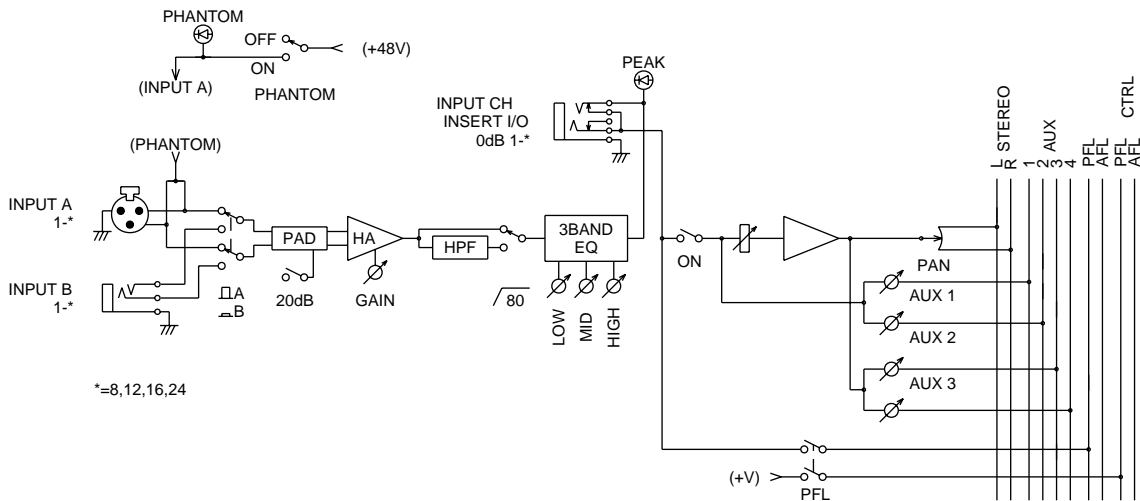
This switch allows you to monitor the pre-fader channel input signal through headphones.

It is convenient to use PFL when you wish to check the sound of the input signal, or when troubleshooting a specific channel.

⑪ **Channel fader**

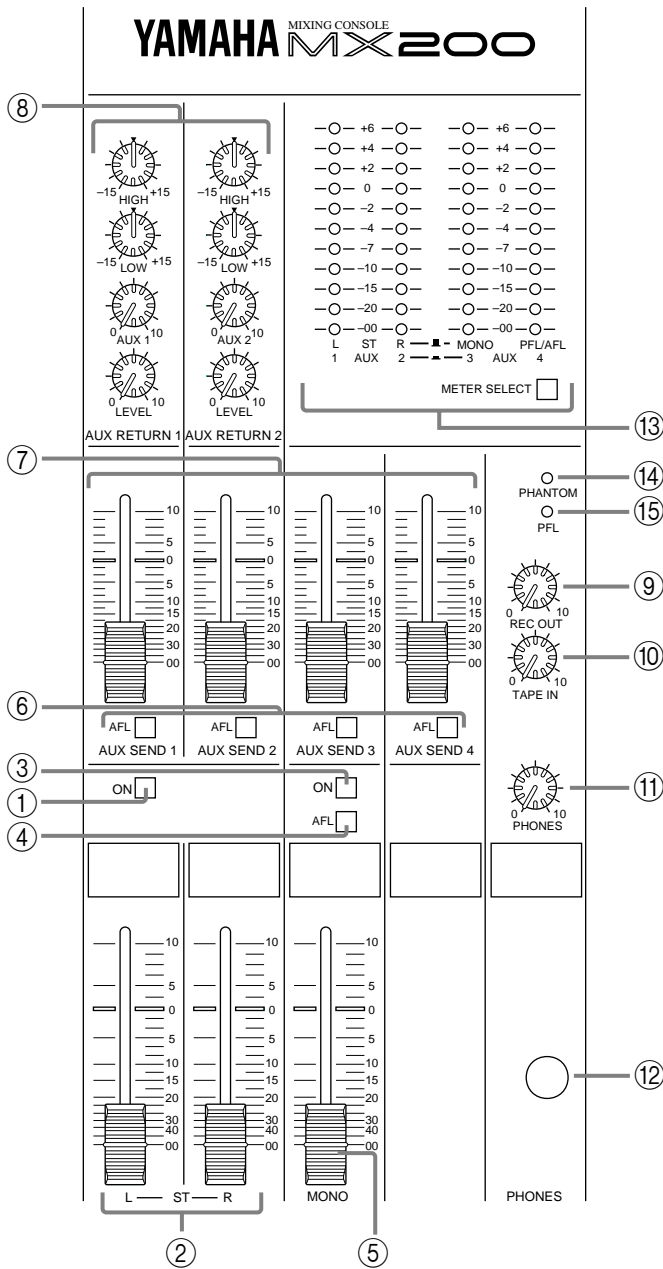
This fader controls the output level of the input channel signal, determining the volume balance between channels.

The channel fader should be lowered for unused channels.



*=8,12,16,24

■ Master control section



① STEREO ON switch

This switch turns the ST OUT output on/off.

When this switch is off, levels will not be displayed in the ST meters. The MONO OUT signal will be sent regardless of this switch.

② STEREO L, R master faders

These faders adjust the final level of the combined signals from all channels, and send them from the STEREO OUT connectors.

The ST meters allow you to monitor the L and R outputs.

③ MONO ON switch

This switch turns the MONO OUT on/off.

④ MONO AFL switch

When this switch is on, the signal being output to MONO OUT can be monitored in the headphones.

⑤ MONO fader

This fader adjusts the output level of the MONO OUT connector.

⑥ AUX SEND 1-4 AFL switches

When you wish to monitor the output signals being sent to AUX SEND 1-4, press the appropriate switch.

The level of the AUX SEND whose switch is on will be indicated by the PFL/AFL meter.

⑦ AUX SEND faders

These faders adjust the level of the output signals sent from AUX SEND 1-4.

The ⑧ METER SELECT switch can be set so that these AUX SEND signals are monitored in the level meters.

⑧ AUX RETURN 1, 2 controls

<LEVEL>

The LEVEL knobs control the level at which signals from effect units etc. connected to the L/MONO, R jacks of AUX RETURN 1, 2 are sent to the L, R bus.

If a plug is inserted into only the L/MONO jack, the same signal will be sent to both L and R buses.

<AUX1 (AUX2)>

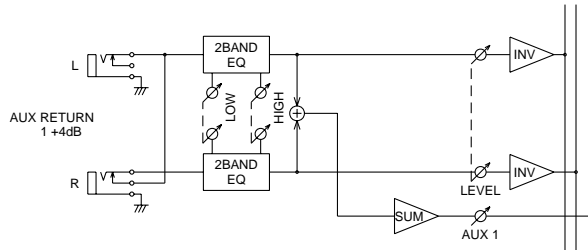
The AUX1 knobs control the level at which signals from effect units etc. connected to the L/MONO, R jacks of AUX RETURN 1, 2 are sent to the AUX SEND 1 (2) fader. After being adjusted at the fader, the signal is output from the rear panel AUX SEND 1 (2).

<LOW>

This knob is a low frequency equalizer that provides 80Hz shelving equalization of the signal input at AUX RETURN.

<HIGH>

This knob is a high frequency equalizer that provides 12kHz shelving equalization of the signal input at AUX RETURN.



⑨ REC OUT control

This knob adjusts the output level of the REC OUT jacks (connector ⑤) connected to a tape deck, etc.

⑩ TAPE IN control

This knob adjusts the monitor volume of a tape deck etc. connected to the TAPE IN jacks.

⑪ PHONES control

This knob adjusts the volume of a set of headphones connected to the headphone jack (PHONES).

⑫ PHONES jack

Connect the headphones here.

You can monitor the following signals:

— **Signals available for monitoring** —

- The main signal output to the ST OUT jacks (Turn off all PFL and AFL switches.)

- The signals input to each input channel and processed through the 3-band EQ and the INPUT CH INSERT I/O jack (Turn on a channel PFL switch.)
- The signal output to MONO OUT (Turn on the MONO OUT AFL switch.)
- The AUX signals output from each AUX SEND 1-4 jack (Turn on an AUX SEND 1-4 AFL switch.)

⑬ METER SELECT switch and meter section

The meters are dual-function LED meters that indicate signal levels as selected by the METER SELECT switch.

<When METER SELECT is OFF>

- STEREO L,R displays the output levels of the STEREO OUT jacks.
- MONO OUT level displays the output level of the MONO OUT jack.
- PFL/AFL level displays the input level of the channel whose PFL switch is on, or the output level of the ST, MONO OUT, or AUX SEND jack whose AFL switch (master control section ④, ⑥) is on.

<When METER SELECT is ON>

- AUX SEND 1-4 displays the level of the AUX signals output to the AUX SEND 1-4 jacks.

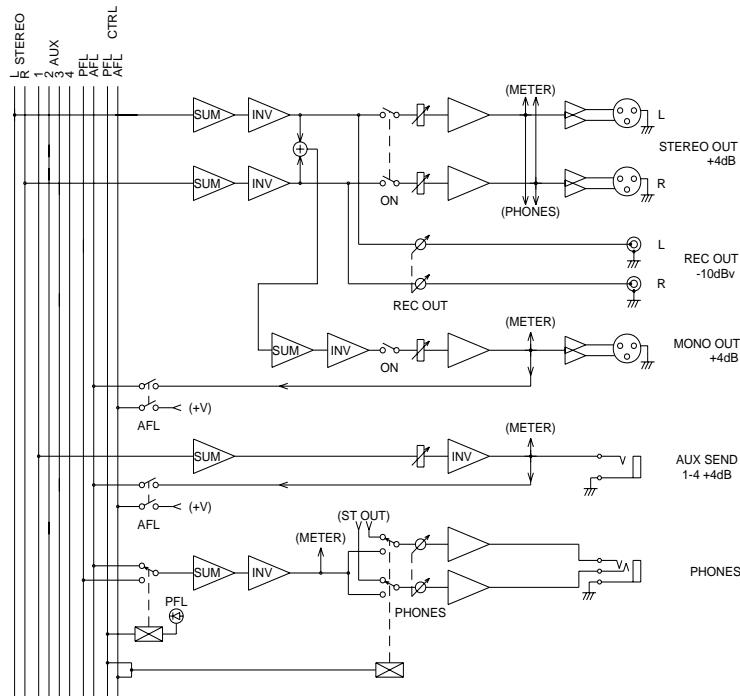
⑭ PHANTOM indicator

This indicator will be lit when the PHANTOM switch (rear panel ②) is on.

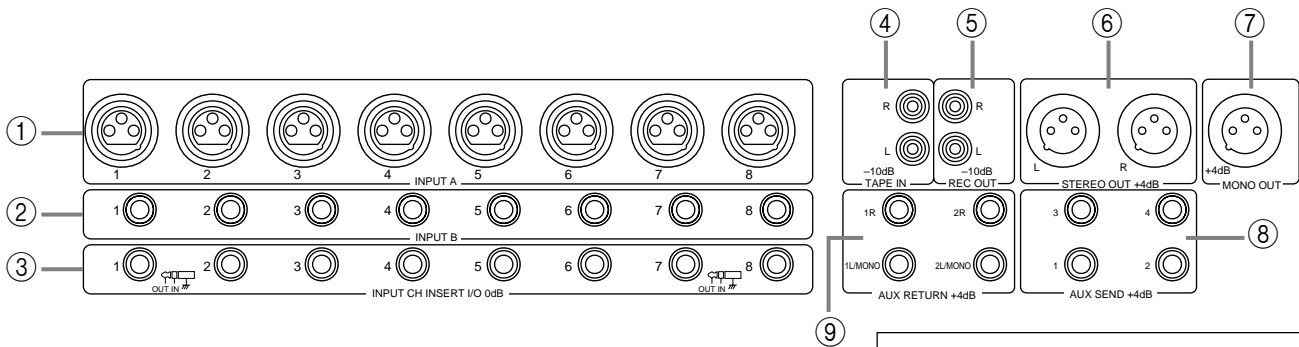
⑮ PFL indicator

This indicator will be lit when any of the channel PFL switches (channel control section ⑩) is on.

At this time, the PFL/AFL meter in the meter section will indicate the level of the channel whose PFL switch is on.



■ Connectors



MICROPHONE CABLES AND MICROPHONES CONNECTION

TO PREVENT HAZARD OR DAMAGE, ENSURE THAT ONLY MICROPHONE CABLES AND MICROPHONES DESIGNED TO THE IEC268-15A STANDARD ARE CONNECTED.

① INPUT A

These are XLR type connectors.

(1: sleeve, 2: hot, 3: cold)

Microphones of 50–600Ω or 600Ω line level devices can be connected here.

When the PHANTOM switch (rear panel ②) is turned on, DC+48V will be supplied to pins 2 and 3 of these connectors.

② INPUT B

These are balanced phone connectors.

(T: hot, R: cold, S: sleeve)

Microphones of 50–600Ω or 600Ω line level devices can be connected here.

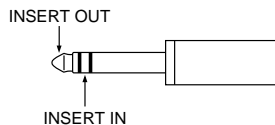
Unbalanced phone plugs can also be connected, however, noise may occur with long cables, or cables subjected to strong electromagnetic fields caused by radio and TV broadcasts.

③ INPUT CH INSERT I/O 0dB

These are input/output jacks located between the head amp and the equalizer of the input channel section.

The nominal input level and impedance is 0dB/600Ω, and the nominal output level and impedance is 0dB/10kΩ.

These jacks allow you to insert your own graphic equalizers, compressors, noise filters, or other devices.



④ TAPE IN

Your DAT or cassette deck can be directly connected here for convenient monitoring. Use the TAPE IN control (master control section ⑩) to adjust the level.

⑤ REC OUT

Your DAT or cassette deck can be connected here to record the audio signal from STEREO OUT.

In this case, the final output level is adjusted by the REC OUT control (master control section ⑨), and the STEREO L,R fader settings will have no affect.

⑥ STEREO OUT (L, R)

This is the stereo output of the combined audio signals. Connect these jacks to the power amp that drives your main speakers.

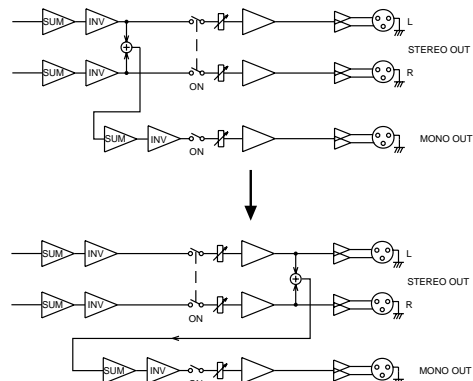
Alternatively, you can record the output from these jacks if you wish to use the STEREO L,R faders to adjust the audio level being recorded.

⑦ MONO OUT

This is the MONO OUT output jack. The MONO OUT can be used for simple recordings of a live performance, for driving a sub power amp, or to check for phase cancellation.

An internal jumper can be reconnected to change the location of the MONO OUT to post-ST fader. If this is done, the MONO OUT signal will be affected by the STEREO ON switch.

Internal jumper wires can be changed to move the MONO OUT signal so that it is taken after the ST fader. If you would like this change to be made, consult with your dealer.



⑧ **AUX SEND (1, 2, 3, 4)**

These are unbalanced jacks with a nominal output and impedance of +4dB/600Ω. (AUX 1 and 2 are pre-fader, and AUX 3 and 4 are post-fader.)

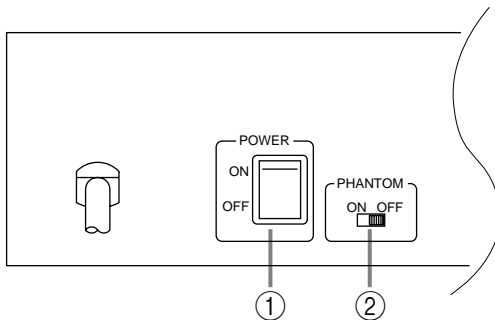
⑨ **AUX RETURN (1L/MONO, 1R, 2L/MONO, 2R)**

These are unbalanced jacks with a nominal input level and impedance of +4dB/10 kΩ.

These jacks are usually used to receive the audio returned from an effect unit such as reverb or delay, but they can also be used as supplementary inputs.

If a plug is inserted only in L/MONO, the same signal will be sent to both the L and R buses.

Rear panel



① **POWER switch**

This switch turns on the power of the mixer.

When turning off the power of audio equipment, it is important to start with the device closest to the speakers. (Normally, this will be the power amp.)

② **PHANTOM switch**

This switch turns on/off the phantom power supply for all channels.

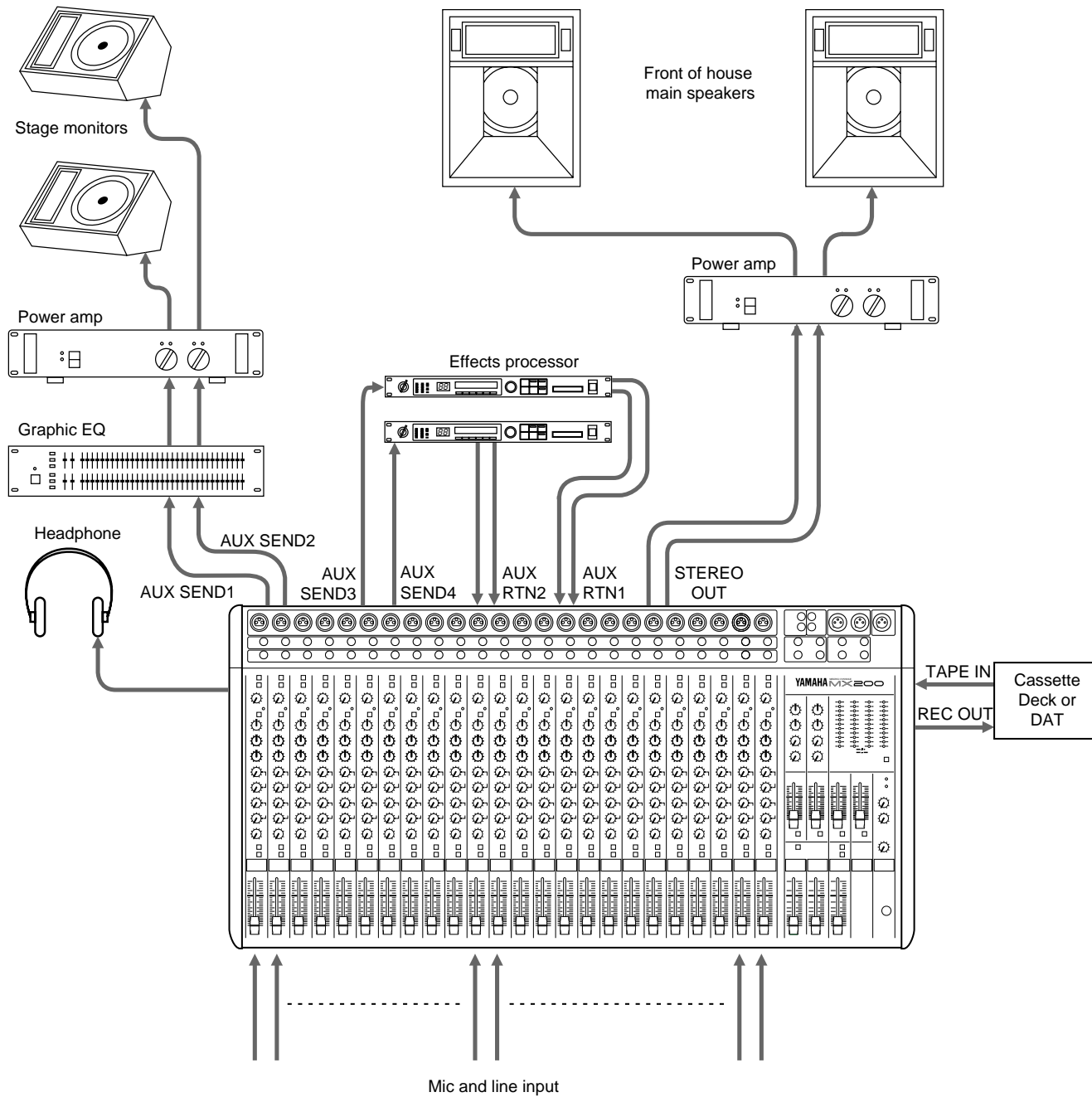
Use this switch when you are using condenser microphones.

When this switch is turned on, DC +48V will be supplied to pins 2 and 3 of each INPUT A XLR connector.

If you do not need phantom power, be sure to leave this turned off.

* It is safe to connect balanced dynamic microphones or line level devices even if this switch is left on, but connecting unbalanced devices or devices whose transformers are center-grounded will cause hum or malfunctions.

Application Example



Specifications

■ General specifications

Maximum output level	+24dB (STEREO L/R) @600Ω, 0.5% THD at 1kHz +24dB (MONO OUT) @600Ω, 0.5% THD at 1kHz +20dB (AUX SEND) @600Ω, 0.5% THD at 1kHz	
Total harmonic distortion	< 0.1% @+14dB 20Hz–20kHz (ST L/R, MONO, AUX SEND @600Ω)	
Frequency response	20Hz–20kHz +1dB, –2dB (ST L/R, MONO, AUX SEND @600Ω)	
Hum and noise (Average, Rs=150Ω) (Measured with DIN AUDIO)	–127dB equivalent input noise	
	–95dB residual output noise (STEREO L/R, MONO)	
	–95dB residual output noise (AUX SEND 1–4)	
	–88dB (STEREO, MONO)	Master fader at nominal level, and all channel assign switches off.
	–63dB (67dB S/N) (STEREO, MONO)	Master fader and one channel fader at nominal level.
	–78dB (AUX SEND 1–4)	AUX SEND master fader at nominal level, and all channel assign switches off.
	–63dB (67dB S/N) (AUX SEND 1–4)	AUX SEND master fader and one channel AUX at nominal level.
Maximum voltage gain	84dB CH IN to STEREO OUT 84dB CH IN to MONO OUT 80dB CH IN to AUX SEND 1, 2 90dB CH IN to AUX SEND 3, 4 16dB AUX RETURN 1, 2 to STEREO OUT 16dB AUX RETURN 1, 2 to AUX SEND 1, 2 28dB TAPE In 1, 2 to STEREO OUT	
Crosstalk at 1kHz	–70dB between input channels –70dB between output channels	
Gain control (input channel) Pad switch (input channel)	44dB variable (–60– –16dB) 0/20dB	
Input channel equalization	±15dB maximum boost or cut HIGH: 12kHz shelving MID: 2.5kHz peaking LOW: 80Hz shelving * Turnover/rolloff frequencies: located 3dB below maximum boost/cut	
LED meters	10-segment LED × 4 POWER (–∞) STEREO L/AUX SEND 1 (switchable) STEREO R/AUX SEND 2 (switchable) MONO/AUX SEND 3 (switchable) PFL or AFL/AUX SEND 4 (switchable)	
Channel peak indicators	An indicator for each channel turns on when the pre-channel fader signal is 3dB below clipping.	
Phantom power	+48V, DC	
Power supply/Power consumption		
US and Canadian model	MX200-8 120V AC 60Hz 45W, MX200-16 120V AC 60Hz 65W,	MX200-12 120V AC 60Hz 55W MX200-24 120V AC 60Hz 80W
General model	MX200-8 230V AC 50Hz 45W, MX200-16 230V AC 50Hz 65W,	MX200-12 230V AC 50Hz 55W MX200-24 230V AC 50Hz 80W
British model	MX200-8 240V AC 50Hz 45W, MX200-16 240V AC 50Hz 65W,	MX200-12 240V AC 50Hz 55W MX200-24 240V AC 50Hz 80W

Dimensions (W × H × D)	449 × 124.6 × 461.7 mm MX200-8 569 × 124.6 × 461.7 mm MX200-12 689 × 124.6 × 461.7 mm MX200-16 929 × 124.6 × 461.7 mm MX200-24
Weight	9.5kg MX200-8 11kg MX200-12 13.5kg MX200-16 17kg MX200-24

0dB=0.775 Vrms

■ Input specifications

Input connectors			Input impedance	Nominal impedance	Input level			Connector type
PAD	Gain trim	Sensitivity			Nominal level	Max. before clipping		
CH Input	OFF (0dB)	-60	4kΩ	50–600Ω mic &	-80dB (77.5μV)	-60dB (775μV)	-40dB (7.75mV)	INPUT A XLR 3-31 type balanced
		ON (20dB)			-16	-36dB (12.3mV)	-16dB (123mV)	
					-16dB (123mV)	+4dB (1.23V)	+24dB (12.3V)	
AUX RETURN (1, 2)			10kΩ	600Ω line	-12dB (195mV)	+4dB (1.23V)	+20dB (7.75V)	Unbalanced phone jack
INSERT IN			5kΩ		-20dB (77.5mV)	0dB (775mV)	+20dB (7.75V)	Phone jack (TRS) T=OUT,R=IN, S=GND
TAPE IN			10kΩ		-26dBV (50.1mV)	-10dBV (316mV)	—	RCA pin jack

0dB=0.775 Vrms
0dBV=1 Vrms

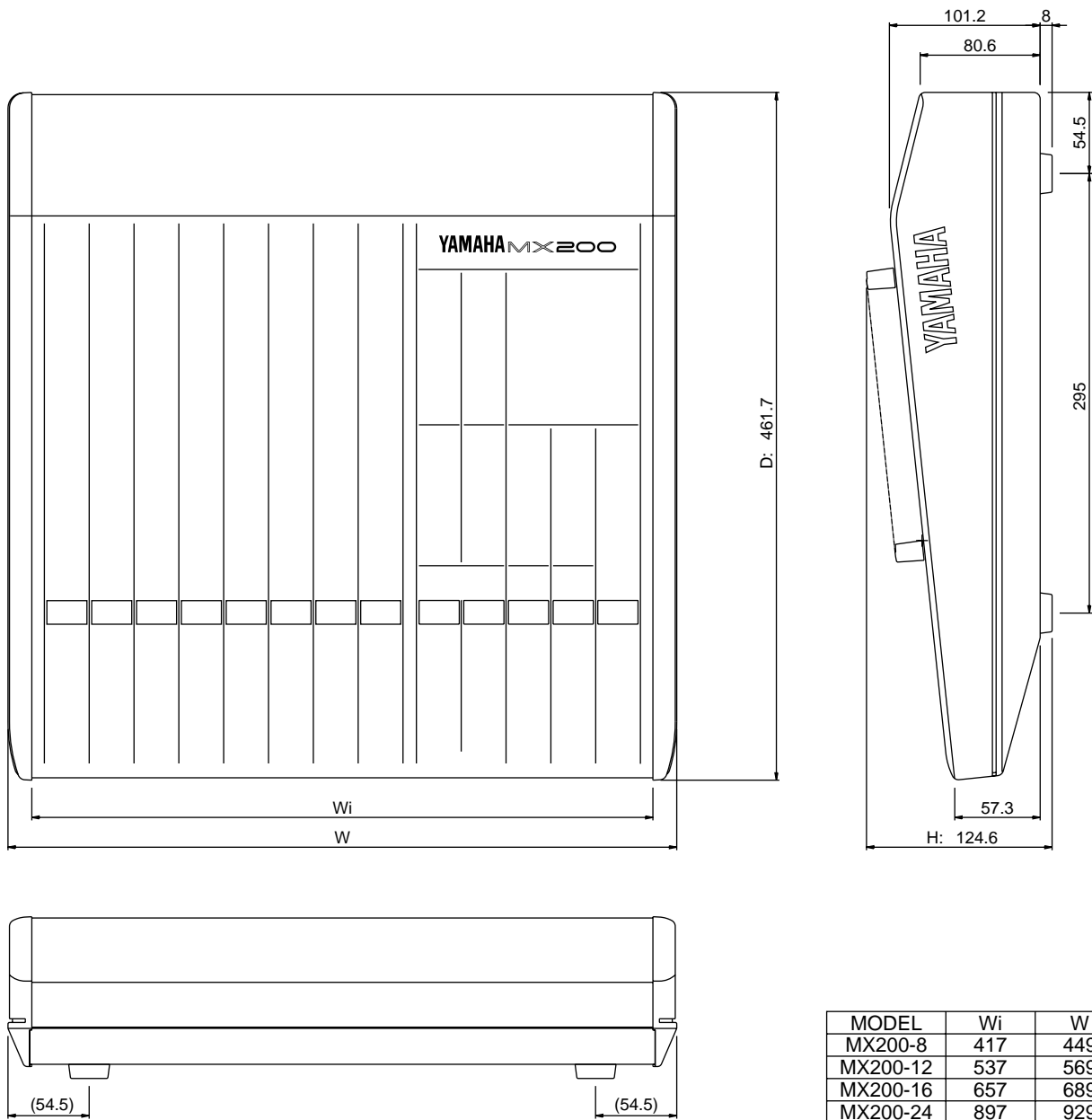
■ Output specifications

Output connector	Output impedance	Nominal impedance	Output level		Connector type
			Nominal	Max. before clipping	
STEREO OUT L/R, MONO OUT	150Ω	600Ω Lines	+4dB(1.23V)	+24dB (12.3V)	XLR-3-32 type
REC OUT L/R	2kΩ	10kΩ Lines	-10dBV (316mV)	+16dBV (6.31V)	RCA pin jack
AUX SEND 1–4	75Ω	600Ω Line	+4dB (1.23V)	+20dB (7.75V)	Phone jack
INSERT OUT	600Ω	10kΩ Line	0dB (775mV)	+20dB (7.75V)	Phone jack (TRS) T=OUT, R=IN, S=GND
PHONES (head phone) OUT	100Ω	40Ω Phones	3mW	120mW	ST phone jack

0dB=0.775 Vrms
0dBV=1 Vrms

Specifications and appearance are subject to change without notice for product improvement.

■ Dimensions



MODEL	W_i	W
MX200-8	417	449
MX200-12	537	569
MX200-16	657	689
MX200-24	897	929

Units: mm

TABLE DE MIXAGE

MX2000-8
MX2000-12
MX2000-15
MX2000-24

Manuel d'instructions

Introduction

Nous vous remercions d'avoir fait l'acquisition d'une console de mixage MX200 Yamaha. La série MX200 apporte un excellent équilibre entre fonctionnalité et facilité d'emploi. Afin de tirer pleinement partie des possibilités du MX200 et de garantir des années d'utilisation sans problème, lire attentivement ce manuel.

Caractéristiques

- Le MX200-8 possède 8 canaux d'entrée (le MX-200-12 possède 12 canaux, le MX200-16 possède 16 canaux, et le MX200-24 possède 24 canaux) qui peuvent être mixés en signal stéréo.
- La sortie mono (MONO OUT) possède une connexion pratique pour un sous-ampli de contrôle, ou pour vérifier l'annulation de phase.
- La fonction PFL (écoute pré-fader) permet de contrôler tout canal d'entrée avant le fader du canal.
- La fonction AFL (écoute post-fader) permet de contrôler le signal de sortie stéréo (ST OUT) G, D (sortie stéréo gauche et droite), de sortie mono (MONO OUT) ou de sortie auxiliaire (AUX SEND) avec un casque à n'importe quel moment.
- Des connecteurs de type XLR sont fournis pour les prises d'entrée (INPUT A) et des connecteurs de casque sont fournis pour les prises d'entrée B (INPUT B), permettant des connexions faciles avec diverses sources d'entrée. Les entrées acceptent des niveaux allant des microphones aux appareils de niveau de ligne.
- L'alimentation fantôme est fournie pour une connexion facile des microphones à condensateur nécessitant une alimentation externe.
- Chaque canal d'entrée possède une prise E/S d'insertion de canal (INPUT CH INSERT I/O), permettant de connecter des processeurs d'effets indépendamment pour chaque canal.
- Quatre systèmes de sortie auxiliaire (AUX SEND) et deux systèmes stéréo de retour auxiliaire (AUX RETURN) sont fournis. Même lorsque deux processeurs d'effets 1-entrée/2-sortie sont connectés, deux systèmes de sortie auxiliaire (AUX SEND) supplémentaires sont toujours disponibles pour l'utilisation.
- Les prises d'entrée cassette (TAPE IN) et de sortie d'enregistrement (REC OUT) permettent des connexions pratiques pour la lecture et l'enregistrement sur platine cassette.

Table des matières

Précautions	1
Panneau de commande	2
Section de contrôle de canal	2
Section de contrôle principale	4
Connecteurs	6
Panneau arrière	7
Exemple d'application	8
Caractéristiques	9
Caractéristiques générales	9
Caractéristiques d'entrée	10
Caractéristiques de sortie	10
Schémas de connexions et de niveaux	11
Dimensions	12

Précautions

1. Evitez tout emplacement excessivement chaud, humide, poussiéreux ou soumis à des vibrations

Ne placez pas l'appareil dans un endroit où il risque d'être exposé à des températures élevées ou une forte humidité (évituez la proximité de radiateurs, poêles, etc). Evitez également les endroits poussiéreux ou soumis à des vibrations qui peuvent être à l'origine de dommages mécaniques.

2. Ventilation

L'appareil est pourvu de fentes d'aération sur les panneaux latéraux et inférieur. Ne bloquez jamais ces fentes.

3. Evitez tout choc

Un choc relativement important peut endommager l'appareil. Maniez-le donc avec soin.

4. N'ouvrez pas le boîtier et n'essayez pas d'effectuer des réparations vous-même

Cet appareil ne contient pas d'élément pouvant être réparé par l'utilisateur. Veuillez donc confier toute réparation à un technicien Yamaha qualifié. Toute tentative d'ouverture du boîtier et de manipulation des circuits internes se soldera par la perte du bénéfice de la garantie.

5. Coupez toujours l'alimentation avant de procéder à des branchements

N'oubliez jamais de mettre les appareils hors tension avant de brancher ou de débrancher des câbles afin de ne pas endommager l'appareil lui-même ainsi que le matériel qui y est branché.

6. Manipulez les câbles avec soin

Pour brancher et débrancher des câbles (y compris le câble d'alimentation), prenez-le toujours par la prise et non par le câble.

7. Nettoyez avec un chiffon doux et sec

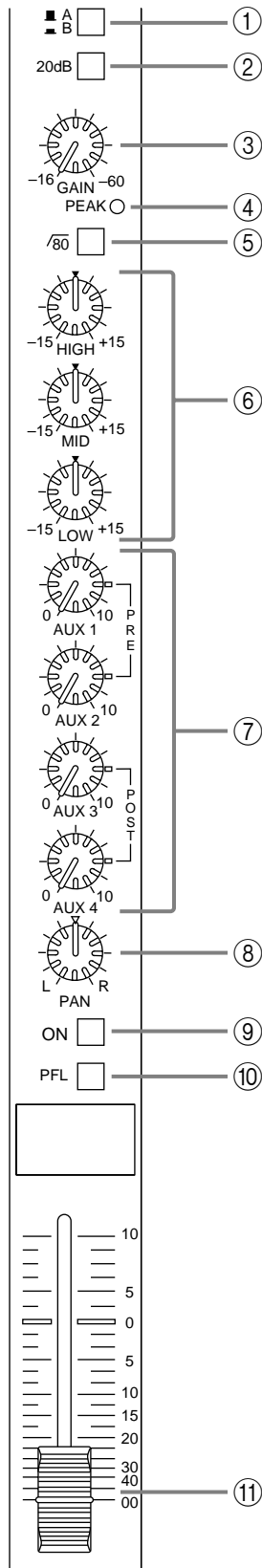
N'utilisez jamais de solvants, tels que du benzène ou un diluant pour nettoyer l'appareil. Prenez les poussières avec un chiffon doux et sec.

8. Utilisez toujours une source d'alimentation adéquate

Assurez-vous que la tension spécifiée sur l'arrière de l'appareil correspond bien à celle de votre secteur et que les prises utilisées peuvent assurer le courant nécessaire pour faire fonctionner tout votre système.

Panneau de commande

■ Section de contrôle de canal



① Sélecteur d'entrée

Cette touche sélectionne le connecteur d'entrée du canal.

Lorsque A (■) est sélectionné, le signal d'entrée est pris à partir du connecteur d'entrée A (INPUT A) (type XLR symétrique) du panneau arrière. Lorsque B (■) est sélectionné, le signal d'entrée est pris à partir du connecteur d'entrée B (INPUT B) (prise casque symétrique).

② Commutateur PAD

Ce commutateur fournit une réduction de niveau de 20dB.

Si le niveau du signal d'entrée est trop élevé et si la commande de GAIN ③ ne le réduit pas suffisamment, utiliser ce commutateur.

③ Commande de GAIN

En fonction du niveau du signal d'entrée, utiliser cette commande pour ajuster l'entrée à un niveau approprié.

Le meilleur équilibre du rapport S/B et de la gamme dynamique est atteint si la commande de GAIN est ajusté de façon à ce que l'indicateur de crête ④ s'allume occasionnellement. Si on veut réduire d'avantage le niveau d'entrée, utiliser le commutateur PAD ②.

④ Indicateur de crête (PEAK)

Cet indicateur détecte les niveaux de crête après l'égaliseur.

Il s'allume en rouge à 3dB avant l'écrtage pour avertir que le niveau d'écrtage est presque atteint.

⑤ Commutateur de filtre passe-haut 80Hz

Ce commutateur active/désactive le filtre qui coupe le signal au-dessous de 80Hz à 12dB/octave.

⑥ Egaliseur

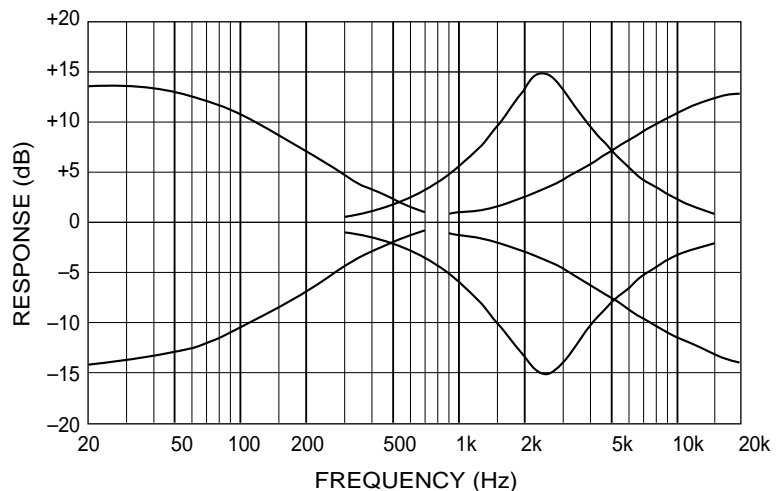
La section égaliseur fournit ± 15 dB pour les gammes haute, médium et basse aux fréquences suivantes:

HIGH (haut): 12kHz

MID (médium): 2,5kHz

LOW (bas): 80Hz

La réponse en fréquence est plate lorsque la commande est à la position "▼".



⑦ **Commandes auxiliaires (AUX1-4)**

Ces commandes contrôlent le niveau des signaux envoyés aux bus AUX.

- Les commandes AUX1 et AUX2 sont pour les pré-faders, et les niveaux de signaux envoyés aux bus AUX 1 et aux 2 bus ne sont pas affectés par le réglage de fader du canal.
- Les commandes AUX3 et AUX4 sont pour les post-faders, et les niveaux des signaux envoyés aux bus AUX3 et 3 bus sont affectés par le réglage de fader du canal.

⑧ **Commandes PAN (panpot)**

Cette commande affecte le signal de chaque canal aux bus STEREO G, D, pour déterminer la position stéréo du son.

⑨ **Commutateur d'activation de canal (ON)**

Lorsque ce commutateur est activé, le signal de chaque canal est envoyé aux bus STEREO G, D et aux bus AUX1-4. Lorsque ce commutateur est désactivé, le signal de sortie à chaque bus est rendu complètement silencieux. Ce commutateur doit être désactivé pour les canaux inutilisés.

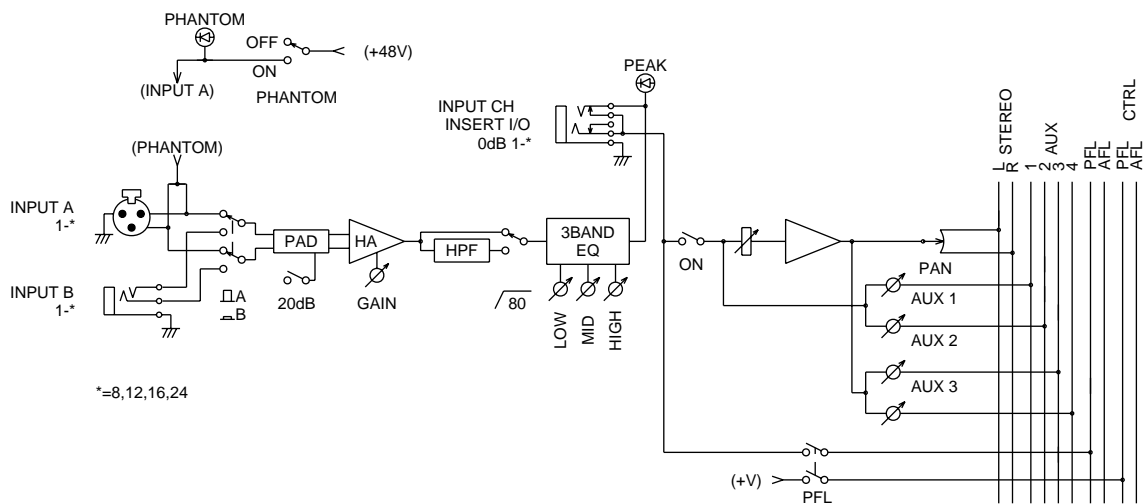
⑩ **Commutateur de canal PFL**

Ce commutateur permet de contrôler le signal d'entrée de canal du pré-fader avec le casque.

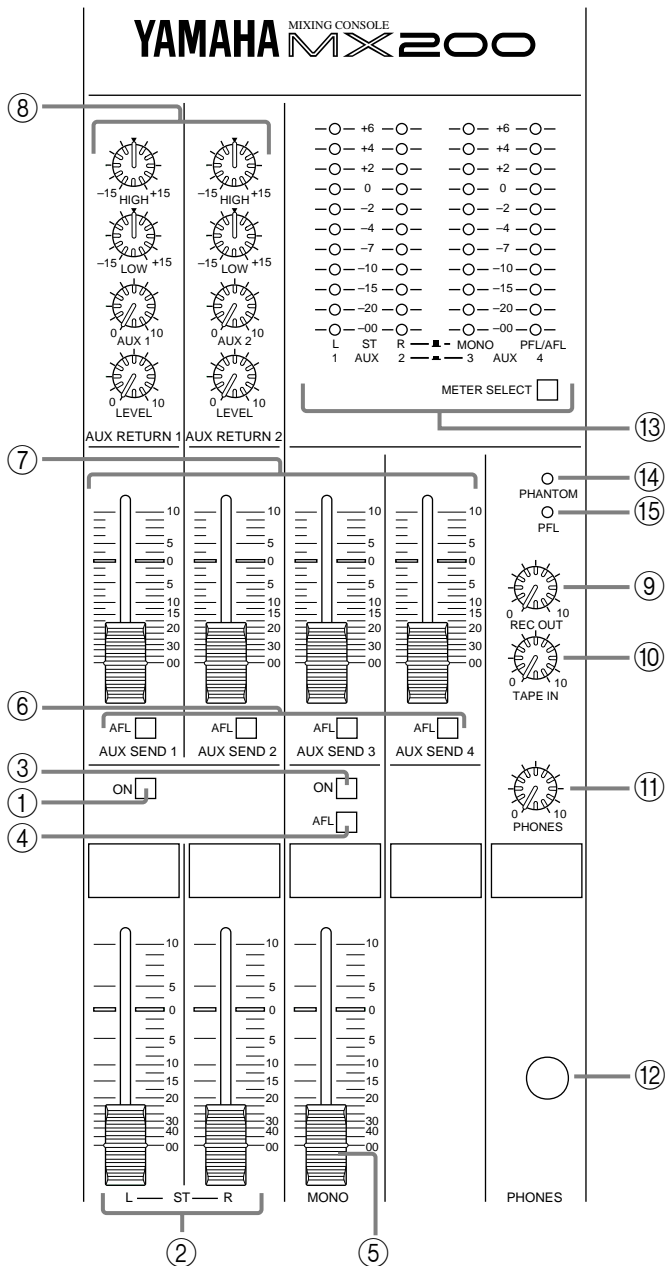
Il est commode d'utiliser le commutateur PFL lorsqu'on veut vérifier le son du signal d'entrée, ou lors du dépiage d'une panne d'un canal spécifique.

⑪ **Fader de canal**

Ce fader contrôle le niveau de sortie du signal d'entrée du canal, pour déterminer l'équilibre de volume entre les canaux. Le fader de canal doit être diminué pour les canaux inutilisés.



■ Section de contrôle principale



① Commutateur d'activation stéréo (STEREO ON)

Ce commutateur active/désactive la sortie stéréo (ST OUT). Lorsque ce commutateur est désactivé, les niveaux ne sont pas affichés sur les vu-mètres stéréo (ST). Le signal de sortie mono (MONO OUT) est envoyé indépendamment de ce commutateur.

② Faders principaux STEREO G, D

Ces faders ajustent le niveau final des signaux combinés de tous les canaux et les envoient des connecteurs de sortie stéréo (STEREO OUT). Les vu-mètres stéréo (ST) permettent de contrôler les sorties G et D.

③ Commutateur d'activation mono (MONO ON)

Ce commutateur active/désactive la sortie mono (MONO OUT).

④ Commutateur MONO AFL

Lorsque ce commutateur est activé, le signal envoyé à la sortie mono (MONO OUT) peut être contrôlé au casque.

⑤ Fader MONO

Ce fader ajuste le niveau de sortie du connecteur de sortie mono (MONO OUT).

⑥ Commutateurs AFL de sortie auxiliaire (AUX SEND 1-4 AFL)

Lorsqu'on veut contrôler les signaux de sortie envoyés aux sorties auxiliaires 1-4 (AUX SEND 1-4), appuyer sur le commutateur approprié.

Le niveau de la sortie auxiliaire (AUX SEND), dont le commutateur est activé est indiqué par le vu-mètre PFL/AFL.

⑦ Faders de sortie auxiliaire (AUX SEND)

Ces faders ajustent le niveau des signaux de sortie envoyés des sorties auxiliaires (AUX SEND) 1-4.

Le commutateur de sélection de vu-mètre (METER SELECT) ⑧ peut être réglé de façon à ce que ces signaux de sortie auxiliaire (AUX SEND) soient contrôlés par les vu-mètres.

⑧ Commandes de retour auxiliaire 1, 2 (AUX RETURN)

<LEVEL> (niveau)

Les commandes de niveau contrôlent le niveau auquel les signaux de processeurs d'effets, etc. connectés aux prises G/MONO, aux prises D de retour auxiliaire (AUX RETURN) 1, 2 sont envoyés aux bus G, D.

Si une fiche est insérée seulement dans la prise G/MONO, le même signal est envoyé aux deux bus G et D.

<AUX1 (AUX2)>

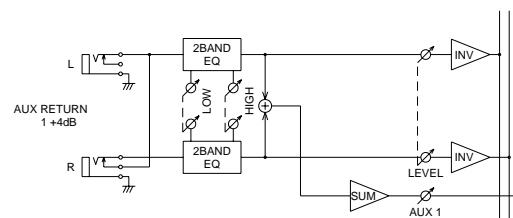
Les commandes AUX1 contrôlent le niveau auquel les signaux de processeurs d'effets, etc. connectés aux prises G/MONO, aux prises D de retour auxiliaire (AUX RETURN) 1, 2 sont envoyés au fader de sortie auxiliaire (AUX SEND) 1 (2). Après l'ajustement au fader, le signal est envoyé de la sortie auxiliaire (AUX SEND) 1 (2) du panneau arrière.

<LOW> (bas)

Cette commande est celle d'un égaliseur basse fréquence qui fournit une égalisation en pente de 80Hz du signal d'entrée à la prise de retour auxiliaire (AUX RETURN).

<HIGH> (haut)

Cette commande est celle d'un égaliseur de haute fréquence qui fournit une égalisation en pente de 12kHz du signal d'entrée à la prise de retour auxiliaire (AUX RETURN).



⑨ **Commande de sortie d'enregistrement (REC OUT)**
 Cette commande ajuste le niveau de sortie des prises de sortie d'enregistrement (REC OUT) (connecteur ⑤ connecté à une platine cassette, etc.

⑩ **Commande d'entrée cassette (TAPE IN)**
 Cette commande ajuste le volume de contrôle d'une platine cassette, etc. connectée aux prises d'entrée cassette (TAPE IN).

⑪ **Commande casque (PHONES)**
 Cette commande ajuste le volume d'une paire d'écouteurs connectés à la prise casque (PHONES).

⑫ **Prise casque (PHONES)**
 Connecter le casque à cette prise.
 Les signaux suivants peuvent être contrôlés:

— Signaux disponibles pour le contrôle —

- La sortie du signal principal aux prises de sortie stéréo (ST OUT). (Désactiver tous les commutateurs PFL et AFL.)
- Les signaux entrés à chaque canal d'entrée et traités par l'égaliseur (EQ) 3 bandes et la prise E/S d'insertion de canal d'entrée (INPUT CH INSERT I/O) (Activer un commutateur PFL de canal.)
- Le signal envoyé à la sortie mono (MONO OUT) (Activer le commutateur AFL de sortie mono (MONO OUT).
- Les signaux de sortie AUX de chaque prise de sortie auxiliaire (AUX SEND) 1-4 (Activer le commutateur AFL de sortie auxiliaire (AUX SEND) 1-4.)

⑬ **Commutateur de sélection de vu-mètre (METER SELECT) et section vu-mètre**
 Les vu-mètres sont des vu-mètres à DEL à double fonction qui indiquent les niveaux des signaux sélectionnés à l'aide du commutateur de sélection de vu-mètre (METER SELECT).

<Lorsque le commutateur de sélection de vu-mètre (METER SELECT) est désactivé (OFF)>

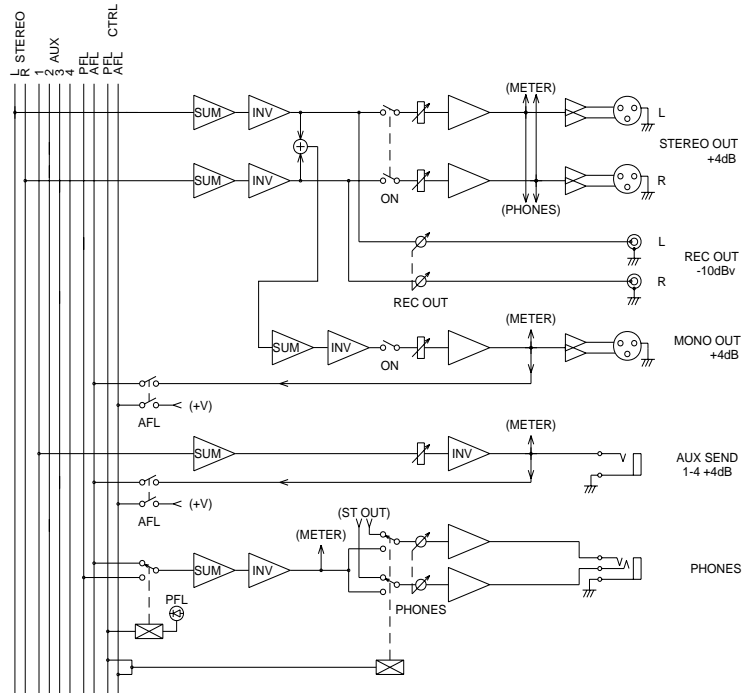
- STEREO G,D affiche les niveaux de sortie des prises de sortie stéréo (STEREO OUT).
- Niveau MONO OUT (sortie mono) affiche le niveau de sortie de la prise de sortie mono (MONO OUT).
- Niveau PFL/AFL affiche le niveau d'entrée du canal dont le commutateur PFL est activé, ou le niveau de sortie de la prise stéréo (ST), de la prise de sortie mono (MONO OUT) ou de la prise de sortie auxiliaire (AUX SEND) dont le commutateur AFL (section de contrôle principale ④, ⑥) est activé.

<Lorsque sélection de vu-mètre (METER SELECT) est activé>

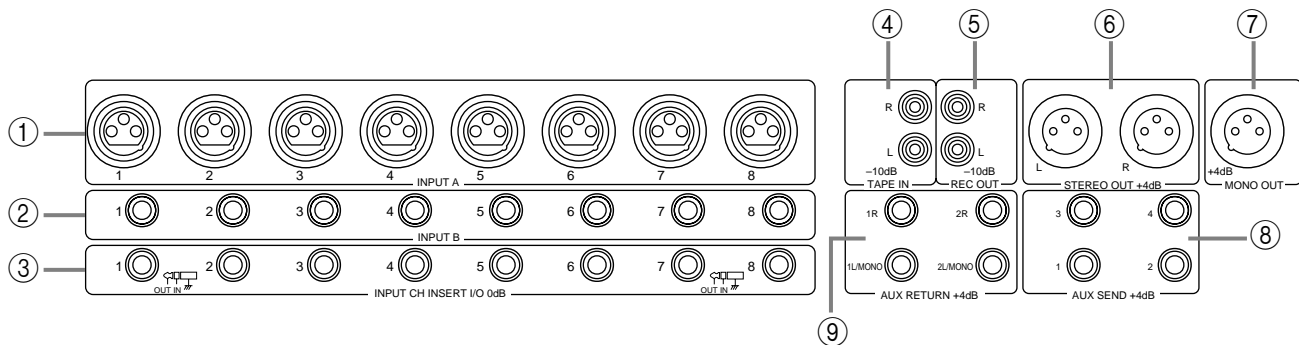
- AUX SEND 1-4 affiche le niveau des signaux AUX envoyés aux prises de sortie auxiliaires (AUX SEND) 1-4.

⑭ **Indicateur fantôme (PHANTOM)**
 Cet indicateur est allumé lorsque le commutateur fantôme (PHANTOM) (panneau arrière ②) est allumé.

⑮ **Indicateur PFL**
 Cet indicateur est allumé lorsqu'un des commutateurs PFL de canal (section contrôle de canal ⑩) allumée). En ce moment là, le vu-mètre PFL/AFL dans la section de vu-mètre indique le niveau du canal dont le commutateur PFL est allumé.



■ Connecteurs



CONNEXIONS DES MICROPHONES ET DE LEURS CÂBLES

POUR ÉVITER TOUT ENDOMMAGEMENT, S'ASSURER DE BRANCHER UNIQUEMENT DES MICROPHONES ET DES CÂBLES DE MICROPHONES CONCUS SELON LA NORME IEC268-15A.

① Entrée A (INPUT A)

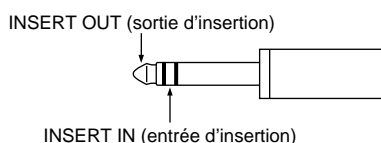
Ce sont des connecteurs de type XLR.
(1: gaine, 2: point chaud, 3: point froid)
Des microphones d'appareils de niveau de ligne de 50–600Ω ou 600Ω peuvent y être connectés.
Lorsque le commutateur fantôme (PHANTOM) (panneau arrière ②) est activé, une tension de +48 V CC est appliquée aux broches 2 et 3 de ces connecteurs.

② Entrée B (INPUT B)

Ce sont des connecteurs de microphone symétriques.
(T: point chaud, R: point froid, S: gaine)
Des microphones d'appareils de niveau de ligne de 50–600Ω ou 600Ω peuvent y être connectés.
Il est également possible d'utiliser des fiches asymétriques. Néanmoins, vous risquez davantage d'obtenir des bruits parasites avec de longs câbles ou des câbles soumis à de forts champs électromagnétiques causés par des radios ou des télévisions.

③ E/S d'insertion d'entrée de canal (INPUT CH INSERT I/O) 0dB

Ce sont des prises d'entrée/sortie situées entre l'ampli de tête et l'égaliseur de la section de canal d'entrée.
Le niveau d'entrée nominal et l'impédance est de 0dB/600Ω et le niveau de sortie nominal et l'impédance est de 0dB/10Ω.
Ces prises permettent d'insérer vos propres égaliseurs graphiques, compresseurs, filtres anti-parasites ou autres éléments.



④ Entrée cassette (TAPE IN)

Votre platine DAT ou platine cassette peut être connectée directement à cette borne pour un contrôle pratique. Utiliser la commande d'entrée cassette (TAPE IN) (section de contrôle principale ⑩) pour ajuster le niveau.

⑤ Sortie d'enregistrement (REC OUT)

Votre platine DAT ou platine cassette peut être connectée à cette borne pour enregistrer le signal audio de la sortie stéréo (STEREO OUT).
Dans ce cas, le niveau de sortie final est ajusté par la commande de sortie d'enregistrement (REC OUT) (section de contrôle principal ⑨) et les réglages de fader STEREO G,D n'ont pas d'effet.

⑥ Sortie stéréo (STEREO OUT) (G,D)

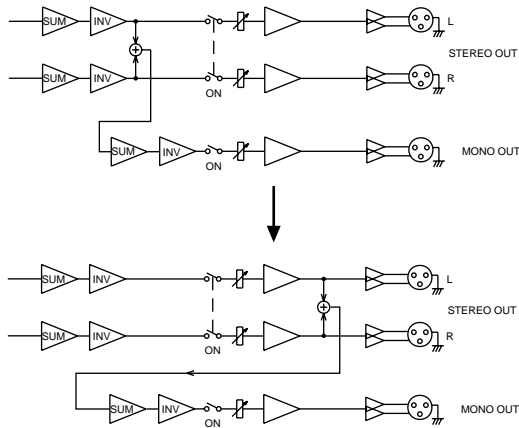
Cette prise est une sortie stéréo des signaux audio combinés. Connecter cette prise à l'ampli de puissance qui entraîne vos enceintes principales.
Alternativement, la sortie peut être enregistrée à partir de ces prises si on veut utiliser les faders STEREO G,D pour ajuster le niveau audio en cours d'enregistrement.

⑦ Sortie mono (MONO OUT)

Cette prise est une sortie mono (MONO OUT). La sortie mono (MONO OUT) peut être utilisée pour des enregistrements simples d'une performance en direct, pour entraîner un sous-ampli de puissance ou pour vérifier une annulation de phase.

Un cavalier interne peut être reconnecté pour changer l'emplacement de la sortie mono (MONO OUT) au post-fader stéréo (ST). Si cette opération est effectuée, le signal de sortie mono (MONO OUT) est affecté par le commutateur stéréo activé (STEREO ON).

Les fils cavaliers internes peuvent être changés pour déplacer le signal de sortie mono (MONO OUT) de façon à ce qu'il soit pris après le fader stéréo (ST). Si on veut effectuer cette modification, consulter votre revendeur.



⑧ Sorties auxiliaires (AUX SEND) (1, 2, 3, 4)

Ces prises sont des prises asymétriques avec une puissance nominale et une impédance de +4dB/600Ω. (AUX 1 et 2 sont pour les pré-faders et AUX 3 et 4 sont pour les post-faders.)

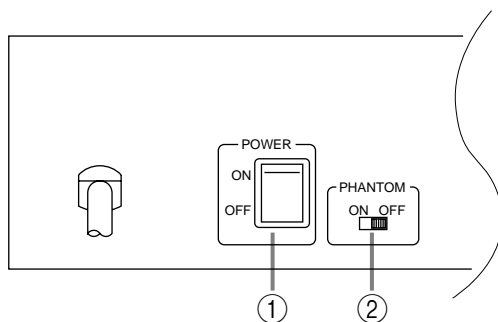
⑨ Retour auxiliaire (AUX RETURN) (1G/MONO, 1D, 2G/MONO, 2D)

Ces prises sont des prises asymétriques avec un niveau d'entrée nominal et une impédance de +4dB/10Ω.

Ces prises sont normalement utilisées pour recevoir l'audio renvoyé d'un processeur d'effets, tel que la réverbération ou le retard, mais elles peuvent également être utilisées comme entrées supplémentaires.

Si une fiche est insérée seulement dans G/MONO, le même signal est envoyé aux deux bus G et D.

Panneau arrière



① Interrupteur d'alimentation (POWER)

Cet interrupteur allume la console de mixage.

Pour éteindre un équipement audio, il est important de commencer par l'appareil situé le plus près des enceintes. (Normalement, il s'agit de l'amplificateur de puissance.)

② Commutateur fantôme (PHANTOM)

Ce commutateur active/désactive l'alimentation fantôme pour tous les canaux.

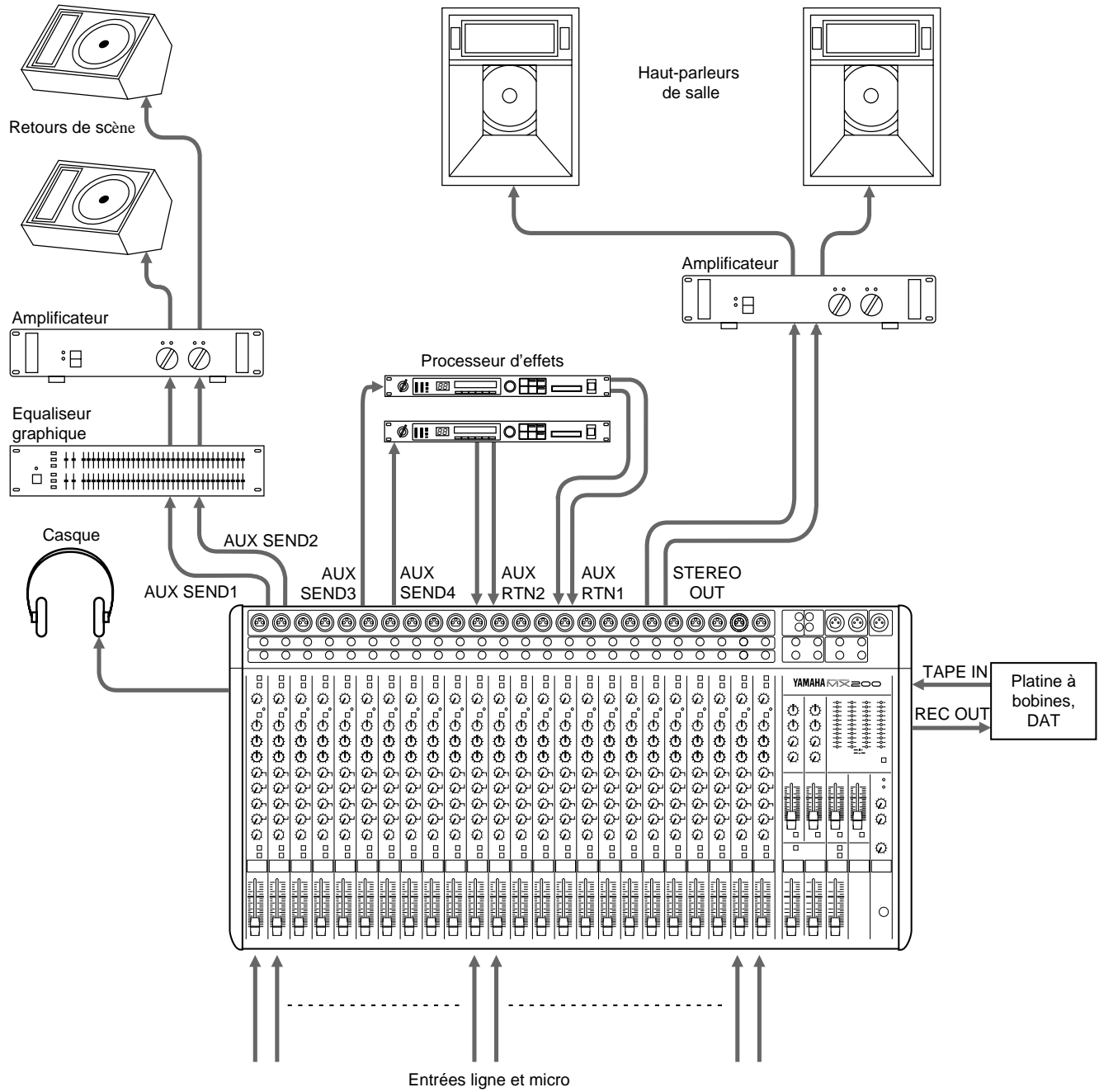
Utiliser ce commutateur lors de l'utilisation de microphones à condensateur.

Lorsque ce commutateur est activé, une tension de +48 V CC est appliquée aux broches 2 et 3 de chaque connecteur d'entrée A (INPUT A) de type XLR.

Si l'alimentation fantôme n'est pas nécessaire, s'assurer de laisser ce commutateur éteint.

- Il est recommandé de connecter les microphones de type dynamique symétriques ou les appareils de niveau de ligne même si ce commutateur est laissé activé, mais le fait de connecter des appareils non équilibrés dont les transformateurs sont mis à la masse au centre provoque un ronflement ou des mauvais fonctionnements.

Exemple d'application



Caractéristiques

■ Caractéristiques générales

Niveau de sortie maximum	+24dB (STEREO L/R) @ 600Ω, DHT 0,5 % à 1kHz +24dB (MONO OUT) @ 600Ω, DHT 0,5 % à 1kHz +20dB (AUX SEND) @ 600Ω, DHT 0,5 % à 1kHz	
Distorsion harmonique totale	< 0,1 % @ +14dB 20Hz–20kHz (ST L/R, MONO, AUX SEND @ 600Ω)	
Réponse en fréquence	20Hz–20kHz +1dB, –2dB (ST L/R, MONO, AUX SEND @ 600Ω)	
Ronflement et bruit (Moyenne, Rs=150Ω) (Mesuré selon la norme DIN AUDIO)	–127dB bruit d'entrée équivalent	
	–95dB bruit de sortie résiduelle (STEREO L/R, MONO)	
	–95dB bruit de sortie résiduelle (AUX SEND 1–4)	
	–88dB (STEREO, MONO)	Fader principal au niveau nominal et tous les commutateurs d'affectation de canal désactivés.
	–63dB (S/B 67dB) (STEREO, MONO)	Fader principal et un fader de canal au niveau nominal.
	–78dB (AUX SEND 1–4)	Fader principal AUX SEND au niveau nominal, et tous les commutateurs d'affectation de signal désactivés.
	–63dB (S/B 67dB) (AUX SEND 1–4)	Fader principal AUX SEND et un canal AUX au niveau nominal.
Gain de tension moyen	84dB entrée de canal (CH IN) à la sortie stéréo (STEREO OUT) 84dB entrée de canal (CH IN) à la sortie mono (MONO OUT) 80dB entrée de canal (CH IN) à la sortie auxiliaire (AUX SEND) 1, 2 90dB entrée de canal (CH IN) à la sortie auxiliaire (AUX SEND) 3, 4 16dB retour auxiliaire (AUX RETURN) 1, 2 à la sortie stéréo (STEREO OUT) 16dB retour auxiliaire (AUX RETURN) 1, 2 à la sortie auxiliaire (AUX SEND) 1, 2 28dB entrée cassette (TAPE IN) 1, 2 à la sortie stéréo (STEREO OUT)	
Diaphonie à 1kHz	–70dB entre canaux d'entrée –70dB entre canaux de sortie	
Contrôle de gain (canal d'entrée) Commutateur PAD (canal d'entrée)	44dB variable (–60– –16dB) 0/20dB	
Egalisation de canal d'entrée	±15dB accentuation ou coupure maximum HIGH (haut): 12kHz en pente MID (médium): 2,5kHz en crête LOW (bas): 80Hz en pente * Fréquences de retournement/transfert: situées 3dB au-dessous de l'accentuation/coupure maximum.	
Vu-mètres	DEL 10 segments × 4 Alimentation (POWER) (–∞) STEREO L/AUX SEND 1 (commutable) STEREO R/AUX SEND 2 (commutable) MONO/AUX SEND 3 (commutable) PFL ou AFL/AUX SEND 4 (commutable)	
Indicateurs de crête de canal	Un indicateur pour chaque canal s'allume lorsque le signal de pré-fader du canal est de 3dB en-dessous de l'écrêtage.	
Alimentation fantôme	+48V, CC	
Alimentation/consommation Modèles USA & canadiens	MX200-8 120V CA 60Hz 45W, MX200-16 120V CA 60Hz 65W,	MX200-12 120V CA 60Hz 55W MX200-24 120V CA 60Hz 80W

Modèle général	MX200-8 230V CA 50Hz 45W, MX200-16 230V CA 50Hz 65W,	MX200-12 230V CA 50Hz 55W MX200-24 230V CA 50Hz 80W
Modèle britannique	MX200-8 240V CA 50Hz 45W, MX200-16 240V CA 50Hz 65W,	MX200-12 240V CA 50Hz 55W MX200-24 240V CA 50Hz 80W
Dimensions (W × H × D)	449 × 124.6 × 461.7 mm 569 × 124.6 × 461.7 mm 689 × 124.6 × 461.7 mm 929 × 124.6 × 461.7 mm	MX200-8 MX200-12 MX200-16 MX200-24
Poids	9.5kg 11kg 13.5kg 17kg	MX200-8 MX200-12 MX200-16 MX200-24

0dB=0.775Vrms

■ Caractéristiques d'entrée

Connecteurs d'entrée			Impédance d'entrée	Impédance nominale	Niveau d'entrée			Type de connecteur
PAD	Ajustement de gain	Sensibilité			Niveau nominal	Max. avant écrêtage		
CH Input (entrée de canal)	OFF (0dB)	-60	4kΩ	50–600Ω mic & Ligne de 600Ω	-80dB (77.5μV)	-60dB (775μV)	-40dB (7.75mV)	INPUT A (entrée A) type XLR-3-31 symétrique INPUT B (entrée B) Prise casque (TRS) T=point chaud, R=froid, S=GND (terre)
	ON (20dB)	-16			-36dB (12.3mV)	-16dB (123mV)	+4dB (1.23V)	
AUX RETURN (1, 2)			10kΩ	Ligne de 600Ω	-12dB (195mV)	+4dB (1.23V)	+20dB (7.75V)	Prise casque asymétrique
INSERT IN			5kΩ		-20dB (77.5mV)	0dB (775mV)	+20dB (7.75V)	Prise casque (TRS) T=OUT (sortie), R=IN (entrée), S=GND (terre)
TAPE IN			10kΩ		-26dBV (50.1mV)	-10dBV (316mV)	—	Prise à broche RCA

0dB=0.775Vrms
0dBV=1Vrms

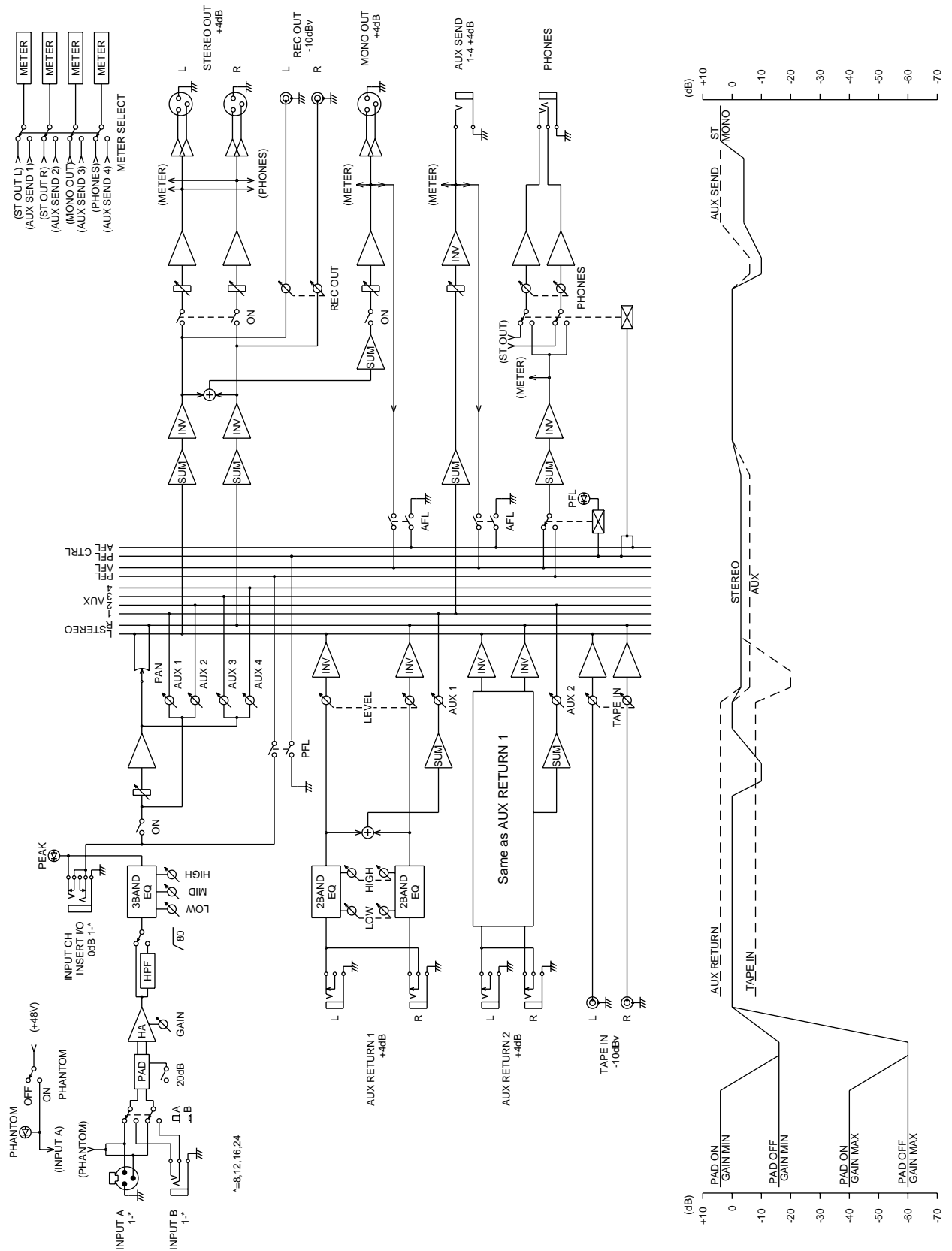
■ Caractéristiques de sortie

Output connector	Output impedance	Nominal impedance	Output level		Connector type
			Nominal	Max. before clipping	
STEREO OUT L/R, MONO OUT	150Ω	Lignes de 600Ω	+4dB(1.23V)	+24dB (12.3V)	Type XLR-3-32
REC OUT L/R	2kΩ	Lignes de 10kΩ	-10dBV (316mV)	+16dBV (6.31V)	Prise à broche RCA
AUX SEND 1-4	75Ω	Lignes de 600Ω	+4dB (1.23V)	+20dB (7.75V)	Prise casque
INSERT OUT	600Ω	Lignes de 10kΩ	0dB (775mV)	+20dB (7.75V)	Prise casque (TRS) T=OUT, R=IN, S=GND
PHONES OUT (sortie casque)	100Ω	Casque 40Ω	3mW	120mW	Prise casque ST (stéréo)

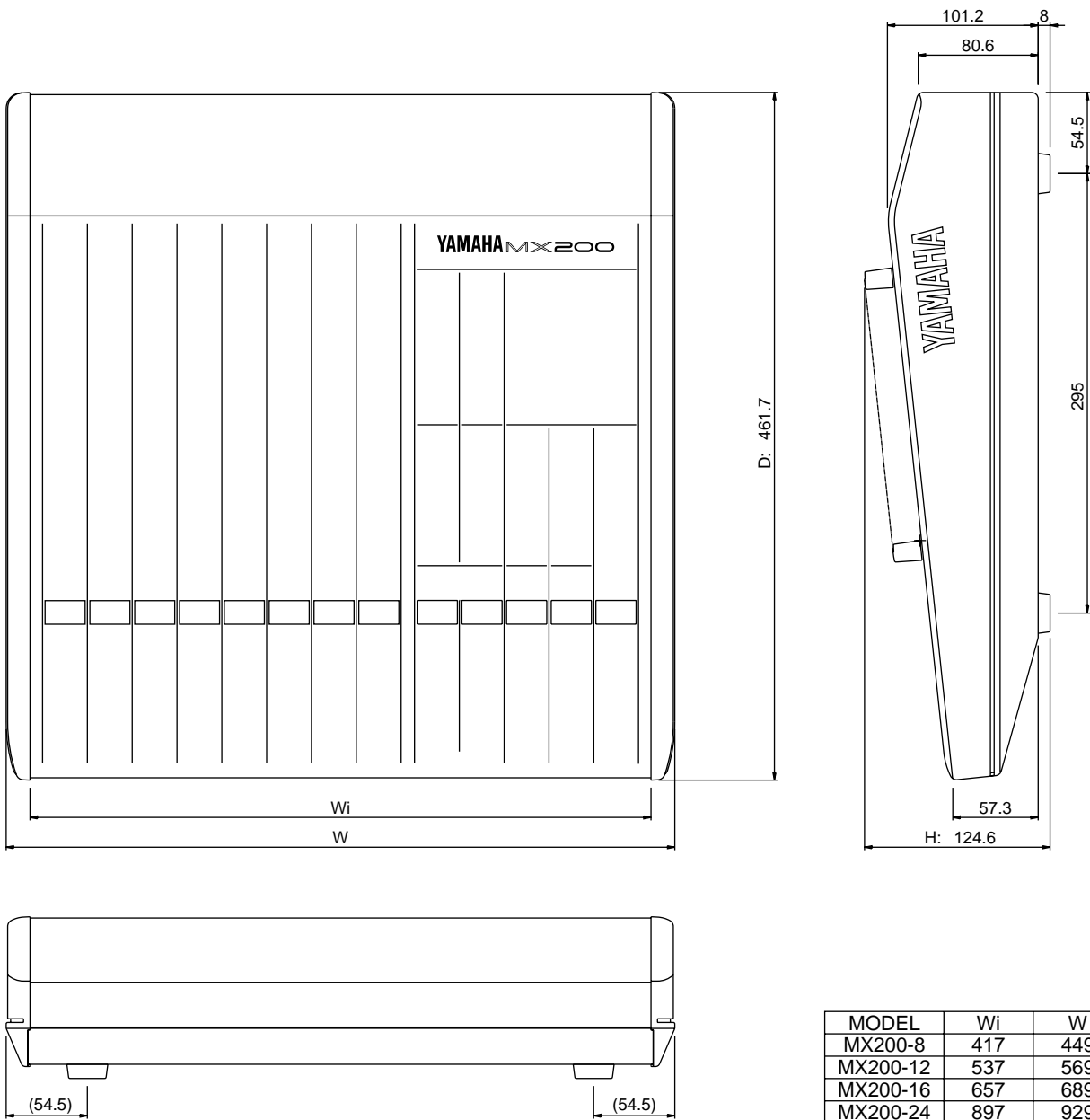
0dB=0.775Vrms
0dBV=1Vrms

Ces caractéristiques ainsi que l'apparence de l'appareil peuvent être modifiés sans avis préalable.

Schémas de connexions et de niveaux



■ Dimensions



MODEL	W_i	W
MX200-8	417	449
MX200-12	537	569
MX200-16	657	689
MX200-24	897	929

Unité: mm

Einleitung

Vielen Dank für den Kauf des Yamaha Mischpults MX200. Die Mischpulte der MX200 Serie zeichnen sich durch eine praktische Anordnung, vielseitige Funktionen sowie eine einfache Bedienung aus und erlauben zahlreiche Anwendungsmöglichkeiten. Um das große Leistungspotential des MX200 voll ausschöpfen zu können und einen störungsfreien Einsatz über viele Jahre sicherzustellen, lesen Sie sich bitte diese Bedienungsanleitung aufmerksam durch.

Merkmale

- Das MX200-8 bietet 8 Kanäle (das MX200-12 hat 12, das MX200-16 besitzt 16 und das MX-24 sogar 24 Eingangskanäle) für Eingangssignale, die zu Stereosignalen abgemischt werden können.
- Ein MONO OUT-Ausgang erlaubt zur Klangüberwachung den Anschluß eines Zusatzverstärkers sowie die Überprüfung der Phasensynchronisation.
- Die PFL-Funktion (Signalabtastung vor dem Fader) ermöglicht das Abhören eines Eingangskanal, bevor die Signale den Kanalfader durchlaufen.
- Mit der AFL-Funktion (Signalabgriff hinter dem Fader) können Sie jederzeit die Ausgangssignale, die an den Ausgängen ST OUT L und R, MONO OUT bzw. sowie AUX SEND anliegen, mit einem Kopfhörer überwachen.
- Bei den Eingängen INPUT A handelt es sich um symmetrische XLR-Buchsen, während der Eingangsbuchsen INPUT B für symmetrische Klinkenstecker vorgesehen ist. Die Eingänge können einen Pegelbereich zwischen Mikrofon- und Line-Pegeln verarbeiten.
- Dank einer Phantomstromversorgung können auch Kondensatormikrofone problemlos angeschlossen werden.
- Jeder Eingangskanal ist mit einer Ein-/Ausgangsbuchse INPUT CH INSERT I/O bestückt, wodurch Sie Effektgeräte in einzelne Eingangskanäle zwischenschalten können.
- Vier AUX SEND-Sammelschienen und zwei Stereo-Rückkehrsysteme, AUX RETURN genannt, erlauben externe Verarbeitung von verschiedenen Kanalmischungen. Selbst wenn zwei Effektgeräte mit einem Ein- und 2 Ausgängen angeschlossen werden, stehen damit noch zwei weitere AUX SEND-Systeme zur Verfügung.
- Die Buchsen TAPE IN und REC OUT dienen zum Anschluß von Bandgeräten für Aufnahme bzw. Wiedergabe.

Inhalt

Vorsichtsmaßnahmen	1
Bedienkonsole	2
Eingangskanal-Bedienfeld	2
Mischkonsole	4
Anschlüsse	6
Geräterückseite	7
Anwendungsbeispiel	8
Spezifikationen	9
Allgemeine Spezifikationen	9
Eingangsdaten	10
Ausgangsdaten	10
Blockschaltbild und Pegeldiagramm	11
Abmessungen	12

Vorsichtsmaßnahmen

1. Meiden Sie extreme Temperaturen, starke Feuchtigkeit, Staub und Vibrationen

Stellen Sie das Pult niemals an einen extrem warmen oder feuchten Ort – also niemals in die Nähe eines Heizkörpers, Ofens usw. Meiden Sie außerdem staubige Orte sowie Orte, an denen das Pult starken Vibrationen ausgesetzt ist, die zu mechanischen Schäden führen könnten.

2. Lüftung

Dieses Pult ist an den Seiten sowie an der Unterseite mit Lüftungsschlitzen ausgerüstet, die niemals abgedeckt werden dürfen.

3. Umsichtig behandeln

Lassen Sie das Pult niemals fallen und behandeln Sie die Bedienelemente mit der gebührenden Umsicht.

4. Öffnen Sie niemals das Gehäuse und versuchen Sie erst recht nicht, das MX200 selbst zu reparieren

Dieses Pult enthält keinerlei Teile, die vom Anwender selbst gewartet werden dürfen. Überlassen Sie alle Wartungsarbeiten dem qualifizierten Yamaha-Kundendienst. Bitte bedenken Sie, daß beim Öffnen des Gehäuses automatisch der Garantieanspruch erlischt.

5. Schalten Sie das Pult aus, bevor Sie die Anschlüsse vornehmen oder ändern

Schalten Sie das MX200 immer AUS, bevor Sie Kabel anschließen oder abtrennen. Das ist sehr wichtig, damit weder das Pult, noch die daran angeschlossenen Geräte beschädigt werden.

6. Behandeln Sie die Kabel mit der gebotenen Umsicht

Daß man Kabelanschlüsse nur herstellen bzw. lösen darf, indem man an dem Stecker statt an der Schnur zieht (was auch für das Netzkabel gilt), wissen Sie bestimmt bereits.

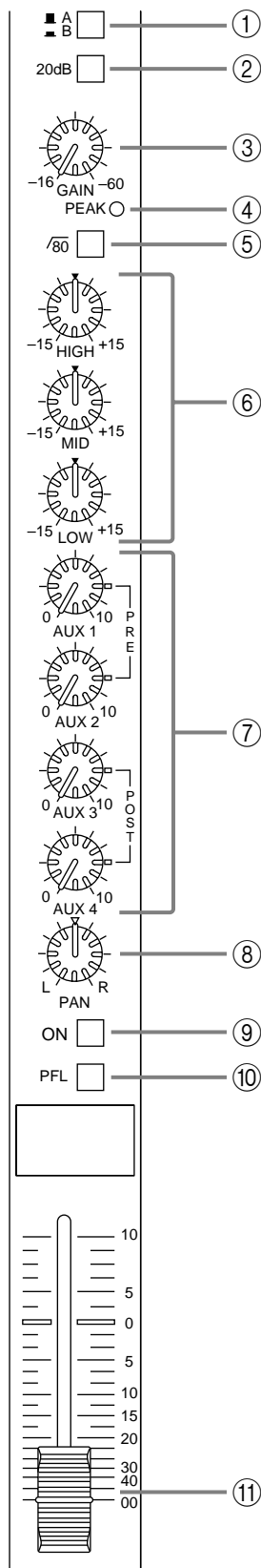
7. Mit einem trockenen weichen Tuch abwischen

Verwenden Sie niemals Lösungsmittel oder Waschbenzin zum Reinigen des Pults. Wischen Sie es ausschließlich mit einem trockenen weichen Tuch ab.

8. Achten Sie auf die richtige Netzspannung

Schauen Sie vor der Inbetriebnahme jeweils nach, ob die Netzspannung, die Sie an das MX200 anlegen, den Angaben auf dem rückseitigen Typenschild entspricht. Außerdem muß der verwendete Stromkreis genügend Strom liefern, um alle verwendeten Geräte zu speisen. Nach Möglichkeit sollte sogar noch eine Reserve vorhanden sein.

■ Eingangskanal-Bedienfeld



① Eingangsbuchsen-Wahlschalter (A/B)

Dieser Schalter dient zur Wahl der Eingangsbuchse für den betreffenden Kanal.

Bei ausgerastetem Schalter (■ A) wird das Eingangssignal über die symmetrische XLR-Eingangsbuchse (INPUT A) auf der Geräterückseite empfangen. Wird der Schalter eingerastet (■ B), wird das Eingangssignal hingegen über die INPUT B-Buchse (symmetrische Klinkeinsteckerbuchse) eingespeist.

② Dämpfungsschalter (PAD)

Mittels dieses Schalters können Sie den Eingangssignalpegel um 20dB dämpfen.

Falls der Eingangssignalpegel zu hoch ist und mit dem ③ GAIN-Regler nicht ausreichend reduziert werden kann, diesen Schalter verwenden.

③ Verstärkungsfaktorregler (GAIN)

Mit diesem Regler wird der Eingangssignal auf einen angemessenen Pegel abgeglichen.

Für ein optimales Verhältnis zwischen Rauschabstand und Dynamikumfang den GAIN-Regler so einstellen, daß die Spitzenwertanzeige ④ nur gelegentlich aufblinkt. Falls der Eingangspegel weiter reduziert werden muß, den Dämpfungsschalter ② verwenden.

④ Spitzenwertanzeige (PEAK)

Diese Anzeige erfährt den Signalpegel hinter dem Equalizer.

Sie leuchtet 3dB unter dem Abkapppegel rot auf, um zu warnen, daß das Signal nahezu den Begrenzungspegel erreicht.

⑤ 80Hz Hochpaßfilterschalter

Dient zum Ein-/Ausschalten des Hochpaßfilters, der tieffrequente Signale unter 80Hz entfernt. Sein Wirkungsgrad beträgt 12dB/Oktave.

⑥ Equalizer

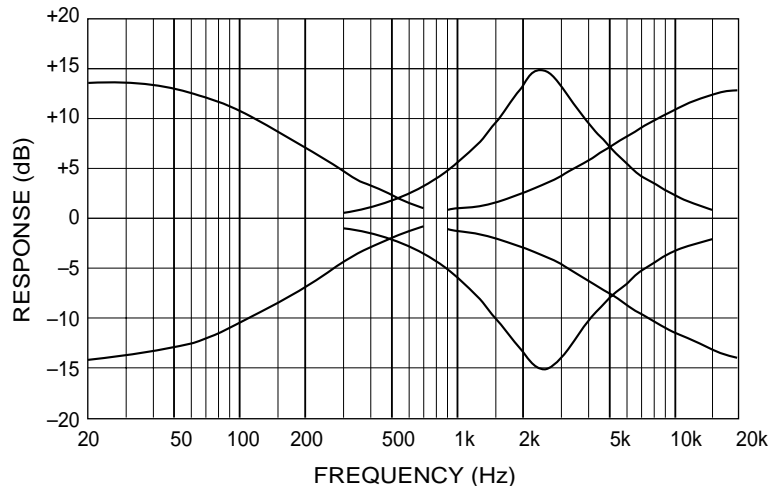
Dieser Equalizerzug erlaubt einen Pegelabgleich des Höhen-, Mitten- und Tiefenbereichs zwischen ± 15 dB. Die Scheitel- bzw. Mittenfrequenzen sind wie folgt:

HIGH (Höhen): 12kHz

MID (Mitten): 2,5kHz

LOW (Tiefen): 80Hz

In der Reglerstellung "▼" resultiert ein linearer Frequenzgang.



⑦ AUX-Senderegler (AUX 1–4)

Mit diesen Reglern können Sie das Eingangssignal den vier AUX-Sammelschienen zuweisen und gleichzeitig den Sendepiegel bestimmen.

- Die Senderegler AUX1 und AUX2 nehmen das Signal vor dem Kanalfader auf, weshalb sich die Stellung des Kanalfaders nicht auf den Sendepiegel für die Sammelschienen AUX1 oder AUX2 auswirkt.
- Die Senderegler AUX3 und AUX4 greifen das Signal hinter dem Kanalfader ab, weshalb die Stellung des Kanalfaders den Signalpegel auf den Sammelschienen AUX3 und AUX4 beeinflusst.

⑧ Stereo-Zuweisungsregler

Mit diesem Regler wird das Kanalsignal der linken oder rechten STEREO- bzw. Master-Sammelschiene zugewiesen und im Stereo-Klangbild positioniert.

⑨ Kanal-Ein/Ausschalter (ON)

Bei gedrücktem Schalter sind die Signalwege vom Eingangskanal zu den Sammelschienen STEREO L, R und AUX1–4 geöffnet.

Durch Ausrasten des Schalters werden die Ausgänge zu den Sammelschienen stummgeschaltet. Daher sollte der Schalter bei unbeschalteten Kanälen auf AUS gestellt werden.

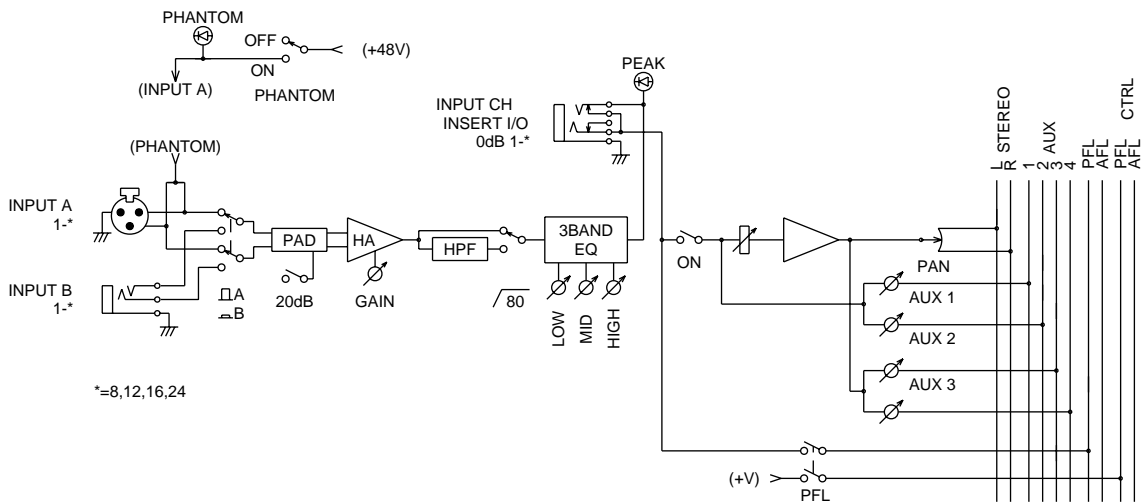
⑩ Eingangssignal-Abhörschalter (PFL)

Durch diesen Schalter können Sie das Eingangssignal abhören, bevor es den Kanalfader durchläuft.

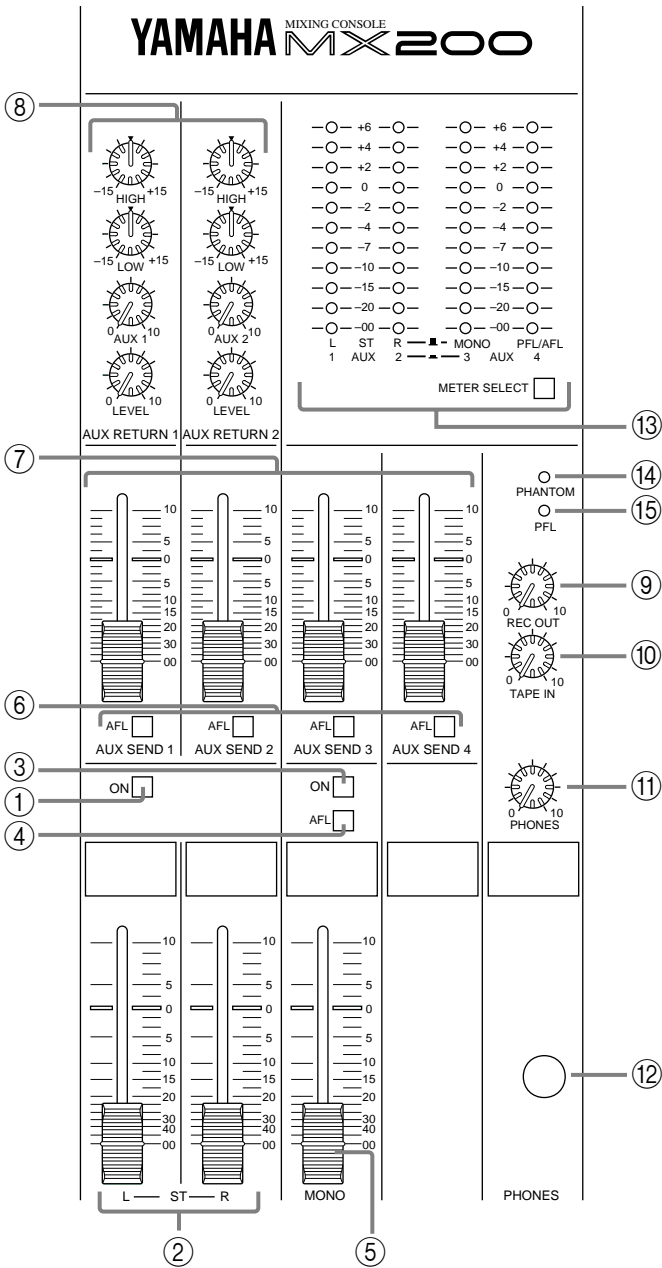
Daher bietet sich dieser Schalter zur Überwachung der Eingangssignale und zur Überprüfung des Eingangskanals an.

⑪ Kanalfader

Der Kanalfader regelt den Ausgangspegel des Eingangskanals und wird zum Abstimmen des Lautstärkeverhältnisses zwischen den einzelnen Kanälen verwendet. Bei unbeschalteten Kanälen sollte der Fader ganz abgesenkt werden.



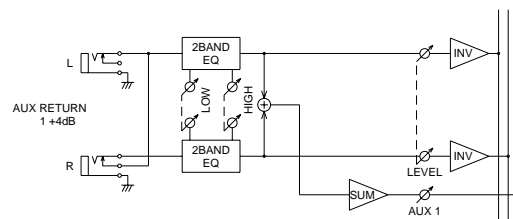
Mischkonsole



- ① **Stereo-Ein/Ausschalter (STEREO ON)**
Damit schalten Sie den Stereo-Ausgang (ST OUT) ein bzw. aus.
Bei ausgerastetem Schalter sprechen die zwei Stereo-Pegelmesser links nicht an. Allerdings liegt ungeachtet der Schalterstellung am MONO OUT-Ausgang stets das Mono-Ausgangssignal an.
- ② **Stereo-Masterfader (STEREO L bzw. R)**
Diese zwei Fader regeln den Stereo-Ausgangspegel, d. h. den Pegel des linken bzw. rechten Stereo-Ausgangssignals, das sich jeweils aus den verschiedenen Eingangssignalen zusammensetzt.
Mittels der ST-Pegelanzeigen können die Ausgangspegel des linken und rechten Stereokanals visuell überwacht werden.

- ③ **Mono-Ein-/Ausschalter (MONO ON)**
Schaltet den Mono-Ausgang MONO OUT ein oder aus.
- ④ **Mono-Abhörschalter (MONO AFL)**
Bei eingerastetem Schalter können die Signale, die am Mono-Ausgang anliegen, mit einem Kopfhörer abgehört werden.
- ⑤ **MONO-Fader**
Dieser Fader regelt den Ausgangspegel an der MONO OUT-Buchse.
- ⑥ **AUX-Sendesignal-Abhörschalter (AUX SEND 1-4 AFL)**
Um Signale abzuhören, die über eine der vier AUX SEND-Sammelschienen ausgegeben werden, den entsprechenden AFL-Schalter drücken.
Der Pegel des abgehörten AUX-Sendesignals wird durch die PFL/AFL-Pegelmesser rechts angezeigt.
- ⑦ **AUX-Sendefader (AUX SEND)**
Diese Fader steuern den Ausgangspegel der entsprechenden AUX SEND-Sammelschiene.
Mit Hilfe des METER SELECT-Schalters ⑧ können Sie die Pegel der AUX-Sendesignale (AUX 1 und 2 oder AUX 3 und 4) auf die LED-Anzeigen abrufen.
- ⑧ **AUX-Rückkehrpegelregler (AUX RETURN 1, 2)**
<LEVEL>
Der LEVEL-Regler bestimmt den Pegel, mit dem die über die Buchsen L/MONO bzw. R/MONO von AUX RETURN 1, 2 zurückgeleiteten Signale von Effektgeräten usw. auf die linke bzw. rechte Stereo-Sammelschiene gelegt werden.
Wird nur die linke Buchse L/MONO angeschlossen, wird das Signal zu gleichen Teilen in die linke und rechte Stereo-Sammelschiene eingeleitet.

- <AUX 1 (AUX 2)>**
Der AUX 1-Regler bestimmt den Pegel, mit dem die über die Buchsen L/MONO bzw. R/MONO von AUX RETURN 1, 2 zurückgegebenen Signale von Effektgeräten usw. zum AUX SEND 1 (2)-Fader geleitet werden. Der Fader bestimmt dann den Pegel, mit dem die Signale an die Buchse AUX SEND 1 (2) auf der Rückseite gelegt werden.
- <LOW>**
Dieser Regler steuert einen Bereichs-Equalizer und erlaubt im Bereich unter der Scheitelfrequenz von 80Hz eine Pegelkompensation der AUX RETURN-Eingangssignale.
- <HIGH>**
Dieser Regler steuert einen Bereichs-Equalizer und dient zur Pegelkompensation der AUX RETURN-Eingangssignale im Bereich über der Scheitelfrequenz 12kHz.



⑨ **Aufnahmepegelregler (REC OUT)**

Dieser Regler bestimmt den Ausgangspegel an den REC OUT-Buchsen (Anschluß ⑤), die für den Anschluß von Bandgeräten usw. vorgesehen sind.

⑩ **Bandwiedergabe-Pegelregler (TAPE IN)**

Der TAPE IN-Regler stellt den Eingangspegel für die Signale eines Bandgeräts usw. ein, das an den TAPE IN-Buchsen angeschlossen ist.

⑪ **Kopfhörer-Pegelregler (PHONES)**

Mit dem PHONES-Regler wird die Lautstärke eines an der PHONES-Buchse angeschlossenen Kopfhörers justiert.

⑫ **Kopfhörerbuchse (PHONES)**

Dient zum Anschließen eines Kopfhörers. Folgende Signale können mit dem Kopfhörer überwacht werden:

— **Abhörbare Signale** —

- Mastersignale, die an den Stereo-Ausgangsbuchsen (ST OUT) anliegen (alle PFL- und AFL-Schalter austrasten)
- Eingangssignale der einzelnen Eingangskanäle nach Passieren des 3-Band-Equalizers und der Signalschleife der INPUT CH INSERT I/O-Buchse (PFL-Schalter des Eingangskanals drücken)
- Ausgangssignale an MONO OUT-Buchse (AFL-Schalter im MONO-Regelfeld drücken)
- AUX-Sendesignale, die über die AUX SEND-Buchsen 1-4 abgegeben werden (den entsprechenden AFL-Schalter in den AUX SEND-Bedienfeldern 1-4 drücken)

⑬ **Pegelanzeige-Wahlschalter (METER SELECT) und Pegelanzeigen**

Die LED-Pegelanzeigen haben zwei Anzeigefunktionen, zwischen denen mit METER SELECT umgeschaltet wird.

<METER SELECT ausgerastet>

- STEREO L, R gibt den Ausgangspegel an den STEREO OUT-Buchsen an.
- MONO zeigt den Ausgangspegel an der MONO OUT-Buchse
- PFL/AFL zeigt den Eingangspegel eines Kanals, dessen PFL-Schalter gedrückt wurde, bzw. den Ausgangspegel an den Buchsen STEREO OUT L, R, MONO OUT oder AUX SEND nach Drücken des AFL-Schalters im entsprechenden Bedienfeld (siehe Mischkonsole ④, ⑥).

<METER SELECT eingerastet>

- AUX SEND 1-4 zeigt die AUX-Sendepegel an den AUX SEND-Buchsen 1-4.

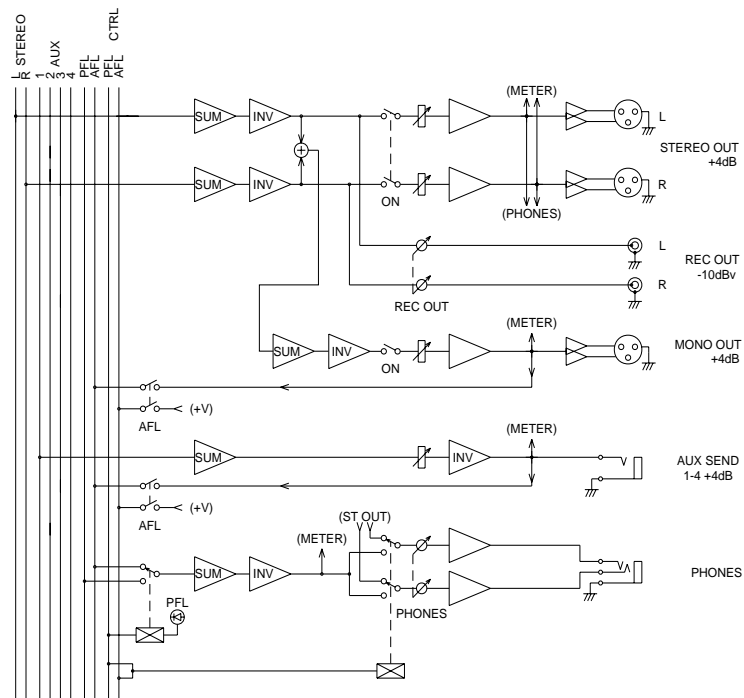
⑭ **Phantomstromanzeige (PHANTOM)**

Bei Stellung ON des PHANTOM-Schalters (Geräterückseite ②) leuchtet diese Anzeige.

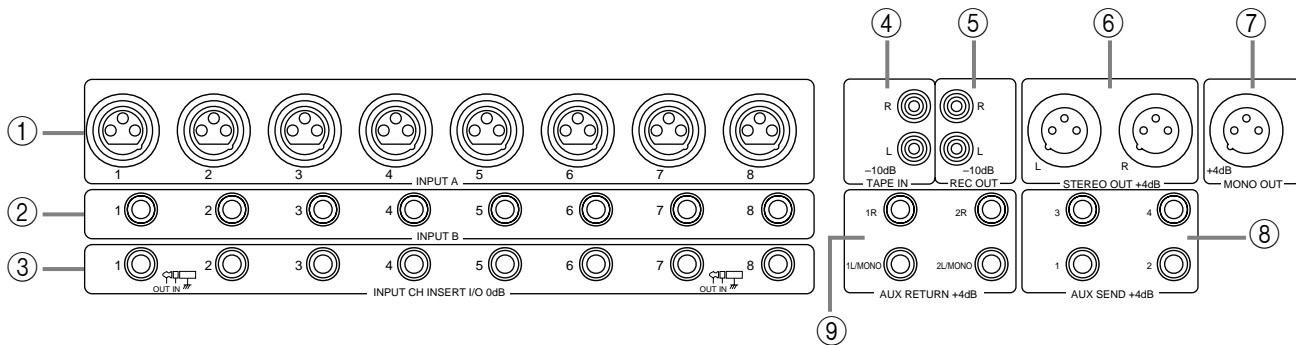
⑮ **Anzeige für Mithörsignalabgriff vor Fader (PFL)**

Die PFL-Anzeige leuchtet, wenn der PFL-Schalter eines Eingangskanals gedrückt ist (Eingangskanal-Bedienfeld ⑩).

Gleichzeitig gibt die PFL/AFL-Anzeige den Pegel des Kanals an, dessen PFL-Schalter gedrückt ist.



■ Anschlüsse



① Eingangsbuchsen INPUT A

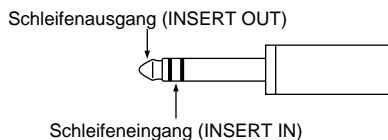
Hierbei handelt es sich um symmetrische XLR-Buchsen. (1: Masse, 2: Spannungsführend, 3: Kalt)
Mikrofone mit einer Impedanz von 50 bis 600Ω und Hochpegelquellen mit 600Ω können hier angeschlossen werden. Wird der PHANTOM-Schalter (siehe Schalter auf der Geräterückseite ②) auf ON gestellt, liegen +48 V Gleichspannung an den Stiften 2 und 3 dieser Anschlüsse an.

② Eingangsbuchsen INPUT B

Dies sind symmetrische Klinkensteckerbuchsen. (Spitze: Spannungsführend, Ring: Kalt, H: Masse)
Diese Buchsen erlauben den Anschluß von Mikrofonen mit einer Impedanz von 50 bis 600Ω und Hochpegelquellen mit 600Ω Nennimpedanz. Asymmetrische Klinken können ebenfalls verwendet werden. Allerdings sind lange Kabel dann viel rauschanfälliger und empfindlicher gegen elektromagnetische Felder von Radios und Fernsehern.

③ Eingangskanal-Zwischenein/Ausgangsbuchse INPUT CH INSERT I/O 0dB

Diese Signalschleifen-Ein/Ausgangsbuchsen sind zwischen dem Eingangsverstärker und dem Equalizer der einzelnen Eingangskanäle angeordnet.
Der Nominaleingangspegel und die Nennimpedanz liegen bei 0dB bzw. 600Ω, der Nominalausgangspegel und die Ausgangsimpedanz betragen 0dB bzw. 10kΩ.
Diese Buchsen erlauben das Zwischenschalten von eigenen graphischen Equalizern, Kompressoren, Rauschfiltern usw. in die Eingangskanäle.



④ Band-Eingangsbuchse TAPE IN

Zur Materialüberprüfung usw. kann hier ein DAT oder Cassettendeck angeschlossen werden. Der Eingangspegel wird mit dem TAPE IN-Regler justiert (siehe Mischkonsole ⑩).

⑤ Aufnahme-Ausgangsbuchsen REC OUT

Die REC OUT-Buchsen dienen zum Anschluß eines DAT-Rekorders oder Cassettendecks, um die Audiosignale der STEREO OUT-Buchsen mitzuschneiden. Der Ausgangspegel an diesen Buchsen wird mit dem REC OUT-Regler eingestellt (Mischkonsole ⑨) und die Stereo-Kanalfader haben keine Wirkung auf den Pegel.

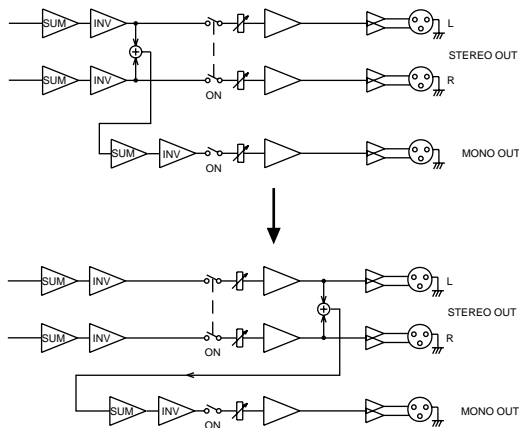
⑥ Stereo-Ausgangsbuchsen STEREO OUT L, R

An diesen Buchsen liegt die Stereosignale der endgültigen Mastermischung an. Sie sind für den Anschluß an eine Endstufe vorgesehen, die die Hauptlautsprecher treibt. Außerdem können Sie die Ausgangssignale dieser Buchsen auch aufnehmen, falls Sie den Aufnahmepegel mit den STEREO-Kanalfadern aussteuern wollen.

⑦ Mono-Ausgangsbuchse MONO OUT

Die MONO OUT-Buchse kann für einfache Aufnahmen von Live-Auftritten, für Anschluß an einen Bühnenverstärker und zum Überprüfen der Phasensynchronisation verwendet werden.
Wird jedoch im Gerät ein Überbrückungsstecker umgesetzt, wird das MONO-Ausgangssignal erst hinter den Stereofader (ST L bzw. R) abgegriffen. In diesem Fall wird der MONO OUT-Ausgang ebenso durch den Stereo-Ein/Ausschalter stummgeschaltet.

Durch Umsetzen von internen Überbrückungen kann der Signalabgriff für das MONO OUT-Signal hinter die Stereo-Fader versetzt werden. Falls Sie dies wünschen, wenden Sie sich bitte an Ihren Händler.



⑧ **AUX-Sendebuchsen AUX SEND 1, 2, 3, 4**

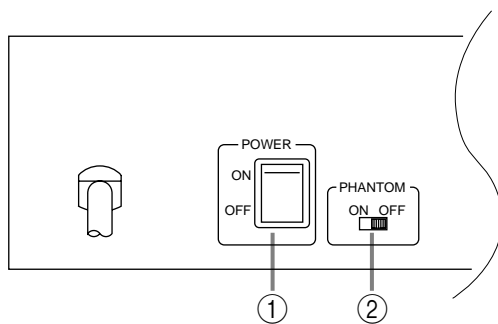
Diese unsymmetrischen Buchsen weisen einen Nennausgangsspegel und Nennimpedanz von +4dB bzw. 600Ω auf. (AUX 1 und 2 werden vor dem Fader, AUX 3 und 4 hinter dem Fader abgegriffen.)

⑨ **AUX-Rückkehrbuchsen 1L/MONO, 1R, 2L/MONO, 2R**

Diese unsymmetrischen Buchsen weisen einen Nenneingangsspegel und eine Impedanz von +4dB bzw. 10kΩ auf. Normalerweise dienen diese Buchsen zur Rückführung der Audiosignale von Effektgeräten wie Hall oder Delay. Sie können jedoch auch als zusätzliche Eingänge verwendet werden.

Wird nur die Buchse L/MONO beschaltet, wird das gleiche Signal auf die linke und rechte Stereo-Sammelschiene gelegt.

Geräterückseite



① **Netzschalter (POWER)**

Dient zum Ein- und Ausschalten des Mischpults.

Das Ausschalten von Audio-Anlagen sollte mit den Geräten begonnen werden, die direkt den Lautsprechern angeordnet sind. (Normalerweise ist das die Endstufe.)

② **Phantom-Stromversorgungsschalter (PHANTOM)**

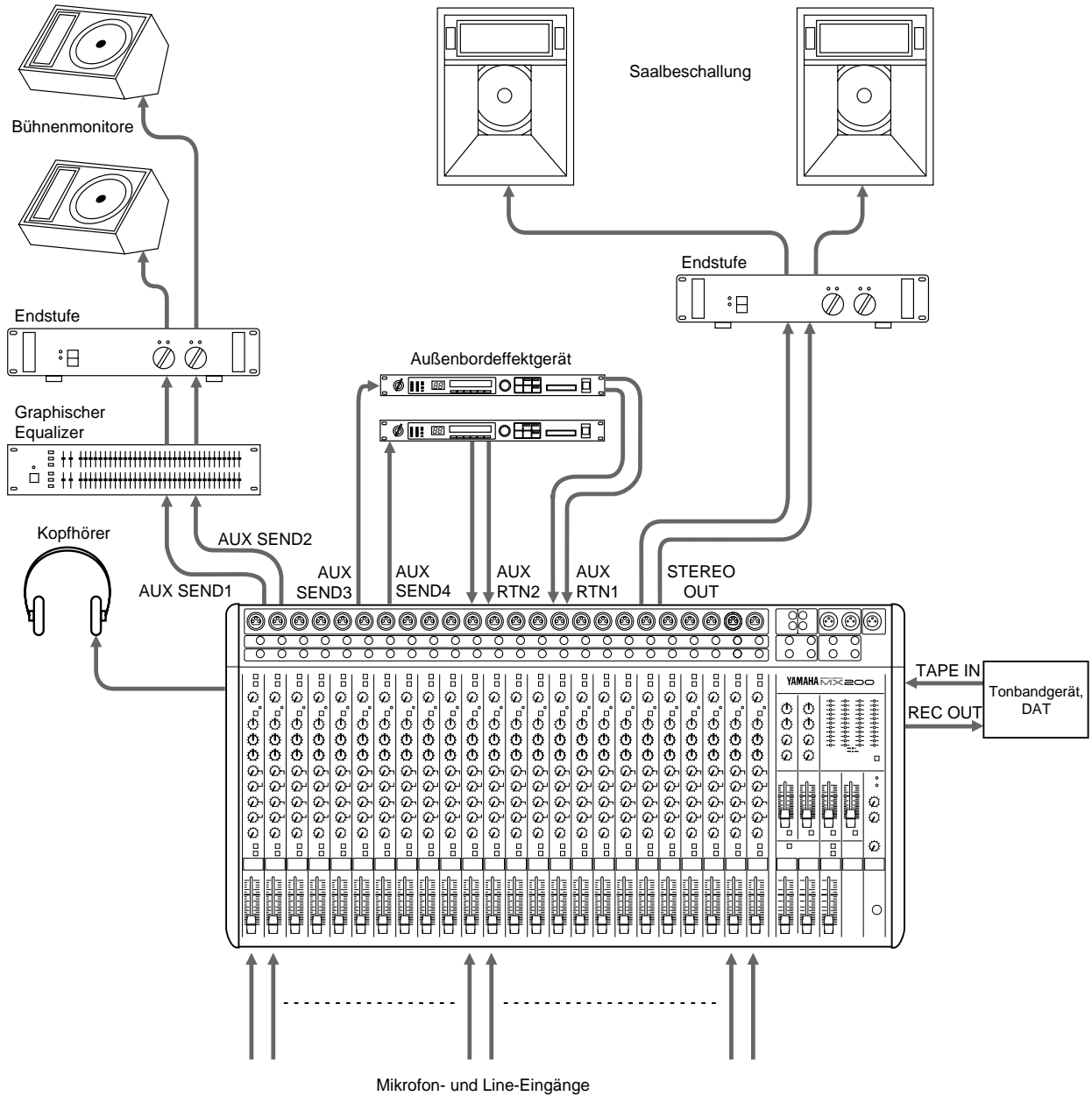
Damit schalten Sie die Phantomstromversorgung für alle Kanäle ein oder aus.

Stellen Sie den Schalter auf ON, wenn Sie Kondensatormikrofone verwenden. In Stellung ON liegen +48V Gleichspannung an den Stiften 2 und 3 der XLR-Anschlüsse von INPUT A an.

Falls kein Phantomstrom benötigt wird, unbedingt den Schalter auf OFF stellen.

- In Stellung ON können auch symmetrische Dynamikmikrofone oder Hochpegelquellen angeschlossen werden, ohne daß Probleme auftreten. Werden jedoch unsymmetrische Quellen oder Geräte mit Neutralerdung angeschlossen, kommt es zu Brummen oder anderen Störungen.

Anwendungsbeispiel



Spezifikationen

■ Allgemeine Spezifikationen

Max. Ausgangspegel	+24dB (STEREO L/R) bei 600Ω, 0,5% Klirrfaktor bei 1kHz +24dB (MONO OUT) bei 600Ω, 0,5% Klirrfaktor bei 1kHz +20dB (AUX SEND) bei 600Ω, 0,5% Klirrfaktor bei 1kHz																			
Klirrfaktor	<0,1% bei +14dB 20Hz–20kHz (ST L/R, MONO, AUX SEND bei 600Ω)																			
Frequenzgang	20Hz –20kHz +1dB, –2dB (ST L/R, MONO, AUX SEND bei 600Ω)																			
Brummen und Rauschen (Durchschnitt, Abschluß mit 150Ω Widerstand) (nach DIN AUDIO)	–127dB äquivalentes Eingangsrauschen –95dB Ausgangsrestrauschen (STEREO L/R, MONO) –95dB Ausgangsrestrauschen (AUX SEND 1–4)																			
	–88dB (STEREO, MONO)	Masterfader auf Nominalpegel und alle Eingangskanäle ausgeschaltet.																		
	–63dB (67dB Rauschabstand)(STEREO, MONO)	Masterfader und ein Kanalfader auf Nominalpegel																		
	–78dB (AUX SEND 1–4)	AUX SEND-Fader auf Nominalpegel und alle Eingangskanäle ausgeschaltet.																		
	–63dB (67dB Rauschabstand) (AUX SEND 1–4)	AUX SEND-Fader und ein Kanalfader auf Nominalpegel.																		
Maximale Spannungsverstärkung	84dB, Kanaleingang zu STEREO OUT 84dB, Kanaleingang zu MONO OUT 80dB, Kanaleingang zu AUX SEND 1, 2 90dB, Kanaleingang zu AUX SEND 3, 4 16dB AUX RETURN 1, 2 zu STEREO OUT 16dB AUX RETURN 1, 2 zu AUX SEND 1, 2 28dB TAPE IN 1, 2 zu STEREO OUT																			
Übersprechdämpfung bei 1kHz	–70dB zwischen Eingangskanälen –70dB zwischen Ausgangskanälen																			
Verstärkungsfaktorregler (Eingangskanal) Dämpfungsschalter (Eingangskanal)	44dB (–60 – –16dB) 0/20dB																			
Eingangskanal-Equalizer	±15dB maximale Pegelanhebung, -absenkung HIGH: Scheitelfrequenz 12kHz MID: Mittenfrequenz 2,5kHz LOW: Scheitelfrequenz 80Hz * Übergangs-/Abfallfrequenzen: 3dB unter maximaler Pegelanhebung, -absenkung																			
LED-Anzeigen	10 LED-Segmente × 4 POWER (–∞) STEREO L/AUX SEND 1 (umschaltbar) STEREO R/AUX SEND 2 (umschaltbar) MONO/AUX SEND 3 (umschaltbar) PFL oder AFL/AUX SEND 4 (umschaltbar)																			
Kanalspitzenwertanzeigen	Die Anzeige eines Kanals leuchtet auf, wenn dessen Signal 3dB unter dem Abkapppegel erreicht.																			
Phantomstromversorgung	+48V, Gleichspannung																			
Stromversorgung/Leistungsaufnahme	<table border="0"> <tr> <td>Modell für die USA und Kanada</td> <td>MX200-8 120V Wechselspannung 60Hz 45W,</td> <td>MX200-12 120V Wechselspannung 60Hz 55W</td> </tr> <tr> <td></td> <td>MX200-16 120V Wechselspannung 60Hz 65W,</td> <td>MX200-24 120V Wechselspannung 60Hz 80W</td> </tr> <tr> <td>Allgemeines Modell</td> <td>MX200-8 230V Wechselspannung 50Hz 45W,</td> <td>MX200-12 230V Wechselspannung 50Hz 55W</td> </tr> <tr> <td></td> <td>MX200-16 230V Wechselspannung 50Hz 65W,</td> <td>MX200-24 230V Wechselspannung 50Hz 80W</td> </tr> <tr> <td>Britisches Modell</td> <td>MX200-8 240V Wechselspannung 50Hz 45W,</td> <td>MX200-12 240V Wechselspannung 50Hz 55W</td> </tr> <tr> <td></td> <td>MX200-16 240V Wechselspannung 50Hz 65W,</td> <td>MX200-24 240V Wechselspannung 50Hz 80W</td> </tr> </table>		Modell für die USA und Kanada	MX200-8 120V Wechselspannung 60Hz 45W,	MX200-12 120V Wechselspannung 60Hz 55W		MX200-16 120V Wechselspannung 60Hz 65W,	MX200-24 120V Wechselspannung 60Hz 80W	Allgemeines Modell	MX200-8 230V Wechselspannung 50Hz 45W,	MX200-12 230V Wechselspannung 50Hz 55W		MX200-16 230V Wechselspannung 50Hz 65W,	MX200-24 230V Wechselspannung 50Hz 80W	Britisches Modell	MX200-8 240V Wechselspannung 50Hz 45W,	MX200-12 240V Wechselspannung 50Hz 55W		MX200-16 240V Wechselspannung 50Hz 65W,	MX200-24 240V Wechselspannung 50Hz 80W
Modell für die USA und Kanada	MX200-8 120V Wechselspannung 60Hz 45W,	MX200-12 120V Wechselspannung 60Hz 55W																		
	MX200-16 120V Wechselspannung 60Hz 65W,	MX200-24 120V Wechselspannung 60Hz 80W																		
Allgemeines Modell	MX200-8 230V Wechselspannung 50Hz 45W,	MX200-12 230V Wechselspannung 50Hz 55W																		
	MX200-16 230V Wechselspannung 50Hz 65W,	MX200-24 230V Wechselspannung 50Hz 80W																		
Britisches Modell	MX200-8 240V Wechselspannung 50Hz 45W,	MX200-12 240V Wechselspannung 50Hz 55W																		
	MX200-16 240V Wechselspannung 50Hz 65W,	MX200-24 240V Wechselspannung 50Hz 80W																		

Abmessungen (W × H × D)	449 × 124.6 × 461.7 mm 569 × 124.6 × 461.7 mm 689 × 124.6 × 461.7 mm 929 × 124.6 × 461.7 mm	MX200-8 MX200-12 MX200-16 MX200-24
Gewicht	9.5kg 11kg 13.5kg 17kg	MX200-8 MX200-12 MX200-16 MX200-24

0dB=0.775 Vrms

■ Eingangsdaten

Eingangsbuchsen	Eingangsimpedanz		Nennimpedanz	Eingangspegel			Anschlußtyp	
	Dämpfung	GAIN-Einstellung		Empfindlichkeit	Nominalpegel Abkapppegel	Maximum bis		
Kanaleingang	OFF (0dB)	-60	4kΩ	50–600Ω Mikrofon & 600Ω Hochpegelquelle	-80dB (77.5µV)	-60dB (775µV)	-40dB (7.75mV)	INPUT A XLR 3-31 type symmetrisch
		-16			-36dB (12.3mV)	-16dB (123mV)	+4dB (1.23V)	
	ON (20dB)						-16dB (123mV)	+4dB (1.23V)
AUX RETURN (1, 2)			10kΩ	600Ω line	-12dB (195mV)	+4dB (1.23V)	+20dB (7.75V)	Unsymmetrische Klinkensteckerbuchse
INSERT IN			5kΩ		-20dB (77.5mV)	0dB (775mV)	+20dB (7.75V)	Klinkensteckerbuchse (TRS) T (Spitze)= Ausgang, R (Ring)= Eingang, S (Hülse)= Masse
TAPE IN			10kΩ		-26dBV (50.1mV)	-10dBV (316mV)	—	Cinchbuchsen

0dB=0.775 Vrms
0dBV=1 Vrms

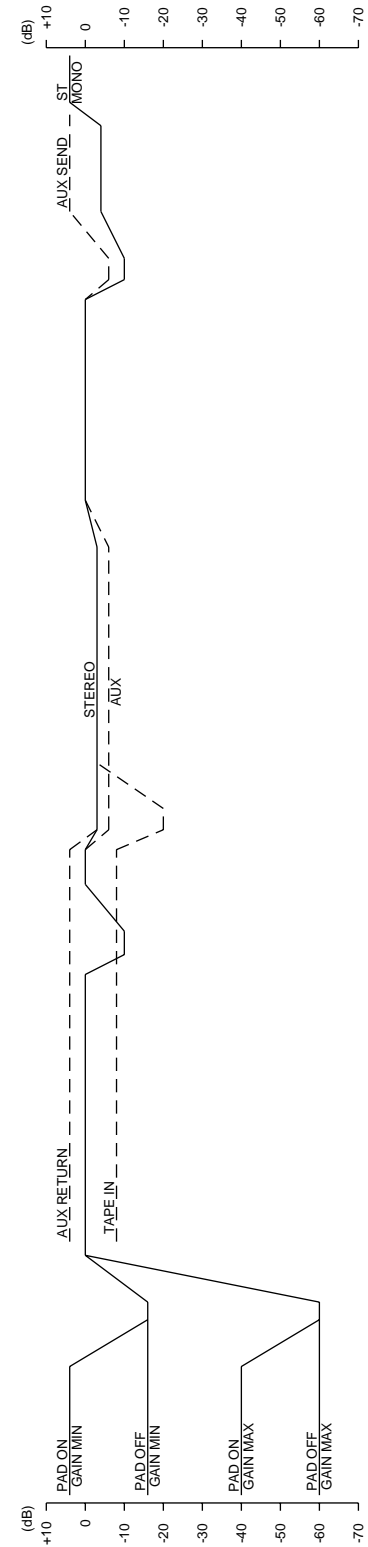
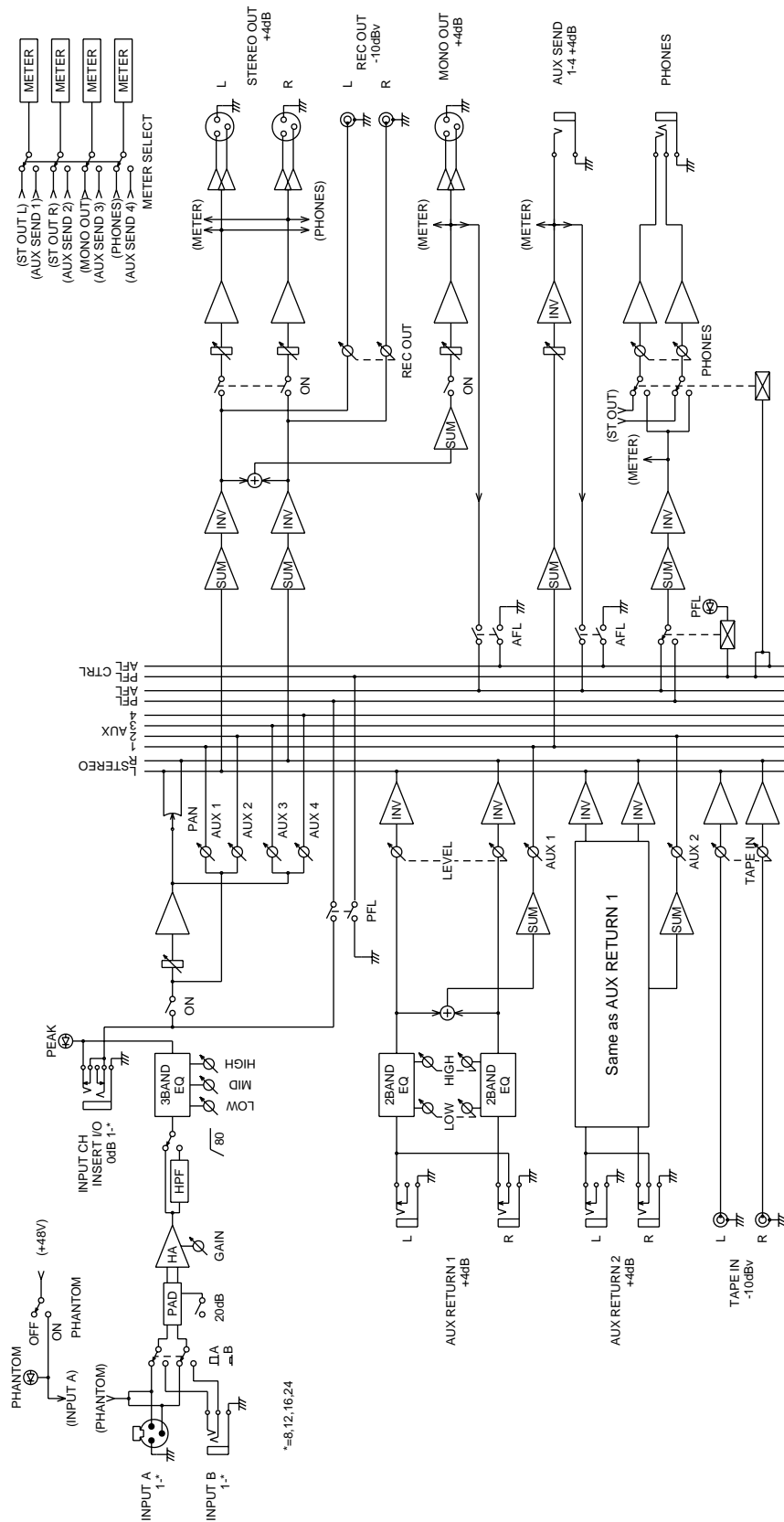
■ Ausgangsdaten

Ausgangsbuchse	Ausgangsimpedanz	Nennimpedanz	Ausgangspegel		Anschlußtyp
			Nominalpegel	Maximum bis Abkapppegel	
STEREO OUT L/R, MONO OUT	150Ω	600Ω Hochpegelquelle	+4dB(1.23V)	+24dB (12.3V)	XLR-3-32, symmetrisch
REC OUT L/R	2kΩ	10kΩ Hochpegelquelle	-10dBV (316mV)	+16dBV (6.31V)	Cinchbuchsen
AUX SEND 1–4	75Ω	600Ω Hochpegelquelle	+4dB (1.23V)	+20dB (7.75V)	Klinkensteckerbuchse
INSERT OUT	600Ω	10kΩ Hochpegelquelle	0dB (775mV)	+20dB (7.75V)	Klinkensteckerbuchse (TRS) T (Spitze)= Ausgang, R (Ring)= Eingang, S (Hülse)= Masse
PHONES (Kopfhörer) OUT	100Ω	40Ω Kopfhörer	3mW	120mW	Stereo-Kopfhörerbuchse

0dB=0.775 Vrms
0dBV=1 Vrms

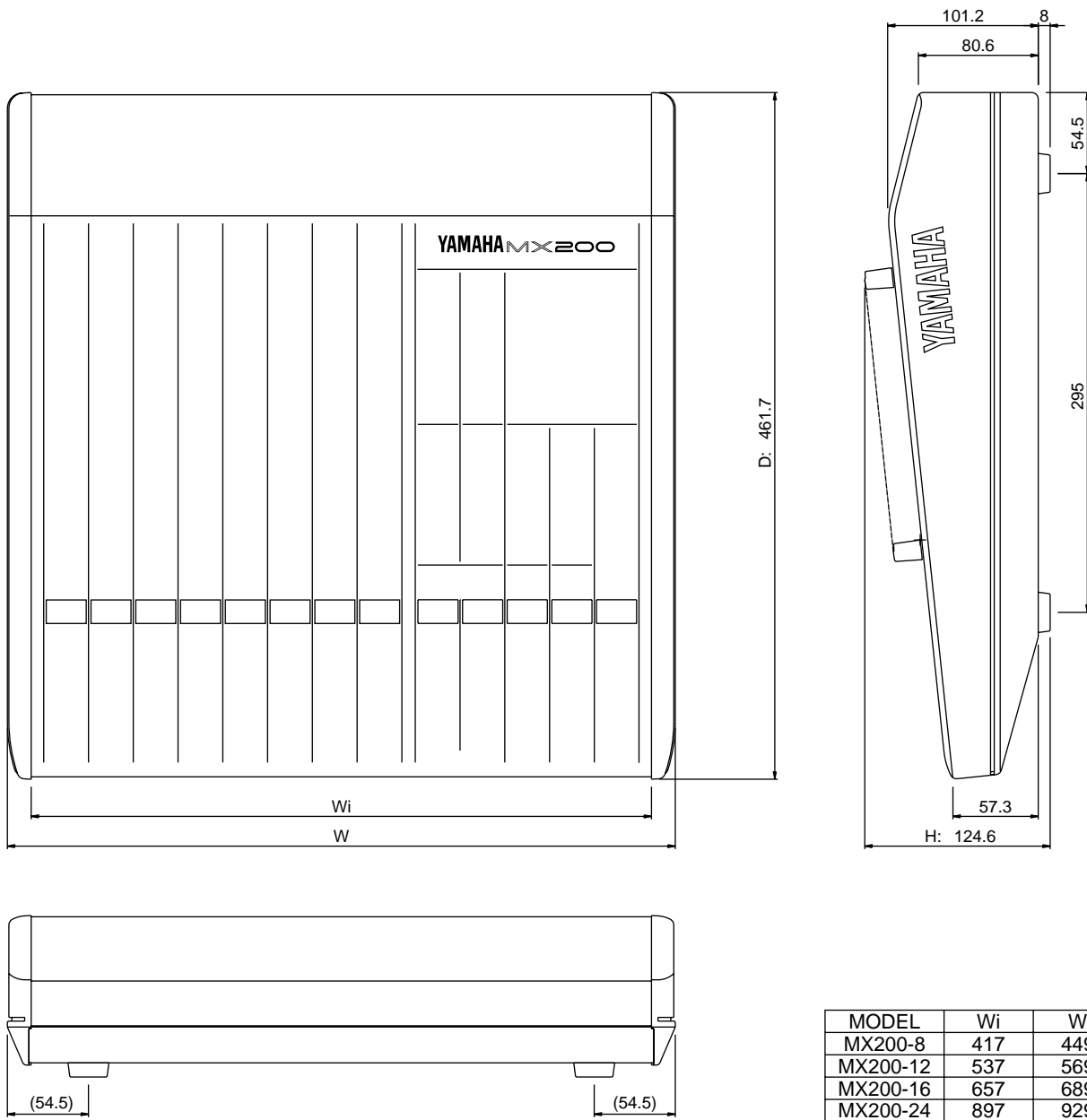
Das Recht zu Änderungen ohne Vorankündigung an Design und Daten vorbehalten.

■ Blockschaltbild und Pegeldiagramm



*=8,12,16,24

■ Abmessungen



MODEL	W_i	W
MX200-8	417	449
MX200-12	537	569
MX200-16	657	689
MX200-24	897	929

Einheit: mm

CONSOLA DE MEZCLA

MX 2000-8
MX 2000-12
MX 2000-16
MX 2000-24

Manual de Operación

Introducción

Gracias por su compra de la Consola de Mezclas Yamaha MX200. La serie MX200 proporciona un equilibrio excelente entre operabilidad, funcionalidad y facilidad de uso. Si desea obtener las máximas ventajas de las prestaciones de su MX200 y disfrutar durante años de un funcionamiento sin problemas, lea detenidamente este manual.

Prestaciones

- La MX200-8 tiene 8 canales de entrada (la MX200-12 tiene 12 canales, la MX200-16 tiene 16 canales y la MX200-24 tiene 24 canales) que se pueden mezclar para conseguir una señal estereofónica.
- La salida monoaural (MONO OUT) facilita una conexión adecuada para un sub amplificador para monitorizar, o para revisar la cancelación de fase.
- La función de escucha pre-atenuador (PFL) le permite controlar cualquier canal de entrada antes de atravesar el atenuador de canal.
- La función de escucha post-atenuador (AFL) le permite controlar la señal de salida desde la salida estereofónica izquierda, derecha (ST OUT L/R), la salida monoaural (MONO OUT) o el envío auxiliar (AUX SEND) mediante auriculares, en cualquier momento.
- Se facilitan conectores tipo XLR para las tomas de entrada A (INPUT A) y se facilitan conectores de auriculares para las tomas de entrada B (INPUT B), permitiendo realizar fáciles conexiones con una serie de diferentes fuentes de entrada. Las entradas pueden aceptar niveles que abarcan desde micrófonos hasta dispositivos de nivel de línea.
- La alimentación Phantom se facilita para conseguir una conexión sencilla de los micrófonos de condensador que necesitan una fuente de alimentación externa.
- Cada canal de entrada tiene una toma de inserción de canal de entrada (entrada/salida) (INPUT CH INSERT I/O), que le permitirá conectar dispositivos de efectos independientemente para cada canal.
- Se facilitan cuatro sistemas de envío auxiliar (AUX SEND) y dos sistemas estereofónicos auxiliares de retorno (AUX RETURN). De este modo, incluso aunque estén conectados dos dispositivos de efectos de entrada/2 salidas, aún se podrán utilizar dos sistemas más de envío auxiliar (AUX SEND).
- Las tomas de entrada de cinta (TAPE IN) y de salida de grabación (REC OUT) proporcionan conexiones adecuadas para la reproducción en platina de cinta y para la grabación.

Indice

Precauciones	1
Panel de Control	2
Sección de control de canales	2
Sección de control principal	4
Conectores	6
Rear panel	7
Ejemplo aplicable	8
Especificaciones	9
Especificaciones generales	9
Especificaciones de entrada	10
Especificaciones de salida	10
Diagramas de bloque y de nivel	11
Dimensions	12

Precauciones

1. Evite un exceso de calor, humedad, polvo o vibraciones.

Mantenga el aparato alejado de lugares donde pueda quedar expuesto a elevadas temperaturas o grados de humedad, como por ejemplo cerca de radiadores, estufas, etc. Evite también los lugares que estén sometidos a una excesiva acumulación de polvo o existencia de vibraciones que puedan causar desperfectos mecánicos.

2. Ventilación

El aparato tiene rendijas de ventilación en los paneles laterales y trasero. Procure no bloquear la ventilación del aparato.

3. Evite las sacudidas

Si el aparato se ve sometido a fuertes sacudidas se puede ver dañado. Manéjelo con cuidado.

4. No abra la cubierta ni intente personalmente hacer reparaciones ni modificaciones

Este producto no contiene piezas que puedan ser reparadas por el usuario. Cuando necesite labores de reparación o mantenimiento avise a personal cualificado de Yamaha. Si abre la cubierta y/o intenta forzar los circuitos internos la garantía quedará anulada.

5. Apague siempre el aparato antes de hacer las conexiones

Apague siempre el aparato (OFF) antes de ponerse a conectar o desconectar los cables. Acuérdesse siempre de hacerlo para evitar dañar el aparato u otros equipos que puedan estar conectados a él.

6. Maneje los cables con cuidado

Al enchufar y desenchufar los cables - incluyendo el cable de alimentación de CA - tire del conector, no del cable.

7. Limpie el aparato con un trapo suave y seco

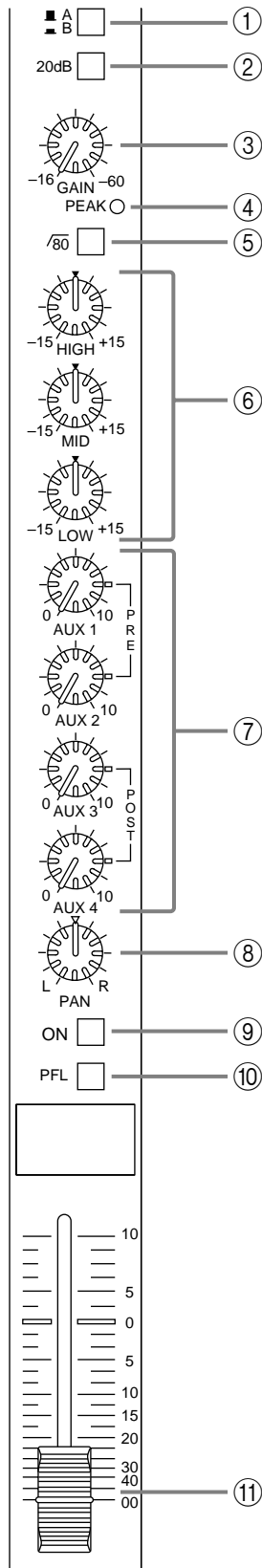
No utilice nunca disolventes, tales como la bencina ni diluyentes para limpiar el aparato. Para limpiar o secar el aparato utilice un trapo seco y suave.

8. Emplee siempre la alimentación correcta

Asegúrese de que el voltaje especificado en el panel trasero se corresponda con la alimentación de CA de la red local. Asegúrese también de que el suministro de la red local sea capaz de proporcionar suficiente corriente para alimentar todo el equipo que utilice en su sistema.

Panel de Control

■ Sección de control de canales ① Selector de entrada



Este botón selecciona el conector de entrada para el canal.

Cuando se selecciona A (■), se tomará la señal de entrada del conector de entrada A (INPUT A) del panel trasero (tipo XLR simétrico). Cuando se selecciona B (■), se tomará la señal de entrada del conector de entrada B (INPUT B) del panel trasero (toma de auriculares simétrica).

② Interruptor atenuador (PAD)

Este interruptor atenuador proporciona 20dB de reducción de nivel.

Si el nivel de la señal de entrada es demasiado alto y el control de ganancia (GAIN) ③ no lo reduce suficientemente, utilice este interruptor atenuador.

③ Control de ganancia (GAIN)

Dependiendo del nivel de la señal de entrada, utilice este mando para ajustar la entrada hasta alcanzar el nivel apropiado.

Se conseguirá el mejor equilibrio señal/ruido y gama dinámica ajustando el control de Ganancia para que el indicador de máximo ④ se ilumine de vez en cuando. Si usted desea reducir aún más el nivel de entrada, utilice el interruptor atenuador ②.

④ Indicador de máximo (PEAK)

Este indicador detecta los niveles de máximo después de que la señal atraviese el equalizador.

Se iluminará en color rojo a 3dB antes del corte para avisar que ya casi se ha alcanzado el nivel de corte.

⑤ Interruptor de filtro paso alto de 80Hz

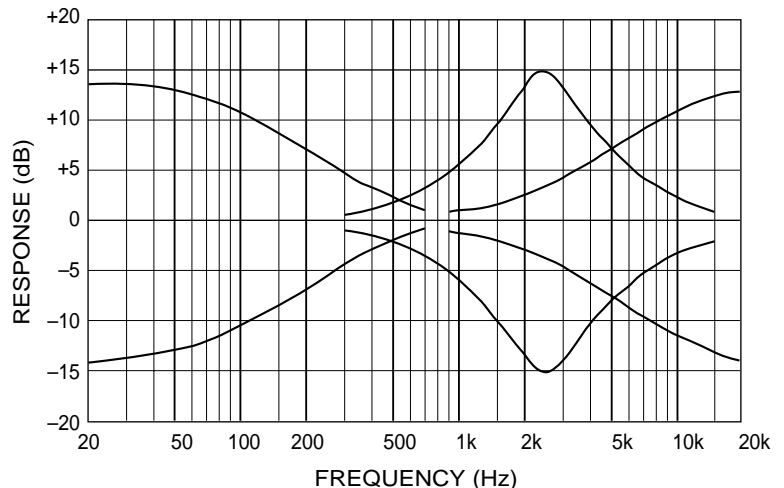
Este interruptor enciende y apaga un filtro paso alto que corta la señal por debajo de 80Hz a 12dB/octava.

⑥ Equalizador

La sección equalizador proporciona ± 15 dB de control sobre gamas alta, media y baja a las siguientes frecuencias.

- Alta (HIGH): 12kHz
- Media (MID): 2,5kHz
- Baja (LOW): 80Hz

La respuesta en frecuencia será plana cuando el mando se encuentre en la posición "▼".



⑦ **Controles auxiliares 1-4 (AUX 1-4)**

Estos mandos controlan el nivel de las señales enviadas hacia los buses auxiliares (AUX).

- Los controles auxiliares 1 y 2 (AUX 1, AUX 2) son controles pre-atenuador, y los niveles de las señales enviados hacia los buses Auxiliares 1 y 2 no se verán afectados por el ajuste del atenuador de canal.
- Los controles auxiliares 3 y 4 (AUX 3, AUX 4) son controles post-atenuador, y los niveles de las señales enviados hacia los buses auxiliares 3 y 4 se verán afectados por el ajuste del atenuador de canal.

⑧ **Control PAN (panpot)**

Este mando asigna la señal de cada canal hacia el bus estereofónico izquierdo, derecho (STEREO L,R), determinando la posición estereofónica del sonido.

⑨ **Interruptor de encendido de canal (ON)**

Cuando este interruptor está encendido, la señal de cada canal se enviará hacia el bus estereofónico izquierdo, derecho (STEREO L,R) y hacia los buses auxiliares 1-4 (AUX 1-4).

Cuando este interruptor está apagado, la señal de salida hacia cada bus quedará completamente silenciada. Este interruptor debería apagarse para aquellos canales que no se estén utilizando.

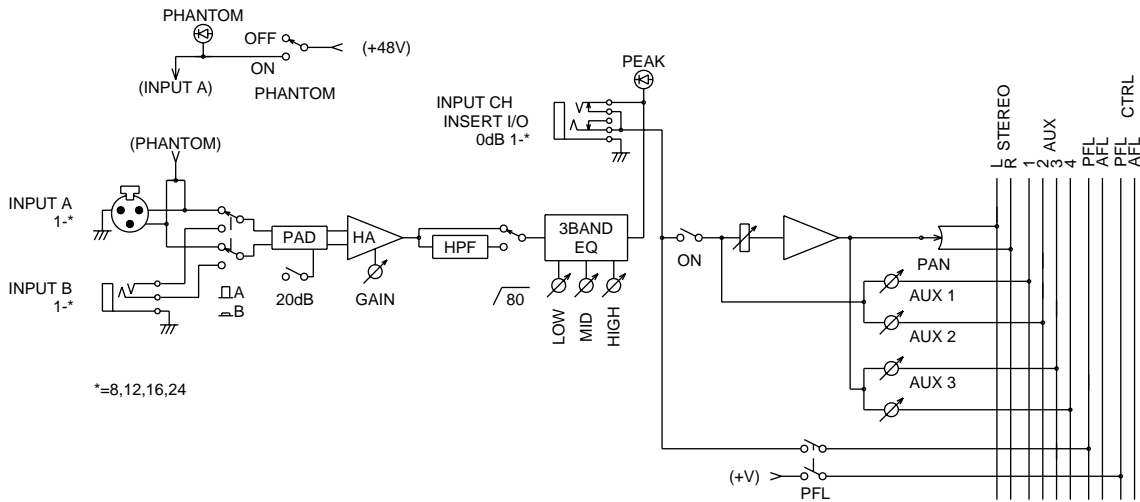
⑩ **Interruptor de escucha pre-atenuador (PFL) de canal**

Este interruptor le permite controlar la señal de entrada al canal pre-atenuador mediante los auriculares.

Es conveniente utilizar la escucha pre-atenuador (PFL) cuando desee comprobar el sonido de la señal de entrada, o cuando esté intentando reparar un canal determinado.

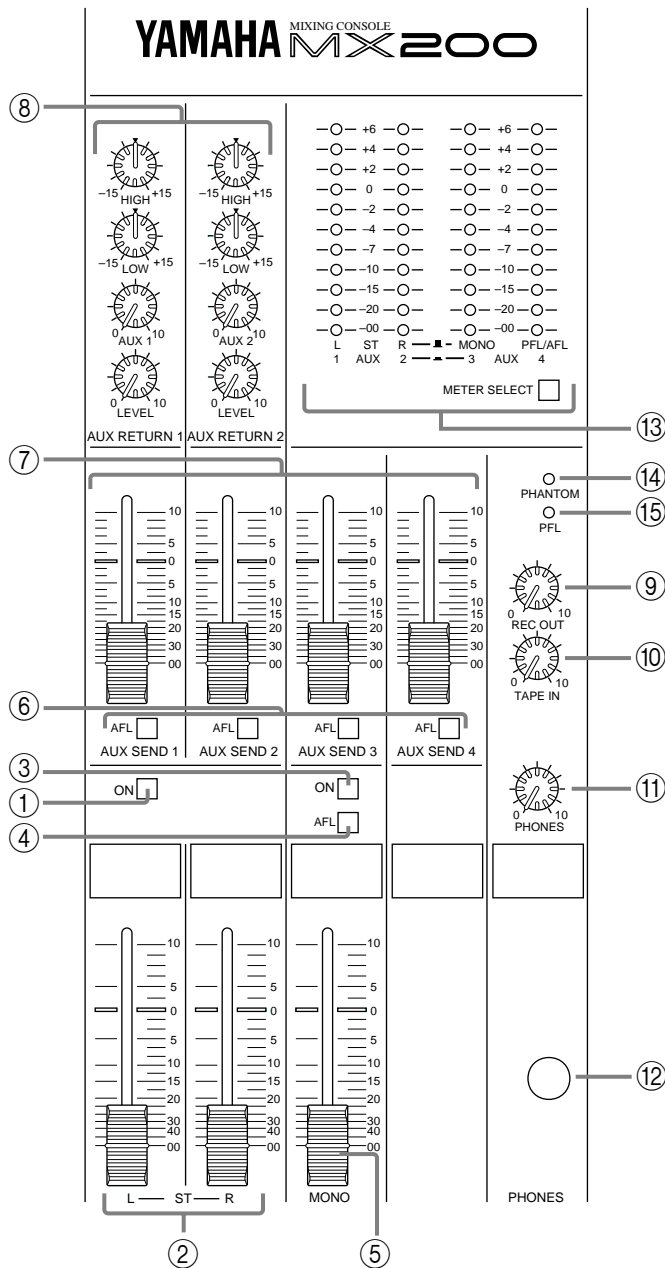
⑪ **Atenuador de canal**

Este atenuador controla el nivel de salida de la señal del canal de entrada, determinando el equilibrio del volumen entre los canales. Se debe rebajar el sonido del atenuador de canal cuando se trate de canales que no se estén utilizando.



■ Sección de control principal

Los medidores estereofónicos (ST) le permiten controlar las salidas izquierda (L) y derecha (R).



- ① **Interruptor de encendido del estéreo (STEREO ON)**
Este interruptor enciende y apaga la salida estereofónica (ST OUT).
Cuando este interruptor está apagado, no se visualizarán los niveles en los medidores estereofónicos (ST). La señal de la salida monoaural se enviará independientemente de la actuación de este interruptor.
- ② **Atenuadores principales estereofónicos izquierda, derecha (STEREO L,R)**
Estos atenuadores ajustan el nivel final de las señales combinadas de todos los canales, y las envían desde los conectores de salida estereofónica (STEREO OUT).

- ③ **Interruptor de encendido monoaural (MONO ON)**
Este interruptor enciende y apaga la salida monoaural (MONO OUT).
- ④ **Interruptor de escucha post-atenuador monoaural (MONO AFL)**
Cuando este interruptor está encendido, la señal que sale hacia la Salida Monoaural (MONO OUT) se puede monitorizar desde los auriculares.
- ⑤ **Atenuador monoaural (MONO)**
Este atenuador ajusta el nivel de salida del conector de la salida monoaural (MONO OUT).
- ⑥ **Interruptores de escucha post-atenuador de envíos auxiliares 1-4 (AUX SEND 1-4 AFL)**
Cuando usted desee controlar las señales de salida que se envían a los envíos auxiliares 1-4 (AUX SEND 1-4), presione el interruptor apropiado.
El nivel de los envíos auxiliares (AUX SEND) cuyo interruptor está encendido será indicado por el medidor PFL/AFL.
- ⑦ **Atenuadores de envío auxiliar (AUX SEND)**
Estos atenuadores ajustan el nivel de las señales de salida enviadas desde los envíos auxiliares 1-4 (AUX SEND 1-4). El interruptor del selector de medidor ⑧ (METER SELECT) se puede colocar de forma que estas señales de envío auxiliar (AUX SEND) sean controladas desde los medidores de nivel.
- ⑧ **Controles auxiliares de retorno 1, 2 (AUX RETURN 1, 2)**

<LEVEL>

Los mandos de nivel (LEVEL) controlan el nivel al cual las señales provenientes de las unidades de efectos, etc, conectadas a las tomas monoaurales izquierda/derecha (L MONO, R) de retorno auxiliares 1, 2 son enviadas hacia el bus izquierdo (L) o derecho (R).

Si hay una clavija insertada solamente en la toma monoaural izquierda (L/MONO), se enviará la misma señal hacia los dos buses izquierdo (L) y derecho (R).

<AUX 1 (AUX 2)>

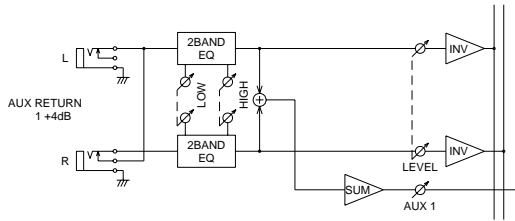
Los mandos auxiliares 1 (AUX 1) controlan el nivel al cual las señales provenientes de las unidades de efectos, etc, conectadas a las tomas monoaurales izquierda, derecha (L/MONO, R) de retornos auxiliares 1, 2 (AUX RETURN 1, 2) son enviadas hacia el atenuador de envío auxiliar 1(2) (AUX SEND 1(2)). Después de ser ajustada en el atenuador, la señal sale desde el envío auxiliar 1(2) (AUX SEND 1(2)) del panel trasero.

<LOW>

Este mando es un equalizador de baja frecuencia que facilita una equalización de declive de 80Hz de la entrada de señal hacia los retornos auxiliares (AUX RETURN).

<ALTO>

Este mando es un equalizador de alta frecuencia que facilita una equalización de declive de 12kHz de la entrada de señal hacia los retornos auxiliares (AUX RETURN).



⑨ Control salida de grabación (REC OUT)

Este mando ajusta el nivel de salida de las tomas de salida de grabación (REC OUT) (conector ⑤) conectadas a una platina de cinta, etc.

⑩ Control de entrada de cinta (TAPE IN)

Este mando ajusta el volumen de monitorización de una platina de cinta, etc, conectada a las tomas de entrada de cinta (TAPE IN).

⑪ Control de auriculares (PHONES)

Este mando ajusta el volumen de un juego de auriculares conectados a la toma de auriculares (PHONES).

⑫ Toma de auriculares (PHONES)

Conecte aquí los auriculares.

Usted podrá controlar las siguientes señales:

— Señales que se pueden controlar —

- La señal principal que sale hacia las tomas de salida estereofónica (ST OUT) (Apague todos los interruptores PFL y AFL).
- Las señales que entran hacia cada canal de entrada y son procesadas a través del equalizador de 3 bandas y de la toma de inserción de canal de entrada (entrada/salida) (INPUT CH INSERT I/O). (Encienda un interruptor PFL de canal).
- Las señales que salen hacia la salida monoaural (MONO OUT). (Encienda el interruptor AFL de la salida monoaural (MONO OUT)).

- Las señales auxiliares que salen de cada toma de envío auxiliar 1-4 (AUX SEND 1-4). (Encienda el interruptor AFL de los envíos auxiliares 1-4 (AUX SEND 1-4)).

⑬ Interruptor selector de medidor (METER SELECT) y sección del medidor

Los medidores son medidores con diodos fotoemisores de doble función que indican los niveles de las señales que son seleccionados por el interruptor Selector de Medidor (METER SELECT).

<Cuando está apagado (OFF) el selector de medidor (METER SELECT)>

- Estéreo izquierda, derecha (STEREO L,R) exhibe en el visualizador los niveles de salida de las tomas de salida estereofónicas (STEREO OUT).
- El nivel de salida monoaural (MONO OUT)..... exhibe en el visualizador el nivel de salida de la toma de salida monoaural (MONO OUT).
- El nivel PFL/AFL..... exhibe en el visualizador el nivel de entrada de los canales cuyos interruptores PFL estén encendidos, o el nivel de salida de las tomas estereofónicas (ST), de salida monoaural (MONO OUT), o de envíos auxiliares (AUX SEND) cuyos interruptores AFL estén encendidos (sección control principal ④, ⑥).

<Cuando el selector de medidor (METER SELECT) está encendido (ON)>

- Los envíos auxiliares 1-4 (AUX SEND 1-4)..... exhiben en el visualizador el nivel de las señales auxiliares que salen hacia las tomas de envíos auxiliares 1-4 (AUX SEND 1-4).

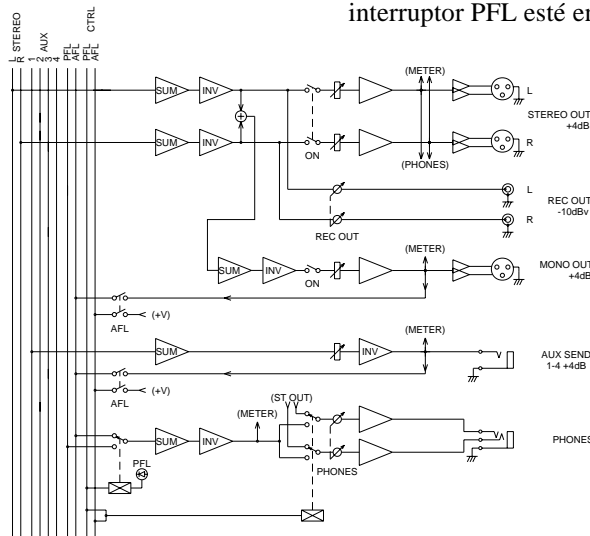
⑭ Indicador PHANTOM

Este indicador se encenderá cuando esté encendido el interruptor PHANTOM (panel trasero ②).

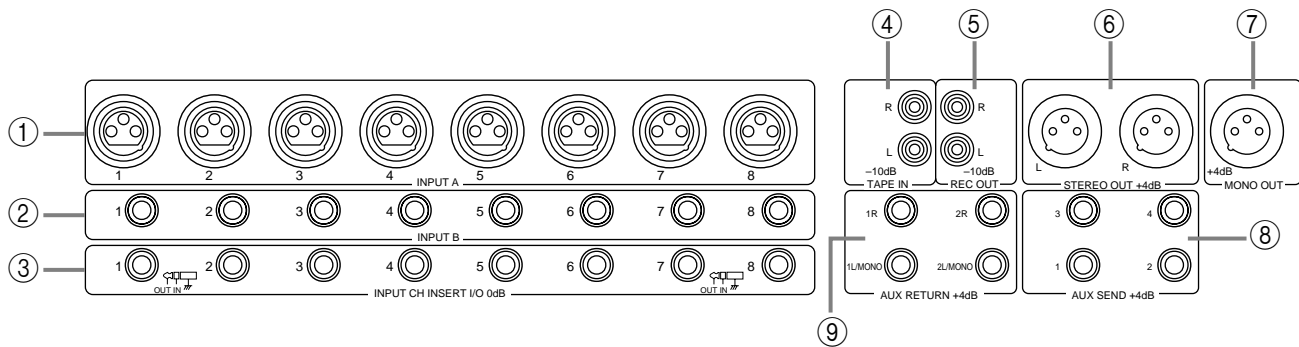
⑮ Indicador PFL

Este indicador se encenderá cuando esté encendido alguno de los interruptores PFL de canal (sección de control de canal ⑩).

En ese momento, el medidor PFL/AFL de la sección de medidores indicará cuál es el nivel del canal cuyo interruptor PFL esté encendido.



■ Conectores



① Entrada A (INPUT A)

Son conectores tipo XLR.

(1: manguito, 2: caliente, 3: frío)

Aquí se pueden conectar micrófonos de 50–600Ω o dispositivos de nivel de línea de 600Ω.

Cuando está encendido el interruptor PHANTOM (panel trasero ②), habrá una alimentación de +48 V CC hacia los pines 2 y 3 de estos conectores.

② Entrada B (INPUT B)

Se trata de conectores de auriculares simétricos.

(T: caliente, R: frío, S: manguito)

Aquí se pueden conectar micrófonos de 50–600Ω o dispositivos de nivel de línea de 600Ω.

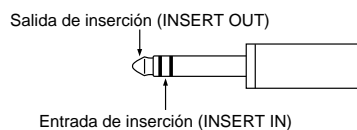
Los enchufes asimétricos de auriculares pueden también estar conectados, sin embargo, un ruido puede producirse con cables largos, o con cables sometidos a campos electromagnéticos fuertes causados por emisiones de radio o de televisión.

③ Inserción de canal de entrada (entrada/salida) 0dB (INPUT CH INSERT I/O)

Se trata de tomas de entrada/salida situadas entre el amplificador central y el equalizador de la sección de canal de entrada.

El nivel de entrada nominal y la impedancia nominal es de 0dB/600Ω, y el nivel de salida nominal y la impedancia nominal es de 0dB/10kΩ.

Estas tomas le permitirán insertar sus propios equalizadores gráficos, compresores, filtros de ruido, u otros dispositivos.



④ Entrada de cinta (TAPE IN)

Usted puede conectar directamente su platina de cinta de audio digital (DAT) o platina de cassette aquí para realizar una adecuada monitorización. Utilice el control de entrada de cinta (TAPE IN) para ajustar el nivel (sección de control principal ⑩).

⑤ Salida de grabación (REC OUT)

Usted puede conectar su platina de cinta de audio digital

(DAT) o platina de cassette aquí para grabar señales de audio desde la salida estéreo (STEREO OUT).

En este caso, el nivel de salida final se ajusta mediante el control de salida de grabación (REC OUT) (sección de control principal ⑨), y así los ajustes del atenuador estéreo izquierdo, derecho (STEREO L,R) no tendrán ningún efecto.

⑥ Salida estéreo (izquierda, derecha) (STEREO OUT, L,R)

Se trata de la salida estéreo de las señales de audio combinadas. Conecte estas tomas al amplificador de potencia que dirige sus altavoces principales.

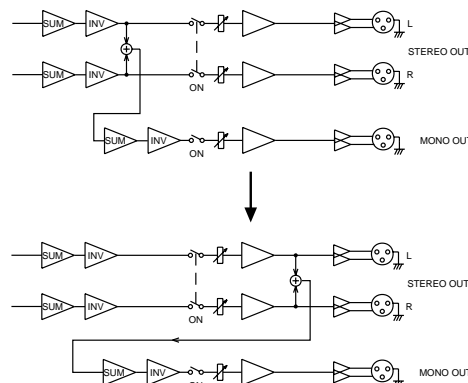
De forma alternativa, usted puede grabar la salida desde estas tomas si desea utilizar los atenuadores estéreo izquierdo, derecho (STEREO L,R) para ajustar el nivel de audio que se está grabando.

⑦ Salida monoaural (MONO OUT)

Se trata de la toma de salida monoaural (MONO OUT). La salida monoaural (MONO OUT) se puede utilizar tanto para grabar simplemente una actuación en vivo, como para dirigir un sub-amplificador de potencia, o para comprobar la cancelación de fase. fader settings will have no affect.

Se puede reconectar un puente interno para cambiar la ubicación de la salida monoaural (MONO OUT) hacia el atenuador post-estéreo. Si se hace esto, la señal de la salida monoaural (MONO OUT) se verá afectada por el interruptor de encendido del estéreo (STEREO ON).

Se pueden cambiar los hilos de los puentes internos para desplazar la señal de la salida monoaural (MONO OUT) de forma que sea tomada después de haber atravesado el atenuador estéreo (ST). Si desea que se efectúe este cambio, consulte con su distribuidor.



⑧ **Envíos auxiliares (1, 2, 3, 4) (AUX SEND, 1, 2, 3, 4)**

Se trata de tomas no simétricas que tienen una salida nominal e impedancia nominal de +4dB/600Ω. (Los envíos auxiliares 1 y 2 son pre-atenuador y los 3 y 4 son post-atenuador).

⑨ **Retornos auxiliares (AUX RETURN) (1L/MONO, 1R, 2L/MONO, 2R)**

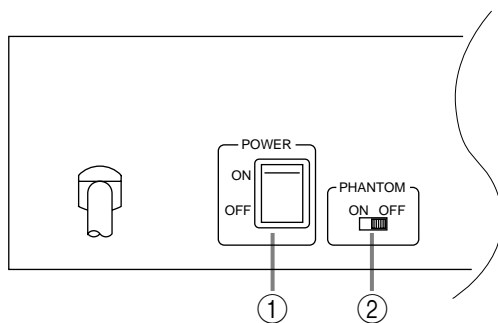
Se trata de tomas no simétricas que tienen un nivel de entrada nominal y una impedancia nominal de +4dB/10kΩ.

Estas tomas se utilizan normalmente para recibir los retornos de audio provenientes de una unidad de efectos, tales como la reverberación o el retraso, pero también se pueden utilizar como entradas complementarias.

Cuando se inserta una clavija solamente en izquierda/monoaural, se enviará la misma señal hacia los dos buses izquierdo (L) y derecho (R).

Panel trasero

Rear panel



① **Interruptor de alimentación (POWER)**

Este interruptor enciende la alimentación de la consola de mezclas.

Cuando se va a apagar la alimentación de un equipo de audio, es importante empezar por el dispositivo más cercano a los altavoces. (Normalmente, se tratará del amplificador de potencia).

(1) **Interruptor PHANTOM**

Este interruptor enciende y apaga el suministro de alimentación Phantom para todos los canales.

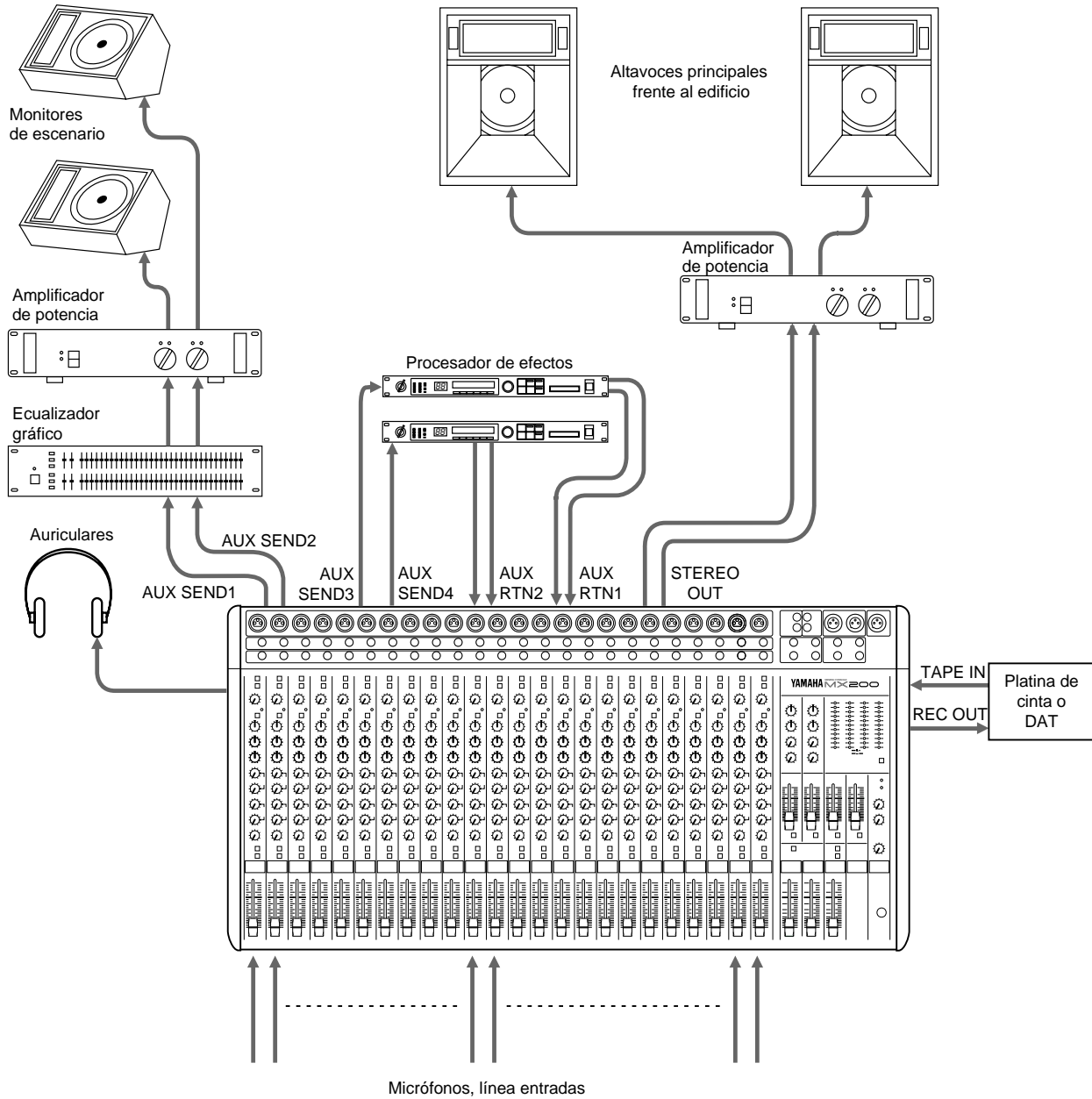
Utilice este interruptor cuando esté utilizando micrófonos de condensador.

Cuando este interruptor está encendido, se suministrará una alimentación de +48 V CC hacia los pines 2 y 3 de cada conector XLR de entrada A (INPUT A).

En el caso de que usted no necesite alimentación Phantom, asegúrese de dejar el interruptor apagado.

- Se pueden conectar de modo seguro micrófonos dinámicos simétricos o dispositivos de nivel de línea cuando este interruptor está encendido, pero al conectar dispositivos no simétricos o dispositivos cuyos transformadores tengan su centro conectado a tierra se producirán zumbidos o un funcionamiento inadecuado.

Ejemplo aplicable



Especificaciones

■ Especificaciones generales

Nivel máximo de salida	+24dB (STEREO L/R) @600 W, 0,5% DAT a 1kHz +24dB (MONO OUT) @600 W, 0,5% DAT a 1kHz +20dB (AUX SEND) @600 W, 0,5% DAT a 1kHz	
Distorsión armónica total	<0,1% @+14dB* 20Hz–20kHz (ST L/R, MONO, AUX SEND @600Ω)	
Respuesta en frecuencia	20Hz-20kHz +1dB, –2dB (ST L/R, MONO, AUX SEND @600Ω)	
Zumbido y ruido (Promedio, Rs=150Ω) (Medido con DIN AUDIO)	–127dB Ruido de entrada equivalente –95dB Ruido de salida residual (ST L/R, MONO) –95dB Ruido de salida residual (AUX SEND 1–4)	
	–88dB (STEREO, MONO)	Atenuador principal a nivel nominal y asignación de todos los canales apagada.
	–63dB (67dB Señal a Ruido)(STEREO, MONO)	Atenuador principal y atenuador de un canal a nivel nominal.
	–78dB (AUX SEND 1–4)	Atenuador principal de AUX SEND a nivel nominal, y asignación de todos los canales apagada.
	–63dB (67dB Señal a Ruido) (AUX SEND 1–4)	Atenuador principal de AUX SEND y control auxiliar (AUX) de un canal a nivel nominal.
Ganancia máxima de voltaje	84dB CH IN a STEREO OUT 84dB CH IN a MONO OUT 80dB CH IN a AUX SEND 1, 2 90dB CH IN a AUX SEND 3, 4 16dB AUX RETURN 1, 2 a STEREO OUT 16dB AUX RETURN 1, 2 a AUX SEND 1, 2 28dB TAPE IN 1, 2 a STEREO OUT	
Interferencia entre canales a 1kHz	–70dB entre canales de entrada –70dB entre canales de salida	
Control de ganancia (canales de entrada) Interruptor atenuador (canales de entrada)	44dB variable (–60– –16dB) 0/20dB	
Equalización de canal de entrada	±15dB máxima intensificación o corte Alta (HIGH): 12kHz tendencia descendiente Media (MID): 2,5kHz tendencia ascendiente Baja (LOW): 80Hz tendencia descendiente * Frecuencias de tránsito/atenuación progresiva: situadas 3dB por debajo de la intensificación/corte máximo.	
Medidores con diodos fotoemisores	Diodo fotoemisor de 10-segmentos × 4 Alimentación (POWER) (–∞) STEREO L/AUX SEND 1 (conmutable) STEREO R/AUX SEND 2 (conmutable) MONO/AUX SEND 3 (conmutable) PFL o AFL/AUX SEND 4 (conmutable)	
Indicadores de máximo de canal	Un indicador para cada canal se enciende cuando la señal pre-atenuador de canal llega a ser de 3dB inferior al nivel de corte.	
Alimentación Phantom	+48 V, CC	
Power supply/Power consumption EE.UU. y Canadá	MX200-8 120V CA 60Hz 45W, MX200-16 120V CA 60Hz 65W,	MX200-12 120V CA 60Hz 55W MX200-24 120V CA 60Hz 80W

General	MX200-8 230V CA 50Hz 45W, MX200-16 230V CA 50Hz 65W,	MX200-12 230V CA 50Hz 55W MX200-24 230V CA 50Hz 80W
Gran Bretaña	MX200-8 240V CA 50Hz 45W, MX200-16 240V CA 50Hz 65W,	MX200-12 240V CA 50Hz 55W MX200-24 240V CA 50Hz 80W
Dimensiones (W × H × D)	449 × 124.6 × 461.7 mm 569 × 124.6 × 461.7 mm 689 × 124.6 × 461.7 mm 929 × 124.6 × 461.7 mm	MX200-8 MX200-12 MX200-16 MX200-24
Peso	9.5kg 11kg 13.5kg 17kg	MX200-8 MX200-12 MX200-16 MX200-24

0dB=0.775 Vrms

■ Especificaciones de entrada

Conectores de entrada			Impedancia de entrada	Impedancia nominal	Nivel de entrada			Tipo de conector
Atenuador	Equilibrio de la ganancia	Sensibilidad del corte			Nivel nominal	Máximo antes		
Entrada de canal	OFF (0dB)	-60	4kΩ	Micrófono 50-600Ω & Línea 600Ω	-80dB (77.5μV)	-60dB (775μV)	-40dB (7.75mV)	Entrada A (INPUT A) tipo XLR 3-31 simétrico
		-16			-36dB (12.3mV)	-16dB (123mV)	+4dB (1.23V)	
	ON (20dB)							
AUX RETURN (1, 2)			10kΩ	Línea 600Ω	-12dB (195mV)	+4dB (1.23V)	+20dB (7.75V)	Toma de auriculares no simétrica
INSERT IN			5kΩ		-20dB (77.5mV)	0dB (775mV)	+20dB (7.75V)	Toma de auriculares (TRS) T=Salida, R=Entrada, S=Tierra
TAPE IN			10kΩ		-26dBV (50.1mV)	-10dBV (316mV)	—	Toma de pin RCA

0dB=0.775 Vrms, 0dBV=1 Vrms

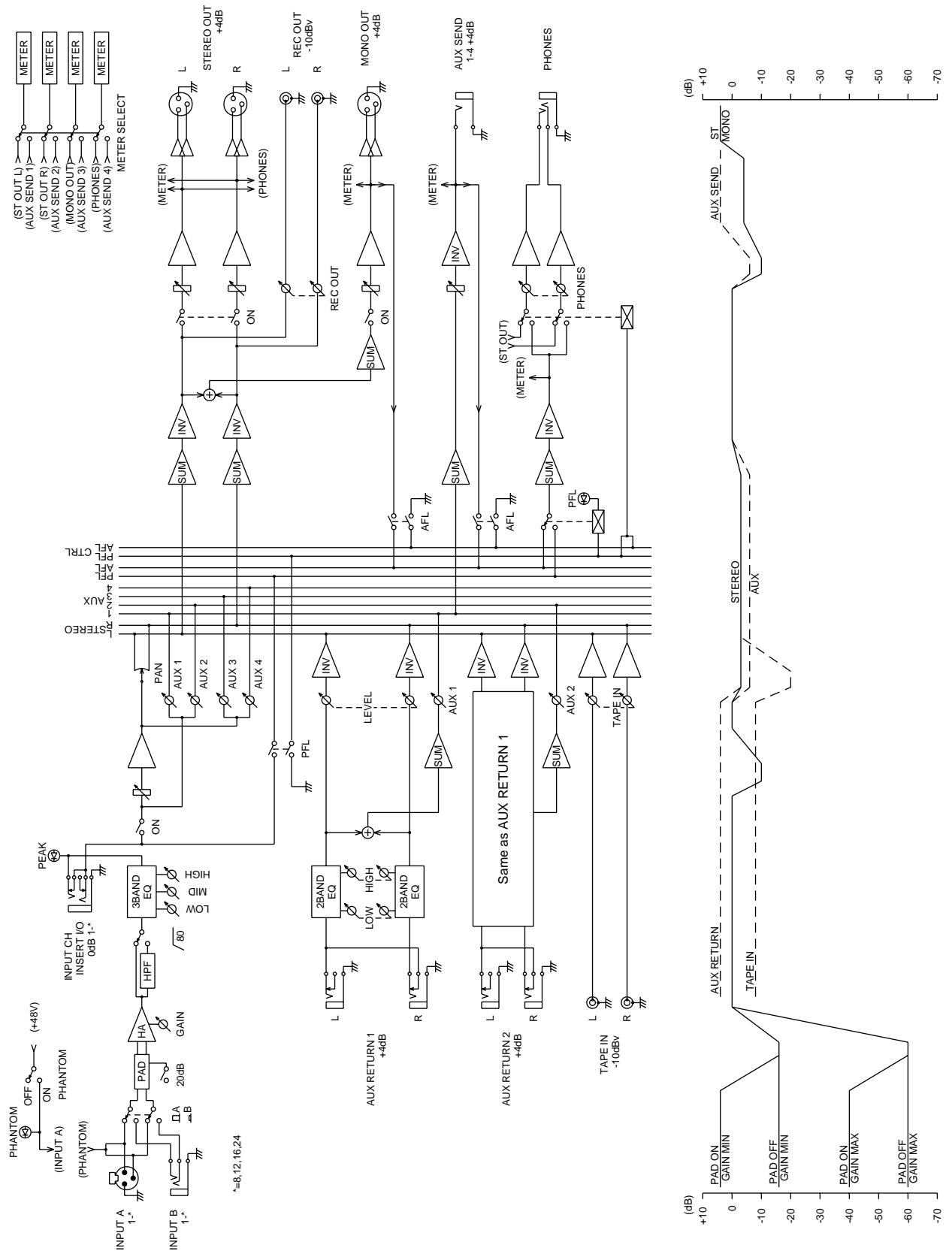
■ Especificaciones de salida

Conector de salida	Impedancia de salida	Impedancia nominal	Nivel de salida		Tipo de conector
			Nominal	Máximo antes del corte	
STEREO OUT L/R, MONO OUT	150Ω	Líneas 600Ω	+4dB(1.23V)	+24dB (12.3V)	Tipo XLR-3-32
REC OUT L/R	2kΩ	Líneas 10kΩ	-10dBV (316mV)	+16dBV (6.31V)	Toma de pin RCA
AUX SEND 1-4	75Ω	Líneas 600Ω	+4dB (1.23V)	+20dB (7.75V)	Toma de auriculares
INSERT OUT	600Ω	Líneas 10kΩ	0dB (775mV)	+20dB (7.75V)	Toma de auriculares (TRS) T=Salida, R=Entrada, S=Tierra
PHONES (head phone) OUT	100Ω	Auriculares 40Ω	3mW	120mW	Toma de auriculares estereofónicos

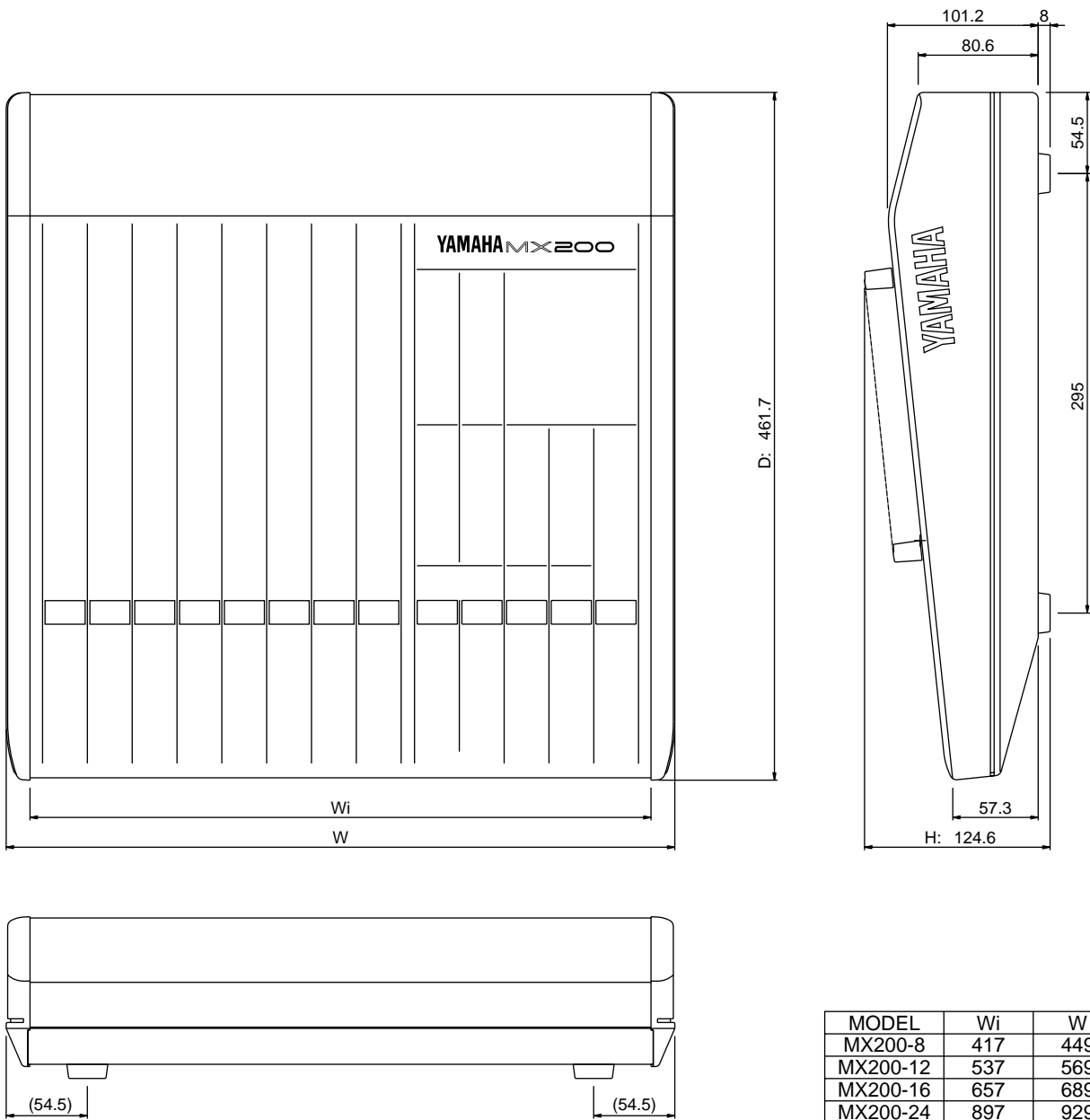
0dB=0.775 Vrms, 0dBV=1 Vrms

Las especificaciones y el aspecto del aparato están sujetos a cambios sin previo aviso con la finalidad de introducir mejoras en el producto.

■ Diagramas de bloque y de nivel



■ Dimensions



MODEL	W_i	W
MX200-8	417	449
MX200-12	537	569
MX200-16	657	689
MX200-24	897	929

Unidades: mm

YAMAHA