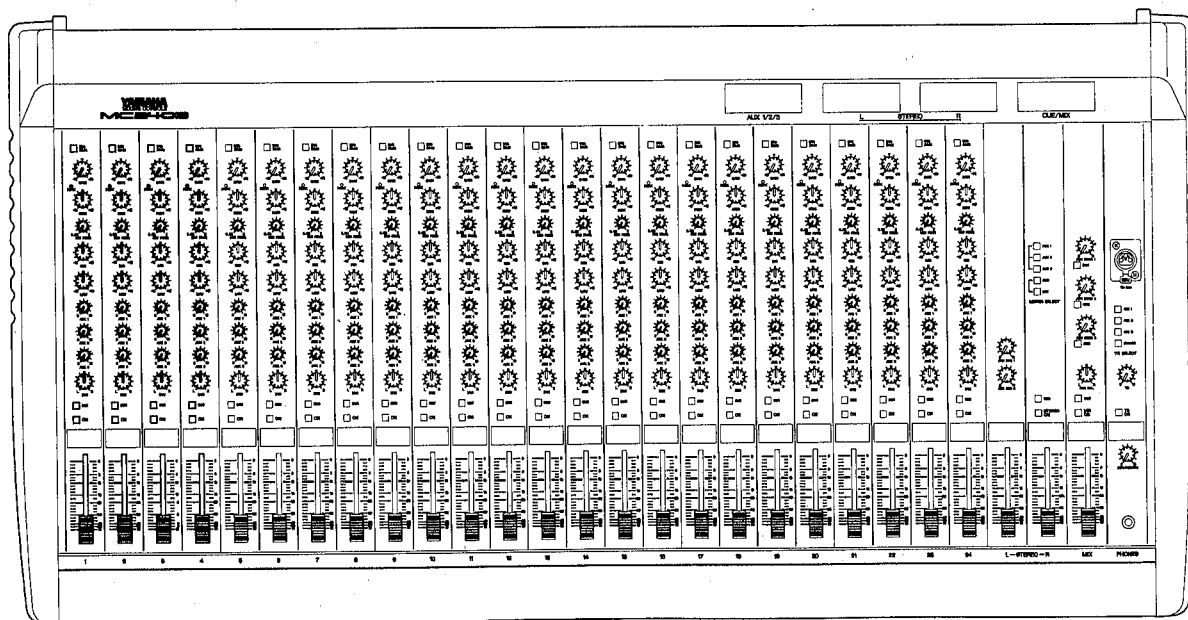


YAMAHA

MIXING CONSOLE
TABLE DE MIXAGE
MISCHPULTE
CONSOLA DE MEZCLA

MC803
MC1203
MC1603
MC2403

Operation Manual
Manuel d'instructions
Bedienungsanleitung
Manual de Operación



Congratulations!

You are the proud owner of a Yamaha MC-series Mixing Console. Whether you chose the 8, 12, 16 or 24-channel model, your Yamaha mixing console is a high-quality product which will give you superior performance in a wide range of applications. In addition to offering a versatile mixing system, the MC-series consoles offer electronically balanced inputs and stereo outputs to maintain optimum signal quality over long cable runs, a versatile 3-band equalizer with sweepable mid-frequency EQ on each input channel, three independent AUX submix systems for external effects routing or additional power amplifier feeds, cue switches for independent monitoring of all input channels and busses, an additional MIX buss, and a built-in talkback system for convenient communication.

Of course, the MC-series mixing consoles also offer the high standard of quality and great sound that Yamaha is famous for. We urge you to read this operation manual thoroughly in order to make the most of the mixer's many features and controls.

CONTENTS

PRECAUTIONS	2
FRONT PANEL CONTROLS	3
Input Channels	3
Master Control Section	5
REAR PANEL CONNECTORS AND CONTROLS	7
APPLICATION EXAMPLE	9
SPECIFICATIONS	10
General Specifications	10
Input Characteristics	12
Output Characteristics	12
Block & Level Diagrams	13
Dimensions	14

Dette apparat overholder det gældende EF-direktiv vedrørende radiostøj.

Cet appareil est conforme aux prescriptions de la directive communautaire 87/308/CEE.

Diese Geräte entsprechen der EG-Richtlinie 82/499/EWG und/oder 87/308/EWG.

This product complies with the radio frequency interference requirements of the Council Directive 82/499/EEC and/or 87/308/EEC.

Questo apparecchio è conforme al D.M.13 aprile 1989 (Direttiva CEE/87/308) sulla soppressione dei radiodisturbi.

Este producto está de acuerdo con los requisitos sobre interferencias de radio frecuencia fijados por el Consejo Directivo 87/308/CEE.

YAMAHA CORPORATION

* This applies only to products distributed by YAMAHA KEMBLE MUSIC (U.K.) LTD.

IMPORTANT NOTICE FOR THE UNITED KINGDOM

Connecting the Plug and Cord

IMPORTANT: The wires in this mains lead are coloured in accordance with the following code:

Blue	:	NEUTRAL
Brown	:	LIVE

As the colours of the wires in the mains lead of this apparatus may not correspond with the coloured markings identifying the terminals in your plug, proceed as follows:

The wire which is coloured BLUE must be connected to the terminal which is marked with the letter N or coloured BLACK.

The wire which is coloured BROWN must be connected to the terminal which is marked with the letter L or coloured RED.

Making sure that neither core is connected to the earth terminal of the three pin plug.

* This applies only to products distributed by YAMAHA KEMBLE MUSIC (U.K.) LTD.

PRECAUTIONS

1. AVOID EXCESSIVE HEAT, HUMIDITY, DUST AND VIBRATION

Keep the unit away from locations where it is likely to be exposed to high temperatures or humidity – such as near radiators, stoves, etc. Also avoid locations which are subject to excessive dirt accumulation or vibration which could cause mechanical damage.

2. AVOID PHYSICAL SHOCKS

Strong physical shocks to the unit can cause damage. Handle it with care.

3. DO NOT OPEN THE UNIT, OR ATTEMPT REPAIRS OR MODIFICATIONS YOURSELF

This product contains no user-serviceable parts. Refer all maintenance to qualified Yamaha service personnel. Opening the unit and/or tampering with the internal circuitry will void the warranty.

4. MAKE SURE POWER IS OFF BEFORE MAKING OR REMOVING CONNECTIONS

Always turn the power OFF prior to connecting or disconnecting cables. This is important to prevent damage to the unit itself as well as other connected equipment.

5. HANDLE CABLES CAREFULLY

Always plug and unplug cables – including the AC cord – by gripping the connector, not the cord.

6. CLEAN WITH A SOFT DRY CLOTH

Never use solvents such as benzine or thinner to clean the unit. Wipe clean with a soft, dry cloth.

7. ALWAYS USE THE CORRECT POWER SOURCE

Make sure that the power source voltage specified on the rear panel matches your local AC mains supply:

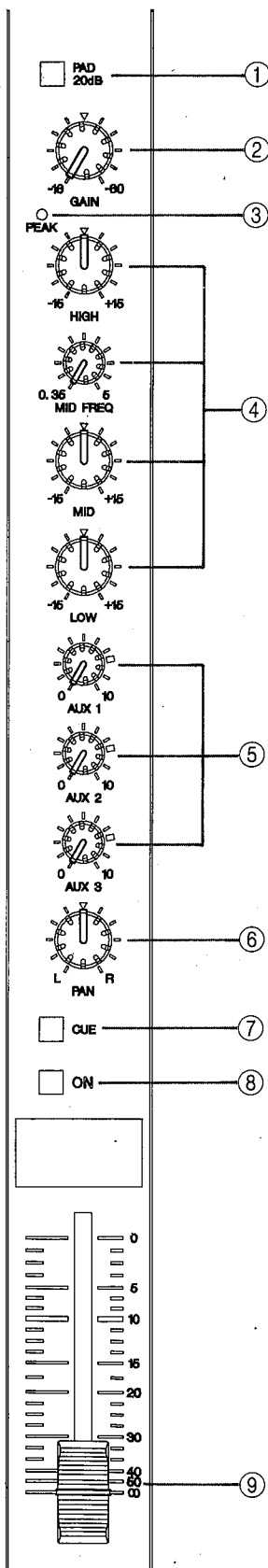
U.S. & Canadian Model: 120V AC, 60Hz

British Model : 240V AC, 50Hz

General Model: 230V AC, 50Hz

FRONT PANEL CONTROLS

Input Channels



① PAD switch

This switch attenuates the signal applied to the corresponding rear-panel HI-Z or LO-Z input by 20dB prior to the head amplifier and input gain control. The PAD switch effectively increases the range of input signal levels that can be handled by the mixer, preventing overloading of the input circuitry when receiving high-level signals.

② GAIN control

This control adjusts the input sensitivity of each input channel between -60dB (0.775 mV) and -20dB (77.5 mV) when the PAD switch is OFF (between -40dB and 0dB when the PAD switch is ON). This continuously variable gain control allows optimum matching with virtually any microphone or line source.

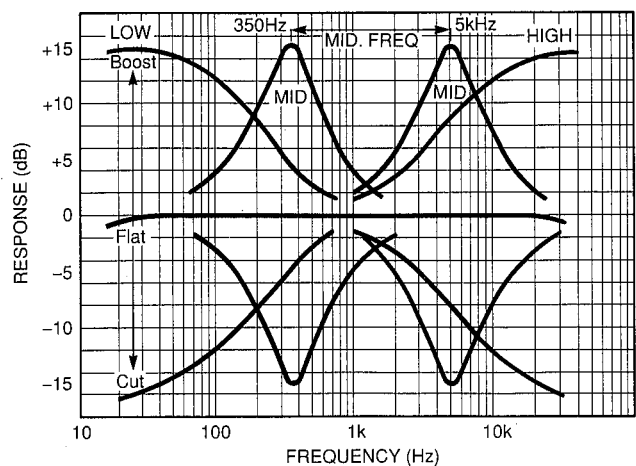
③ PEAK indicator

The PEAK indicator LED lights when the post-EQ signal of the corresponding channel's input reaches a level 3dB below the clipping level of the channel's circuitry. If the PEAK indicator lights more than only briefly on high-level transients it is necessary to decrease the input sensitivity of the channel using the GAIN control and PAD switch. Alternatively, if this does not provide sufficient attenuation, reduce the output level of the source connected to that channel's input.

④ 3-band equalizer

The equalizer section provided on each input channel consists of shelving LOW and HIGH controls, and a peaking MID control with a MID FREQ control that permits sweeping the midrange center frequency from 350 Hz to 5 kHz.

Control	Maximum Boost/Cut	Frequency	Type
HIGH	±15 dB	10kHz @±12dB	Shelving
MID	±15 dB	0.35 to 5kHz	Peaking
LOW	±15 dB	100Hz @±12dB	Shelving



⑤ **AUX send controls (1, 2 & 3)**

The MC-series mixing consoles have three independent AUX busses which are fed by the corresponding AUX controls on the input channels. Each AUX control determines the level of the signal sent from that channel to the correspondingly numbered AUX mixing buss, which in turn feeds the correspondingly numbered AUX SEND control and AUX SEND jack on the console's rear panel. The AUX controls can be used to determine the amount of signal from the corresponding input channel sent to external effect devices or power amps fed by the AUX SEND jacks.

- AUX 1 is factory pre-wired for pre-EQ/pre-fader operation, so the AUX 1 signal is not affected by the setting of the channel EQ controls' or fader. An internal jumper allows the AUX 1 control to be rewired for post-EQ/post-fader operation.
- AUX 2 and AUX 3 are factory/ pre-wired for post-EQ/post-fader operation, so the AUX 2 and AUX 3 signals are affected by the setting of the channel EQ controls and fader. Internal jumpers allow the AUX 1 control to be rewired for pre-EQ/pre-fader operation.
- An internal post-EQ jumper allows the AUX controls to be further re-configured for post-EQ/pre-fader operation.
- REFER THE ABOVE-MENTIONED REWIRING JOBS TO QUALIFIED YAMAHA SERVICE PERSONNEL!

⑥ **PAN pot**

The PAN pot determines the position in the stereo sound field at which the sound from that channel is heard. When it is rotated fully counterclockwise, the channel signal will be delivered from the left stereo output only, and will be heard at the far left of the sound field. If the PAN pot is turned fully clockwise, the sound from that channel will appear at the far right of the stereo sound field. If the PAN pot is set at its center position, the channel signal will be sent equally to both the left and right channels, causing the sound to appear at the center of the sound field. Intermediate PAN pot settings cause the sound to be heard at the corresponding position.

⑦ **Channel CUE switch**

When the CUE switch is pressed, the pre-EQ/pre-fader signal from that channel is fed to the PHONES output via the CUE/PHONES level control. The channel cue signal will be added to any other active cue signal. If you want to monitor only the signal from a single channel, make sure all other CUE switches are turned OFF.

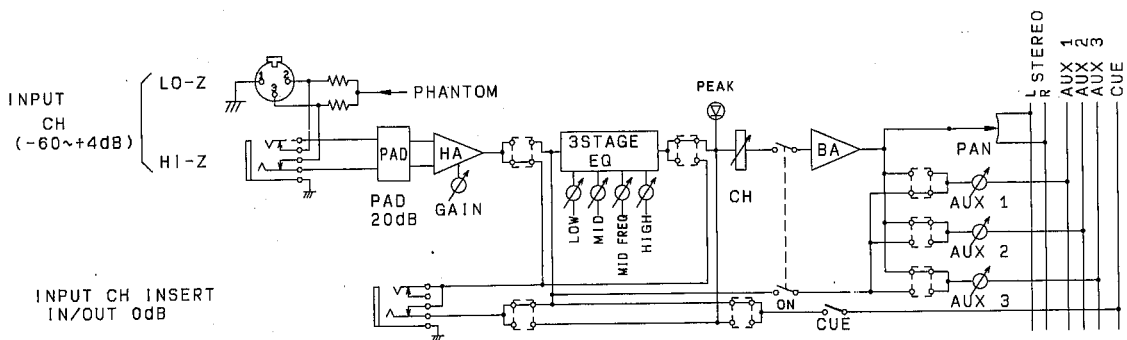
- The CUE buss is factory-wired to be fed with a pre-EQ signal. This can be changed by internal jumpers to be post-EQ.
- REFER THE ABOVE-MENTIONED REWIRING JOB TO QUALIFIED YAMAHA SERVICE PERSONNEL!

⑧ **Channel ON switch**

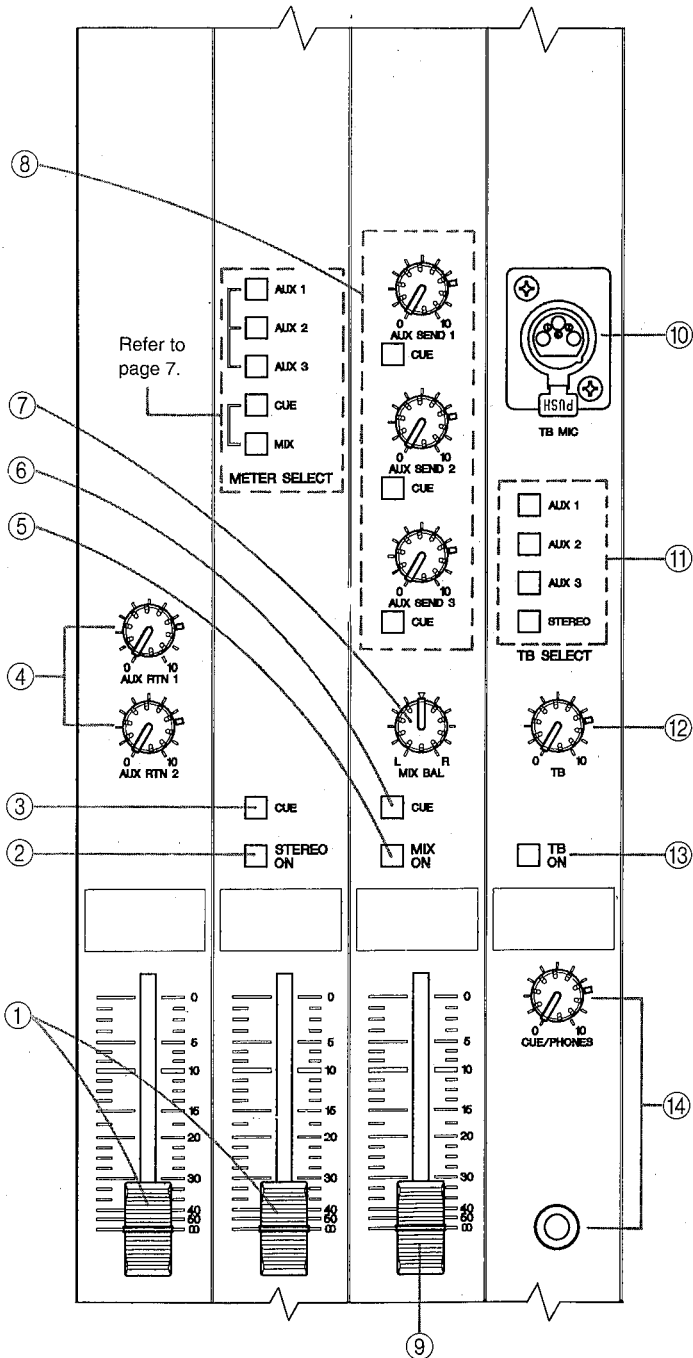
The ON switch on each channel switches the channel signal to the L and R stereo busses, the MIX outputs, the three AUX send busses. When ON (depressed), the channel signal will be sent to all these busses. When OFF, the channel's signal will be silenced. It is therefore possible to use this switch as a mute switch to avoid unwanted microphone overspill in quiet passages, for example.

⑨ **Channel fader**

This is the main level control for each input channel. It determines the level of the signal sent from the corresponding input channel to the master stereo buss. The settings of the input channel faders determine the "mix" or balance of sound levels between the instruments or other sources connected to the inputs.



Master Control Section



① Stereo master faders

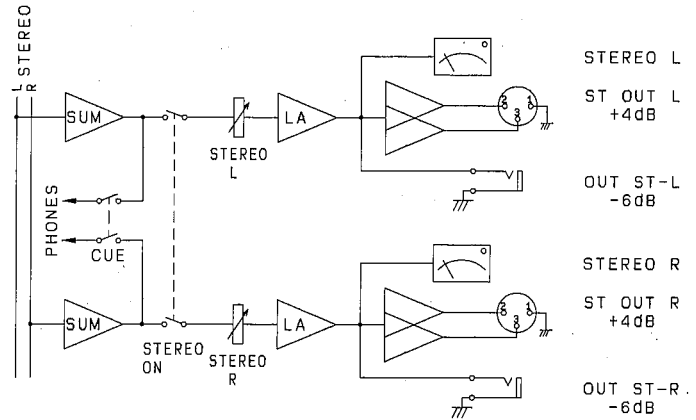
The stereo master faders independently adjust the level of the left and right channel main stereo program buss signals appearing at the ST OUT connectors.

② STEREO ON switch

Turning this switch ON will turn the main stereo buss signals on and off. This switch is located before the faders and before the meters in the signal chain. In other words, if this switch is OFF, no signal levels will be shown on the main STEREO meters. The signal sent out to MIX is unaffected by this switch.

③ Stereo CUE switch

Turning this switch ON sends the main stereo program buss signal, in stereo, to the stereo PHONES jack, via the CUE/PHONES control. The stereo CUE switch should be turned ON to permit headphone monitoring of the main stereo program, but it must be turned OFF to individually monitor input channel or AUX buss cue signals.



④ AUX RTN 1 and AUX RTN 2 controls

These controls adjust the level of the signal received at the rear-panel AUX RTN jacks and mixed into the main stereo program. Since stereo AUX returns are provided (AUX RTN 1 L & R, AUX RTN 2 L & R) the AUX RTN controls simultaneously adjust the level of the signals appearing at the corresponding L and R return inputs. The returned L and R channel signals are sent to the L and R stereo buss lines. If only a single-channel signal is returned (i.e. a plug is inserted into only the L or R return jack), the signal will be fed to both the L and R channels of the stereo buss.

Note that there is no dedicated AUX RTN3 control. If you want to return a signal from any device connected to AUX3, you should reroute it to one (or two, if stereo) of the input channels.

⑤ MIX ON switch

This enables or disables the routing of the L and R signals to the MIX outputs. The MIX outputs may be used for making a simple recording of a live performance, or may be used to drive a second set of power amplifiers and speakers for phase compensation, etc.

⑥ **Mix CUE switch**

This switch routes the MIX signal to the CUE buss (allowing you to monitor the MIX signal using headphones).

⑦ **MIX BAL pot**

This control adjusts the relative left/right balance of the signals sent to the MIX outputs.

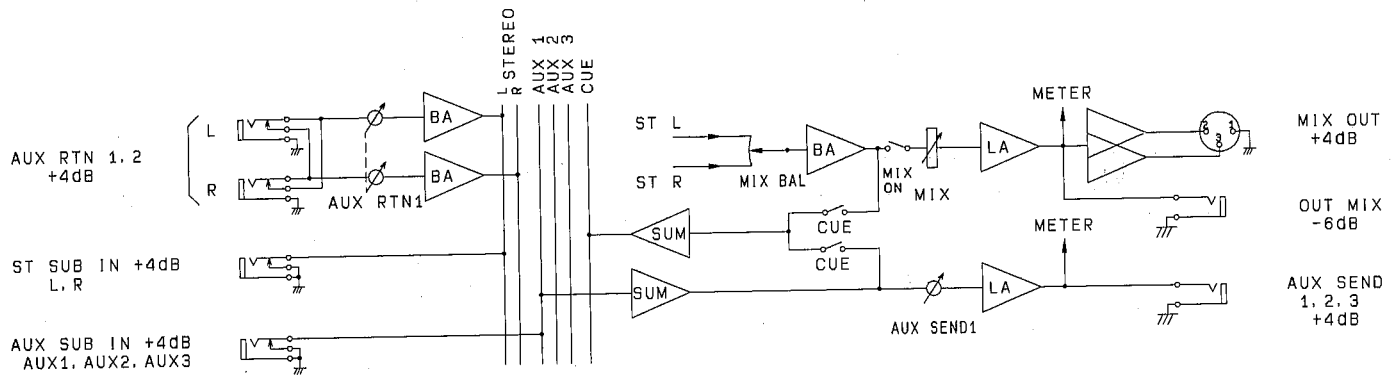
⑧ **AUX SEND (1, 2 & 3) controls & CUE switches**

These adjust the overall output level of the auxiliary "mixes" set up using the AUX 1, AUX 2 and AUX 3 controls on the input channels. The levels appearing at the AUX outputs are controlled by the corresponding AUX SEND control. These controls should be used to make

an optimal match of the AUX SEND output level of the mixing console with the input sensitivity of the effect unit, signal processing device or amplifier used. The CUE switches associated with each AUX SEND control can be used to send the corresponding AUX SEND signal to the PHONES jack via the CUE/PHONES level control. The AUX cue signal(s) will be added to any other active cue signal. If you want to monitor only the signal from a single AUX buss, make sure all other CUE switches are turned OFF.

⑨ **Mix fader**

This fader adjusts the level of the signal sent to the MIX outputs.



⑩ **TB MIC (talkback microphone connector)**

This female XLR-type connector accepts just about any standard 50 to 600Ω microphone for talkback pickup. A gooseneck-type microphone that can be positioned for the most comfortable operation is an excellent choice.

⑪ **TB SELECT (talkback assignment switches) (AUX1/AUX 2/AUX 3/STEREO)**

These switches allow the talkback signal to be fed to the STEREO, AUX 1, AUX 2 or AUX 3 busses. Any number of switches may be ON at the same time, so you can route this talkback to a number of the console's busses simultaneously.

⑫ **TB (talkback) level control**

Adjusts the level of the talkback signal sent to the selected buss(es).

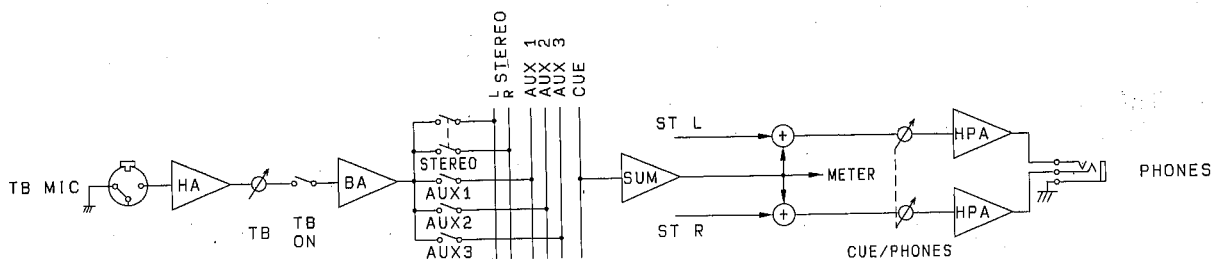
⑬ **TB (talkback) ON switch**

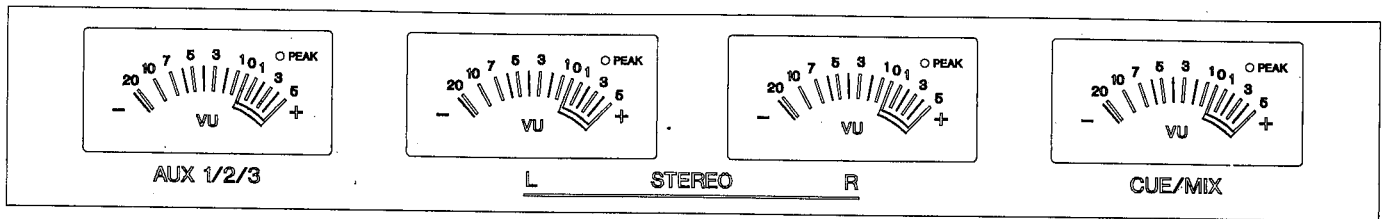
Pressing this switch activates the talkback microphone plugged into the TB MIC connector allowing voice communication from the console operator to the STEREO, AUX, AUX 2 or AUX 3 busses according to the setting of the talkback assignment switches.

⑭ **CUE/PHONES control and PHONES Jack**

The CUE/PHONES control adjusts the level of the cue signal sent to the PHONES jack so you can set the most comfortable headphone monitoring level. The stereo phone jack accepts any standard stereo headphone set.

- The STEREO cue signal appears in stereo at the phones jack, while the channel and AUX cue signals are monaural.



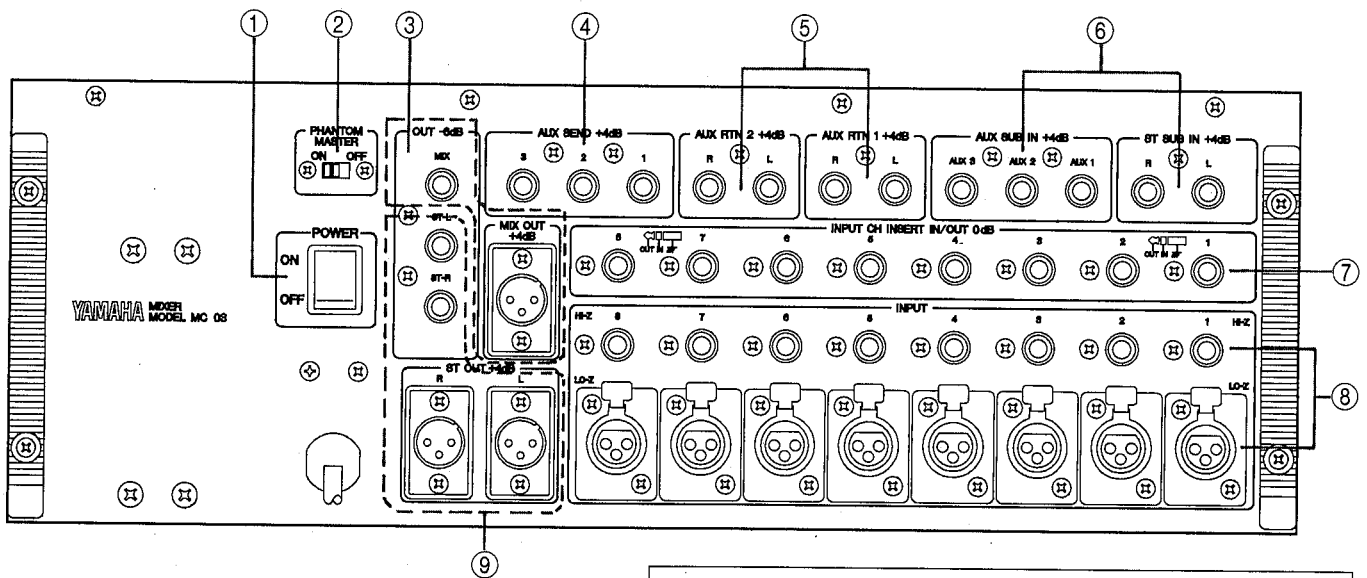


**VU meters and METER SELECT switches
(AUX 1/AUX 2/AUX 3/CUE/MIX)**

The MC-series mixing console features four VU meters with built-in LED peak indicators for monitoring signal levels. The peak LED light at +14dB. The center meter pair (L STEREO R) continuously monitors signals on the

main stereo program buss. The AUX 1/2/3 meter can be switched to monitor signals on the AUX 1, AUX 2 or AUX 3 busses by pressing the corresponding METER assign switch. The right meter can be switched between monitoring the CUE or MIX levels by pressing the CUE or MIX METER SELECT switch.

REAR PANEL CONNECTORS AND CONTROLS



MICROPHONE CABLES AND MICROPHONES CONNECTION
TO PREVENT HAZARD OR DAMAGE, ENSURE THAT ONLY MICROPHONE CABLES AND MICROPHONES DESIGNED TO THE IEC268-15A STANDARD ARE CONNECTED.

- ① **POWER switch**
Flip up to turn the power ON, and down to turn the power OFF. The VU meter lamps will light when the power is ON.
- ② **PHANTOM MASTER switch**
Turn this switch ON to apply +48V DC to the LO-Z XLR-type input connectors when using phantom-powered condenser microphones.
• NEVER turn the PHANTOM MASTER switch ON when using line-level sources connected to the LO-Z inputs.

- ③ **MIX OUT connectors**
The MIX OUT connectors (balanced XLR-type and unbalanced phone) carry the mono MIX outputs signals. Signal levels are the same as for the stereo OUT connectors.
- ④ **AUX SEND (1, 2 & 3) jacks**
These jacks deliver the AUX 1, AUX 2 and AUX 3 mixes, respectively, to feed an external effect device or power amplifier. Nominal output level /impedance is +4dB/10kΩ.

⑤ **AUX RTN 1 & AUX RTN 2 jacks**

The mono or stereo output from effect units fed by the AUX SEND jacks can be returned to the main stereo program mix via these jacks. Note that each AUX RTN offers independent return inputs for the left and right busses, accommodating the return signal from effect units featuring stereo outputs. Nominal input level/impedance is +4dB/600Ω.

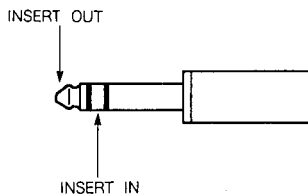
⑥ **AUX SUB IN & ST SUB IN jacks**

These five jacks permit "cascading" two MC-series mixing consoles to increase the number of available input channels. The AUX OUT jacks from the first (slave) console should be connected to the corresponding AUX SUB IN jacks of the second (master) console, and the STEREO outputs from the slave console should be connected to the corresponding ST SUB IN jacks on the master console.

⑦ **INPUT CH INSERT IN/OUT Jacks**

These jacks permit inserting compressors, limiters or other types of external signal processing equipment between the head amplifier and EQ stage of each input channel. The jacks are tip-ring-sleeve types in which the tip is SEND (the output from the head amplifier), the ring is RETURN (the input to the EQ stage), and the sleeve is ground. External equipment may be inserted using "Y" cables which branch the SEND and RETURN lines from a tip-ring-sleeve phone plug to two separate mono phone plugs.

- The INSERT OUT signals are factory-wired to be pre-EQ. This can be changed by internal jumpers to be post-EQ.
- REFER THE ABOVE-MENTIONED REWIRING JOB TO QUALIFIED YAMAHA SERVICE PERSONNEL!



⑧ **HI-Z and LO-Z INPUT connectors**

Each input channel offers a choice of two input connectors: a balanced LO-Z (low-impedance) XLR-type connector and a HI-Z (high-impedance) tip-ring-sleeve 1/4" phone jack. The LO-Z inputs are primarily intended for electronic instruments having low-impedance balanced outputs. The HI-Z inputs will accept either balanced or unbalanced signals from high-impedance microphones, musical instruments or other such equipment.

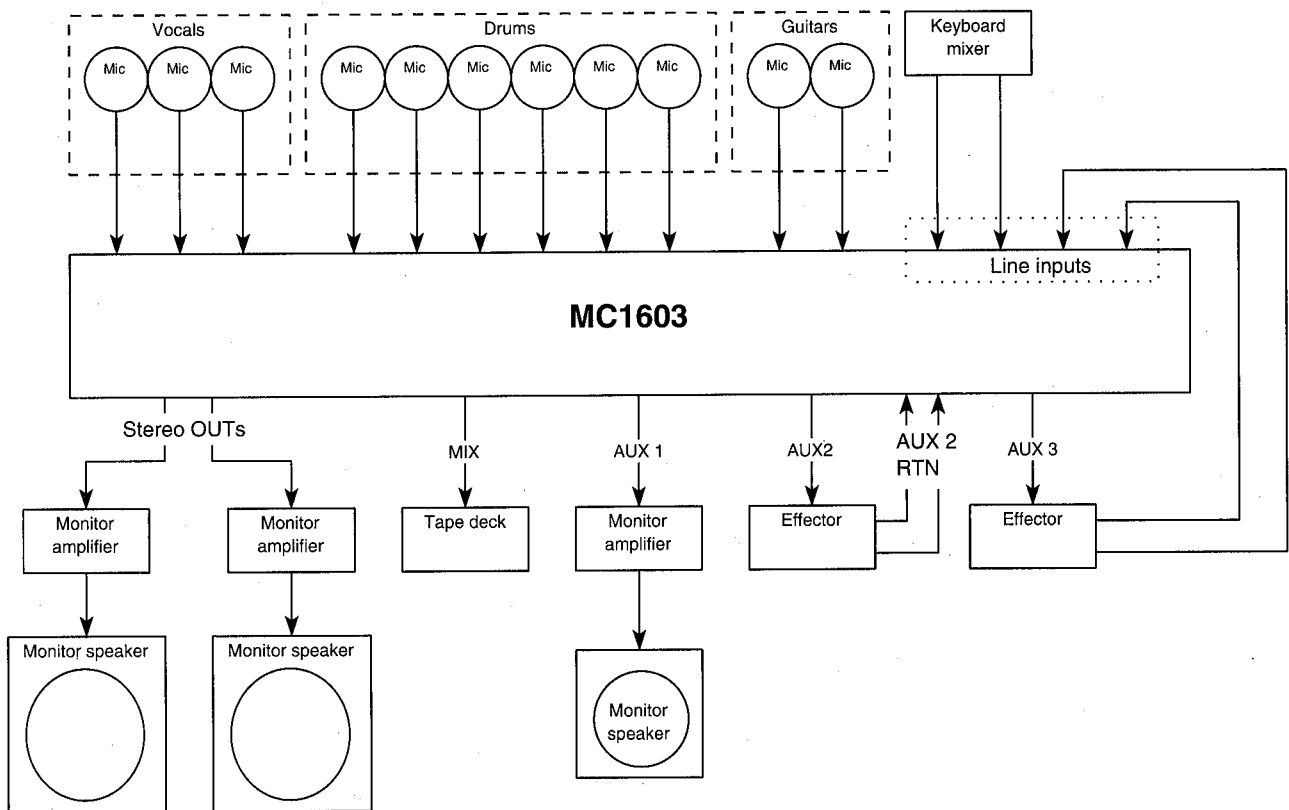
⑨ **ST OUT (stereo) L & R connectors**

The MC-series mixing consoles provide balanced XLR-type connector outputs from the main stereo buss, as well as unbalanced phone connectors. The signal delivered is a stereo mix of the input channel signals and the signals returned to the AUX RTN jacks. The stereo OUT signal will normally be used to drive a power amplifier and speaker system, powered keyboard speakers or a main house mixing console. The nominal output level/load impedance of the XLR-type output signals is +4dB/600Ω. The nominal output level at the phone connectors is -6dB.

NOTE: The MC-series mixing console XLR-type connectors are wired according to DIN specifications. Pin 1 is shield (ground), pin 2 is hot (signal high) and pin 3 is cold (signal low).

APPLICATION EXAMPLE

In the system shown below the MC1603 is used as the main console in a sound reinforcement system. Three vocal microphones, six drum microphones, a microphone from the guitar amplifier and another from the bass amplifier are connected to 11 of the 16 available LO-Z inputs. The line-level stereo outputs from an on-stage keyboard mixer are fed to two HI-Z inputs. A total of 13 input channels are thus used, leaving three free – two for the AUX 3 returns, and one as a spare. The AUX 2 and AUX 3 busses (post-fader) feed digital reverb/effects units to add ambience and effects where necessary (the AUX 3 returns are looped back to two input channels). The AUX 1 buss (pre-fader) drives the on-stage power amplifiers and monitor speakers for the performers. The MIX outputs feeds a tape recorder to make a rough mono recording of the performance. The stereo OUT connectors drive the main house power amplifiers and speaker system. This is just one possible way of setting up the MC1603 for a sound reinforcement application. The actual setup you use will, naturally, be dictated by your own particular system requirements.



SPECIFICATIONS

■ General Specifications

Frequency Response	20Hz — 20kHz	+1/-3dB	@600 Ω , +4dB
Total Harmonic Distortion	< 0.1%	20Hz — 20kHz	@600 Ω , +4dB
Hum and Noise*1			
ST OUT, MIX OUT, AUX SEND	-128dB	Equivalent input noise	
ST OUT, MIX OUT	-96dB	Residual output noise	
ST OUT	-88dB	Master fader at nominal All channel ON switches off	
	-64dB	Master fader at nominal One channel fader at nominal	
AUX SEND	-78dB	AUX SEND control at nominal All channel ON switches off	
	-64dB	AUX SEND control at nominal One channel AUX control at nominal	
Maximum voltage gain	84dB	CH INPUT → ST OUT, MIX OUT	
	76dB	CH INPUT → AUX SEND 1	
	86dB	CH INPUT → AUX SEND 2, 3	
	16dB	AUX RTN → ST OUT	
	10dB	SUB IN → ST OUT	
	6dB	SUB IN → AUX SEND	
	66dB	TALKBACK → ST OUT	
Crosstalk @ 1kHz	-70dB	adjacent input channels	
	-70dB	input to output, PAN	
Input channel equalization	±15dB maximum cut or boost in each of three bands		
	HIGH	10kHz*2 shelving	
	MID	350Hz to 5kHz peaking	
	LOW	100Hz*2 shelving	
VU meters (0VU=+4dB or 1.23Vrms output level)	4 illuminated meters (#1 – AUX 1, 2, 3; switchable, #2 and #3 – STEREO L and R, #4 – MIX/CUE; switchable). Peak LED on each meter turns on when signal level reaches +14dB level.		
PEAK indicators	Red LED on each channel, turn on when post-EQ signal reaches 3dB below clip level		
Phantom power	+48VDC supplied via 6.8kΩ current limiting/isolation resistors to balanced inputs for powering condenser microphones		

Power requirements		US and Canadian models	120VAC, 60Hz	
		British model	240VAC, 50Hz	
		General model	230VAC, 50Hz	
Power consumption		MC803	40W	
		MC1203	45W	
		MC1603	50W	
		MC2403	60W	
Dimensions	Height		167 mm (6.55 in)	
	Depth		543mm (21.35 in)	
	Width	MC803		506mm (19.92 in)
		MC1203		642mm (25.28 in)
		MC1603		778mm (30.63 in)
MC2403			1050mm (41.34 in)	
Weight	MC803		12.5kg (27.6 lbs)	
	MC1203		15.5kg (34.2 lbs)	
	MC1603		18.5kg (40.8 lbs)	
	MC 2403		24.5kg (54.1 lbs)	

- 0 dB = 0.775 Vrms.
- Nominal level All faders: -10 dB
All level controls: -6 dB

*1 @20Hz — 20kHz, $R_s = 150\Omega$ measured with a -6 dB/octave LPF 12.7 kHz

*2 Turnover/roll-off frequency: 3 dB below maximum variable level

■ Input Characteristics

	INPUT		INPUT IMPEDANCE	SOURCE IMPEDANCE	SENSITIVITY*1	INPUT LEVELS		CONNECTOR TYPE
	PAD	GAIN				RATED LEVEL	MAXIMUM NON-CLIPPING LEVEL	
CH INPUT	OFF (0dB)	-60dB	LO-Z 4k Ω HI-Z 10k Ω	50 to 600 Ω microphone or 600 Ω line	-80dB (0.08mV)	-60dB (0.8mV)	-40dB (7.75mV)	LO-Z: XLR-3-31 type (balanced) and HI-Z: TRS*2 phone jack (balanced)
		-40dB (7.75mV)			-20dB (77.5mV)	+4dB (1.23V)		
	ON (20dB)	-20dB			-20dB (77.5mV)	0dB (775mV)	+24dB (12.3V)	
INPUT CH INSERT IN			10k Ω	600 Ω line	-20dB (77.5mV)	0dB (775mV)	+20dB (7.75V)	TRS*3 phone jack
ST SUB IN, AUX SUB IN			10k Ω	600 Ω line	-2dB (617mV)	+4dB (1.23V)	+20dB (7.75V)	Phone jack (unbalanced)
AUX RTN			10k Ω	600 Ω line	-12dB (195mV)	+4dB (1.23V)	—	Phone jack (unbalanced)
TALKBACK IN			4k Ω	50 to 600 Ω microphone	-66dB (0.39mV)	-50dB (2.45mV)	-24dB (48.9mV)	XLR-3-31 type (unbalanced)

*1) Input level required to produce rated +4dB output level.

*2) HI-Z INPUT Jacks (T=HOT, R=COLD, S=GND)

*3) Insert Phone Jacks (T=OUT, R=IN, S=GND)

● 0 dB is referenced to 0.775 Vrms.

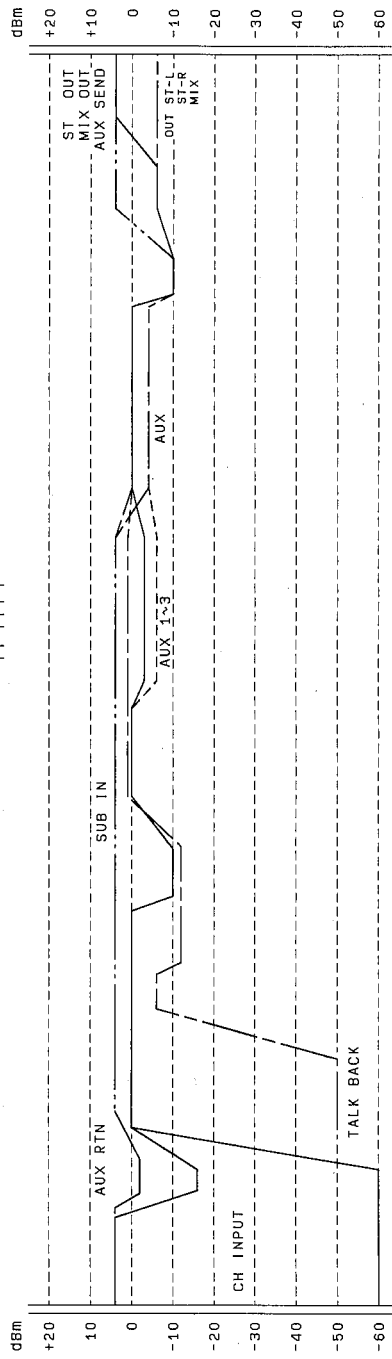
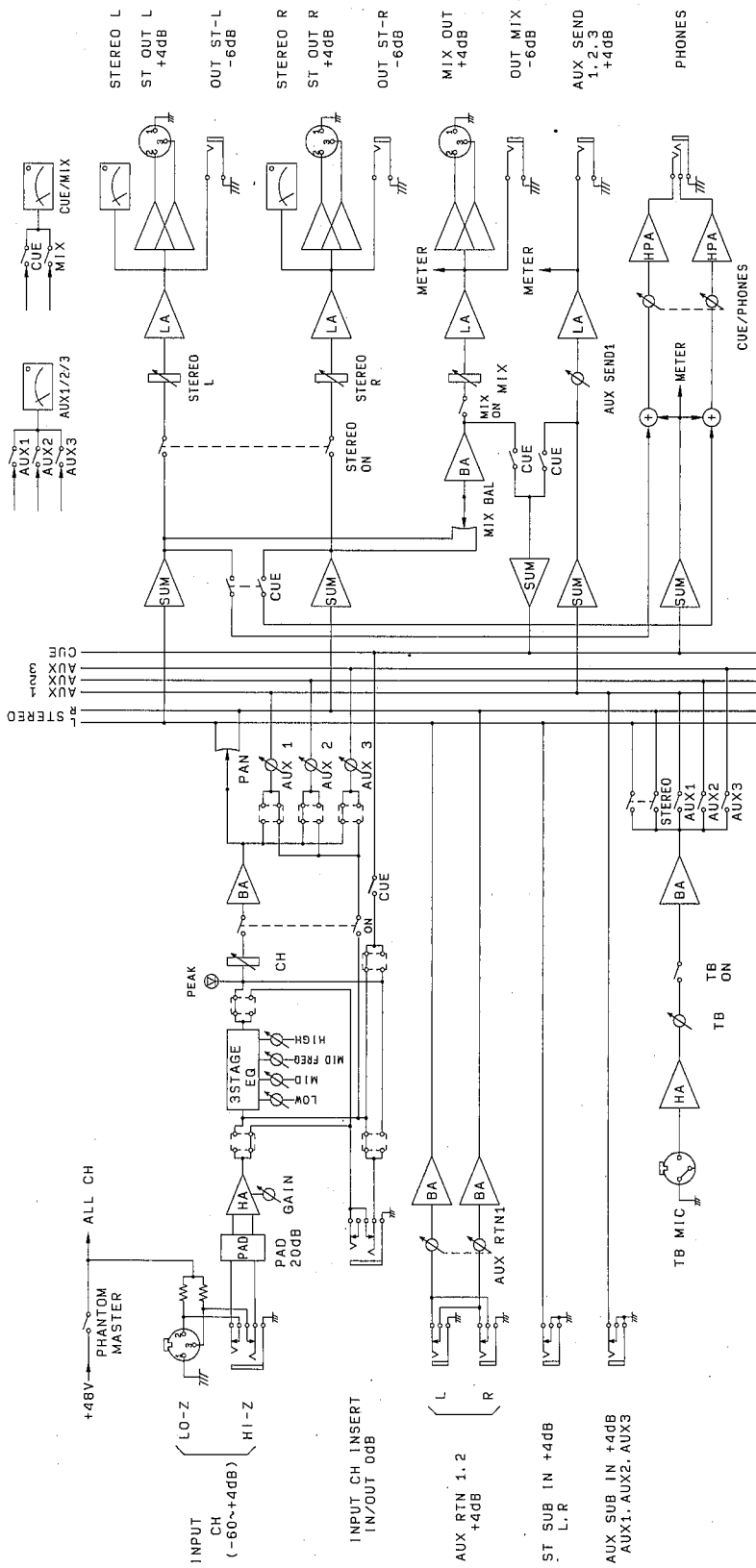
■ Output Characteristics

OUTPUT	OUTPUT IMPEDANCE	LOAD IMPEDANCE	OUTPUT LEVELS		CONNECTOR TYPE
			RATED LEVEL	MAXIMUM NON-CLIPPING LEVEL	
ST OUT	150 Ω	600 Ω line	+4dB (1.23V)	+24dB (12.3V)	XLR-3-32 type (balanced)
	600 Ω	10k Ω line	-6dB (388mV)	+14dB (3.87V)	Phone jack (unbalanced)
MIX OUT	150 Ω	600 Ω line	+4dB (1.23V)	+24dB (12.3V)	XLR-3-32 type (balanced)
	600 Ω	10k Ω line	-6dB (388mV)	+14dB (3.87V)	Phone jack (unbalanced)
AUX SEND 1, 2, 3	100 Ω	10k Ω line	+4dB (1.23V)	+20dB (7.75V)	Phone jack (unbalanced)
INPUT CH INSERT OUT	600 Ω	10k Ω line	0dB (775mV)	+20dB (7.75V)	TRS*1 phone jack
PHONES	100 Ω	8 Ω phones	1mW	20mW	Stereo phone jack (unbalanced)
		40 Ω phones	3mW	130mW	

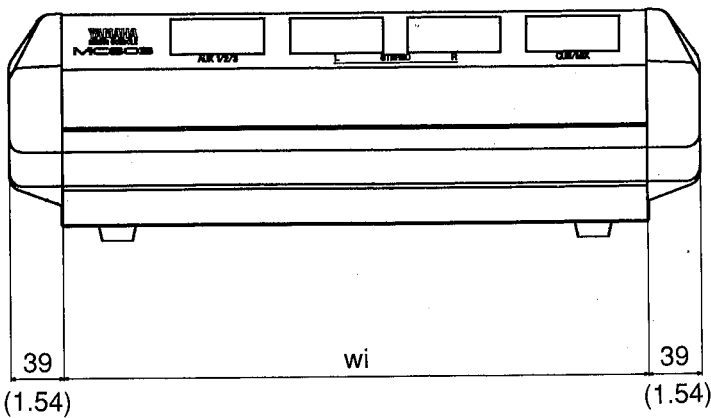
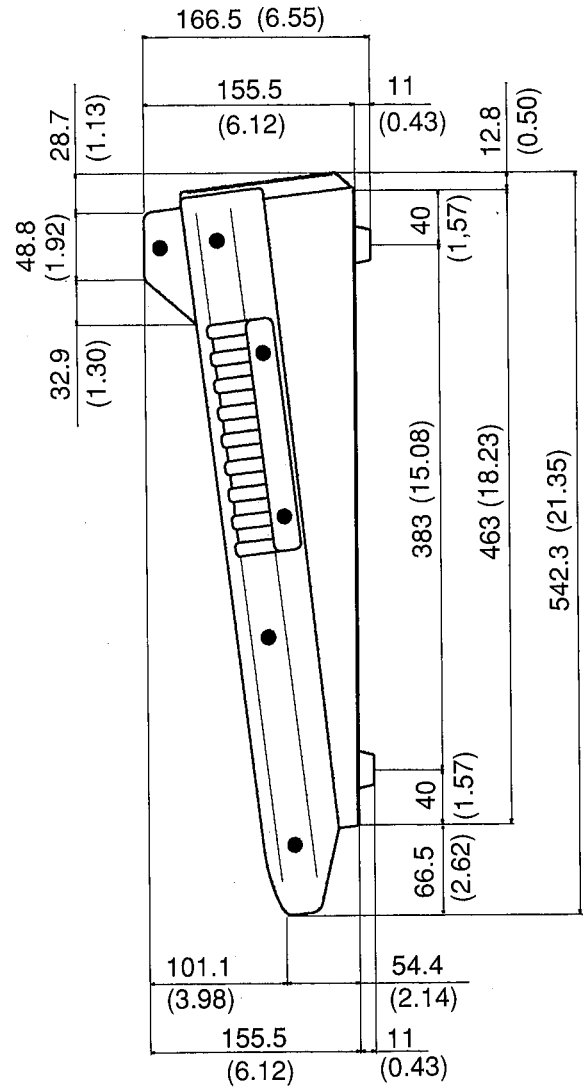
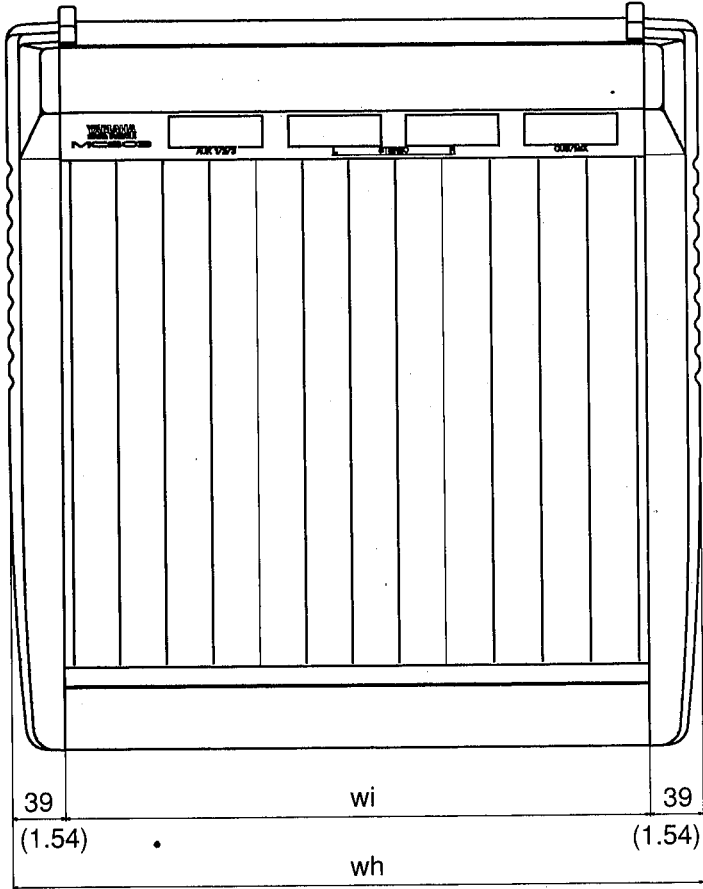
*1) Insert Phone Jacks (T=OUT, R=IN, S=GND)

● 0 dB is referenced to 0.775 Vrms.

Block & Level Diagrams



■ Dimensions



MODEL	wi	wh
MC803	428 (16.85)	506 (19.92)
MC1203	564 (22.20)	642 (25.28)
MC1603	700 (27.56)	778 (30.63)
MC2403	972 (38.27)	1050 (41.34)

Units: mm (inch)

Specifications subject to change without notice

SERVICE

This product is supported by Yamaha's worldwide network of factory-trained and qualified dealer service personnel. In the event of a problem, contact your nearest Yamaha dealer.

YAMAHA

TABLE MIXAGE

MC803
MC1203
MC1603
MC2403

Français

Manuel d'instructions

Félicitations!

Vous êtes l'heureux propriétaire d'une table de mixage Yamaha de la série MC. Que vous ayez choisi le modèle à 8, 12 ou 16 canaux, votre table de mixage Yamaha est un produit de haute qualité qui vous donnera des résultats supérieurs dans une large gamme d'applications. Outre leur système de mixage puissant, les tables de mixage de la série MC présentent également des entrées et des sorties stéréo équilibrées électroniquement pour conserver un signal de qualité optimale dans le cas de longues transmissions par câble, un correcteur de timbre à trois bandes avec bande intermédiaire mouvante sur chaque canal d'entrée, trois systèmes de mixage secondaires AUX indépendants pour alimenter des appareils générateurs d'effets externes ou des systèmes d'amplification supplémentaires, des touches CUE pour contrôler indépendamment tous les canaux d'entrée et bus et un système "Talkback" intégré pour des communications aisées. Avec les tables de mixage amplifiées de la série MC, vous retrouverez le son et la qualité qui ont fait la réputation de Yamaha.

Veillez lire attentivement ce manuel d'utilisation afin de pouvoir tirer le meilleur parti des fonctions et commandes de votre nouvelle table de mixage.

TABLES DES MATIERES

PRECAUTIONS.....	2
COMMANDES DU PANNEAU AVANT	3
Canaux d'entrée.....	3
Section des commandes maîtres.....	5
CONNECTEURS ET COMMANDES DU PANNEAU ARRIERE.....	7
EXEMPLE D'UTILISATION.....	9
FICHE TECHNIQUE.....	10
Spécifications générales	10
Caractéristiques d'entrée	12
Caractéristiques de sortie	12
Schéma de principe	13
Tableau des dimensions.....	14

PRECAUTIONS

1. EVITEZ LES CHALEURS EXCESSIVES, L'HUMIDITE, LA POUSSIERE ET LES VIBRATIONS

Evitez d'installer cet appareil dans des endroits où il pourrait être exposé à une température ou une humidité excessives (à proximité d'un appareil de chauffage, par exemple). Evitez également les endroits poussiéreux ou soumis à des vibrations car cela pourrait entraîner des problèmes mécaniques.

2. EVITEZ LES CHOCS

Les chocs risquent de provoquer des dommages internes. Manipulez cet appareil avec précaution.

3. N'OUVREZ PAS L'APPAREIL ET N'ESSAYEZ PAS DE LE MODIFIER OU DE LE REPARER VOUS-MEME

Cet appareil ne contient aucun élément que l'utilisateur est en mesure de modifier ou de réparer lui-même. Confiez tout travail d'entretien ou de révision au personnel compétent du service après-vente Yamaha. Le fait d'ouvrir l'appareil et/ou de bricoler les circuits internes entraînera l'annulation automatique de la garantie du produit.

4. METTEZ L'APPAREIL HORS TENSION AVANT DE TOUCHER AUX CONNEXIONS

Mettez toujours l'appareil hors tension avant de connecter ou de déconnecter des câbles. Ceci est important afin d'éviter d'endommager non seulement l'appareil lui-même, mais également les autres appareils connectés.

5. MANIPULEZ LES CABLES AVEC PRECAUTION

Lorsque vous branchez ou débranchez des câbles, tenez-les toujours par la fiche. Ne tirez pas sur le cordon.

6. NETTOYEZ AVEC UN CHIFFON DOUX ET SEC

Nettoyez le coffret uniquement avec un chiffon doux et sec. N'utilisez jamais de solvants ou de diluants pour peinture.

7. UTILISEZ TOUJOURS UN COURANT D'ALIMENTATION DE TENSION CORRECTE

Assurez-vous que la tension du secteur corresponde à celle indiquée sur le panneau arrière.

Modèle pour les Etats-Unis et le Canada :

120V secteur, 60 Hz

Modèle pour le Royaume- Uni:

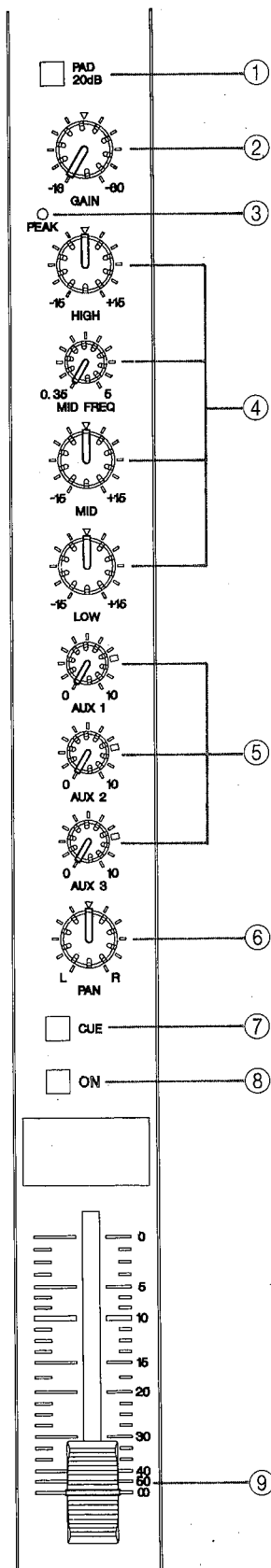
240V secteur, 50Hz

Modèle universel:

230V secteur, 50Hz

COMMANDES DU PANNEAU AVANT

■ Canaux d'entrée



① Touche PAD

Cette touche atténue de 20 dB le signal fourni à l'entrée HI-Z ou LO-Z correspondante du panneau arrière, avant le pré-amplificateur et la commande de gain d'entrée. La touche PAD élargit effectivement la plage des niveaux de signal d'entrée qui peuvent être traités par la table de mixage en empêchant la saturation des circuits d'entrée lors de la réception de signaux à haut niveau.

② Commande de GAIN

Cette commande règle le sensibilité d'entrée de chaque canal d'entrée entre -60dB ($0,775\text{ mV}$) et -20 dB ($77,5\text{ mV}$), lorsque la touche PAD est en position OFF (entre -40dB et 0 dB , lorsque la touche PAD est en position ON). Cet type de commande de gain à réglage variable et continu permet une mise à niveau optimale avec pratiquement n'importe quelle source, ligne ou micro.

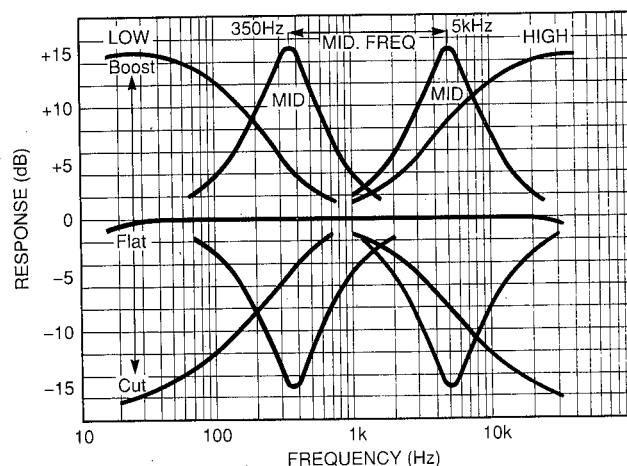
③ Indicateur PEAK (écrêtage)

L'indicateur à DEL s'allume lorsque le signal après correction EQ du canal d'entrée correspondant atteint un niveau situé à 3 dB en dessous du niveau d'écrêtage des circuits du canal. Si l'indicateur PEAK s'allume plus que brièvement dans les passages à haut niveau, il est nécessaire de diminuer la sensibilité d'entrée du canal au moyen de la commande de GAIN ou de la touche PAD correspondante ou, si cela ne suffit pas, de réduire le niveau de sortie de la source connectée à l'entrée de ce canal.

④ Correcteur à trois bandes

La correction de timbre (EQ) de chaque canal d'entrée est assurée par des commandes de coupure (shelving) LOW et HIGH et une commande d'écrêtage (peaking) MID, à laquelle est associée une commande MID FREQ qui permet de déplacer la fréquence centrale de la bande intermédiaire entre 350 et 5 kHz.

Commande	Acc./Att./ max	Fréquence	Type
HIGH	$\pm 15\text{ dB}$	10kHz à $\pm 12\text{dB}$	Coupure
MID	$\pm 15\text{ dB}$	0,35 — 5kHz	Ecrêtage
LOW	$\pm 15\text{ dB}$	100Hz à $\pm 12\text{dB}$	Coupure



⑤ Commandes AUX (1, 2 & 3)

Les tables de mixage de la série MC possèdent trois bus AUX indépendants qui sont alimentés par les commandes AUX correspondantes sur les canaux d'entrée. Chaque commande AUX détermine le niveau du signal envoyé par le canal au bus de mixage AUX du numéro correspondant qui, à son tour, alimente la commande AUX SEND et la prise AUX SEND du panneau arrière ayant le numéro correspondant. Les commandes AUX peuvent être utilisées pour déterminer la quantité de signal du canal correspondant envoyée à des appareils générateurs d'effets externes ou des amplificateurs de puissance alimentés par les prises AUX SEND.

- AUX 1 a été pré-câblé à l'usine en position avant le correcteur EQ et avant l'atténuateur, de sorte que le signal AUX 1 n'est pas affecté par les réglages des commandes de correction ou de l'atténuateur du canal. Des cavaliers internes permettent de recâbler la commande AUX 1 en position après le correcteur EQ et après l'atténuateur.
- AUX 2 et AUX 3 ont été pré-câblés à l'usine en position après le correcteur EQ et après l'atténuateur de sorte que les signaux AUX2 et AUX3 sont affectés par les réglages des commandes de correction et de l'atténuateur du canal. Des cavaliers internes permettent de recâbler les commandes AUX2 et AUX3 avant le correcteur EQ et avant l'atténuateur du canal.
- Des cavaliers internes POST EQ permettent, en outre, de recâbler les commandes AUX en position après correcteur EQ et avant l'atténuateur.
- **CONFIEZ CES OPERATIONS A VOTRE CONCESSIONNAIRE YAMAHA OU A UN CENTRE DE SERVICE QUALIFIE!**

⑥ Commandes PAN

La commande PAN détermine la position du son du canal correspondant dans le panorama stéréo. Lorsqu'elle est tournée à fond dans le sens contraire des aiguilles d'une montre, le signal du canal est envoyé à la sortie stéréo gauche uniquement et le son paraît pro-

venir de l'extrême gauche du panorama stéréo. Lorsque la commande est tournée à fond dans le sens des aiguilles d'une montre, le signal du canal est envoyé à la sortie stéréo droite uniquement et le son paraît provenir de l'extrême droite du panorama stéréo. Lorsque la commande est réglée sur la position centrale, le signal du canal est réparti de manière équilibrée entre les canaux stéréo gauche et droite et le son paraît provenir du milieu du panorama stéréo. Lorsqu'elle est réglée sur une position intermédiaire, le son paraît provenir de la position correspondante.

⑦ Touche canal CUE

Lorsque la touche CUE est actionnée, le signal avant correcteur EQ et avant atténuateur du canal correspondant est envoyé à la sortie PHONES via la commande de niveau CUE/PHONES. Le signal CUE (pilote) du canal sera ajouté à tout autre signal CUE actif. Pour entendre le signal d'un seul canal, assurez-vous que toutes les autres commandes CUE sont en position OFF.

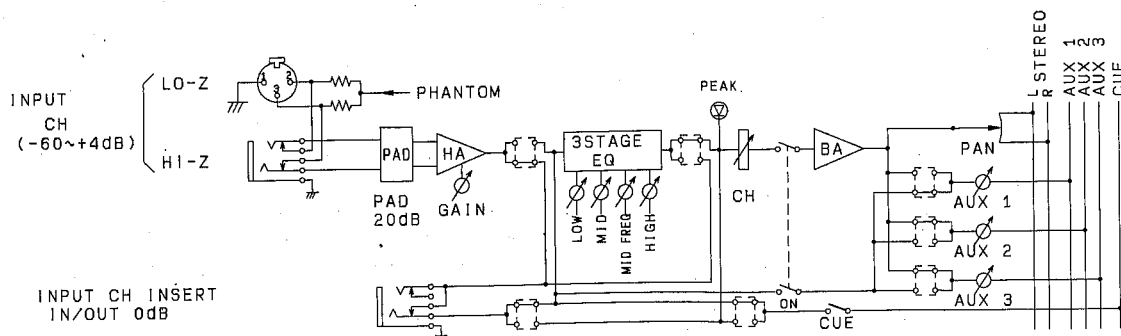
- Le bus CUE est pré-câblé à l'usine pour recevoir le signal avant le correcteur EQ. Des cavaliers internes permettent de recâbler la commande en position après le correcteur EQ.
- **CONFIEZ CES OPERATIONS A VOTRE CONCESSIONNAIRE YAMAHA OU A UN CENTRE DE SERVICE QUALIFIE!**

⑧ Touche canal ON

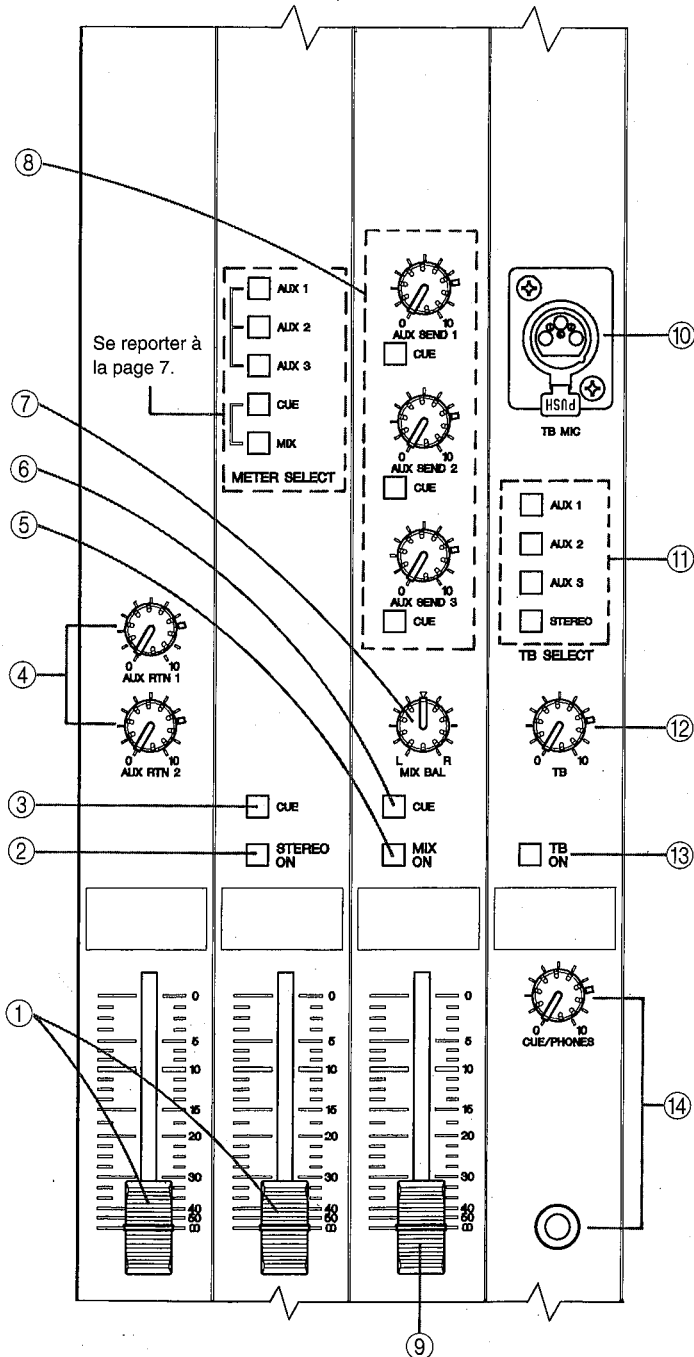
La touche ON de chaque canal commute le signal de canal aux bus stéréo L et R, aux sorties MIX et aux trois bus d'envoi AUX. Quand elle est sur ON, le signal de canal est envoyé à tous ces bus. Quand elle est sur OFF, le signal de canal est assourdi. Cette touche peut ainsi être utilisée comme commande d'assourdissement pour éviter tout bruit de microphone indésirable lors des passages silencieux, par exemple.

⑨ Atténuateur de canal

Cet atténuateur constitue la principale commande de niveau pour chacun des canaux d'entrée. Il détermine le niveau du signal envoyé, à partir du canal d'entrée correspondant, au bus stéréo maître. La position des atténuateurs des canaux d'entrée détermine le "mixage" ou équilibre de niveau entre les sons des divers instruments et autres sources connectées aux entrées.



■ Section des commandes maîtres



① Atténuateurs maîtres stéréo

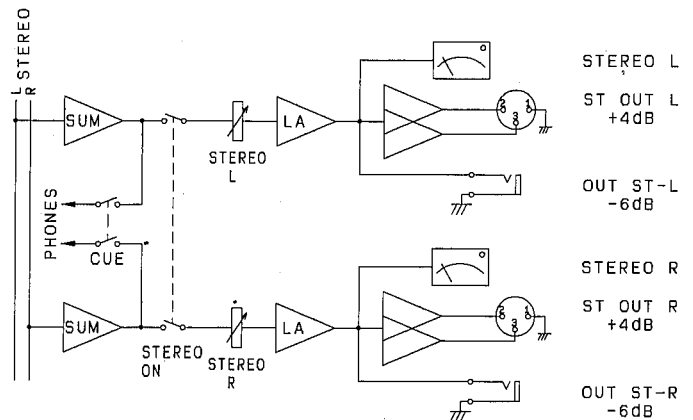
Les atténuateurs maîtres stéréo règlent indépendamment les signaux des voies gauche et droite du bus du programme stéréo principal qui parviennent aux connecteurs ST OUT.

② Touche STEREO ON

Quand elle est sur ON, elle active/désactive les signaux de bus stéréo principal. Cette touche se situe avant les atténuateurs et les vumètres dans la chaîne du signal. Autrement dit, si elle est sur OFF, aucun niveau de signal ne sera indiqué aux vumètres STEREO principaux. Le signal envoyé à MIX n'est pas affecté par cette commande.

③ Touche stéréo CUE

Lorsque cette touche est en position ON, le signal du bus du programme stéréo principal est envoyé en stéréo à la prise PHONES via la commande CUE/PHONES. La touche STEREO CUE peut être placée sur la position ON pour l'écoute au casque du programme stéréo principal, mais doit être mise sur la position OFF pour l'écoute individuelle des signaux pilotes des canaux d'entrée ou des bus AUX.



④ Commandes AUX RTN 1 & AUX RTN 2

Ces commandes règlent le niveau du signal reçu sur les prises AUX RTN correspondantes du panneau arrière et mixé dans le programme stéréo principal. Etant donné que des retours AUX stéréo sont disponibles (AUX RTN 1 L & R, AUX RTN 2 L & R), les commandes AUX RTN contrôlent simultanément le niveau des signaux fournis aux entrées RETURN L et R correspondantes. Les signaux de retour des canaux L et R sont envoyés aux lignes L et R du bus stéréo. Si le signal de retour n'arrive que sur un seul canal (c'est-à-dire si une fiche seulement est insérée, soit dans la prise de retour L, soit dans la prise de retour R), ce signal sera fourni aux deux canaux L et R du bus stéréo. La prise AUX RTN3 ne dispose pas de commande exclusive. Si vous désirez renvoyer un signal en provenance d'un appareil branché à AUX RTN3, il faut alors le diriger vers un (ou deux en cas de stéréo) des canaux d'entrée.

⑤ **Touche Mix ON**

Valide ou invalide l'acheminement des signaux L et R aux bus MIX. Les bus MIX peuvent servir à effectuer l'enregistrement d'un spectacle en direct, ou à commander un second jeu d'amplificateurs de puissance et de haut-parleurs pour la correction de phase, etc.

⑥ **Touche MIX CUE**

Cette commande permet de diriger le signal MIX au bus CUE (le contrôle du signal MIX peut être effectué par le casque).

⑦ **Commande MIX BAL**

Cette commande règle l'équilibre relatif gauche/droite des signaux envoyés aux bus MIX.

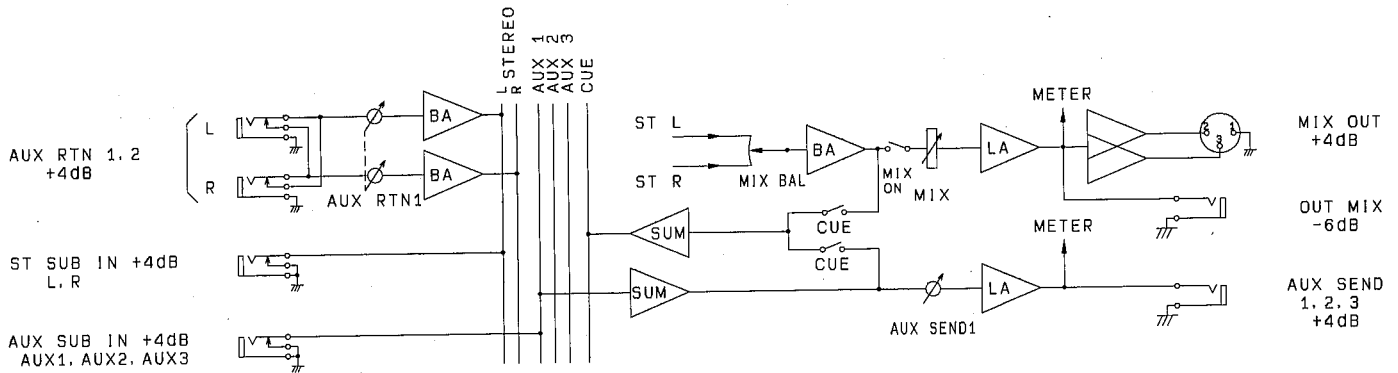
⑧ **Commandes AUX SEND (1, 2 & 3) & touches CUE**

Ces commandes ajustent le niveau de sortie global des "mixages" secondaires effectués au moyen des commandes AUX 1, AUX 2 et AUX 3 des canaux d'entrée.

Le niveau des signaux sortis à AUX1, 2 et 3 est contrôlé par les commandes AUX SEND de numéro correspondant. Ces commandes servent à adapter de manière optimale le niveau de sortie AUX SEND de la table de mixage à la sensibilité d'entrée de l'appareil générateur d'effets, de traitement de signal ou d'amplification connecté. La touche CUE associée à chacune des commandes AUX SEND sert à envoyer le signal AUX SEND correspondant à la prise PHONES via la commande de niveau CUE/PHONES: Le signal pilote AUX s'ajoutera à tout autre signal pilote actif. Si vous ne voulez entendre que le signal d'un seul bus AUX, assurez-vous que toutes les autres touches CUE sont sur la position OFF.

⑨ **Atténuateur Mix**

Cet atténuateur règle le niveau du signal envoyé aux sorties MIX.



⑩ **Connecteur de micro pour "talkback" TB MIC**

Ce connecteur de type XLR femelle accepte n'importe quel type de micro dans la plage 50 - 600 Ω qui peut être placé dans une position optimale sans gêner la manipulation des commandes. Nous vous conseillons d'installer un microphone orientable, c'est ce qui a de plus pratique.

⑪ **Touches d'assignation de "talkback"**

Ces touches permettent d'envoyer le signal de "talkback" aux bus STEREO, AUX 1, AUX 2 ou AUX 3. Plusieurs de ces touches peuvent être sur la position ON simultanément, de sorte que le signal "talkback" peut être envoyé simultanément à différents bus de la table de mixage.

⑫ **Commande de niveau TB (talkback)**

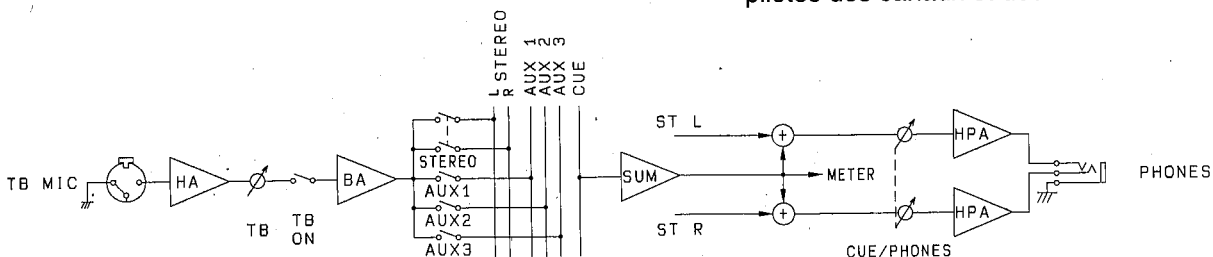
Règle le niveau du signal "talkback" envoyé au(x) bus sélectionné(s).

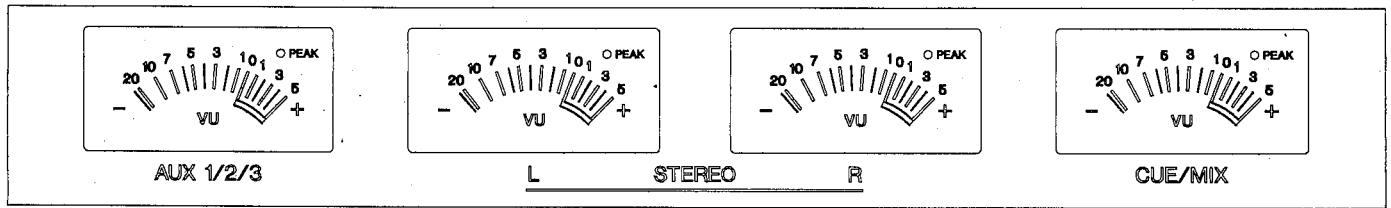
⑬ **Touche (talkback) ON**

Appuyez sur cette touche pour activer le micro branché au connecteur TB MIC prévu à cet effet et pour transmettre la voix du mixeur aux bus STEREO, AUX 1, AUX 2 ou AUX 3, en fonction du réglage des touches d'assignation de "talkback".

⑭ **Commande CUE/PHONES et prise PHONES**

La commande CUE/PHONES règle le niveau du signal pilote envoyé à la prise PHONES et permet donc de régler le niveau d'écoute du casque. La prise PHONES accepte n'importe quel casque d'écoute stéréo.
• Ce signal pilote est STEREO tandis que les signaux pilotes des canaux et des bus AUX est MONO.



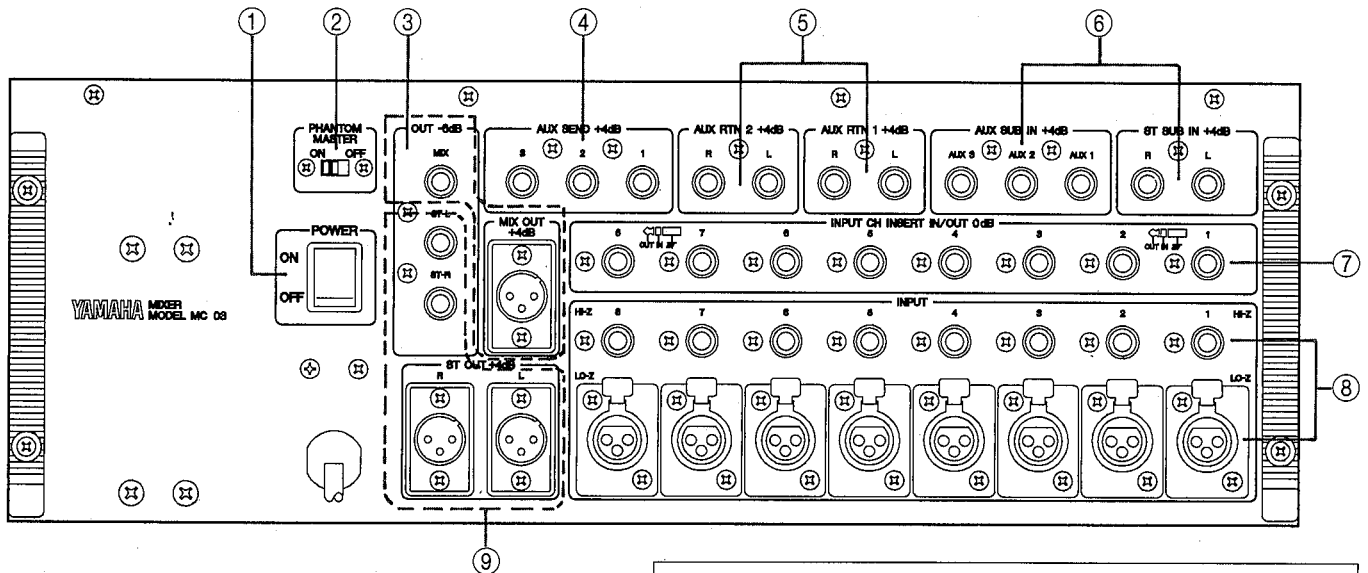


Vumètres et touches d'assignation METER (AUX 1/AUX 2/AUX 3/CUE/MIX)

Les tables de mixage de la série MC sont pourvues de quatre vumètres avec indicateur de crête à DEL incorporé pour contrôler le niveau des signaux. Le DEL de crête s'allume à +14 dB. La paire d'indicateurs située au centre (L STEREO R) contrôle en permanence le signal

du bus du programme stéréo principal tandis que l'indicateur AUX1, 2 et 3 peut être affecté au contrôle du signal des bus AUX 1, AUX 2, AUX 3 en appuyant sur la touche d'assignation METER correspondante. L'indicateur de droite contrôle le niveau CUE ou MIX, en fonction de la touche CUE ou MIX de METER SELECT sélectionnée.

CONNECTEURS ET COMMANDES DU PANNEAU ARRIERE



CONNEXIONS DES MICROPHONES ET DE LEURS CÂBLES
 POUR ÉVITER TOUT ENDOMMAGEMENT, S'ASSURER DE BRANCHER UNIQUEMENT DES MICROPHONES ET DES CÂBLES DE MICROPHONES CONÇUS SELON LA NORME IEC268-15A.

① Interrupteur général (POWER)

Relevez pour mettre sous tension et abaissez pour mettre hors tension. Les lampes des vumètres s'allument lorsque l'appareil est mis sous tension.

② Commutateur PHANTOM MASTER

Mettez ce commutateur sur la position ON pour appliquer un courant continu de +48V aux connecteurs d'entrée XLR LO-Z, lorsque vous utilisez des micros à condensateur à alimentation en fantôme.

- Ne mettez JAMAIS le commutateur PHANTOM MASTER sur la position ON lorsque des sources de niveau ligne sont connectées aux entrées LO-Z.

③ Connecteurs MIX OUT

Les connecteurs MIX OUT (XLR équilibré et prise "jack" déséquilibrée) fournissent les signaux du bus MIX mono. Le niveau des signaux est le même qu'aux connecteurs stéréo OUT.

④ Prises AUX SEND (1, 2 & 3)

Ces prises fournissent les mixages AUX 1, AUX 2 et AUX 3, respectivement, à un appareil générateur d'effets ou à un amplificateur de puissance externe. Le niveau de sortie nominal/impédance est de +4 dB/10kΩ.

⑤ **Prises AUX RTN 1 & AUX RTN 2**

Les sorties mono ou stéréo d'appareils générateurs d'effets alimentés par les prises AUX SEND peuvent être ramenées dans le mixage du programme stéréo principal via ces prises de retour. Remarquez que chaque prise AUX RTN offre des entrées retour indépendantes pour les bus gauche et droit pour accommoder le signal de retour d'appareils qui possèdent des sorties stéréo. Le niveau d'entrée nominal/impédance est de +4 dB/600Ω.

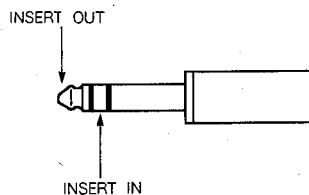
⑥ **Prises AUX SUB IN & ST SUB IN**

Ces cinq prises permettent la connexion "en cascade" de deux tables de mixage pour augmenter le nombre de canaux d'entrée disponibles. Les prises AUX SEND de la première table de mixage (asservie) doivent être connectées aux prises AUX SUB IN de la seconde table de mixage (maître) et les sorties stéréo OUT de la table de mixage asservie doivent être connectées aux prises ST SUB IN correspondantes de la table de mixage maître.

⑦ **Prises INPUT CH INSERT IN/OUT**

Ces prises permettent d'insérer des compresseurs, limiteurs et autres appareils générateurs d'effets entre les étages de pré-amplification et de correction EQ de chaque canal d'entrée. Ces prises de type pointe-anneau-manchon sont câblées comme suit : pointe = SEND (la sortie du pré-amplificateur), anneau = RETURN (l'entrée du correcteur EQ), manchon = masse. Les appareils externes peuvent être branchés en utilisant des câbles en "Y" qui connectent les lignes SEND et RETURN d'une seule prise "jack" de type pointe-anneau-manchon à deux prises "jack" mono séparées.

- Les signaux INSERT OUT sont pré-câblés à l'usine avant le correcteur EQ. Ce réglage est modifiable à après le correcteur EQ par cavaliers internes.
- **CONFIEZ CES OPERATIONS A VOTRE CONCESSIONNAIRE YAMAHA OU A UN CENTRE DE SERVICE QUALIFIE!**



Les entrées HI-Z acceptent aussi bien les signaux symétriques que les signaux asymétriques de microphones, d'instruments de musique ou d'autres appareils sources à haute impédance.

⑨ **Connecteurs ST OUT L & R (stéréo)**

Les tables de mixage de la série MC possèdent des sorties à connecteur XLR symétrique pour le bus stéréo principal. Le signal fourni est un mixage stéréo des signaux des canaux d'entrée et des signaux de retour ramenés par les prises AUX RTN. Le signal stéréo OUT attaque normalement un système amplificateur de puissance/haut-parleurs, des haut-parleurs de clavier ou une table de mixage principale. Le niveau de sortie nominal/impédance de charge est de +4 dB/600Ω. Le niveau de sortie nominal aux connecteurs de casque est de -6 dB.

REMARQUE : Les connecteurs XLR des tables de mixage de la série MC sont câblés selon la norme DIN : broche 1 = blindage (masse), broche 2 = chaud (signal haut) et broche 3 = froid (signal bas).

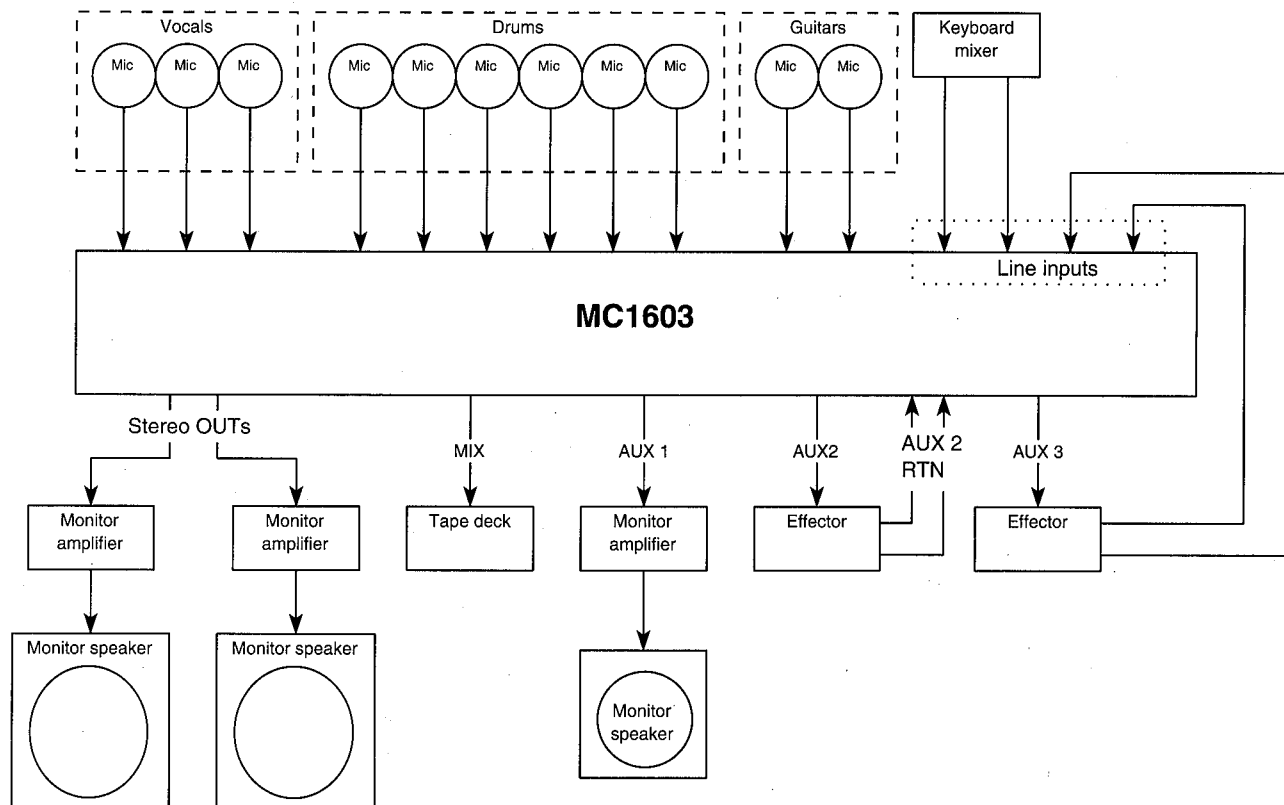
⑧ **Connecteurs INPUT HI-Z et LO-Z**

Chaque canal d'entrée offre le choix entre deux connecteurs d'entrée : un connecteur symétrique de type XLR à basse impédance (LO-Z) et une prise "jack" pointe-anneau-manchon d'1/4 de pouce à haute impédance (HI-Z). Les entrées LO-Z sont destinées à recevoir essentiellement des instruments électroniques ayant des sorties symétriques à basse impédance.

EXEMPLE D'UTILISATION

Dans le système illustré ci-dessous, le MC1602 est utilisé comme table de mixage principale dans un système de renforcement de son. Trois micros pour les voix, six micros pour les percussions, un micro pour l'amplificateur de guitare et un autre pour l'amplificateur de basse sont connectés à 11 des 16 entrées LO-Z disponibles. Les sorties stéréo de niveau ligne d'un mixeur de percussions électronique sont envoyées à deux entrées HI-Z. En tout, 13 canaux d'entrée sont donc utilisés et trois restent libres - deux pour les retours AUX 3, et un de réserve. Les bus AUX 2 et AUX 3 (après atténuateur) alimentent les appareils de réverbération/d'effets numériques si nécessaire (les retours AUX 3 sont renvoyés en boucle à deux canaux d'entrée). Le bus AUX 1 (avant atténuateur) commande les amplificateurs de puissance sur scène et les haut-parleurs de contrôle des exécutants. Le bus MIX alimente un enregistreur à bande pour effectuer un enregistrement mono approximatif du spectacle. Les connecteurs stéréo OUT commandent les amplificateurs de puissance principaux et le système de haut-parleurs principal.

Cet exemple ne constitue qu'une des applications possibles du MC1602 dans un système de renforcement de son. Le système que vous monterez dépendra bien sûr de vos exigences et du matériel dont vous disposez.



FICHE TECHNIQUE

■ Spécifications générales

Réponse en fréquences	20Hz — 20kHz	+1/-3dB	sur 600 Ω , +4dB
Distorsion harmonique totale	< 0,1%	20Hz — 20kHz	sur 600 Ω , +4dB
Ronflement et bruit *1			
ST OUT, MIX OUT, AUX SEND	-128dB	Bruit à entrée équivalente	
ST OUT, MIX OUT	-96dB	Bruit résiduel de sortie	
ST OUT	-88dB	Atténuateur maître à puissance nominale Toutes les touches de canal ON désactivées	
	-64dB	Atténuateur maître à puissance nominale Un seul atténuateur de canal à puissance nominale	
AUX SEND	-78dB	Commande AUX SEND à puissance nominale Toutes les touches de canal ON désactivées	
	-64dB	Commande AUX SEND à puissance nominale Une seule commande AUX à puissance nominale	
Gain en tension maximum	84dB	CH INPUT → ST OUT, MIX OUT	
	76dB	CH INPUT → AUX SEND 1	
	86dB	CH INPUT → AUX SEND 2, 3	
	16dB	AUX RTN → ST OUT	
	10dB	SUB IN → ST OUT	
	6dB	SUB IN → AUX SEND	
	66dB	TALKBACK → ST OUT	
Diaphonie à 1kHz	-70dB	Entre canaux d'entrée adjacents	
	-70dB	Entrée à sortie, PAN	
Correction des canaux d'entrée	Accentuation ou atténuation max. de 15dB dans chacune des trois bandes		
	HIGH	10kHz ^{*2} coupure	
	MID	350Hz à 5kHz écrêtage	
	LOW	100Hz ^{*2} coupure	
Vumètres (0 VU =+4 dB ou niveau de sortie de 1,23 V eff.)	4 indicateurs allumés (n°1 - AUX 1, 2, 3 : commutables, n°2 et 3 - STEREO L et R, n°4 - MIX/CUE : commutable). DEL de crête sur chaque vumètre, s'allume quand le signal atteint +14 dB.		
Indicateurs PEAK	DEL rouge sur chaque canal, s'allume quand le signal après le correcteur EQ se situe à 3 dB sous le niveau d'écrêtage.		
Courant fantôme	Courant continu de +48 V fourni via des résistances de limitation de courant/d'isolation de 6,8 kΩ aux entrées équilibrées pour alimenter des microphones électrostatiques.		

Alimentation		Modèle pour les Etats-Unis et le Canada 120 V secteur, 60 Hz Modèle pour le Royaume-Uni 240 V secteur, 50 Hz Modèle universel 230 V secteur, 50 Hz	
Consommation		MC803	40W
		MC1203	45W
		MC1603	50W
		MC2403	60W
Dimensions	Hauteur		167 mm
	Profondeur		543mm
	Largeur	MC803	506mm
		MC1203	642mm
		MC1603	778mm
		MC2403	1050mm
Poids	MC803	12,5kg	
	MC1203	15,5kg	
	MC1603	18,5kg	
	MC 2403	24,5kg	

● 0 dB = 0,775 Vrms.

● Puissance nominale: Tous atténuateurs: -10 dB
Toutes commandes de niveau: -6 dB

*1 A 20Hz — 20kHz , $R_s = 150\Omega$, mesuré avec un filtre passe-bas de -6dB/octave à 12,7kHz

*2 Fréquence de recouvrement/d'atténuation : 3 dB en dessous du niveau variable maximal

■ Caractéristiques d'entrée

	ENTREE		IMPEDANCE D'ENTREE	IMPEDANCE DE SOURCE	SENSIBILITE*1	NIVEAU D'ENTREE		TYPE DE CONNECTEUR
	PAD	GAIN				NIVEAU NOMINAL	NIVEAU MAXIMUM SANS ECRETAGE	
ENTREE CANAL	OFF (0dB)	-60dB	LO-Z 4kΩ HI-Z 10kΩ	Micros 50 — 600 Ω ou lignes 600 Ω	-80dB (0,08mV)	-60dB (0,8mV)	-40dB (7,75mV)	LO-Z : Type XLR-3-31 (symétrique) et HI-Z : prise "jack" (TRS) ^{*2} (symétrique)
	ON (20dB)	-20dB			-40dB (7,75mV)	-20dB (77,5mV)	+4dB (1,23V)	
					-20dB (77,5mV)	0dB (775mV)	+24dB (12,3V)	
INPUT CH INSERT IN			10kΩ	Lignes 600Ω	-20dB (77,5mV)	0dB (775mV)	+20dB (7,75V)	Prise "jack" (TRS) ^{*3}
ST SUB IN, AUX SUB IN			10kΩ	Lignes 600Ω	-2dB (617mV)	+4dB (1,23V)	+20dB (7,75V)	Prise "jack" (asymétrique)
AUX RTN			10kΩ	Lignes 600Ω	-12dB (195mV)	+4dB (1,23V)	—	Prise "jack" (asymétrique)
TALKBACK IN			4kΩ	Micros 50 — 600Ω	-66dB (0,39mV)	-50dB (2,45mV)	-24dB (48,9mV)	Type XLR-3-31 (asymétrique)

*1) Niveau d'entrée requis pour obtenir le niveau de sortie nominal de +4dB.

*2) Prises d'entrée de haute impédance (HI-Z INPUT jacks) (T=CHAUD, R=FROID, S=MASSE)

*3) Prise casque (Insert Phone Jacks) (T=SORTIE, R=ENTREE, S=MASSE)

● 0 dB = 0,775 V eff.

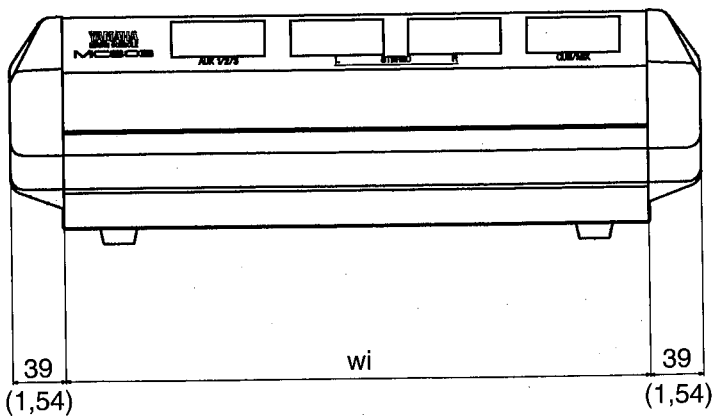
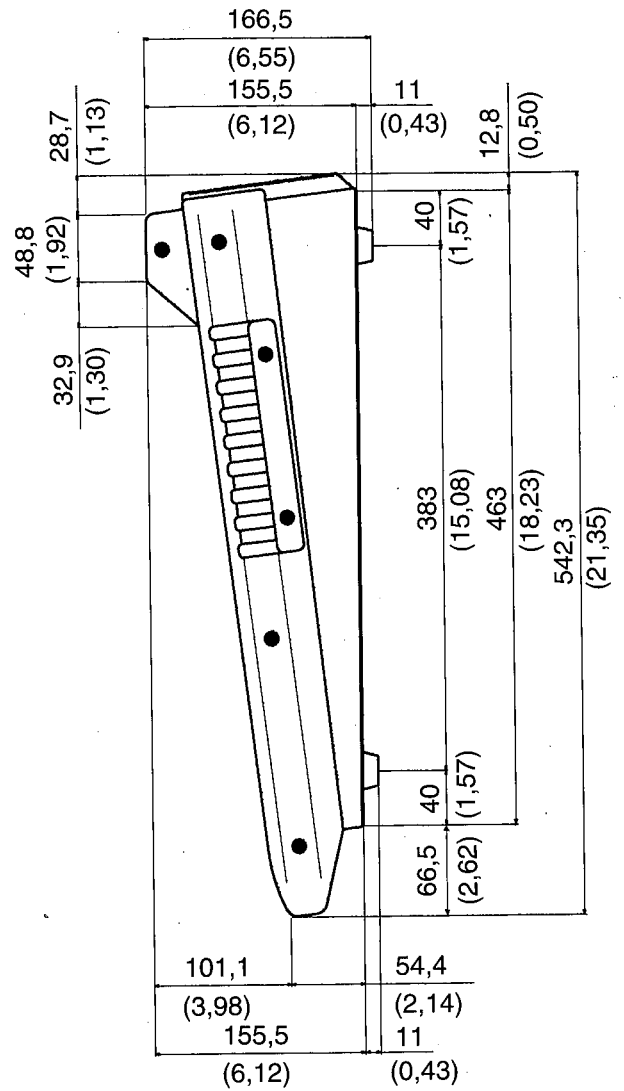
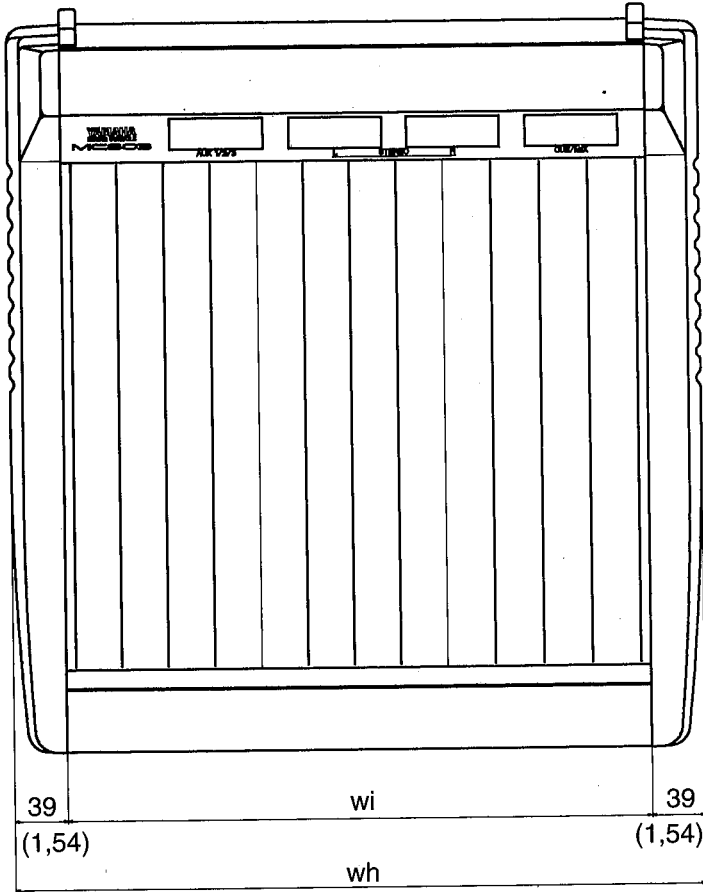
■ Caractéristiques de sortie

SORTIE	IMPEDANCE DE CHARGE	IMPEDANCE DE CHARGE	NIVEAUX DE SORTIE		TYPE DE CONNECTEUR
			NIVEAU NOMINAL	NIVEAU MAXIMUM SANS ECRETAGE	
ST OUT	150Ω	Lignes 600Ω	+4dB (1,23V)	+24dB (12,3V)	Type XLR-3-32 (symétrique)
	600Ω	Lignes 10kΩ	-6dB (388mV)	+14dB (3,87V)	Prise "jack" (asymétrique)
MIX OUT	150Ω	Lignes 600Ω	+4dB (1,23V)	+24dB (12,3V)	Type XLR-3-32 (symétrique)
	600Ω	Lignes 10kΩ	-6dB (388mV)	+14dB (3,87V)	Prise "jack" (asymétrique)
AUX SEND 1, 2, 3	100Ω	Lignes 10kΩ	+4dB (1,23V)	+20dB (7,75V)	Prise "jack" (asymétrique)
INPUT CH INSERT OUT	600Ω	Lignes 10kΩ	0dB (775mV)	+20dB (7,75V)	Prise "jack" (TRS) ^{*1}
PHONES	100Ω	Casque 8Ω	1mW	20mW	Prise "jack" stéréo (asymétrique)
		Casque 40Ω	3mW	130mW	

*1) Prise casque (Insert Phone Jacks) (T=SORTIE, R=ENTREE, S=MASSE)

● 0 dB = 0,775 V eff.

■ Dimensions



MODEL	wi	wh
MC803	428 (16,85)	506 (19,92)
MC1203	564 (22,20)	642 (25,28)
MC1603	700 (27,56)	778 (30,63)
MC2403	972 (38,27)	1050 (41,34)

Unités: mm (pouce)

Spécifications susceptibles d'être modifiées sans préavis.

SERVICE APRES-VENTE

Cet appareil est couvert par le réseau mondial de service après-vente Yamaha. En cas de problème, contactez le concessionnaire Yamaha le plus proche.

YAMAHA

MISCHPULTE

MC803

MC1203

MC1603

MC2403

Deutsch

Bedienungsanleitung

Bescheinigung des Importeurs

Hiermit wird bescheinigt, daß der/die/das

Mixing Console Typ: MC803/1203/1603/2403
(Gerät, Typ, Bezeichnung)

in Übereinstimmung mit den Bestimmungen der
82/499/EWG
(EC-Richtlinie)

funktentstört ist.

Der Deutschen Bundespost wurde das Inverkehrbringen dieses
Gerätes angezeigt und die Berechtigung zur Überprüfung der
Serie auf Einhaltung der Bestimmungen eingeräumt.

Yamaha Europa GmbH
Name des Importeurs

Vielen herzlichen Dank!

Ihr Mischpult der MC-Serie ist ein sehr vielseitiges Pult, das mit seinen 8, 12 oder 16 Kanälen neben Qualität auch genügend Kanäle bietet. Die Eingänge und Stereoausgänge sind elektronisch symmetriert, damit das Signal auch bei längeren Kabeln noch optimal ist. Die Klangregelung ist dreibändig mit einem regelbaren Mittenbereich. Daneben bietet das Mischpult drei AUX-Wege, die man entweder zum Einschleifen von Zusatzgeräten oder zum Anschluß weiterer Verstärker verwenden kann. Mit den CUE-Tasten kann man jeden Kanal einzeln abhören und das eingebaute Kommandosystem erleichtert die Kommunikation mit den Musikern, Schauspielern usw.

Sie haben sich wahrscheinlich bewußt für ein Pult von Yamaha entschieden, da Qualität letztendlich eben doch den Durchschlag gibt. Wir wünschen Ihnen viel Erfolg mit diesem Pult.

INHALT

VORSICHTSMASSNAHMEN	2
BEDIENELEMENTE AUF DER VORDERSEITE.....	3
Eingangsstufe.....	3
Die Mastersektion	5
ANSCHLÜSSE UND BEDIENELEMENTE AUF DER RÜCKSEITE.....	7
ANWENDUNGSBEISPIEL	9
TECHNISCHE DATEN.....	10
Allgemeine Daten	10
Daten der Eingangsstufe.....	12
Ausgangsstufe.....	12
Blockschaltbilder	13
Abmessungen	14

VORSICHTSMASSNAHMEN

1. AUFBEWAHRUNG

Meiden Sie sonnige Orte. Auch Staub, Feuchtigkeit, große Temperaturschwankungen und starke Vibration können das Mischpult beschädigen.

2. BEHANDLUNG

Sie wissen bestimmt selbst, daß man das Pult am besten nicht fallenläßt. Behandeln Sie es daher mit der gebührenden Umsicht.

3. DIESES GERÄT DARF VON UNBEFUGTEN PERSONEN WEDER UMGEBAUT NOCH REPARIERT WERDEN

Lassen Sie es nur vom qualifizierten Yamaha-Kundendienst reparieren, da nur so der Garantieanspruch gewahrt wird.

4. VOR DEM ANSCHLIESSEN AUSSCHALTEN

Schalten Sie das Gerät aus, bevor Sie Kabel anschließen oder abtrennen. Nur so wird sichergestellt, daß das Pult und auch die angeschlossenen Geräte nicht beschädigt werden.

5. KABEL

Ziehen Sie nach Möglichkeit immer nur an den Steckern, nie an den Kabeln, um das Reißen der Drähte und Kurzschlüsse zu vermeiden. Wenn das Pult längere Zeit nicht gebraucht werden soll, zieht man am besten den Netzstecker.

6. ZUM REINIGEN NUR EIN STAUBTUCH GEBRAUCHEN

Benzol oder andere chemische Lösungsmittel greifen das Finish an und Wasser beschädigt die Schaltkreise.

7. IMMER DIE RICHTIGE NETZSPANNUNG VERWENDEN

Überzeugen Sie sich vor dem Einsatz, daß die Netzspannung in Ihrem Land den Anforderungen des Mischpults gerecht wird.

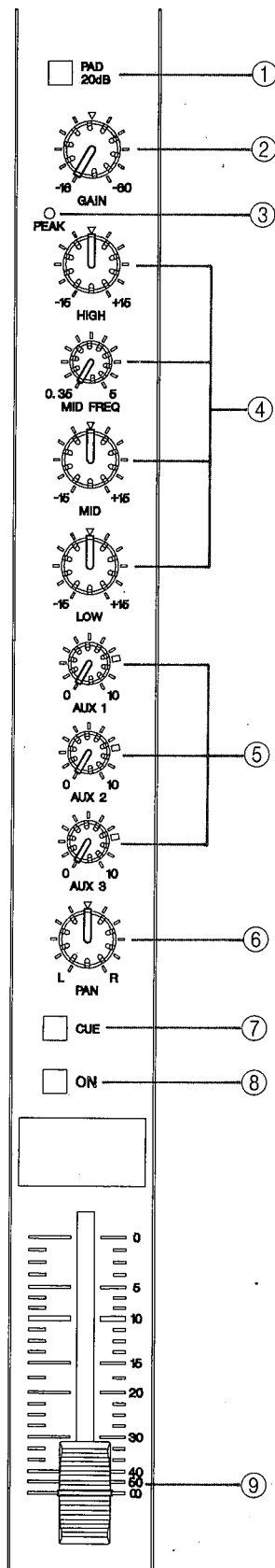
Modell für die USA & Kanada: 120V AC, 60Hz

Modell für Großbritannien: 240V AC, 50Hz

Allgemeines Modell: 230V, 50Hz

BEDIENELEMENTE AUF DER VORDERSEITE

■ Eingangsstufe



① PAD-Taste

Diese Taste dient zur Dämpfung des Signals, das an der entsprechenden HI-Z (hochohmigen) oder LO-Z (niederohmigen) Buchse anliegt. Die Bedämpfung beträgt 20dB und erfolgt vor dem Vorverstärker und dem Trimmregler (GAIN). Das Mischpult kann daher eine Vielzahl von Signalen verarbeiten, da Übersteuerung durch die PAD-Funktion weitgehend vermieden wird.

② GAIN-Regler

Mit diesem Regler bestimmt man die Eingangsempfindlichkeit des Kanals. Der Regelbereich liegt zwischen -16dB ($0,775\text{mV}$) und -20dB ($77,5\text{mV}$) bei nicht gedrückter und zwischen -40dB und 0dB bei gedrückter PAD-Taste. Der GAIN-Regler ist stufenlos einstellbar.

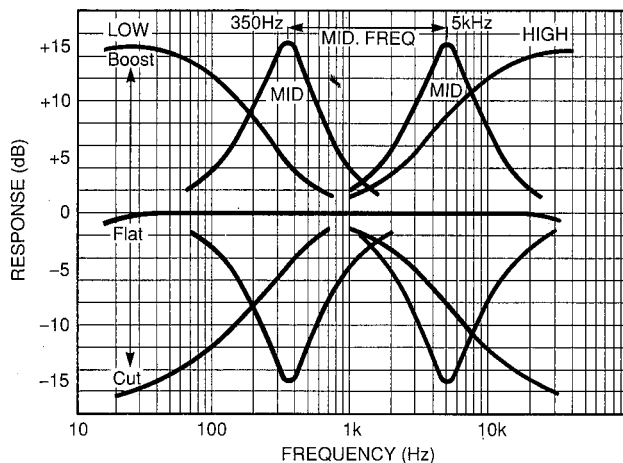
③ PEAK-Anzeige

Sobald das entzerrte Signal (post-EQ) 3dB unterhalb des Verzerrungspunktes liegt, leuchtet diese Diode. Flackert sie nur gelegentlich bei Signalspitzen, ist der Pegel optimal. Wenn sie jedoch fortwährend leuchtet, so muß man entweder die PAD-Taste drücken oder den GAIN-Pegel reduzieren. In Extremfällen muß man den Ausgangspegel der Signalquelle reduzieren.

④ Dreibändige Klangregelung

Die Klangregelung weist eine Kuhschwanzcharakteristik für den HIGH - und LOW-Regler und eine Glockencharakteristik für die MID FREQ-Regler auf. Der Mittenbereich ist parametrisch ausgeführt und daher wählbar zwischen 350Hz und 5kHz.

Regler	Max. Anh./ Abs.	Frequenz	Charakteristik
HIGH	$\pm 15\text{ dB}$	10kHz bei $\pm 12\text{dB}$	Kuhschwanz
MID	$\pm 15\text{ dB}$	0,35 zu 5kHz	Glocke
LOW	$\pm 15\text{ dB}$	100Hz bei $\pm 12\text{dB}$	Kuhschwanz



⑤ AUX-Regler (AUX 1, AUX 2, AUX 3)

Die Mischpulte der MC-Serie bieten drei AUX-Summen, die man über den entsprechend numerierten Regler erreicht. Mit den AUX-Reglern der einzelnen Kanalzüge legt man jeweils den Signalanteil fest, der einer AUX-Summe zugeordnet werden soll und mit dem AUX SEND-Regler den Pegel der AUX-Summe, deren Signal an der entsprechenden AUX SEND-Buchse auf der Geräterückseite anliegt.

- Bei Verlassen des Werks liegt die AUX 1-Summe vor der Klangregelung und dem Fader, so daß das AUX 1-Signal weder durch die Klangregelung noch durch die Fader-Einstellung beeinflußt wird. Es ist jedoch möglich, diese Summe mittels einer Drahtbrücke hinter die Klangregelung und den Fader zu legen.
- AUX2 und AUX3 liegen hinter der Klangregelung und dem Fader, so daß die entsprechenden Signale durch die Einstellungen beeinflußt werden.
- Mittels einer weiteren Drahtbrücke kann man die AUX-Summen zwischen (hinter) die Klangregelung und (vor) den Fader legen.
- ÜBERLASSEN SIE DAS ANBRINGEN DER DRAHTBRÜCKEN DEM QUALIFIZIERTEN YAMAHA-KUNDENDIENST!

⑥ PAN-Regler

Mit dem PAN-Regler bestimmt man die Position eines Signals im Stereoklangbild. Befindet sich dieser Regler ganz links (L), liegt das Signal nur am linken Ausgang an. Wurde der Regler jedoch in der Mitte (C) belassen, so wird das Signal über beide Ausgänge wiedergegeben. Bei Anwahl der R-Position liegt das entsprechende Signal nur am rechten Ausgang der Stereosumme an.

⑦ Kanal CUE-Taste

Drücken Sie diese Taste, um das Signal des entsprechenden Kanals zum PHONES-Ausgang zu senden. Die Lautstärke des Kopfhörersignals kann man mit dem CUE/PHONES-Regler einstellen. Das CUE-Signal wird vor der Klangregelung und dem Fader abgegriffen.

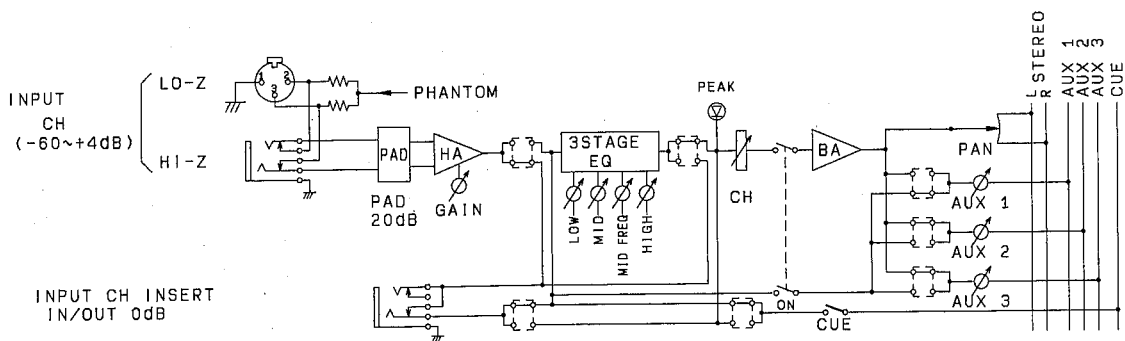
- Bei Verlassen des Werks liegt die CUE-Summe vor der Klangregelung. Es ist jedoch möglich, diese Summe mittels einer Drahtbrücke hinter die Klangregelung zu legen.
- ÜBERLASSEN SIE DAS ANBRINGEN DER DRAHTBRÜCKEN DEM QUALIFIZIERTEN YAMAHA-KUNDENDIENST!

⑧ Kanal ON-Taste

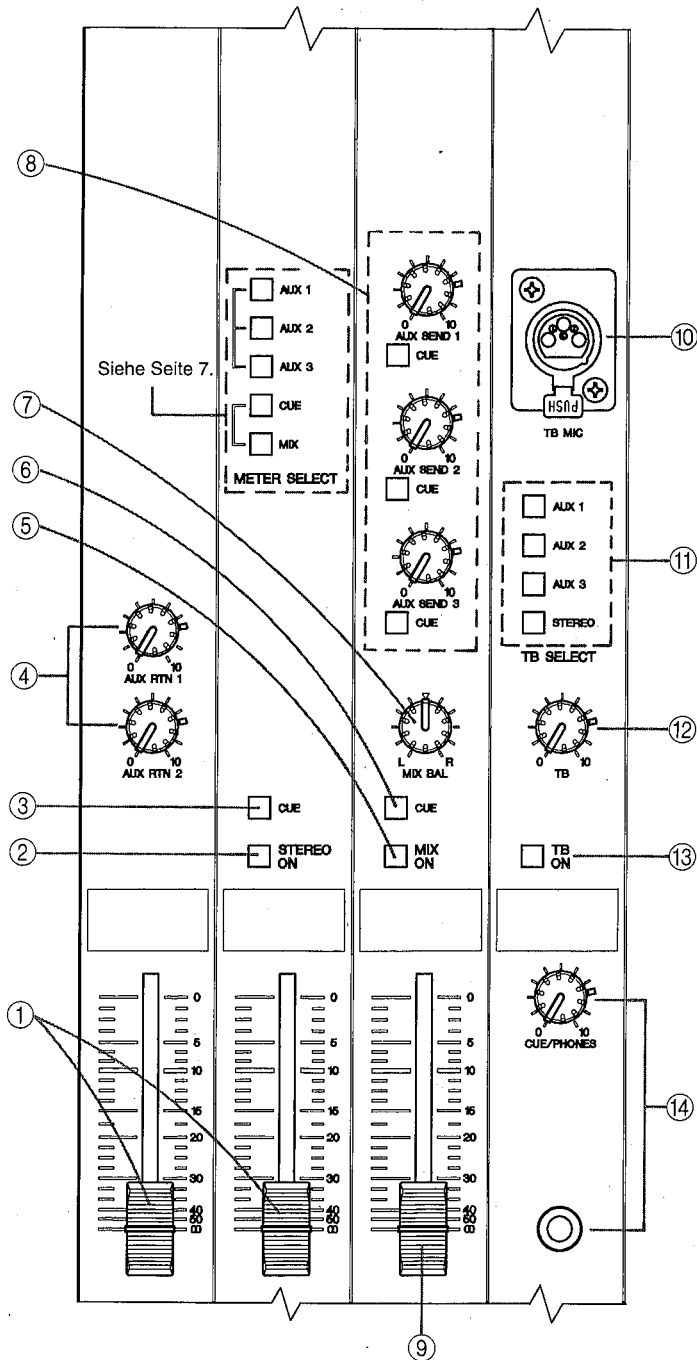
Mit der ON-Taste kann das Signal des entsprechenden Kanals der linken (L) und rechten (R) Stereosumme, der MIX-Summe und den drei AUX SEND-Summen zugeordnet werden. Wenn diese Taste eingeschaltet (eingerastet) ist, wird das Signal des betreffenden Kanals allen drei Summen zugeordnet. Ist sie ausgeschaltet (ausgerastet), ist das Signal des betreffenden Kanals stummgeschaltet. Auf diese Weise kann die ON-Taste als Stummschaltungstaste verwendet werden, beispielsweise um bei leisen Passagen unerwünschte Einstreuungen vom Mikrofon zu vermeiden.

⑨ Kanalfader

Dies ist der Pegelregler des Kanalzugs, mit dem man die Lautstärke des hier bearbeiteten Signals in der Stereosumme bestimmt. Will heißen: Mit den Fadern mischt man die einzelnen Instrumente und Stimmen miteinander ab (jedenfalls von der Lautstärke her).



Die Mastersektion



① Stereo-Master-Fader

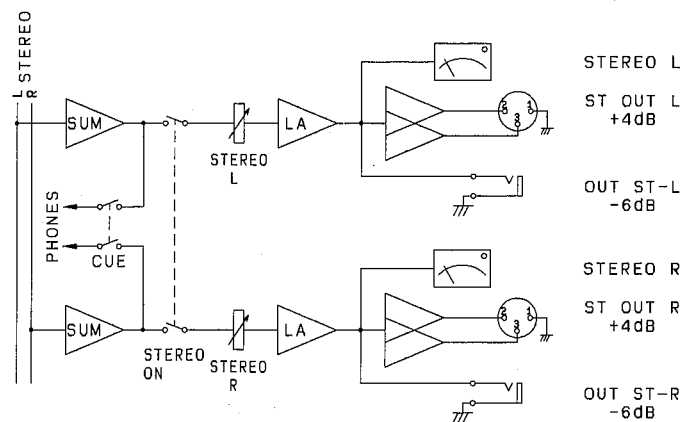
Mit diesen Fadern kann man den Pegel des rechten und linken Kanals getrennt regeln. Das Signal, dessen Pegel hier geregelt werden kann, liegt an den Buchsen ST OUT an.

② STEREO ON-Taste

Durch Einschalten dieser Taste können die Signale der Hauptstereosumme ein- und ausgeschaltet werden. Diese Taste liegt vor den Fadern und vor den Metern im Signalweg. Will heißen: Wenn diese Taste ausgeschaltet ist, werden keine Signalpegel auf den Hauptstereometern angezeigt. Das an MIX anliegende Signal wird von der Einstellung dieser Taste jedoch nicht beeinflusst.

③ Stereo-CUE-Taste

Beim Drücken dieser Taste liegt das Signal der Stereosumme in Stereo an der PHONES-Buchse an. Der Pegel kann mit dem CUE/PHONE-Regler eingestellt werden. Vergessen Sie nicht diese Taste zu deaktivieren, wenn Sie das Signal eines einzelnen Kanals oder einer AUX-Summe abhören möchten.



④ AUX RTN 1- und AUX RTN 2-Regler

Diese Potentiometer geben einem noch eine weitere Regelmöglichkeit. Hier stellt man den Pegel des an den AUX RTN 1- & 2-Buchsen anliegenden und daher den Pegel der entsprechenden Effekte in der Stereosumme ein. Die Einstellung gilt sowohl für den linken (L) als auch für den rechten Kanal (R): Ist das Effektgerät mono, kann es entweder an AUX RTN R oder L angeschlossen werden. Es ist dann sowohl im rechten als auch im linken Kanal der Stereosumme vorhanden. Bitte beachten Sie, daß kein separater AUX RTN3-Regler vorgesehen ist. Um das Signal eines an AUX3 angeschlossenen Zusatzgeräts zurückzuleiten, sollte es auf einen Kanalzug gelegt werden (bzw. auf zwei Kanalzüge bei einem Stereosignal).

⑤ **Mix ON-Taste**

Mit dieser Taste kann die Führung der Signale des linken (L) und rechten (R) Kanals des an die MIX-Summe gesendeten Signals freigegeben und gesperrt werden. Das Signal der MIX-Summe kann für einfache Aufnahmen von Konzerten oder zum Treiben einer zweiten Gruppe von Endstufen und Lautsprechern für Phasenkompensierung usw. verwendet werden.

⑥ **Mix CUE-Taste**

Mit dieser Taste wird das MIX-Signal auf die CUE-Summe geleitet, so daß Sie das MIX-Signal über Kopfhörer überwachen können.

⑦ **MIX BAL-Regler**

Mit diesem Potentiometer wird der relative Anteil des linken (L) und rechten (R) Kanals des an die MIX-Summe gesendeten Signals geregelt.

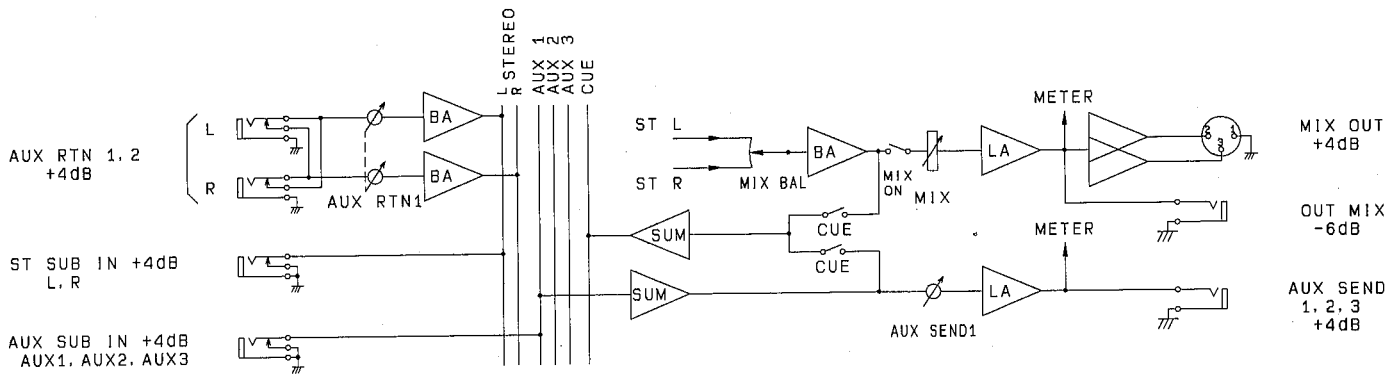
⑧ **AUX SEND (1, 2 & 3) Regler und CUE-Tasten**

Mit den drei AUX SEND-Reglern stellt man den

Gesamtpegel der AUX-Summe ein. Die AUX-Regler der Kanalzüge bestimmen den Effektanteil für ein Instrument-/Stimmensignal, d.h. dort legt man fest, wie stark der Effekt für den entsprechenden Kanal sein soll. Mit dem AUX SEND 1-Regler bestimmt man den Gesamtpegel aller (8, 12 oder 16) AUX 1-Signale, d.h. der AUX 1-Summe. Dasselbe gilt für die AUX 2/3- und AUX SEND 2/3-Regler. Mit den AUX SEND-Reglern sollte man den Ausgangspegel möglichst so einstellen, daß er der Eingangsempfindlichkeit des Zusatzgeräts exakt entspricht. Mit den CUE-Tasten schaltet man das AUX SEND-Signal zu der Kopfhörersumme. Wenn Sie das Signal von nur einer AUX-Summe im Kopfhörer wünschen, müssen die übrigen beiden CUE-Tasten nicht gedrückt sein.

⑨ **Mix-Fader**

Mit diesem Fader kann man den Pegel des Signals regeln, das am MIX-Summenausgang anliegt.



⑩ **Kommandoeingang (TB MIC)**

Dieser weibliche XLR-Stecker dient zum Anschließen eines Mikrofons (50 bis 600Ω).

⑪ **Zuordnungstasten der Kommandofunktion TB SELECT (AUX1/AUX2/AUX3/STEREO)**

Mit diesen Tasten bestimmt man, welcher Summe das Kommandosignal zugeordnet werden soll. Wurde mehr als eine Taste gedrückt, so liegt das Signal in mehreren Summen vor.

⑫ **TB-Regler**

Dies ist der Lautstärkereglter für das Kommandosignal.

⑬ **TB ON-Taste**

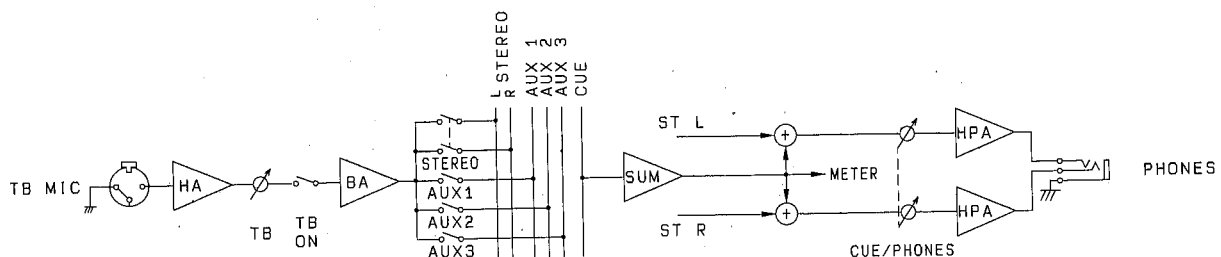
Drücken Sie diese Taste, um die Kommandofunktion zu

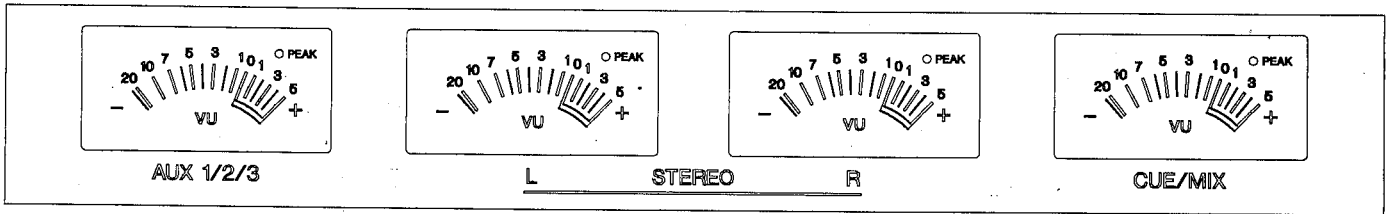
aktivieren. Das Mikrofon muß an die XLR-Buchse angeschlossen werden. Je nach der gedrückten Taste (oberhalb der XLR-Buchse) wird das Kommandosignal entweder über die Stereosumme oder einen der drei AUX-Wege gesendet.

⑭ **CUE/PHONES-Regler und PHONES-Buchse**

Der CUE/PHONES-Regler dient zum Regeln des CUE-Pegels für den Kopfhörer. An die PHONES-Buchse kann man einen Standard-Stereokopfhörer anschließen.

- Das CUE-Signal der Stereosumme wird in Stereo wiedergegeben, das Signal der AUX-Wege ist hingegen mono.



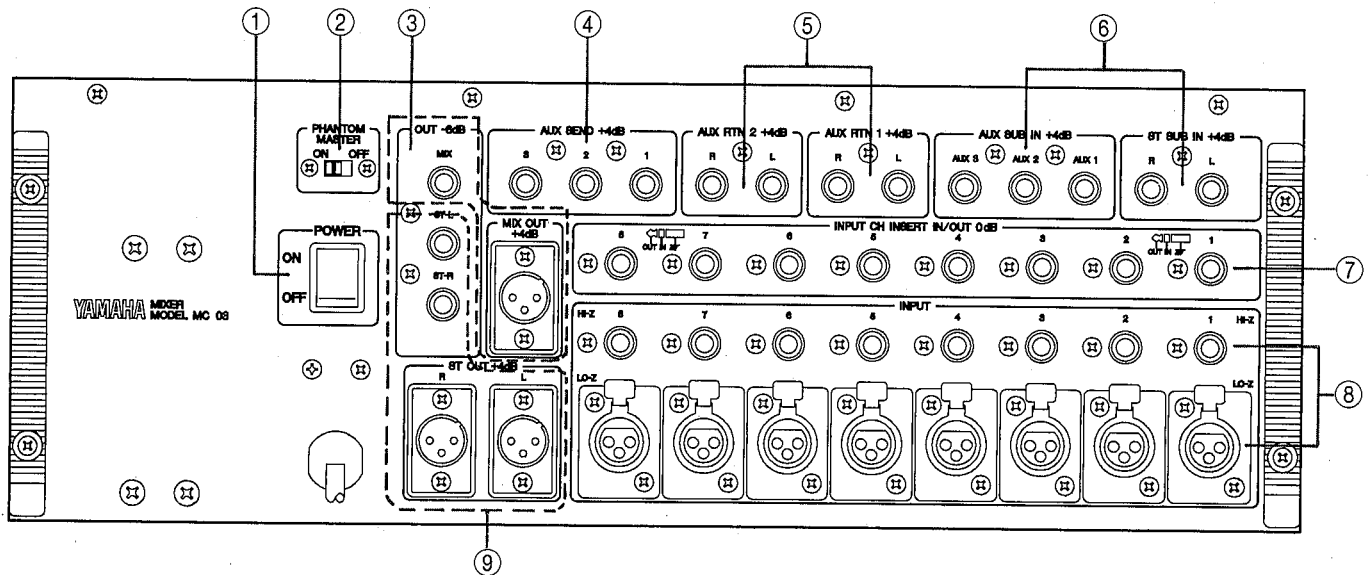


VU-Meter und METER SELECT-Tastenfeld (AUX1/AUX2/AUX3/CUE/MIX)

Die Mischpulte der MC-Serie sind mit drei Metern ausgestattet, die über eine Peakanzeige verfügen. Die beiden mittleren Meter L STEREO R zeigen das Signal der Stereosumme an. Der linke Meter AUX1/2/3 hingegen kann

eines der drei AUX-Signale wiedergeben. Das gewünschte Signal wählt man über das METER-Tastenfeld an. Der rechte Meter CUE/MIX kann eines der gewünschten CUE- oder MIX-Signale anzeigen. Die Anwahl des gewünschten Signals findet über die CUE- oder MIX METER SELECT-Tasten statt.

ANSCHLÜSSE UND BEDIENELEMENTE AUF DER RÜCKSEITE



① POWER-Schalter

Einmal drücken, um das Mischpult einzuschalten und ein zweites Mal, um es wieder auszuschalten. Sobald das Pult eingeschaltet ist, leuchten die drei Meter.

② PHANTOM MASTER-Schalter

Schieben Sie diesen Schalter auf ON, um die Phantomspannung für niederohmige Kondensatormikrofone einzuschalten. Schließen Sie die Mikrofone an die LO-Z XLR-Buchsen an.

- Schalten Sie die Phantomspannung immer auf OFF, wenn Kabel mit Line-Signalen an die Buchsen LO-Z angeschlossen sind.

③ Buchsen MIX OUT

An diesen Buchsen (symmetrische XLR-Buchse und unsymmetrische Klinke) liegen die Monosignale der MIX-Summe mit dem gleichen Pegel wie an den Buchsen STEREO OUT an.

④ Buchsen AUX SEND (1, 2 & 3)

An diesen Buchsen liegt die AUX 1, AUX 2 und AUX 3-Summe an und kann zu einem Zusatzgerät oder einer Endstufe gesendet werden. Der Ausgangspegel beträgt +4dB an 10kΩ.

⑤ **Buchsen AUX RTN 1 und AUX RTN 2**

Verbinden Sie über die AUX SEND-Buchsen die Ausgänge (den Ausgang) des Effektgerätes mit diesen (einer der beiden) Rückführungs-Buchsen. Die Mischpulte der MC-Serie können also mit Stereogeräten verbunden werden, deren Signal der Stereosumme zugemischt wird. Der Eingangspegel liegt bei +4dB an 600Ω.

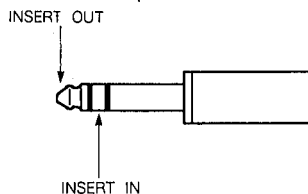
⑥ **Buchsen AUX SUB IN & ST SUB IN**

Mittels dieser Buchsen kann man zwei Mischpulte der MC-Serie hintereinander schalten. Verbinden Sie die AUX OUT-Buchsen des ersten Pults (des sog. Slaves) mit den AUX SUB IN-Eingängen des zweiten (sog. Master-Pults) und die STEREO-Ausgänge des Slaves mit den ST SUB IN-Buchsen des Masters.

⑦ **Buchsen INPUT CH INSERT IN/OUT**

Diese Buchsen erlauben das Einschleifen eines Kompressors o.ä. in einen Kanalzug. Das Signal wird hinter dem Vorverstärker abgegriffen und vor der Klangregelung in den Signalweg eingeschleift. Die Buchsen sind für TRS-Klinken mit folgender Verdrahtung vorgesehen: TIP=send (Ausgabe des Vorverstärkers), RING= return (das Effektsignal), SLEEVE= Schirmung. Am besten verwendet man zum Einschleifen sog. "Y"-Kabel, die das Send- und Return-Signal auf zwei Monoklinken verteilen.

- Bei Verlassen des Werks liegen die INSERT OUT-Signale vor der Klangregelung. Es ist jedoch möglich, diese Summe mittels einer Drahtbrücke hinter die Klangregelung zu legen.
- ÜBERLASSEN SIE DAS ANBRINGEN DER DRAHTBRÜCKEN DEM QUALIFIZIERTEN YAMAHA-KUNDENDIENST.



⑨ **Buchsen ST OUT L & R**

Die Mischpulte der MC-Serie bieten symmetrische XLR-Buchsen für die Stereosumme sowie unsymmetrische Klinkenbuchsen. Es liegt das abgemischte Signal der Stereosumme der Eingangssignale und der Rückführsignale an den AUX RTN-Buchsen an. Verbinden Sie diese Buchsen mit der Endstufe einer Beschallungsanlage, aktiven Keyboard-Boxen oder einem weiteren Mischpult. Der Ausgangspegel der XLR-Buchsen liegt bei +4dB an 600. Der Ausgangspegel der Klinkenbuchsen liegt bei -6dB.

HINWEIS: Die XLR-Buchsen der MC-Mischpulte sind entsprechend der DIN-Norm verdrahtet: Der 1. Stift führt die Schirmung, der 2. Stift ist "heiß" und der 3. Stift ist "kalt".

⑧ **Buchsen INPUT HI-Z und LO-Z**

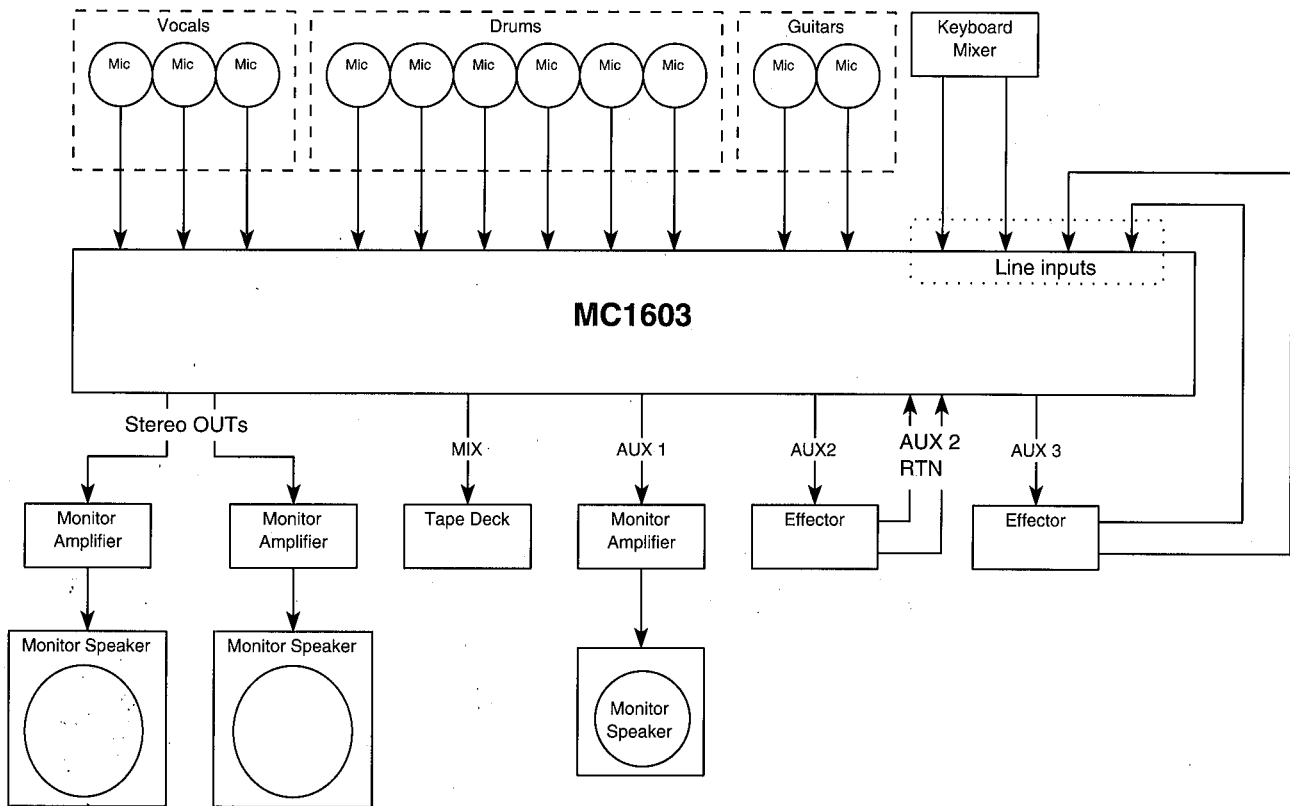
Jeder Kanal bietet zwei Anschlußmöglichkeiten: Einen niederohmigen (LO-Z) symmetrischen XLR-Eingang und einen hochohmigen (HI-Z) Klinkeneingang (TRS-Klinke). Die LO-Z-Eingänge dienen zum Anschließen professioneller Mikrofone mit geringem Widerstand oder von Musikinstrumenten mit niederohmigen symmetrischen Ausgängen.

An die Buchsen HI-Z kann man sowohl symmetrische als auch unsymmetrische Mikrofone und Line-Kabel anschließen.

ANWENDUNGSBEISPIEL

In unserem Beispiel wird das MC-1603 als Master-Mischpult einer Beschallungsanlage verwendet. Wir haben drei Gesangsmikrofone, 6 Mikrofone für das Schlagzeug und je ein Mikrofon für den Gitarren- und Baßverstärker vorgesehen, so daß bereits 11 Kanäle mit Mikrofonen belegt sind. Hinzu kommen zwei Kanäle des Keyboardmischpults (Stereo-Submix). Insgesamt werden also 13 Kanäle verwendet, so daß drei frei bleiben - zwei für die AUX 3-Rückführung und einer als Reserve. Die AUX 2- und die AUX 3-Summe (hinter den Fadern) werden zu digitalen Hall- und Effektgeräten geschickt, um die Stimmen deutlicher hervorzuheben und wunschgemäß mit Effekten zu versehen (die AUX 3-Returnsignale werden in zwei Kanäle eingeschleift). Die AUX 1-Summe (vor den Fadern) treibt die Bühnenendstufen und Bühnenmonitore für die Musiker. An die MIX-Summe haben wir eine Bandmaschine angeschlossen, um das Konzert zumindest mono aufnehmen zu können. An die STEREO OUT-Buchsen haben wir die Hauptendstufen und die Lautsprecheranlage für die Beschallung angeschlossen.

Dies ist aber nur eines von vielen Beispielen. Die Anlage richtet sich selbstverständlich immer nach dem Anwendungsbereich.



TECHNISCHE DATEN

■ Allgemeine Daten

Frequenzgang	20Hz — 20kHz	+1/−3dB	bei 600 Ω , +4dB
Klirrfaktor	< 0,1%	20Hz — 20kHz	bei 600 Ω , +4dB
Brummen und Rauschen*¹			
ST OUT, MIX OUT, AUX SEND	−128dB	Rauschäquivalente	
ST OUT, MIX OUT	−96dB	Restrauschen	
ST OUT	−88dB	Master-Fader auf Nennpegel Alle Kanalzuordnungstasten aus	
	−64dB	Master-Fader auf Nennpegel Ein Kanal fader auf Nennpegel	
AUX SEND	−78dB	Alle Kanalzuordnungstasten aus AUX SEND-Regler auf Nennpegel	
	−64dB	AUX SEND-Regler auf Nennpegel Ein AUX-Regler auf Nennpegel	
Max. Spannungsverstärkung	84dB	CH INPUT → ST OUT, MIX OUT	
	76dB	CH INPUT → AUX SEND 1	
	86dB	CH INPUT → AUX SEND 2, 3	
	16dB	AUX RTN → ST OUT	
	10dB	SUB IN → ST OUT	
	6dB	SUB IN → AUX SEND	
	66dB	TALKBACK → ST OUT	
Übersprechdämpfung bei 1kHz	−70dB	Nebeneinanderliegende Kanäle	
	−70dB	Eingang zu Ausgang, PAN	
Klangregelung	±15dB Anhebung oder Absenkung für alle drei Bänder		
	HIGH	10kHz* ² Kuhschwanz	
	MID	350Hz zu 5kHz Glocke	
	LOW	100Hz* ² Kuhschwanz	
Meter (0VU=+4dB oder 1,23Veff Ausgangspegel)	4 beleuchtete Meter (Nr. 1: Ausgangspegel oder AUX 1/AUX 2/ AUX 3 (wählbar)) Nr. 2 und 3: STEREO L und R; Nr. 4: MIX/CUE (wählbar); ab einem Signalpegel von +14dB leuchtet die Spitzenpegeldiode jedes Meters.		
PEAK-Anzeige	Rote Diode, alle Kanalzüge. Leuchtet, sobald post-EQ-Signal 3dB unter der Verzerrungsgrenze liegt.		
Phantomspannung	+48V Gleichstr. über 6,8kΩ Strombegrenzung-/Trennwiderstände, liegt an symmetr. Eingängen zur Speisung von Kondensatormikrofonen an.		

Stromanforderungen		Modell für USA und Kanada: 120V AC, 60Hz Modell für Großbritannien: 240V AC, 50Hz Allgemeines Modell: 230V AC, 50Hz	
Leistungsaufnahme		MC803	40W
		MC1203	45W
		MC1603	50W
		MC2403	60W
Abmessungen	Höhe		167 mm
	Tiefe		543mm
	Breite	MC803	506mm
		MC1203	642mm
		MC1603	778mm
MC2403		1050mm	
Gewicht		MC803	12,5kg
		MC1203	15,5kg
		MC1603	18,5kg
		MC 2403	24,5kg

- 0 dB = 0,775 Veff
- Nominalpegel Alle Fader: -10 dB
Alle Regler: -6 dB

*1 Bei 20Hz — 20kHz, $R_s = 150 \Omega$, gemessen mit einem Tiefpaßfilter -6 dB/Oktave bei 12,7 kHz

*2 Übergangs-/Dämpfungsfrequenz: 3dB unter dem max. Einstellpegel

■ Daten der Eingangsstufe

	EINGANG		EINGANGS-IMPEDANZ	QUELLEN-IMPEDANZ	EMPFINDLICHKEIT* ¹	EINGANGSPEGEL		BUCHSE
	PAD	GAIN				NENN-PEGEL	HÖCHSTP. FOR VERZERRUNG	
KANAL-INPUT	Ausger. (0dB)	-60dB	LO-Z 4kΩ HI-Z 10kΩ	50 bis 600 Ω Mikrofon oder 600Ω-Line-Signale	-80dB (0,08mV)	-60dB (0,8mV)	-40dB (7,75mV)	LO-Z: XLR-3-31 type (symmetrisch) und HI-Z: TRS* ² Klinke (symmetrisch)
					-40dB (7,75mV)	-20dB (77,5mV)	+4dB (1,23V)	
	Gedr. (20dB)	-20dB			-20dB (77,5mV)	0dB (775mV)	+24dB (12,3V)	
INPUT CH INSERT IN			10kΩ	600Ω-Line-Signale	-20dB (77,5mV)	-6dB (338mV)	+20dB (7,75V)	TRS-Klinke * ³
ST SUB IN, AUX SUB IN			10kΩ	600Ω-Line-Signale	-2dB (617mV)	+4dB (1,23V)	+20dB (7,75V)	Klinke (unsymm.)
AUX RTN			10kΩ	600Ω-Line-Signale	-12dB (195mV)	+4dB (1,23V)	—	Klinke (unsymm.)
TALKBACK IN			4kΩ	50 bis 600Ω Mikrofone	-66dB (0,39mV)	-50dB (2,45mV)	-24dB (48,9mV)	XLR-3-31 (unsymm.)

*1) Der zum Erreichen eines Ausgangssignals von +4dB erforderliche Eingangspegel

*2) HI-Z INPUT-Buchsen (T=HOT, R=COLD, S=GND)

*3) Insert Phone Jacks (T=OUT, R=IN, S=GND)

● 0 dB bezogen auf 0,775 Veff.

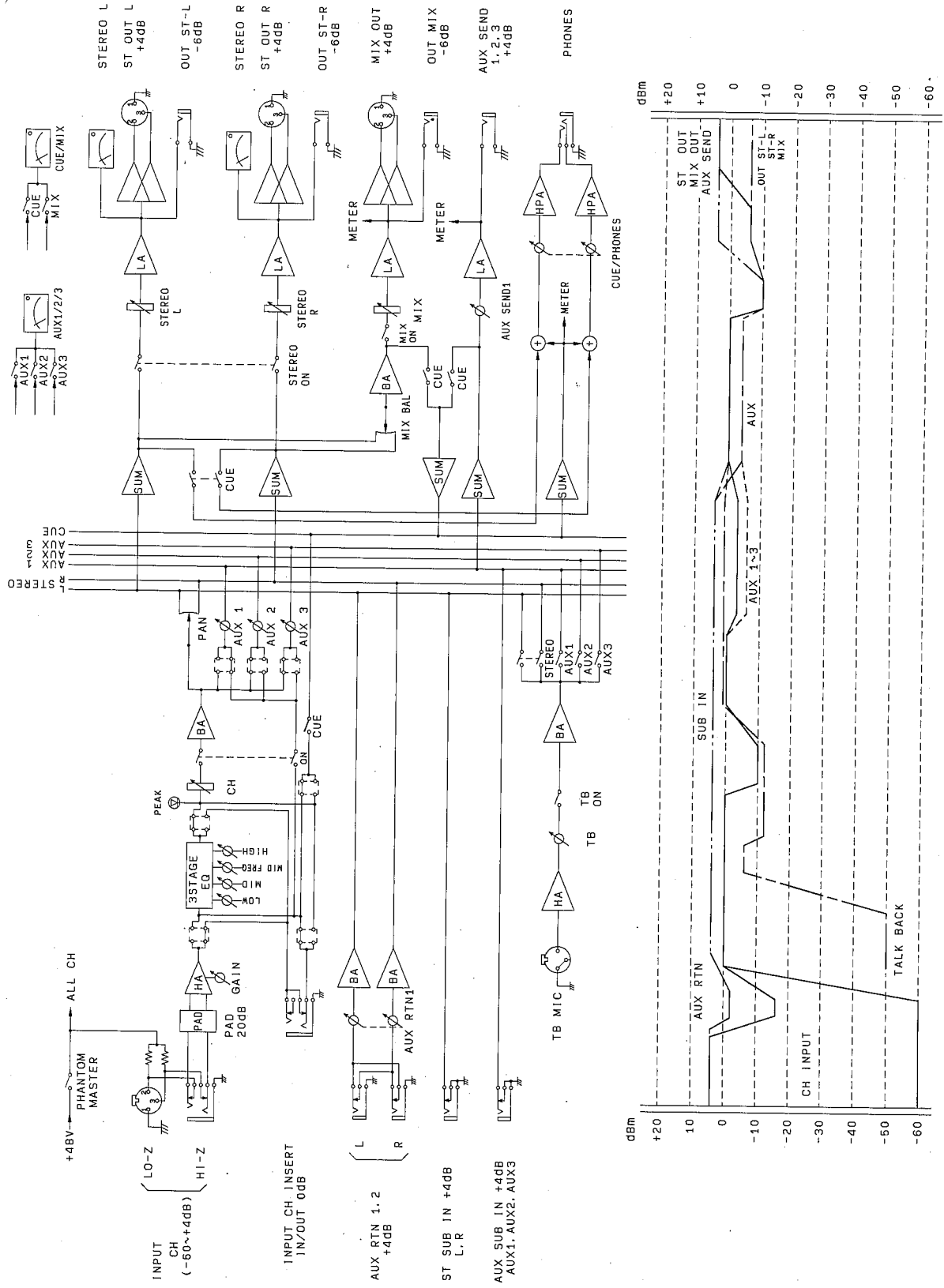
■ Ausgangsstufe

EINGANG	AUSGANGS-IMPEDANZ	LASTIM-PEDANZ	AUSGANGSPEGEL		BUCHSE
			NENNPEGEL	HÖCHSTP. FÜR VERZERRUNG	
ST OUT	150Ω	600Ω-Line-Signale	+4dB (1,23V)	+24dB (12,3V)	XLR-3-32 (symm.)
	600Ω	10kΩ-Line-Signale	-6dB (388mV)	+14dB (3,87V)	Klinke (unsymm.)
MIX OUT	150Ω	600Ω-Line-Signale	+4dB (1,23V)	+24dB (12,3V)	XLR-3-32 (symm.)
	600Ω	10kΩ-Line-Signale	-6dB (388mV)	+14dB (3,87V)	Klinke (unsymm.)
AUX SEND 1, 2, 3	100Ω	10kΩ Line-Signale	+4dB (1,23V)	+20dB (7,75V)	Klinke (unsymm.)
INPUT CH INSERT OUT	600Ω	10kΩ Line-Signale	0dB (775mV)	+20dB (7,75V)	TRS-Klinke* ¹
PHONES	100Ω	8Ω -Kopfh.	1mW	20mW	Stereo-Klinke (unsymm.)
		40Ω -Kopfh.	3mW	130mW	

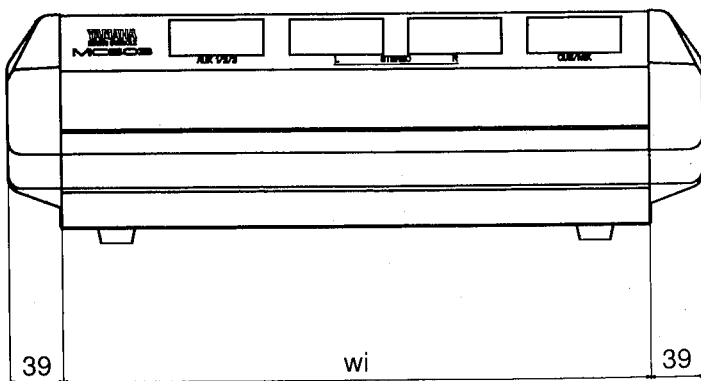
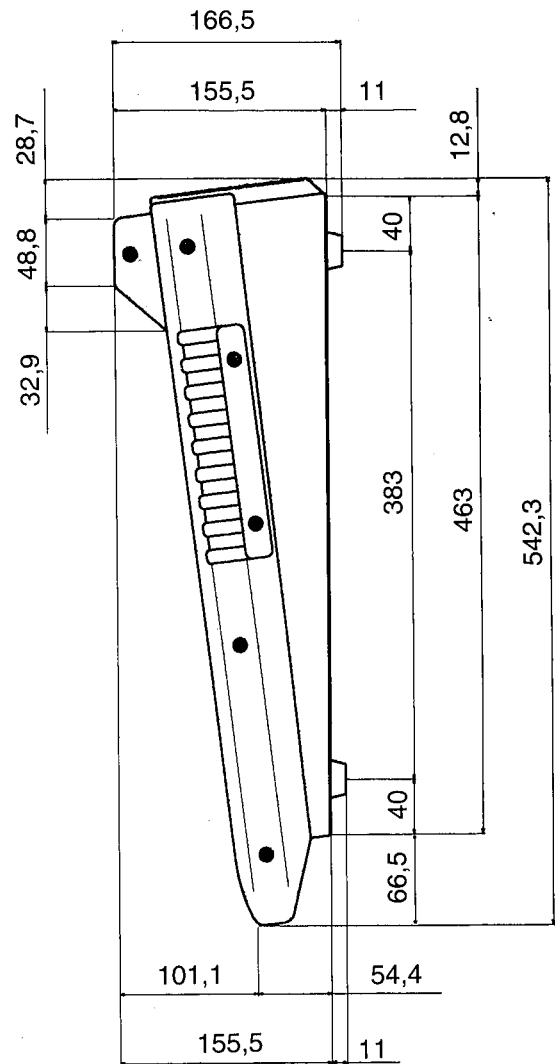
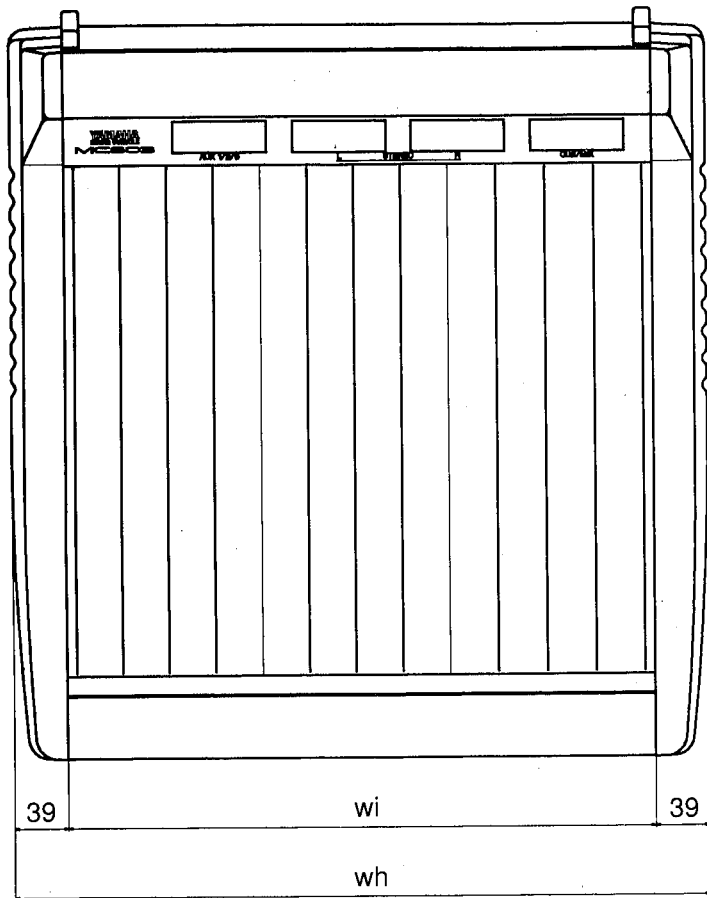
*1) Einsteck-Klinkenbuchsen (T=OUT, R=IN, S=GND)

● 0 dB bezogen auf 0,775 Veff.

■ Blockschaltbilder



■ Abmessungen



MODEL	wi	wh
MC803	428	506
MC1203	564	642
MC1603	700	778
MC2403	972	1050

Einheit: mm

Änderungne der technischen Daten jeder zeit vorbehalten.

KUNDENDIENST

Den Mischpulten der MC-Serie steht das weltweite Yamaha-Kundendienstnetz mit qualifizierten Technikern zur Verfügung. Im Falle einer Störung sofort den Fachhandel in Ihrer Nähe benachrichtigen.

YAMAHA

CONSOLA DE MEZCLA

MC803

MC1203

MC1603

MC2403

Español

Manual de Operación

¡Enhorabuena!

Usted es ahora el propietario de una consola de mezcla de la serie MC Yamaha. Su consola de mezcla Yamaha, tanto si es el modelo de 8, 12, 16, ó 24 canales, es un producto de alta calidad que le ofrecerá un rendimiento superior en una amplia gama de aplicaciones. Además de ofrecerle un sistema de mezcla muy versátil, las consolas de la serie MC ofrecen tomas de entrada equilibradas electrónicamente y tomas de salida estéreo para mantener la óptima calidad de la señal cuando se emplean cables largos, un versátil ecualizador de 3 bandas con capacidad de barrido de la ecualización de frecuencias medias en cada canal de entrada, tres sistemas secundarios de mezcla auxiliares independientes para enrutar los efectos externos o señales de un amplificador de potencia adicional, interruptores de aviso para poder monitorizar de forma independiente todos los buses y canales de entrada, un bus de mezcla adicional, y un sistema de conversación incorporado que proporcionar una forma conveniente de comunicación.

Naturalmente, las consolas de mezcla de la serie MC ofrecen también altos niveles de calidad y el excelente sonido por el que se conoce a Yamaha. Le rogamos que lea todo este manual de operación para poder aprovechar al máximo las numerosas funciones y controles de la consola.

INDICE

PRECAUCIONES	2
CONTROLES DEL PANEL FRONTA	3
Canales de entrada	3
Sección de control principal	5
CONECTORES Y CONTROLES DEL PANEL POSTERIOR	7
EJEMPLO DE APLICACION	9
ESPECIFICACIONES	10
Especificaciones generales	10
Características de entrada	12
Características de salida	12
Diagramas en bloques y de nivel	13
Dimensiones	14

PRECAUCIONES

1. EVITE LA HUMEDAD, POLVO Y VIBRACIONES EXCESIVOS

Mantenga la unidad apartada de lugares en los que pudiera quedar expuesta a altas temperaturas o humedad, como pueda ser cerca de radiadores, estufas, etc. Evite también los lugares sujetos a una acumulación de suciedad o vibraciones excesivas porque pueden causar daños mecánicos.

2. EVITE LOS GOLPES FISICOS

Los golpes físicos fuertes a la unidad pueden ser causa de daños. Manipúlela con cuidado.

3. NO ABRA LA UNIDAD NI INTENTE HACER USTED MISMO REPARACIONES O MODIFICACIONES

Este producto no contiene partes que pueda reparar el usuario. Solicite todo el mantenimiento al personal del servicio técnico cualificado de Yamaha. Si abre la unidad y/o toca sus circuitos internos anulará la garantía.

4. ASEGURESE DE QUE LA ALIMENTACION ESTE DESCONECTADA ANTES DE HACER CONEXIONES O DESCONEXIONES

Asegúrese de haber desconectado la alimentación antes de conectar o desconectar cables. Es importante para evitar daños en la unidad misma y en los otros equipos conectados.

5. MANIPULE LOS CABLES CON CUIDADO

Enchufe y desenchufe siempre los cables, incluyendo el de alimentación, tomándolos por el conector y no por el cable.

6. LIMPIE CON UN PAÑO SUAVE Y SECO

No utilice nunca solventes como puedan ser bencina o disolvente para limpiar la unidad. Límpiela con un paño suave y seco.

7. UTILICE SIEMPRE UNA FUENTE DE ALIMENTACION ADECUADA

Asegúrese de que la tensión de alimentación especificada en el panel posterior corresponde con la de la red eléctrica de CA de su localidad:

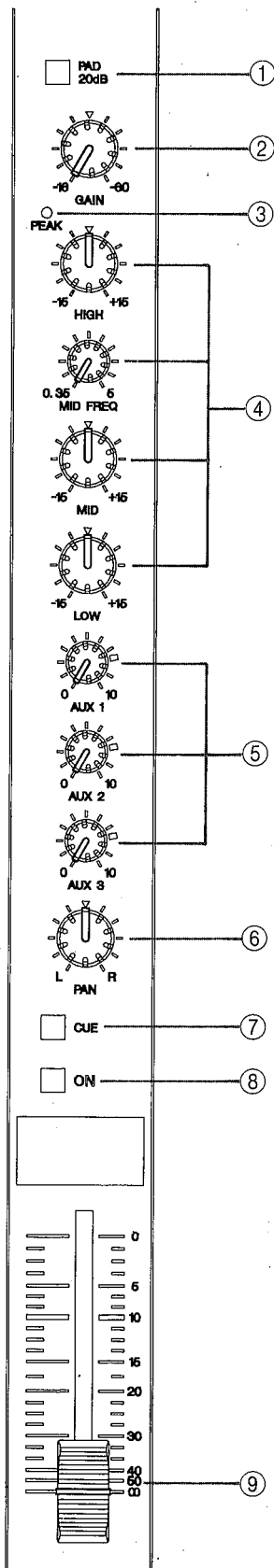
Modelos para EE.UU. y Canadá: 120V CA, 60 Hz

Modelo para Gran Bretaña: 240V CA, 50 Hz

Modelos generales: 230V CA, 50 Hz

CONTROLES DEL PANEL FRONTAL

■ Canales de entrada



① Interruptor del atenuador (PAD)

Este interruptor atenúa la señal aplicada a la entrada HI-Z o LO-Z del panel posterior correspondiente en 20 dB antes del amplificador de cabeza y control de ganancia de entrada. El interruptor PAD incrementa de forma efectiva el margen de los niveles de la señal de entrada que puede manipular la consola de mezcla, evitando así la sobrecarga de los circuitos de entrada cuando se reciben señales de alto nivel.

② Control de ganancia (GAIN)

Este control ajusta la sensibilidad de entrada de cada canal de entrada entre -60 dB ($0,775$ mV) y -20 dB ($77,5$ mV) cuando el interruptor PAD está en OFF (entre -40 dB y 0 dB cuando el interruptor PAD está en ON). Este control de ganancia continuamente variable permite la óptima correspondencia con virtualmente cualquier fuente de micrófono o de línea.

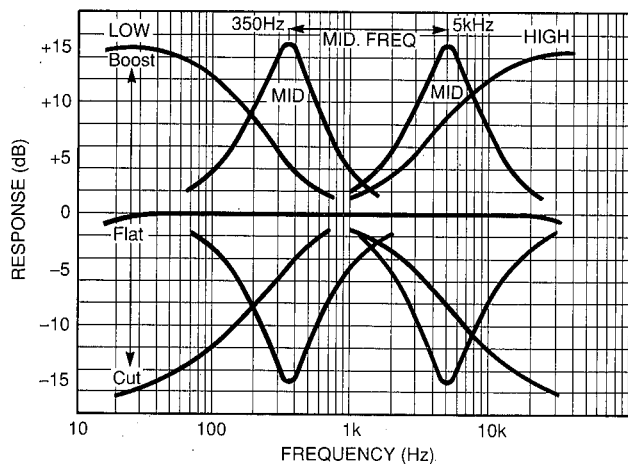
③ Indicador de picos (PEAK)

El indicador LED de PEAK se enciende cuando la señal post-EO de la entrada del canal correspondiente alcanza un nivel de 3 dB por debajo del nivel de distorsión del circuito del canal. Si el indicador PEK se enciende con frecuencia excesiva en transitorias de alto nivel, será necesario reducir la sensibilidad de entrada del canal empleando el control GAIN e interruptor PAD. De forma alternativa, si esto no proporciona una atenuación suficiente, habrá que reducir el nivel de salida de la fuente conectada a la entrada de este canal.

④ Ecualizador de 3 bandas

La sección del ecualizador provista en cada canal de entrada consta de los controles LOW y HIGH de inclinación, y de un control MID de picos con control MID FREQ que permite el barrido de la frecuencia central de margen medio desde 350 Hz a 5 kHz.

Control	Refuerzo/corte máximo	Frecuencia	Tipo
HIGH	± 15 dB	10kHz, ± 12 dB	Shelving
MID	± 15 dB	0,35 to 5kHz	Peaking
LOW	± 15 dB	100Hz, ± 12 dB	Shelving



⑤ **Controles de emisión auxiliar (AUX) (1, 2, y 3)**

Las consolas de mezcla de la serie MC tienen tres buses AUX independientes que se alimentan mediante los controles AUX correspondientes en los canales de entrada. Cada control AUX determina el nivel de la señal enviada desde este canal al buz de mezcla AUX del número correspondiente, que a su vez se aplica al control AUX SEND del número correspondiente y toma AUX SEND del panel posterior de la consola. Los controles AUX pueden usarse para determinar la cantidad de señal desde el canal de entrada correspondiente enviada a los dispositivos de efectos externos o amplificadores de potencia aplicada por las tomas AUX SEND.

- La toma AUX 1 es conectada en fábrica para operación de preecualización/preatenuación, por lo que la señal de AUX 1 no queda afectada por el ajuste de los controles EQ del canal ni por su atenuación. Un puenteado interno permite reconectar el control AUX 1 para operación de postecualización/postamortiguación.
- Las tomas AUX 2 y AUX 3 están conectadas en fábrica para la operación de postecualización/portecualización, por lo que las señales AUX 2 y AUX 3 quedan afectadas por el ajuste de los controles EQ y atenuación del canal. Los puenteados internos permite reconectar el control AUX 1 para operación de preecualización/preatenuación.
- Un puenteado interno de postecualización permite reconfigurar adicionalmente los controles AUX para la operación de postecualización/preatenuación.
- ¡SOLICITE TODOS LOS TRABAJOS DE CONEXION ARRIBA MENCIONADOS AL PERSONAL DE SERVICIO CUALIFICADO DE YAMAHA!

⑥ **Control de situación estéreo (PAN)**

El control de situación estéreo PAN determina la posición del campo de sonido estereofónico en el que se oye el sonido procedente de este canal. Cuando se gira por completo hacia la izquierda, la señal del canal se suministrará sólo desde la salida estéreo izquierda, y se oirá en el extremo izquierdo del campo sonodo. Si

el control PAN se gira completamente hacia la derecha, el sonido de este canal aparecerá en el extremo derecho del campo sonoro estereofónico. Si el control PAN se ajusta en la posición central, la señal del canal se enviará por igual a los canales izquierdo y derecho, haciendo que el sonido aparezca en el centro del campo sonoro. Los ajustes intermedios del control PAN hacen que el sonido se oiga en la posición correspondiente.

⑦ **Interruptor de aviso de canal (CUE)**

Cuando se presiona el interruptor CUE, la señal de preecualización/preatenuación de este canal se aplica a la salida PHONES a través del control de nivel CUE/PHONES. La señal de aviso del canal se añadirá a cualquier otra señal de aviso activa. Si desea escuchar sólo la señal desde un solo canal, asegúrese de que los otros interruptores CUE estén en OFF.

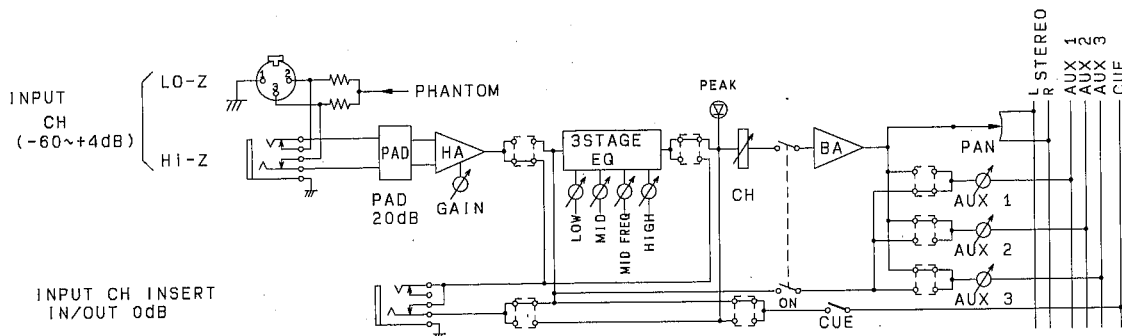
- El bus de CUE está conectado en fábrica para recibir una señal de preecualización. Este ajuste puede cambiarse mediante puenteados internos para ser de postecualización.
- ¡SOLICITE TODOS LOS TRABAJOS DE CONEXION ARRIBA MENCIONADOS AL PERSONAL DE SERVICIO CUALIFICADO DE YAMAHA!

⑧ **Interruptor de conexión de canal (ON)**

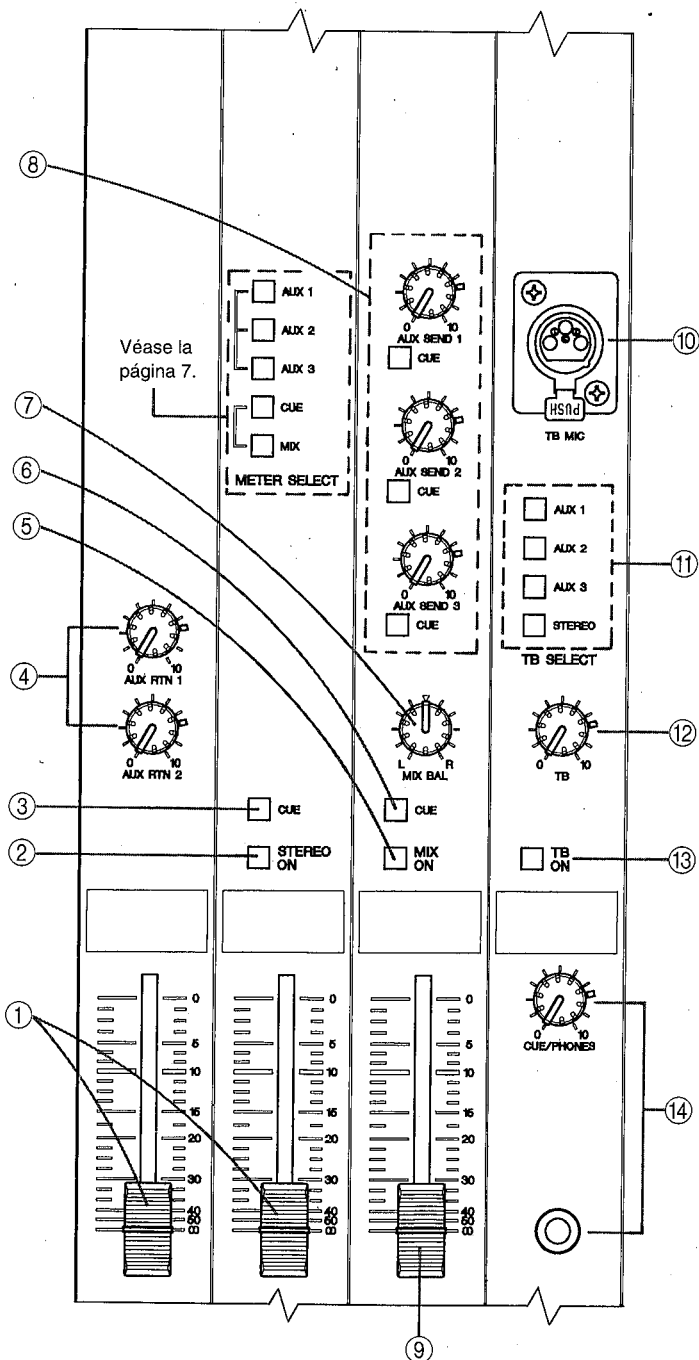
El interruptor ON de cada canal conmuta la señal del canal a los buses L y R estéreo, salidas MIX, y a los tres buses de emisión AUX. Cuando se pone en ON (presionado), la señal del canal se emite a todos estos buses. Cuando se pone en OFF, la señal del canal se silencia. Por lo tanto, es posible emplear este interruptor como interruptor de silenciamiento para evitar por ejemplo ruidos de micrófono en pasajes silenciosos.

⑨ **Atenuador de canal**

Este es el control de nivel principal para cada canal de entrada. Determina el nivel de la señal enviada desde el canal de entrada correspondiente al bus estéreo de la consola. Los ajustes de los atenuadores del canal de entrada determinan la "mezcla" o balance de los niveles del sonido entre los instrumentos u otras fuentes conectadas a las entradas.



■ Sección de control principal



① Atenuadores principales estéreo (stereo)

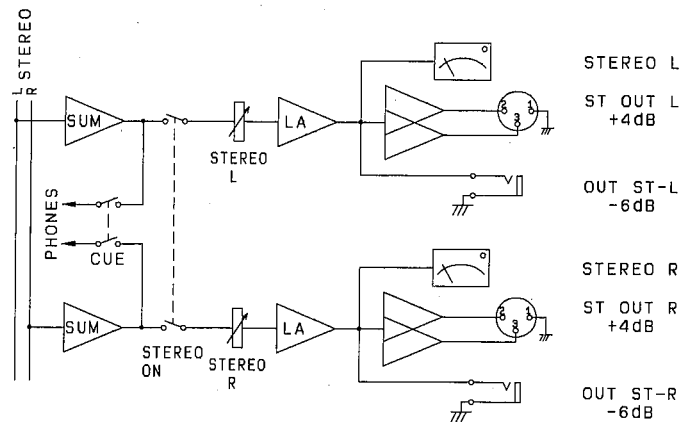
Los atenuadores principales stereo ajustan de forma independiente el nivel de las señales del bus del programa estéreo principal del canal izquierdo y derecho que aparecen en los conectores ST OUT.

② Interruptor de activación de estéreo (STEREO ON)

Al activar este interruptor se activarán y desactivarán las señales del bus estéreo principal. Este interruptor está situado antes de los atenuador y antes de los medidores en la cadena de la señal. En otras palabras, si este interruptor está desactivado, no se mostrarán los niveles de señal en los medidores STEREO principales. La señal enviada a MIX no queda afectada por este interruptor.

③ Interruptor de aviso estéreo (stereo CUE)

Al activar este interruptor, se envía la señal del buz del programa estéreo principal, en estéreo, a la toma PHONES estéreo, a través del control CUE/PHONES. EL interruptor stereo CUE debe activarse para permitir la monitorización con auriculares del programa estéreo principal, pero debe desactivarse para monitorizar la señal del canal de entrada o de aviso del bus AUX.



④ Controles de retorno auxiliar (AUX RTN 1 y AUX RTN 2)

Estos controles ajustan el nivel de la señal recibida en las tomas AUX RTN del panel posterior y mezcladas en el programa estéreo principal. Puesto que se proporcionan los retornos AUX estéreo (AUX RTN 1 L y R, y AUX RTN 2 L y R) los controles AUX RTN ajustan simultáneamente el nivel de las señales que aparecen en las entradas de retorno L y R correspondientes. Las señales retornadas del canal L y R se envían a las líneas de bus estéreo L y R. Si sólo se retorna una señal de un canal (es decir, se inserta la clavija sólo en la toma L o en la R), la señal se aplicará a los canales L y R del bus estéreo.

- Tenga presente que no hay ningún control AUX RTN 3 exclusivo. Si desea retornar una señal desde cualquier dispositivo conectado a AUX 3, deberá enrutarla a uno (o a los dos, si es estéreo) de los canales de entrada.

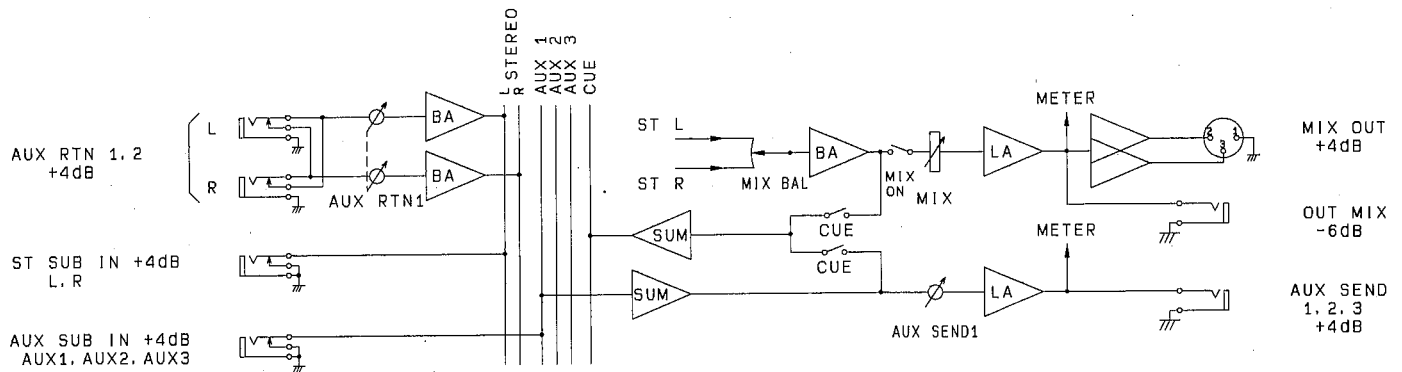
⑤ Interruptor de mezcla (MIX ON)

Permite o imposibilita el enrutamiento de las señales de los canales izquierdo (L) y derecho (R) a las salidas MIX. Las salidas MIX pueden usarse para haber una simple grabación en directo, o pueden usarse para operar un segundo juego de amplificadores de potencia y altavoces para la compensación de fase, etc.

- ⑥ **Interruptor de aviso de mezcla (Mix CUE)**
Este interruptor enruta la señal MIX al bus CUE (permitiéndole escuchar la señal MIX empleando los auriculares).
- ⑦ **Control de balance de la mezcla (MIX BAL)**
Este control ajusta el balance relativo de los canales izquierdo/derecho de las señales enviadas a las salidas MIX.
- ⑧ **Controles de emisión auxiliar (AUX SEND) (1, 2, y 3) e interruptores de aviso (CUE)**
Sirven para ajustar el nivel de salida global de las "mezclas" auxiliares preparadas empleando los controles AUX 1, AUX 2 y AUX 3 de los canales de entrada. Los niveles que aparecen en las salidas AUX se controlan mediante el control AUX SEND correspondiente. Estos controles deben usarse para hacer la

óptima correspondencia del nivel de salida AUX SEND de la consola de mezcla con la sensibilidad de entrada de la unidad de efectos, dispositivo de proceso de la señal o amplificador utilizados. Los interruptores CUE asociados con cada control AUX SEND pueden usarse para emitir la señal AUX SEND correspondiente a la toma PHONES a través del control de nivel CUE/PHONES. La señal(es) de aviso AUX se añadirá a cualquier otra señal de aviso activa. Si desea escuchar sólo la señal desde un solo bus AUX, asegúrese de que todos los otros interruptores CUE estén desconectados.

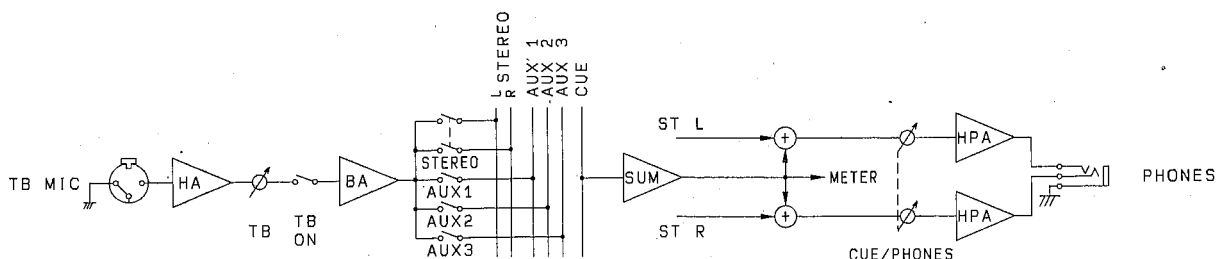
- ⑨ **Atenuador de mezcla (Mix)**
Este atenuador ajusta el nivel de la señal emitida a la salida MIX.

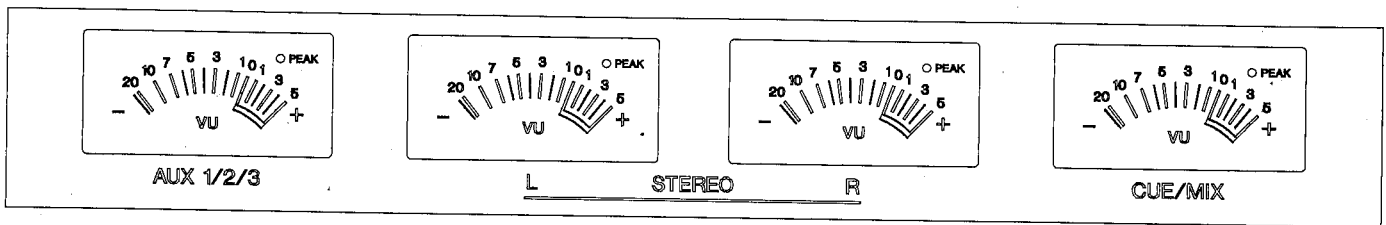


- ⑩ **Conector de micrófono de conversación (TB MIC)**
Este conector tipo XLR hembra acepta cualquier micrófono estándar de 50 a 600Ω para captar la conversación. Un micrófono de cuello largo que puede colocarse en la posición más cómoda es una opción excelente.
- ⑪ **Interruptores de asignación de conversación TB SELECT (AUX 1/AUX 2/AUX 3/STEREO)**
Estos interruptores permiten aplicar la señal de conversación a los buses STEREO, AUX 1, AUX 2, o AUX 3. Cualquier número de interruptores puede estar activado al mismo tiempo, por lo que usted podrá enrutar esta conversación a cierto número de buses de la consola de forma simultánea.
- ⑫ **Control del nivel de conversación (TB)**
Ajusta el nivel de la señal de conversación enviada al bus(es) seleccionado.

- ⑬ **Interruptor de activación de conversación (TB ON)**
Al presionar este interruptor se activa el micrófono de conversación enchufado al conector de micrófono de conversación, permitiendo la comunicación de voz desde el operador de la consola a los buses STEREO, AUX 1, AUX 2, o AUX 3 de acuerdo con el ajuste de los interruptores de asignación de conversación.

- ⑭ **Control de aviso/auriculares (CUE/PHONES) y toma de auriculares (PHONES)**
El control CUE/PHONES ajusta el nivel de la señal de aviso enviada a la toma PHONES para que usted pueda ajustar el nivel de monitorización de los auriculares más apropiado. La toma de auriculares estéreo acepta cualquier juego de auriculares estéreo estándar.
- La señal de aviso STEREO aparece en estéreo en la toma de auriculares, mientras que las señales de aviso de canal y AUX son monoaurales.



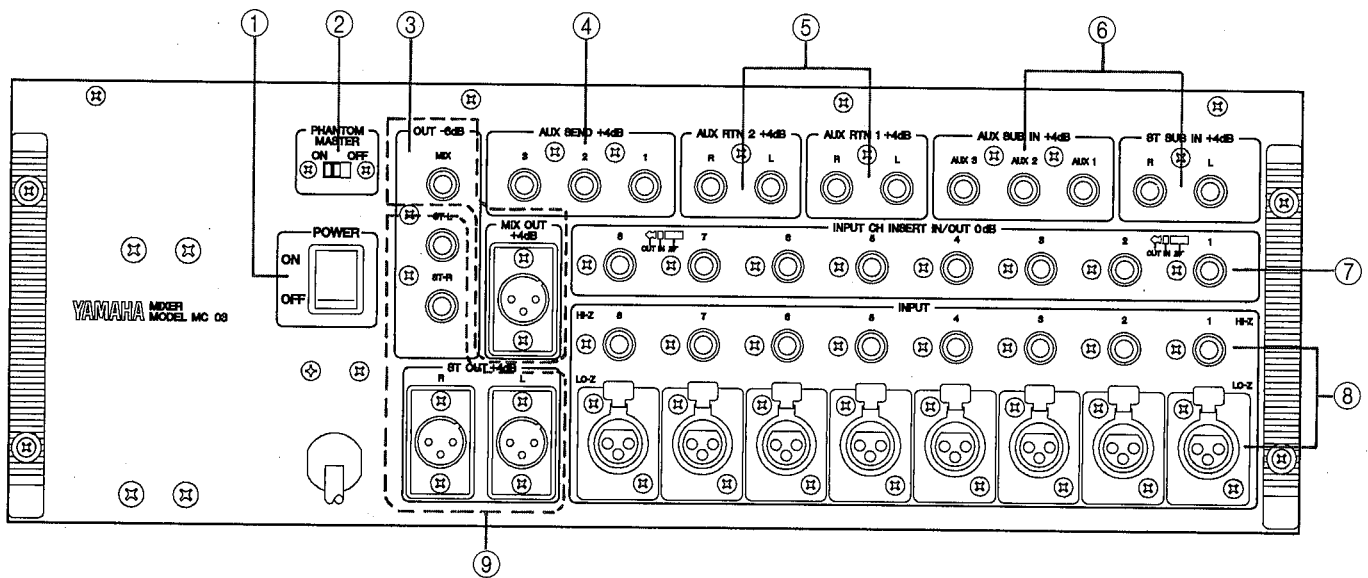


Medidores VU e interruptores de selección de medidor (METER) (AUX 1/ AUX 2/AUX 3/CUE/MIX)

La consola de mezcla de la serie MC incorpora cuatro medidores VU con indicadores LED de picos incorporados para monitorizar los niveles de la señal. El LED de picos se enciende a +14 dB. El par de medidores centrales (L STEREO R) monitorizan continuamente las señales del bus de programa estéreo principal. El medi-

dor AUX 1/2/3 puede conmutarse para monitorizar las señales de los buses AUX 1, AUX 2 o AUX 3 presionando el interruptor de asignación METER correspondiente. El medidor derecho puede conmutarse entre monitor de los niveles CUE o MIX presionando el interruptor de selector CUE o MIX METER SELECT.

CONECTORES Y CONTROLES DEL PANEL POSTERIOR



① Interruptor de alimentación (POWER)

Acciónelo hacia arriba para conectar la alimentación, y hacia abajo para desconectarla. Las lámparas del medidor VUS se encenderán cuando se haya conectado la alimentación.

② Interruptor principal fantasma (PHANTOM MASTER)

Conecte este interruptor para aplicar +48 V CC a los conectores de entrada LO-Z XLR cuando use micrófonos de condensador de alimentación fantasma.

- NO conecte nunca el interruptor PHANTOM MASTER cuando emplee fuentes de nivel de línea conectadas a las entradas LO-Z.

③ Conectores de salida de mezcla (MIX OUT)

Los conectores MIX OUT (XLR equilibrados y telefónicos equilibrados) llevan las señales de las salidas MIX monoaural. Los niveles de señal son los mismos que para los conectores stereo OUT.

④ Tomas de emisión auxiliar 1, 2, y 3 (AUX SEND, 1, 2, y 3)

Estas tomas proporcionan las mezclas de AUX 1, AUX 2 y AUX 3, respectivamente, para aplicación a un dispositivo de efectos exterior o amplificador de potencia. El nivel/impedancia de salida nominal es de +4 dB/10kΩ.

⑤ **Tomas AUX RTN 1 y AUX RTN 2**

La salida monoaural o estéreo procedente de las unidades de efectos aplicada mediante las tomas AUX SEND puede retornarse a la mezcla de programa estéreo principal a través de estas tomas. Tenga presente que cada AUX RTN ofrece tomas de retorno independientes para los buses izquierdo y derecho, acomodando la señal de retorno desde las unidades de efectos provistas de salidas estéreo. El nivel/impedancia de entrada nominal es de +4 dB/600Ω.

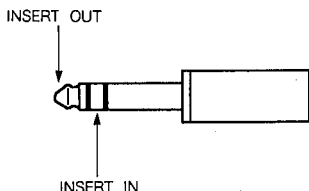
⑥ **Tomas de entrada secundaria auxiliar y estéreo (AUX SUB IN y ST SUB IN)**

Estas cinco tomas permiten conectar en "cascada" dos consolas de mezcla de la serie MC para incrementar el número de canales de entrada disponibles. Las tomas AUX OUT de la primera consola (secundaria) deben conectarse a las tomas AUX SUB IN de la otra consola (principal), y las salidas STEREO de la consola secundaria deben conectarse a las tomas ST SUB IN correspondientes de la consola principal.

⑦ **Tomas de entrada/salida de inserción de canal de entrada (INPUT CH INSERT IN/OUT)**

Estas tomas permiten la inserción de compresores, limitadores u otros tipos de equipos de proceso de señal externa entre el amplificador de cabeza y la etapa de ecualización de cada canal de entrada. Las tomas son del tipo de manguito de punta-anillo en las que la punta es para emisión (SEND) (de la salida del amplificador de cabeza), el anillo es para retorno (RETURN) (de la entrada a la etapa de ecualización), y el manguito es tierra. Puede inserte el equipo exterior usando cables del tipo "Y" que bifurcan las líneas SEND y RETURN desde una clavija telefónica del tipo punta-anillo a dos clavijas telefónicas monoaurales separadas.

- Las señales de INSERT OUT están conectadas en fábrica para ser de preecualización. Esto podrá cambiarse mediante puenteados internos para ser de postecualización.
- **?SOLICITE TODOS LOS TRABAJOS DE CONEXION ARRIBA MENCIONADOS AL PERSONAL DE SERVICIO CUALIFICADO DE YAMAHA!**



⑧ **Conectores de entrada INPUT HI-Z y LO-Z**

Cada canal de entrada ofrece una selección de dos conectores de entrada: Un conector LO-Z (baja impedancia) tipo XLR y una toma telefónica de 1/4"

de manguito de punta-anillo (alta impedancia) HI-Z. Las entradas LO-Z sirven principalmente para instrumentos electrónicos con salidas equilibradas de baja impedancia. Las entradas HI-Z aceptan señales equilibradas o desequilibradas desde micrófonos de alta impedancia, instrumentos musicales u otros equipos similares.

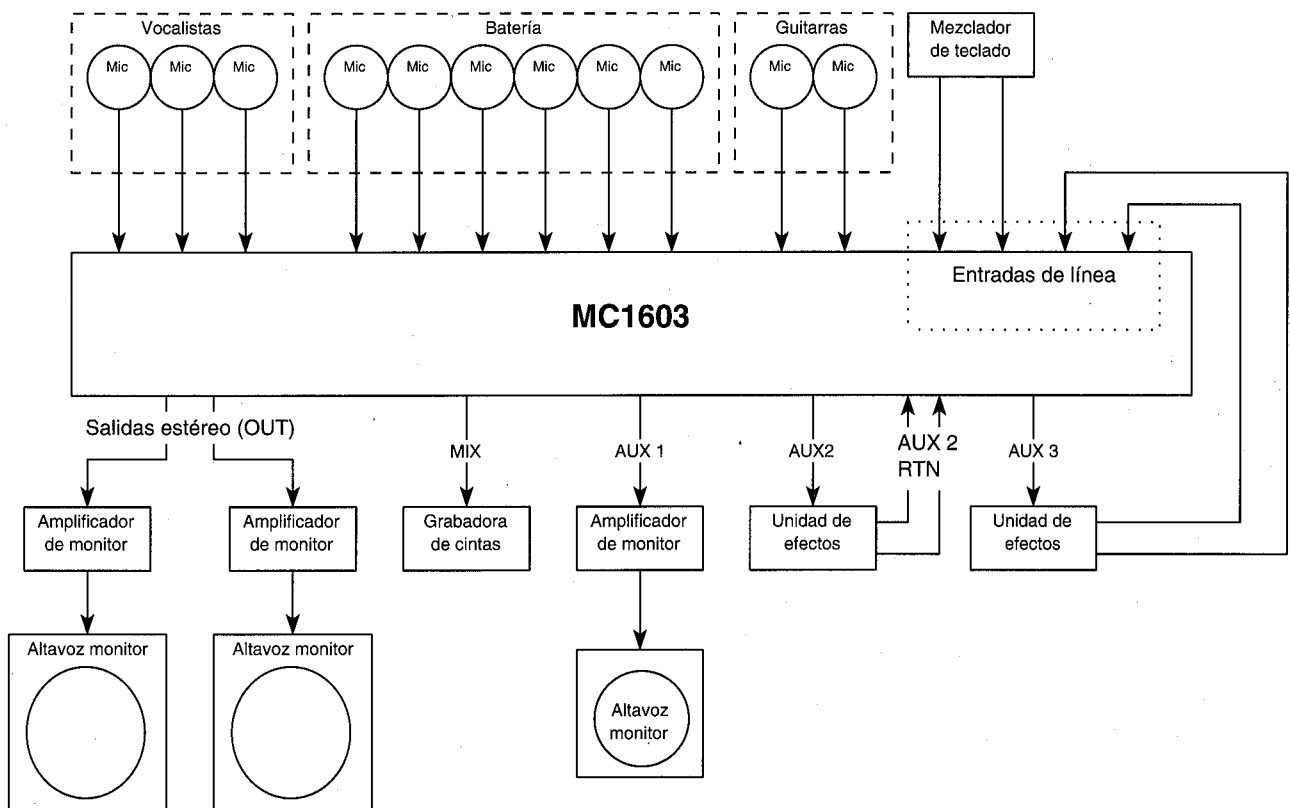
⑨ **Conectores izquierdo y derecho de salida estéreo (ST OUT, L y R)**

Las consolas de mezcla de la serie MC ofrecen salidas de conector XLR equilibradas desde el bus estéreo principal, así como conectores telefónicos desequilibrados. La señal proporcionada es una mezcla estéreo de las señales del canal de entrada y señales retornadas a las tomas AUX RTN. La señal stereo OUT se usa normalmente para operar un amplificador de potencia y sistema de altavoces, altavoces alimentados de teclado o una consola de mezcla principal. El nivel de salida nominal/impedancia de carga de las señales de salida XLR es de +4 dB/600Ω. El nivel de salida nominal en los conectores telefónicos es de -6 dB.

NOTA: *Los conectores XLR de la consola de mezcla de la serie MC están conectados de acuerdo con las especificaciones DIN. La patilla 1 es el apantalla (tierra), la patilla 2 es la activa (alta de señal) y la patilla 3 es la desactiva (baja de señal).*

EJEMPLO DE APLICACION

En el sistema abajo mostrado, la MC1603 se usa como consola principal en un sistema reforzado de sonido. Se han conectado tres micrófonos vocales, seis micrófonos de batería, un micrófono del amplificador de guitarra y otro del amplificador del bajo a 11 de las 16 entradas LO-Z disponibles. Las salidas estéreo de nivel de línea desde una consola de mezcla de teclado en escenario se aplican a dos entradas HI-Z. De este modo, se usan un total de 13 canales de entrada, dejando tres libres, dos para retornos de AUX 3 y uno de reserva. Los buses de AUX 2 y AUX 3 (posatenuador) se aplican a unidades digitales de reverberación/efectos para añadir ambiente y efectos cuando es necesario (los retornos de AUX 3 se ponen en bucle a dos canales de entrada). El bus de AUX 1 (preatenuador) opera los amplificadores de potencia del escenario y altavoces monitores de los músicos. Las salidas MIX operan una grabadora de cintas para hacer una grabación monoaural de la interpretación. Los conectores stereo OUT operan los amplificadores de potencia principales y sistema de altavoces.



ESPECIFICACIONES

■ Especificaciones generales

Respuesta en frecuencia	20Hz — 20kHz	+1/-3dB	600 Ω , +4dB
Distorsión armónica total	< 0,1%	20Hz — 20kHz	600 Ω , +4dB
Zumbido y ruido*1			
ST OUT, MIX OUT, AUX SEND	-128 dB	Rudio de entrada equivalente	
ST OUT, MIX OUT	-96 dB	Rudio de salida residual	
ST OUT	-88 dB	Atenuador principal en el valor nominal Todos los canales activados, interruptores desconectados	
	-64 dB	Atenuador principal en el valor nominal Un atenuador de canal en el valor nominal	
AUX SEND	-78 dB	Control AUX SEND en el valor nominal Todos los canales activados, interruptor desconectado	
	-64 dB	Control AUX SEND en el valor nominal Control AUX de un canal en el valor nominal	
Ganancia máxima de tensión	84 dB	CH INPUT → ST OUT, MIX OUT	
	76 dB	CH INPUT → AUX SEND 1	
	86 dB	CH INPUT → AUX SEND 2, 3	
	16 dB	AUX RTN → ST OUT	
	10 dB	SUB IN → ST OUT	
	6 dB	SUB IN → AUX SEND	
	66 dB	TALKBACK → ST OUT	
Diafonía 1 kHz	-70 dB	Cabales de entrada adyacentes	
	-70 dB	Entrada a salida, PAN	
Ecuación del canal de entrada	Corte o refuerzo máximo de ±15 dB en cada una de las tres bandas		
	ALTAS	inclinación de 10 kHz*2	
	MEDIAS	Picos de 350 Hz a 5 kHz*2	
	BAJAS	inclinación de 100 Hz	
Medidores VU (0VU = +4 dB o 1,23 Vrms de nivel de salida)	4 medidores iluminados (#1 - AUX 1, 2, 3; seleccionable, #2 y #3 - STEREO L y R, #4 - MIX/CUE; seleccionable). LED de picos en cada medidor que se enciende cuando el nivel de la señal alcanza el nivel de +14 dB		
Indicadores de pico (PEAK)	El LED rojo de cada canal se enciende cuando la señal de postecualización alcanza 3 dB por debajo del nivel de distorsión		
Alimentación fantasma	+48V CC suministrados a través de resistores de limitación de corriente/ aislamiento de 6,8 k a entradas equilibradas para alimentar micrófonos de condensador		
Alimentación	Todos los modelos de la serie		
	EE.UU. y Canadá	120V CA, 60Hz	
	Gran Bretaña	240V CA, 50Hz	
	General	230V CA, 50Hz	

Consumo de energía	MC803	40W	
	MC1203	45W	
	MC1603	50W	
	MC2403	60W	
Dimensiones	Altura	167 mm	
	Profundidad	543 mm	
	Anchura	MC803	506mm
		MC1203	642 mm
		MC1603	778 mm
MC2403		1050 mm	
Peso	MC803	12,5kg	
	MC1203	15,5kg	
	MC1603	18,5kg	
	MC2403	24,5kg	

- 0 dB = 0,775 Vrms.
- Nivel nominal Todos los atenuadores: -10 dB
Todos los controles de nivel: -6 dB

*1 20Hz — 20kHz, $R_s = 150\Omega$ con LPF de -6 dB/octava, 12,7 kHz

*2 Frecuencia de conmutación/ atenuación progresiva: 3 dB por debajo del nivel variable máximo.

■ Características de entrada

ENTRADA			IMPEDANCIA DE ENTRADA	IMPEDANCIA DE FUENTE	SENSIBILIDAD*1	NIVELES DE ENTRADA		TIPO DE CONECTOR
ATENUADOR	GANANCIA	NIVEL NOMINAL				NIVEL MAXIMO SIN DISTORSION		
CH INPUT	OFF (0dB)	-60dB	LO-Z 4kΩ HI-Z 10kΩ	Micrófono de 50 a 600Ω o línea de 600Ω	-80dB (0,08mV)	-60dB (0,8mV)	-40dB (7,75mV)	LO-Z: Toma tipo XLR-3-31 (equilibrada) y HI-Z: toma telefónica TRS*2 (equilibrada)
					-40dB (7,75mV)	-20dB (77,5mV)	+4dB (1,23V)	
	ON (20dB)	-20dB			-20dB (77,5mV)	0dB (775mV)	+24dB (12,3V)	
INPUT CH INSERT IN			10kΩ	Línea de 600Ω	-20dB (77,5mV)	0dB (775mV)	+20dB (7,75V)	Toma telefónica TRS (desequilibrada)
ST SUB IN, AUX SUB IN			10kΩ	Línea de 600Ω	-2dB (617mV)	+4dB (1,23V)	+20dB (7,75V)	Toma telefónica TRS*3
AUX RTN			10kΩ	Línea de 600Ω	-12dB (195mV)	+4dB (1,23V)	—	Toma telefónica (desequilibrada)
TALKBACK IN			4kΩ	Micrófono de 50 a 600Ω	-66dB (0,39mV)	-50dB (2,45mV)	-24dB (48,9mV)	Tipo XLR-3-31 (desequilibrada)

*1) Nivel de entrada requerido para producir un nivel de salida nominal de +4 dB

*2) Tomas HI-Z (T=activa, R=inactiva, S=tierra)

*3) Inserte las tomas de auriculares (T=OUT, R=IN, S=GND)

■ Características de salida

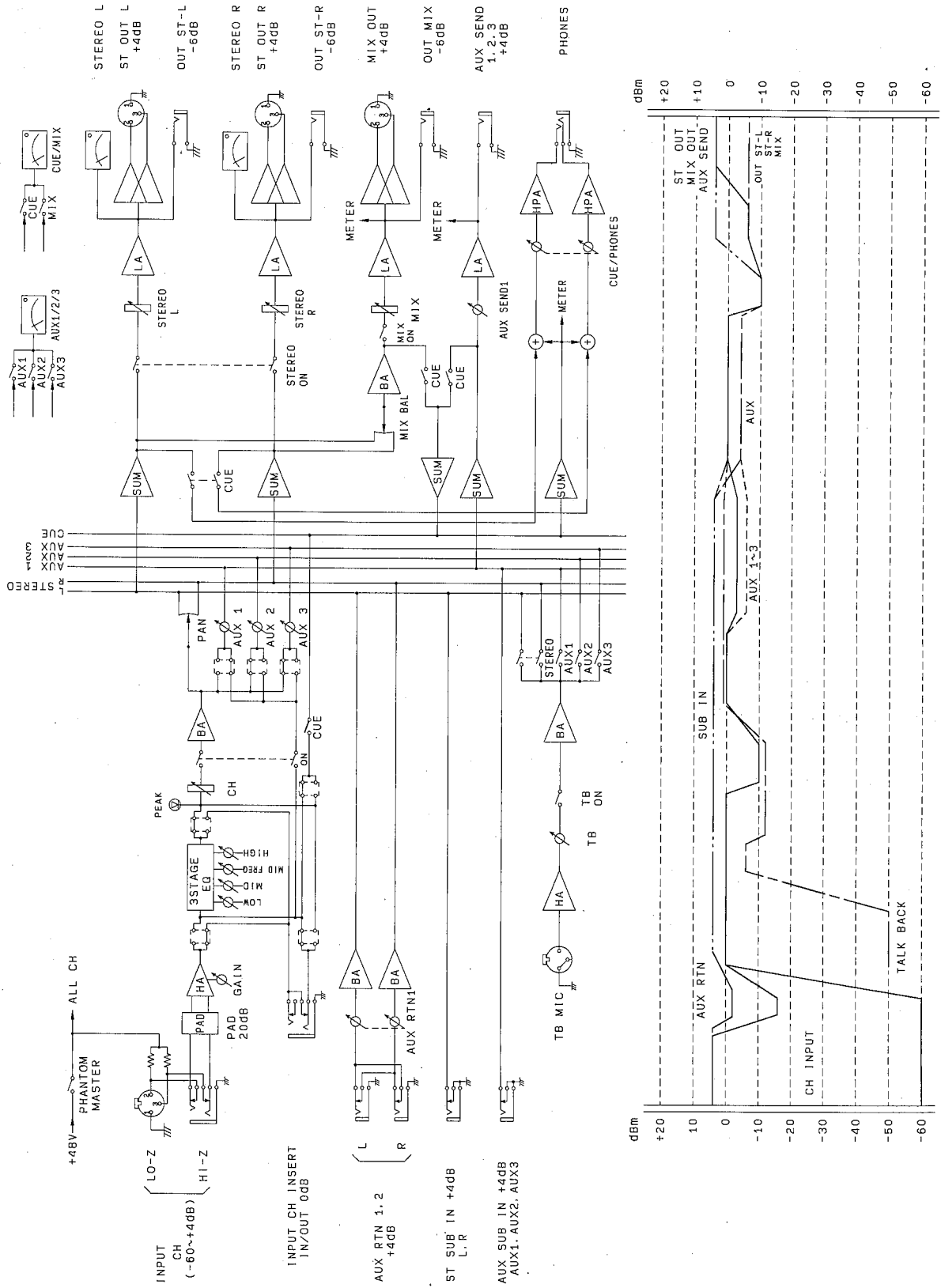
SALIDA	IMPEDANCIA DE ENTRADA	IMPEDANCIA DE SALIDA	NIVELES DE SALIDA		TIPO DE CONECTOR
			NIVEL NOMINAL	NIVEL MAXIMO SIN DISTORSION	
ST OUT	150Ω	Línea de 600Ω	+4dB (1,23V)	+24dB (12,3V)	Tipo XLR-3-32 (equilibrada)
	600Ω	Línea de 10kΩ	-6dB (388mV)	+20dB (7,75V)	Toma telefónica (desequilibrada)
MIX OUT	150Ω	Línea de 600Ω	+4dB (1,23V)	+24dB (12,3V)	Tipo XLR-3-32 (equilibrada)
	600Ω	Línea de 10kΩ	-6dB (388mV)	+20dB (7,75V)	Toma telefónica (desequilibrada)
AUX SEND 1, 2, 3	100Ω	Línea de 10kΩ	+4dB (1,23V)	+20dB (7,75V)	Toma telefónica (desequilibrada)
INPUT CH INSERT OUT	600Ω	Línea de 10kΩ	0dB (775mV)	+20dB (7,75V)	Toma telefónica TRS*1
PHONES	100Ω	Auriculares de 8Ω	1mW	20mW	Toma telefónica estéreo (desequilibrada)
		Auriculares de 40Ω	3mW	130mW	

* 0dB = 0,775Vrms

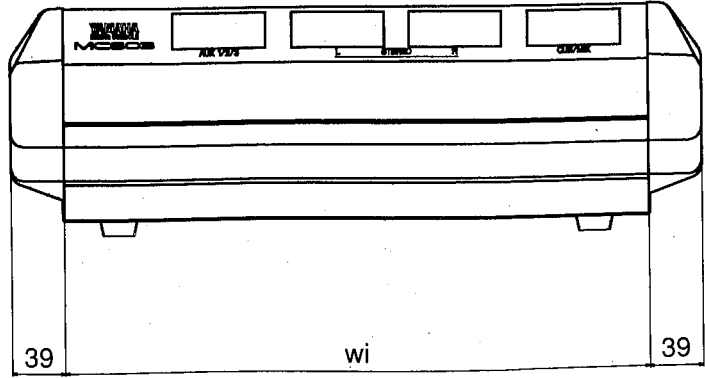
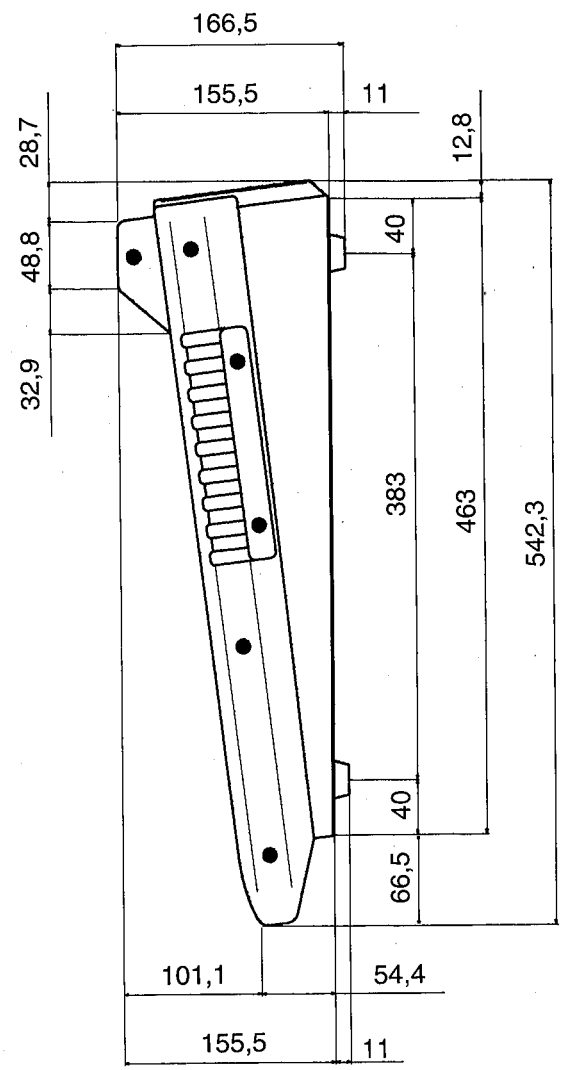
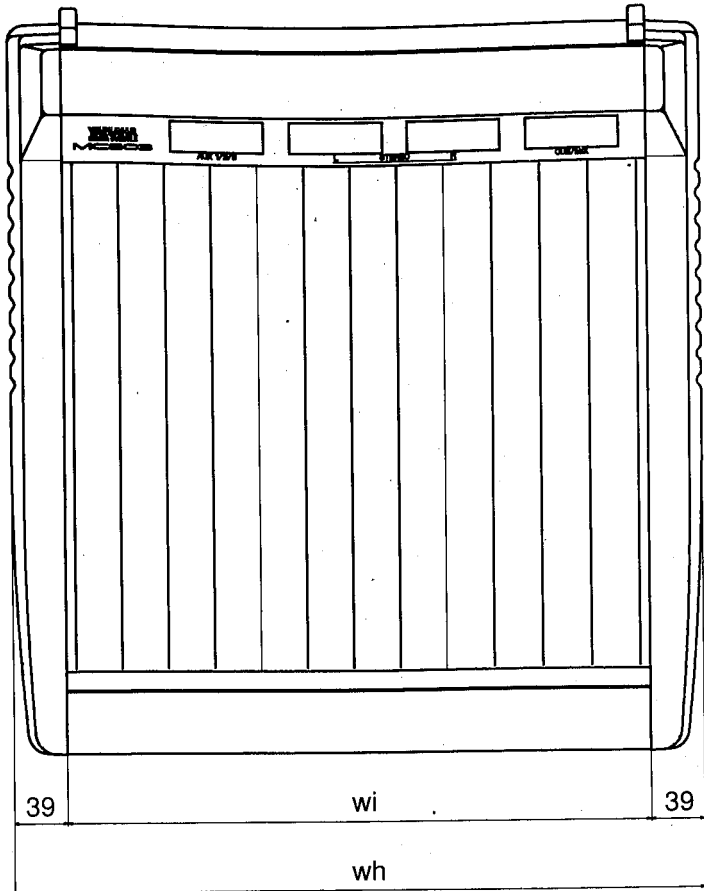
*1) Inserte las tomas de auriculares (T=OUT, R=IN, S=GND)

● Nos referimos a 0 dB como 0,775 Vrms.

■ Diagramas en bloques y de nivel



■ Dimensiones



MODEL	wi	wh
MC803	428	506
MC1203	564	642
MC1603	700	778
MC2403	972	1050

Unidad: mm

Especificaciones sujetas a cambios sin previo aviso.

SERVICIO

Este producto está apoyado por la red internacional de Yamaha con el personal bien entrenado en fábrica y del servicio cualificado de los distribuidores. En el caso de algún problema, póngase en contacto con el distribuidor de Yamaha más cercano.

YAMAHA

