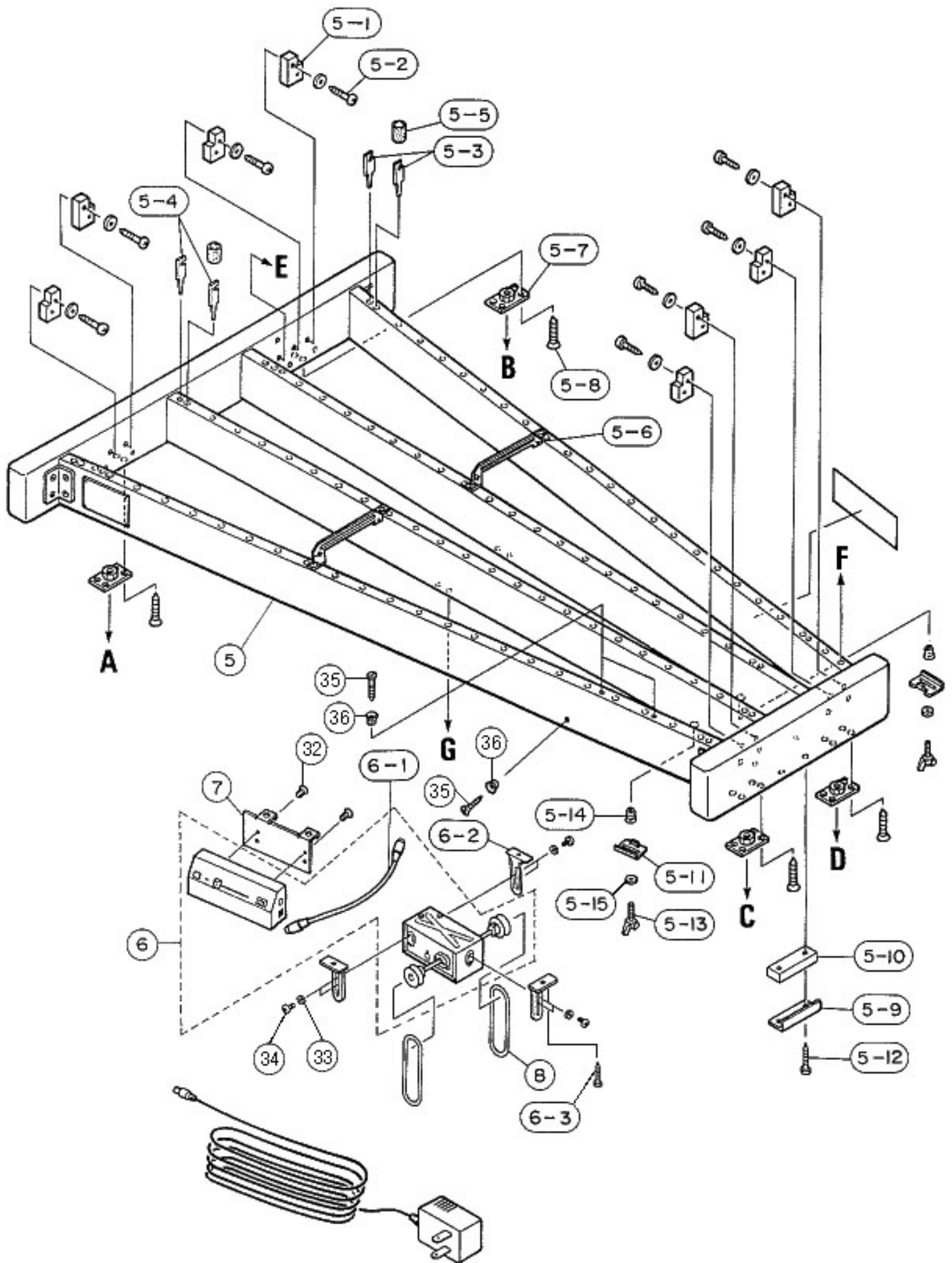
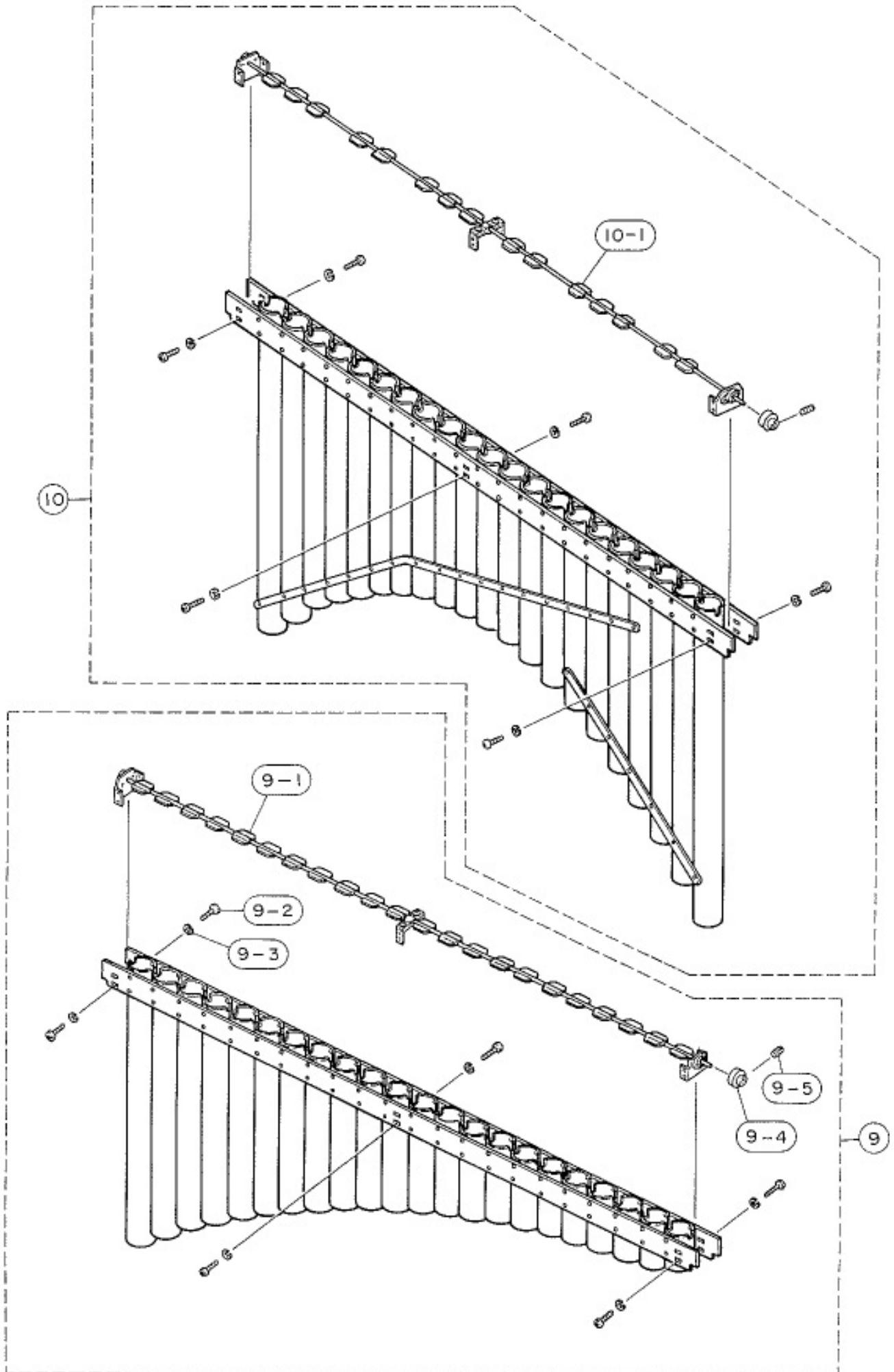


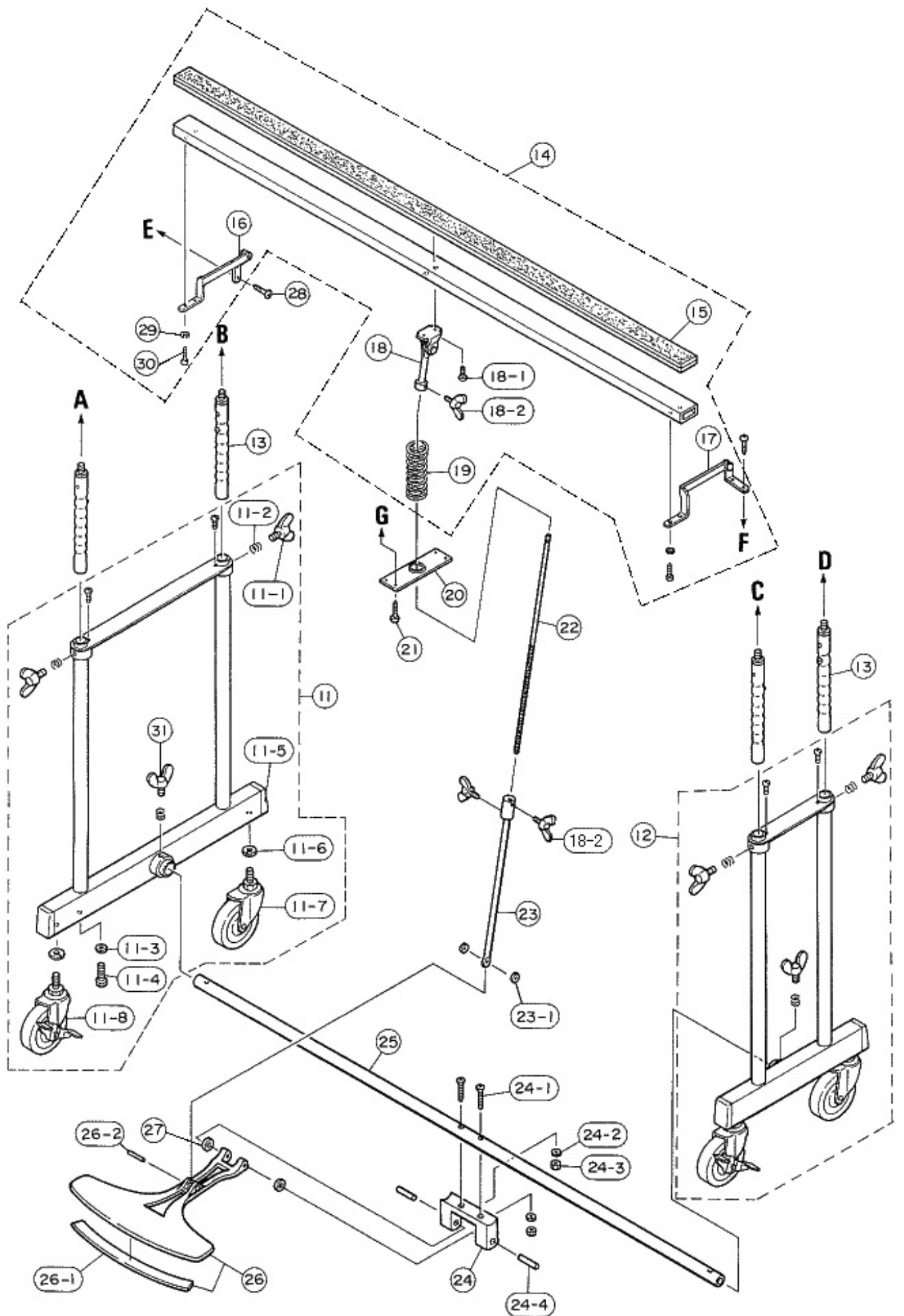
Model Name : YV-1605



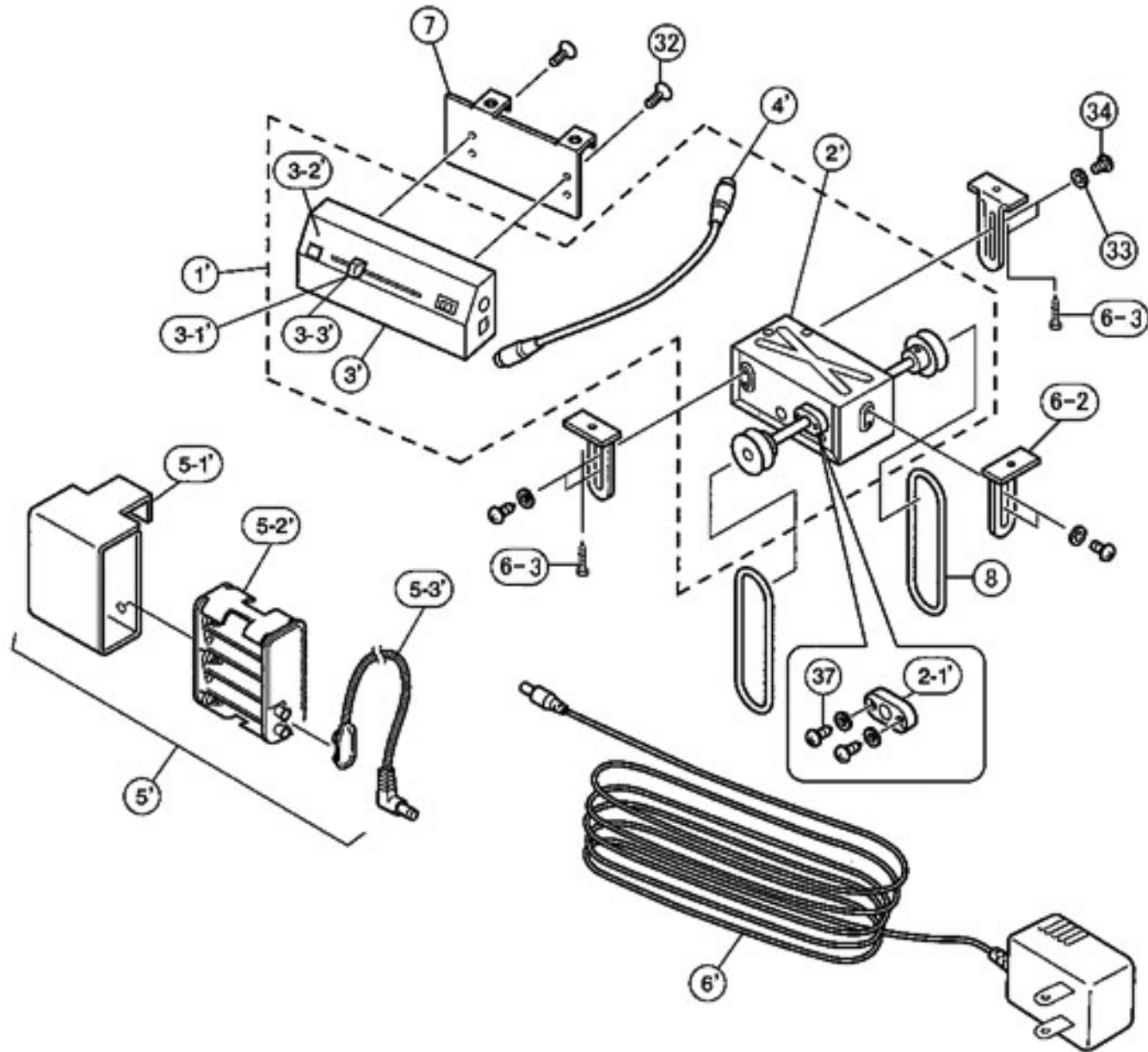
Model Name : YV-1605



Model Name : YV-1605



Model Name : YV-1605



Model Name : YV-1605

Ref No.	Parts No.(ChangeNo.)	English Name	Minimum Delivery	Accept order or not
1	WR726100	Tone Bar Set(Natural)Ass'y YV-1605	1 PC.	
1'	W5170400	YVM-200 ASS'Y YV1600A/3000A	1 PC	
1-1	WR139500	TONE BAR 33K F YV-1605	1 PC.	
1-10	WR141100	TONE BAR 49K A YV-1605	1 PC.	
1-11	WR141300	TONE BAR 51K B YV-1605	1 PC.	
1-12	WR141400	TONE BAR 52K C YV-1605	1 PC.	
1-13	WR141600	TONE BAR 54K D YV-1605	1 PC.	
1-14	WR141800	TONE BAR 56K E YV-1605	1 PC.	
1-15	WR141900	TONE BAR 57K F YV-1605	1 PC.	
1-16	WR142100	TONE BAR 59K G YV-1605	1 PC.	
1-17	WR142300	TONE BAR 61K A YV-1605	1 PC.	
1-18	WR142500	TONE BAR 63K B YV-1605	1 PC.	
1-19	WR142600	TONE BAR 64K C YV-1605	1 PC.	
1-2	WR139700	TONE BAR 35K G YV-1605	1 PC.	
1-20	WR142800	TONE BAR 66K D YV-1605	1 PC.	
1-21	WR143000	TONE BAR 68K E YV-1605	1 PC.	
1-22	WR143100	TONE BAR 69K E YV-1605	1 PC.	
1-3	WR139900	TONE BAR 37K A YV-1605	1 PC.	
1-4	WR140100	TONE BAR 39K B YV-1605	1 PC.	
1-5	WR140200	TONE BAR 40K C YV-1605	1 PC.	
1-6	WR140400	TONE BAR 42K D YV-1605	1 PC.	
1-7	WR140600	TONE BAR 44K E YV-1605	1 PC.	
1-8	WR140700	TONE BAR 45K F YV-1605	1 PC.	
1-9	WR140900	TONE BAR 47K G YV-1605	1 PC.	
10	W5182201	ACCIDENTAL TONE RESONATORS ASS'Y YV1600A	1 PC	
10-1	W5111040	REVOLVING FAN SHAFT ASS'Y YV-1600	1 PC	
11	W5184101	LEG BASE(LOW TONE END SIDE) YV-1600A	1 PC	
11-1	W5127695	WING BOLT M8X15 YV3910J	1 PC.	
11-2	W5184107	MOUNT SPRING YV3200A	1 PC	
11-3	EV303806	SPRING WASHER M8 YX30E	1 BAG	
11-4	W5111320	HEXAGONAL BOLT M8X23 YV-1600	1 PC	
11-5	W5111100	LEG PIPE CAP YV-1600	1 PC	
11-6	W5111310	SPRING WASHER YV-1600	1 PC	
11-7	W5135440	CASTER YV2500	1 PC	
11-8	W5135430	CASTER (WITH BRAKE) YV2500	1 PC	
12	W5184201	LEG BASE(HIGH TONE END SIDE) YV520	1 PC	
13	W5114005	SLIDE LEG YM2400	1 PC	
14	W5110881	SUSTAIN DAMPER BAR ASS'Y YV-1600A	1 PC	
15	W5162081	Sustain Damper Cushion YV1600A	1 PC	
16	W5110891	DAMPER ARM ASS'Y (LEFT) YV-1600A	1 PC	

Model Name : YV-1605

Ref No.	Parts No.(ChangeNo.)	English Name	Minimum Delivery	Accept order or not
17	W5110901	DAMPER ARM RIGHT HIGH TONE YV-1600A	1 PC	
18	W5110980	DAMPER ROD (1) ASS'Y YV-1600	1 PC	
18-1	W5110990	DAMPER ROD MOUNTING SCREW YV-1600	1 PC	
18-2	W5127891	WING BOLT M6X10 YV2700	1 PC	
19	W5110870	DAMPER SPRING YV-1600	1 PC	
2	WR726200	Tone Bar Set(Accidental)Ass'y YV-1605	1 PC.	
2'	W5170409	MOTOR YVM-200 YV1600A/2700/2700G	1 PC	
2-1	WR139600	TONE BAR 34K F# YV-1605	1 PC.	
2-1'	VS262600	motor holder (without screw)	1 PC.	
2-10	WR141700	TONE BAR 55K D# YV-1605	1 PC.	
2-11	WR142000	TONE BAR 58K F# YV-1605	1 PC.	
2-12	WR142200	TONE BAR 60K G# YV-1605	1 PC.	
2-13	WR142400	TONE BAR 62K A# YV-1605	1 PC.	
2-14	WR142700	TONE BAR 65K C# YV-1605	1 PC.	
2-15	WR142900	TONE BAR 67K D# YV-1605	1 PC.	
2-2	WR139800	TONE BAR 36K G# YV-1605	1 PC.	
2-3	WR140000	TONE BAR 38K A# YV-1605	1 PC.	
2-4	WR140300	TONE BAR 41K C# YV-1605	1 PC.	
2-5	WR140500	TONE BAR 43K D# YV-1605	1 PC.	
2-6	WR140800	TONE BAR 46K F# YV-1605	1 PC.	
2-7	WR141000	TONE BAR 48K G# YV-1605	1 PC.	
2-8	WR141200	TONE BAR 50K A# YV-1605	1 PC.	
2-9	WR141500	TONE BAR 53K C# YV-1605	1 PC.	
20	W5110740	DAMPER SPRING STOPPER YV-1600	1 PC	
21	EQ335206	ROUND HEAD WOOD SCREW 3.5X20	1 PACK(6PC/PACK)	
22	W5111190	CENTER ROD YV-1600	1 PC	
23	W5167002	PEDAL ROD YV-3000A/1600A	1 PC	
23-1	W5165119	PEDAL BUSHING YV-3200	1 PC	
24	W5166003	PEDAL MOUNT YV1600A	1 PC	
24-1	W5111200	PEDAL ROD HOLDING SCREW M6X45 YV-1600	1 PC	
24-2	EV300066	SPRING WASHER 6.0MM	1 PACK(6PC/PACK)	
24-3	EV100600	HEXAGONAL NUT 6BS ZMC2-Y	1 PC.	
24-4	W5166004	PEDAL HOLDING PIN YV1600A,3000A	1 PC	
25	W5112780	PEDAL STAY YV1600	1 PC	
26	W5111171	SUSTAIN DAMPER PEDAL ASS'Y YV1600A	1 PC	
26-1	W5111180	PEDAL CUSHION YV-1600	1 PC	
26-2	W5167005	PEDAL ROD PIN YV-3200A	1 PC	
27	W5166010	WASHER YV-2700	1 PC	
28	EQ335206	ROUND HEAD WOOD SCREW 3.5X20	1 PACK(6PC/PACK)	
3	W5110610	TONE BAR SUS.CORD(BRAIDED VINYLON)YV1600	1 PC	

Model Name : YV-1605

Ref No.	Parts No.(ChangeNo.)	English Name	Minimum Delivery	Accept order or not
3'	W5170200	CONTROLLER UNIT YV3600A--1600A	1 PC	
3-1'	W5170210	CONTROLLER KNOB YV3600AJ-1600AJ	1 PC	
3-2'	VS263600	CONTROLLER PANEL YVM100 YVM200	1 PC	
3-3'	VT953600	VR 75MM B10K	1 PC	
30	EJ340106	PAN HEAD TAPPING SCREW B 4.0X10 FCRM3-BL	1 PACK(6PC/PACK)	
31	W5127691	WING BOLT M8X18 YV1600A	1 PC.	
32	EB330046	FLAT HEAD SCREW(ST) 3X4	1 PACK(6PC/PACK)	
33	EV303306	SPRING WASHER 3.0MM	1 PACK(6PC/PACK)	
34	EA330046	PAN HEAD SCREW 3.0X4(ST)	1 BAG	
35	EP331166	FLAT HEAD WOOD SCREW(ST)3.1X16	1 PACK(6PC/PACK)	
36	W5110400	RUBBER INSULATOR A YG50.150.50B.250B	10 PC	
37	VS262601	Bearing holder Screw(with spring washer)	1 PC	
4	W5110010	CODE TENSION SPRING (L) YT,YV	1 PC.	
4'	W5172200	8P-DIN CABLE L=220 YV3600A--1600A	1 PC	
5	W5183001	FRAME ASS'Y YV1600A	1 PC	
5'	W5172242	BATTERY CASE SET YV3200AJ-1600AJ	1 SET	Discontinued.
5-1	W5183107	RESONATOR MOUNT YV3700	1 PC	
5-1'	W5172222	BATTERY CASE HOLDER 1600AJ	1 PC	
5-10	W5131710	MOTOR ASSY MOUNTING RUBBER YT.YV(B.C)	1 PC	
5-11	W5111251	MOTOR MOUNTING PLATE YV1600A	1 PC	
5-12	EQ335256	ROUND HEAD WOOD SCREW 3.5X25	1 PACK(6PC/PACK)	
5-13	W5180110	WING BOLT YV1500	1 PC	
5-14	W0376304	NUT MBL32	1 PC	
5-15	EV203066	PLAIN WASHER 6.0MM	1 PACK(6PC/PACK)	
5-2	EQ335256	ROUND HEAD WOOD SCREW 3.5X25	1 PACK(6PC/PACK)	
5-2'	W5172210	BATTERY CASE YV3600AJ-1600AJ	1 PC	
5-3	W5110650	TONE BAR SUSPENSION POST (I) YM-2400	1 PC	
5-3'	W5172230	BATTERY CABLE YV3600AJ-1600AJ	1 PC	Discontinued.
5-4	W5110660	TONE BAR SUSPENSION POST K YV1600AJ	1 PC	
5-5	W5130710	RUBBER INSULATOR 10X14 YT300D.600D	10 PC	
5-6	W5110680	RAIL CRAMP (2) YV-1600	1 PC	
5-7	W5110711	LEG MOUNT YV-1600A	1 PC	
5-8	EP351502	FLAT HEAD WOOD SCREW 5.1X50	1 PACK(2PC/PACK)	
5-9	W5111231	MOTOR MOUNTING PLATE YV-1600A	1 PC	
6	W5170400	YVM-200 ASS'Y YV1600A/3000A	1 PC	
6'	W5180286	ADAPTER PA-3C PSR290	1 PC	
6-1	W5172200	8P-DIN CABLE L=220 YV3600A--1600A	1 PC	
6-2	W5170420	LEG ASS'Y YV1600A,3700	1 PC	
6-3	EQ335166	ROUND HEAD WOOD SCREW 3.5X16	1 BAG	
7	W5170440	CONTROLLER MOUNTING PLATE YV3000A	1 PC	

