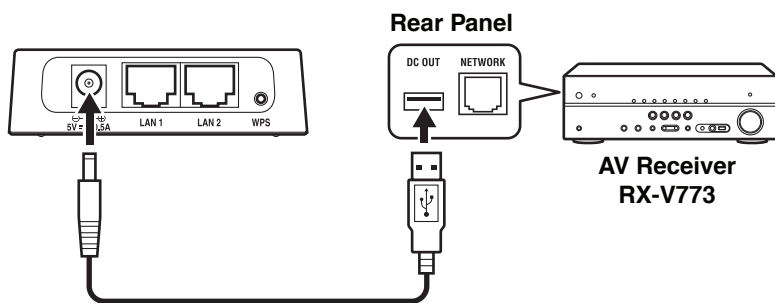


The YWA-10 Wireless Network Adapter can be used to connect the RX-V773 to a wireless home network. This Quick Setup Guide walks you through using Wi-Fi Protected Setup (WPS) to automatically configure the YWA-10 to your home network. If your wireless router does not support WPS or you need additional help, please refer to the YWA-10 Owner's Manual or visit <http://4wrd.it/YWAHELP>

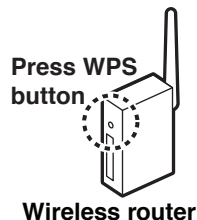
1. Connecting the YWA-10 to the RX-V773

- Connect the supplied USB power cable to the YWA-10 and the RX-V773 back panel DC OUT 5V-0.5A USB power port.
- Power ON the RX-V773 and **wait for one minute** after the green power light on the YWA-10 is lit, then proceed to step 2.



2. Connecting the YWA-10 to your wireless network

- Press the WPS button on your wireless router.
- Press and hold down the WPS button on the rear of the YWA-10 for 10 seconds or until the WPS indicator light turns solid.



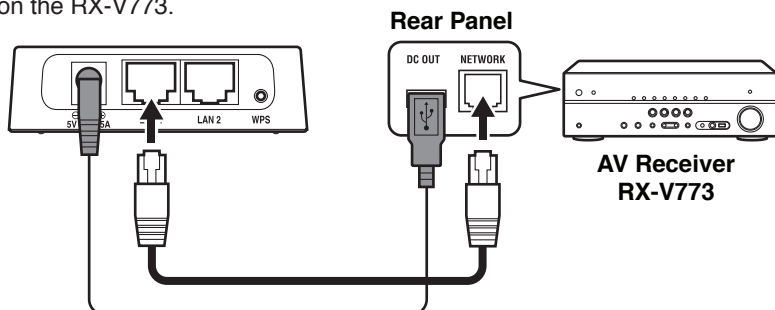
Press and hold for 10 seconds or until the WPS light turns solid.



- Remove your finger from the WPS button and wait for the WPS light to go out. This can take up to 2 minutes.

Note: If the WPS indicator blinks, disconnect power of the YWA-10 and start over at Step 1.

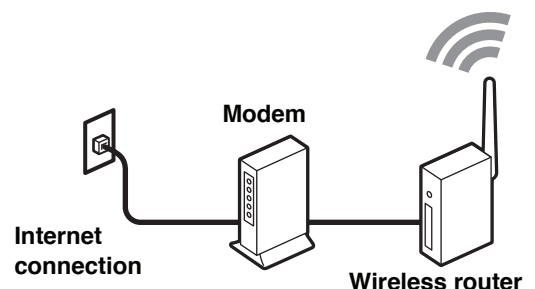
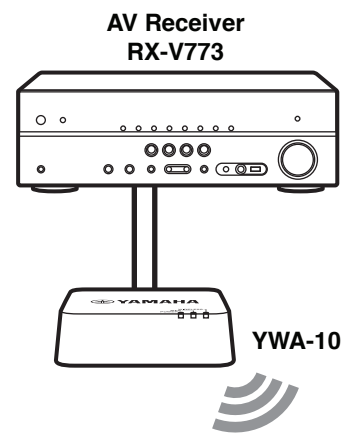
- Connect the supplied Network cable from the YWA-10 to the Network port on the RX-V773.



3. Checking Network Connectivity

Once the YWA-10 is connected to the RX-V773, you can test internet connectivity by going to the Net Radio input and selecting a station.

- Press the Net button on the receiver remote repeatedly until Net Radio is displayed.
- If the On-Screen Display shows Bookmarks, Locations, Genres, etc. you are successfully connected to the internet.



Notes:

If your wireless router does not support WPS or if you need additional help, please refer to the YWA-10 Owner's Manual or visit <http://4wrd.it/YWAHELP>



The Wi-Fi CERTIFIED Logo is a certification mark of the Wi-Fi Alliance.
The Wi-Fi Protected Setup Mark is a mark of the Wi-Fi Alliance.