

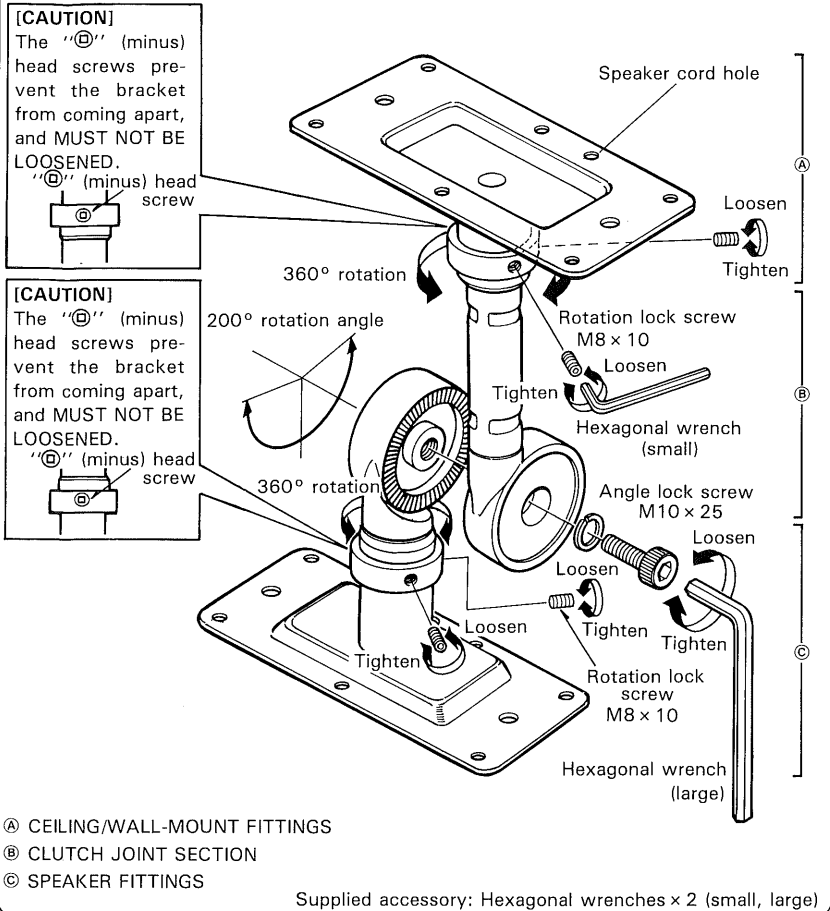
# CEILING/WALL-MOUNT SPEAKER BRACKET BWS50-190/260/320 INSTALLATION INSTRUCTION

Thank you for choosing a Yamaha Ceiling/Wall-mount Speaker Bracket. Please read this manual carefully before installing the speaker bracket, and store it in a safe place for later reference.

## PRECAUTIONS

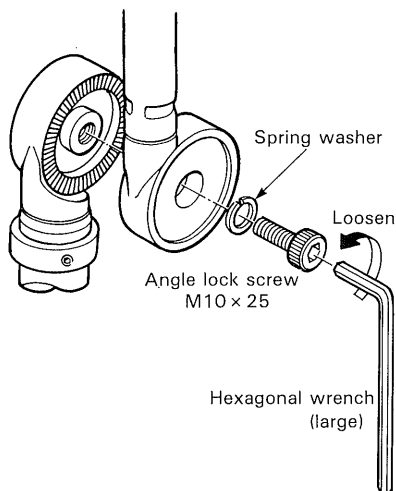
- This speaker bracket can ONLY be used with speakers that weigh less than 20 kilograms.
- Make sure that mounting surface (wall or ceiling) can fully support the combined weight of the speaker and bracket before installation.
- Make sure that the bolts, nuts and washers used for installation are securely tightened so that the speaker and bracket cannot move. Check for safety one more time AFTER installation.
- Be sure to loosen the appropriate hexagonal bolt or screws when adjusting speaker angle or direction. The "⊖" (minus) head screws prevent the bracket assembly from coming apart, and must NOT be loosened when making adjustments.
- The manufacturer accepts no liability for injury or damage resulting from improper installation or use of this product.

## CONSTRUCTION DIAGRAM



## INSTALLATION PROCEDURE

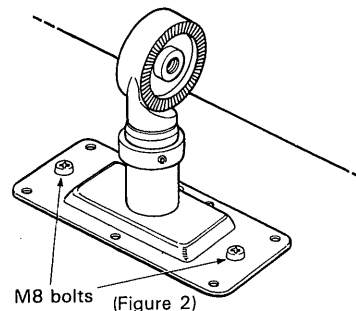
1



(Figure 1)

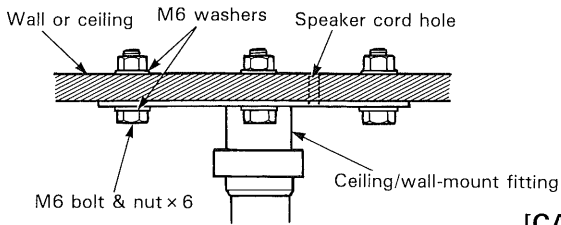
Remove the angle lock screw using the supplied hexagonal wrench (large), and separate the ceiling/wall-mount and speaker fittings. Be careful not to lose the spring washer which is on the angle lock screw (Figure 1).

2



Securely attach the speaker fitting to the speaker fitting using either two M8 bolts or six M6 bolts (Figure 2).

3

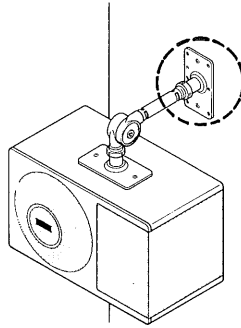


(Figure 4)

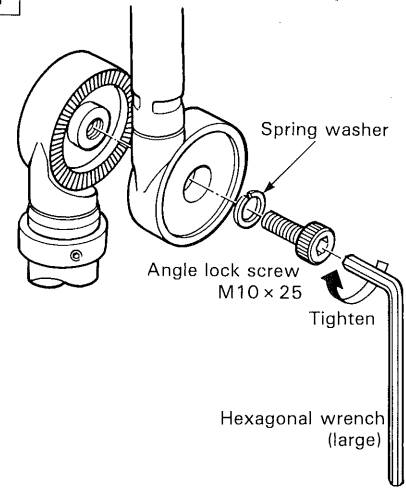
Attach the ceiling/wall-mount fitting to a sufficiently strong wall or ceiling panel using 6 M6 bolts, 6 M6 nuts and 12 M6 washers. Be sure to tighten all bolts securely (Figure 4). Make absolutely sure that the wall or ceiling panel to which the speaker is to be attached has sufficient strength to support the combined weight of the speaker and bracket. If the speaker cable is to be run behind the wall or ceiling, thread it through the speaker cord hole provided in the fitting.

**[CAUTION]**

When using the bracket for wall mounting, be sure to attach the wall-mount fitting vertically, as shown in the diagram below.



4



(Figure 5)

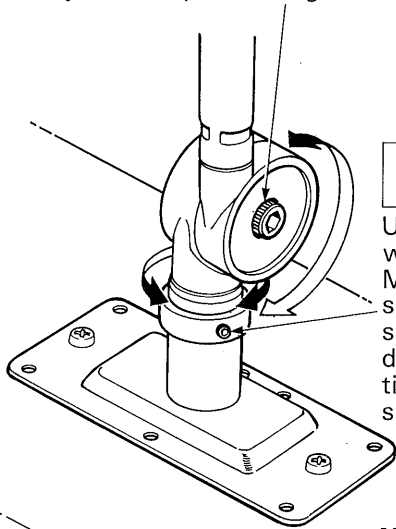
Align the two parts of the clutch joint section, and install the angle lock screw and washer securely. Make sure that the serrations on one half of the clutch mesh neatly with those on the other (Figure 5).

**SPEAKER ANGLE & DIRECTION ADJUSTMENT****SPEAKER ANGLE ADJUSTMENT**

Using the large hexagonal wrench, loosen the M10×25 angle lock screw by two or three turns, then set the speaker to the desired angle (minimum adjustment angle is 6°). Re-tighten the angle lock screw.

**[CAUTION]**

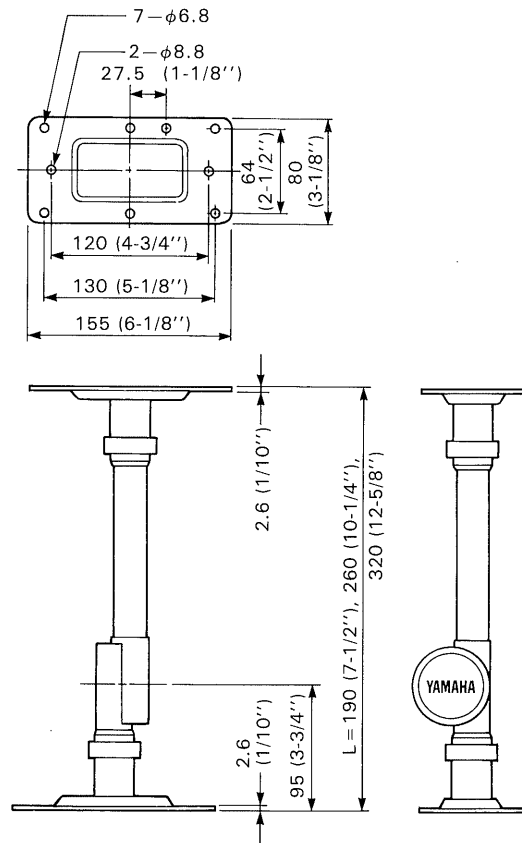
Loosening the angle lock screw too much can cause the clutch section to separate. Always loosen the screw the minimum amount required to adjust the speaker angle.

**SPEAKER DIRECTION ADJUSTMENT**

Using the small hexagonal wrench, loosen the two M8×10 rotation lock screws, then rotate the speaker until it faces in the desired direction. Re-tighten the rotation lock screws.

**[CAUTION]**

The "⊖" (minus) head screws prevent the bracket from coming apart, and **MUST NOT BE LOOSENED.**

**DIMENSIONS**

WEIGHT BWS50-190 : 1.2kg (2 lbs. 10oz.)  
BWS50-260 : 1.4kg (3 lbs. 1oz.)  
BWS50-320 : 1.5kg (3 lbs. 5oz.)

Units : mm (Inch)

YAMAHA CORPORATION

Pro Audio Division, #18/3

P.O.Box3,Hamamatsu,430-8651,Japan

**YAMAHA**

Printed in Japan