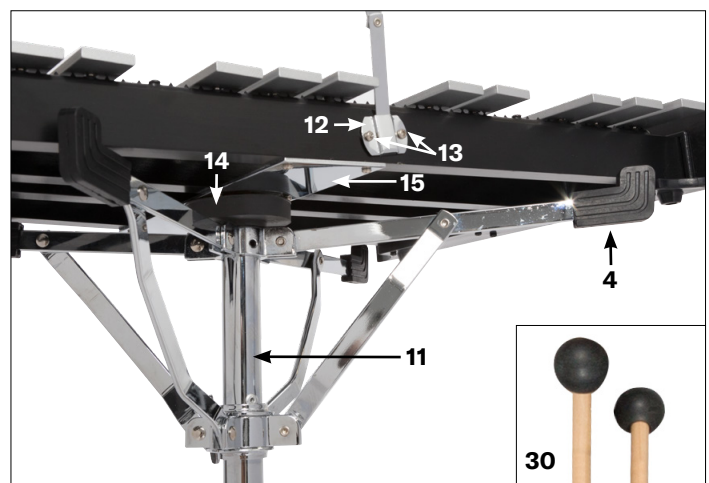
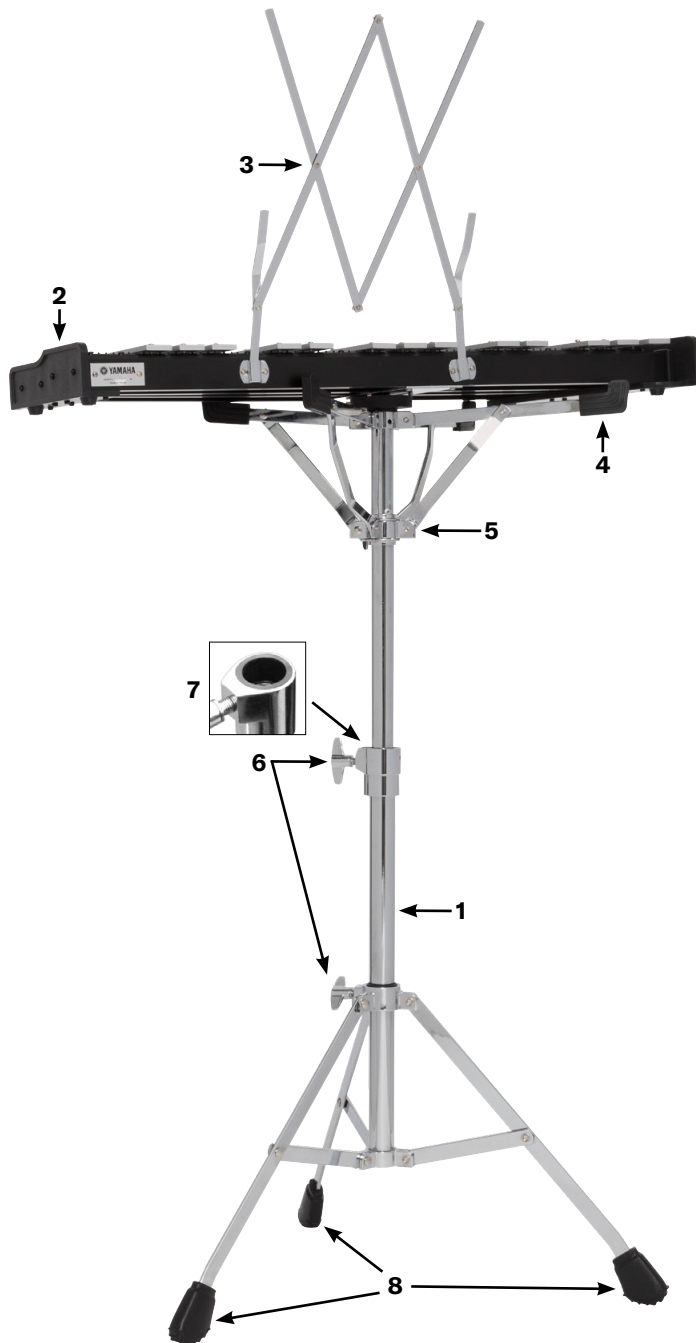


STUDENT PERCUSSION COMPONENTS



STUDENT BELL KITS: SBK-350, SPK-285, SPK-285R



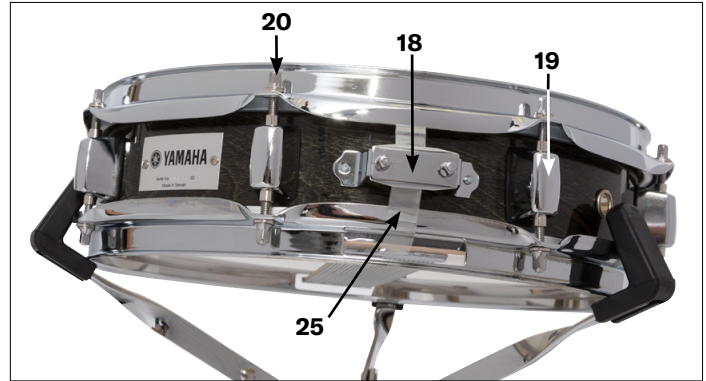
Ref. #	Part #	Description
1	PSS-SCK350L	Stand base (for snare and bells)
2	SPB-35	34-Note keyboard
3	MR-35	Music rack
4	PA-SCK350BRS	Rubber sleeve
5	PATS-Y01	Die-cast wing screws (top stand)
6	PATS-Y02	Die-cast wing screws (bottom stand)
7	PA-SPSS35NB	Nylon insert for bells and snare stand base
8	PA-SCK350RF	Rubber feet (each)
9	P-SK-ANT-002	Note name stickers (complete set)
10	PA-SCK350BRG	Black rubber grommet for bells
11	PSB-SCK350U	Bell stand top
12	PA-SCK350MRB	Music rack base
13	PA-MRB312	Screws for music rack base
14	PA-SCK350RC	Rubber cushion
15	PA-SCK350IB	Immobile board
30	SPM-35	Mallets
33*	SPBB-285	SPK-285 Bell Bag
34*	SC-285	Rolling cart

*See back page for image

STUDENT PERCUSSION COMPONENTS



TOTAL PERCUSSION KITS: SCK-350, SCK-285R



Ref. #	Part #	Description
1	PSS-SCK350L	Stand base (for snare and bells)
6	PATS-Y02	Die-cast wing screws (bottom stand)
7	PA-SPSS35NB	Nylon insert for bells and snare stand base
8	PA-SCK350RF	Rubber feet (each)
16	PHS-SCK350B	Drumhead - batter side
17	PHS-SCK350S	Drumhead - snare side
18	PDSB-SCK350	Snare strainer assembly - butt side
19	PDSL-SCK350	Lug casting
20	PATS-4F-YCJ	Tension rod with washer (7 x 27 mm)
21	PSS-SCK350U	Snare stand top
22	PA-SCK350IM	Internal muffler
23	PDSM-SCK350	Snare strainer assembly - release side
24	PA-SCK350RS	Rubber sleeve
25	PA-SCK350SST	Snare strap
26	PDSW-SCK350	Snappy snare
27	PA-SCK350BSW	Bolt and spring
28	PKT313-8C350-YCJ	Drum hoop - batter side
29	PKS313-8C350-YCJ	Drum hoop - snare side
31	SPP-35	Tunable pad
32	SPS-35	Drumsticks
33	SPBB-285	SPK-285 Bell bag
34	SC-285	Rolling cart
35	SPSB-285	Snare bag
36	SBK-350	SBK-350 Combo Kit bag