



English

Français

Compact Disc Player
Lecteur Compact Disc

CD-S303

EN Owner's Manual

FR Mode d'emploi

PRECAUTIONS

Please read these precautions carefully before proceeding.

Be sure to follow the instructions

Please carefully read and observe the following precautions to avoid harm to people or damage to your personal property.

After reading this document thoroughly, please retain it in a location that anyone using the product can access at any time.

- Contact the following customer center for inspection or repair.
 - The store you purchased the product
 - Yamaha dealer
- This product is intended for use as a general household device. Do not use it in any field or activity requiring a high degree of reliability in relation to human lives or valuable assets.
- Please note that Yamaha cannot accept any liability for any losses resulting from improper use or unauthorized modification of the product.



WARNING

These precautions alert you to the possibility of death or serious injury to yourself or others.

If you notice any abnormality

- If any of the following abnormalities occur, immediately shut down the power.
 - The power cord or plug becomes damaged.
 - Unusual smells, noise or smoke are emitted from the product.
 - An object or some water has been dropped into the product.
 - Cracks or other damage appear on the product.
 - There is a sudden loss of sound during use of the product.

Follow the steps below to shut down the power.

- Turn off the power to this product.
- Disconnect the power cord plug from the AC outlet.

Continuing to use the product as-is may result in fire, electrical shock or damage to the product. Request inspection or repair immediately.

Power supply

- Do not damage the power cord.
 - Do not place the power cord near heat sources such as heaters.
 - Do not forcefully bend or modify the power cord.
 - Do not damage the power cord.

- Do not place heavy objects on the power cord.

- Do not staple the power cord.

Using a frayed power cord with the core wire exposed may result in fire, electrical shock or damage to the product.

- During lightning or electrical storms, do not touch this product, power plug or power cord. Otherwise, electrical shock may be caused.
- Use the voltage specified for this product. Using an incorrect voltage may result in fire, electrical shock or damage to the product.
- Be sure to use only the item listed below to supply power:
 - Included power cordOtherwise, fire, burns or damage to the product may be caused.
- Do not use the following Included accessory with other devices.
 - Power cordOtherwise, fire, burns or damage to the product may be caused.
- Check the power cord plug periodically and remove any dirt or dust that may have accumulated. Otherwise, fire or electrical shock may be caused.
- Be sure to fully insert the power cord plug into an AC outlet. Otherwise, electrical shock, or fire or damage to the product due to short circuit may be caused.
- Insert the power cord plug into the AC outlet that is visible and easily accessible. If some trouble or malfunction occurs, you should be able to immediately disconnect the plug from the AC outlet easily. Even when the

power switch is turned off, as long as the power cord is not unplugged from the wall AC outlet, the product is not disconnected from the power source completely.

- If you plan not to use the product for a long period of time, remove the power cord plug from the AC outlets.

Otherwise, fire or damage to the product may be caused.

Do not disassemble

- Do not modify or disassemble this product. Otherwise, fire, electrical shock, injury or damage to the product may be caused.

Water warning

- Do not use this product in damp or wet conditions, such as a bathroom or rainy outdoor location.
- Do not place on this product any containers (such as vases or medicine bottles) that contain liquids.

If liquid spills into the product, fire, electrical shock or damage to the product may be caused.

- Do not insert the power cord plug into or remove it from the AC outlet with wet hands. Do not handle this product with wet hands. Otherwise, electrical shock or damage to the product may be caused.

Fire warning

- Do not handle open flames near this product. Otherwise, fire may be caused.

Vision loss

- Do not look into the laser beam.
If the laser beam hits your eyes, vision loss may be caused.

Handling

- Do not drop this product or apply any strong impact to the product.
Otherwise, fire, electrical shock or damage to the product may be caused.

Batteries

- Do not swallow batteries.
- Keep batteries away from children.

Otherwise, they may swallow the batteries by accident. Leaking battery liquid may cause loss of vision or inflammation. If the battery case on this product is not completely sealed, stop using the product and keep it away from children. If someone has swallowed a battery by accident, consult a physician immediately. If a battery is swallowed, it can cause serious chemical burns or melting of body tissue within two hours, leading to possible death.

- Do not throw batteries into an open fire.
- Do not expose batteries to high temperatures, such as direct sunlight or an open fire.

Otherwise, they may explode, resulting in fire or injury.

- If battery liquid is leaking, do not touch the liquid.

Otherwise, loss of vision or chemical burns may be caused. If you touch the battery liquid, wash it away with water immediately, and consult a physician.

- Do not use batteries other than the specified type.
- Do not use old and new batteries together.
- Do not use different types of batteries together.
- Do not insert batteries in an orientation opposite from the polarity indication.
- Do not break down the battery.
- Do not charge non-rechargeable dry cell batteries.

Otherwise, they may explode or battery liquid may leak, resulting in fires, burns, loss of vision, inflammation, or damage to the product. If you touch the battery liquid, wash it away with water immediately, and consult a physician.

- Do not carry the batteries in a pocket or bag or store them along with a piece of metal.
Otherwise, the batteries may short-circuit, leading to an explosion or leaking liquid, which could result in fires, loss of vision, or injuries.

- If you plan not to use the product for a long period of time, or if the batteries are completely discharged, remove them from the remote control.

Otherwise, battery liquid may leak, possibly resulting in loss of vision, inflammatory injury, or damage to the product.

- Before you store or discard the batteries, apply a piece of tape to the connectors to insulate them.

If the battery connectors come into contact with other batteries or metallic objects, they may explode or battery liquid may leak, possibly resulting in fire, burns, loss of vision, or inflammatory injury.



CAUTION

These precautions alert you to the possibility of physical injury to yourself or others.

Power supply

- If the power cord plug inserted into the AC outlet is wiggly or loose, do not use that outlet. Otherwise, fire, electrical shock or burns may be caused.
- When removing the power cord plug from the product or an outlet, always hold the plug itself and not the cord.
Otherwise, the power cord may be damaged, resulting in fire or electrical shock.

Installation

- Do not place this product in an unstable position or a location subject to vibration. Otherwise, the product may fall or tip over, resulting in injuries or damage to the product.
- Do not block the heat dissipation of this product when installing it.
 - Do not cover the product with a cloth or table cloth.
 - Do not install the product on a carpet or rug.
 - Make sure that the top surface faces up. Do not install the product on its sides or upside down.
 - Do not use the product in a confined, poorly-ventilated location.Inadequate ventilation may result in overheating inside the product, possibly causing damage and fire or malfunction.

Make sure that there is adequate space around the product at least 2.5 cm (1 in) above, 2.5 cm (1 in) at the sides and 2.5 cm (1 in) behind.

- During earthquakes, stay away from this product.
Otherwise, the product may fall or tip over, resulting in injuries.
- Before moving this product, be sure to turn off the power switch and remove all connected cables.
Otherwise, the cables might be caught by a foot or hand, and the product may fall or tip over, resulting in injuries or damage to the product.

Connections

- If you plan to connect external devices, first read the owner's manual for each device, and connect them in accordance with the instructions.
If you do not follow the instructions correctly, injury or damage to the product may be caused.

Hearing loss

- Do not expose yourself to high volume sound for an extended period of time. Otherwise, hearing loss may be caused. If you experience any hearing abnormality, consult a physician.
- If you plan to connect this product to any other devices, first turn off the power to all devices. Otherwise, hearing loss, electrical shock or damage to the product may be caused.
- When turning on the power to the audio system, always turn on the power to the power amplifier LAST. When turning off the power to the audio system, turn off the power to the power amplifier FIRST.

Otherwise, hearing loss or damage to the product may be caused.

Maintenance

- Before cleaning the product, be sure to remove the power cord plug from the AC outlet.
Otherwise, electrical shock may be caused.

Handling

- Do not insert your hands or fingers in any gaps or openings on this product.
Otherwise, injury may be caused.
- Do not drop a foreign object, such as a piece of metal or paper, into any gap on this product. Otherwise, fire, electrical shock or damage to the product may be caused.
- Do not apply the following excessive force to this product.
 - Resting your weight on this product
 - Placing heavy objects on this product
 - Stacking up this product
 - Applying excessive force to the buttons, switches, or I/O connectorsOtherwise, injury or damage to the product may be caused.
- Do not pull connected cables.
Otherwise, the product may fall or tip over, resulting in injuries or damage to the product.

Precautions for use

NOTICE

Follow the precautions below to avoid malfunction and damage to this product and to prevent the loss of data.

Power supply

- If you plan not to use this product for a long period of time, remove the power cord plug from the AC outlet. Even when [⏻] (Power) on the front panel is turned off, a small amount of current still flows through this product.

Installation

- Depending on the environment in which you use the product, a phone, radio or TV may generate noise. In that case, change the product location or orientation, or the surrounding environment.
- Do not install this product in a place subject to:
 - Direct sunlight
 - Extremely high or low temperatures
 - Excessive dustOtherwise, malfunction or damage to the product may be caused.
- Do not install this product in a place where condensation can form due to rapid, drastic changes in ambient temperature. Using the product while condensation is present may cause damage to the product. If there is a reason to believe that condensation might have occurred on or in this product, leave it for several hours without turning on the power. You can start using the product when the condensation has completely dried.

Handling

- Do not place any vinyl, plastic or rubber products on this product. Otherwise, the panel may be discolored or deteriorate.

Maintenance

- Use a dry, soft cloth to clean this product. Do not use benzine, thinner, detergent or chemical rag to clean the surface of the product. Otherwise, the surface may be discolored or deteriorate.

Important information

NOTE

This section describes precautions to be observed during use, functional restrictions, and supplemental information that may be helpful for you.

Disposal or transfer

- If you plan to transfer ownership of this product, include this document and the supplied accessories along with the product.
- Follow the rules of your local authority to dispose of this product and its accessories.
- Follow the rules of your local authority to dispose of used batteries.

COMPLIANCE INFORMATION STATEMENT (Supplier's declaration of conformity procedure)

Responsible Party : Yamaha Corporation of America
Address : 6600 Orangethorpe Ave.,
Buena Park, Calif. 90620

Telephone : 714-522-9011

Type of Equipment : Compact Disc Player
Model Name : CD-S303,CD-S303RK

This device complies with Part 15 of the FCC Rules. Operation is subject to the following two conditions:

- 1) this device may not cause harmful interference, and
- 2) this device must accept any interference received including interference that may cause undesired operation.

Product information, such as the model name (product number), manufacturing code (serial number), and power requirements, are displayed on or in the vicinity of the nameplate on the product (Rear panel). We recommend that you fill in the following space with the model name and serial number, and store this document in a safe place so that the information will help you identify your product in case you lose the product.

Model Name

Serial Number



WARNING

Use of controls or adjustments or performance of procedures other than those specified herein may result in hazardous radiation exposure.

FCC INFORMATION (U.S.A.)

1. **IMPORTANT NOTICE: DO NOT MODIFY THIS UNIT!**

This product, when installed as indicated in the instructions contained in this manual, meets FCC requirements. Modifications not expressly approved by Yamaha may void your authority, granted by the FCC, to use the product.

2. **IMPORTANT:** When connecting this product to accessories and/ or another product use only high quality shielded cables. Cable/s supplied with this product **MUST** be used. Follow all installation instructions. Failure to follow instructions could void your FCC authorization to use this product in the USA.

3. **NOTE:** This product has been tested and found to comply with the requirements listed in FCC Regulations, Part 15 for Class "B" digital devices. Compliance with these requirements provides a reasonable level of assurance that your use of this product in a residential environment will not result in harmful interference with other electronic devices. This equipment generates/uses radio frequencies and, if not installed and used according to the instructions found in the users manual, may cause interference harmful to the operation of other electronic devices. Compliance with FCC regulations does not guarantee that interference will not occur in all installations. If this product is found to be the source of interference, which can be determined by turning the unit "OFF" and "ON", please try to eliminate the problem by using one of the following measures:

- Relocate either this product or the device that is being affected by the interference.
- Utilize power outlets that are on different branch (circuit breaker or fuse) circuits or install AC line filter/s.
- In the case of radio or TV interference, relocate/reorient the antenna. If the antenna lead-in is 300 ohm ribbon lead, change the lead-in to co-axial type cable.

If these corrective measures do not produce satisfactory results, please contact the local retailer authorized to distribute this type of product. If you can not locate the appropriate retailer, please contact Yamaha Corporation of America, 6600 Orangethorpe Ave, Buena Park, CA90620, USA.

The above statements apply **ONLY** to those products distributed by Yamaha Corporation of America or its subsidiaries.

CONTENTS

BEFORE USING THE UNIT 8

Features 8

About this manual 8

Accessories 9

PREPARATION 10

Connecting to an amplifier 10

Connecting the power cord 10

Turning on the power 11

PLAYING AUDIO 12

Playing an audio CD 12

Playing music files stored on your USB flash drive 13

Advanced functions 14

Random-sequence playback 14

Repeat playback 14

Playing tracks in the specified order (Program playback) 14

Playing a specified part repeatedly (A-B Repeat playback) 15

Enjoying high-quality sound playback (PURE DIRECT) 15

Switching information on the display 15

Changing the display brightness 15

APPENDIX 16

Part names 16

Front panel 16

Display 17

Rear panel 17

Remote control 18

Advanced settings 19

Playback Mode Memory (PLAY MEM) 19

Ready Mode (RDY MODE) 19

Automatic Playback (AUTO PLAY) 19

Auto Power Standby (AUTO STBY) 19

Supported file formats/discs/USB flash drives 20

Specifications 21

Troubleshooting 22

BEFORE USING THE UNIT

Features

- Optical digital output
- Coaxial digital output
- Supports playback of CD-R and CD-RW discs
- Supports playback of files stored on USB flash drives or data CDs (MP3/WMA/AAC/WAV/FLAC)
- Random-sequence playback (page 14)
- Repeat playback (page 14)
- Program playback (audio CDs only) (page 14)
- A-B Repeat playback (audio CDs only) (page 15)
- PURE DIRECT function (page 15)
- Configurable display settings (items to be displayed/brightness) (page 15)
- Remote-controlled Standby On/Off
- Playback Mode Memory (page 19)
- Ready mode (page 19)
- Automatic Playback function (page 19)
- Auto Power Standby function (page 19)

About this manual

- This manual explains operations performed primarily on the supplied remote control.
- All illustrations in this manual are provided for the purpose of operational instruction.
- In this manual, a music CD is referred to as an audio CD, and a CD that contains MP3/WMA/AAC/WAV/FLAC data is referred to as a data CD.
- Specifications and appearance are subject to change without notice.



- **WARNING** is intended to alert you to the risk of death or serious injury.



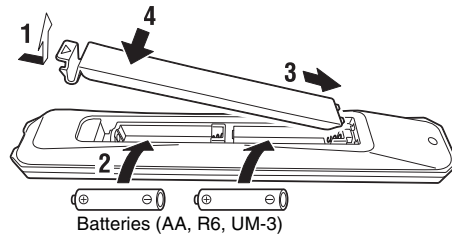
- **CAUTION** is intended to alert you to the risk of personal injury.
- **Notice** should be observed to avoid malfunction and damage to this product.
- **Note** provide supplemental information that might be handy.

Accessories

- Remote control
- Power cord
- RCA stereo cable
- Batteries (AA, R6, UM-3) (x2)
- Owner's Manual (this manual)

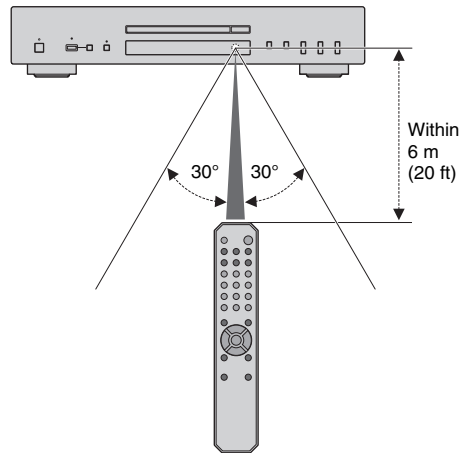
Inserting batteries into the remote control

Insert the batteries in the proper orientation.



Remote control operating range

Point the remote control toward the remote control sensor on the unit from within the range shown in the figure on the right.



PREPARATION

Connecting to an amplifier

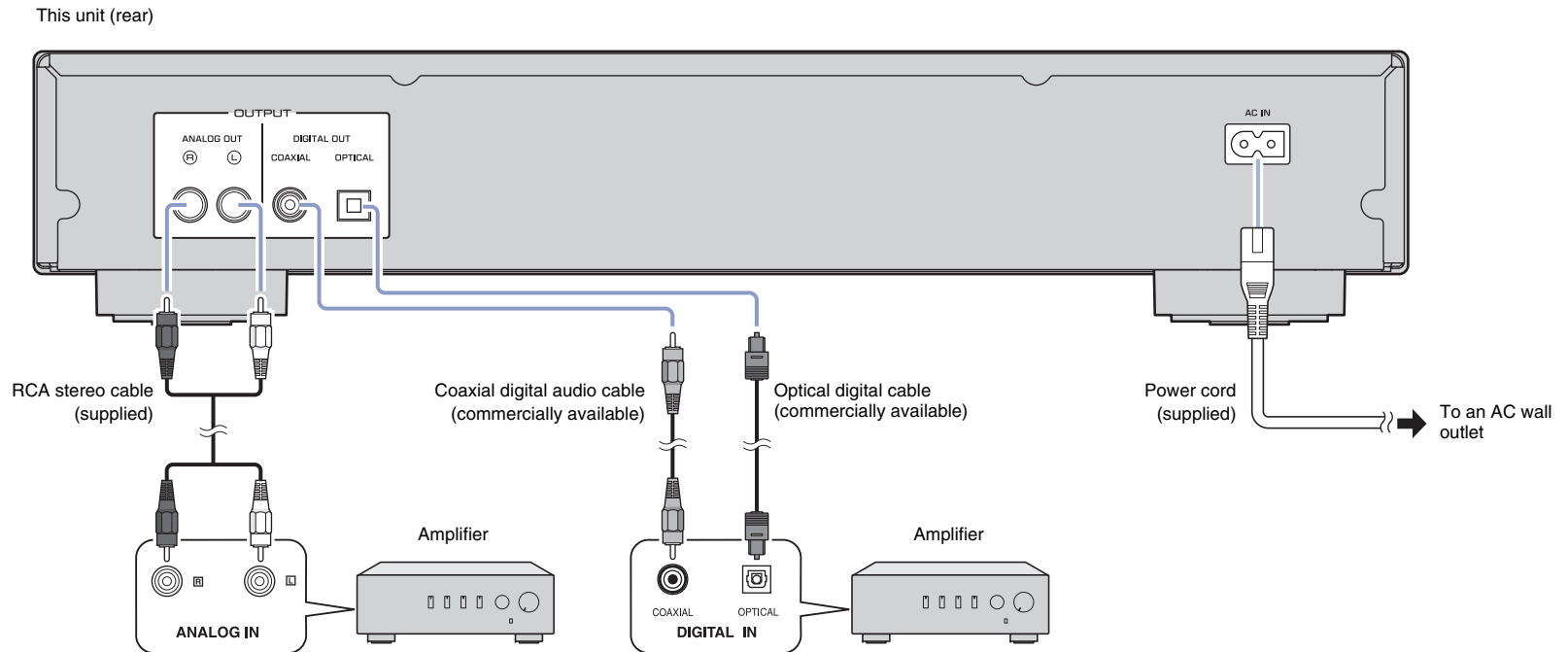


CAUTION


- Do not plug the power cord of this unit and other connected devices into AC outlets until all non-power connections are complete.

Connecting the power cord

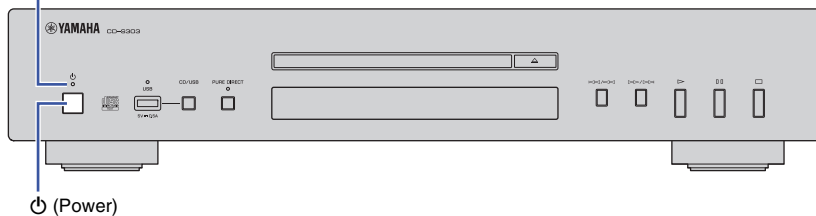
After all the connections are complete, connect the supplied power cord to the AC IN connector on this unit, and then plug the other end into an AC outlet.




Turning on the power

To turn on the power to the unit, press  (Power) on the front panel.

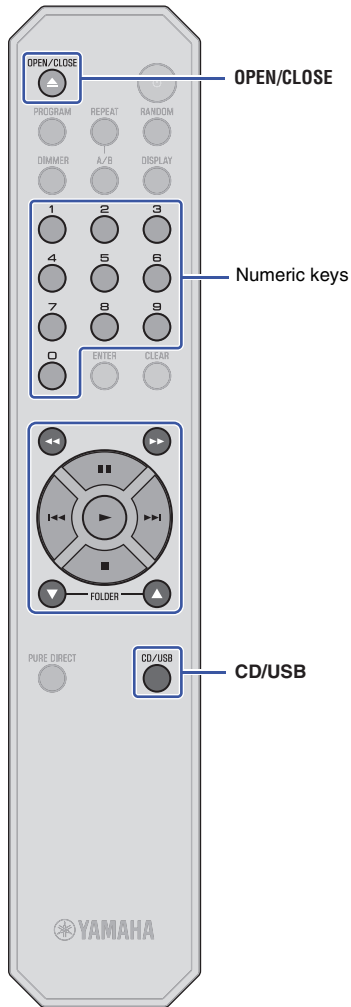
Power indicator



Note

- If you press  (Power) on the remote control while the power to the unit is on, the unit will enter Standby mode.
- The power indicator on the unit operates as follows:
 - Brightly lit: Power is on
 - Dimly lit: Standby mode
 - Off: Power is off
- This unit features an Auto Power Standby function that saves power consumption (page 19). (Default: Auto Power Standby On)

PLAYING AUDIO



Playing an audio CD

This unit enables you to play data CDs as well as audio CDs. For information on the type of CDs that can be played on this unit, please refer to “Supported file formats/discs/USB flash drives” (page 20).

1 If the USB indicator on the front panel is lit, press CD/USB to switch to Disc mode.

2 Place a CD on the disc tray.

Press OPEN/CLOSE repeatedly to open and close the disc tray.

Note

- You can also press (Open/Close) on the front panel repeatedly to open and close the disc tray.
- When the unit is ready to play an audio CD, the playback media indicator (CD) on the display lights up.

3 Press (Play).

The (Play) indicator on the display lights up and playback starts.

Note

- During audio file playback, the playback media indicator reflecting the file format lights up.

Notice

- Do not insert your hand or finger into the disc tray slot. Doing so might cause injury.

Note

- After you place a CD on the disc tray, the disc tray will close and playback will start if you perform one of the following operations:
 - Press (Play).
 - Press a numeric key that corresponds to a track number.
- You can configure the unit so that playback automatically starts when power to the unit is turned on or when you switch to Disc or USB mode (page 19). (Default: Automatic Playback On)

Use the following remote control keys to navigate the operation.

Available keys	Function
(Play)	The (Play) indicator on the display lights up and playback starts.
(Pause)	The (Pause) indicator on the display lights up and playback pauses. alternatively, press to resume playback.
(Stop)	Stops playback.
* (Search backward)*	Searches tracks backward.
* (Search forward)*	Searches tracks forward.
* (Skip backward)*	Skips back to the previous track. Skips back to the top of the current track if pressed during playback.
* (Skip forward)*	Skips to the next track.
Numeric keys	Enter a track number to directly select the corresponding track.
FOLDER , (Data CDs only)	Enable you to select a folder.

* The control buttons on the front panel function as follows:

(Skip backward/Search backward):

Skips back to the previous track. Skips back to the top of the current track if pressed during playback. It also searches tracks backward if you press and hold the button.

(Skip forward/Search forward):

Skips to the next track. It also searches tracks forward if you press and hold the button.

Playing music files stored on your USB flash drive

You can play music files (stored on your USB flash drive) on this unit. For information on the supported USB flash drives, please refer to "Supported file formats/discs/USB flash drives" (page 20).

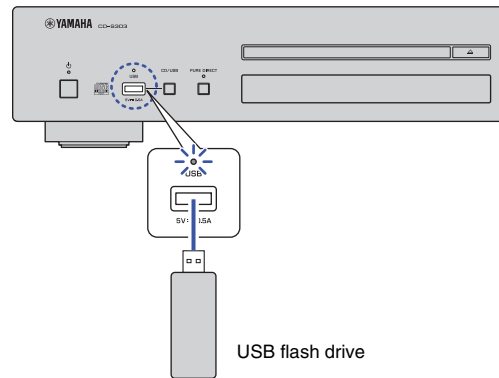
1 If the USB indicator on the front panel is off, press CD/USB to switch to USB mode.

The USB indicator on the front panel lights up orange.

2 Connect the USB flash drive to the USB jack.

When the unit is ready for playback, the playback media indicator (USB) on the display lights up, and the USB indicator on the front panel lights up green.

This unit (front panel)



Notice

- Do not use USB extension cables.

3 Press ► (Play).

The ► (Play) indicator on the display lights up and playback starts.

Note

- During audio file playback, the playback media indicator reflecting the file format lights up.
- If compatible music files are stored on your USB flash drive, the unit will play them in chronological order based on date of creation.

Notice

- Do not remove the USB flash drive during playback, or while the information display on the front panel is indicating "USB READING." In this case, first press CD/USB to switch to Disc mode, make sure that the USB indicator turns off, and then remove the flash drive.

Use the following remote control keys to navigate the operation.

Available keys	Function
► (Play)	The ► (Play) indicator on the display lights up and playback starts.
▬▬ (Pause)	The ▬▬ (Pause) indicator on the display lights up and playback pauses. ► alternatively, press ▬▬ to resume playback.
■ (Stop)	Stops playback.
◀◀ (Search backward)*	Searches tracks backward.
▶▶ (Search forward)*	Searches tracks forward.
◀◀ (Skip backward)*	Skips back to the previous track. Skips back to the top of the current track if pressed during playback.
▶▶ (Skip forward)*	Skips to the next track.
FOLDER ▲, ▼	Enable you to select a folder.

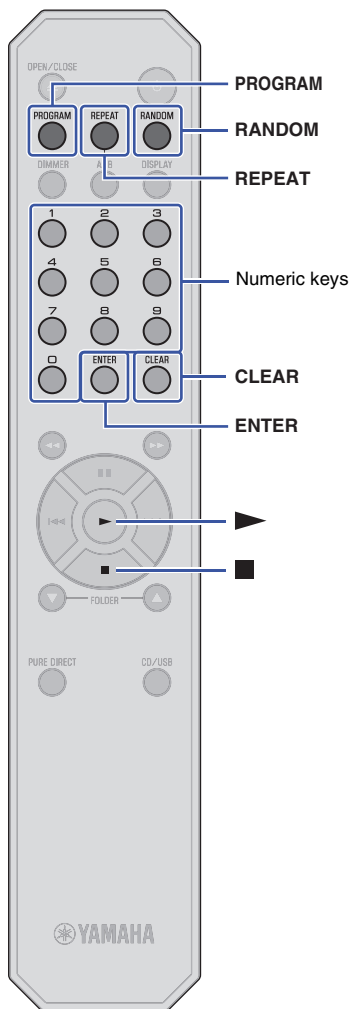
* The control buttons on the front panel function as follows:

◀◀ / ◀◀ (Skip backward/Search backward):

Skips back to the previous track. Skips back to the top of the current track if pressed during playback. It also searches tracks backward if you press and hold the button.

▶▶ / ▶▶ (Skip forward/Search forward):

Skips to the next track. It also searches tracks forward if you press and hold the button.



Advanced functions

You can configure playback mode and display settings using advanced functions.

Random-sequence playback

Press RANDOM to play tracks in random order. Pressing RANDOM repeatedly will change the Random-sequence playback setting as follows:

Indicator	Setting
RNDM	Plays all tracks in random order.
Off	Turns off Random-sequence playback.

Note

- To cancel Random-sequence playback, open the disc tray.

Repeat playback

Press REPEAT to play tracks repeatedly. Pressing REPEAT repeatedly will change the Repeat playback setting as follows:

Indicator	Setting
REP	Plays one track repeatedly.
REP FOLDER (Data CDs and USB flash drives only)	Plays tracks in the current folder repeatedly.
REP ALL	Plays all tracks repeatedly.
Off	Turns off Repeat playback.

Note

- To cancel Repeat playback, open the disc tray.

Playing tracks in the specified order (Program playback)

You can play audio CD tracks in the specified order.

1 Press PROGRAM while playback is stopped.



2 Use the numeric keys to enter the track number of a song you want to program.



3 Press ENTER.

Repeat steps 2 and 3 to program each track.

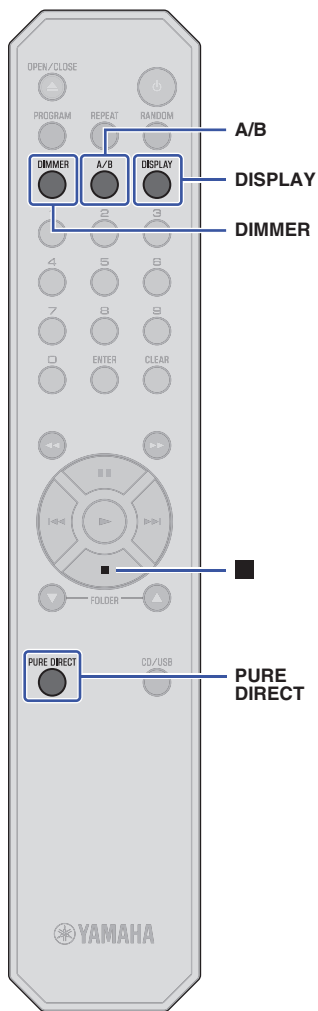
Press CLEAR to cancel each programmed track starting with the last track you programmed.

4 Press ► (Play).

The unit starts to play the tracks in the programmed order.

Note

- Program playback does not work with data CDs or USB flash drives.
- You can program up to 24 tracks.
- Do one of the following to clear all programmed tracks:
 - Press CLEAR while Program playback is stopped.
 - Turn off the power to the unit or set the unit in Standby mode.
 - Open the disc tray.



Playing a specified part repeatedly (A-B Repeat playback)

You can specify the start and end points of a track during audio CD playback to play the specified part repeatedly.

- 1 Play an audio CD.
- 2 Press A/B at the point you want to start Repeat playback.



- 3 Press A/B again at the point you want to end Repeat playback.

The unit starts Repeat playback.



Note

- Repeat playback does not work with data CDs or USB flash drives.
- You cannot specify the A-B Repeat setting when the PURE DIRECT function is turned on.
- Do one of the following to cancel A-B Repeat playback:
 - Press A/B again.
 - Press ■ (Stop).
 - Open the disc tray.

Enjoying high-quality sound playback (PURE DIRECT)

If the PURE DIRECT function is turned on, digital audio will not be output. In this way, the PURE DIRECT function reduces noise that would affect sound quality, enabling you to enjoy playback of high-quality sound.

Pressing PURE DIRECT repeatedly will toggle between PURE DIRECT on and off.

Note

- To use the PURE DIRECT function, connect the ANALOG OUT jacks on the rear panel to the amplifier. The DIGITAL OUT jacks will not output any signals.
- When the PURE DIRECT function is turned on:
 - The PURE DIRECT indicator lights up.
 - The front panel display will be turned off while content is playing.
 - Only a minimum number of indicators and messages will appear while you are operating the unit.
 - This setting will be maintained after you turn off the power to the unit.

Switching information on the display

Pressing DISPLAY repeatedly during playback will switch the information on the display as follows:

Playback media	Information on the display
Audio CD	Elapsed time → Remaining time of the current track (TRACK REMAIN) → Total remaining time on the CD (TOTAL REMAIN) → Track name* → Artist name* → Album title* * If CD-text has been embedded
Data CD, USB flash drive	Elapsed time → Track name* → Artist name* → Album title* * If tags have been embedded

Note

- The information display indicates up to 64 characters (1-byte alphanumeric characters and several symbols).

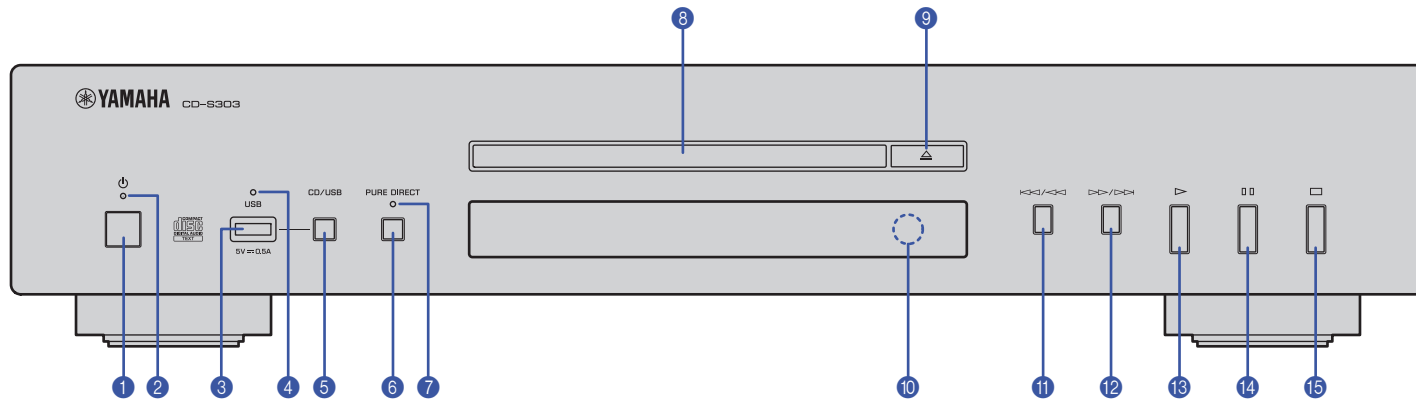
Changing the display brightness

Press DIMMER repeatedly to switch between four stages of display brightness.

APPENDIX

Part names

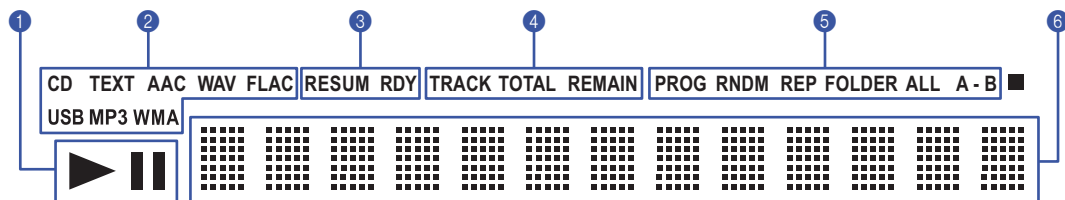
Front panel



- ❶ ⏻ (Power) (page 11)
- ❷ 🔦 Power indicator (page 11)
- ❸ USB jack (page 13)
- ❹ 🔦 USB indicator (page 13)
- ❺ CD/USB (pages 12, 13)
- ❻ PURE DIRECT (page 15)
- ❼ PURE DIRECT indicator (page 15)
- ❽ Disc tray (page 12)
- ❾ ⏏ (Open/Close) (page 12)

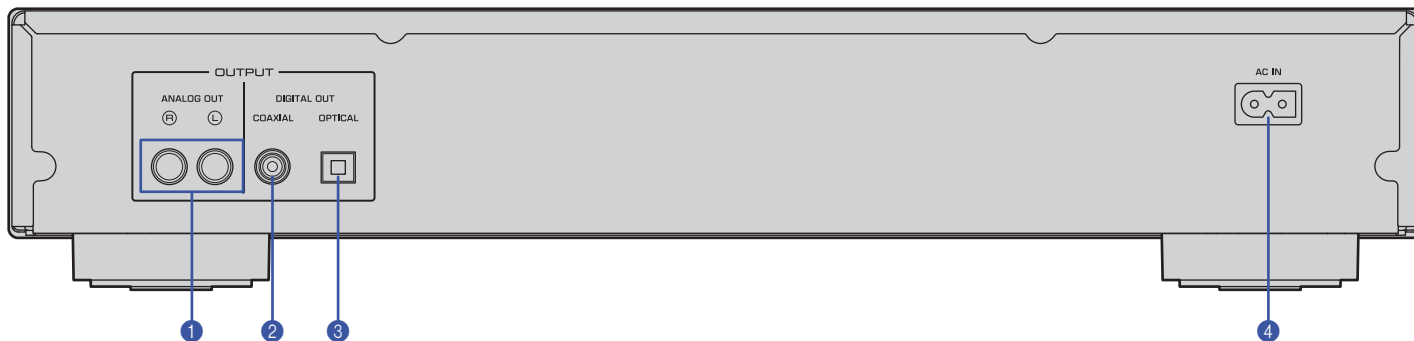
- ❿ 🔍 Remote control sensor (page 9)
- ⓫ ⏮/⏪ (Skip backward/Search backward) (pages 12, 13)
- ⓬ ⏩/⏭ (Skip forward/Search forward) (pages 12, 13)
- ⓭ ▶ (Play) (pages 12, 13, 14)
- ⓮ ⏸ (Pause) (pages 12, 13)
- ⓯ ⏹ (Stop) (pages 12, 13, 14, 15)

Display



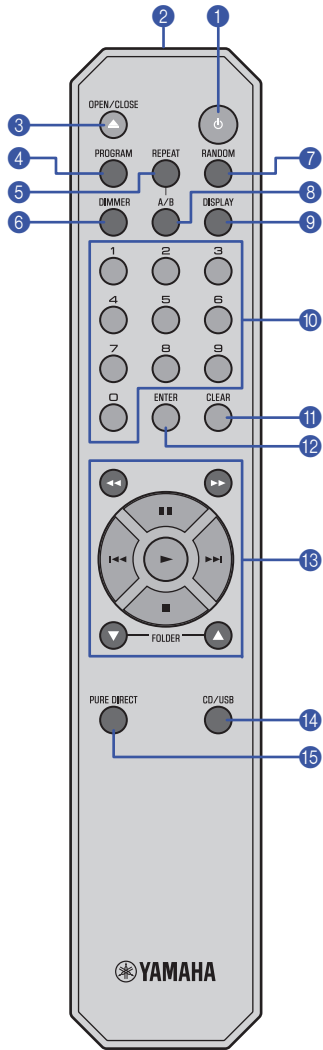
- 1 ▶ / || (Play/Pause) indicator (pages 12, 13)
- 2 Playback media indicator (pages 12, 13)
- 3 Advanced setting indicator (page 19)
- 4 Time indicator (page 15)
- 5 Playback mode indicator (pages 14, 15)
- 6 Information display (pages 14, 15, 19)

Rear panel



- 1 ANALOG OUT jacks (page 10)
- 2 DIGITAL OUT jack (COAXIAL) (page 10)
- 3 DIGITAL OUT jack (OPTICAL) (page 10)
- 4 AC IN connector (page 10)

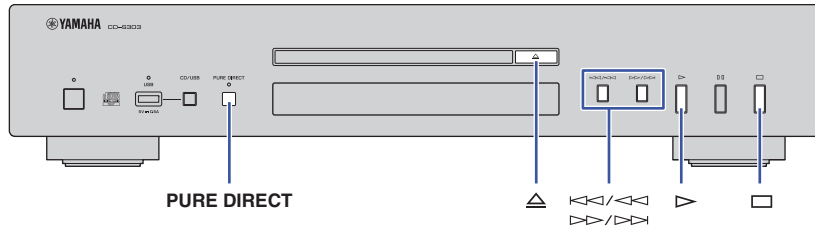
Remote control



- 1 (Power) (page 11)
- 2 Remote control signal transmitter (page 9)
- 3 OPEN/CLOSE (page 12)
- 4 PROGRAM (page 14)
- 5 REPEAT (page 14)
- 6 DIMMER (page 15)
- 7 RANDOM (page 14)
- 8 A/B (page 15)
- 9 DISPLAY (page 15)
- 10 Numeric keys (pages 12, 14)
- 11 CLEAR (page 14)
- 12 ENTER (page 14)
- 13 (Search backward), (Search forward) (pages 12, 13)
- (Pause) (pages 12, 13)
- (Skip backward) (pages 12, 13)
- (Skip forward) (pages 12, 13)
- (Play) (pages 12, 13, 14)
- (Stop) (pages 12, 13, 14, 15)
- FOLDER , (pages 12, 13)
- 14 CD/USB (pages 12, 13)
- 15 PURE DIRECT (page 15)

Advanced settings

This section explains how to configure various advanced functions. You can configure most of these settings from the front panel. (Some settings require remote control operation.)



- 1 Place the unit in Standby mode (page 11).
- 2 Press and hold **PURE DIRECT**, **△ (Open/Close)**, and **▷ (Play)**, simultaneously for three seconds or longer.

The following indicator appears on the information display of the front panel, and the unit enters setting mode. You can set the Playback Mode Memory, Ready Mode, Automatic Playback, and Auto Power Standby functions in this order.



- 3 Press **◀◀/◀◀** or **▶▶/▶▶** to turn the function on or off.
- 4 Press **□ (Stop)**.

The setting is confirmed, and the next parameter is automatically selected. Repeat steps 3 and 4. When all settings are complete, the following indicator appears on the information display of the front panel, and the unit enters Standby mode.



Note

- If you press **▷ (Play)** during this process, the setting at that point will be confirmed, and the unit will enter Standby mode.

Playback Mode Memory (PLAY MEM)

With this function enabled, the unit retains the Repeat playback and Random-sequence playback settings even after the power to the unit is turned off. When the Playback Mode Memory function is turned on, the Advanced setting indicator (RESUM) on the display lights up.

Default: Off

Note

- If you turn on the power to the unit after enabling the Playback Mode Memory function, the unit will play the most recently-played track or file from the beginning.

Ready Mode (RDY MODE)

With this function enabled, the unit pauses each time the playback of a track has completed. You can start playback of the next track when you choose. When the Ready Mode function is enabled, the Advanced setting indicator (RDY) on the display lights up.

Default: Off

Automatic Playback (AUTO PLAY)

With this function enabled, the unit automatically starts playback when power to the unit is turned on or when you switch to Disc or USB mode.

Default: On

Auto Power Standby (AUTO STBY)

With this function enabled, the unit automatically enters Standby mode if you do not interact with it for 20 minutes after the playback has stopped.

Default: On

Supported file formats/discs/USB flash drives

Supported file formats

File	Sampling frequency (kHz)	Bit depth (bit)	Bitrate (kbps)	Number of channels
MP3	32/44.1/48	—	32-320	2
WMA	32/44.1/48	—	48-192	2
AAC	32/44.1/48	—	8-320	2
WAV *	32/44.1/48/64/88.2/96	16/24	—	2
FLAC	32/44.1/48/64/88.2/96	16/24	—	2

* Linear PCM format only.

Note

- Files on a data CD or USB flash drive will be played in chronological order based on date of creation.
- This unit supports ISO9660 format discs.
- If the unit is playing a VBR (variable bitrate) file, an accurate elapsed time might not be displayed.
- Digital Rights Management (DRM) encoded content cannot be played back.

	Data CD	USB flash drive
Number of folder hierarchies (including the root folder)	9	9
Number of folders	999	999
Number of files	1100	65535

Supported discs

Please use discs with the following logos.



Compact discs (audio CDs)



CD-R and CD-RW discs

- Discs with one of the following descriptions:
 - FOR CONSUMER
 - FOR CONSUMER USE
 - FOR MUSIC USE ONLY
- For CD-R or CD-RW discs, the unit plays only the finalized discs.



Note

- This unit might not play some CD-R/CD-RW discs or discs that were improperly recorded.



CD-TEXT discs



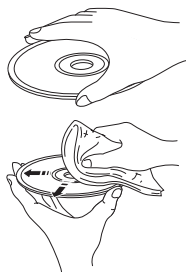
These discs contain embedded text information, such as album titles, song names, and artist names. This information (alphanumeric characters and some symbols only) along with the elapsed time will be displayed.

Notice

- Do not use odd-shaped discs or discs with tape or a decal attached. Otherwise, malfunction of the unit may occur.
- This unit might not play some CD-RW discs or discs that were improperly recorded.
- To play back an 8-cm CD, place it in the inner recessed area of the disc tray. Do not put a normal (12-cm) CD on top of an 8-cm CD.

□ Handling a disc

- Handle a disc carefully so as not to scratch the recorded surface. Do not bend a disc.
- If there are any fingerprints or dust on the recorded surface, use a soft cloth to wipe the surface straight from the center toward the perimeter.
- Never use a vinyl record cleaner, anti-static agent, or other chemical to wipe a disc.
- Use a soft-tip pen to write only on the label side.
- Do not leave a disc under the direct sunlight or in a location that is exposed to high temperature or humidity for a long period of time.
- Do not use a commercially-available lens cleaner. Otherwise, a malfunction may occur.



□ Supported USB flash drives

Before you use this unit to play music files stored on a USB flash drive, make sure that the following requirements are satisfied:

- The USB flash drive complies with mass storage class requirements.
- Data has been recorded using the FAT16 or FAT32 file system.

Notice

- Some USB flash drives may not operate properly.
- USB flash drives with encryption cannot be used.
- Yamaha and its dealers are not responsible for the loss of any data stored on a USB flash drive that is connected to this unit. We recommend that you keep backup data in case of loss of data.
- Yamaha will not guarantee the operation or power supply to any USB flash drives.

Specifications

The specifications of this unit are as follows.

Output jacks

- Analog audio x 1 (RCA Unbalanced)
- Digital audio
COAXIAL x 1, OPTICAL x 1

Other jacks

- USB x 1 (USB2.0)

Audio section

- Output Level (1 kHz, 0 dB, Fs 44.1 kHz) 2.0 ± 0.3 V
- S/N Ratio (IHF-A Network) (1 kHz, 0 dB, Fs 44.1 kHz) 105 dB or higher
- Dynamic Range (1 kHz, 0 dB, Fs 44.1 kHz) 96 dB or higher
- Harmonic Distortion (1 kHz, 0 dB, Fs 44.1 kHz) 0.003% or lower
- Frequency Response
Audio CD 2 Hz – 20 kHz
Data CD/USB Fs 48 kHz 2 Hz – 22 kHz
Fs 96 kHz 2 Hz – 44 kHz, –3 dB

Laser section

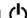
- Laser Type AlGaAs
- Wavelength 790 nm
- Laser Output Max. 1.04 mW

General

- Power Supply
U.S.A. and Canada models AC 120 V, 60 Hz
Australia model AC 230-240 V, 50 Hz
Europe and U.K. models AC 230 V, 50 Hz
Asia and General models AC 110-240 V, 50/60 Hz
China model AC 220 V, 50 Hz
- Power Consumption 11 W
- Standby Power Consumption
Power Standby (Standby mode) 0.2 W
Power Off 0.2 W
- Dimensions (W x H x D) 435 x 87 x 260 mm
(17-1/8" x 3-3/8" x 10-1/4")
- Weight 3.5 kg
(7.7 lb)

* The contents of this manual apply to the latest specifications as of the publishing date. To obtain the latest manual, access the Yamaha website then download the manual file.

Troubleshooting

Refer to the table below if the unit fails to function properly. If your problem is not listed below, or if the symptoms persist after you follow the instructions below, turn off the power to the unit by pressing  (Power) on the front panel, disconnect the power cord, and contact your nearest authorized Yamaha dealer or service center.

Problem	Cause	Solution	Page
Pressing the power switch does not turn the power on.	The power cord may not be properly plugged in.	Connect the power cord firmly to the AC outlet.	10
The disc tray does not close completely.	A foreign object is inside the disc tray enclosure.	Check the disc tray and remove any foreign object.	—
Unable to play the inserted disc.	The disc is scratched.	Change the disc.	—
	The lens inside the unit has condensation.	Turn on the power to the unit, wait 20 – 30 minutes, and then try to play the disc again.	—
	The disc is set upside down.	Be sure to place the disc with its label side up.	—
	The disc is dirty or scratched.	Wipe off the dirt from the disc surface, or use an unscratched disc.	21
	You tried to play files in a format that is not supported by the unit.	Be sure to use a disc that contains files in a format that is supported by the unit.	20
	You tried to play a disc that is not supported by the unit.	Be sure to use a disc that is supported by the unit.	20, 21
	The unit is in USB mode.	Press CD/USB to switch to Disc mode.	12, 16, 18
Playback does not start immediately or from the correct point.	The disc is dirty or scratched.	Wipe off the dirt from the disc surface, or use an unscratched disc.	21
Unable to play a music file stored on the USB flash drive.	The USB flash drive may not be properly connected to the unit.	Connect the USB flash drive properly.	13
	You tried to play files in a format that is not supported by the unit.	Be sure to use a USB flash drive that contains files in a format that is supported by the unit.	20
	The unit is in Disc mode.	Press CD/USB to switch to USB mode.	13, 16, 18
No sound	The unit is not connected to the amplifier properly.	Check the connection to the amplifier.	10
Audio is not output from the device connected to the DIGITAL OUT jacks.	The PURE DIRECT function is turned on.	Turn the PURE DIRECT function off.	15
The sound skips.	The unit is affected by vibration or impact.	Change the location of the unit.	—
	The disc is dirty or scratched.	Wipe off the dirt from the disc surface, or use an unscratched disc.	21

Problem	Cause	Solution	Page
Buzzing or hum noise is heard.	The RCA stereo cable is not connected firmly.	Connect the RCA stereo cable firmly. If the symptom does not improve, check to see whether the cable itself is defective.	10
Noise in the tuner	The unit is located close to the tuner.	Relocate the unit farther away from the tuner, or turn off the power to the unit.	—
The disc tray is making noise.	The disc is deformed.	Use a non-deformed disc.	—
No indication on the display	The PURE DIRECT function is turned on	Turn the PURE DIRECT function off.	15
No folder name or file name appears on the information display.	Characters other than one-byte alphanumeric are used for the folder or file name.	Use one-byte alphanumeric characters for the folder and file names.	15
The remote control does not work or function properly.	The batteries are weak.	Replace all batteries.	9
	Wrong distance or angle.	Use the remote control within the operative range.	9
	Direct sunlight or lighting (from an inverter type of fluorescent lamp, etc.) is striking the remote control sensor of this unit.	Reposition the orientation of the lighting or the unit.	—

PRÉCAUTIONS D'USAGE

Lisez attentivement ces consignes avant l'utilisation du produit.

Assurez-vous de suivre les instructions

Lisez attentivement et observez les précautions suivantes pour éviter les blessures corporelles et les dommages de biens personnels.

Après avoir lu ce document dans son intégralité, rangez-le dans un lieu accessible en permanence à tout utilisateur du produit.

- Pour tout travail d'inspection ou de réparation, adressez-vous à un des centres de service clientèle suivants.
 - Le point de vente où vous avez acheté le produit
 - Un revendeur Yamaha
- Ce produit est conçu pour une utilisation dans un cadre domestique conventionnel. Ne l'utilisez pas dans tout cadre ou pour toute activité requérant une haute fiabilité pour la gestion des gestes essentiels à la vie ou des biens de grande valeur.
- Notez que Yamaha décline toute responsabilité pour toute perte résultant d'une utilisation incorrecte ou d'une modification non agréée du produit.



AVERTISSEMENT

Ces consignes de sécurité attirent votre attention sur des risques de décès ou de blessures graves pour l'utilisateur ou des tiers.

En cas d'anomalie

- Si vous remarquez une des anomalies suivantes, coupez immédiatement l'alimentation.
 - Le cordon d'alimentation ou sa fiche est endommagé.
 - Le produit émet une odeur ou un bruit anormal, ou de la fumée.
 - Un objet ou de l'eau a pénétré à l'intérieur du produit.
 - Des fissures ou d'autres dommages sont visibles sur le produit.
 - Une brusque perte de son est survenue durant l'utilisation du produit.Suivez les étapes ci-dessous pour couper l'alimentation.
 - Mettez le produit hors tension.
 - Débranchez la fiche du cordon d'alimentation de la prise secteur.Continuer à utiliser le produit avec de telles anomalies peut causer un incendie, un choc électrique ou un endommagement du produit. Faites immédiatement inspecter ou réparer le produit.

Alimentation

- N'endommagez pas le cordon d'alimentation.
 - Ne placez pas le cordon d'alimentation à proximité de sources de chaleur telles que des appareils de chauffage.
 - Ne pliez pas le cordon d'alimentation avec une force excessive et ne le modifiez pas.
 - N'endommagez pas le cordon d'alimentation.
 - Ne posez pas d'objets lourds sur le cordon d'alimentation.
 - N'agrafez pas le cordon d'alimentation.L'utilisation d'un cordon d'alimentation effiloché dont les fils sont à nus peut causer un incendie, un choc électrique ou un endommagement du produit.
- Pendant un orage et en présence d'éclairs, ne touchez pas ce produit, ni son cordon et sa fiche d'alimentation.
Sinon, vous risquez un choc électrique.
- Utilisez la tension spécifiée pour ce produit.
L'utilisation d'une tension incorrecte peut provoquer un incendie, une électrocution ou endommager le produit.
- Utilisez exclusivement l'accessoire ci-dessous pour alimenter l'appareil :
 - Le cordon d'alimentation fourni
Sinon, vous risquez un incendie, des brûlures ou un endommagement du produit.
- N'utilisez pas l'accessoire fourni suivant avec tout autre dispositif.
 - le cordon d'alimentation
Sinon, vous risquez un incendie, des brûlures ou un endommagement du produit.

- Vérifiez régulièrement l'état de la fiche du cordon d'alimentation et dépoussiérez-la en prenant soin de retirer toutes les impuretés qui pourraient s'y accumuler.
Sinon, vous risquez un incendie ou un choc électrique.
- Veillez à insérer à fond la fiche du cordon d'alimentation dans la prise secteur.
Sinon, cela pourrait causer un court-circuit provoquant un choc électrique, un incendie ou un endommagement du produit.
- Insérez la fiche du cordon d'alimentation dans une prise secteur visible et facilement accessible.
En cas de problème ou de dysfonctionnement, vous devez être en mesure de débrancher immédiatement la fiche d'alimentation de la prise secteur. Même lorsque l'interrupteur d'alimentation est en position désactivée, l'appareil demeure connecté à la source d'électricité tant que le cordon d'alimentation reste branché à la prise secteur.
- Si vous ne comptez pas utiliser le produit pendant une période prolongée, débranchez la fiche de son cordon d'alimentation de la prise secteur.
Sinon, vous risquez un incendie ou un endommagement du produit.

Démontage interdit

- Ne modifiez et ne démontez pas ce produit.
Sinon, cela pourrait causer un incendie, un choc électrique, des blessures ou un endommagement du produit.

Avertissement relatif aux liquides

- N'utilisez pas ce produit dans un environnement humide, comme dans une salle de bain ou un endroit exposé à la pluie en extérieur.
- Ne posez pas de récipients (tels que des vases ou des flacons de médicaments) contenant des liquides sur ce produit.

La pénétration de tout liquide dans le produit pourrait causer un incendie, un choc électrique ou un endommagement du produit.

- Ne branchez jamais la fiche du cordon d'alimentation à la prise secteur et ne l'en débranchez jamais avec les mains mouillées.
Ne manipulez pas ce produit avec les mains mouillées.
Sinon, cela pourrait causer un choc électrique ou un endommagement du produit.

Avertissement sur les risques d'incendie

- Ne manipulez pas de source de flammes nues à proximité de ce produit.
Sinon, cela pourrait causer un incendie.

Perte de vision

- Ne regardez jamais directement le faisceau laser.
Si le faisceau laser entre en contact avec vos yeux, vous risquez une perte de vision.

Manipulation

- Veillez à ne pas faire tomber le produit ni à le soumettre à des chocs importants.
Sinon, cela pourrait causer un incendie, un choc électrique ou un endommagement du produit.

Piles

- N'avalez jamais des piles.
- Gardez les piles hors de portée des enfants.
Sinon, ils risquent de les avaler accidentellement.
Le liquide fuyant des piles peut causer une perte de la vue ou une inflammation des yeux. Si le compartiment des piles de ce produit n'est pas parfaitement hermétique, cessez d'utiliser le produit et gardez-le hors de portée des enfants.
En cas d'ingestion accidentelle d'une pile, consultez immédiatement un médecin.
L'ingestion d'une pile peut causer de graves brûlures chimiques ou la fonte des tissus organiques dans les deux heures suivant l'ingestion, et peut provoquer le décès.
- Ne jetez pas des piles dans un feu ouvert.
- N'exposez pas les piles à une source de chaleur excessive, comme les rayons directs du soleil ou un feu ouvert.
Sinon, elles pourraient exploser et causer un incendie ou des blessures.
- Ne touchez pas le liquide fuyant d'une pile.
Sinon, cela pourrait causer une perte de la vue ou des brûlures chimiques. Si vous touchez du liquide fuyant d'une pile, rincez-le immédiatement à l'eau et consultez un médecin.
- N'utilisez pas de piles autres que celles du type spécifié.
- N'utilisez pas à la fois des piles neuves avec des piles usagées.
- N'utilisez pas simultanément des piles de types différents.
- N'insérez pas les piles dans le sens contraire aux indications de polarité.
- Ne percez ni démolissez jamais les piles.
- Ne chargez pas des piles sèches non rechargeables.

Sinon, les piles pourraient exploser ou du liquide pourrait en fuir, causant un incendie, des brûlures, une perte de la vue ou un endommagement du produit. Si vous touchez du liquide fuyant d'une pile, rincez-le immédiatement à l'eau et consultez un médecin.

- Ne transportez pas les piles dans une poche ni un sac et ne les rangez pas avec tout objet métallique.

Sinon, cela risquerait de causer un court-circuit dans les piles susceptible d'entraîner une explosion ou une fuite de liquide, provoquant un incendie, une perte de la vue ou des blessures.

- Si vous ne comptez pas utiliser le produit pendant une période prolongée, ou si les piles sont complètement déchargées, retirez-les de la télécommande.

Sinon, du liquide risque de fuir des piles, posant un risque de perte de la vue, de lésions inflammatoires ou d'endommagement du produit.

- Avant de ranger ou de mettre au rebut des piles, isolez leurs bornes en les couvrant de bande adhésive.

Si les bornes d'une pile entrent en contact avec d'autres piles ou des objets métalliques, cela pourrait causer une explosion ou une fuite de liquide des piles pouvant entraîner un incendie, des brûlures, une perte de la vue ou des lésions inflammatoires.



ATTENTION

Ces consignes de sécurité attirent votre attention sur des risques de blessures pour l'utilisateur ou des tiers.

Alimentation

- Si la fiche du cordon d'alimentation insérée dans une prise de courant a du jeu, n'utilisez pas cette prise.
Sinon, cela pourrait causer un incendie, un choc électrique ou des brûlures.
- Veillez à toujours saisir la fiche du cordon d'alimentation même, et non le cordon, pour la retirer du produit ou de la prise secteur.
Sinon, cela pourrait endommager le cordon d'alimentation, causant un incendie ou un choc électrique.

Installation

- Ne placez pas ce produit sur une surface instable ou soumise à des vibrations.
Sinon, le produit risquerait de tomber et d'être endommagé ou de causer des blessures.
- Veillez à ne pas bloquer la dissipation thermique du produit lors de son installation.
 - Ne couvrez pas le produit d'un morceau de tissu ni d'une nappe.
 - N'installez pas le produit sur une moquette ou un tapis.
 - Veillez à ce que la surface supérieure du produit soit orientée vers le haut. Ne posez pas le produit sur son flanc ni à l'envers.
 - N'utilisez pas le produit dans un lieu clos et mal aéré.

Une ventilation insuffisante peut causer une surchauffe à l'intérieur du produit susceptible d'entraîner un endommagement et un incendie ou un dysfonctionnement.

Veillez à conserver un espace libre suffisant autour du produit : au moins 2,5 cm à la surface, 2,5 cm sur les côtés et 2,5 cm à l'arrière.

- Durant un tremblement de terre, tenez-vous à l'écart du produit.
Sinon, le produit risquerait de tomber et d'être endommagé, causant des blessures.
- Avant de déplacer ce produit, veillez à désactiver l'interrupteur d'alimentation et à débrancher tous les câbles connectés.
Sinon, quelqu'un risque de se prendre le pied ou la main dans les câbles, causant la chute et l'endommagement du produit ou des blessures.

Raccordements

- Si vous comptez brancher des appareils externes, lisez d'abord le mode d'emploi de chaque appareil concerné et branchez chaque appareil en suivant les instructions fournies.
Si vous ne suivez pas ces instructions à la lettre, cela pourrait causer des blessures ou un endommagement du produit.

Perte auditives

- Ne vous exposez pas de façon prolongée à un niveau sonore élevé. Si vous constatez tout problème auditif, consultez un médecin.
- Avant de brancher ce produit à tout autre appareil, mettez tous les autres appareils hors tension.

Sinon, cela pourrait causer une perte auditive, un choc électrique ou un endommagement du produit.

- Quand vous mettez votre système audio sous tension, veillez à toujours mettre l'amplificateur de puissance sous tension EN DERNIER. Quand vous mettez votre système audio hors tension, veillez à toujours mettre l'amplificateur de puissance hors tension EN PREMIER. Sinon, cela pourrait causer une perte auditive ou un endommagement du produit.

Entretien

- Avant de nettoyer le produit, veillez à débrancher la fiche de son cordon d'alimentation de la prise secteur. Sinon, vous risquez un choc électrique.

Manipulation

- N'insérez jamais les mains ni les doigts dans tout interstice ou ouverture de ce produit. Sinon, cela pourrait causer des blessures.
- Ne laissez jamais des corps étrangers tels que des petites pièces métalliques ou du papier pénétrer à l'intérieur du produit par ses ouvertures. Sinon, cela pourrait causer un incendie, un choc électrique ou un endommagement du produit.
- N'appliquez pas de force excessive sur le produit comme décrit ci-dessous.
 - Reposer le poids de votre corps sur ce produit
 - Poser des objets lourds sur ce produit
 - Placer ce produit en empilement
 - Appliquer une force démesurée aux boutons, commutateurs ou connecteurs d'E/S

Sinon, cela pourrait causer des blessures ou un endommagement du produit.

- Ne tirez jamais sur des câbles connectés. Sinon, le produit risquerait de tomber et d'être endommagé ou de causer des blessures.

Précautions d'emploi

AVIS

Suivez les consignes ci-dessous pour éviter un dysfonctionnement et un endommagement du produit ainsi que la perte de données.

Alimentation

- Si vous ne comptez pas utiliser ce produit pendant une période prolongée, débranchez la fiche de son cordon d'alimentation de la prise secteur. Même quand le produit a été mis hors tension avec son commutateur [⏻] (alimentation) en face avant, une faible quantité de courant continue de l'alimenter.

Installation

- Selon l'environnement d'utilisation du produit, il se pourrait qu'un téléphone, une radio ou un téléviseur génère du bruit. Dans ce cas, changez l'emplacement ou l'orientation du produit, ou modifiez son environnement d'utilisation.
- N'installez pas ce produit dans des endroits exposés à :
 - La lumière directe du soleil
 - Des températures extrêmement basses ou élevées
 - Une quantité excessive de poussière

Sinon, cela pourrait causer un dysfonctionnement ou un endommagement du produit.

- N'installez pas ce produit dans un lieu où des changements abrupts et marqués de la température ambiante peuvent entraîner la formation de condensation. L'utilisation de ce produit en présence de condensation peut endommager le produit. Si vous suspectez la présence de condensation sur ou à l'intérieur de ce produit, laissez-le reposer plusieurs heures sans le mettre sous tension. Une fois que la condensation a complètement disparu, vous pouvez à nouveau utiliser le produit.

Manipulation

- Ne placez aucun produit en vinyle, en plastique ou en caoutchouc sur ce produit. Sinon, cela risquerait de décolorer ou détériorer son panneau.

Entretien

- Nettoyez ce produit à l'aide d'un chiffon doux et sec. N'utilisez pas de la benzène, du diluant, du détergent ni des chiffons de lavage chimique pour nettoyer la surface du produit. Sinon, cela risquerait de décolorer ou détériorer sa surface.

Informations importantes

NOTE

Cette section décrit des précautions à observer durant l'utilisation, des restrictions de fonctionnalité et des informations complémentaires utiles.

Mise au rebut ou transfert

- Avant de transférer la propriété de ce produit, veuillez à inclure ce document et les accessoires fournis avec le produit.
- Suivez les règlements en vigueur dans votre région pour mettre au rebut ce produit et ses accessoires.
- Suivez les règlements en vigueur dans votre région pour la mise au rebut des piles usagées.



AVERTISSEMENT

L'utilisation de commandes et l'emploi de réglages ou de méthodes autres que ceux décrits ci-dessous, peuvent entraîner une exposition à un rayonnement dangereux.

Sommaire

AVANT D'UTILISER L'APPAREIL 30

Fonctionnalités30

À propos de ce manuel30

Accessoires31

PRÉPARATION 32

Connexion à un amplificateur32

Raccordement du cordon d'alimentation32

Mise sous tension33

LECTURE AUDIO 34

Lecture de CD audio34

Lecture de fichiers musicaux stockés sur une clé USB35

Fonctions avancées36

Lecture en ordre aléatoire..... 36

Lecture répétée..... 36

Lecture des plages selon un ordre défini (lecture programmée) 36

Lecture répétée d'un passage spécifique (lecture répétée A-B) 37

Lecture en son de haute qualité (PURE DIRECT) 37

Changement des informations affichées sur l'écran 37

Réglage de luminosité de l'écran 37

ANNEXE 38

Noms des éléments38

Panneau avant 38

Écran..... 39

Panneau arrière 39

Télécommande 40

Réglages avancés41

Mémorisation du mode de lecture (PLAY MEM)..... 41

Mode paré à lire (RDY MODE) 41

Lecture automatique (AUTO PLAY)..... 41

Mise en veille automatique (AUTO STBY) 41

Formats de fichiers/disques/clés USB compatibles.....42

Caractéristiques techniques43

Résolution des problèmes44

AVANT D'UTILISER L'APPAREIL

Fonctionnalités

- Sortie numérique optique
- Sortie numérique coaxiale
- Lecture de disques CD-R et CD-RW prise en charge
- Lecture de fichiers sauvegardés sur clé USB ou CD de données (MP3/WMA/AAC/WAV/FLAC)
- Lecture en ordre aléatoire (page 36)
- Lecture répétée (page 36)
- Lecture programmée (uniquement pour CD audio) (page 36)
- Lecture répétée A-B (uniquement pour CD audio) (page 37)
- Fonction PURE DIRECT (page 37)
- Paramètres d'écran configurables (éléments affichés/luminosité) (page 37)
- Alimentation/veille commandées à distance
- Mémorisation du mode de lecture (page 41)
- Mode paré à lire (page 41)
- Lecture automatique (page 41)
- Mise en veille automatique (page 41)

À propos de ce manuel

- Ce manuel décrit les opérations exécutées principalement avec la télécommande fournie.
- Toutes les illustrations figurant dans ce mode d'emploi servent à clarifier les instructions d'utilisation.
- Dans ce mode d'emploi, un « CD audio » désigne un CD de musique et un « CD de données » un CD contenant des données MP3/WMA/AAC/WAV/FLAC.
- Les spécifications techniques et l'aspect du produit peuvent être modifiés sans préavis.



- **AVERTISSEMENT** alerte sur un risque de décès ou de blessures graves.



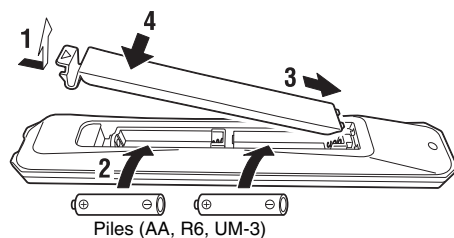
- **ATTENTION** alerte sur un risque de blessures corporelles.
- **Avis** fournit des consignes à respecter pour éviter un dysfonctionnement et un endommagement du produit.
- **Note** fournit des informations utiles supplémentaires.

Accessoires

- Télécommande
- Cordon d'alimentation
- Câble stéréo RCA/Cinch
- Piles (AA, R6, UM-3) (x2)
- Mode d'emploi (ce manuel)

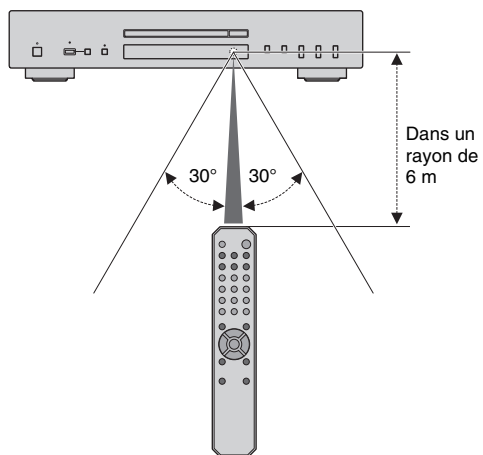
Mise en place des piles dans la télécommande

Insérez les piles dans le sens correct.



Portée de la télécommande

Pointez la télécommande vers le capteur de télécommande de l'appareil, en l'utilisant dans sa zone de portée décrite sur l'illustration de droite.



PRÉPARATION

Connexion à un amplificateur



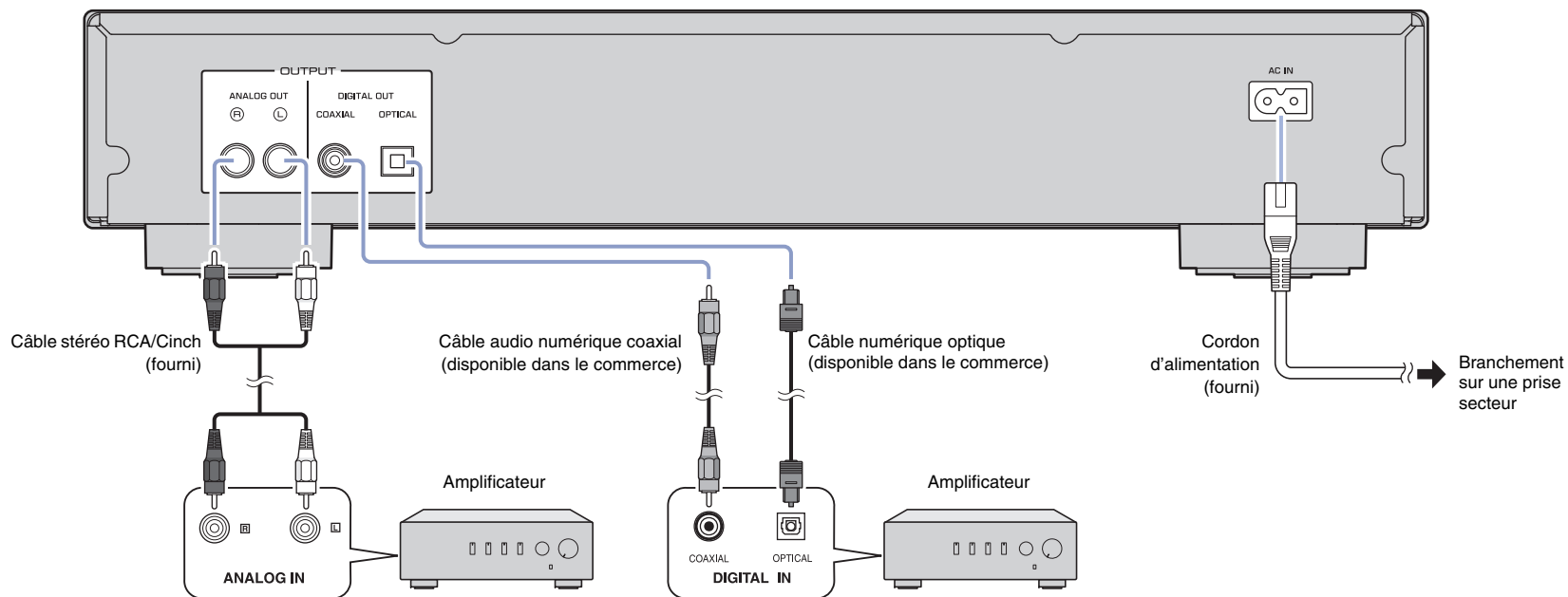
ATTENTION

- Ne branchez le cordon d'alimentation ni de cet appareil ni d'aucun autre dispositif au secteur avant que toutes les connexions audio ne soient terminées.


Raccordement du cordon d'alimentation

Quand toutes les connexions sont effectuées, branchez le cordon d'alimentation fourni à la prise AC IN de l'appareil et l'autre extrémité du cordon à une prise de courant de tension appropriée.

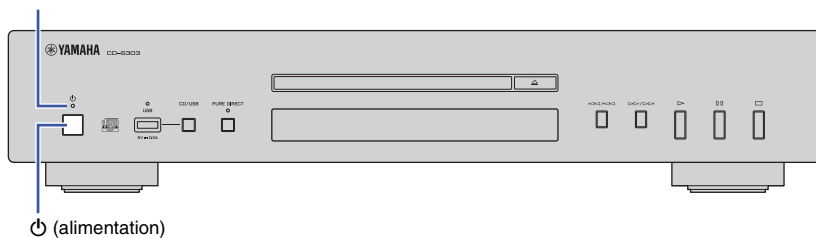
Cet appareil (arrière)




Mise sous tension

Pour mettre l'appareil sous tension, appuyez sur le bouton  (alimentation) du panneau avant.

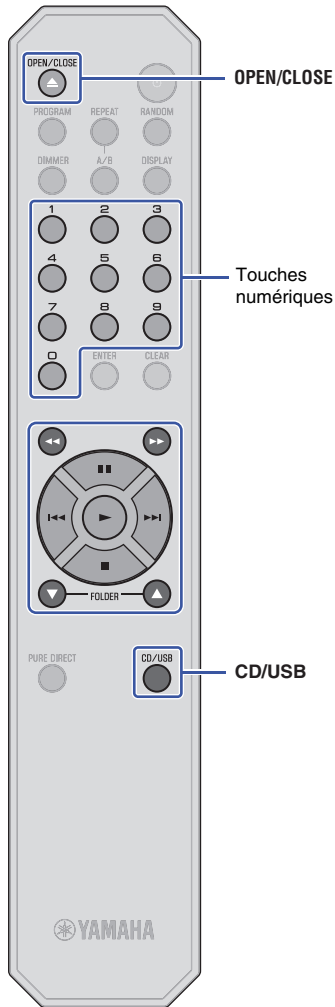
Témoin d'alimentation



Note

- Si vous appuyez sur la touche  (alimentation) de la télécommande quand l'appareil est sous tension, il passe en veille.
- Le témoin d'alimentation de l'appareil fournit les indications suivantes :
 - Fortement éclairé : alimentation activée
 - Faiblement éclairé : mode veille
 - Éteint : hors tension
- La fonction de mise en veille automatique de cet appareil permet de réduire sa consommation électrique (page 41).
(Réglage par défaut: mise en veille automatique activée)

LECTURE AUDIO



Lecture de CD audio

Cet appareil permet de lire des CD de données et des CD audio. Pour des informations sur les types de CD pouvant être lus avec cet appareil, voyez la section «Formats de fichiers/disques/clés USB compatibles» (page 42).

1 Si le témoin USB du panneau avant est allumé, appuyez sur la touche CD/USB pour activer le mode de disque.

2 Insérez un CD dans le tiroir de disque.

La touche OPEN/CLOSE permet d'ouvrir et de fermer alternativement le tiroir de disque.

Note

- Le bouton (ouverture/fermeture) du panneau avant permet aussi d'ouvrir et de fermer alternativement le tiroir de disque.
- Quand l'appareil est préparé pour la lecture d'un CD audio, le témoin du support de lecture (CD) s'allume sur l'écran.

3 Appuyez sur la touche (lecture).

Le témoin de lecture () s'allume sur l'écran et la lecture démarre.

Note

- Durant la lecture d'un fichier audio, le témoin du support de lecture correspondant au format de ce fichier s'allume sur l'écran.

Avis

- N'insérez pas la main ni les doigts dans la fente du tiroir de disque. Sinon, cela pourrait causer des blessures.

Note

- Après le chargement d'un CD dans le tiroir de disque, le tiroir se referme et la lecture démarre si vous effectuez une des opérations suivantes :
 - Vous appuyez sur la touche (lecture).
 - Vous appuyez sur une touche numérique correspondant au numéro d'une plage.
- Vous pouvez configurer l'appareil de sorte que la lecture démarre automatiquement quand vous le mettez sous tension ou quand vous passez en mode de disque ou en mode USB (page 41). (Réglage par défaut: lecture automatique activée)

Utilisez les touches suivantes de la télécommande pour contrôler les fonctions.

Touches disponibles	Fonction
(lecture)	Le témoin de lecture () s'allume sur l'écran et la lecture démarre.
(pause)	Le témoin de pause () s'allume sur l'écran et la lecture s'interrompt. Appuyez sur (ou à nouveau sur) pour relancer la lecture.
(arrêt)	Arrête la lecture.
(recherche arrière)*	Effectue une recherche arrière dans le morceau.
(recherche avant)*	Effectue une recherche avant dans le morceau.
(saut arrière)*	Retourne au début du morceau précédent. Retourne au début du morceau courant quand cette touche est enfoncée pendant la lecture.
(saut avant)*	Saute au début du morceau suivant.
Touches numériques	Pour sélectionner une plage, appuyez simplement sur la touche numérique correspondante.
FOLDER , (uniquement pour les CD de données)	Permettent de sélectionner un dossier.

* Les boutons de commande du panneau avant opèrent les fonctions suivantes :

/ (saut arrière/recherche arrière) :

Retourne au début du morceau précédent. Retourne au début du morceau courant quand cette touche est enfoncée pendant la lecture. Permet aussi d'effectuer une recherche arrière quand la touche est maintenue enfoncée pendant la lecture.

/ (saut avant/recherche avant) :

Saute au début du morceau suivant. Permet aussi d'effectuer une recherche avant quand la touche est maintenue enfoncée pendant la lecture.

Lecture de fichiers musicaux stockés sur une clé USB

Cet appareil permet de lire des fichiers musicaux (stockés sur une clé USB). Pour des informations sur les clés USB prises en charge, voyez la section «Formats de fichiers/disques/clés USB compatibles» (page 42).

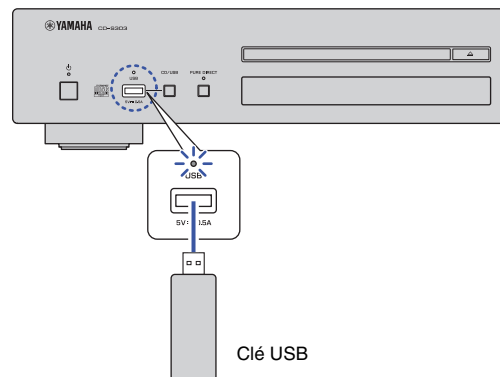
1 Si le témoin USB du panneau avant est éteint, appuyez sur la touche CD/USB pour activer le mode USB.

Le témoin USB en face avant s'allume en orange.

2 Branchez la clé USB à la prise USB.

Quand l'appareil est prêt pour la lecture, le témoin du support de lecture (USB) s'allume sur l'écran et le témoin USB en face avant s'allume en vert.

Cet appareil (panneau avant)



Avis

- N'utilisez pas de rallonge USB.

3 Appuyez sur la touche ► (lecture).

Le témoin de lecture (►) s'allume sur l'écran et la lecture démarre.

Note

- Durant la lecture d'un fichier audio, le témoin du support de lecture correspondant au format de ce fichier s'allume sur l'écran.
- L'appareil permet de lire des fichiers musicaux compatibles contenus sur une clé USB dans l'ordre chronologique, sur base de leur date de création.

Avis

- Ne retirez jamais la clé USB pendant la lecture ou quand « USB READING » est affiché sur l'écran. Dans ce cas, appuyez d'abord sur la touche CD/USB pour activer le mode de disque et vérifiez que le témoin USB est éteint avant de retirer la clé USB.

Utilisez les touches suivantes de la télécommande pour contrôler les fonctions.

Touches disponibles	Fonction
► (lecture)	Le témoin de lecture (►) s'allume sur l'écran et la lecture démarre.
▬▬ (pause)	Le témoin de pause (▬▬) s'allume sur l'écran et la lecture s'interrompt. Appuyez sur ► (ou à nouveau sur ▬▬) pour relancer la lecture.
■ (arrêt)	Arrête la lecture.
◀◀ (recherche arrière)*	Effectue une recherche arrière dans le morceau.
▶▶ (recherche avant)*	Effectue une recherche avant dans le morceau.
◀◀ (saut arrière)*	Retourne au début du morceau précédent. Retourne au début du morceau courant quand cette touche est enfoncée pendant la lecture.
▶▶ (saut avant)*	Saute au début du morceau suivant.
FOLDER ▲, ▼	Permettent de sélectionner un dossier.

* Les boutons de commande du panneau avant opèrent les fonctions suivantes :

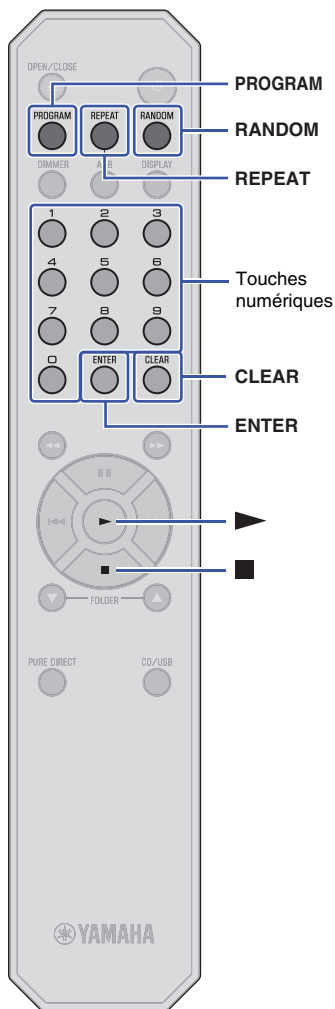
◀◀/◀◀ (saut arrière/recherche arrière) :

Retourne au début du morceau précédent. Retourne au début du morceau courant quand cette touche est enfoncée pendant la lecture. Permet aussi d'effectuer une recherche arrière quand la touche est maintenue enfoncée pendant la lecture.

▶▶/▶▶ (saut avant/recherche avant) :

Saute au début du morceau suivant. Permet aussi d'effectuer une recherche avant quand la touche est maintenue enfoncée pendant la lecture.





Fonctions avancées

Vous pouvez configurer le mode de lecture et les paramètres d'affichage à l'aide des fonctions avancées.

Lecture en ordre aléatoire

Appuyez sur la touche RANDOM pour lire les plages dans un ordre aléatoire. Chaque pression sur la touche RANDOM change le réglage de lecture aléatoire comme suit :

Témoin	Réglage
RNDM	Lit toutes les plages dans un ordre aléatoire.
Off	La lecture en ordre aléatoire est désactivée.

Note

- Pour annuler la lecture en ordre aléatoire, ouvrez le tiroir de disque.

Lecture répétée

Appuyez sur la touche REPEAT pour lire les plages de manière répétée. Chaque pression sur la touche REPEAT change le réglage de lecture répétée comme suit :

Témoin	Réglage
REP	Lit une plage de manière répétée.
REP FOLDER (uniquement pour les CD de données et les clés USB)	Lit les plages du dossier actuel de manière répétée.
REP ALL	Lit toutes les plages de manière répétée.
Off	La lecture répétée est désactivée.

Note

- Pour annuler la lecture répétée, ouvrez le tiroir de disque.

Lecture des plages selon un ordre défini (lecture programmée)

Vous pouvez lire les plages d'un CD selon un ordre défini.

- 1 Appuyez sur la touche PROGRAM quand la lecture est arrêtée.



- 2 Saisissez le numéro d'une plage à programmer avec les touches numériques.



- 3 Appuyez sur ENTER.

Répétez les étapes 2 et 3 pour programmer toutes les plages voulues.

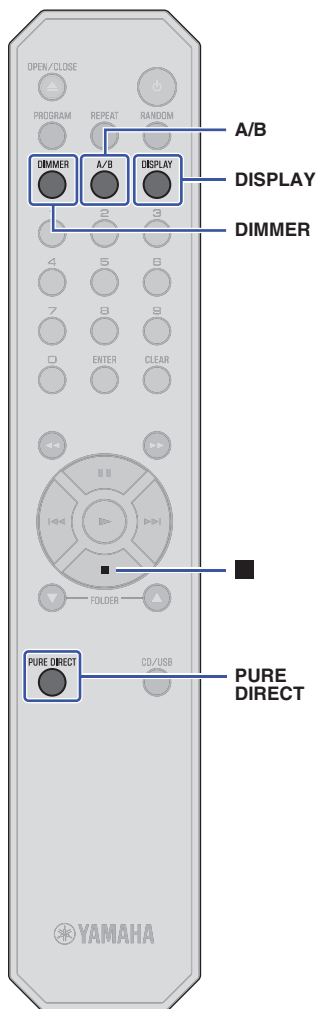
La touche CLEAR supprime chaque plage programmée, en commençant par la dernière plage programmée.

- 4 Appuyez sur la touche ► (lecture).

L'appareil démarre la lecture des plages selon l'ordre programmé.

Note

- La lecture programmée n'est pas disponible pour les CD de données ni les clés USB.
- Vous pouvez programmer jusqu'à 24 plages.
- Suivez une des méthodes ci-dessous pour supprimer toutes les plages programmées :
 - Appuyez sur la touche CLEAR quand la lecture est arrêtée.
 - Mettez l'appareil hors tension ou mettez-le en mode veille.
 - Ouvrez le tiroir de disque.



Lecture répétée d'un passage spécifique (lecture répétée A-B)

Vous pouvez définir le point de départ et de fin d'un passage sur une plage de CD audio de sorte à lire ce passage de manière répétée.

- 1 Lisez un CD audio.
- 2 Appuyez sur la touche A/B au point de départ voulu pour le passage répété.



- 3 Appuyez à nouveau sur la touche A/B au point de fin voulu pour le passage répété.

L'appareil démarre la lecture répétée.



Note

- La lecture répétée n'est pas disponible pour les CD de données ni les clés USB.
- La lecture répétée A-B n'est pas disponible quand la fonction PURE DIRECT est activée.
- Suivez une des méthodes ci-dessous pour annuler la lecture répétée A-B :
 - Appuyez à nouveau sur la touche A/B.
 - Appuyez sur la touche ■ (arrêt).
 - Ouvrez le tiroir de disque.

Lecture en son de haute qualité (PURE DIRECT)

Quand la fonction PURE DIRECT est active, le signal numérique est désactivé. La fonction PURE DIRECT réduit ainsi le bruit affectant la qualité sonore et rehausse votre plaisir d'écoute avec un son de haute qualité.

Chaque pression sur la touche PURE DIRECT active et désactive alternativement la fonction PURE DIRECT.

Note

- Pour exploiter la fonction PURE DIRECT, branchez les prises de sortie ANALOG OUT du panneau arrière à l'amplificateur. Les prises DIGITAL OUT ne produisent aucun signal.
- Quand la fonction PURE DIRECT est active :
 - Le témoin PURE DIRECT s'allume.
 - L'écran est éteint pendant la lecture de contenu.
 - Il affiche un nombre minimum de témoins et messages durant l'utilisation de l'appareil.
 - Le réglage de cette fonction est mémorisé à la mise hors tension de l'appareil.

Changement des informations affichées sur l'écran

Chaque pression sur la touche DISPLAY durant la lecture permet de changer comme suit les informations affichées sur l'écran :

Support de lecture	Informations affichées sur l'écran
CD audio	Durée écoulée → Durée résiduelle du morceau courant (TRACK REMAIN) → Durée résiduelle du CD (TOTAL REMAIN) → Nom du morceau* → Nom de l'artiste* → Titre de l'album* * Si le disque contient des données CD-texte
CD de données, clé USB	Durée écoulée → Nom du morceau* → Nom de l'artiste* → Titre de l'album* * À condition que le support intègre ces marqueurs

Note

- L'écran peut afficher jusqu'à 64 caractères (caractères alphanumériques d'un octet et divers symboles).

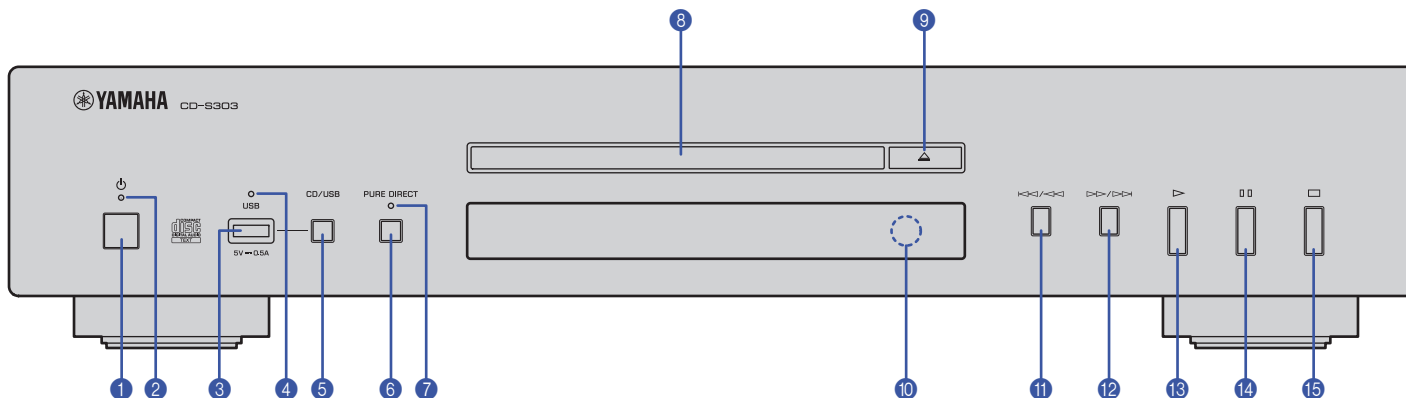
Réglage de luminosité de l'écran

La touche DIMMER permet de régler la luminosité de l'écran sur quatre niveaux différents.

ANNEXE

Noms des éléments

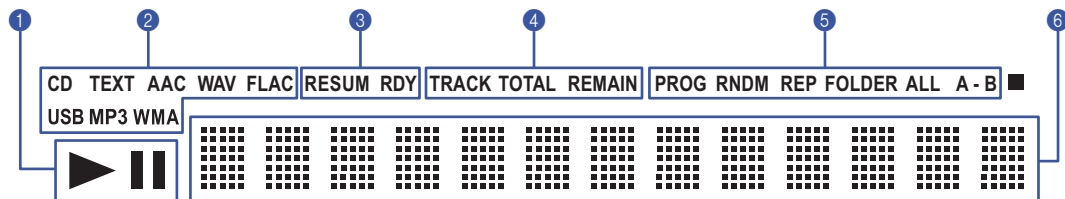
Panneau avant



- ❶ ⏻ (alimentation) (page 33)
- ❷ 🔦 (Témoin d'alimentation) (page 33)
- ❸ USB (Prise USB) (page 35)
- ❹ 🔦 (Témoin USB) (page 35)
- ❺ CD/USB (pages 34, 35)
- ❻ PURE DIRECT (page 37)
- ❼ 🔦 (Témoin PURE DIRECT) (page 37)
- ❽ 📀 (Tiroir de disque) (page 34)
- ❾ ⏏ (ouverture/fermeture) (page 34)

- ❿ 📶 (Capteur de télécommande) (page 31)
- ⓫ ⏮/⏪ (saut arrière/recherche arrière) (pages 34, 35)
- ⓬ ⏩/⏭ (saut avant/recherche avant) (pages 34, 35)
- ⓭ ▶ (lecture) (pages 34, 35, 36)
- ⓮ ⏸ (pause) (pages 34, 35)
- ⓯ ⏹ (arrêt) (pages 34, 35, 36, 37)

Écran



1 Témoin ▶ / || (lecture/pause) (pages 34, 35)

2 Témoin de support de lecture (pages 34, 35)

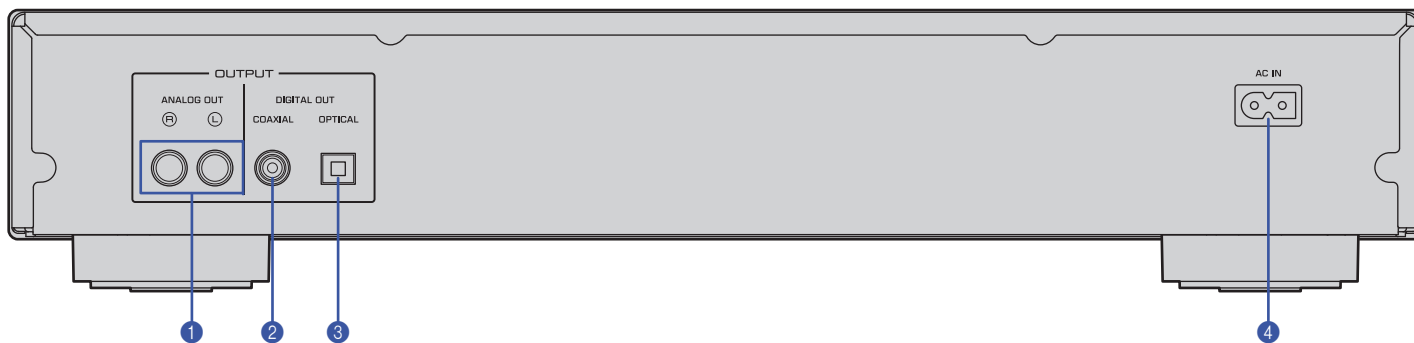
3 Témoin des réglages avancés (page 41)

4 Affichage de durée (Page 37)

5 Témoin du mode de lecture (pages 36, 37)

6 Affichage d'informations (pages 36, 37, 41)

Panneau arrière



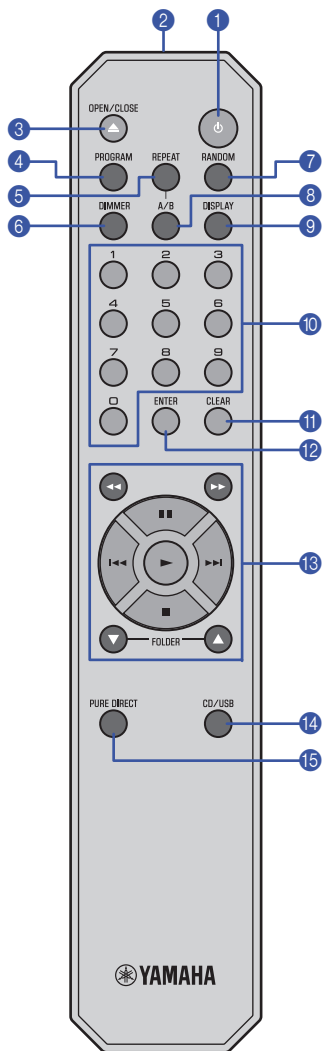
1 Prises ANALOG OUT (page 32)

2 Prise DIGITAL OUT (COAXIAL) (page 32)

3 Prise DIGITAL OUT (OPTICAL) (page 32)

4 Prise AC IN (page 32)

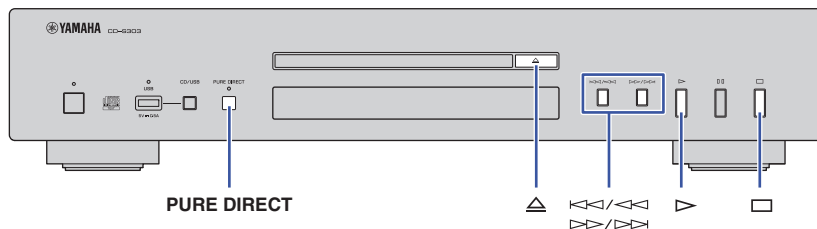
Télécommande



- 1 (alimentation) (page 33)
- 2 Émetteur de signal de télécommande (page 31)
- 3 OPEN/CLOSE (page 34)
- 4 PROGRAM (page 36)
- 5 REPEAT (page 36)
- 6 DIMMER (page 37)
- 7 RANDOM (page 36)
- 8 A/B (page 37)
- 9 DISPLAY (page 37)
- 10 Touches numériques (pages 34, 36)
- 11 CLEAR (page 36)
- 12 ENTER (page 36)
- 13 (recherche arrière), (recherche avant) (pages 34, 35)
 - (pause) (pages 34, 35)
 - (saut arrière) (pages 34, 35)
 - (saut avant) (pages 34, 35)
 - (lecture) (pages 34, 35, 36)
 - (arrêt) (pages 34, 35, 36, 37)
 - FOLDER , (pages 34, 35)
- 14 CD/USB (pages 34, 35)
- 15 PURE DIRECT (page 37)

Réglages avancés

Cette section décrit la configuration des diverses fonctions avancées. Vous pouvez changer la majorité de ces paramètres depuis la face avant. (Certains paramètres ne sont accessibles que via la télécommande.)



- 1 Activez le mode veille de l'appareil (page 33).
- 2 Maintenez simultanément les touches **PURE DIRECT**, **△** (ouverture/fermeture) et **▷** (lecture), enfoncées pendant au moins trois secondes.

Le témoin suivant apparaît sur l'affichage d'informations en face avant, puis l'appareil passe en mode de réglage. Ce mode permet de régler dans cet ordre les fonctions suivantes : mémorisation du mode de lecture, mode paré à lire, lecture automatique et mise en veille automatique.



- 3 Appuyez sur la touche **◀◀/◀◀** ou **▷▷/▷▷** pour activer ou couper la fonction.
- 4 Appuyez sur la touche **□** (arrêt).

Le réglage est confirmé et le paramètre suivant est automatiquement sélectionné. Répétez les étapes 3 et 4. Quand tous les réglages sont terminés, le témoin suivant apparaît sur l'affichage d'informations en face avant, puis l'appareil passe en veille.



Note

- Si vous appuyez sur la touche **▷** (lecture) au cours de cette procédure, le réglage est confirmé et l'appareil passe en veille.

Mémorisation du mode de lecture (PLAY MEM)

Quand cette fonction est active, l'appareil mémorise et conserve les réglages de lecture répétée et de lecture aléatoire après sa mise hors tension. Quand la mémorisation du mode de lecture est activée, le témoin des réglages avancés (RESUM) s'allume sur l'écran.

Réglage par défaut : Désactivé

Note

- Quand la fonction de mémorisation du mode de lecture est activée et que vous mettez l'appareil sous tension, il lit la dernière plage ou le dernier fichier lu depuis le début.

Mode paré à lire (RDY MODE)

Quand cette fonction est active, l'appareil interrompt momentanément la lecture à la fin de chaque plage. La lecture de la plage suivante démarre lorsque vous la choisissez. Quand le mode paré à lire est activé, le témoin des réglages avancés (RDY) s'allume sur l'écran.

Réglage par défaut : Désactivé

Lecture automatique (AUTO PLAY)

Quand cette fonction est active, la lecture démarre automatiquement quand vous mettez l'appareil sous tension ou quand vous passez en mode de disque ou mode USB.

Réglage par défaut : Activé

Mise en veille automatique (AUTO STBY)

Quand cette fonction est active, l'appareil passe automatiquement en veille lorsque 20 minutes s'écoulent sans aucune activité après l'arrêt de la lecture.

Réglage par défaut : Activé

Formats de fichiers/disques/clés USB compatibles

☐ Formats de fichiers compatibles

Fichier	Fréquence d'échantillonnage (kHz)	Résolution de bit (bit)	Débit binaire (kpbs)	Nombre de canaux
MP3	32/44.1/48	—	32-320	2
WMA	32/44.1/48	—	48-192	2
AAC	32/44.1/48	—	8-320	2
WAV *	32/44.1/48/64/88.2/96	16/24	—	2
FLAC	32/44.1/48/64/88.2/96	16/24	—	2

* Format PCM linéaire uniquement.

Note

- Les fichiers contenus sur un CD de données ou une clé USB sont lus dans l'ordre chronologique, selon leur date de création.
- Cet appareil prend en charge les disques au format ISO9660.
- Lorsque l'appareil lit un fichier VBR (Variable Bit Rate), la durée écoulée pourrait ne pas être affichée avec précision.
- Les contenus Digital Rights Management (DRM) encodés ne peuvent pas être lus.

	CD de données	Clé USB
Nombre de hiérarchies de dossiers (y compris le répertoire racine)	9	9
Nombre de dossiers	999	999
Nombre de fichiers	1100	65535

☐ Disques pris en charge

Utilisez des disques affichant un des logos suivants.



Disques compacts (CD audio)



Disques CD-R et CD-RW

- Utilisez des disques comportant une des mentions suivantes :
FOR CONSUMER
FOR CONSUMER USE
FOR MUSIC USE ONLY
- L'appareil lit uniquement des disques CD-R et CD-RW finalisés.



Note

- Il se pourrait que l'appareil ne puisse pas lire certains disques CD-R/CD-RW ou des disques incorrectement enregistrés.



Disques contenant des données CD-texte



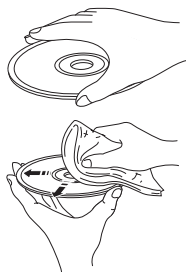
Ces disques contiennent des données de texte, comme par exemple les titres d'albums, noms de morceaux et noms d'artistes. Ces informations (uniquement des caractères alphanumériques ainsi que certains symboles) s'affichent en même temps que la durée écoulée.

Avis

- N'utilisez pas des disques de forme irrégulière ni de disques sur lesquels de la bande adhésive ou des vignettes sont collées. Sinon cela pourrait entraîner un dysfonctionnement de l'appareil.
- Il se pourrait que l'appareil ne puisse pas lire certains disques CD-RW ou des disques incorrectement enregistrés.
- Pour lire un CD de 8 cm, posez-le dans le creux au centre du tiroir de disque. Ne posez jamais un CD conventionnel (de 12 cm) sur un CD de 8 cm.

Manipulation des disques

- Manipulez les disques avec soin, de sorte à ne pas rayer leur surface enregistrée. Ne pliez jamais les disques.



- En présence de traces de doigts ou de poussière sur la surface enregistrée, frottez le disque depuis son centre vers son bord extérieur avec un chiffon doux.
- N'utilisez jamais de produit nettoyant pour disques vinyles, d'agent antistatique ni d'autres produits chimiques pour nettoyer un disque.
- Écrivez exclusivement sur le côté étiquette du disque, avec un feutre à pointe douce.
- Ne laissez jamais un disque à la lumière directe du soleil ni dans un endroit soumis à des températures ou une humidité élevées de manière prolongée.
- N'utilisez pas de nettoyant pour lentille disponible dans le commerce. Sinon cela pourrait causer un dysfonctionnement.

Clés USB prises en charge

Avant d'utiliser cet appareil pour lire des fichiers musicaux stockés sur une clé USB, vérifiez que les conditions suivantes sont respectées :

- La clé USB est conforme aux normes des périphériques de stockage de masse.
- Les données ont été enregistrées via le système de fichiers FAT16 ou FAT32.

Avis

- Il se pourrait que certaines clés USB ne fonctionnent pas correctement.
- Les clés USB avec cryptage ne peuvent pas être utilisés.
- Yamaha et ses revendeurs déclinent toute responsabilité pour toute perte de données sauvegardées sur une clé USB raccordée à cet appareil. Nous vous recommandons de faire régulièrement des copies de sauvegarde pour vous protéger contre la perte de données.
- Yamaha ne garantit ni le fonctionnement ni l'alimentation de toute clé USB.

Caractéristiques techniques

Voici les caractéristiques techniques de cet appareil.

Prises de sortie

- Audio analogique x 1 (RCA/Cinch asymétrique)
- Audio numérique
COAXIAL x 1, OPTICAL x 1

Autres prises

- USB x 1 (USB2.0)

Section audio

- Niveau de sortie (1 kHz, 0 dB, Fs 44,1 kHz)..... 2,0 ±0,3 V
- Rapport S/B (réseau IHF-A) (1 kHz, 0 dB, Fs 44,1 kHz)..... 105 dB ou plus
- Plage dynamique (1 kHz, 0 dB, Fs 44,1 kHz)..... 96 dB ou plus
- Distorsion harmonique (1 kHz, 0 dB, Fs 44,1 kHz)..... 0,003% ou moins
- Réponse en fréquence
CD audio..... 2 Hz – 20 kHz
CD de données/USB Fs 48 kHz..... 2 Hz – 22 kHz
Fs 96 kHz..... 2 Hz – 44 kHz, –3 dB

Section laser

- Type de laser..... AlGaAs
- Longueur d'onde..... 790 nm
- Puissance du laser..... 1,04 mW max.

Généralités

- Tension d'alimentation
Modèles pour les États-Unis et le Canada..... CA 120 V, 60 Hz
Modèle pour l'Australie..... CA 230–240 V, 50 Hz
Modèles pour l'Europe et le Royaume-Uni..... CA 230 V, 50 Hz
Modèle pour l'Asie et modèle général..... CA 110–240 V, 50/60 Hz
Modèle pour la Chine..... CA 220 V, 50 Hz
- Consommation..... 11 W
- Consommation en veille
Standby (mode veille)..... 0,2 W
Hors tension..... 0,2 W
- Dimensions (L x H x P)..... 435 x 87 x 260 mm
- Poids..... 3,5 kg

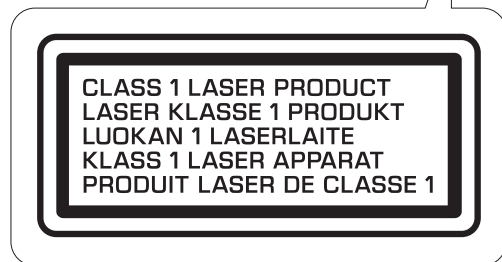
* Le contenu de ce mode d'emploi s'applique aux dernières caractéristiques techniques connues à la date de publication du manuel. Pour obtenir la version la plus récente du manuel, accédez au site Web de Yamaha puis téléchargez le fichier du manuel concerné.

Résolution des problèmes

Reportez-vous au tableau suivant si l'appareil ne fonctionne pas correctement. Si l'anomalie constatée ne figure pas ci-dessous, ou si la correction suggérée reste sans effet, mettez l'appareil hors tension en appuyant sur  (alimentation) en face avant, débranchez le cordon d'alimentation et prenez contact avec un revendeur ou un centre SAV Yamaha agréé.

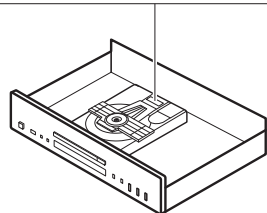
Anomalies	Causes possibles	Solution	Page
Impossible de mettre l'appareil sous tension en appuyant sur son interrupteur d'alimentation.	Le cordon d'alimentation est peut-être mal raccordé.	Branchez fermement le cordon d'alimentation à une prise secteur.	32
Le tiroir de disque ne se referme pas complètement.	Un corps étranger se trouve à l'intérieur du tiroir de disque.	Vérifiez le tiroir de disque et retirez-en tout corps étranger.	—
Impossible de lire le disque chargé.	Le disque est rayé.	Utilisez un autre disque.	—
	De la condensation s'est formée sur la lentille à l'intérieur de l'appareil.	Mettez l'appareil sous tension et attendez 20 à 30 minutes avant d'essayer à nouveau de lire le disque.	—
	Le disque a été inséré à l'envers.	Insérez le disque avec son étiquette orientée vers le haut.	—
	Le disque est sale ou rayé.	Éliminez la saleté de la surface du disque ou choisissez un disque intact.	43
	Vous tentez de lire un fichier dont le format n'est pas pris en charge par l'appareil.	Veillez à utiliser un disque contenant des fichiers de format compatible avec l'appareil.	42
	Vous tentez de lire un disque dont le format n'est pas pris en charge par l'appareil.	Veillez à utiliser un disque de format compatible avec l'appareil.	42, 43
	L'appareil se trouve en mode USB.	Appuyez sur la touche CD/USB pour activer le mode de disque.	34, 38, 40
La lecture ne commence pas directement ou ne commence pas à l'emplacement correct.	Le disque est sale ou rayé.	Éliminez la saleté de la surface du disque ou choisissez un disque intact.	43
Impossible de lire un fichier musical stocké sur votre clé USB.	La clé USB n'est peut-être pas correctement raccordée à l'appareil.	Raccordez correctement la clé USB.	35
	Vous tentez de lire un fichier dont le format n'est pas pris en charge par l'appareil.	Veillez à utiliser une clé USB contenant des fichiers de format compatible avec l'appareil.	42
	L'appareil se trouve en mode de disque.	Appuyez sur la touche CD/USB pour activer le mode USB.	35, 38, 40
Aucun son	La connexion de l'appareil à l'amplificateur est incorrecte.	Vérifiez la connexion à l'amplificateur.	32
L'appareil branché aux prises DIGITAL OUT ne produit aucun son.	La fonction PURE DIRECT est active.	Désactivez la fonction PURE DIRECT.	37

Anomalies	Causes possibles	Solution	Page
La lecture est saccadée.	Des vibrations ou des coups affectent la lecture.	Changez l'emplacement de l'appareil.	—
	Le disque est sale ou rayé.	Éliminez la saleté de la surface du disque ou choisissez un disque intact.	43
L'appareil produit un ronflement ou un bourdonnement.	Le câble RCA/Cinch stéréo est mal raccordé.	Raccordez fermement le câble RCA/Cinch stéréo. Si cela ne résout pas le problème, assurez-vous que le câble n'est pas lui-même endommagé.	32
Votre syntoniseur génère du bruit.	L'appareil est proche du syntoniseur.	Mettez l'appareil hors tension ou éloignez-le du syntoniseur.	—
Le fonctionnement du tiroir de disque est bruyant.	Le disque est déformé.	Utilisez un disque sans la moindre déformation.	—
L'écran n'affiche aucune information.	La fonction PURE DIRECT est active.	Désactivez la fonction PURE DIRECT.	37
Aucun nom de dossier ni nom de fichier n'apparaît sur l'affichage d'information.	Le nom du dossier ou du fichier contient des caractères autres que le format alphanumérique d'un octet.	Utilisez exclusivement des caractères alphanumériques d'un octet pour les noms de dossier et de fichier.	37
La télécommande ne fonctionne pas correctement.	Les piles sont déchargées.	Remplacez toutes les piles.	31
	Distance ou angle incorrect.	Utilisez la télécommande dans sa zone de portée.	31
	Les rayons directs du soleil ou un éclairage direct (provenant d'une lampe fluorescente à changement de fréquence, etc.) frappent le capteur de télécommande de l'appareil.	Changez la position de l'éclairage ou de l'appareil.	—



CAUTION: INVISIBLE LASER RADIATION WHEN OPEN
DO NOT STARE INTO BEAM

DANGER: INVISIBLE LASER RADIATION WHEN OPEN
AVOID DIRECT EXPOSURE TO THE BEAM



Software licenses

This product uses the following software.

Licences de logiciel

Ce produit utilise le logiciel suivant.

FLAC

Copyright © 2000–2009 Josh Coalson
Copyright © 2011–2021 Xiph.Org Foundation

Redistribution and use in source and binary forms, with or without modification, are permitted provided that the following conditions are met:

- Redistributions of source code must retain the above copyright notice, this list of conditions and the following disclaimer.
- Redistributions in binary form must reproduce the above copyright notice, this list of conditions and the following disclaimer in the documentation and/or other materials provided with the distribution.
- Neither the name of the Xiph.org Foundation nor the names of its contributors may be used to endorse or promote products derived from this software without specific prior written permission.

THIS SOFTWARE IS PROVIDED BY THE COPYRIGHT HOLDERS AND CONTRIBUTORS ``AS IS'' AND ANY EXPRESS OR IMPLIED WARRANTIES, INCLUDING, BUT NOT LIMITED TO, THE IMPLIED WARRANTIES OF MERCHANTABILITY AND FITNESS FOR A PARTICULAR PURPOSE ARE DISCLAIMED. IN NO EVENT SHALL THE FOUNDATION OR CONTRIBUTORS BE LIABLE FOR ANY DIRECT, INDIRECT, INCIDENTAL, SPECIAL, EXEMPLARY, OR CONSEQUENTIAL DAMAGES (INCLUDING, BUT NOT LIMITED TO, PROCUREMENT OF SUBSTITUTE GOODS OR SERVICES; LOSS OF USE, DATA, OR PROFITS; OR BUSINESS INTERRUPTION) HOWEVER CAUSED AND ON ANY THEORY OF LIABILITY, WHETHER IN CONTRACT, STRICT LIABILITY, OR TORT (INCLUDING NEGLIGENCE OR OTHERWISE) ARISING IN ANY WAY OUT OF THE USE OF THIS SOFTWARE, EVEN IF ADVISED OF THE POSSIBILITY OF SUCH DAMAGE.

YAMAHA CORPORATION

10-1 Nakazawa-cho, Chuo-ku, Hamamatsu, 430-8650 Japan

Yamaha Global Site

<https://www.yamaha.com/>

Yamaha Downloads

<https://download.yamaha.com/>

© 2021 Yamaha Corporation

Published 01/2024

IPOD-C0

VHK4270