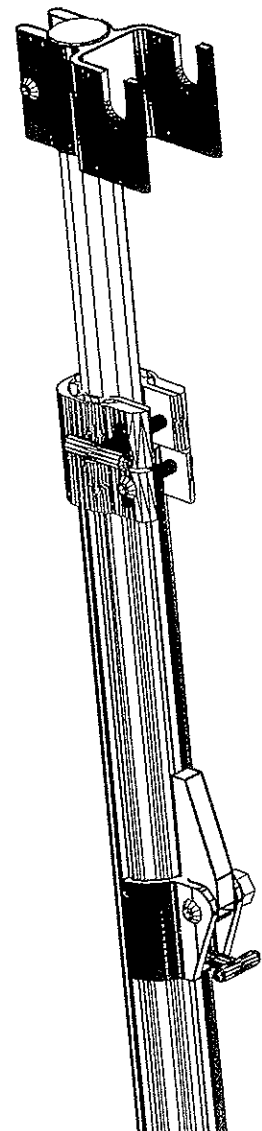
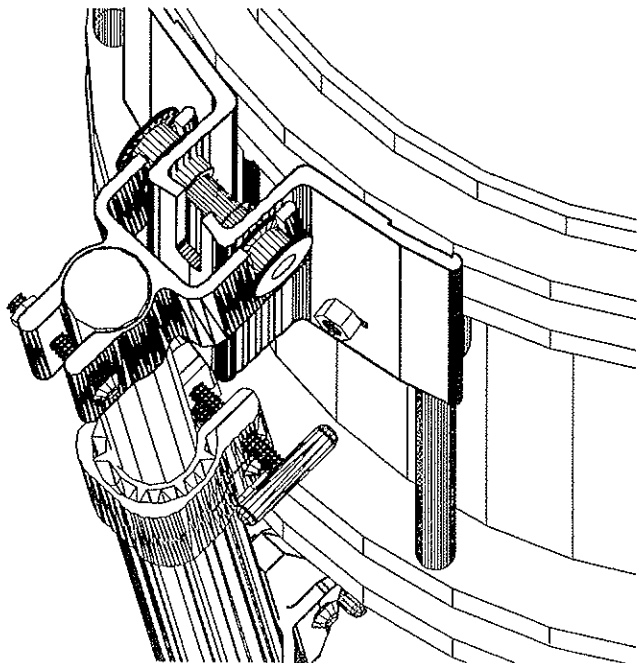
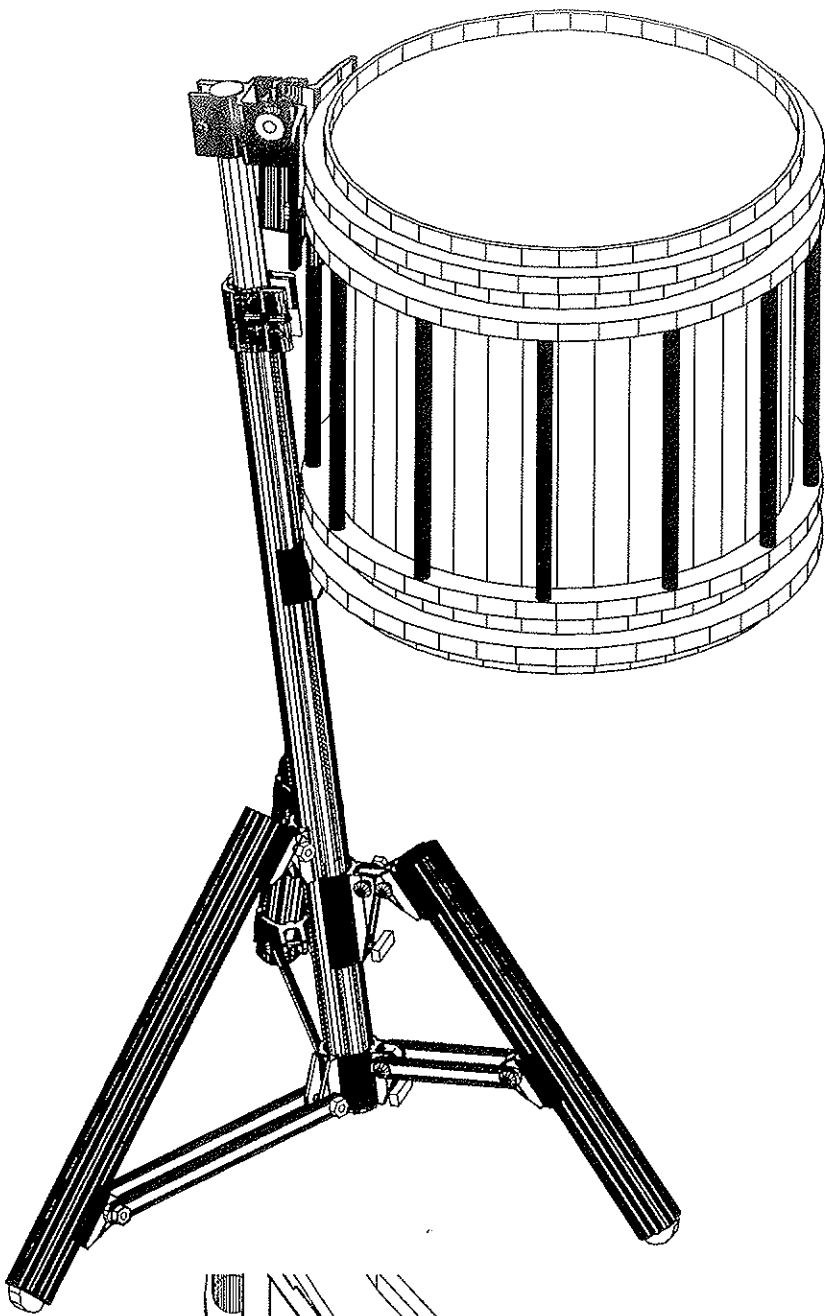


MAY

STADIUM HARDWARE
SNARE DRUM (YAMAHA)

RM-SHS-Y

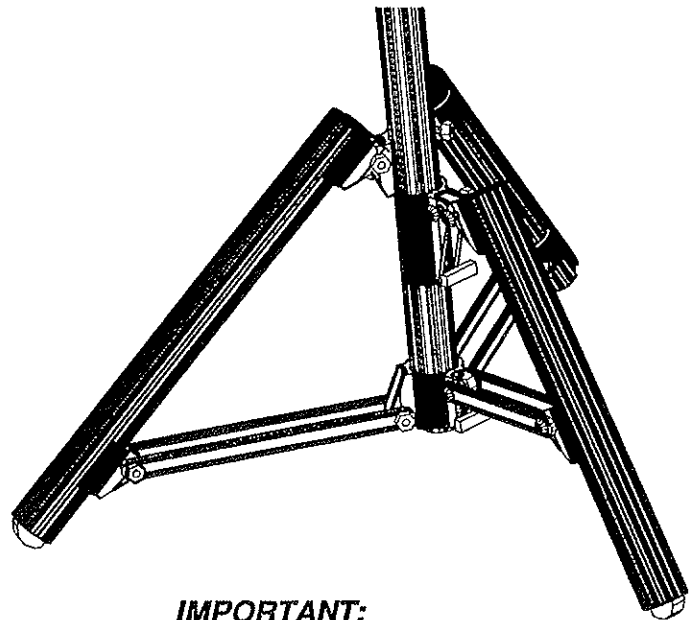
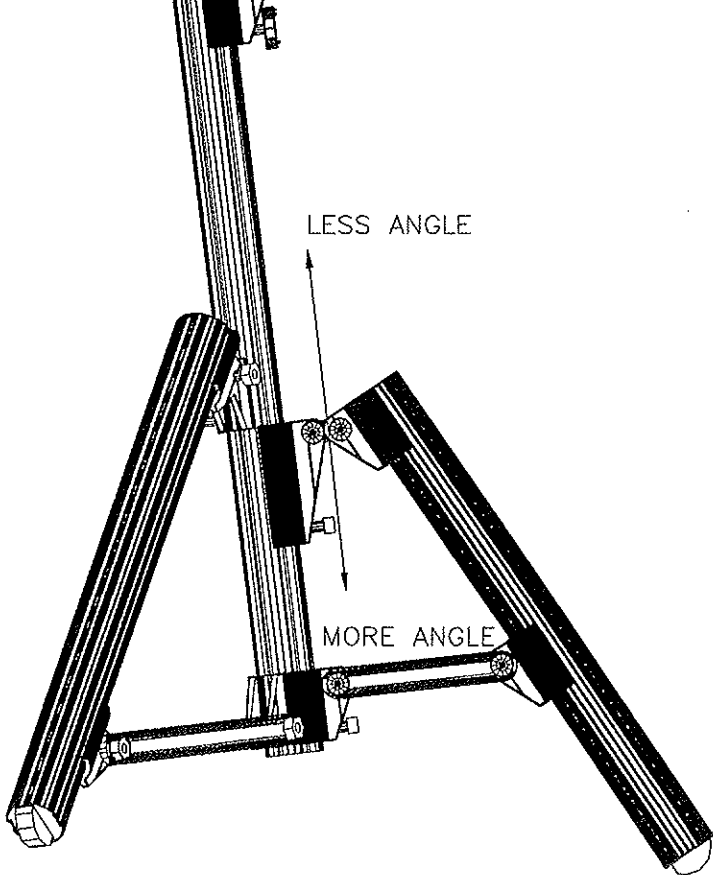
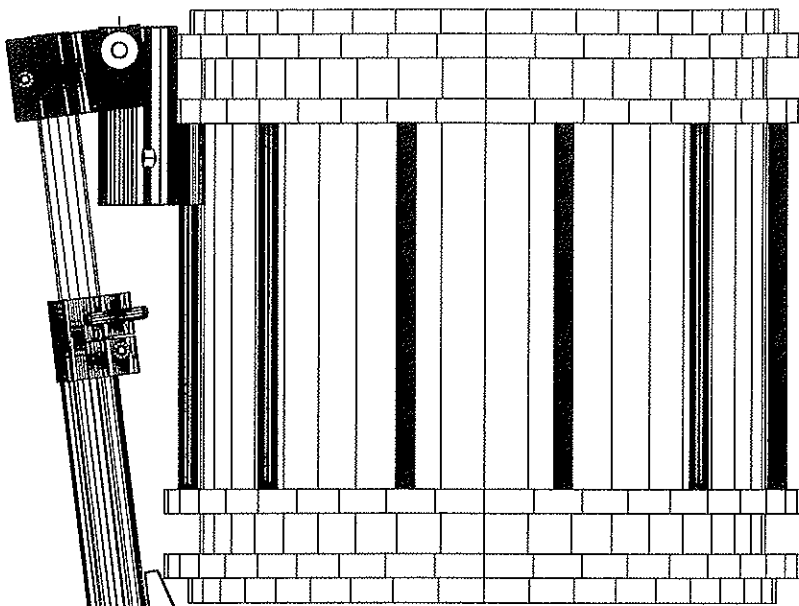


SHYSS1

MAY

STADIUM HARDWARE
SNARE DRUM (YAMAHA)

RM-SHS-Y

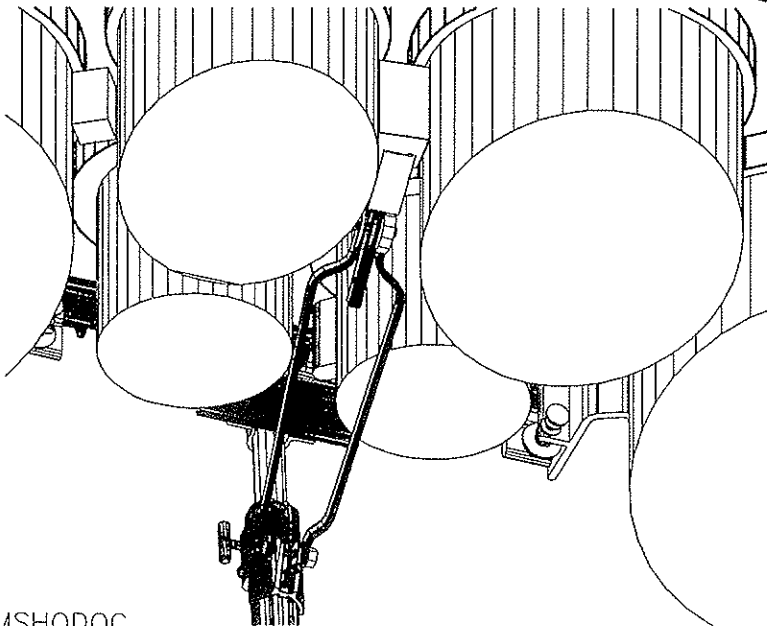
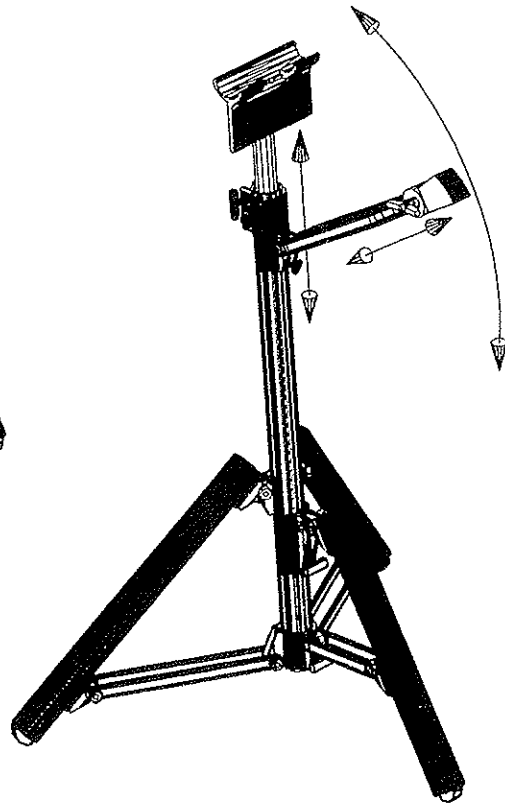


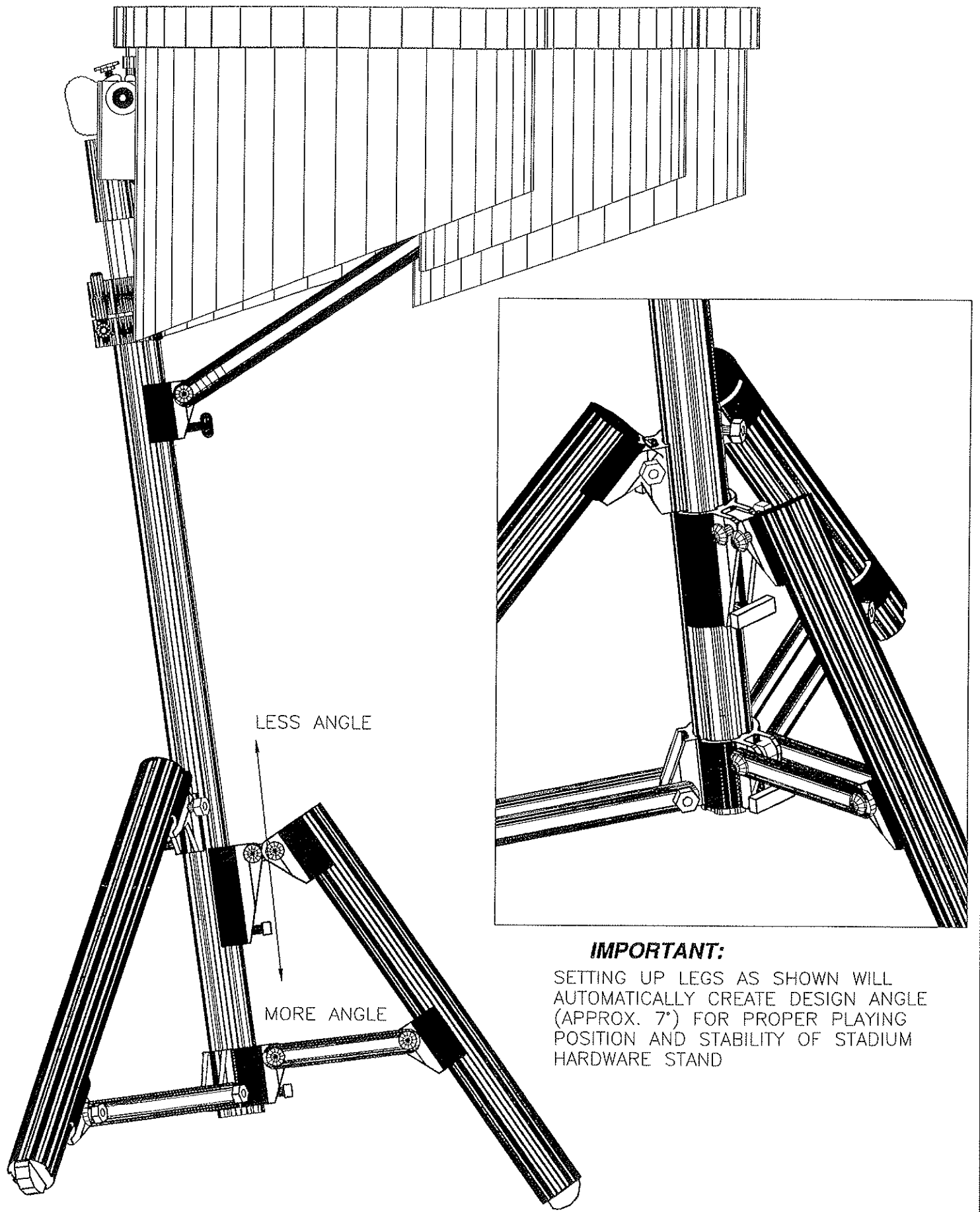
IMPORTANT:

SETTING UP LEGS AS SHOWN WILL
AUTOMATICALLY CREATE DESIGN ANGLE
(APPROX. 7°) FOR PROPER PLAYING
POSITION AND STABILITY OF STADIUM
HARDWARE STAND

MAY

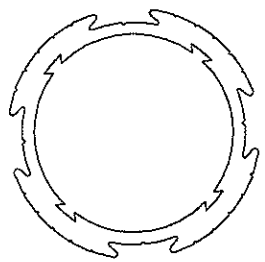
STADIUM HARDWARE
TENOR DRUM
RM-SHQ



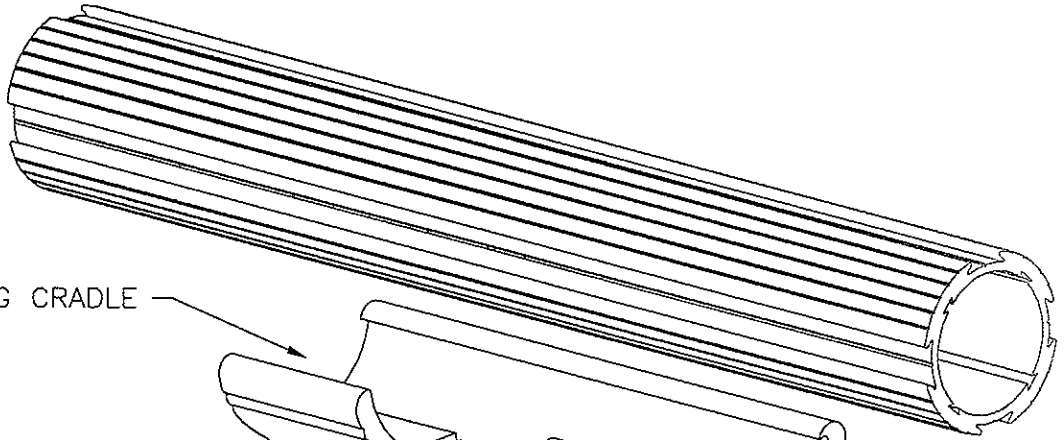


IMPORTANT:

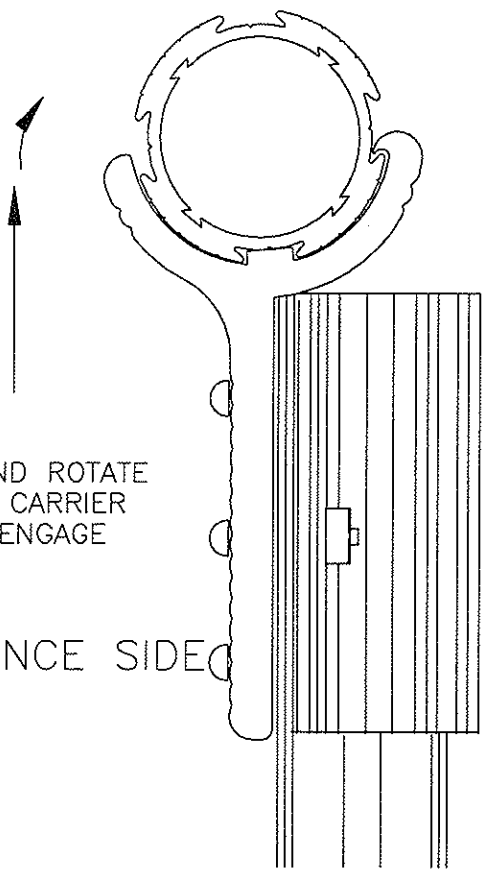
SETTING UP LEGS AS SHOWN WILL AUTOMATICALLY CREATE DESIGN ANGLE (APPROX. 7°) FOR PROPER PLAYING POSITION AND STABILITY OF STADIUM HARDWARE STAND



TENOR CARRIER TUBE



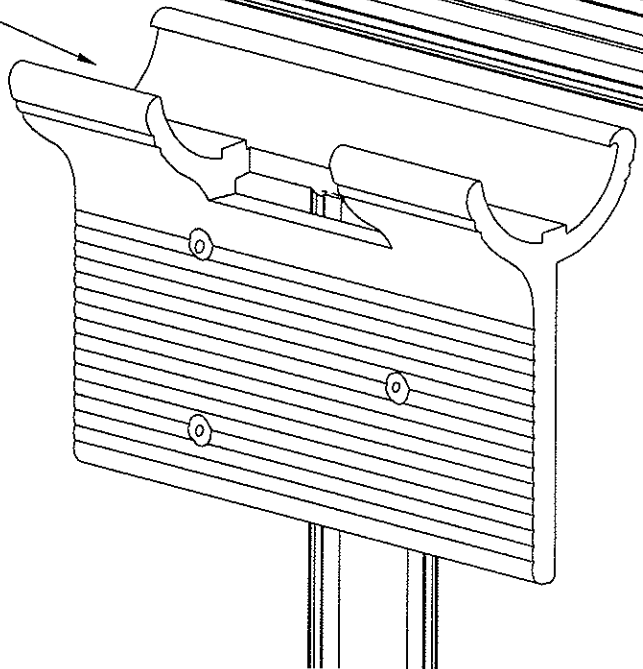
DOCKING CRADLE



LIFT AND ROTATE
TENOR CARRIER
TO DISENGAGE

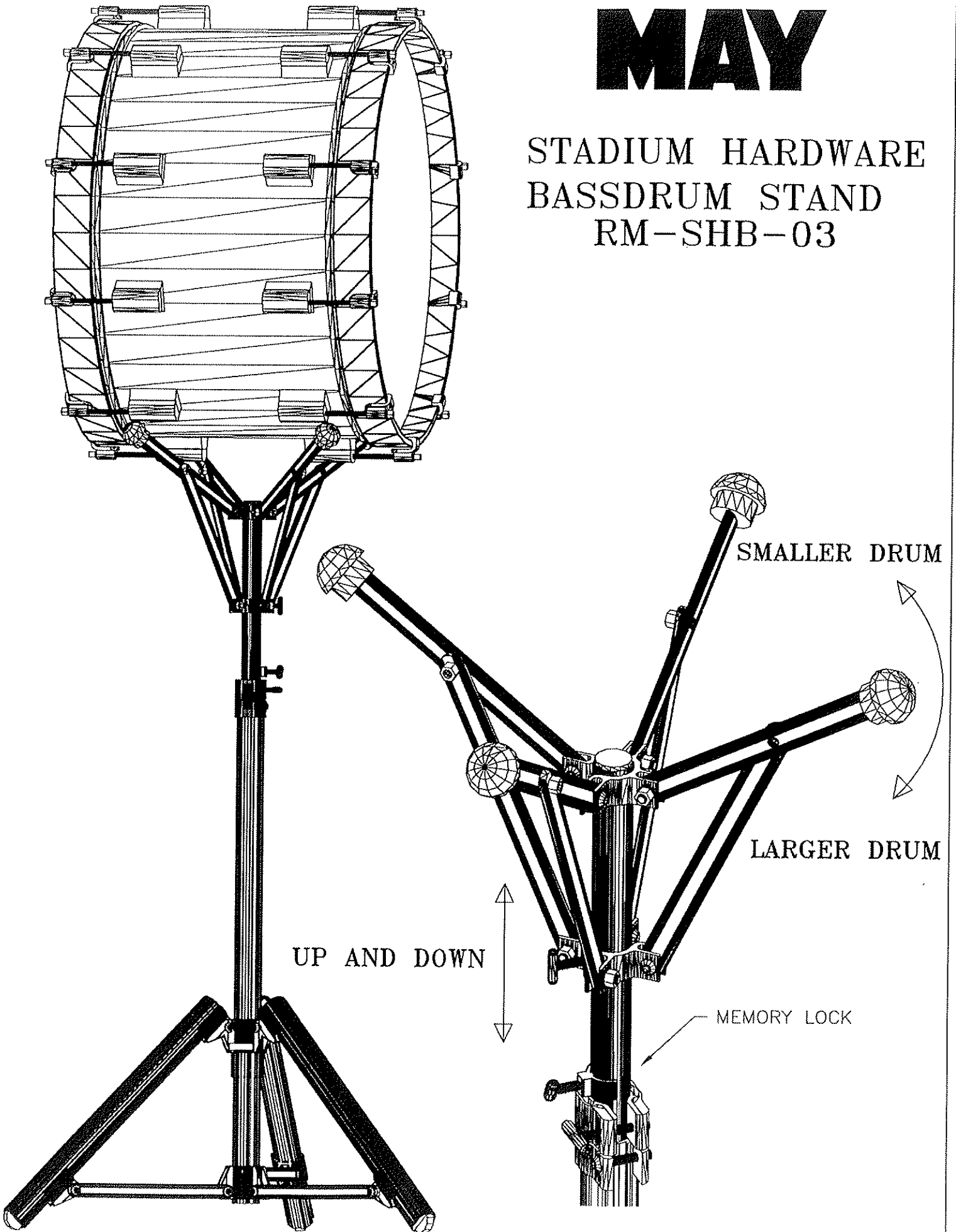
AUDIENCE SIDE

PLAYERS SIDE



MAY

STADIUM HARDWARE BASSDRUM STAND RM-SHB-03



MAY

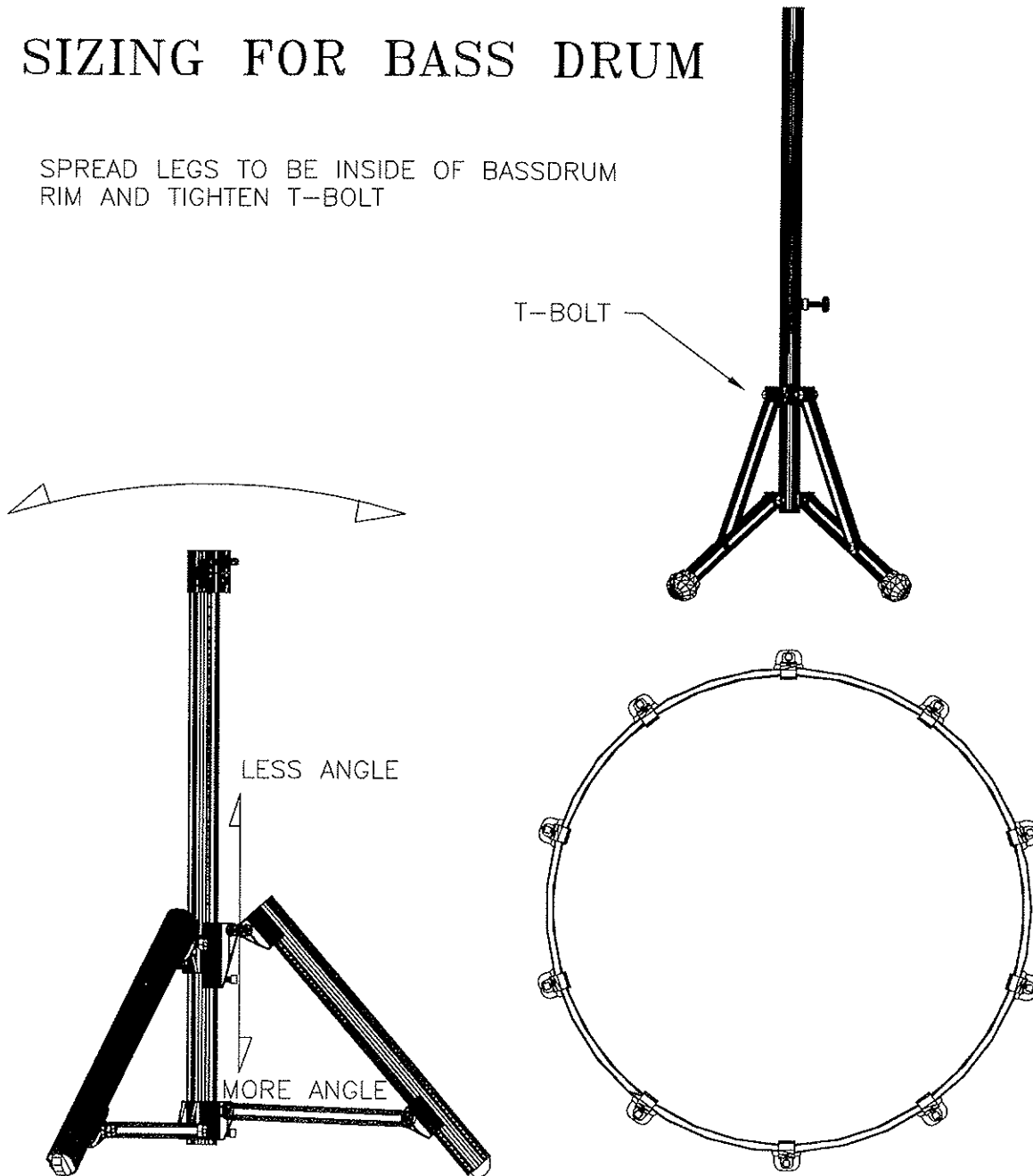
STADIUM HARDWARE BASSDRUM STAND

RM-SHB-03

SIZING FOR BASS DRUM

SPREAD LEGS TO BE INSIDE OF BASSDRUM RIM AND TIGHTEN T-BOLT

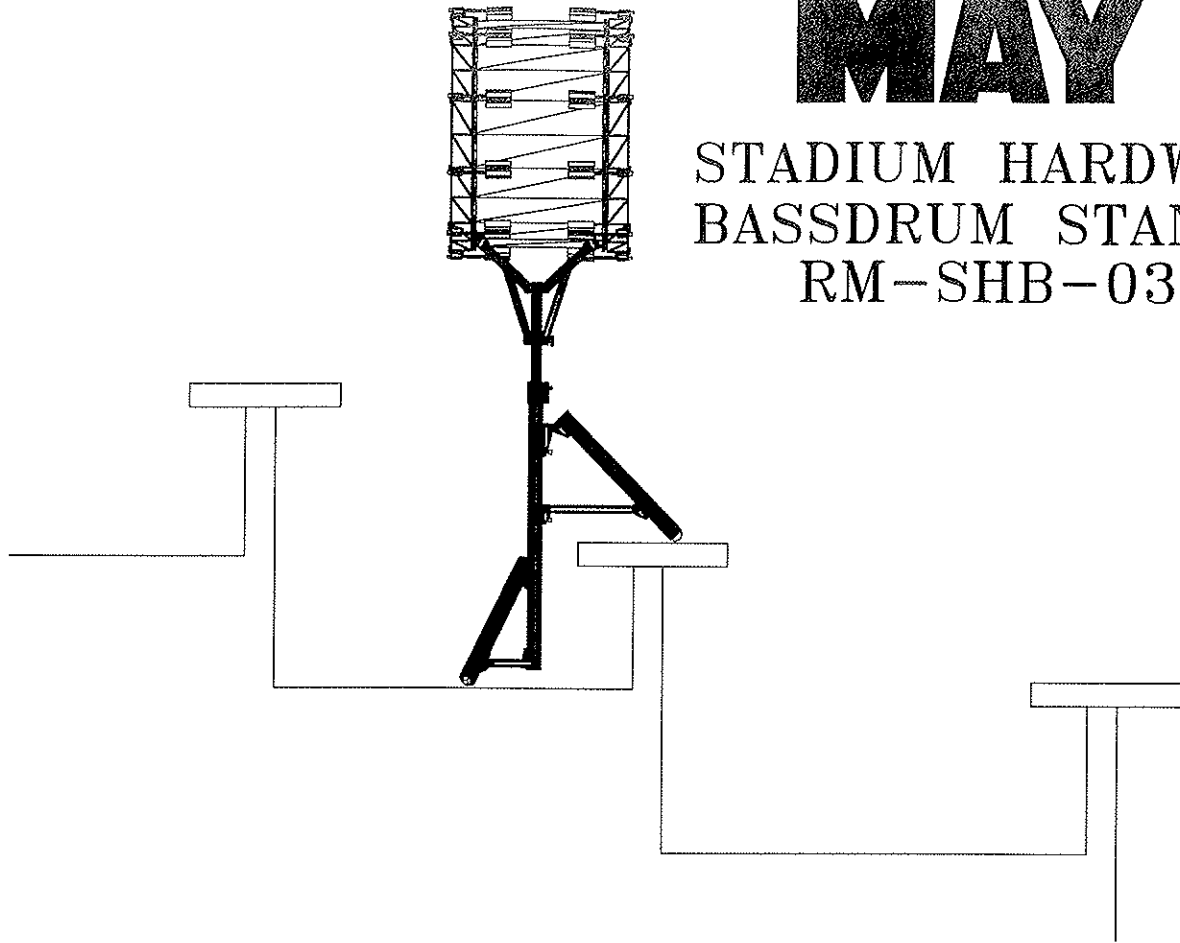
T-BOLT



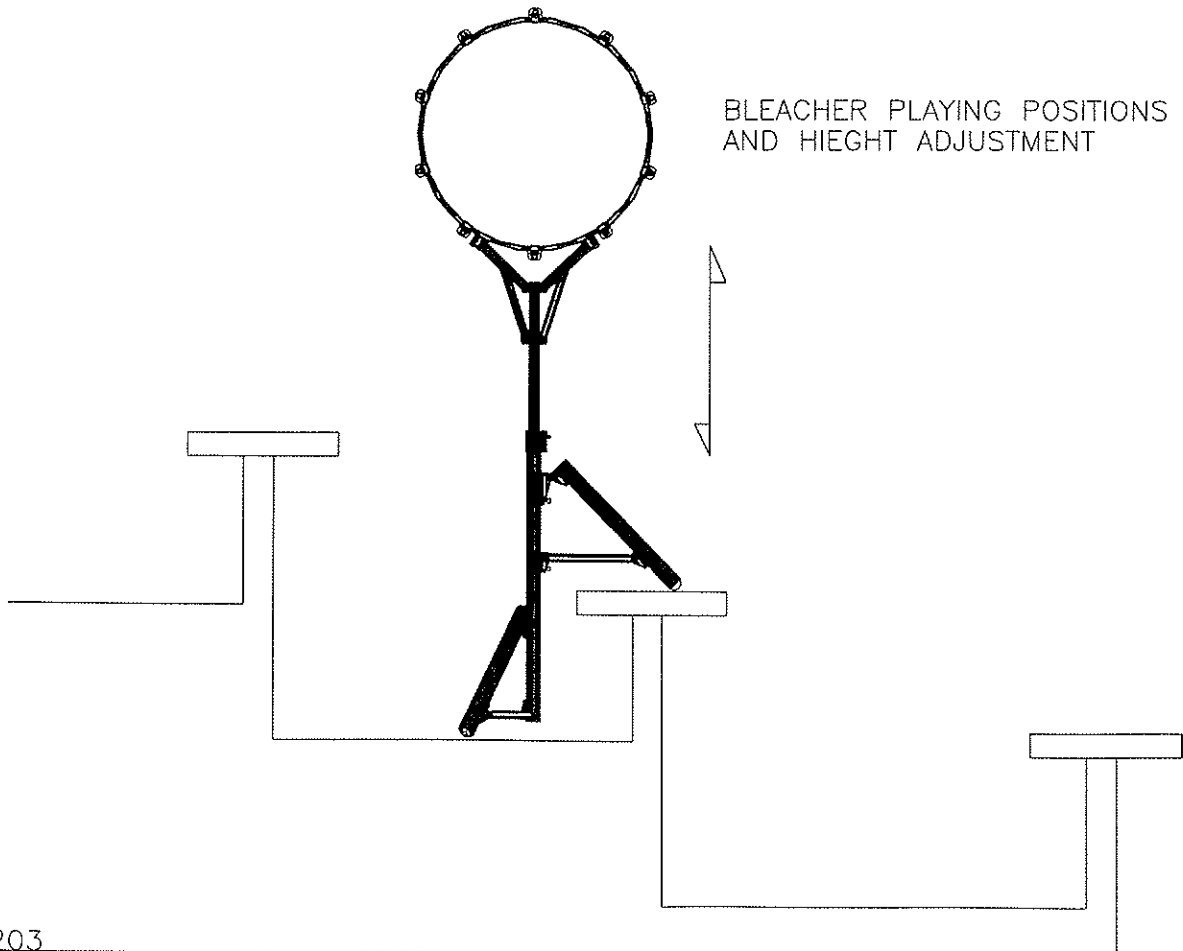
ADJUST LEG TO KEEP BASSDRUM STAND
STRAIGHT UP ON UNEVEN OR SLANTED SURFACE

MAY

STADIUM HARDWARE BASSDRUM STAND RM-SHB-03

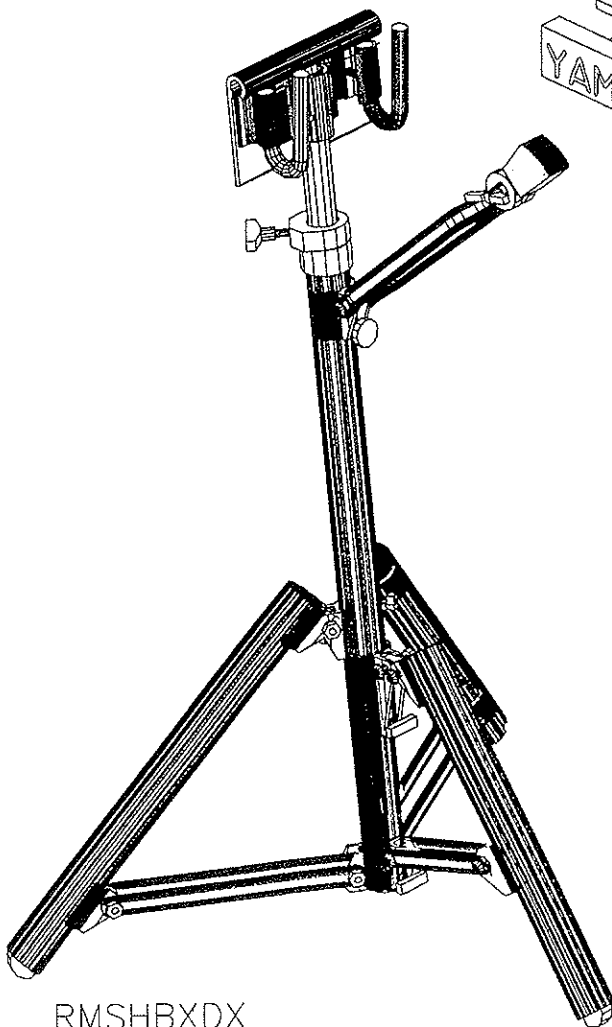
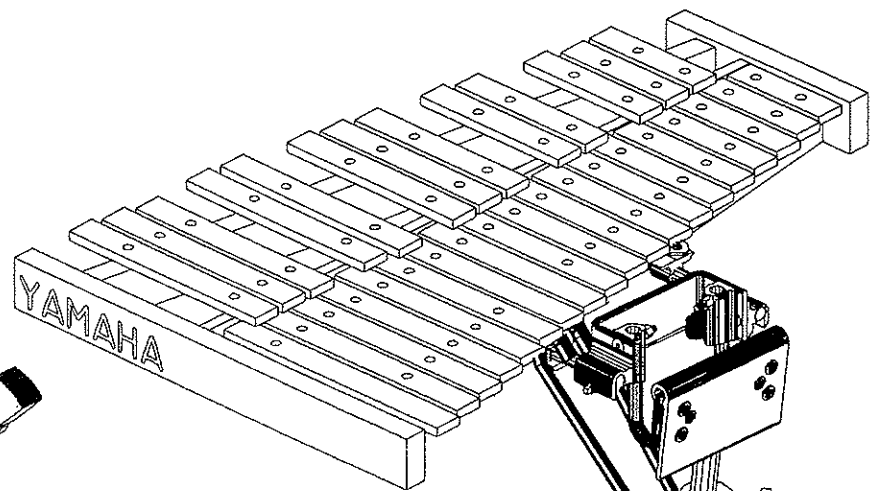
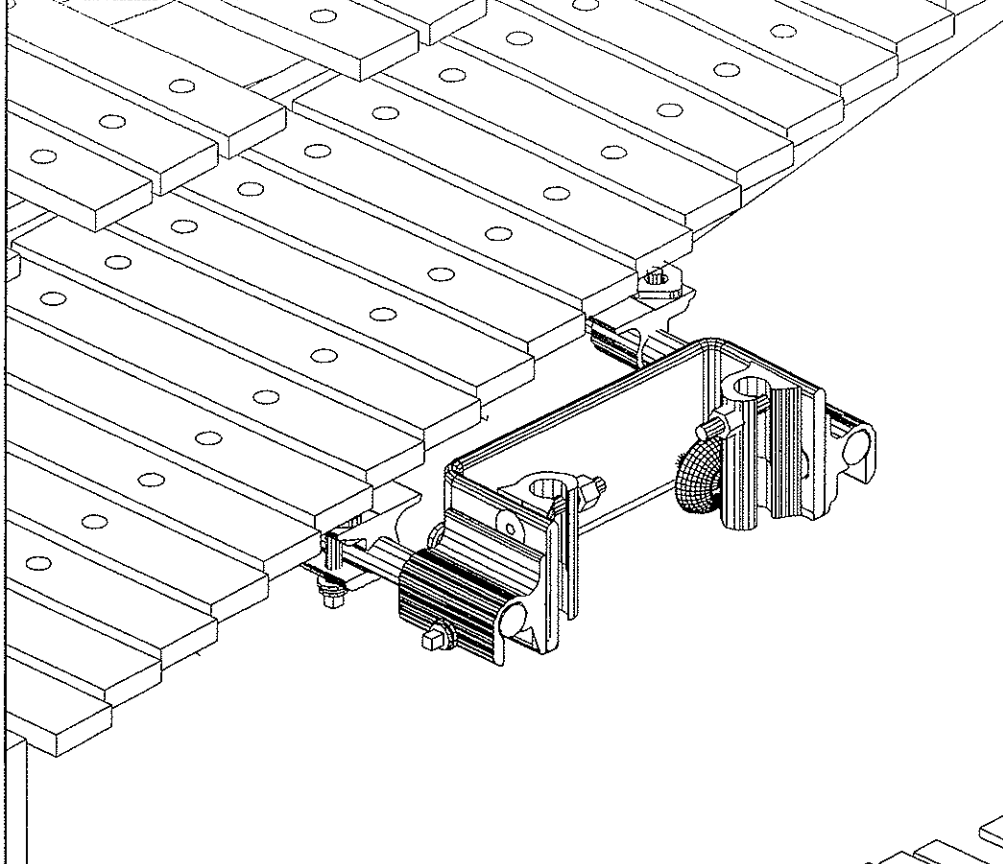


BLEACHER PLAYING POSITIONS SHOWN
AND HIEGHT ADJUSTMENT

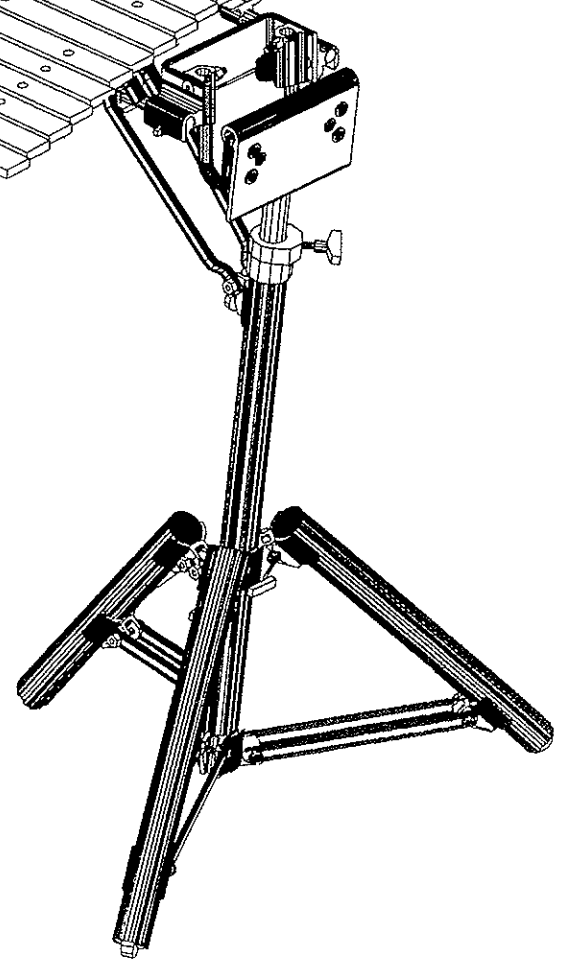


MAY

STADIUM HARDWARE
BELL/XYLOPHONE
RM-SH-BX

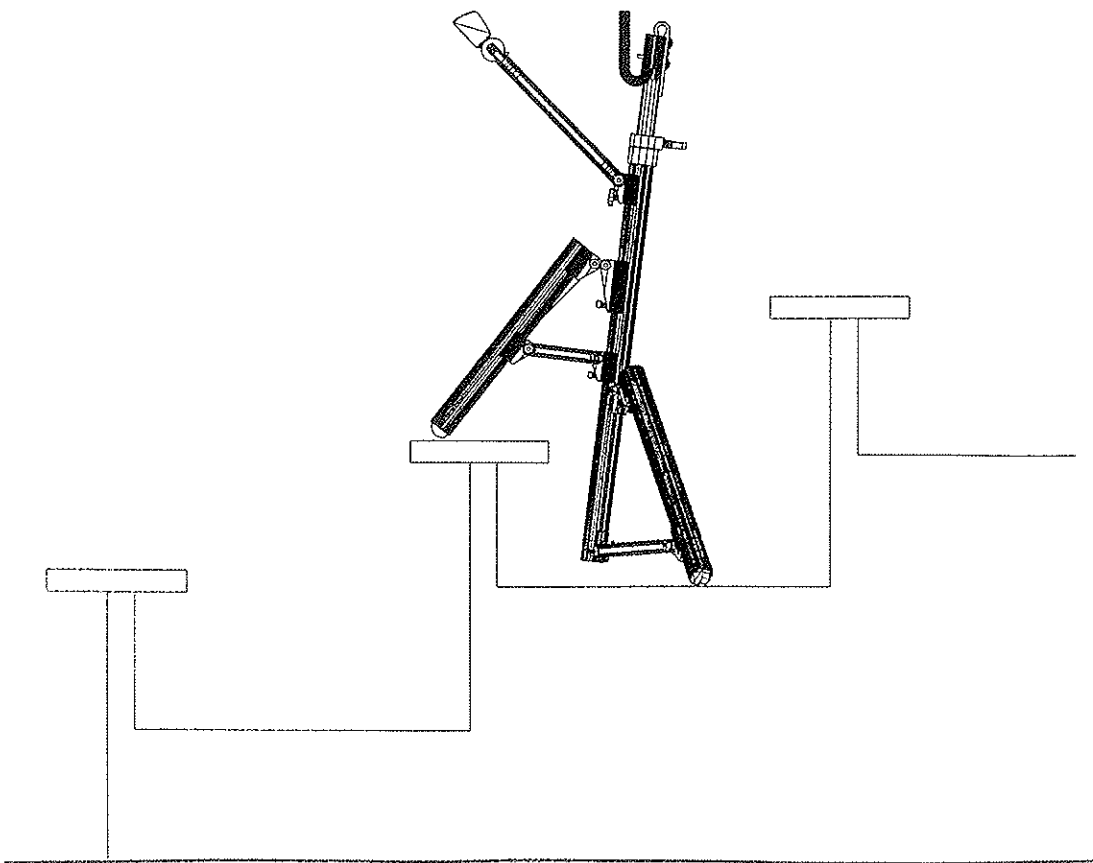
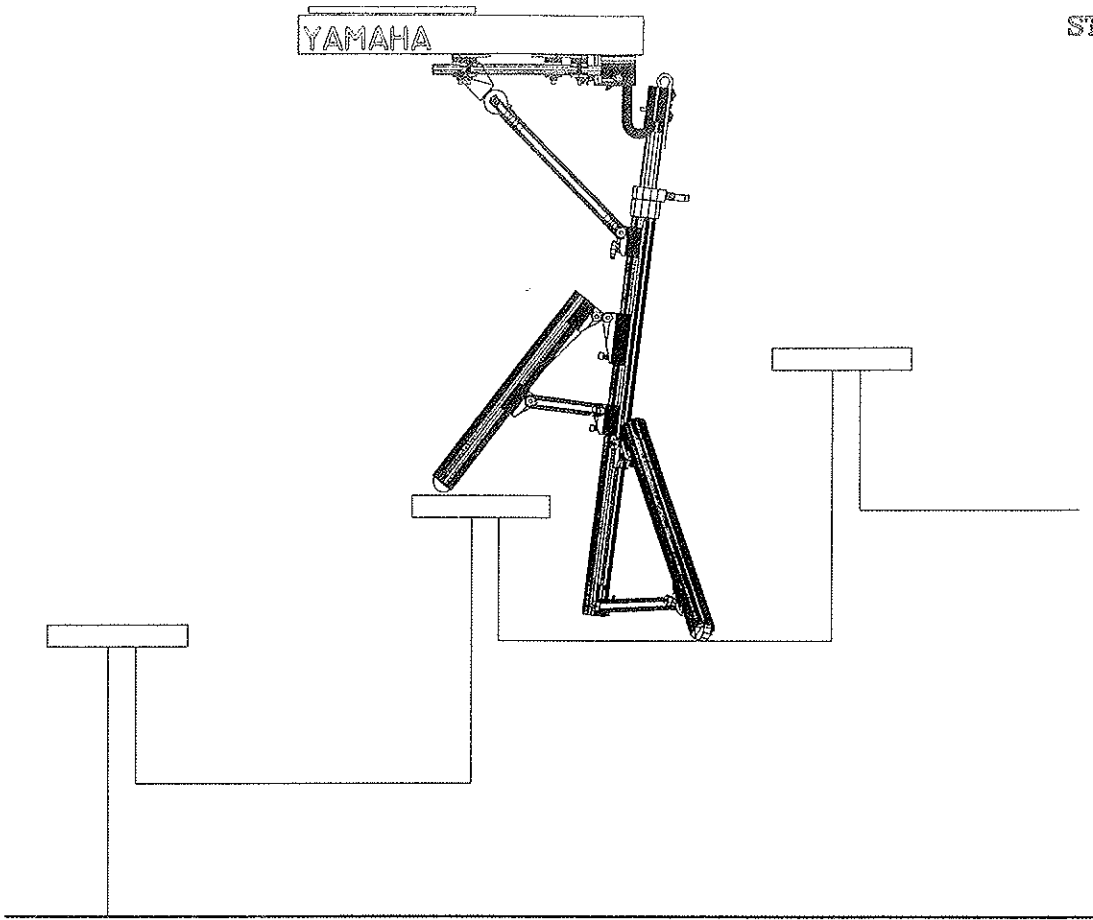


RM-SH-BXDX



MAY

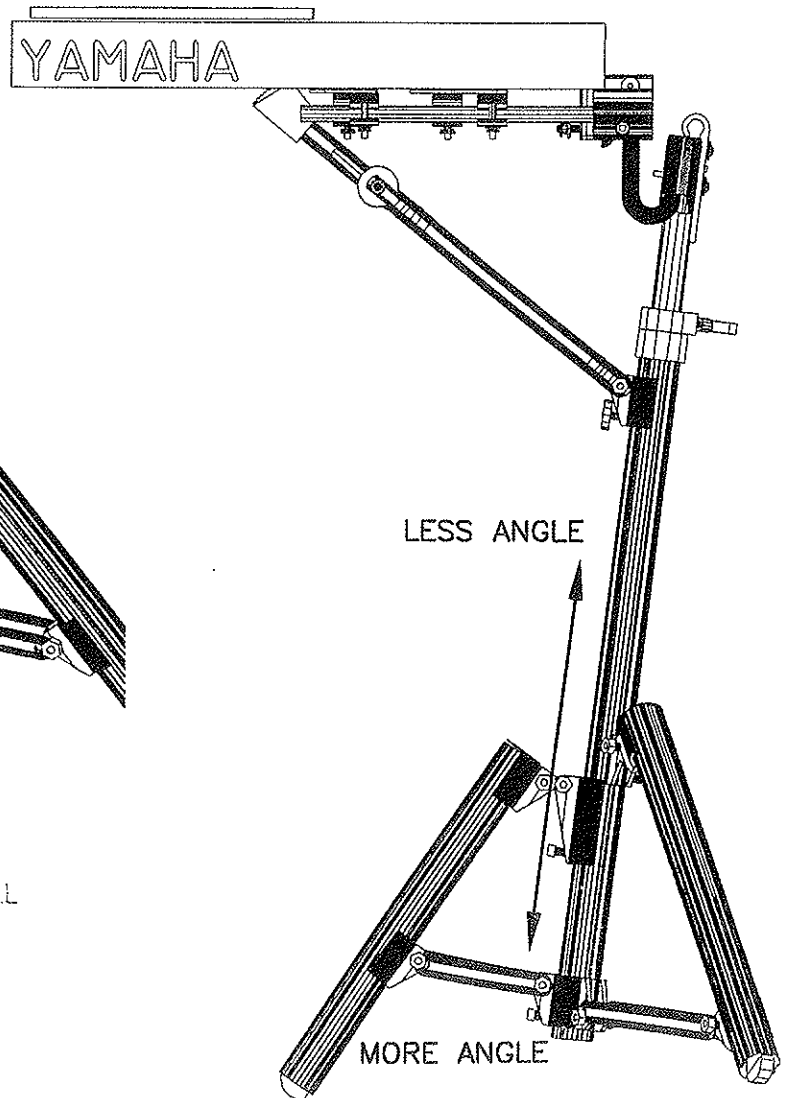
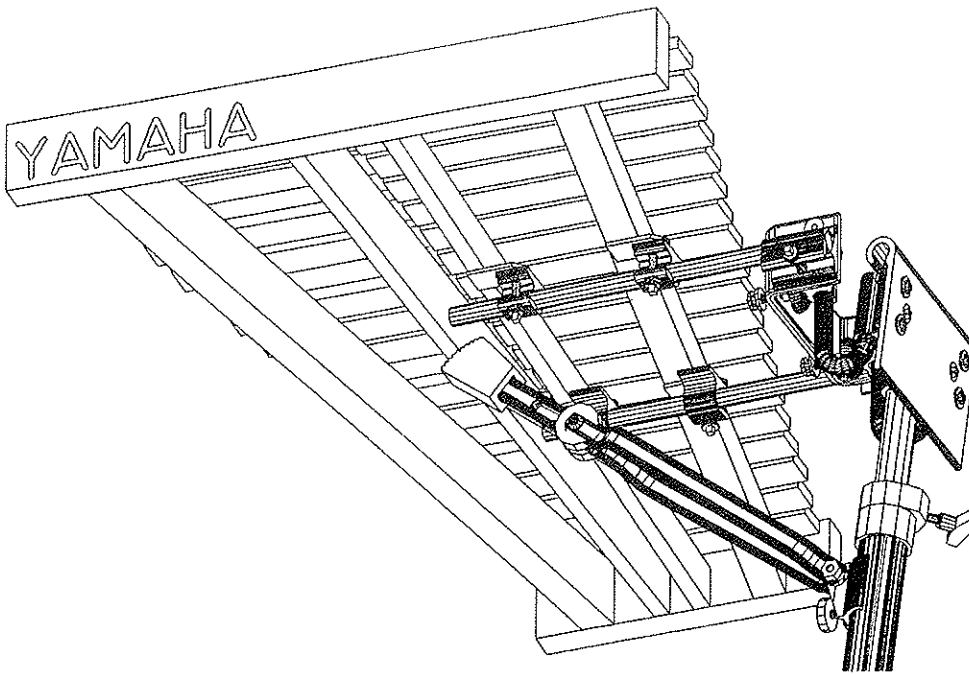
STADIUM HARDWARE
BELL/XYLOPHONE
RM-SH-BX



RMSHBXBL

MAY

STADIUM HARDWARE
BELL/XYLOPHONE
RM-SH-BX



IMPORTANT:

SETTING UP LEGS AS SHOWN WILL
AUTOMATICALLY CREATE DESIGN
ANGLE (APPROX. 7 DEG.) FOR
PROPER PLAYING POSITION
AND STABILITY OF STADIUM
HARDWARE STAND.

RMSHBXA2