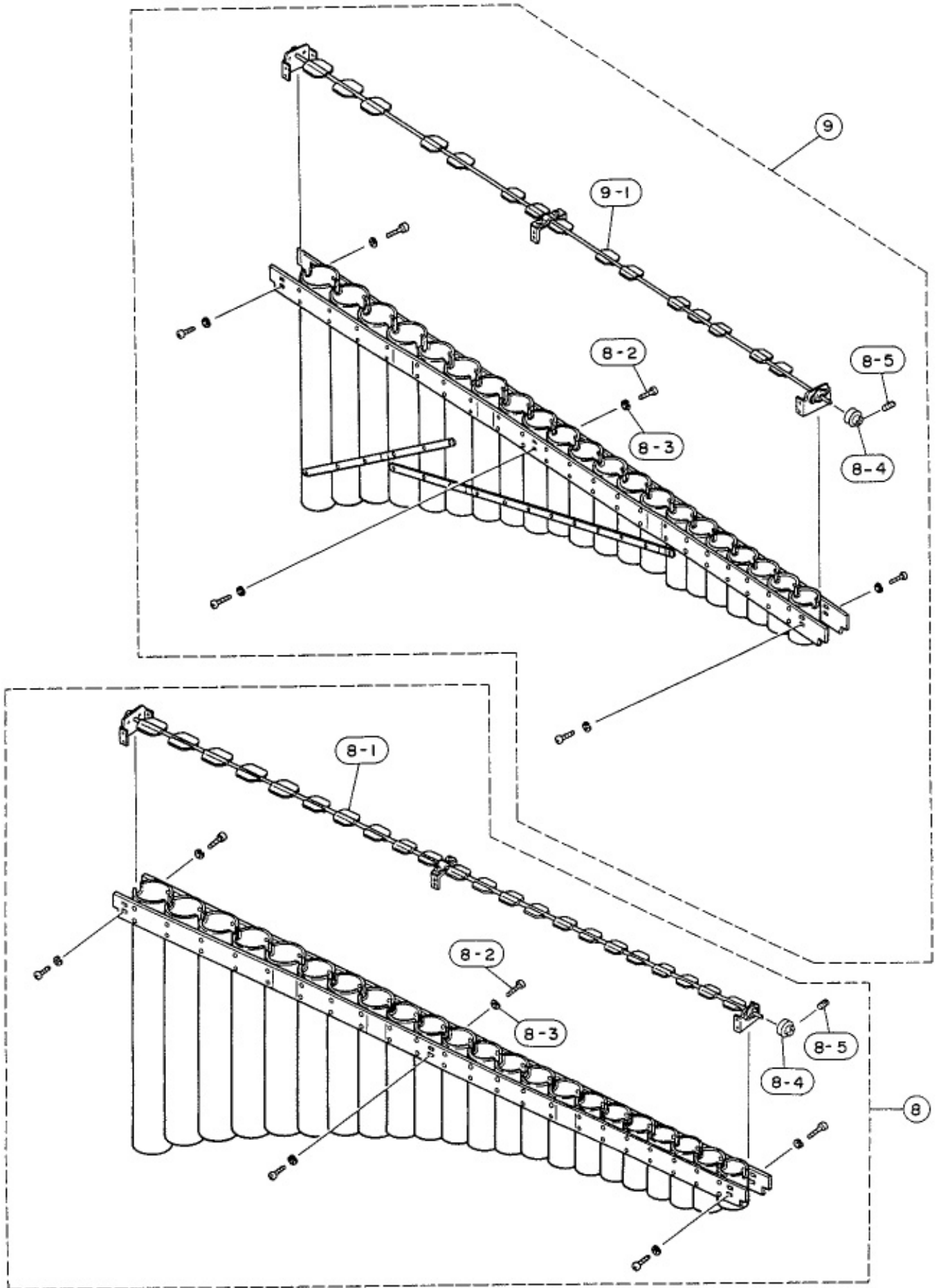
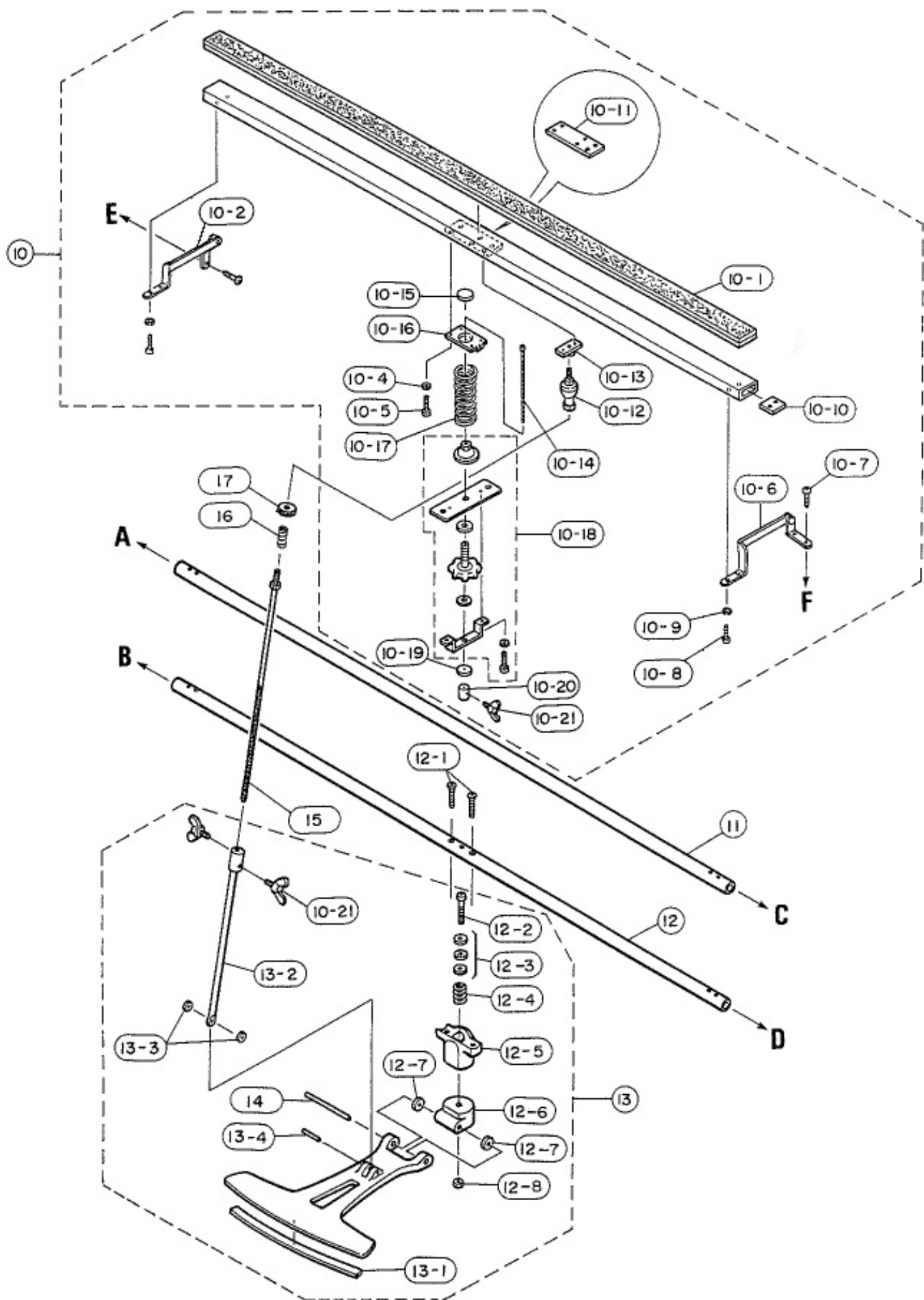


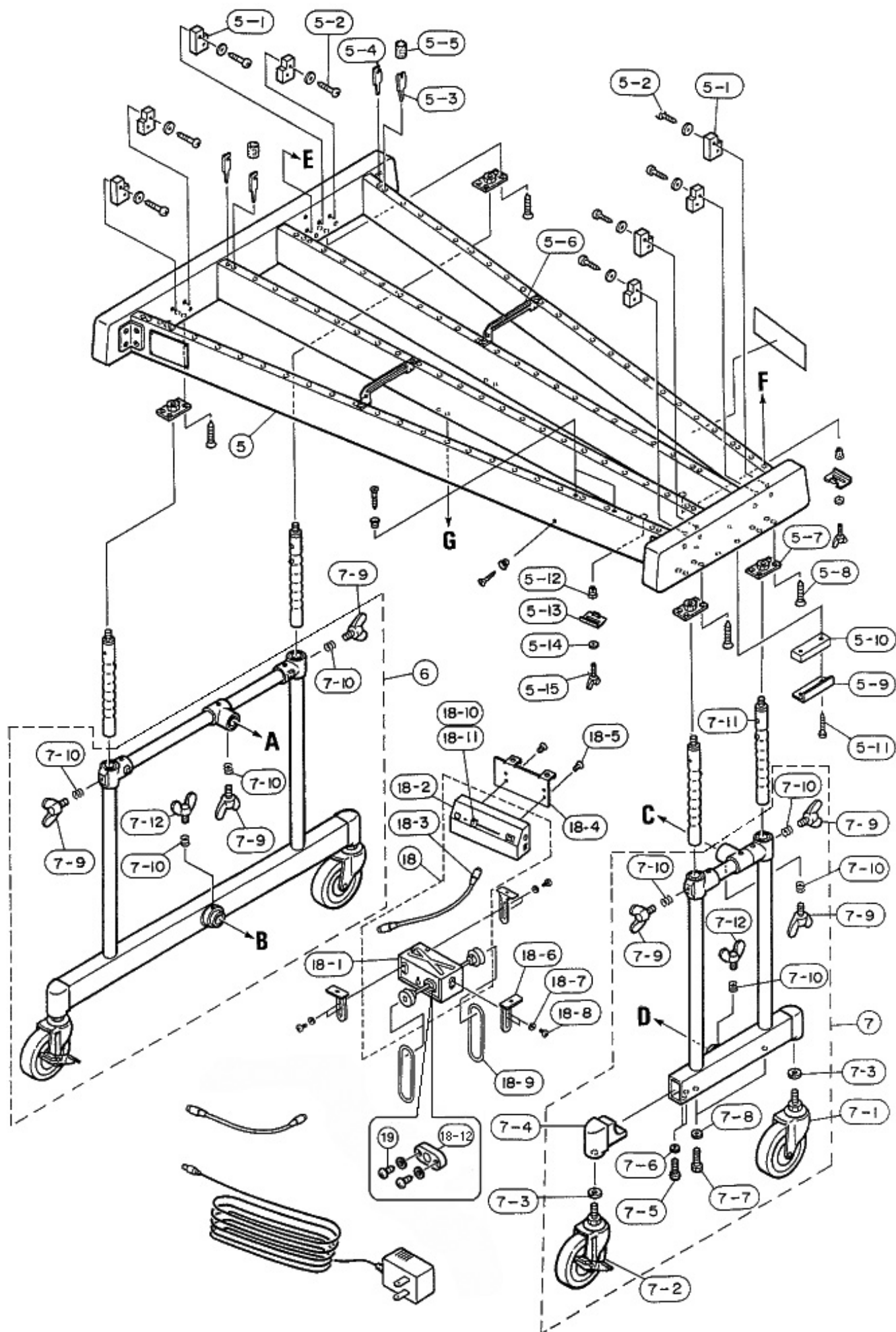
Model Name : YV-2700



Model Name : YV-2700



Model Name : YV-2700



Model Name : YV-2700

Ref No.	Parts No.(ChangeNo.)	English Name	Minimum Delivery	Accept order or not
1	W5043501	TONE BAR NATURAL ASSY YV2700	1 PC	
1-1	W5043511	TONE BAR F33 YV2700	1 PC	
1-10	W5043600	TONE BAR A49 YV2600,2700	1 PC	
1-11	W5043610	TONE BAR B51 YV2600,2700	1 PC	
1-12	W5043620	TONE BAR C52 YV2600,2700	1 PC	
1-13	W5043630	TONE BAR D54 YV2600,2700	1 PC	
1-14	W5043640	TONE BAR E56 YV2600,2700	1 PC	
1-15	W5043650	TONE BAR F57 YV2600,2700	1 PC	
1-16	W5043660	TONE BAR G59 YV2600,2700	1 PC	
1-17	W5043670	TONE BAR A61 YV2600,2700	1 PC	
1-18	W5043680	TONE BAR B63 YV2600,2700	1 PC	
1-19	W5043690	TONE BAR C64 YV2600,YV2700	1 PC	
1-2	W5043520	TONE BAR G35 YV2600,2700	1 PC	
1-20	W5043700	TONE BAR D66 YV2600,YV2700	1 PC	
1-21	W5043710	TONE BAR E68 YV2600,YV2700	1 PC	
1-22	W5043720	TONE BAR F69 YV2600,YV2700	1 PC	
1-3	W5043530	TONE BAR A37 YV2600,2700	1 PC	
1-4	W5043540	TONE BAR B39 YV2600,2700	1 PC	
1-5	W5043550	TONE BAR C40 YV2600,2700	1 PC	
1-6	W5043560	TONE BAR D42 YV2600,2700	1 PC	
1-7	W5043570	TONE BAR E44 YV2600,2700	1 PC	
1-8	W5043580	TONE BAR F45 YV2600,2700	1 PC	
1-9	W5043590	TONE BAR G47 YV2600,2700	1 PC	
10	W5325101	SUSTAIN DAMPER BAR ASS'Y YV2700	1 PC	
10-1	W5325105	SUSTAIN DAMPER CUSHION YV2700	1 PC	
10-10	W5330109	SUSTAIN DAMPER NUT YV2700	1 PC	
10-11	W5325107	Sustain Damper YV3200A/3200AJ	1 PC	
10-12	W5325115	ROD CONNECTER YV2700G/2700	1 PC	
10-13	W5325104	ROD CONNECTOR HOLDER YV2700	1 PC	
10-14	W5110821	DAMPER WIRE YV2700	1 PC	
10-15	W5110791	CUSHION (1) BLACK FELT YV-2700	1 PC	
10-16	W5110781	DAMPER SPRING STOPPER HOLDER-U YV-2700	1 PC	
10-17	W5110870	DAMPER SPRING YV-1600	1 PC	
10-18	W5325200	DAMPER ADJUSTING ASS'Y YV2700	1 PC	
10-19	W5110771	RUBBER (2) BLACK YV-2700	1 PC	
10-2	W5330104	SUSTAIN DAMPER ARM (LEFT) YV3700	1 PC	
10-20	W5185108	WIRE CLIP YV-3200AJ,YV-3710,YV2700	1 PC	
10-21	W5127891	WING BOLT M6X10 YV2700	1 PC	
10-4	EV300046	SPRING WASHER 4.0MM	1 PACK(6PC/PACK)	
10-5	W5234140	ALLEN HEAD SCREW 4X15 YV2700	1 PC	

Model Name : YV-2700

Ref No.	Parts No.(ChangeNo.)	English Name	Minimum Delivery	Accept order or not
10-6	W5330105	DAMPER ARM ASS'Y YV-2700	1 PC	
10-7	EQ335206	ROUND HEAD WOOD SCREW 3.5X20	1 PACK(6PC/PACK)	
10-8	EA040146	PAN HEAD SCREW 4.0X14	1 PACK(6PC/PACK)	
10-9	EV300046	SPRING WASHER 4.0MM	1 PACK(6PC/PACK)	
11	W5329001	STEY YV2700	1 PC	
12	W5326001	PEDAL STEY YV2700	1 PC	
12-1	W5000150	OVAL HEAD SCREW(ST) M6X45 YV2700	1 PC	
12-2	W5000160	ALLEN HEAD BOLT M8X45 YV3200A	1 PC	
12-3	W5326007	THRUST BEARING YV3200A,YV3710JM BT8-16	1 PC	
12-4	W5326006	SPRING YV3200A	1 PC	
12-5	W5326002	PEDAL MOUNT (1) YV2700G/2700	1 PC	
12-6	W5326003	PEDAL MOUNT (2) YV2700G/2700	1 PC	
12-7	W5166010	WASHER YV-2700	1 PC	
12-8	EV100806	HEXAGONAL NUT M8 ZMC2BL YV	1 PACK(6PC/PACK)	
13	W5330115	SUSTAIN DAMPER PEDAL YV2700/2700G	1 PC	
13-1	W5151410	PEDAL CUSHION YV2700G/YV3710JM	1 PC	
13-2	W5327002	PEDAL ROD YV-3200AJ/YV2700	1 PC	
13-3	W5165119	PEDAL BUSHING YV-3200	1 PC	
13-4	W5167005	PEDAL ROD PIN YV-3200A	1 PC	
14	W6590400	PEDAL FULCRUM SHAFT TP5XXX	1 PC	
15	W5327004	CENTER ROD YV2700	1 PC	
16	W5330126	SUSTAIN DAMPER SPRING-SMALL YV2700	1 PC	
17	W5150106	NUT YV2700	1 PC	
18	W5170400	YVM-200 ASS'Y YV1600A/3000A	1 PC	
18-1	W5170409	MOTOR YVM-200 YV1600A/2700/2700G	1 PC	
18-10	W5170210	CONTROLLER KNOB YV3600AJ-1600AJ	1 PC	
18-11	VT953600	VR 75MM B10K	1 PC	
18-12	VS262600	motor holder (without screw)	1 PC.	
18-2	W5170200	CONTROLLER UNIT YV3600A--1600A	1 PC	
18-3	W5172200	8P-DIN CABLE L=220 YV3600A--1600A	1 PC	
18-4	W5170440	CONTROLLER MOUNTING PLATE YV3000A	1 PC	
18-5	EB330046	FLAT HEAD SCREW(ST) 3X4	1 PACK(6PC/PACK)	
18-6	W5170420	LEG ASS'Y YV1600A,3700	1 PC	
18-7	EV303046	SPRING WASHER 4.0MM	1 PACK(6PC/PACK)	
18-8	EA330046	PAN HEAD SCREW 3.0X4(ST)	1 BAG	
18-9	W5128041	Plastic Vibraphone Belts for YV2700	1 PC	
19	VS262601	Bearing holder Screw(with spring washer)	1 PC	
2	W5093000	TONE BAR ASS'Y (ACCIDENTAL) YV2700	1 PC	
2-1	W5093010	TONE BAR 34K F# YV2500,YV2700	1 PC	
2-10	W5093100	TONE BAR 55K D# YV2500,YV2700	1 PC	

Model Name : YV-2700

Ref No.	Parts No.(ChangeNo.)	English Name	Minimum Delivery	Accept order or not
2-11	W5093110	TONE BAR 58K F# YV2500 ,YV2700	1 PC	
2-12	W5093120	TONE BAR 60K G# YV2500 ,YV2700	1 PC	
2-13	W5093130	TONE BAR 62K A# YV2500 ,YV2700	1 PC	
2-14	W5093140	TONE BAR 65K C# YV2500 ,YV2700	1 PC	
2-15	W5093150	TONE BAR 67K D# YV2500 ,YV2700	1 PC	
2-2	W5093020	TONE BAR 36K G# YV2500 ,YV2700	1 PC	
2-3	W5093030	TONE BAR 38K A# YV2500 ,YV2700	1 PC	
2-4	W5093040	TONE BAR 41K C# YV2500 ,YV2700	1 PC	
2-5	W5093050	TONE BAR 43K D# YV2500 ,YV2700	1 PC	
2-6	W5093060	TONE BAR 46K F# YV2500 ,YV2700	1 PC	
2-7	W5093070	TONE BAR 48K G# YV2500 ,YV2700	1 PC	
2-8	W5093080	TONE BAR 50K A# YV2500 ,YV2700	1 PC	
2-9	W5093090	TONE BAR 53K C# YV2500 ,YV2700	1 PC	
3	W5110310	TONE BAR SUS.CORD(BRAIDED VINYLON)YV2500	1 PC	
4	W5110010	CODE TENSION SPRING (L) YT,YV	1 PC.	
5	W5128810	FRAME ASS'Y YV2700	1 PC	
5-1	W5183107	RESONATOR MOUNT YV3700	1 PC	
5-10	W5300051	MOTOR MOUNTING RUBBER YV2700	1 PC	
5-11	EQ335256	ROUND HEAD WOOD SCREW 3.5X25	1 PACK(6PC/PACK)	
5-12	W0376304	NUT MBL32	1 PC	
5-13	W5170260	MOTOR HOLDING PLATE YV2700 ,3200A	1 PC	
5-14	EV203066	PLAIN WASHER 6.0MM	1 PACK(6PC/PACK)	
5-15	W5180110	WING BOLT YV1500	1 PC	
5-2	EQ335326	ROUND HEAD WOOD SCREW 3.5X32	1 BAG	
5-3	W5130520	TONE BAR SUSPENTION POST H YX360	1 PC	
5-4	W5130540	TONE BAR SUSPENTION POST K YV2500	1 PC	
5-5	W5130710	RUBBER INSULATOR 10X14 YT300D.600D	10 PC	
5-6	W5110680	RAIL CRAMP (2) YV-1600	1 PC	
5-7	W5110711	LEG MOUNT YV-1600A	1 PC	
5-8	EP351452	FLAT HEAD WOOD SCREW 5.1X45	1 PACK(2PC/PACK)	
5-9	W5235120	MOTOR MOUNTING PLATE YV2700	1 PC	
6	W5324100	LEG BASE(LOW TONE END SIDE) YV2700	1 PC	
7	W5324200	LEG BASE(HIGH TONE END SIDE) YV2700	1 PC	
7-1	W5135461	CASTER YM410D	1 PC	
7-10	W5148107	COIL SPRING YV2700/2700G	1 PC.	
7-11	W5114004	SIDE LEG ASS'Y YV2700	1 PC	
7-12	W5127691	WING BOLT M8X18 YV1600A	1 PC.	
7-2	W5135451	CASTER (WITH BRAKE) YM410D	1 PC	
7-3	W5111310	SPRING WASHER YV-1600	1 PC	
7-4	W5334107	CASTER HOLDER YV3200A	1 PC	

