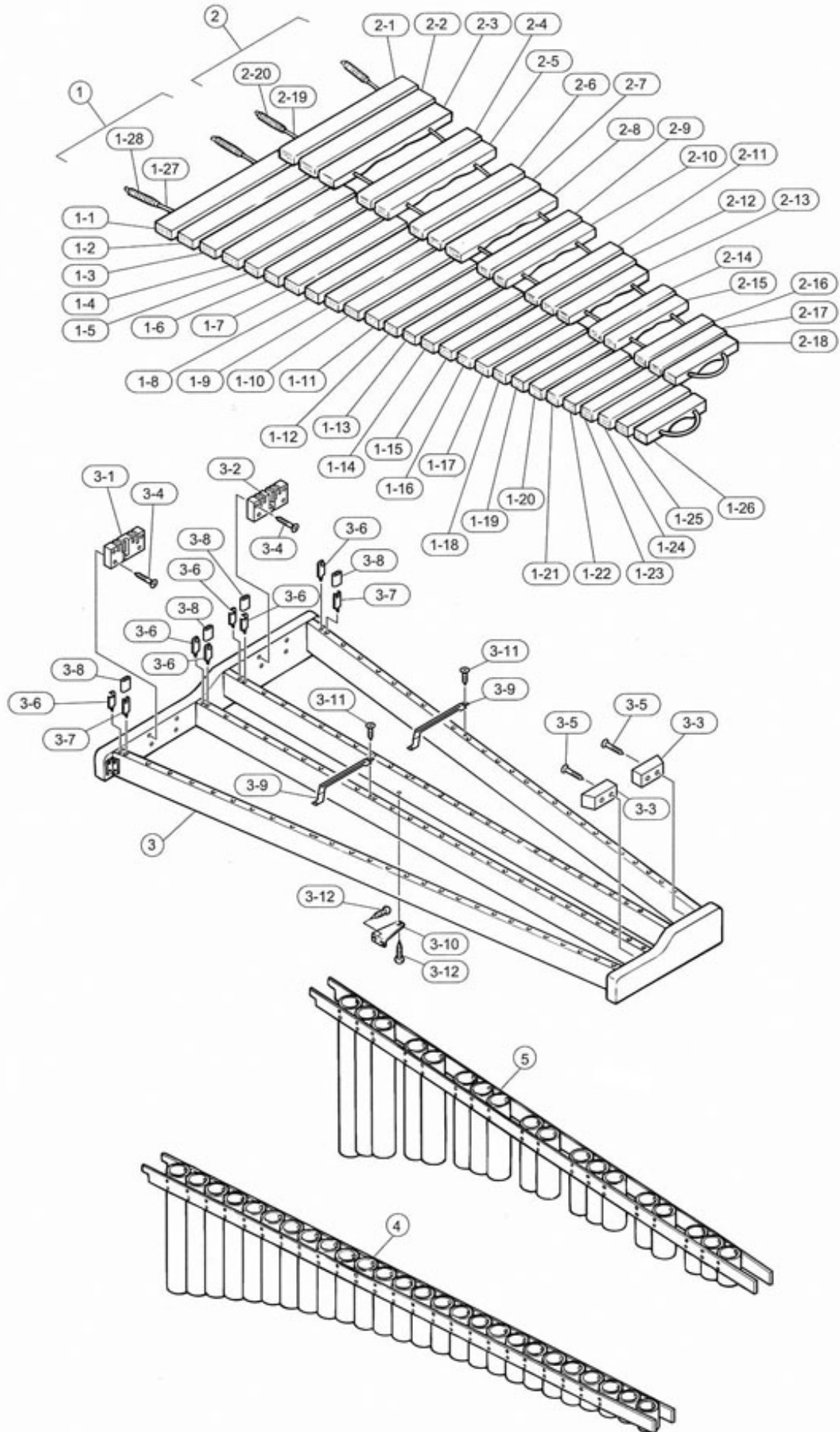
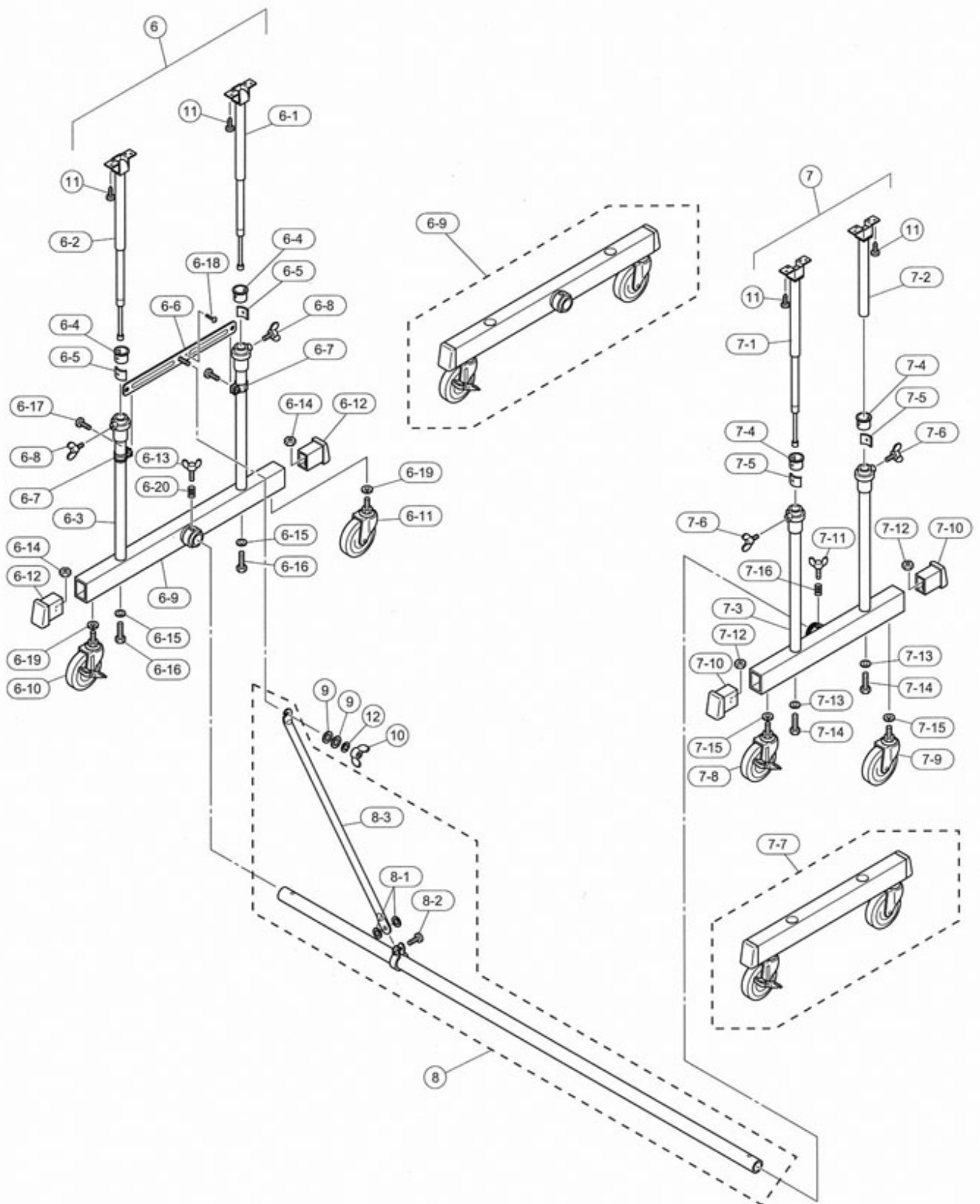


Model Name : YX-500F



Model Name : YX-500F



## Model Name : YX-500F

Ref No.	Parts No.(ChangeNo.)	English Name	Minimum Delivery	Accept order or not
1	W5067201	TONE BAR ASSY(NATURAL) YX500F	1 SET	
1-1	W5067211	TONE BAR 45F L380XW38.1XT23 YX500F	1 PC.	
1-10	W5067301	TONE BAR 61A L2900XW38.1XT23 YX500F	1 PC.	
1-11	W5067311	TONE BAR 63B L280XW38.1XT23 YX500F	1 PC.	
1-12	W5067321	TONE BAR 64C L270XW38.1XT23 YX500F	1 PC.	
1-13	W5067331	TONE BAR 66D L260XW38.1XT23 YX500F	1 PC.	
1-14	W5067342	TONE BAR 68E L250W38.1XT23 YX500F	1 PC.	
1-15	W5067353	TONE BAR 69F L240XW38.1XT23 YX500F	1 PC.	
1-16	W5067361	TONE BAR 71G L230XW38.1XT23 YX500F	1 PC.	
1-17	W5067371	TONE BAR 73A L220XW38.1XT23 YX500F	1 PC.	
1-18	W5067381	TONE BAR 75B L210XW38.1XT23 YX500F	1 PC.	
1-19	W5067391	TONE BAR 76C L200XW38.1XT23 YX500F	1 PC.	
1-2	W5067221	TONE BAR 47G L370XW38.1XT23 YX500F	1 PC.	
1-20	W5067401	TONE BAR 78D L190XW38.1XT23 YX500F	1 PC.	
1-21	W5067411	TONE BAR 80E L180XW38.1XT23 YX500F	1 PC.	
1-22	W5067421	TONE BAR 81F L170XW38.1XT23 YX500F	1 PC.	
1-23	W5067431	TONE BAR 83G L160XW38.1XT23 YX500F	1 PC.	
1-24	W5067441	TONE BAR 85A L150XW38.1XT23 YX500F	1 PC.	
1-25	W5067451	TONE BAR 87B L140XW38.1XT23 YX500F	1 PC.	
1-26	W5067461	TONE BAR 88C L130XW38.1XT23 YX500F	1 PC.	
1-27	WW481400	TONE BAR SUS.CORD(BL)12P D3.5X3600 YX500	1 PC.	
1-28	W5110010	CODE TENSION SPRING (L) YT,YV	1 PC.	
1-3	W5067231	TONE BAR 49A L360XW38.1XT23 YX500F	1 PC.	
1-4	W5067241	TONE BAR 51B L350XW38.1XT23 YX500F	1 PC.	
1-5	W5067251	TONE BAR 52C L340XW38.1XT23 YX500F	1 PC.	
1-6	W5067261	TONE BAR 54D L330XW38.1XT23 YX500F	1 PC.	
1-7	W5067271	TONE BAR 56E L320XW38.1XT23 YX500F	1 PC.	
1-8	W5067281	TONE BAR 57F L310XW38.1XT23 YX500F	1 PC.	
1-9	W5067291	TONE BAR 59G L300XW38.1XT23 YX500F	1 PC.	
10	WT670800	HEXAGON NUT 8.0 MFZN2B3	1 PC.	
11	EQ341256	ROUND HEAD WOOD SCREW 4.1X25	1 BAG	
12	EV330086	SPRING WASHER 8.0MM	1 BAG	
2	W5067472	TONE BAR SET(ACCIDENTAL) YX500F	1 PC.	
2-1	W5067481	TONE BAR 46F# L375XW38.1XT23 YX500F	1 PC.	
2-10	W5067571	TONE BAR 67D# L255XW38.1XT23 YX500F	1 PC.	
2-11	W5067581	TONE BAR 70F# L235XW38.1XT23 YX500F	1 PC.	
2-12	W5067591	TONE BAR 72G# L225XW38.1XT23 YX500F	1 PC.	
2-13	W5067601	TONE BAR 74A# L215XW38.1XT23 YX500F	1 PC.	
2-14	W5067611	TONE BAR 77C# L195XW38.1XT23 YX500F	1 PC.	
2-15	W5067621	TONE BAR 79D# L185XW38.1XT23 YX500F	1 PC.	

Model Name : YX-500F

Ref No.	Parts No.(ChangeNo.)	English Name	Minimum Delivery	Accept order or not
2-16	W5067631	TONE BAR 82F# L165XW38.1XT23 YX500F	1 PC.	
2-17	W5067641	TONE BAR 84G# L155XW38.1XT23 YX500F	1 PC.	
2-18	W5067651	TONE BAR 86A# L145XW38.1XT23 YX500F	1 PC.	
2-19	WW481400	TONE BAR SUS.CORD(BL)12P D3.5X3600 YX500	1 PC.	
2-2	W5067491	TONE BAR 48G# L365XW38.1XT23 YX500F	1 PC.	
2-20	W5110010	CODE TENSION SPRING (L) YT,YV	1 PC.	
2-3	W5067501	TONE BAR 50A# L355XW38.1XT23 YX500F	1 PC.	
2-4	W5067511	TONE BAR 53C# L335XW38.1XT23 YX500F	1 PC.	
2-5	W5067521	TONE BAR 55D# L325XW38.1XT23 YX500F	1 PC.	
2-6	W5067531	TONE BAR 58F# L305XW38.1XT23 YX500F	1 PC.	
2-7	W5067541	TONE BAR 60G# L295XW38.1XT23 YX500F	1 PC.	
2-8	W5067551	TONE BAR 62A# L285XW38.1XT23 YX500F	1 PC.	
2-9	W5067561	TONE BAR 65C# L265XW38.1XT23 YX500F	1 PC.	
3	WT503000	FRAME ASSY YX500F	1 PC.	
3-1	WS646600	RES. REST RUBBER N L YX500R	1 PC.	
3-10	W1020200	RAIL STOPPER 72	1 PC.	
3-11	WE963206	FLAT HEAD WOOD SCREW 3.5X20 MFZN2B3(6)	1 PACK/6pcs	
3-12	EQ335166	ROUND HEAD WOOD SCREW 3.5X16	1 BAG	
3-2	WS646700	RES. REST RUBBER A L YX500R	1 PC.	
3-3	WS646800	RES. REST RUBBER R YX500R	1 PC.	
3-4	EP345326	FLAT HEAD WOOD SCREW 4.5X32	1 BAG	
3-5	EQ335326	ROUND HEAD WOOD SCREW 3.5X32	1 BAG	
3-6	V4431400	SUSPENSION POST I-46-BL	1 PC.	
3-7	V4431200	SUSPENSION POST H-45.5-BL YM350	1 PC.	
3-8	V4432500	RUBBER INSULATOR 1TX11.7DX19L	1 PC.	
3-9	WS646900	CLAMP 5 L166 YX500R	1 PC.	
4	WW205801	RESONATOR NATURAL YX500R	1 PC.	
5	WW206102	RESONATOR ACCIDENTAL YX500R	1 PC.	
6	WS648500	LEG L ASSY YX500R	1 PC.	
6-10	W5141100	CASTER 100MM WITH STOPPER	1 PC.	
6-11	W5141090	CASTER 100MM YX330	1 PC.	
6-12	V4467600	LEG PIPE CAP YX500R	1 PC.	
6-13	W5127691	WING BOLT M8X18 YV1600A	1 PC.	
6-15	EV303806	SPRING WASHER M8 YX30E	1 BAG	
6-16	WT670300	LEG MOUNTING BOLT M8X25 BL YX500	1 PC.	
6-17	WG157600	MACHINE SCREW PAN 6.0X16 MFZN2B3 SP	1 PC.	
6-18	EA330046	PAN HEAD SCREW 3.0X4(ST)	1 BAG	
6-19	WT670500	WASHER SPRING 1/2 IN MFZN2W3	1 PC.	
6-2	WS649700	SLIDE GUIDE ASSY B YX500R	1 PC.	
6-20	W5148107	COIL SPRING YV2700/2700G	1 PC.	

