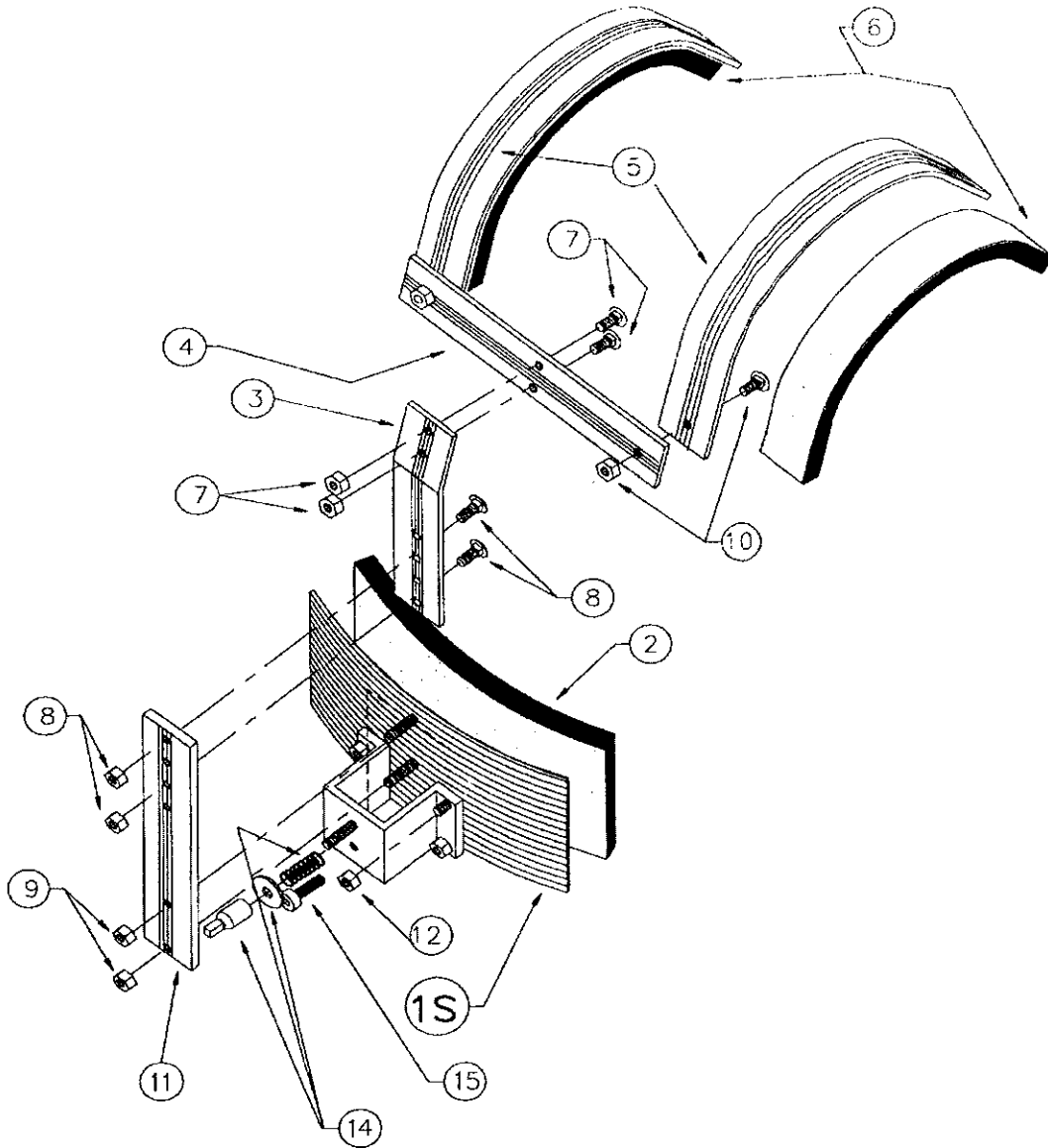


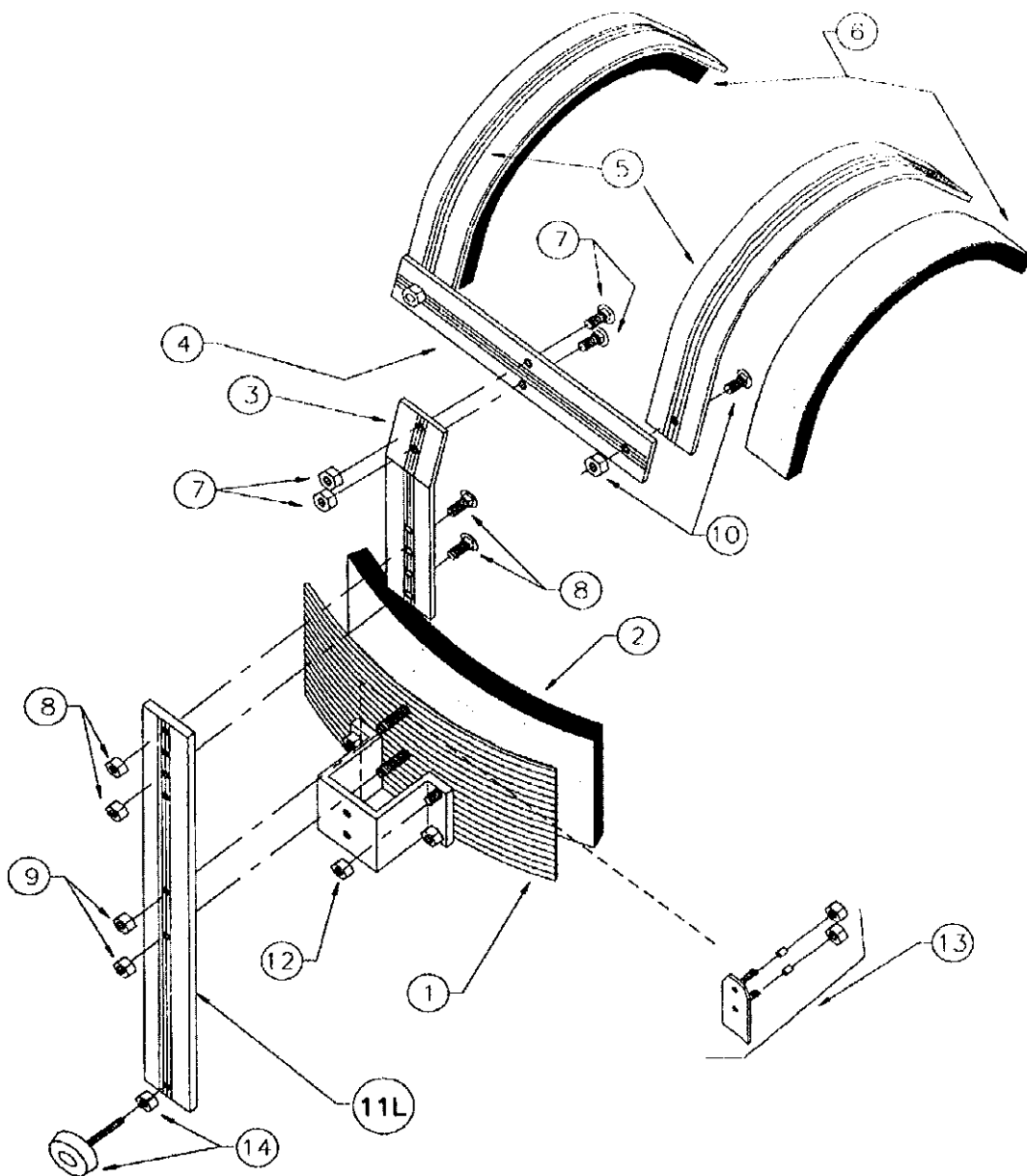
RM-PLQ Power-Lite Quad (8";10";12";13") Harness
 RM-PTS Power-Lite Small Trio(8";10";12) Harness
 RM-PTL Power-Lite Large Trio (10";12";13") Harness



POWER-LITE TENOR CARRIER

Model #	Ref #	Yamaha Part #	Description	UOM
RM-PLQ, RM-PLTS & RM-PLTL	1S	RM-PLQ1	PL Quad Belly Plate Assembly Complete	1
	2	RM-P2	PL Belly Plate Foam	1
	3	RM-P3	PL Upper Vertical Bar	1
	4	RM-P4	PL Horizontal Bar	1
	5	RM-P5	PL Curved Shoulder Bar	2
	6	RM-P6	PL Shoulder Bar Foam	2
	7-10	RM-PLBOLTNUT	PL Bolt/Nut Package (4 ea Carriage Bolt & Nylock Nut)	4
	11	RM-P11	PL Lower Vertical Bar	1
	12	RM-P12	#10 Nut 3/16-24	1
	14	RM-PQ14	Drum Key Break-a-Way Set (nut/washer/spring)	1
	15	RM-PQ15	Socket Head 1/4-20 x 5/8" Rail Locator	1

RM-PLS Power Lite Snare Carrier



POWER-LITE SNARE CARRIER

Model #	Ref #	Yamaha Part #	Description	UOM
RM-PLS	1	RM-P1	PL Belly Plate with Foam	1
	2	RM-P2	PL Belly Plate Foam	1
	3	RM-P3	PL Upper Vertical Bar	1
	4	RM-P4	PL Horizontal Bar	1
	5	RM-P5	PL Curved Shoulder Bar	1
	6	RM-P6	PL Shoulder Bar Foam	2
	7-10	RM-PLBOLTNUT	PL Bolt/Nut Package (4 ea Carriage Bolt & Nylock Nut)	4
	11L	RM-P11L	PL Long Lower Vertical Bar	1
	12	RM-P12	#10 Nut 3/16-24	1
	13	RM-PS13	PL Snare ET-Clip Tongue Assembly	1
	14	RM-PS14	PL Snare Lower Bumper Assembly	1