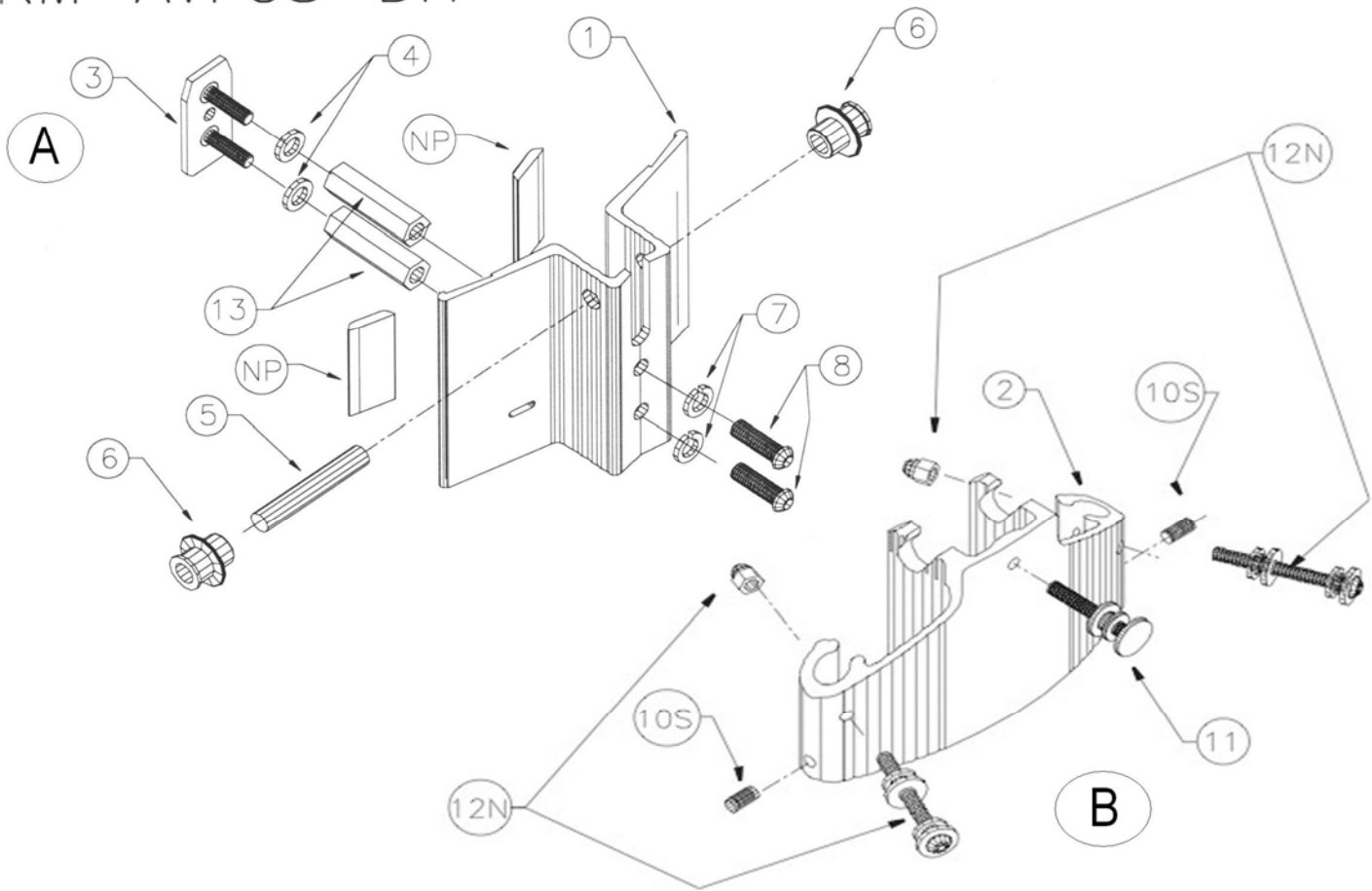


**ALUMNI-VEST SFZ Lift Front Assembly**

| Model #               | Ref # | Yamaha Part #                            | Description                             | UOM |
|-----------------------|-------|--|---|-----|
| RM-AVS, RM-SFZ, RM-MS |       | RM-SFZDH                                 | Complete SFZ Lift Front Assembly        | 1   |
|                       | A     | RM-SFZDHA                                | Snare Side Lift-Front Assembly for SFZ  | 1   |
|                       | B     | RM-DHB                                   | Carrier Side Lift-Front Assembly        | 1   |
|                       | 1     | RM-SFZDH1                                | Snare Side Hinge Only for Sforzando     | 1   |
|                       | 2     | RM-DH2                                   | Carrier Side Hinge                      | 1   |
|                       | 3     | RM-SFZDH3                                | Tube Clamp                              | 1   |
|                       | AP    | RM-AP                                    | Angle Plate - Dipped                    | 1   |
|                       |       | RM-SFZDH4                                | Old Style - Tube Lug Protector          | 1   |
|                       | 5     | RM-DH5                                   | Axle                                    | 1   |
|                       | 6     | RM-DH6                                   | Bushing                                 | 1   |
|                       | 7     | RM-SFZDH7                                | Nut                                     | 1   |
|                       | 8     | RM-SFZDH8                                | Washer                                  | 1   |
|                       | 10S   | RM-TBOLT3/8M                             | T-Bolt 1/4-20 x 3/8" Metal              | 1   |
|                       | 11    | RM-DHBBOLT1-1/2                          | Hinge Lock Bolt 1/4-20 x 1-1/2"         | 1   |
|                       | 12N   | RM-DH9N                                  | Nylon Acorn Nut Bumper w/ Bolt Assembly | 1   |
| RM-DH9                |       | Old Style Rubber Bumper w/ Bolt Assembly | 1                                       |     |

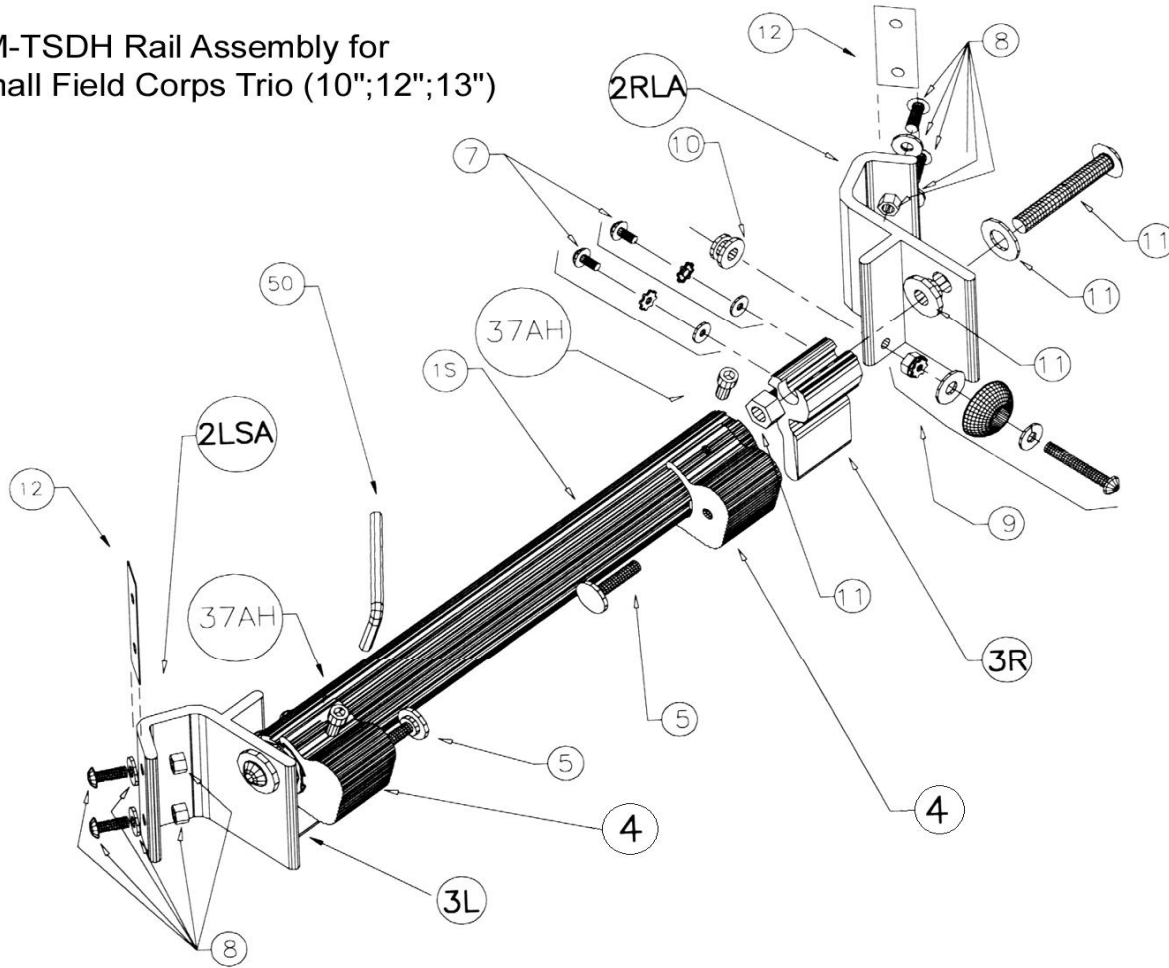
# RM-AVFCS-DH



## ALUMNI-VEST Field Corps Lift Front Assembly

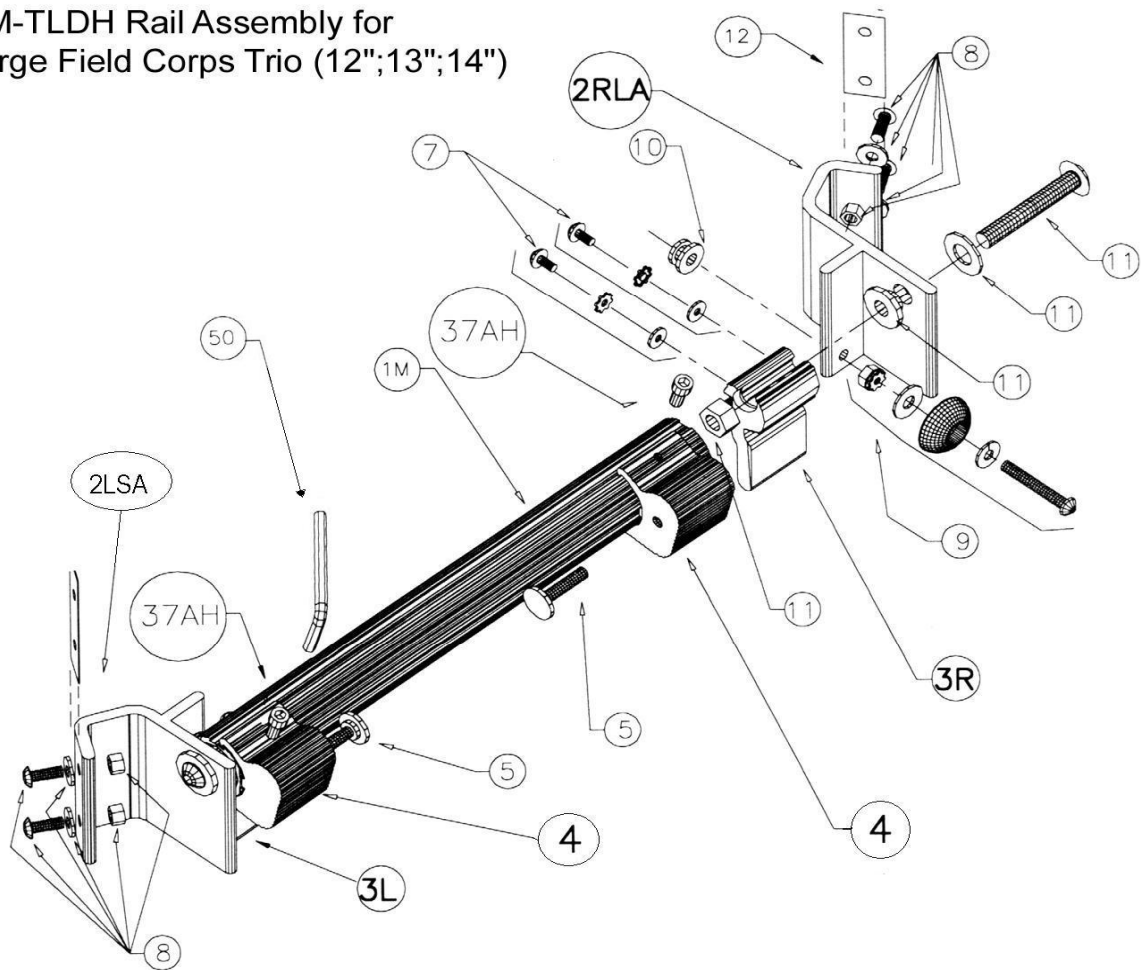
| Model #                 | Ref #     | Yamaha Part #                  | Description                                | UOM |
|-------------------------|-----------|--------------------------------|--|-----|
| RM-AVFC, RM-FCS, RM-MFC |           | RM-FCDH                        | Complete Field Corps Lift Front Assembly   | 1   |
|                         | A         | RM-FCDHA                       | Snare Side Lift-Front Assembly for ET-Clip | 1   |
|                         | B         | RM-DHB                         | Carrier Side Lift-Front Assembly           | 1   |
|                         | 1         | RM-FCDH1                       | Snare Side Hinge Only for Field Corps      | 1   |
|                         | 2         | RM-DH2                         | Carrier Side Hinge                         | 1   |
|                         | 3         | RM-FCDH3                       | Tongue for ET-Clip                         | 1   |
|                         | 4         | RM-FCDH4                       | Tongue Washer                              | 1   |
|                         | 5         | RM-DH5                         | Axle                                       | 1   |
|                         | 6         | RM-DH6                         | Bushing                                    | 1   |
|                         | 7         | RM-FCDH7                       | Lock Washer                                | 1   |
|                         | 8         | RM-FCDH8                       | Bolt 5/16-18                               | 1   |
|                         | 10S       | RM-TBOLT3/8M                   | T-Bolt 1/4-20 x 3/8" Metal                 | 1   |
|                         | 11        | RM-DHBBOLT                     | Hinge Lock Bolt 1/4-20 x 1-1/2"            | 1   |
|                         | 12N       | RM-DH9N                        | Nylon Acorn Nut Bumper w/ Bolt Assembly    | 1   |
|                         |           | RM-DH9                         | Old Style Rubber Bumper w/ Bolt Assembly   | 1   |
| 13                      | RM-FCDH12 | Hex Shaft RM-FCS(DH)           | 1  |     |
| NP                      | RM-DHNP   | Nylon Pad For Snare Side Hinge | 1  |     |

RM-TSDH Rail Assembly for  
Small Field Corps Trio (10";12";13")



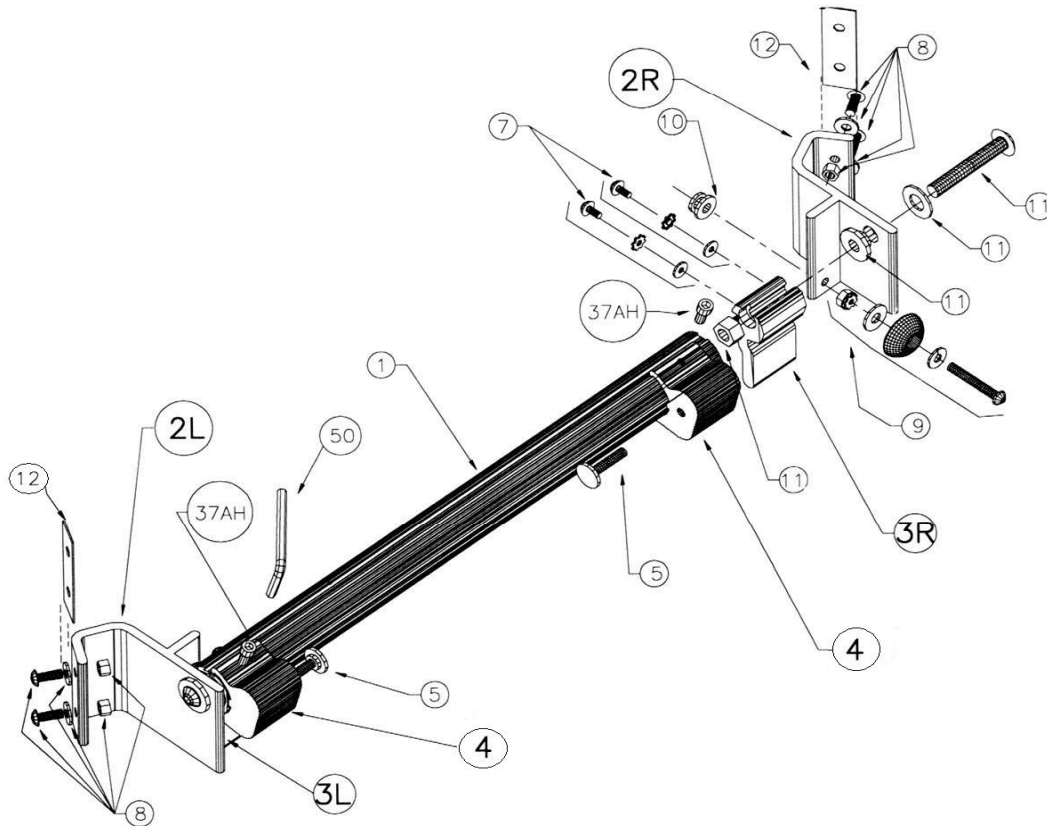
| Model #  | Ref # | Yamaha Part # | Description  | UOM  |
|--|-------|---------------|--|------|
| RM-TSDH RAIL ASSEMBLY FOR SMALL FIELD CORPS TRIO CARRIER |       | RM-TSDH       | Small Trio Rail Assembly (10, 12, 13)              | Each |
|  | 1S    | RM-TSDH1      | Small Trio Rail (10, 12, 13) 9 1/2" Long           | Each |
|  | 2LSA  | RM-TDH2LSA    | Trio Swivel Bracket - Left (small angle)           | Each |
|  | 2RLA  | RM-TDH2RLA    | Trio Swivel Bracket - Right (large angle)          | Each |
|  | 3     | RM-QDH3       | End Plug / Swivel                                  | Each |
|  | 4     | RM-QDH4       | J Rod Receiver - Left or Right                     | Each |
|  | 5     | RM-CBOLT1     | Circle Bolt 1/4-20 x 1"                            | Each |
|  | 7     | RM-FCQDH7     | End Plug Fastener Set                              | Set  |
|  | 8     | RM-FCQDH8     | Drum Mounting Fastener Set: 2ea Bolt, Nut & Washer | Set  |
|  | 9     | RM-QDH9       | Rubber Bumper with Bolt for Tom Rail               | Set  |
|  | 10    | RM-QDH10      | Black Two-step Thumb Nut                           | Each |
|  | 11    | RM-QDH11      | Swivel Bolt Assembly                               | Set  |
|  | 12    | RM-QDH12      | Swivel Bracket Isolator                            | Each |
|  | 37AH  | RM-SH37AH     | 1/4 - 20 x 3/8 STAINLESS STEEL Allen Head          | Each |
|  | 50    | RM-HK316      | 3/16 Short Arm Hex Key                             | Each |

RM-TLDH Rail Assembly for  
Large Field Corps Trio (12";13";14")



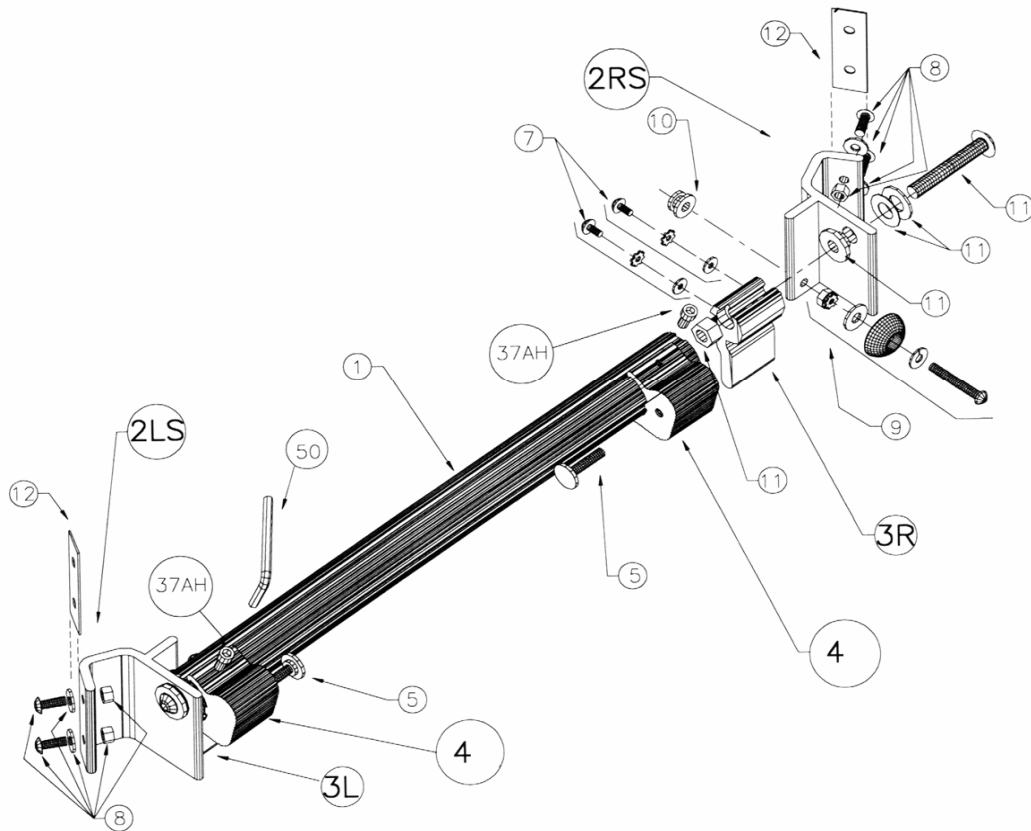
| Model #  | Ref # | Yamaha Part # | Description  | UOM  |
|--|-------|---------------|--|------|
| RM-TLDH RAIL ASSEMBLY FOR LARGE FIELD CORPS TRIO CARRIER |       | RM-TLDH       | Large Trio Rail Assembly (12, 13, 14)              | Each |
|  | 1S    | RM-TLDH1      | Large Trio Rail (12, 13, 14) 12 7/8" Long          | Each |
|  | 2LSA  | RM-TDH2LSA    | Trio Swivel Bracket - Left (small angle)           | Each |
|  | 2RLA  | RM-TDH2RLA    | Trio Swivel Bracket - Right (large angle)          | Each |
|  | 3     | RM-QDH3       | End Plug / Swivel                                  | Each |
|  | 4     | RM-QDH4       | J Rod Receiver - Left or Right                     | Each |
|  | 5     | RM-CBOLT1     | Circle Bolt 1/4-20 x 1"                            | Each |
|  | 7     | RM-FCQDH7     | End Plug Fastener Set                              | Set  |
|  | 8     | RM-FCQDH8     | Drum Mounting Fastener Set: 2ea Bolt, Nut & Washer | Set  |
|  | 9     | RM-QDH9       | Rubber Bumper with Bolt for Tom Rail               | Set  |
|  | 10    | RM-QDH10      | Black Two-step Thumb Nut                           | Each |
|  | 11    | RM-QDH11      | Swivel Bolt Assembly                               | Set  |
|  | 12    | RM-QDH12      | Swivel Bracket Isolator                            | Each |
|  | 37AH  | RM-SH37AH     | 1/4 - 20 x 3/8 STAINLESS STEEL Allen Head          | Each |
|  | 50    | RM-HK316      | 3/16 Short Arm Hex Key                             | Each |

## RM-QSDH Rail Assembly for Small Field Corps Quad (8";10";12";13")



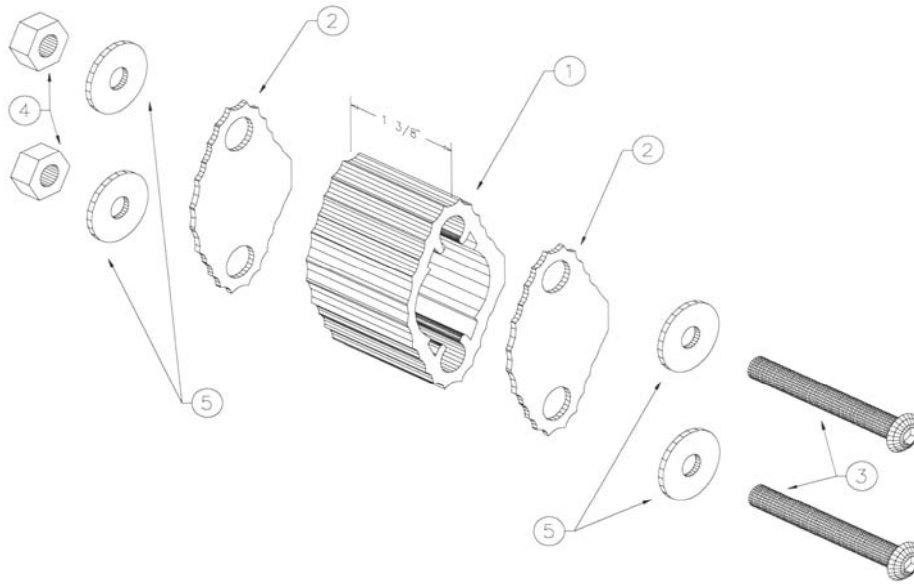
| Model #                         | Ref # | Yamaha Part # | Description   | UOM |
|---------------------------------|-------|---------------|---|-----|
| <b>RM-AVQS, RM-FCQS, RM-MQS</b> |       | RM-QSDH       | Quad Rail Assembly - Small (8, 10, 12, 13)              | 1   |
|                                 | 1     | RM-QSDH1      | Quad Rail Only - for Small or Large Quad set ( 17 1/2") | 1   |
|                                 | 2L    | RM-QSDH2L     | Quad-Small Swivel Bracket - Left (4 1/8")               | 1   |
|                                 | 2R    | RM-QSDH2R     | Quad-Small Swivel Bracket - Right (4 1/8")              |     |
|                                 | 3     | RM-QDH3       | End Plug / Swivel                                       | 1   |
|                                 | 4     | RM-QDH4       | J Rod Receiver - Left or Right                          | 1   |
|                                 | 5     | RM-CBOLT1     | Circle Bolt 1/4-20 x 1"                                 | 1   |
|                                 | 7     | RM-FCQDH7     | End Plug Fastener Set                                   | Set |
|                                 | 8     | RM-FCQDH8     | Drum Mounting Fastener Set: 2ea Bolt, Nut & Washer      | Set |
|                                 | 9     | RM-QDH9       | Rubber Bumper with Bolt for Tom Rail                    | Set |
|                                 | 10    | RM-QDH10      | Black Two-step Thumb Nut                                | 1   |
|                                 | 11    | RM-QDH11      | Swivel Bolt Assembly                                    | Set |
|                                 | 12    | RM-QDH12      | Swivel Bracket Isolator                                 | 1   |
|                                 | 37AH  | RM-SH37AH     | 1/4 - 20 x 3/8 STAINLESS STEEL Allen Head               | 1   |
|                                 | 50    | RM-HK316      | 3/16 Short Arm Hex Key                                  | 1   |

## RM-QLDH Rail Assembly for Large Field Corps Quad (10";12";13";14")



| Model #                        | Ref #    | Yamaha Part #          | Description   | UOM |
|--------------------------------|----------|------------------------|---|-----|
| <b>RM-AVQL, RM-FCQ, RM-MQL</b> |          | RM-QLDH                | Quad Rail Assembly - Large (10, 12, 13, 14)             | 1   |
|                                | 1        | RM-QSDH1               | Quad Rail Only - for Small or Large Quad set ( 17 1/2") | 1   |
|                                | 2LS      | RM-QLDH2LS             | Quad-Large Swivel Bracket - Left (3")                   | 1   |
|                                | 2RS      | RM-QLDH2RS             | Quad-Large Swivel Bracket - Right (3")                  | 1   |
|                                | 3        | RM-QDH3                | End Plug / Swivel                                       | 1   |
|                                | 4        | RM-QDH4                | J Rod Receiver - Left or Right                          | 1   |
|                                | 5        | RM-CBOLT1              | Circle Bolt 1/4-20 x 1"                                 | 1   |
|                                | 7        | RM-FCQDH7              | End Plug Fastener Set                                   | 1   |
|                                | 8        | RM-FCQDH8              | Drum Mounting Fastener Set: 2ea Bolt, Nut & Washer      | 1   |
|                                | 9        | RM-QDH9                | Rubber Bumper with Bolt for Tom Rail                    | Set |
|                                | 10       | RM-QDH10               | Black Two-step Thumb Nut                                | 1   |
|                                | 11       | RM-QDH11               | Swivel Bolt Assembly                                    | Set |
|                                | 12       | RM-QDH12               | Swivel Bracket Isolator                                 | 1   |
|                                | 37AH     | RM-SH37AH              | 1/4 - 20 x 3/8 STAINLESS STEEL Allen Head               | 1   |
| 50                             | RM-HK316 | 3/16 Short Arm Hex Key | 1   |     |

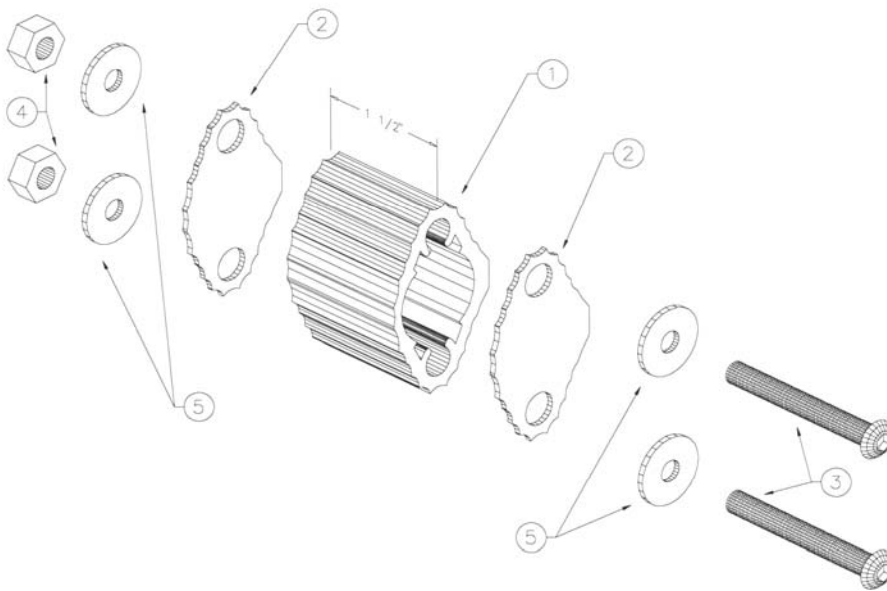
### RM-100



#### FIELD-CORPS Spacers for Quads

| Model # | Ref # | Yamaha Part # | Description         | UOM |
|---------|-------|---------------|---------------------|-----|
| RM-100  | 1     | RM-100        | 1-3/8" Tom Spacer   | 1   |
|         | 2     | RM-2          | Spacer Isolator     | 1   |
|         | 3     | RM-3          | 1/4-20 Hex Bolt     | 1   |
|         | 4     | RM-4          | 1/4-20 Nut          | 1   |
|         | 5     | RM-5          | 1/4 SAE Flat Washer | 1   |

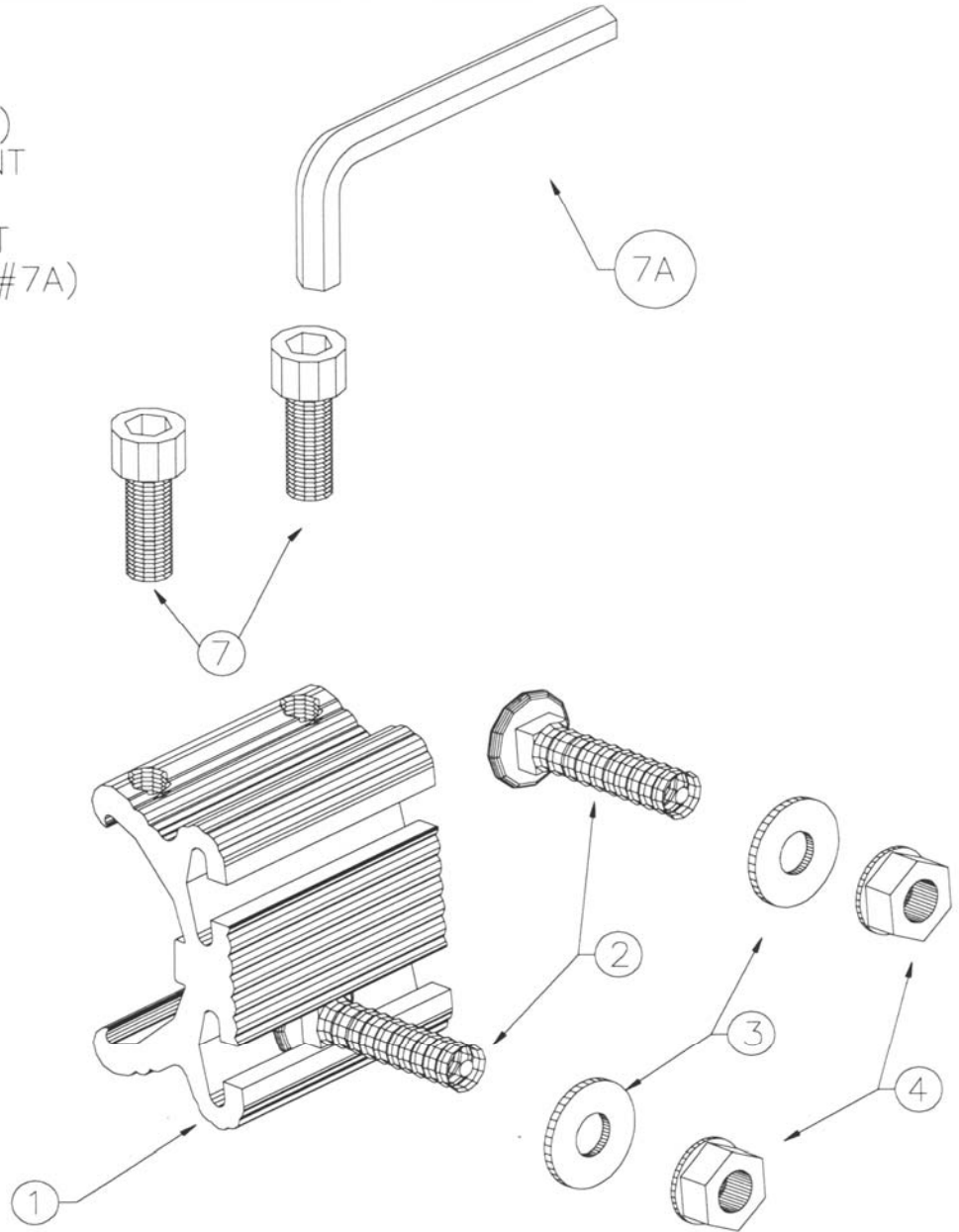
### RM-200



| Model # | Ref # | Yamaha Part # | Description         | UOM |
|---------|-------|---------------|---------------------|-----|
| RM-200  | 1     | RM-200        | 1-1/2" Tom Spacer   | 1   |
|         | 2     | RM-2          | Spacer Isolator     | 1   |
|         | 3     | RM-3          | 1/4-20 Hex Bolt     | 1   |
|         | 4     | RM-4          | 1/4-20 Nut          | 1   |
|         | 5     | RM-5          | 1/4 SAE Flat Washer | 1   |

# RM-FCAT-6

USE SOCKET HEAD(#7)  
BOLTS FOR PERMANENT  
POSITIONING THAT  
REQUIRES ADJUSTMENT  
WITH TOOL WRENCH (#7A)



| Model # | Ref # | Yamaha Part # | Description                                | UOM |
|---------|-------|---------------|--|-----|
| FCAT-6  | 1     | FCAT-6        | 6" Tom Attachment Assembly                 | 1   |
|         | 2     | RM-FCAT2      | 1/4-20 x 1" Carriage Bolt                  | 1   |
|         | 3     | RM-FCAT3      | Washer                                     | 1   |
|         | 4     | RM-FCAT4      | 1/4-20 Regular Nylock Nut                  | 1   |
|         | 7     | RM-SH37AH     | 1/4 - 20 x 3/8 Stainless Steel Socket Head | 1   |
|         | 7A    | RM-HK316      | 3/16 Short Arm Hex Key                     | 1   |