



AX16-AT

AUDIO EXPANSION CARD



Owner's Manual

Mode d'emploi

Bedienungsanleitung

Manual de instrucciones



YAMAHA CORPORATION
Pro Audio Division, #18/3
P.O. Box 3, Hamamatsu, 430-8651, Japan

COMPLIANCE INFORMATION STATEMENT

(DECLARATION OF CONFORMITY PROCEDURE)

Responsible Party: YAMAHA CORPORATION OF AMERICA
Address: 6600 Orangethorpe Avenue, Buena Park, Calif. 90620 U.S.A.
Telephone: 1-714-522-9011
FAX: 1-714-739-2680
Type of Equipment: AUDIO EXPANSION CARD
Model Name: AX16-AT

This device complies with Part 15 of the FCC Rules.

Operation is subject to the following conditions:

- 1) this device may not cause harmful interference, and
- 2) this device must accept any interference received including interference that may cause undesired operation.

FCC INFORMATION (U.S.A.)

1. IMPORTANT NOTICE: DO NOT MODIFY THIS UNIT! This product, when installed as indicated in the instructions contained in this manual, meets FCC requirements. Modifications not expressly approved by Yamaha may void your authority, granted by the FCC, to use the product.
2. IMPORTANT: When connecting this product to accessories and/or another product use only high quality shielded cables. Cable/s supplied with this product MUST be used. Follow all installation instructions. Failure to follow instructions could void your FCC authorization to use this product in the USA.
3. NOTE: This product has been tested and found to comply with the requirements listed in FCC Regulations, Part 15 for Class "B" digital devices. Compliance with these requirements provides a reasonable level of assurance that your use of this product in a residential environment will not result in harmful interference with other electronic devices. This equipment generates/uses radio frequencies and, if not installed and used according to the instructions found in the users manual, may cause interference harmful to the operation of other electronic devices. Compliance with FCC regulations does not guarantee that interference will not occur in all installations. If this product is found to be the source of interference, which can be determined by turning the unit "OFF" and "ON", please try to eliminate the problem by using one of the following measures: Relocate either this product or the device that is being affected by the interference. Utilize power outlets that are on different branch (circuit breaker or fuse) circuits or install AC line filter/s. In the case of radio or TV interference, relocate/reorient the antenna. If the antenna lead-in is 300 ohm ribbon lead, change the lead-in to coaxial type cable. If these corrective measures do not produce satisfactory results, please contact the local retailer authorized to distribute this type of product. If you can not locate the appropriate retailer, please contact Yamaha Corporation of America, Electronic Service Division, 6600 Orangethorpe Ave, Buena Park, CA 90620

The above statements apply ONLY to those products distributed by Yamaha Corporation of America or its subsidiaries.

Contents

Introduction	4
System Requirements	4
PCI or ISA?	4
Controls & Connections	5
Rear	5
Internal	6
System Hookup Overview	8
Installing the AX16-AT	9
Fitting the ISA-bus Mounting Bracket	10
Selecting the I/O Source for the DS2416	11
Specifications	12
Dimensions	13

Important Notices

- Do not place the AX16-AT in an area subject to excessive heat, direct sunlight, excessive humidity, or dust.
- Keep the AX16-AT inside its antistatic bag until you are ready to install it.
- To prevent handling damage, hold the AX16-AT by the edges or bracket.
- If you accidentally touch the card edge connections, remove any fingerprints using a dry tissue.
- Do not place objects on top of the AX16-AT, and do not put it down in a place where other objects are likely to be placed on top of it.
- Before removing your computer's cover, turn it off and remove the power cord.
- To prevent static electricity damage, touch a grounded metal part of your computer, such as the power supply case, before handling the AX16-AT.

Packing List

- AX16-AT Audio Expansion Card
- DS2416 20-pin connection cable x2
- ISA-bus mounting bracket
- This manual

Trademarks

ADAT MultiChannel Optical Digital Interface is a trademark and ADAT and Alesis are registered trademarks of Alesis Corporation. Yamaha is a trademark of Yamaha Corporation. All other trademarks are the property of their respective holders and are hereby acknowledged.

Copyright

No part of the AX16-AT *Owner's Manual* may be reproduced or distributed in any form or by any means without the prior written authorization of Yamaha Corporation, Inc.

© 1998 Yamaha Corporation. All rights reserved.

Keep this manual safe for future reference!

Introduction

Thank you for purchasing the Yamaha AX16-AT Audio Expansion Card. The AX16-AT is an ADAT format digital interface card for the Yamaha DS2416 Digital Mixing Card. Two ADAT MultiChannel Optical Digital inputs and two outputs mean that up to 16 channels of ADAT format digital audio can be transferred simultaneously between the DS2416 and an ADAT multitrack recorder, or other ADAT-compatible device, such as a Yamaha 02R, 03D, or 01V digital mixing console with an ADAT I/O card installed.

System Requirements

- DS2416-compatible computer with a free PCI or ISA-bus slot
- Yamaha DS2416 Digital Mixing Card
- DS2416-compatible audio software

PCI or ISA?

The AX16-AT is set for installation in a PCI-bus slot, but can also be installed in an ISA slot simply by swapping the supplied mounting bracket. Since DS2416-compatible Apple Power Macintosh computers do not support ISA bus, the AX16-AT must be used in a PCI slot with Power Macs. On DS2416-compatible Windows computers, however, the AX16-AT can be used in either a PCI or ISA-bus slot, which means that even if all your PCI slots are taken and the only free slots are ISA, you can still install the AX16-AT.

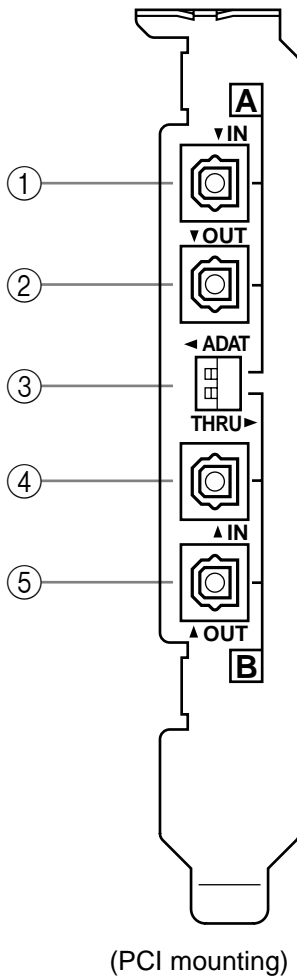
Important: If you are using the DS2416 and AX16-AT in a Windows 95 or Windows 98 computer, be sure to use DS2416 driver version V103 or later. The latest driver software is available for free download from the Yamaha Professional Audio Web site.

*<<http://www.yamaha.co.jp/product/proaudio/homeenglish/>>
DS2416 driver version V102 or earlier does not support the AX16-AT ADAT/THRU switch. However, it can be made to recognize the switch by relaunching the DS2416-supporting audio software.*

Important: When the DS2416's internal Vari Pitch mode is used, the word-clock, or sampling rate changes accordingly and some devices connected to the AX16-AT for use as wordclock slaves may not be able to synchronize correctly. However, they may synchronize correctly at certain settings (resultant sampling rates), but not others.

Controls & Connections

Rear



① **A IN**

Signals arriving at this ADAT MultiChannel Optical Digital input are fed through to the IO-A connector on this card.

② **A OUT**

Signals from the IO-A outputs on the DS2416 are output via this ADAT MultiChannel Optical Digital output.

③ **A & B ADAT/THRU switches**

These switches are used to select the input and output signals for the IO-A and IO-B connectors on this card. IO-A and IO-B can be set individually. In the ADAT position, the DS2416 receives and transmits signals via the A or B IN and OUT connectors on this card. In the THRU position, the DS2416 receives and transmits signals via the THRU A or B connectors on this card.

④ **B IN**

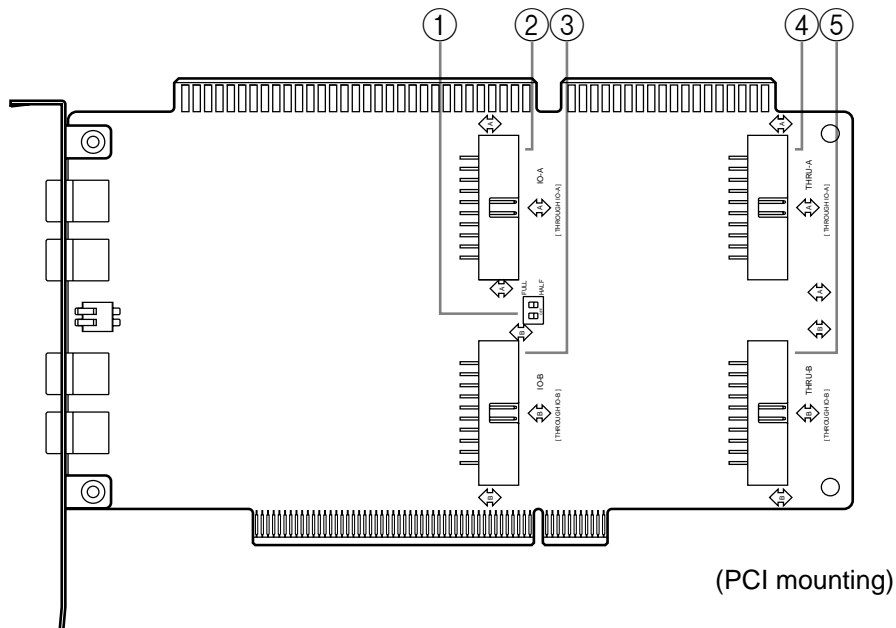
Signals arriving at this ADAT MultiChannel Optical Digital input are fed through to the IO-B connector on this card.

⑤ **B OUT**

Signals from the IO-B outputs on the DS2416 are output via this ADAT MultiChannel Optical Digital output.

Note: Be aware that if the body of the plugs on your optical cables is too large to pass easily through the expansion-slot holes in the rear of your computer, the plugs may not plug into the ADAT jacks properly and may come loose.

Internal



① **HALF/FULL switches**

These switches are used to configure wordclock operation when the DS2416 is used as a wordclock slave and receives its wordclock from the AX16-AT. IO-A and IO-B can be set individually. In the FULL position, the DS2416 derives its wordclock from the source selected using the ADAT/THRU switches.

Normally, these switches should be set to HALF, the default setting, in which case the DS2416's wordclock source is always an ADAT IN connector regardless of the ADAT/THRU switch settings. This is convenient when switching between the ADAT and THRU (AX44 or other device) connectors, because you don't have to change the wordclock settings.

When an external device connected to the A IN connector is used as the wordclock master, that device must be turned on and configured correctly for wordclock master operation. If, for some reason, the external wordclock is lost, the THRU connectors are checked for a usable wordclock, and if one is not found there either, the DS2416 stops functioning.

(To use an external device as the wordclock master, you must connect it to the A IN connector.)

② **IO-A connector**

This connector connects to the IO-A connector on the DS2416 using the supplied 20-pin connection cable.

③ IO-B connector

This connector connects to the IO-B connector on the DS2416 using the supplied 20-pin connection cable.

④ THRU-A connector

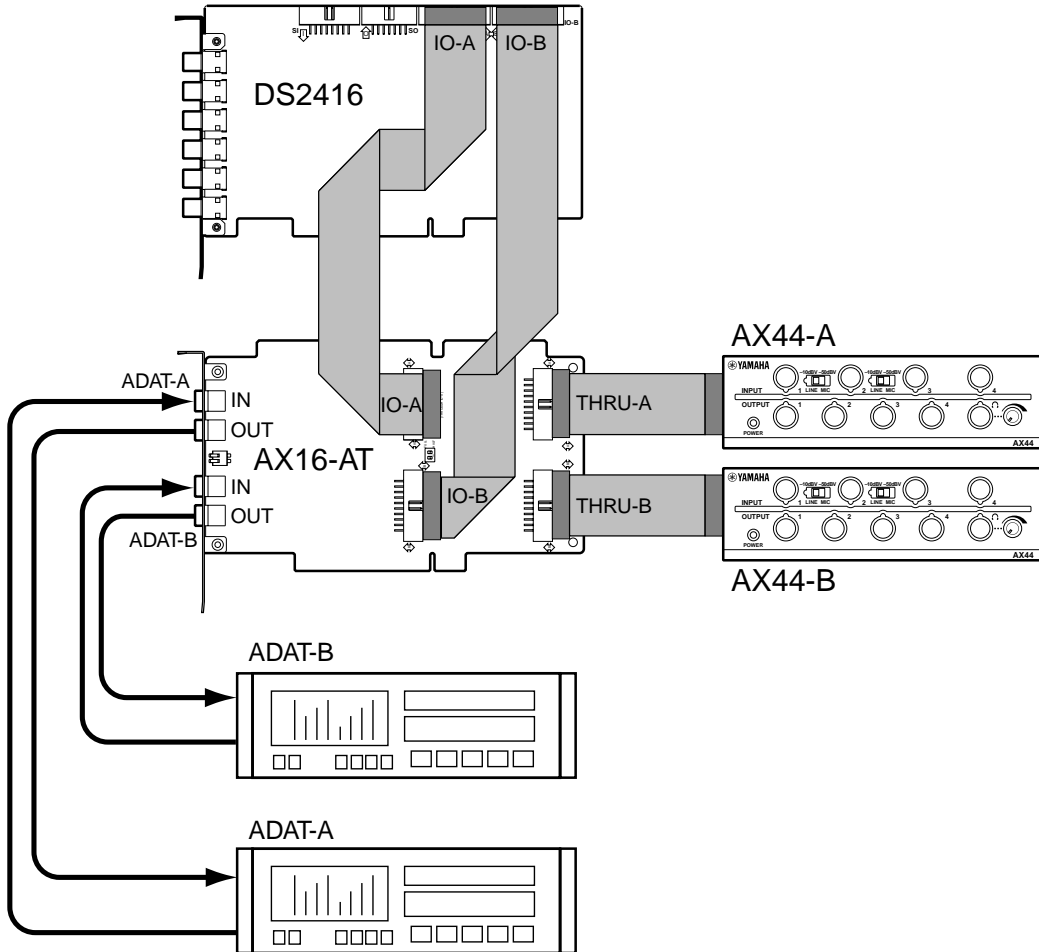
This connector connects to the first AX44 Audio Expansion Unit using the 20-pin connection cable supplied with the AX44.

⑤ THRU-B connector

This connector connects to the second AX44 Audio Expansion Unit using the 20-pin connection cable supplied with the AX44.

System Hookup Overview

The following diagram shows how the AX16-AT connects to the DS2416 and AX44s. Also shown are two digital multitrack recorders with ADAT format inputs and outputs for up to 16 channels of digital audio transfer between them and the DS2416.



When using an ADAT, set the corresponding ADAT/THRU switch (A or B) to ADAT. To use an AX44, set the switch to THRU.

In the system shown here, the DS2416, ADAT-A, or ADAT-B could be used as the wordclock master. (Supporting software is required to set the wordclock.)

If an ADAT recorder is used as the wordclock master, turn on the ADAT first, set its wordclock, and then set the DS2416 wordclock.

Installing the AX16-AT

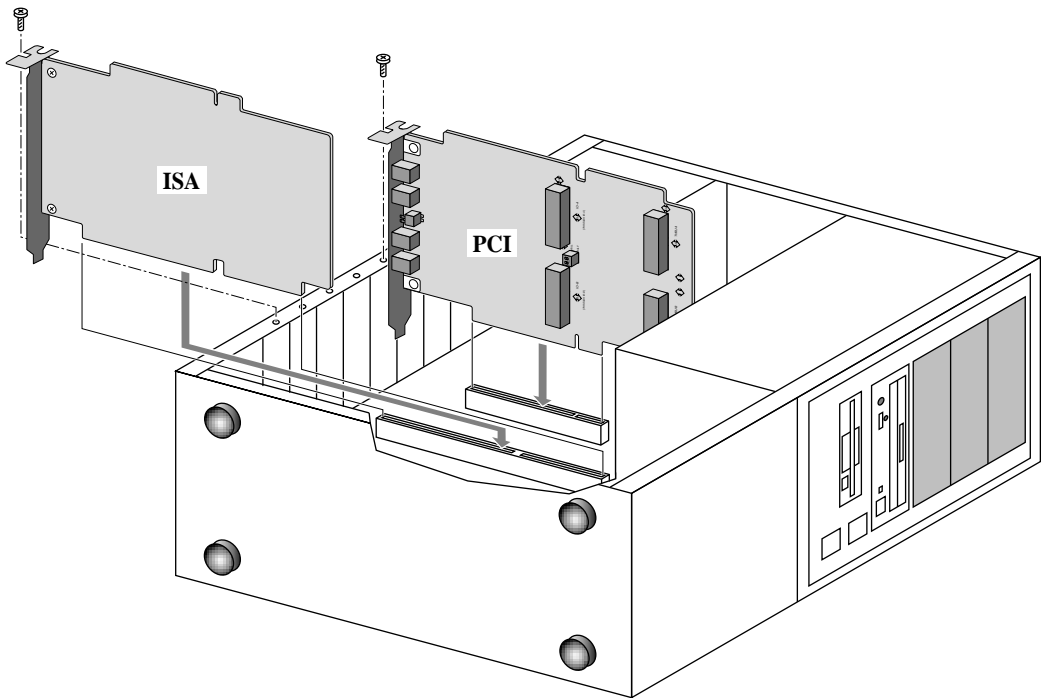
The AX16-AT installs into a single PCI or ISA expansion slot and requires no special jumper settings or interrupt settings. If you are installing in an ISA slot, see “Fitting the ISA-bus Mounting Bracket” on page 10 before continuing with this procedure.

See your computer’s manual for full details on installing cards.

- 1 Turn off the computer and disconnect the power cord.
- 2 Remove the computer’s cover.
- 3 Choose an empty slot for the AX16-AT, and remove the expansion-slot cover.

To prevent static electricity from damaging the AX16-AT, touch a grounded metal part of your computer, such as the power supply case, before handling it.

- 4 Carefully align and insert the AX16-AT into the slot.



- 5 If the expansion-slot cover was held in place by a screw, secure the AX16-AT using the same screw.

Important: Tighten the expansion-slot fixing screw so that the AX16-AT cannot jiggle about in the slot.

- 6** Connect the AX16-AT IO-A connector to the DS2416 IO-A connector using the supplied 20-pin cable (connect the end with the ferrite core to the DS2416).
- 7** Connect the AX16-AT IO-B connector to the DS2416 IO-B connector using the supplied 20-pin cable (connect the end with the ferrite core to the DS2416).
- 8** If you are using an AX44, connect the AX16-AT THRU-A connector to the first AX44 using the 20-pin cable supplied with the AX44.
- 9** If you are using a second AX44, connect the AX16-AT THRU-B connector to the second AX44 using the 20-pin cable supplied with the AX44.
- 10** Replace the computer's cover.
- 11** Connect your ADAT multitrack recorder, or other ADAT-compatible device, such as a Yamaha 02R, 03D, or 01V digital mixing console with an ADAT I/O card installed, to the A or B IN/OUT connectors on the rear of the AX16-AT using EIAJ fiber optical cables.

Fitting the ISA-bus Mounting Bracket

Before installing the AX16-AT into an ISA-bus slot, you must replace the PCI-bus mounting bracket with the ISA-bus mounting bracket.

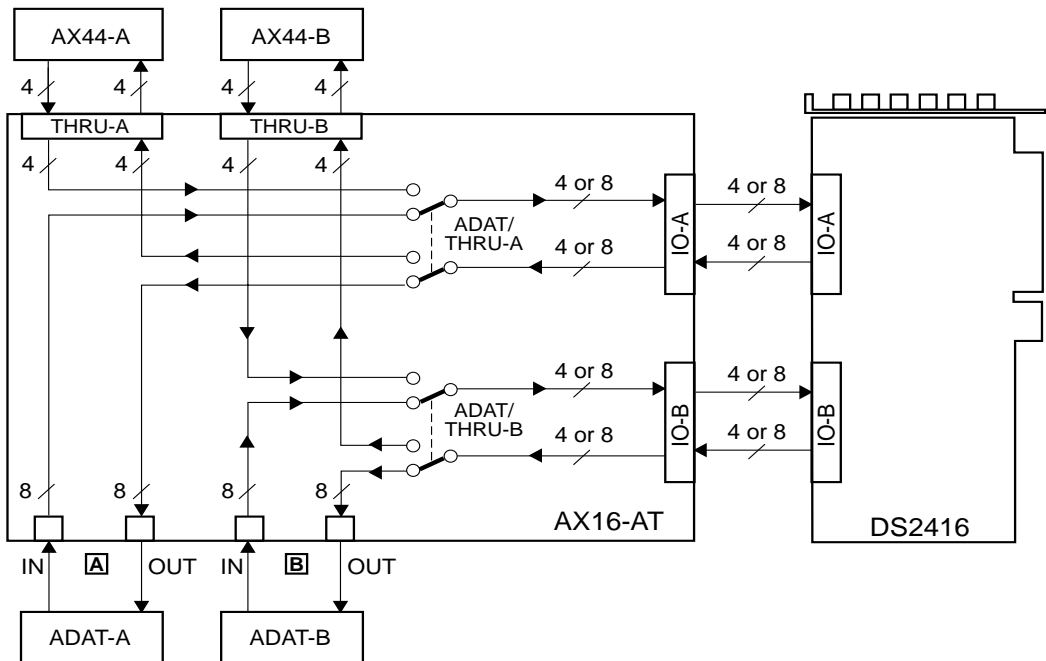
To prevent static electricity from damaging the AX16-AT, touch a grounded metal part of your computer, such as the power supply case, before handling it.

- 1** Remove the two fixing screws that secure the PCI-bus mounting bracket to the AX16-AT card and carefully remove the mounting bracket.
- 2** Carefully fit the ISA-bus mounting bracket and secure using the two screws removed previously.

Selecting the I/O Source for the DS2416

The ADAT/THRU switches select the input and output sources for the IO-A and IO-B connectors on the DS2416. In the ADAT position, the DS2416 receives and transmits signals via the ADAT IN and OUT connectors on the AX16-AT, as shown in the following diagram. In the THRU position, the DS2416 receives and transmits signals via the AX44s. IO-A and IO-B can be switched independently.

The lines from the DS2416 are labeled “4 or 8” because they carry four audio channel when set to THRU (i.e., AX44) and eight channels when set to ADAT.



Specifications

General

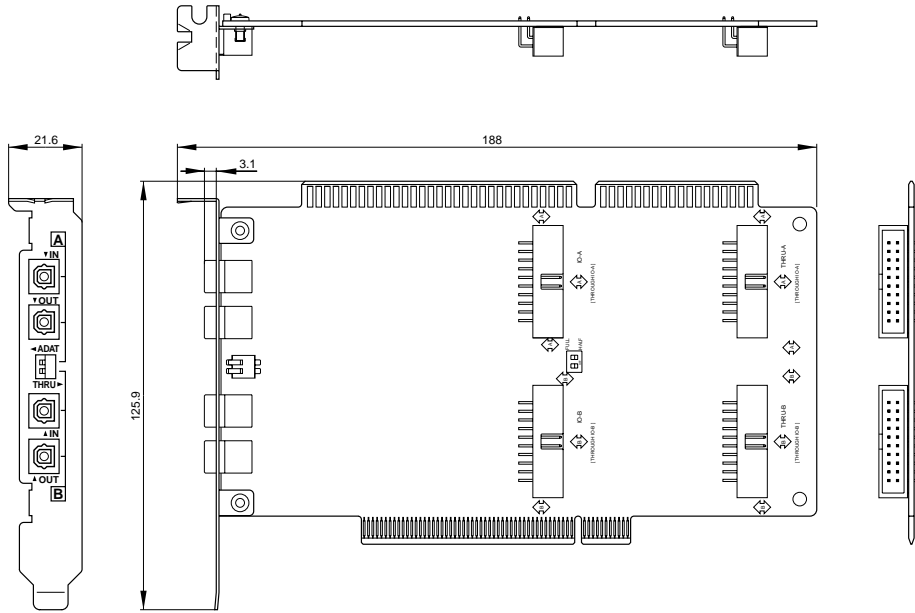
Sampling rate	External	40.013 kHz to 50.880 kHz
ADAT/THRU switches		DS2416 I/O source selection
WORDCLOCK HALF/FULL switches		Wordclock source select
PCI-bus (for power supply only)		PCI Raw Variable Height Short Card (5 V, 32-bit)
ISA-bus (for power supply only)		ISA card (5 V, 8-bit)
Power supply		+5 V (250 mA max)
Maximum power consumption		1.25 W
Temperature	Operating	+10°C to +35°C
	Storage	-20°C to +60°C
Dimensions (H x L x D)		125.9 (ISA 127.7) x 188 x 21.6 mm (4.95 x 7.4 x 0.85 inch)
Weight		120 g (4.2 oz)
Supplied accessories		20-pin cable x2
		ISA-bus mounting bracket

Digital I/O

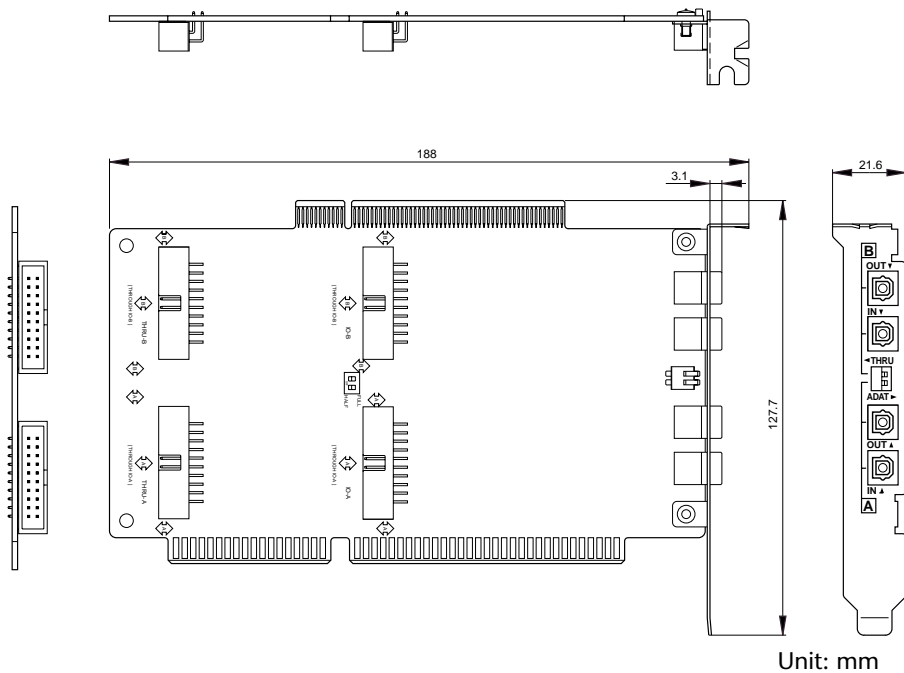
Connection	I/O	Format	Level	Connector
A IN B IN	I	ADAT MultiChannel Optical Digital Interface	—	EIAJ fiber optical jack
A OUT B OUT	O	ADAT MultiChannel Optical Digital Interface	—	EIAJ fiber optical jack
IO-A IO-B THRU-A THRU-B	I/O	4CH or 8CH digital audio inputs (2CH or 4CH line, MSB first x2) 4CH or 8CH digital audio outputs (2CH or 4CH line, MSB first x2) 32-bit max/channel DS2416 compatible format	5 V CMOS	20-pin connector

Dimensions

PCI



ISA



Unit: mm

Specifications and external appearance are subject to change without notice.



AX16-AT

CARTE D'EXPANSION AUDIO



Français

Mode d'emploi

Sommaire

Introduction	4
Système requis	4
PCI ou ISA?	4
Commandes et connexions	5
A l'arrière	5
A l'intérieur	6
Vue globale des connexions du système	8
Installation de l'AX16-AT	9
Adaptation de la fixation du bus ISA	10
Sélection de la source I/O pour la DS2416	11
Fiche technique	12
Dimensions	13

Remarques importantes

- Évitez de placer l'AX16-AT dans des endroits particulièrement chauds, humides, poussiéreux ou en plein soleil.
- Gardez l'AX16-AT dans son sac antistatique jusqu'à ce que vous soyez prêt à l'installer.
- Pour éviter tout dommage durant l'installation, tenez l'AX16-AT par les bords ou la fixation.
- Si vous touchez accidentellement le circuit imprimé au bord de la carte, enlevez toute empreinte digitale avec un mouchoir sec.
- Ne placez aucun objet sur l'AX16-AT et évitez de la déposer à un endroit où des objets risquent d'être placés sur elle.
- Avant d'ouvrir le boîtier de l'ordinateur, mettez-le hors tension et débranchez le cordon d'alimentation.
- Pour éviter tout endommagement par électricité statique, prenez en main un objet métallique mis à la masse comme le boîtier d'alimentation de votre ordinateur, par exemple, pour vous décharger de toute électricité statique.

Contenu de l'emballage

- Carte d'expansion audio AX16-AT
- Câble de connexion à 20 broches DS2416 x2
- Fixation pour bus ISA
- Ce mode d'emploi

Marques commerciales

ADAT MultiChannel Optical Digital Interface est une marque commerciale et ADAT ainsi qu'Alesis sont des marques déposées d'Alesis Corporation. Yamaha est une marque déposée de Yamaha Corporation. Toutes les autres marques appartiennent à leurs détenteurs respectifs et sont explicitement reconnues.

Copyright

Ce mode d'emploi de l'AX16-AT ne peut être copié ou distribué sous quelque forme ou par quelque moyen que ce soit sans l'autorisation écrite préalable de Yamaha Corporation, Inc.

© 1998 Yamaha Corporation. Tous droits réservés.

Veillez conserver ce manuel dans un lieu sûr pour toute référence ultérieure!

Introduction

Nous vous remercions d'avoir opté pour la carte d'expansion audio AX16-AT de Yamaha. L'AX16-AT est une interface numérique de format ADAT pour la carte de mélangeur numérique DS2416 de Yamaha. Avec ses deux entrées et sorties ADAT MultiChannel Optical Digital, il est possible de transférer des données audio numériques de format ADAT sur 16 canaux entre la DS2416 et un enregistreur multipiste ADAT ou tout autre appareil ADAT tel qu'une console de mixage 02R, 03D ou 01V de Yamaha, dotée d'une carte ADAT I/O.

Système requis

- Ordinateur compatible avec la DS2416 disposant d'un bus PCI ou ISA libre.
- Carte de mélangeur numérique Yamaha DS2416
- Logiciel audio compatible avec la DS2416

PCI ou ISA?

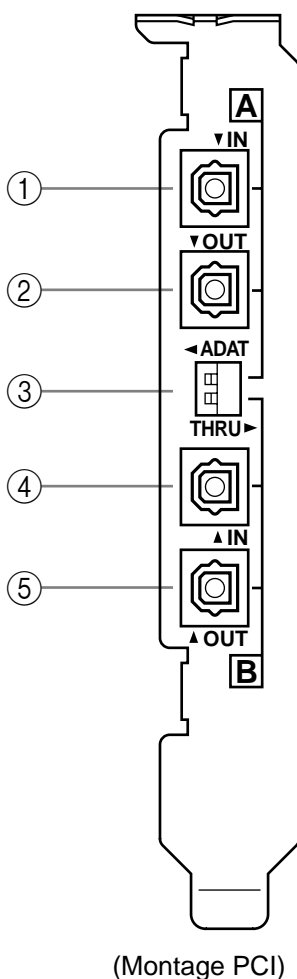
L'AX16-AT a été conçue pour une installation dans un connecteur PCI mais peut également être placée dans un connecteur ISA. Il suffit d'échanger les fixations et d'utiliser la fixation ISA prévue à cet effet. Comme les ordinateurs Apple Macintosh compatibles avec la DS2416 ne comportent pas de bus ISA, l'AX16-AT doit donc impérativement être installée dans un emplacement PCI sur les Power Macs. Si vous vous servez d'un ordinateur Windows compatible avec la DS2416, vous avez le choix entre un connecteur PCI ou ISA. Si tous les bus PCI sont occupés, vous pouvez toujours installer l'AX16-AT pour autant qu'il vous reste un bus ISA de libre.

Important: Si vous utilisez la DS2416 et l'AX16-AT sur un ordinateur tournant sous Windows 95 ou 98, veillez à vous servir de la version V103 ou ultérieure du pilote de la DS2416. La version la plus récente du pilote est téléchargeable gratuitement à partir du site Yamaha Professional Audio. <<http://www.yamaha.co.jp/product/proaudio/homeenglish/>> La version V102, voire une version antérieure du pilote pour la DS2416, ne permet pas l'utilisation du commutateur ADAT/THRU. Il n'empêche que vous pouvez faire le nécessaire pour qu'il le reconnaisse en relançant le logiciel audio compatible avec la DS2416.

Important: Lors de l'utilisation du mode Vari Pitch de la DS2416, la fréquence d'échantillonnage ainsi que les données Wordclock changent aussi. Dans ce cas, certains appareils connectés à l'AX16-AT (en tant qu'esclaves Wordclock) risquent de ne plus pouvoir être synchronisés. Certains réglages (produisant des fréquences d'échantillonnage reconnues) peuvent cependant donner le résultat escompté.

Commandes et connexions

A l'arrière



① A IN

Les signaux arrivant à cette entrée ADAT MultiChannel Optical Digital sont envoyés au connecteur IO-A de cette carte.

② A OUT

Les signaux venant des sorties IO de la carte DS2416 sont produits via cette sortie ADAT MultiChannel Optical Digital.

③ Commutateurs A & B ADAT/THRU

Ces commutateurs vous permettent de sélectionner les signaux d'entrée et de sortie pour les connecteurs IO-A et IO-B de cette carte. Ce réglage peut être effectué indépendamment pour IO-A et IO-B. Si vous optez pour "ADAT", l'entrée et la sortie correspondante (A ou B) de la DS2416 est reliée aux bornes A IN/OUT ou B IN/OUT. L'option "THRU" signifie que la DS2416 est reliée au connecteur THRU A ou THRU B de l'AX16-AT.

④ B IN

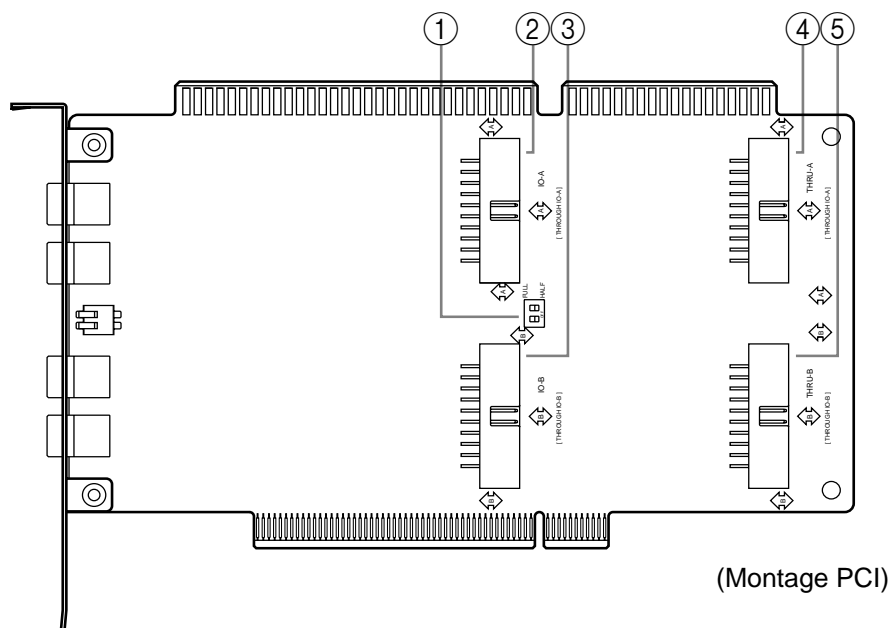
Les signaux arrivant à cette entrée ADAT MultiChannel Optical Digital sont envoyés au connecteur IO-B de cette carte.

⑤ B OUT

Les signaux venant des sorties IO de la carte DS2416 sont produits via cette sortie ADAT MultiChannel Optical Digital.

Remarque: Si les prises des câbles optiques utilisés sont trop larges en n'entrant dès lors pas tout à fait dans la fente d'extension en face arrière de votre ordinateur, il est fort probable que la connexion aux bornes ADAT ne se fasse pas ou pas entièrement.

A l'intérieur



① Commutateurs HALF/FULL

Ces commutateurs permettent de régler des paramètres Wordclock lorsque la DS2416 est asservie à l'horloge Wordclock de l'AX16-AT. IO-A et IO-B peuvent être réglés séparément. En position "FULL", la DS2416 tire son signal Wordclock de la source sélectionnée avec les commutateurs ADAT/THRU.

Normalement, ces commutateurs doivent être réglés sur "HALF" (réglage d'usine) car, ainsi, la DS2416 utilise toujours le signal Wordclock présent à la borne ADAT IN, quel que soit le réglage des commutateurs ADAT/THRU. Cela vous permet de commuter entre des connecteurs ADAT et THRU (AX44 ou d'autres appareils) car vous ne devez pas chaque fois modifier le réglage Wordclock.

Si un appareil branché à la borne A IN sert de maître Wordclock, cet appareil doit être mis sous tension et configuré correctement pour fonctionner en tant que maître Wordclock. Si, pour une raison ou une autre, la source Wordclock externe est perdue, les bornes THRU sont passées en revue à la recherche d'un signal Wordclock utilisable. S'il n'y en a pas, la DS2416 est désactivée.

(Pour pouvoir utiliser un appareil externe comme maître Wordclock, il faut impérativement le brancher à la borne A IN.)

② Connecteur IO-A

Ce connecteur peut être relié au connecteur IO-A de la DS2416 avec le câble de connexion à 20 broches fourni.

③ Connecteur IO-B

Ce connecteur peut être relié au connecteur IO-B de la DS2416 avec le second câble de connexion à 20 broches fourni.

④ Connecteur THRU-A

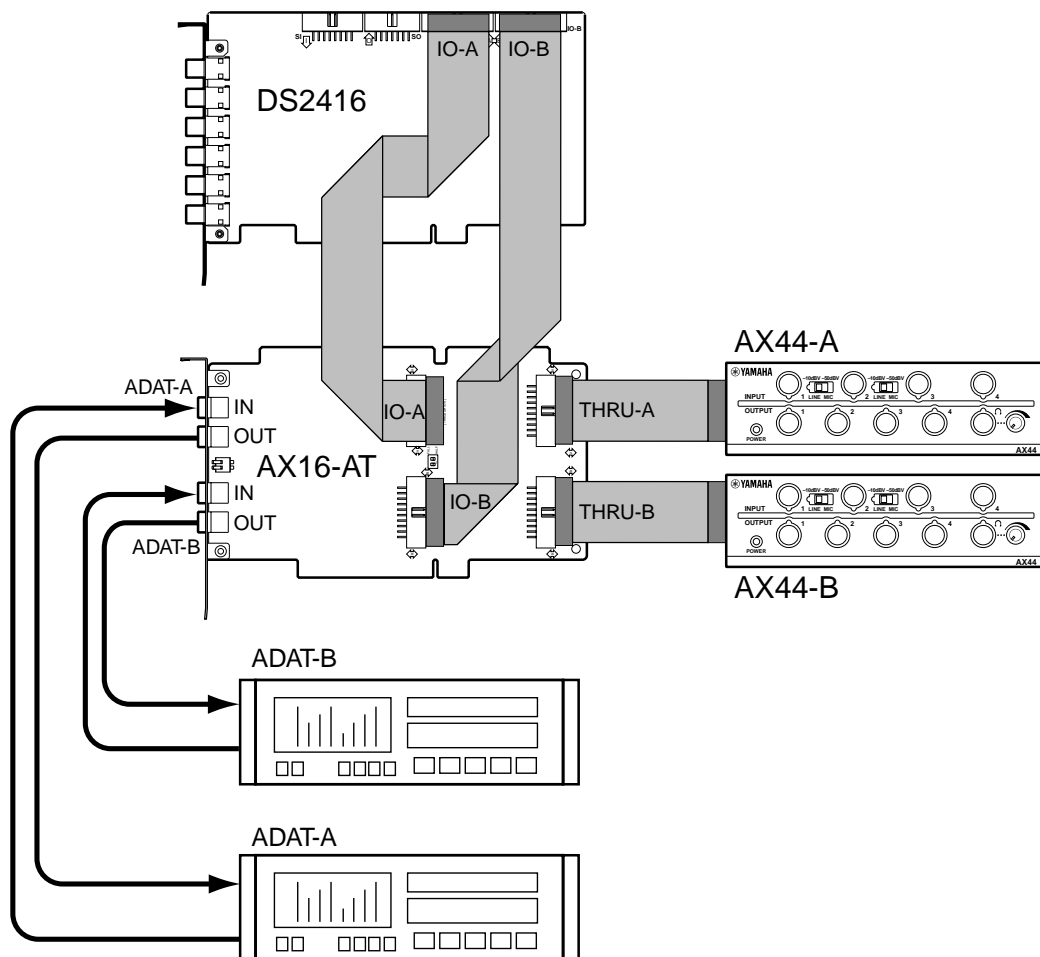
Ce connecteur peut être relié à la première unité d'expansion audio AX44. Utilisez à cet effet le câble de connexion à 20 broches fourni avec l'AX44.

⑤ Connecteur THRU-B

Ce connecteur peut être relié à la seconde unité d'expansion audio AX44. Utilisez à cet effet le câble de connexion à 20 broches fourni avec l'AX44.

Vue globale des connexions du système

Vous pouvez voir ci-dessous comment brancher l'AX16-AT avec une DS2416 et deux unités AX44. Ajoutez à cet exemple de système deux multipistes avec des entrées et des sorties de format ADAT permettant le transfert et la réception de données audio numériques sur 16 canaux entre eux et la DS2416.



Si vous travaillez avec des appareils ADAT, réglez le commutateur ADAT/THRU concerné (A ou B) sur “ADAT”. Si vous travaillez avec une AX44, réglez ce commutateur sur “THRU”.

Dans l'exemple donné ci-dessus, on peut identifier trois sources pouvant être utilisées comme maître Wordclock: la DS2416, ADAT-A ou ADAT-B. (Un logiciel adéquat est indispensable pour régler les paramètres Wordclock.)

Si vous utilisez un appareil ADAT comme maître Wordclock, mettez d'abord l'ADAT sous tension, réglez ses paramètres Wordclock et mettez ensuite l'ordinateur sous tension pour régler les paramètres Wordclock de la DS2416.

Installation de l'AX16-AT

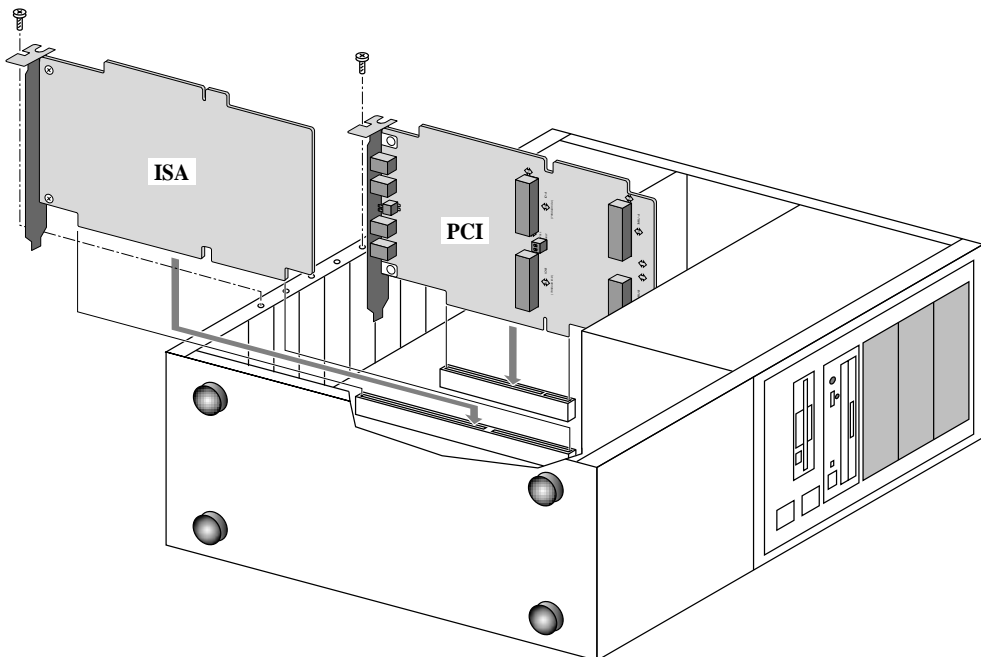
L'AX16-AT peut être installée dans un connecteur PCI ou ISA et n'exige aucun réglage de cavaliers ou d'interruptions. Si vous optez pour une connexion ISA, voyez la section "Adaptation de la fixation du bus ISA" à la page 10 avant de poursuivre.

Veillez consulter le manuel accompagnant votre ordinateur pour savoir comment installer une carte dans un emplacement.

- 1** Mettez l'ordinateur hors tension et débranchez le cordon d'alimentation.
- 2** Ouvrez le boîtier de l'ordinateur.
- 3** Sélectionnez un connecteur PCI libre pour l'AX16-AT et enlevez le cache du connecteur.

Pour éviter d'endommager votre AX16-AT par de l'électricité statique, prenez à pleine main un objet métallique de l'ordinateur mis à la masse tel que le boîtier du bloc d'alimentation, par exemple, avant de manier la carte.

- 4** Maintenez l'AX16-AT bien droite au-dessus du connecteur et insérez-la prudemment.



- 5** Si le cache du connecteur était maintenu par une vis, utilisez cette vis pour fixer l'AX16-AT.

Important: Serrez convenablement la vis de fixation pour que l'AX16-AT reste bien enfoncée dans le connecteur.

- 6** Reliez le connecteur IO-A de l'AX16-AT au connecteur IO-A de la DS2416 en vous servant du câble de connexion à 20 broches fourni (branchez l'extrémité avec la fiche en ferrite à la DS2416).
- 7** Branchez le connecteur IO-B de l'AX16-AT au connecteur IO-B de la DS2416 en vous servant du câble de connexion à 20 broches fourni (branchez l'extrémité avec la fiche en ferrite à la DS2416).
- 8** Si vous disposez d'une AX44, branchez-la au connecteur THRU-A de l'AX16-AT avec son câble à 20 broches.
- 9** Si vous disposez d'une seconde AX44, branchez-la au connecteur THRU-B de l'AX16-AT avec son câble à 20 broches.
- 10** Refermez le boîtier de l'ordinateur.
- 11** Branchez votre enregistreur multipiste ADAT ou tout autre appareil ADAT (une console de mixage 02R, 03D ou 01V de Yamaha avec carte I/O ADAT) aux connecteurs A ou B IN/OUT, à l'arrière de l'AX16-AT avec des câbles en fibre optique EIAJ.

Adaptation de la fixation du bus ISA

Avant d'installer l'AX16-AT dans un bus ISA, enlevez la fixation pour bus PCI et remplacez-la par la fixation pour bus ISA.

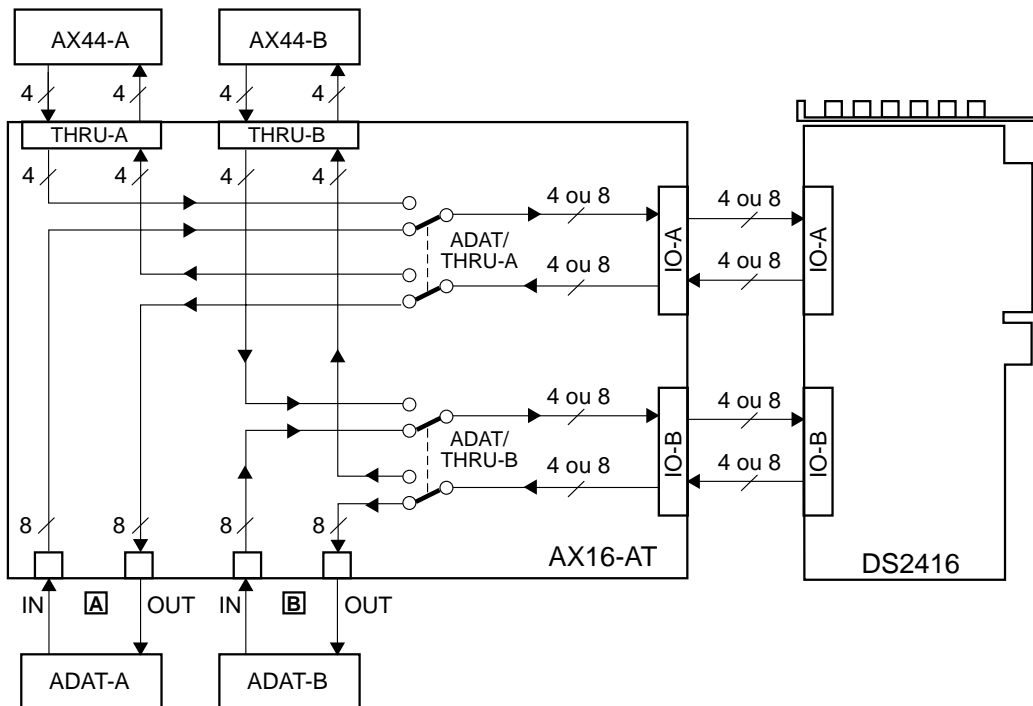
Pour éviter d'endommager votre AX16-AT par de l'électricité statique, prenez à pleine main un objet métallique de l'ordinateur mis à la masse tel que le boîtier du bloc d'alimentation, par exemple, avant de manier la carte.

- 1** Enlevez les deux vis avec lesquelles la fixation pour bus PCI est attachée à l'AX16-AT et retirez doucement la fixation.
- 2** Remplacez-la par la fixation pour bus ISA en exerçant la même prudence et resserrez les vis enlevées au préalable.

Sélection de la source I/O pour la DS2416

Les commutateurs ADAT/THRU vous permettent de sélectionner les sources d'entrée et de sortie pour les connecteurs IO-A et IO-B de la DS2416. En position "ADAT", la DS2416 reçoit et transmet des signaux via les connecteurs ADAT IN et OUT de l'AX16-AT, comme illustré ci-dessous. En position "THRU", la DS2416 reçoit et transmet des signaux via les AX44. Les réglages des connecteurs IO-A et IO-B peuvent se faire séparément.

Dans l'illustration suivante, les signaux allant vers et venant de la DS2416 sont pourvus de la mention "4 ou 8" car le nombre de canaux dépend du réglage des commutateurs: quatre canaux avec l'option "THRU" (c.-à-d. AX44) et huit canaux avec l'option "ADAT".



Fiche technique

Généralités

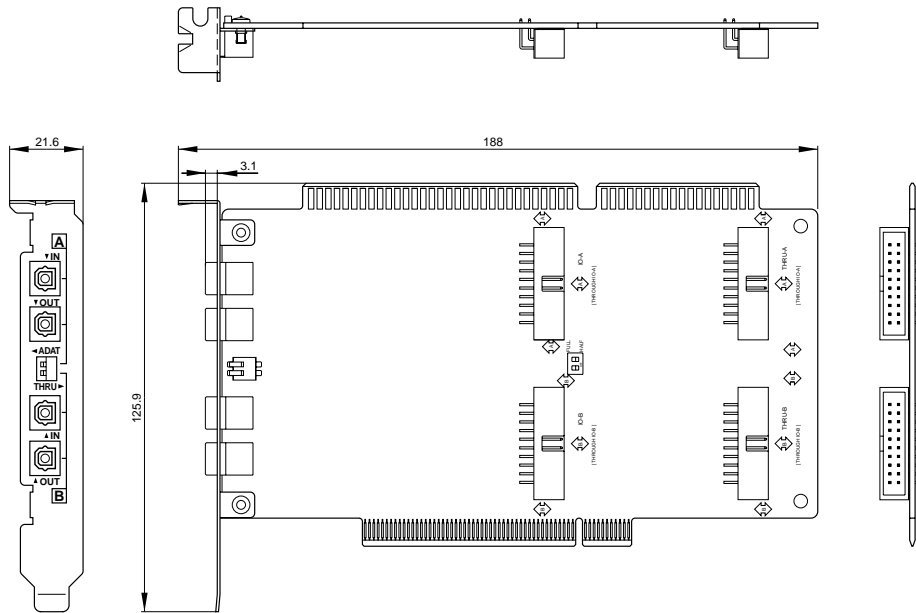
Fréquence d'échantillonnage	Externe	40,013 kHz~50,880 kHz
Commutateurs ADAT/THRU		Sélection des entrées/sorties DS2416
Commutateurs WORDCLOCK HALF/FULL		Sélection du maître Wordclock
Bus PCI (pour alimentation uniquement)		Courte carte "PCI Raw "de hauteur variable (5 V, 32 bits)
Bus ISA (pour alimentation uniquement)		Carte ISA (5 V, 8 bits)
Alimentation		+5 V (250 mA max.)
Consommation maximale		1,25 W
Température	Fonctionnement	+10°C~+35°C
	Repos	-20°C~+60°C
Dimensions (H x L x P)		125,9 (ISA 127,7) x 188 x 21,6 mm
Poids		120 g
Accessoires		Câble à 20 broches x2
		Fixation pour bus ISA

Entrées/sorties numériques (I/O ou E/S)

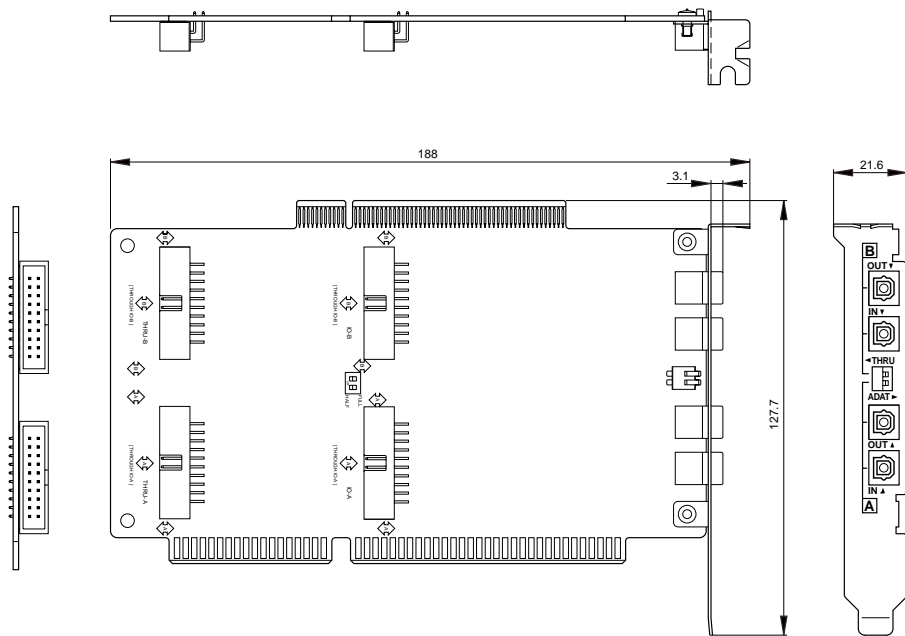
Borne	E/S	Format	Niveau	Connexion
A IN B IN	E	ADAT MultiChannel Optical Digital Interface	—	Connecteur en fibre optique EIAJ
A OUT B OUT	S	ADAT MultiChannel Optical Digital Interface	—	Connecteur en fibre optique EIAJ
IO-A IO-B THRU-A THRU-B	E/S	Entrées audio numériques (4 ou 8 canaux) (2 ou 4 canaux, MSB d'abord x2) Sorties audio numériques (4 ou 8 canaux) (2 ou 4 canaux, MSB d'abord x2) Maximum 32 bits/canal Compatible avec la DS2416	5 V CMOS	Connecteur à 20 broches

Dimensions

PCI



ISA



Unité: mm

Les caractéristiques et l'apparence peuvent être modifiées sans avis préalable.



AX16-AT

AUDIO EXPANSION UNIT



Deutsch

Bedienungsanleitung

Inhalt

Vorweg	4
Systemanforderungen	4
PCI oder ISA?	4
Bedienelemente und Anschlüsse	5
Rückseite	5
Intern	6
Übersicht der Systemanschlüsse	8
Einbau der AX16-AT	9
Anbringen der ISA-Bushalterung	10
Ein-/Ausgangsanzwahl für die DS2416	11
Spezifikationen	12
Abmessungen	13

Wichtige Hinweise

- Legen Sie die AX16-AT nicht an ausgesprochen heiße Orte bzw. in das direkte Sonnenlicht und meiden Sie Feuchtigkeit und Staub.
- Holen Sie die AX16-AT erst aus der antistatischen Verpackung, wenn Sie sie tatsächlich installieren möchten.
- Um Schäden während des Einbaus zu vermeiden, sollten Sie die AX16-AT nur an den Rändern und der Halterung festhalten.
- Wenn Sie die Lötbahnen der Platine aus Versehen berühren, müssen Sie die Fingerabdrücke sofort mit einem trockenen Tuch entfernen.
- Legen Sie keine schweren Gegenstände auf die AX16-AT und legen Sie sie niemals an Orte, an denen es passieren könnte, daß schwere Gegenstände auf die Platine gelegt werden.
- Vor Öffnen des Computers müssen Sie ihn ausschalten und den Netzanschluß lösen.
- Um Schäden aufgrund statischer Elektrizität zu vermeiden, sollten Sie vor Berühren der Platine einen Metallgegenstand des Rechners, z.B. das Gehäuse der Stromversorgung, anfassen.

Lieferumfang

- AX16-AT Audio-Erweiterungsplatine
- 20-Pin-Anschlußkabel für die DS2416 x2
- ISA-Bushalterung
- Diese Bedienungsanleitung

Warenzeichen

ADAT MultiChannel Optical Digital Interface ist ein Warenzeichen und ADAT sowie Alesis sind eingetragene Warenzeichen der Alesis Corporation. Yamaha ist ein eingetragenes Warenzeichen der Yamaha Corporation. Alle anderen Warenzeichen sind Eigentum der betreffenden Firmen und werden ausdrücklich anerkannt.

Copyright

Diese *Bedienungsanleitung* der AX16-AT darf ohne die schriftliche Genehmigung der Yamaha Corporation, Inc. weder auszugsweise noch vollständig vervielfältigt oder anderweitig verwendet werden, ganz gleich, in welcher Form dies geschieht.

© 1998 Yamaha Corporation. Alle Rechte vorbehalten.

Bewahren Sie diese Bedienungsanleitung an einem sicheren Ort auf!

Vorweg

Vielen Dank, daß Sie sich für eine AX16-AT Audio-Erweiterungskarte von Yamaha entschieden haben. Die AX16-AT ist eine Schnittstelle im ADAT Digital Interface-Format für die Digital-Mischerkarte DS2416 von Yamaha. Dank der beiden ADAT MultiChannel Optical Digital-Ein- und Ausgänge können bis zu 16 Kanäle im ADAT-Digital-Audioformat simultan zwischen einer DS2416 und einem ADAT-Mehrspurgerät oder einem anderen ADAT-kompatiblen Gerät, z.B. einem 02R, 03D oder 01V Digital-Mischpult von Yamaha übertragen werden. Das Pult muß zu diesem Zweck mit einer ADAT I/O-Platine nachgerüstet werden.

Systemanforderungen

- DS2416-kompatibler Rechner mit einem freien PCI- oder ISA-Buschacht.
- Yamaha DS2416 Digital-Mischerkarte
- DS2416-kompatible Audio-Software

PCI oder ISA?

Die AX16-AT ist zwar für den Einbau in einen PCI-Slot gedacht, kann aber auch in einen ISA-Schacht gesteckt werden. Hierfür brauchen Sie nur die beiliegende Halterung anzubringen. Da DS2416-kompatible Apple Power Macintosh-Rechner den ISA-Bus nicht unterstützen, muß die AX16-AT im Falle eines Power Macs also unbedingt in einem PCI-Bus installiert werden. Verwenden Sie jedoch einen DS2416-kompatiblen Windows-Rechner, kann die AX16-AT wahlweise in einem PCI- oder ISA-Busschacht installiert werden. Wenn also bereits alle PCI-Slots belegt sind, kann die AX16-AT trotzdem installiert werden – sofern noch ein ISA-Schacht frei ist.

Wichtig: Wenn Sie die DS2416 sowie die AX16-AT in einen Rechner eingebaut haben, der unter Windows 95 oder 98 läuft, müssen Sie unbedingt die Treiber-version V103 oder neuer der DS2416 verwenden. Diesen Treiber können Sie sich von der Yamaha Professional Audio-Webpage im Internet herunterladen. Die Adresse lautet:

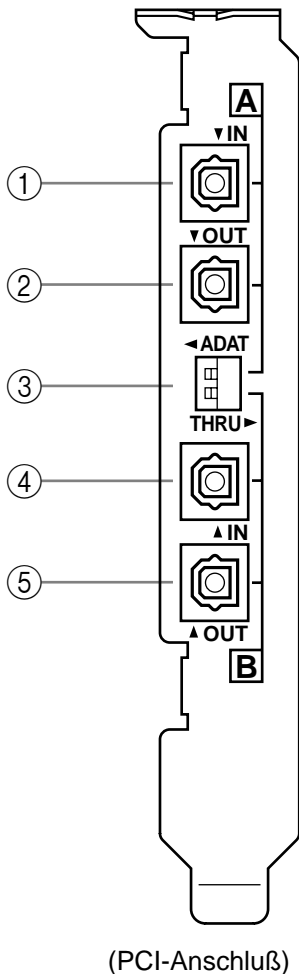
<<http://www.yamaha.co.jp/product/proaudio/homeenglish/>>

Version V102 sowie ältere Treiber-Versionen für die DS2416 unterstützen den ADAT/THRU-Schalter der AX16-AT nicht. Durch einen Neustart der verwendeten DS2416-kompatiblen Audio-Software kann dies jedoch korrigiert werden.

Wichtig: Wenn Sie die Vari Pitch-Funktion der DS2416 verwenden, ändern sich auch die Sampling-Frequenz sowie die Wordclock-Informationen, so daß die als Wordclock-Slaves an die AX16-AT angeschlossenen Geräte nicht mehr synchronisiert werden können. Bei bestimmten Einstellungen (die zu einer erkannten Sampling-Frequenz führen) dürfte der Datenaustausch jedoch trotzdem klappen.

Bedienelemente und Anschlüsse

Rückseite



① A IN

Die über diesen ADAT MultiChannel Optical Digital-Eingang empfangenen Signale werden über den IO-A-Anschluß der Platine weitergeleitet.

② A OUT

Die von der IO-A-Buchse der DS2416 empfangenen Signale werden über diesen ADAT MultiChannel Optical Digital-Ausgang ausgegeben.

③ A & B ADAT/THRU-Schalter

Mit diesen Schaltern können Sie das Ein- und Ausgangssignal der IO-A- und IO-B-Anschlüsse der Platine wählen. Diese Einstellung kann für IO-A und IO-B separat vorgenommen werden. Wenn Sie die Einstellung "ADAT" wählen, so sind der betreffende Ein- und Ausgang (A oder B) der DS2416 mit den Buchsen A IN/OUT bzw. B IN/OUT verbunden. Die Einstellung "THRU" bedeutet, daß die DS2416 mit dem Anschluß THRU A bzw. THRU B der AX16-AT verbunden ist.

④ B IN

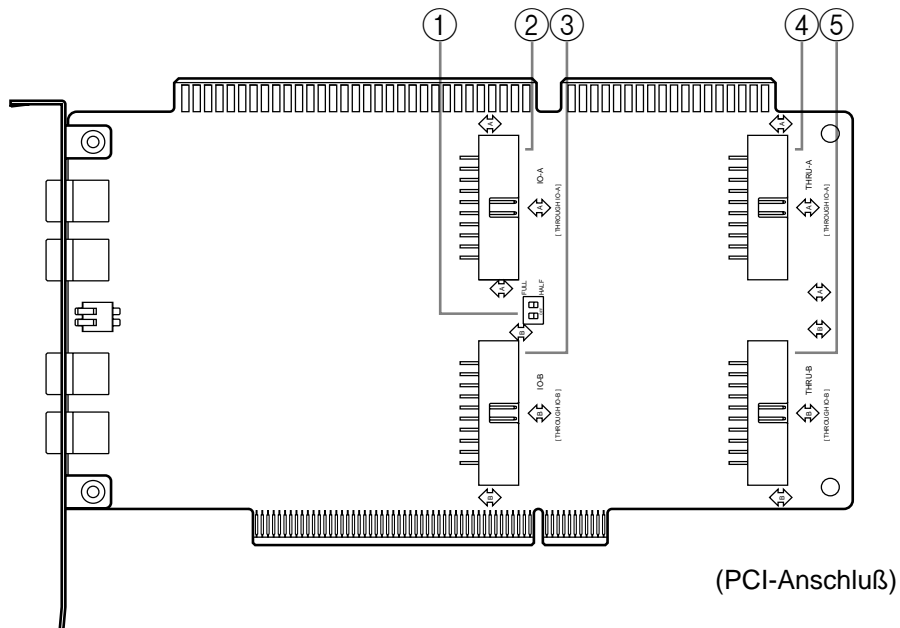
Die über diesen ADAT MultiChannel Optical Digital-Eingang empfangenen Signale werden über den IO-B-Anschluß der Platine weitergeleitet.

⑤ B OUT

Die von der IO-B-Buchse der DS2416 empfangenen Signale werden über diesen ADAT MultiChannel Optical Digital-Ausgang ausgegeben.

Achtung: Wenn die Stecker der verwenden Glasfaserkabel zu breit sind und deshalb nicht vollständig durch die Öffnungen des Erweiterungsschachtes auf der computerrückseite passen, kann es sein, daß sie entweder nicht vollständig angeschlossen werden können oder sich während des Betriebes lösen.

Intern



① HALF/FULL-Schalter

Mit diesen Schaltern können Sie die Wordclock-Parameter einstellen, wenn die DS2416 als Wordclock-Slave der AX16-AT fungieren soll. IO-A und IO-B können getrennt eingestellt werden. Wenn Sie hier “FULL” wählen, so verwendet die nachgeschaltete DS2416 das Wordclock-Signal, welches über den mit dem betreffenden ADAT/THRU-Schalter gewählten Eingang empfangen wird.

In der Regel sollten Sie diese Schalter auf “HALF” stellen (Werksvorgabe), weil die DS2416 dann immer das an der ADAT IN-Buchse anliegende Wordclock-Signal verwendet, ganz gleich, wie der betreffende ADAT/THRU-Schalter eingestellt ist. Das ist z.B. praktisch, wenn Sie abwechselnd die ADAT- und THRU-Anschlüsse (AX44 oder anderes Gerät) verwenden, weil Sie die Wordclock-Einstellung dann nicht jeweils zu ändern brauchen.

Wenn ein an die A IN-Buchse angeschlossenes Gerät als Wordclock-Master fungieren soll, müssen Sie dieses Gerät einschalten und so einstellen, daß es sich als Wordclock-Master verhält. Wenn das Wordclock-Signal aus irgend einem Grund nicht mehr vorliegt, wird automatisch kontrolliert, ob an den THRU-Anschlüssen ein brauchbares Wordclock-Signal anliegt. Ist auch das nicht der Fall, so wird die DS2416 deaktiviert.

(Wenn ein bestimmtes Gerät als Wordclock-Master fungieren soll, muß es auf jeden Fall an die A IN-Buchse angeschlossen werden.)

② IO-A-Anschluß

Diese Anschlußleiste dient zum Durchschleifen der IO-A-Buchse zur DS2416. Verwenden Sie hierfür eines der beiliegenden 20-Pin-Anschlußkabel.

③ IO-B-Buchse

Diese Anschlußleiste dient zum Durchschleifen der IO-B-Buchse zur DS2416. Verwenden Sie hierfür das zweite beiliegende 20-Pin-Anschlußkabel.

④ THRU-A-Anschluß

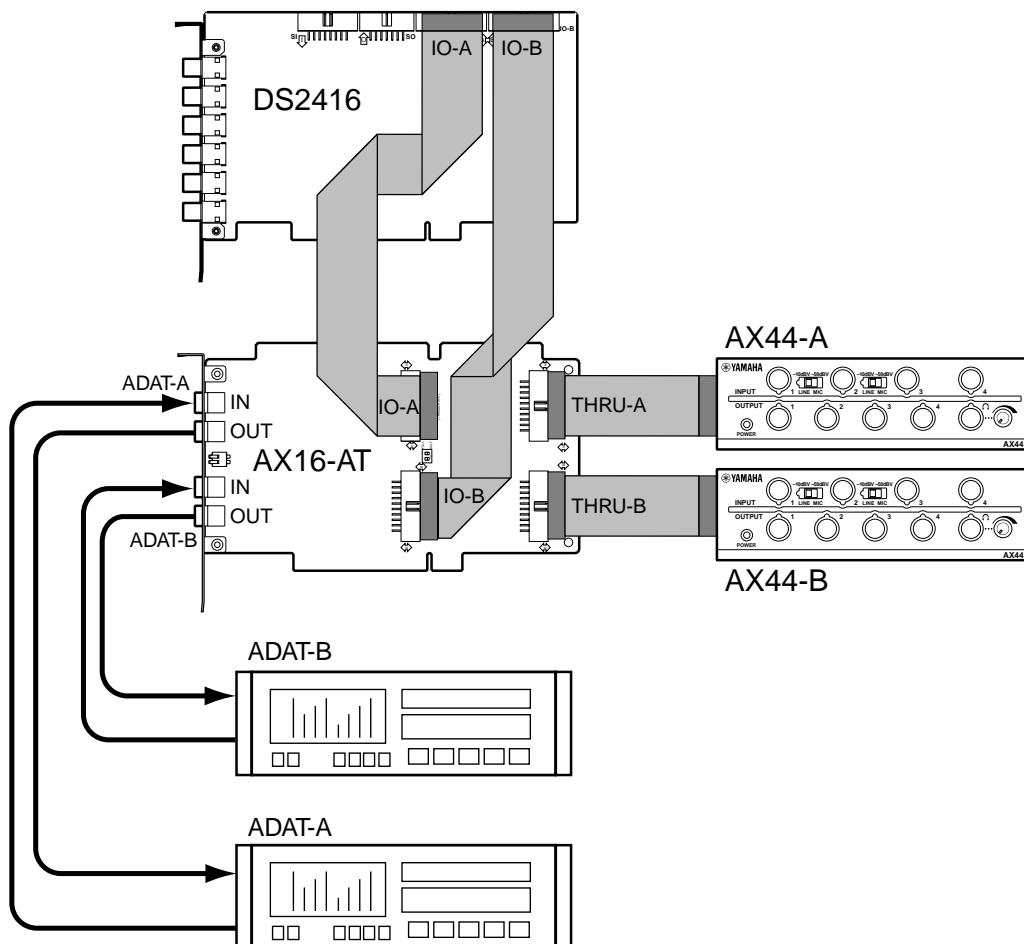
An diese Anschlußleiste können Sie eine Audio-Erweiterungseinheit AX44 anschließen. Verwenden Sie hierfür das zum Lieferumfang der AX44 gehörige 20-Pin-Anschlußkabel.

⑤ THRU-B-Anschluß

An diese Anschlußleiste können Sie eine weitere Audio-Erweiterungseinheit AX44 anschließen. Verwenden Sie hierfür das zum Lieferumfang der AX44 gehörige 20-Pin-Anschlußkabel.

Übersicht der Systemanschlüsse

Nachstehend wird gezeigt, wie man die AX16-AT mit einer DS2416 und zwei AX44-Einheiten verbinden kann. Zu diesem Anlage-Beispiel gehören auch zwei Mehrspurmaschinen mit Ein- und Ausgängen im ADAT-Format, so daß bis zu 16 Kanäle zu und von der DS2416 übertragen werden können.



Wenn Sie mit ADAT-Maschinen arbeiten, müssen Sie den betreffenden ADAT/THRU-Schalter (A oder B) auf "ADAT" stellen. Wenn Sie mit einer AX44 arbeiten möchten, müssen Sie den betreffenden Schalter auf "THRU" stellen.

In dem hier gezeigten Beispiel gibt es drei denkbare Wordclock-Master: die DS2416, ADAT-A oder ADAT-B. (Die Wordclock-Parameter lassen sich nur über geeignete Software einstellen.)

Wenn Sie eine ADAT-Maschine als Wordclock-Master verwenden, müssen Sie sie vor dem Rechner einschalten und ihre Wordclock-Übertragung konfigurieren. Schalten Sie danach den Rechner ein und stellen Sie die Wordclock-Parameter der DS2416 ein.

Einbau der AX16-AT

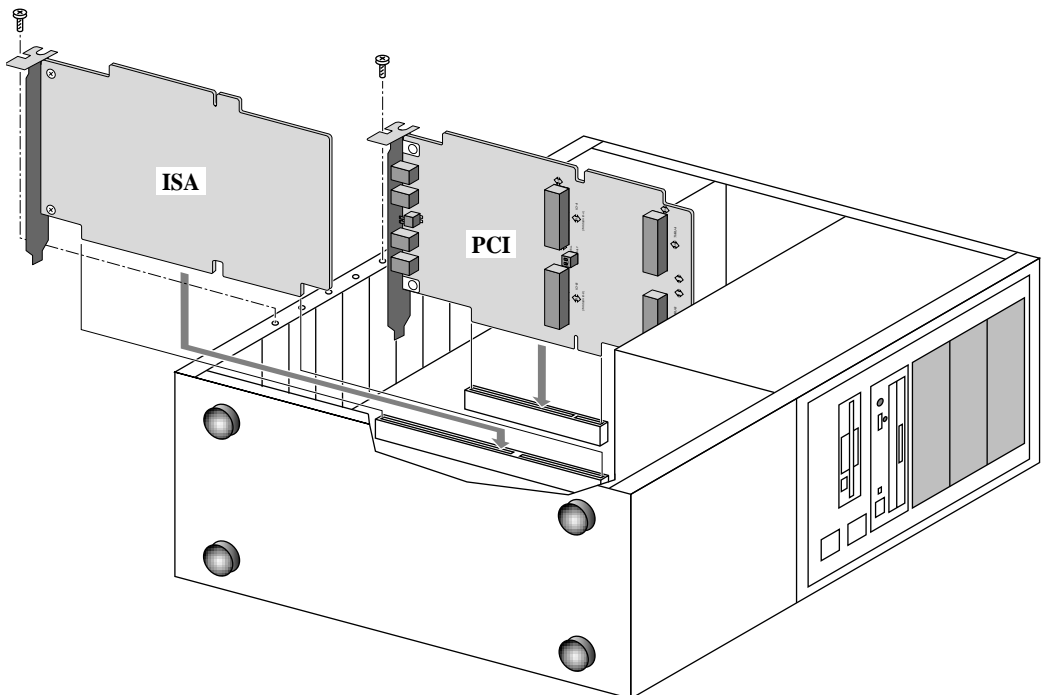
Die AX16-AT paßt in einen PCI- oder ISA-Erweiterungsschacht. Es brauchen weder Jumper (Drahtbrücken) gesteckt noch Interrupts eingestellt zu werden. Wenn Sie sich für eine ISA-Verbindung entscheiden, siehe dann “Anbringen der ISA-Bushalterung” auf Seite 10, bevor Sie weitermachen.

Wie man eine Platine in einen Schacht einbaut, entnehmen Sie bitte der Bedienungsanleitung Ihres Rechners.

- 1** Schalten Sie den Rechner aus und lösen Sie den Netzanschluß.
- 2** Öffnen Sie das Gehäuse des Rechners.
- 3** Wählen Sie einen noch freien PCI-Slot für die AX16-AT und entfernen Sie die betreffende Schachtblende.

Um Ihre AX16-AT nicht durch statische Elektrizitätsentladungen zu beschädigen, sollten vor Anfassen der Platine einen Metallgegenstand des Rechners – z.B. das Gehäuse der Stromversorgung– anfassen.

- 4** Halten Sie die AX16-AT gerade und genau über die Anschlußleiste und schieben Sie sie dann vorsichtig hinein.



- 5** Wenn die Schachtblende mit einer Schraube befestigt war, müssen Sie diese Schraube zum Befestigen der AX16-AT verwenden.

Wichtig: Drehen Sie die Befestigungsschraube gut fest, damit die AX16-AT nicht verrutschen kann.

- 6** Verbinden Sie die IO-A-Anschlußleiste der AX16-AT mit der IO-A-Buchse der DS2416. Verwenden Sie hierfür ein beiliegendes 20-Pin-Kabel. (Das Ende mit dem Ferrit-Stecker muß mit der DS2416 verbunden werden).
- 7** Verbinden Sie die IO-B-Anschlußleiste der AX16-AT mit der IO-B-Buchse der DS2416. Verwenden Sie hierfür das zweite beiliegende 20-Pin-Kabel. (Das Ende mit dem Ferrit-Stecker muß mit der DS2416 verbunden werden).
- 8** Wenn Sie auch eine AX44 besitzen, müssen Sie diese mit ihrem 20-Pin-Kabel an die THRU-A-Leiste der AX16-AT anschließen.
- 9** Wenn Sie zusätzlich eine zweite AX44 verwenden möchten, müssen Sie diese mit ihrem 20-Pin-Kabel an die THRU-B-Leiste der AX16-AT anschließen.
- 10** Schließen Sie das Gehäuse des Rechners wieder.
- 11** Schließen Sie nun die ADAT-Mehrspurmaschine oder ein anderes ADAT-kompatibles Gerät (ein Digital-Mischpult 02R, 03D oder 01V von Yamaha mit ADAT I/O-Platine) an die A oder B IN/OUT-Buchsen auf der Rückseite der AX16-AT an. Hierfür müssen Sie optische EIAJ-Glasfaserkabel verwenden.

Anbringen der ISA-Bushalterung

Vor Einbau der AX16-AT in einen ISA-Schacht müssen Sie die PCI-Bushalterung entfernen und statt dessen die ISA-Bushalterung anbringen.

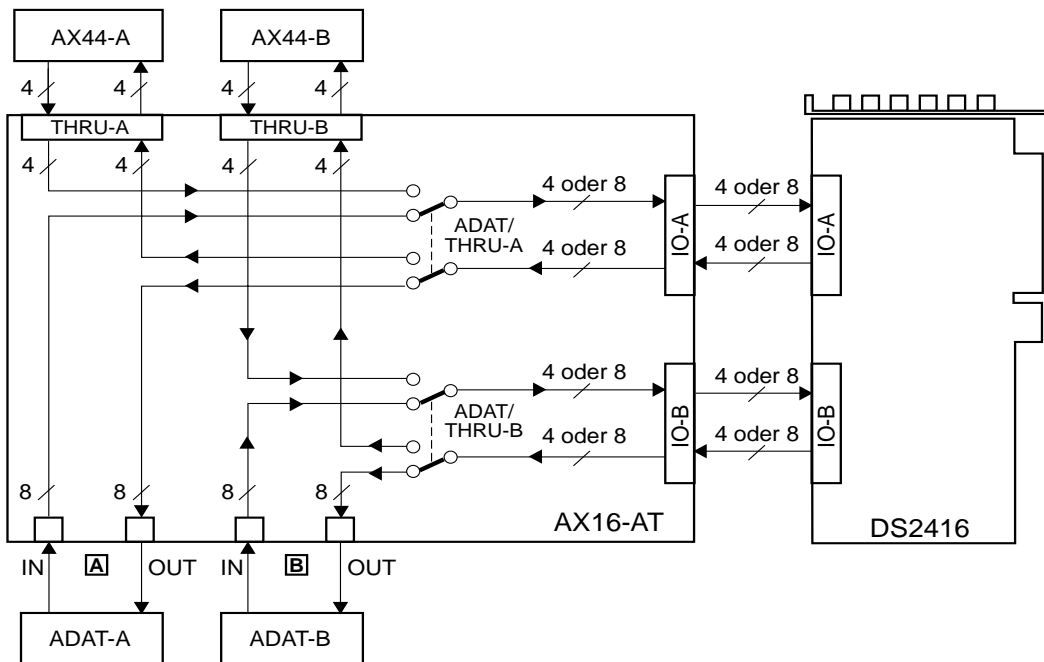
Um Ihre AX16-AT nicht durch statische Elektrizitätsentladungen zu beschädigen, sollten vor Anfassen der Platine einen Metallgegenstand des Rechners – z.B. das Gehäuse der Stromversorgung – anfassen.

- 1** Entfernen Sie die beiden Befestigungsschrauben, mit der die PCI-Bushalterung an der AX16-AT befestigt ist und entnehmen Sie vorsichtig die Halterung.
- 2** Bringen Sie nun mit der gleichen Vorsicht die ISA-Bushalterung an und drehen Sie die oben entfernten Schrauben wieder fest.

Ein-/Ausgangsanwahl für die DS2416

Mit den ADAT/THRU-Schaltern können Sie wählen, welche Signale an die IO-A- und IO-B-Buchse der DS2416 angelegt werden. Wenn Sie einen dieser Schalter auf "ADAT" stellen, so findet der Signaltransfer zwischen der DS2416 und der Außenwelt über die betreffenden ADAT IN- und OUT-Buchsen (A der B) der AX16-AT statt. Bei Einstellung eines Schalters auf "THRU" ist die DS2416 mit einer AX44 verbunden. Die Einstellungen für den IO-A- und IO-B-Anschluß können getrennt vorgenommen werden.

In nachstehender Abbildung steht bei den Signalen von und zur DS2416 deshalb "4 oder 8", weil sich die Anzahl der Kanäle nach der Schaltereinstellung richtet: vier Kanäle bei Anwahl von "THRU" (d.h. AX44) und acht Kanäle bei Einstellung auf "ADAT".



Spezifikationen

Allgemein

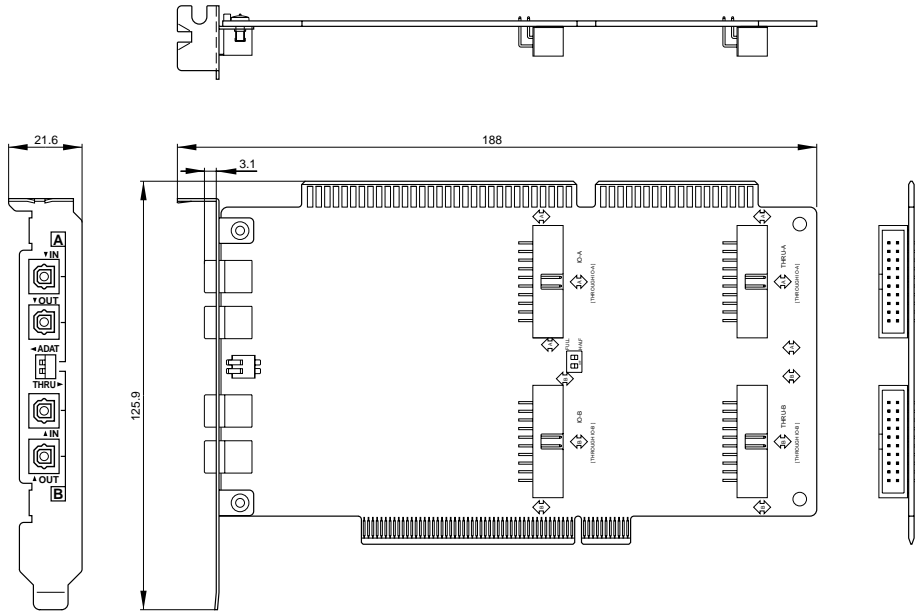
Sampling-Frequenz	Extern	40,013 kHz~50,880 kHz
ADAT/THRU-Schalter		DS2416 E/A-Quellenwahl
WORDCLOCK HALF/FULL-Schalter		Anwahl des Wordclock-Taktgebers
PCI-Bus (nur für Stromversorgung)		Kurze "Raw PCI"-Platine mit variabler Höhe (5 V, 32 Bit)
ISA-Bus (nur für Stromversorgung)		ISA-Platine (5 V, 8 Bit)
Stromversorgung		+5 V (250 mA max.)
Maximale Leistungsaufnahme		1,25 W
Temperatur	Betrieb	+10°C~+35°C
	Lagerung	-20°C~+60°C
Abmessungen (H x L x T)		125,9 (ISA 127,7) x 188 x 21,6 mm
Gewicht		120 g
Lieferumfang		20-Pin-Kabel x2
		ISA-Bushalterung

Digital-Ein-/Ausgänge (E/A)

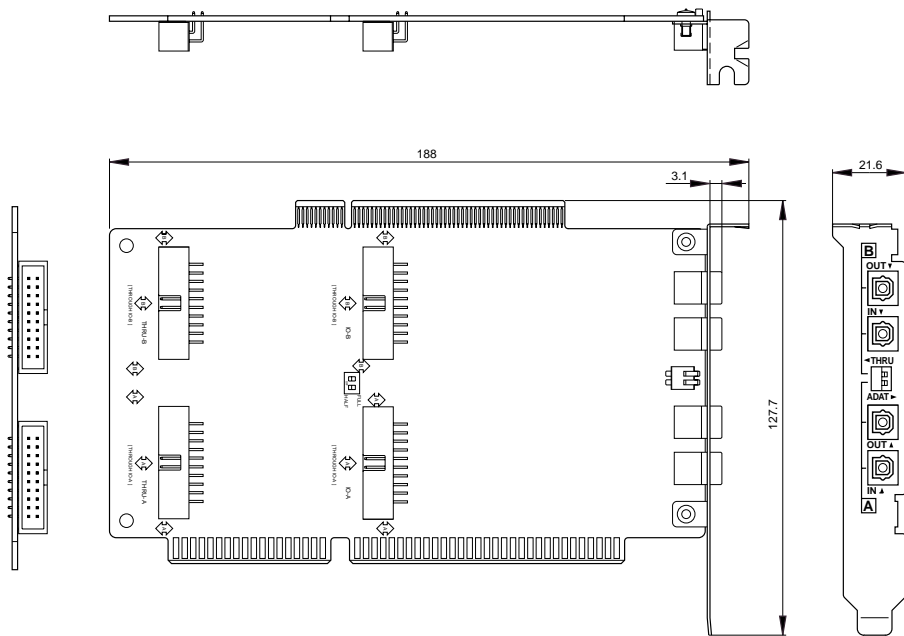
Anschluß	E/A	Format	Pegel	Anschlußtyp
A IN B IN	E	ADAT MultiChannel Optical Digital Interface	—	EIAJ-Glasfaseranschluß
A OUT B OUT	A	ADAT MultiChannel Optical Digital Interface	—	EIAJ-Glasfaseranschluß
IO-A IO-B THRU-A THRU-B	E/A	Digitale Audio-Eingänge (4 oder 8 Kanäle) (2 oder 4 Kanäle, MSB zuerst x2) Digitale Audio-Ausgänge (4 oder 8 Kanäle) (2 oder 4 Kanäle, MSB zuerst x2) Maximal 32 Bit/Kanal DS2416-kompatibles Format	5 V CMOS	20-Pin-Anschluß

Abmessungen

PCI



ISA



Einheit: mm

Änderungen der technischen Daten ohne Vorankündigung vorbehalten.



AX16-AT

AUDIO EXPANSION UNIT



Manual de instrucciones

Español

Contents

Introducción	4
Requisitos del sistema	4
¿PCI o ISA?	4
Controles y conexiones	5
Parte posterior	5
Interior	6
Presentación de la conexión del sistema	8
Instalación de la AX16-AT	9
Ajuste del soporte de instalación ISA-bus	10
Selección de la fuente I/O para la DS2416	11
Especificaciones	12
Dimensiones	13

Avisos importantes

- No coloque la AX16-AT en un lugar sujeto a excesivo calor, luz solar directa, humedad excesiva o polvo.
- Conserve la AX16-AT dentro de la bolsa antiestática, hasta el momento de instalarla.
- Para evitar daños durante el manejo, sostenga la AX16-AT por los extremos o el soporte.
- En caso de tocar por accidente las conexiones del borde de la tarjeta, elimine las huellas digitales mediante un tisú seco.
- No coloque objetos sobre la tarjeta AX16-AT, y no la deje en un lugar en el cual probablemente se coloquen otros objetos sobre ella.
- Antes de retirar la tapa del ordenador, apáguelo y extraiga el cable de alimentación.
- Para evitar daños por electricidad estática, toque una parte del potencial a tierra del ordenador, tal como la caja de alimentación eléctrica, antes de manejar la AX16-AT.

Lista de embalaje

- Tarjeta de expansión del sonido AX16-AT
- Cable x2 de conexión de 20 pines DS2416
- Soporte de montaje ISA-bus
- El presente manual

Marcas registradas

ADAT MultiChannel Optical Digital Interface es una marca registrada, y ADAT y Alesis son marcas registradas de Alesis Corporation. Yamaha es una marca registrada de Yamaha Corporation. Todas las demás marcas registradas constituyen la propiedad de sus correspondientes poseedores y se las reconoce en el presente.

Derechos de autor

Está prohibida la reproducción o distribución del Manual del Usuario de la AX16-AT de cualquier forma o medio, sin que exista la previa autorización cursada por escrito de Yamaha Corporation, Inc.

© 1998 Yamaha Corporation. Todos los derechos reservados.

Conserve el presente manual para futura referencia

Introducción

Gracias por haber adquirido la tarjeta de expansión del sonido Yamaha AX16-AT. La AX16-AT es una tarjeta para interfaz digital de formato ADAT, para la tarjeta mezcladora digital Yamaha DS2416. Dos entradas y dos salidas ADAT MultiChannel Optical Digital significan que es posible transferir en forma simultánea hasta 16 canales de sonido digital formato ADAT, entre la DS2416 y una grabadora multipista u otro dispositivo compatible con el formato ADAT, tal como una consola mezcladora digital Yamaha 02R, 03D o 01V con una tarjeta ADAT I/O (Entrada/salida) instalada.

Requisitos del sistema

- Ordenador compatible con la DS2416, equipado con unidad libre PCI o ISA-bus
- Tarjeta mezcladora digital Yamaha DS2416
- Software de sonido compatible con la DS2416

¿PCI o ISA?

La AX16-AT está configurada para ser instalada en una unidad PCI-bus, pero también es posible instalarla en una unidad ISA, simplemente cambiando el soporte de instalación suministrado. Puesto que los ordenadores Apple Power Macintosh DS2416 compatibles no soportan el bus ISA, se debe utilizar la AX16-AT en una unidad PCI con los Power Macs. Sin embargo, en los ordenadores con Windows compatibles con la DS2416, es posible utilizar la AX16-AT en una unidad PCCI o ISA-bus, lo cual significa que aunque todas las unidades PCI estén ocupadas y las únicas libres sean ISA, se puede instalar la AX16-AT.

Importante: si utiliza la DS2416 y AX16-AT en un ordenador con Windows 95 o Windows 98, asegúrese de usar la versión V103 o posterior del controlador de la DS2416.

Importante: La última versión del software controlador se encuentra disponible para transferencia gratuita en el sitio Web de Sonido Profesional Yamaha.

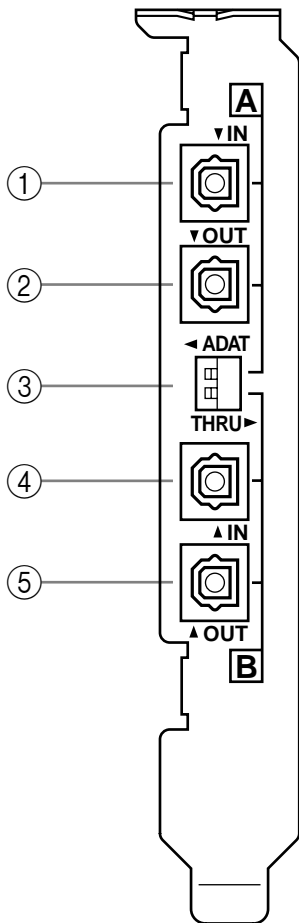
<<http://www.yamaha.co.jp/product/proaudio/homeenglish/>>

La versión V102 o anterior del controlador de la DS2416 no soporta el interruptor ADAT/THRU de la AX16-AT. Sin embargo, se puede lograr que lo reconozca volviendo a iniciar el software de sonido soporte de la DS2416.

Importante: cuando se utiliza el modo Vari Pitch (variación de tono) interno de la DS2416, el reloj de palabra o la velocidad de muestreo varían de forma correspondiente y es posible que algunos dispositivos que están conectados a la AX16-AT para usar como esclavos del reloj de palabra no se puedan sincronizar correctamente. No obstante, quizá se sincronicen correctamente en algunos parámetros (velocidades de muestreo resultantes) pero no en otros.

Controles y conexiones

Parte posterior



(Instalación en PCI)

① A IN (Entrada)

Se alimentan las señales que llegan a la entrada ADAT Multi-Channel Optical Digital a través del conector IO-A de esta tarjeta.

② A OUT (Salida)

Las señales provenientes de las salidas IO-A de la DS2416 se envían a través de esta salida ADAT MultiChannel Optical Digital.

③ A y B interruptores ADAT/THRU

Se utilizan estos interruptores para seleccionar las señales de entrada y salida para los conectores IO-A e IO-B de esta tarjeta. Es posible instalar en forma separada IO-A e IO-B. En la posición ADAT, la DS2416 recibe y transmite señales mediante los conectores A o B IN y OUT de esta tarjeta. En la posición THRU, la DS2416 recibe y transmite señales a través de los conectores A o B THRU ubicados en esta tarjeta.

④ B IN (Entrada)

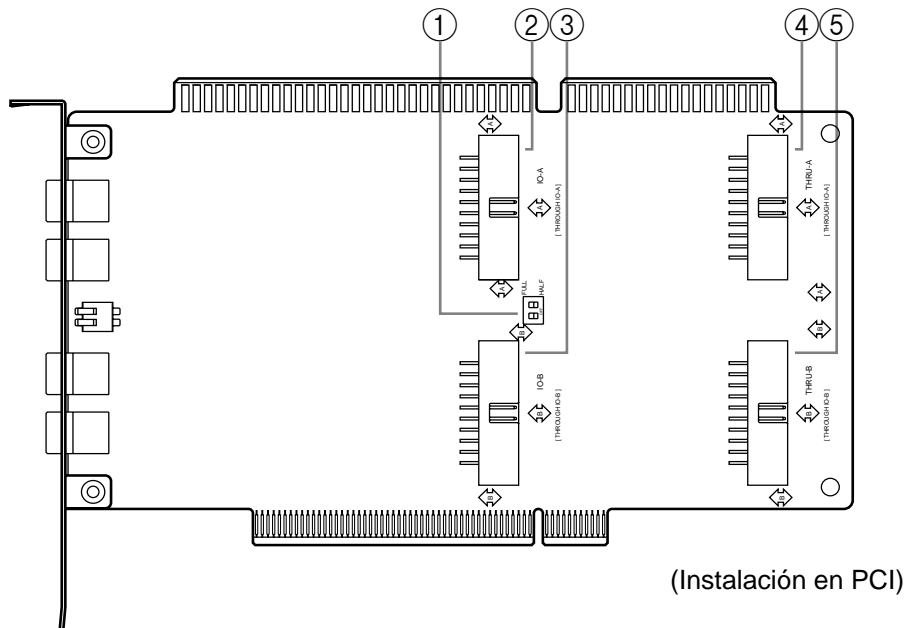
Las señales que llegan a esta entrada ADAT MultiChannel Optical Digital se alimentan a través del conector IO-B ubicado en esta tarjeta.

⑤ B OUT (Salida)

Las señales provenientes de las salidas IO-B de la DS2416 se envían a través de esta salida ADAT MultiChannel Optical Digital.

Nota: sepa que si el cuerpo de las clavijas de los cables ópticos es demasiado grande y no pasa por los orificios de las ranuras de expansión ubicados en la parte posterior de su ordenador, es probable que no encajen correctamente dentro de los enchufes hembra ADAT y se aflojen.

Interior



① Interruptores HALF/FULL (SEMI/COMPLETO)

Se utilizan estos interruptores para configurar la operación del reloj de palabra cuando se utiliza la DS2416 como esclava de éste y recibe su generador de palabra de la AX16-AT. Es posible configurar individualmente la IO-A y la IO-B. En la posición FULL (completo), la DS2416 deriva su reloj de palabra de la fuente seleccionada mediante los interruptores ADAT/THRU.

Normalmente, se deberían ajustar estos interruptores en posición HALF, la configuración predeterminada, en cuyo caso la fuente de reloj de palabra de la DS2416 se encuentra siempre en el conector ADAT IN, independientemente de los ajustes del interruptor ADAT/THRU. Esto es conveniente cuando se alterna entre los conectores ADAT y THRU (AX44 u otro dispositivo), porque no es necesario modificar los parámetros del reloj de palabra.

Cuando se utiliza un dispositivo externo conectado al conector A IN como reloj de palabras maestro, se debe activar ese dispositivo y configurarlo correctamente para la operación maestra del reloj de palabra. Si, por algún motivo, se pierde el reloj de palabra externo, se verifican los conectores THRU para detectar un reloj de palabra utilizable y, si no se lo encuentra en ninguno, la DS2416 deja de funcionar.

(Para utilizar un dispositivo externo como reloj de palabra maestro, se lo debe conectar al conector A IN.)

② Conector IO-A

Este conector conecta el IO-A en la DS2416 por medio del cable de conexión de 20 pines proporcionado.

③ Conector IO-B

Este conector conecta el IO-B en la DS2416 por medio del cable de conexión de 20 pines proporcionado.

④ Conector THRU-A

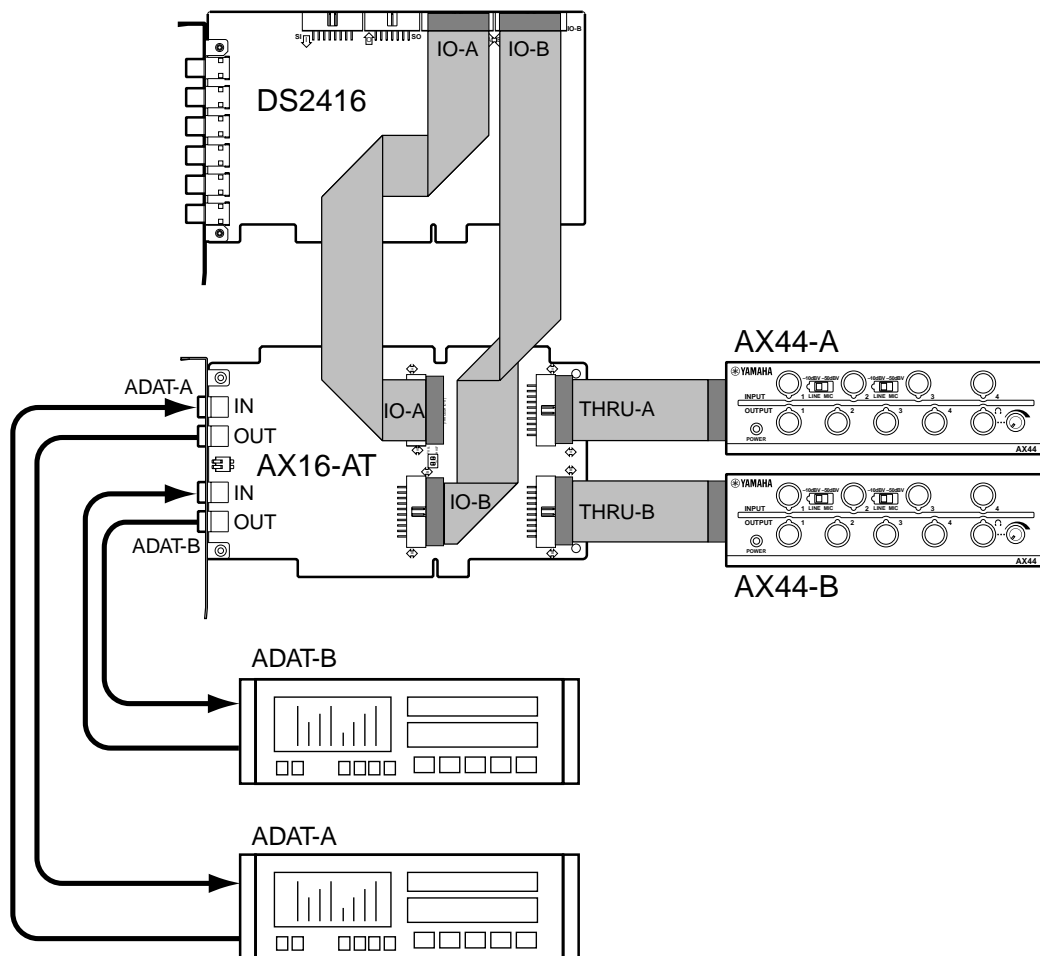
Este conector realiza la conexión a la primera Unidad de expansión del sonido AX44 por medio del cable de conexión de 20 pines que se incluye con la AX44.

⑤ Conector THRU-B

Este conector realiza la conexión a la segunda Unidad de expansión del sonido AX44 por medio del cable de conexión de 20 pines que se incluye con la AX44.

Presentación de la conexión del sistema

El siguiente diagrama muestra la forma en que se conecta la AX16-AT a la DS2416 y las AX44. Asimismo, se muestran dos grabadoras multipista digitales con entradas y salidas formato ADAT, para un total de hasta 16 canales de transferencia digital del sonido entre ellas y la DS2416.



Cuando utilice un formato ADAT, coloque el interruptor respectivo ADAT/THRU (A o B) en ADAT. Para utilizar una AX44, coloque el interruptor en THRU.

En el sistema que aquí se muestra, se podría usar la DS2416, ADAT-A o ADAT-B como reloj de palabra maestro. (Se requiere software de soporte para ajustar el reloj de palabra.)

En caso de que se utilice una grabadora ADAT como reloj de palabra maestro, encienda primero la ADAT, ajuste su reloj de palabra, y luego el de la DS2416.

Instalación de la AX16-AT

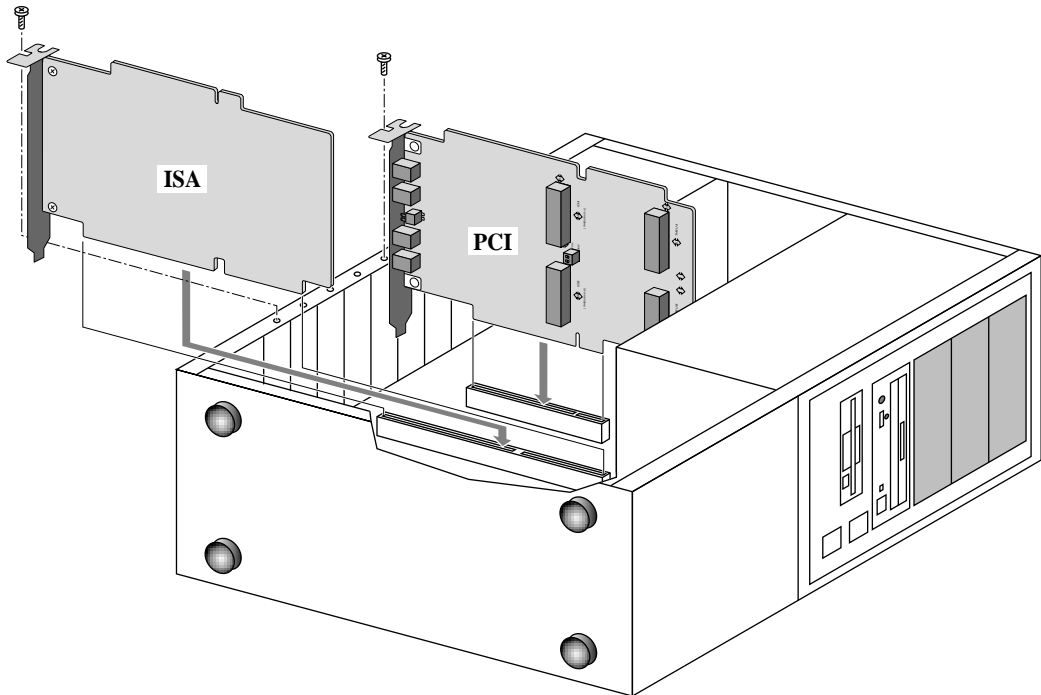
Se instala la AX16-AT en una sola unidad de expansión PCI o ISA; no exige parámetros especiales de puente ni de interrupción. Si realiza la instalación en una unidad ISA, consulte en la página 9 “Ajuste del soporte de instalación ISA-bus”, antes de continuar con este procedimiento.

Consulte en el manual de su ordenador todos los detalles referidos a la instalación de tarjetas.

- 1** Apague el ordenador y desconecte el cable de alimentación.
- 2** Retire la tapa del ordenador.
- 3** Seleccione una unidad vacía para la AX16-AT y retire la tapa para unidad de expansión.

Para evitar que la electricidad estática dañe la AX16-AT, toque una parte del potencial a tierra del ordenador, tal como la caja de alimentación eléctrica, antes de manejarlo.

- 4** Con cuidado, vuelva a alinear e insertar la AX16-AT en la unidad.



- 5** Si la tapa de la unidad para expansión se mantenía en posición por medio de un tornillo, asegure la AX16-AT con el mismo tornillo.

Importante: Ajuste el tornillo de ajuste de la unidad para expansión de modo tal que la AX16-AT no vibre en la unidad.

- 6** Conecte el AX16-AT IO-A al conector IO-A de la DS2416 por medio del cable de 20 pines proporcionado (conecte el extremo del cable con el centro de ferrita a la DS2416).
- 7** Conecte el AX16-AT IO-B al conector IO-B de la DS2416 por medio del cable de 20 pines proporcionado (conecte el extremo del cable con el centro de ferrita a la DS2416).
- 8** En caso de que emplee una AX44, haga la conexión del conector THRU-A de la AX16-AT a la primera AX44 por medio del cable de 20 pines que se incluye con la AX44.
- 9** En caso de que emplee una segunda AX44, haga la conexión del conector THRU-B de la AX16-AT a la segunda AX44 por medio del cable de 20 pines que se incluye con la AX44.
- 10** Vuelva a colocar la tapa del ordenador.
- 11** Conecte su grabadora multipista ADAT, u otro dispositivo ADAT compatible, tal como una consola mezcladora digital Yamaha 02R, 03D o 01V con tarjeta ADAT I/O instalada, a los conectores A o B IN/OUT ubicados en la parte posterior de la AX16-AT, por medio de cables de fibra óptica EIA.

Ajuste del soporte de instalación ISA-bus

Antes de instalar la AX16-AT en una unidad ISA-bus, debe reemplazar el soporte de instalación PCI-bus por el ISA-bus.

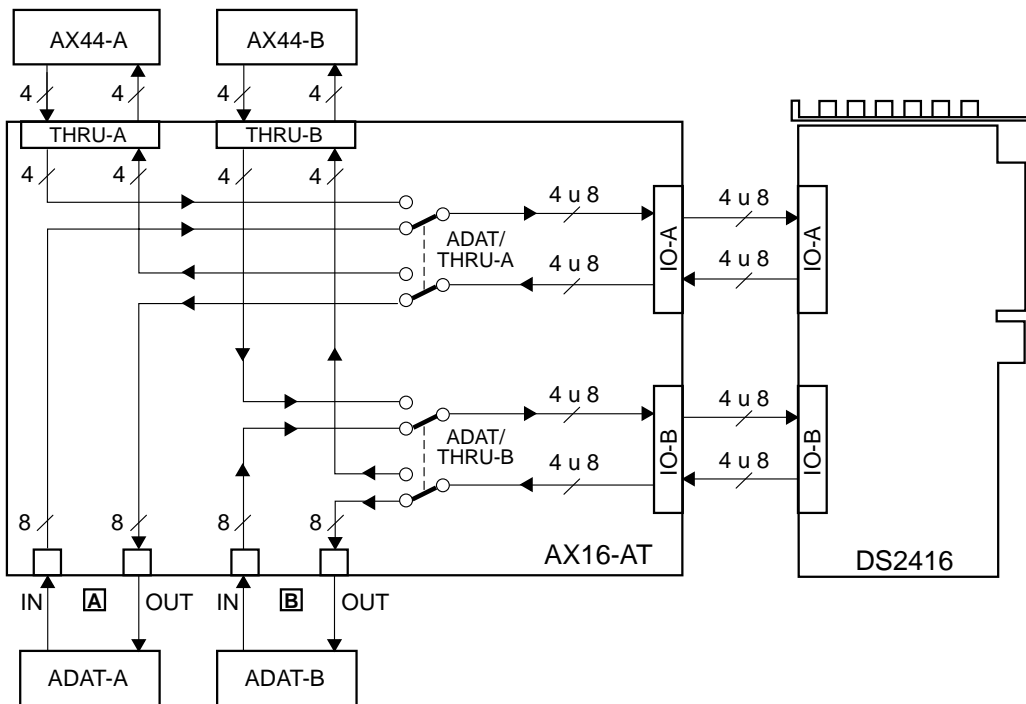
Para evitar que la electricidad estática dañe la AX16-AT, toque una parte del potencial a tierra del ordenador, tal como la caja de alimentación eléctrica, antes de manejarlo.

- 1** Retire los dos tornillos que sujetan el soporte de instalación PCI-bus a la tarjeta AX16-AT y, con cuidado, retire el soporte de instalación.
- 2** Con cuidado, ajuste el soporte de instalación ISA-bus y asegúrelo por medio de los dos tornillos que extrajo antes.

Selección de la fuente I/O para la DS2416

Los interruptores ADAT/THRU seleccionan las fuentes de entrada y salida para los conectores IO-A e IO-B en la DS2416. En la posición ADAT, la DS2416 recibe y transmite señales a través de los conectores ADAT IN y OUT ubicados en la AX16-AT, como se indica en el siguiente diagrama. En la posición THRU, la DS 2416 recibe y transmite señales a través de las AX44. Es posible alternar en forma independiente IO-A e IO-B.

Las líneas provenientes de la DS2416 están identificadas “4 u 8” porque portan cuatro canales de sonido cuando están en THRU (es decir, AX44) y ocho canales cuando están en ADAT.



Especificaciones

General

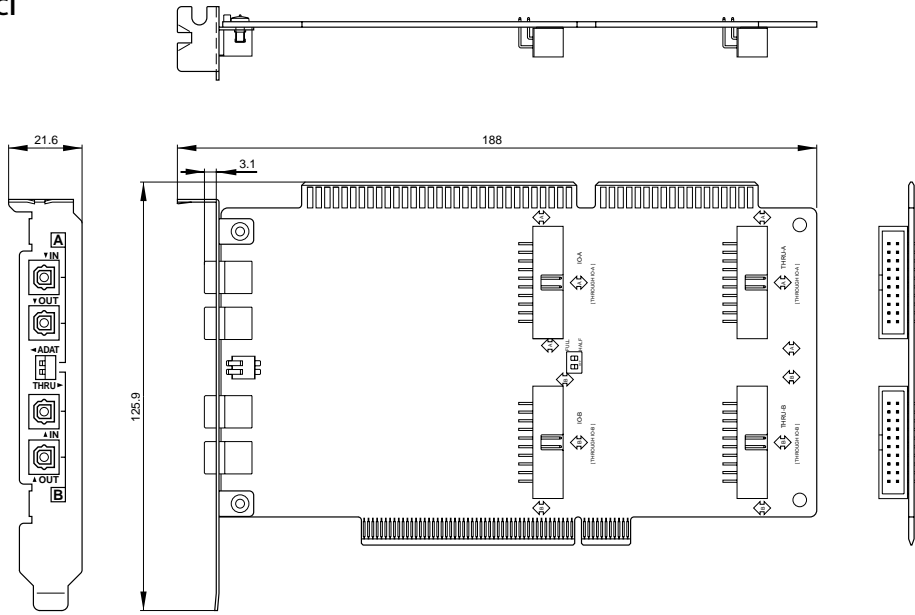
Velocidad de muestreo	Externo	40,013 kHz a 50,880 kHz
Interruptores ADAT/THRU		Selección de fuente I/O de la DS2416
Interruptores de reloj de palabra HALF/FULL		Selección de fuente de reloj de palabra
PCI-bus (sólo para alimentación eléctrica)		Tarjeta corta de altura variable sin rectificar PCI (5 V, 32 bit)
ISA-bus (sólo para alimentación eléctrica)		Tarjeta ISA (5 V, 8 bit)
Alimentación eléctrica		+5 V (250 mA máximo)
Consumo máximo de energía		1,25 W
Temperatura	de operación	+10°C a +35°C
	de conservación	-20°C a +60°C
Dimensiones (Alto x Largo x Profundidad)		125,9 (ISA 127,7) x 188 x 21,6 mm (4,95 x 7,4 x 0,85 pulgadas)
Peso		120 g (4,2 onzas)
Accesorios		cable x2 de 20 pines
		soporte de instalación para ISA-bus

I/O Digital (Entrada/Salida)

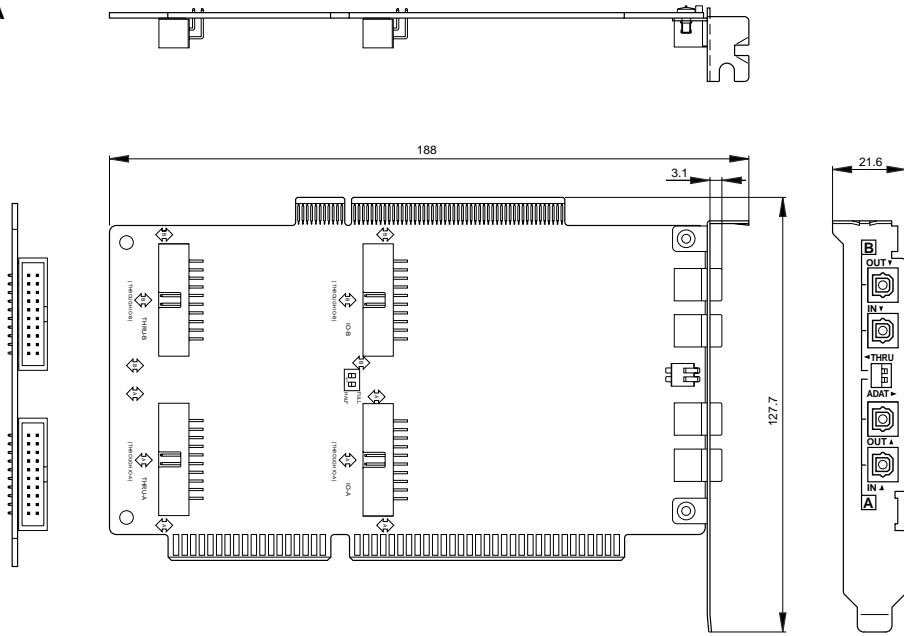
Conexión	I/O (Entrada /salida)	Formato	Nivel	Conector
A IN (Entrada) B IN (Entrada)	I	ADAT MultiChannel Optical Digital Interface	—	Enchufe de clavija de fibra óptica EIAj
A OUT (Salida) B OUT (Salida)	O	ADAT MultiChannel Optical Digital Interface	—	Enchufe de clavija de fibra óptica EIAj
IO-A IO-B THRU-A THRU-B	I/O	Entradas digitales de sonido 4CH u 8CH (línea 2CH o 4CH, MSB primero x 2) Salidas digitales de sonido 4CH u 8CH (línea 2CH o 4CH, MSB primero x 2) Canal/máximo 32 bit Formato compatible con la DS2416	5 V CMOS	Conector de 20 pines

Dimensiones

PCI



ISA



Unidad: mm

Las especificaciones y el aspecto externo se encuentran sujetos a cambios sin notificación previa.



AX16-AT

オーディオエクспанションカード



取扱説明書



この装置は情報処理装置等電波障害自主規制協議会(VCCI)の基準に基づくクラスB情報技術装置です。この装置は、家庭環境で使用することを目的としていますが、この装置が、ラジオやテレビジョン受信機に近接して使用されると、受信障害を引き起こすことがあります。

この説明書に従って正しい取扱いをしてください。

目次

ご使用上の注意	3
梱包内容	3
はじめに	4
システム環境	4
PCI と ISA	4
各部の名称と機能	5
パネル部	5
基板部	6
システム接続図	7
AX16-AT の取り付け	8
ISA バス用ブラケットの取り付け	9
DS2416 の IO ソースの選択	10
仕様	11
一般仕様	11
デジタル入出力仕様	11
寸法図	12

ご使用上の注意

- * 高温高湿、直射日光のあたる場所、ほこりの多い場所には本カードを置かないでください。
- * 取り付けを行う直前までは、必ず静電気防止用の袋に保管しておいてください。
- * 取り扱いにはカードを損傷しないよう、カードの端またはブラケットを持っていないに行ってください。
- * カードの端にある接続部に万一触ってしまった場合は、乾いたティッシュペーパーで指紋を拭き取ってください。
- * カードの上には物を置かないでください。また、他の物をカードの上に積んでしまいやすい場所には置かないでください。
- * コンピューターのケースを外す前に、必ずコンピューターの電源を切り電源コードを抜いてください。
- * 静電気による損傷を避けるため、カードを取り扱う前に電源ケースなど接地されているコンピューターの金属部品に触ってください。

梱包内容

- * オーディオ拡張カード AX16-AT
- * DS2416 用 20 ピン接続ケーブル 2 本
- * ISA バス取り付け用ブラケット
- * 本取扱説明書

本取扱説明書の任意の部分をどんな方法を使用しても複製・配布することは、ヤマハ株式会社の文書による事前の承認がない限り禁止します。

ADAT MultiChannel Optical Digital Interface、ADATおよびAlesisはそれぞれアレス社の商標、および登録商標です。

YamahaはYamaha Corporation, Incの商標です。

その他の商標は各商標所有者の財産であり承認されています。

はじめに

このたびはヤマハオーディオエキスパンションカードAX16-ATをお買い上げいただきありがとうございます。本カードはヤマハデジタルミキシングカードDS2416用、ADATフォーマットのデジタルインターフェースカードで、ADATオプティカル入力2系統、出力2系統を備えており、DS2416とADATやADAT I/Oカードを装着したヤマハデジタルミキサー02R、03D、01VなどのADAT対応機器との間で、最高16チャンネルのADATフォーマットのデジタルオーディオを同時転送できます。

本カードの優れた機能を十分に発揮させるとともに、未永くご愛用いただくために、この取扱説明書をご使用前に必ずお読みください。お読みになったあとは、保証書とともに保管してください。

システム環境

- ・ PCIバススロットまたはISAバススロットが使用できるDS2416対応コンピューター
- ・ ヤマハデジタルミキシングカードDS2416
- ・ ヤマハデジタルミキシングカードDS2416対応のオーディオソフトウェア

PCI と ISA

本カードはPCIバススロットに取り付け、設定するようになっていますが、同梱の取り付けブラケットを交換するだけでISAバススロットにも取り付けできます。DS2416対応のApple Power MacintoshコンピューターはISAバスを搭載していないので、Power Macでは本カードをPCIスロットに取り付けます。

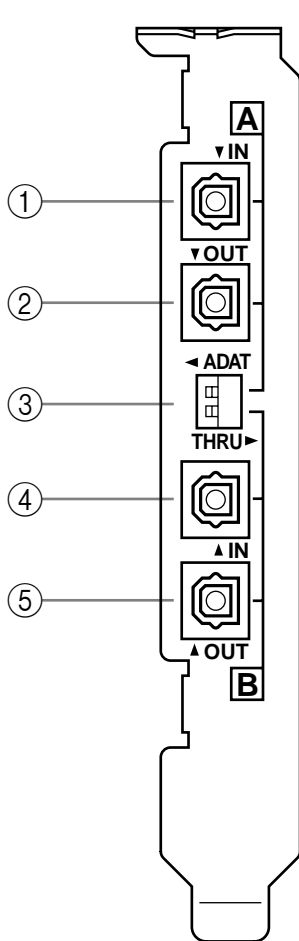
DS2416対応WindowsコンピューターではPCIバス、ISAバスのいずれかのスロットに取り付けることができるので、PCIスロットがすべてふさがっていてもISAスロットが空いていれば、これを使用して本カードを取り付けることができます。

重要: DS2416と本カードをWindows95/98で使用する場合は、必ずDS2416ドライババージョンV103またはそれ以降のバージョンをお使いください。最新のドライバはヤマハ・プロ用音響機器のホームページで入手できます。
< <http://www.yamaha.co.jp/product/proaudio/> >
DS2416ドライババージョンV102または、それ以前のバージョンでは、本カードのADAT/THRUスイッチは機能しませんが、DS2416対応アプリケーションを一度終了し、再度立ち上げれば本カードのADAT/THRUスイッチは認識され機能します。

重要: DS2416のインターナルバリピッチモードが使われているとき、ワドクロックあるいはサンプリング周波数は、それによって変化します。本カードに接続された、ワドクロックスレブ機器で使われる機器には、設定されるサンプリング周波数によっては正しく同期できない機器があります。

各部の名称と機能

パネル部



Ⓐ IN端子

ADATオプティカル入力端子です。この端子に入力された信号は本カードのIO-Aコネクタ(Ⓐ)へ送られます。

Ⓐ OUT端子

ADATオプティカル出力端子です。DS2416のIO-A端子(Ⓐ)からの信号はここから出力されます。

ADAT/THRUスイッチ

本カードのIO-A(Ⓐ) \ IO-B(Ⓑ)コネクタの入出力信号を選択するスイッチです。ADATの位置に設定すると、DS2416は本カードのⒶあるいはⒷのIN、OUT端子を通してADATの信号を送受信します。THRUの位置に設定すると、本カードのTHRU-A、Bコネクタ経由の信号を送受信します。Ⓐ、Ⓑそれぞれ独立して設定できます。

Ⓑ IN端子

ADATオプティカル入力端子です。この端子に入力された信号は本カードのIO-Bコネクタ(Ⓑ)へ送られます。

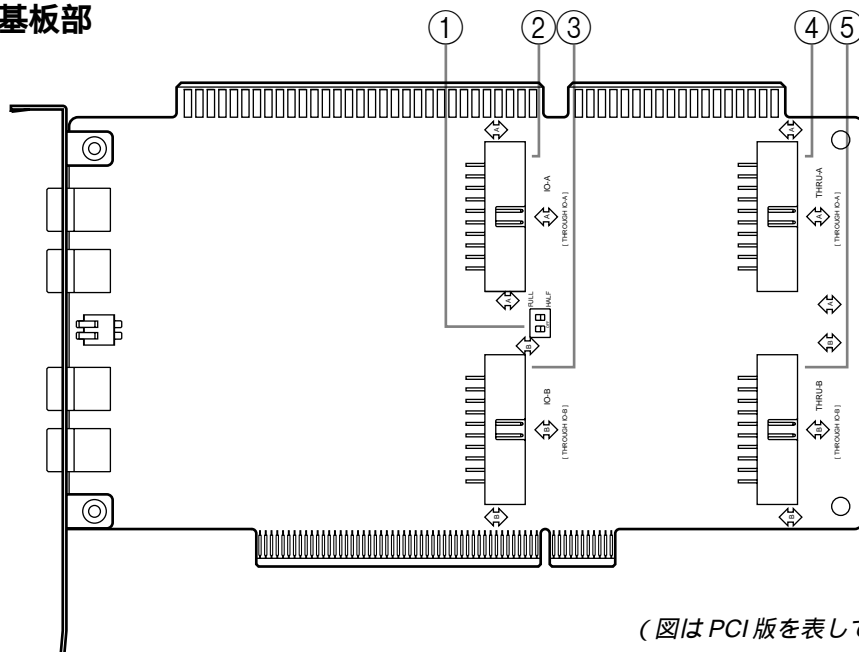
Ⓑ OUT端子

ADATオプティカル出力端子です。DS2416のIO-B端子(Ⓑ)からの信号はここから出力されます。

注意: コンピュータの拡張スロットの幅よりも光コネクタのプラグが大きいケーブルを使用すると、確実に接続できないことがあります。

(図はPCI版を表しています)

基板部



(図は PCI 版を表しています)

HALF/FULLスイッチ

DS2416をワ - ドクロックスレ - ブとして使用し、本カ - ドからのワ - ドクロックを使用するとき、ワ - ドクロック設定を行うスイッチです。③、④それぞれ独立して設定できます。「FULL」の位置に設定するとDS2416は本カ - ドのADAT/THRUスイッチで選択されたソ - スのワ - ドクロックを使用します。通常は「HALF」(工場出荷設定)の位置でお使いください。「HALF」の位置ではDS2416のワ - ドクロックソ - スは本カ - ドのADAT/THRUスイッチの設定に関係なく常に本カ - ドのIN端子からのワ - ドクロックを使用します。DS2416を本カ - ドのTHRU-A、-Bコネクタ - に接続された機器(AX44など)とADATを切り替えて使用する場合に、ワ - ドクロックを再設定する必要がなくなり便利です。ADATをワードクロックマスターとして使用する場合は③ IN端子にADAT出力を接続してください。

本カ - ドのIN端子に接続した外部機器をワ - ドクロックマスターとする場合、外部機器の電源を入れ、正しくワ - ドクロック設定を行う必要があります。IN端子に外部機器からのワ - ドクロック供給がなくなると、DS2416はTHRUコネクタ - 側にワ - ドクロックを求めます。THRUコネクタ - にもワ - ドクロックがない場合は、DS2416は動作を休止してしまいます。

IO-Aコネクタ

付属の20ピン接続ケーブルでDS2416のIO-A端子(①)に接続します。

IO-Bコネクタ

付属の20ピン接続ケーブルでDS2416のIO-B端子(②)に接続します。

THRU-Aコネクタ

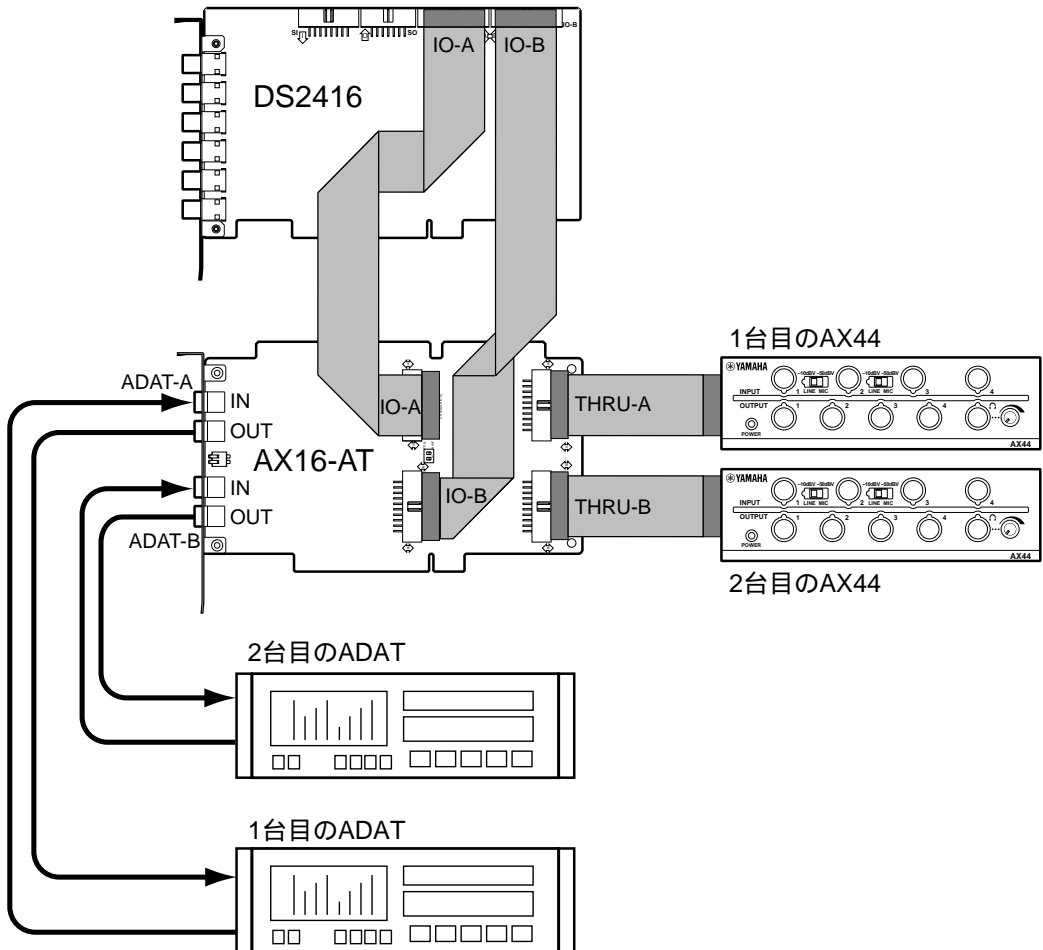
AX44に同梱の20ピン接続ケーブルで、1台目のAX44に接続します。

THRU-Bコネクタ

AX44に同梱の20ピン接続ケーブルで、2台目のAX44に接続します。

システム接続図

次の図は本カードをDS2416とAX44に接続した状態を示しています。またADATフォーマットの入出力を搭載した2台のデジタルMTRを接続して、DS2416との間で最高16チャンネルまでのデジタルオーディオを転送します。



ADATを使用する場合は該当するADAT/THRUスイッチ (AあるいはB) をADAT側に設定します。AX44を使用する場合はADAT/THRUスイッチをTHRU側に設定します。

上図のシステムではDS2416が1台目のADATあるいは2台目のADATのどちらかをワードクロックマスターにすることができます。(ワードクロックの設定にはアプリケーションソフトが対応している必要があります。)

ADATをワードクロックマスターに使用する場合は、必ずADATの電源を最初に入れADATのワードクロック設定を行い、それからDS2416のワードクロックを設定、という順で行ってください。

AX16-AT の取り付け

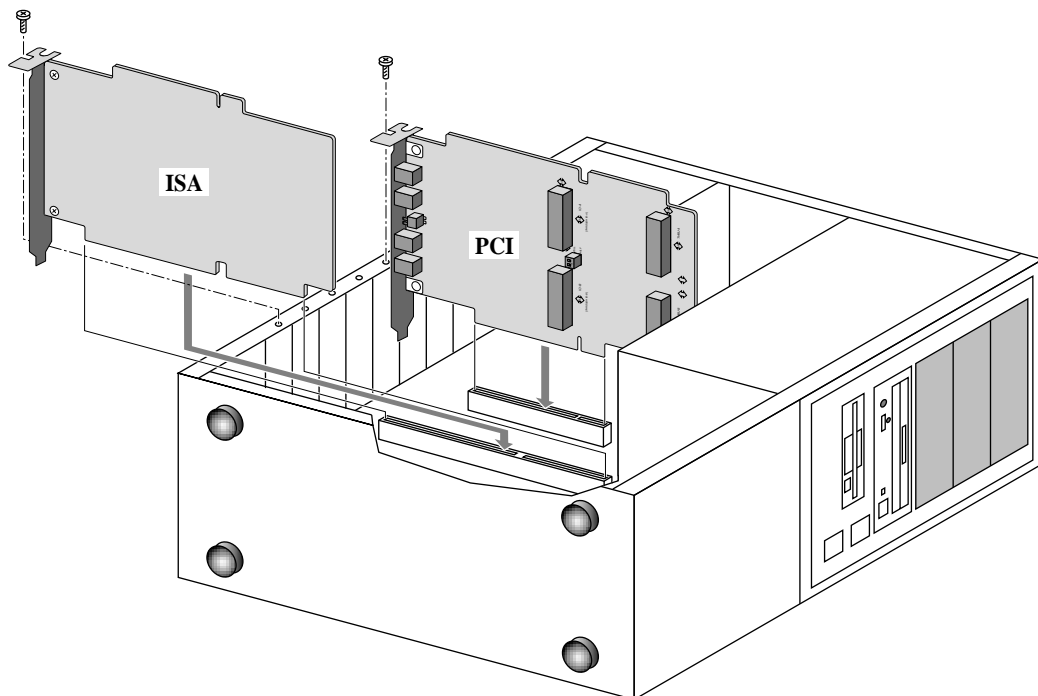
本カードはコンピューターのPCIまたはISA拡張スロットに取り付けます。特別なジャンパー設定や割り込み設定 (IRQ) は不要です。ISAスロットに取り付ける場合は下記の手順に進む前に7ページの「ISAバス用ブラケットの取り付け」をお読みください。

カードの取り付けについての詳細は、お使いのコンピューターの取扱説明書をご参照ください。

- 1 コンピューターの電源を切り、電源コードを抜いてください。
- 2 コンピューターのカバーを取り外してください。
- 3 空いているスロットを本カード取り付け用を選び、そのカバーを外してください。

静電気によるカードの損傷を避けるため、カードを取り扱う前に電源ケースなど接地されているコンピューターの金属部分に触ってください。

- 4 本カードを拡張スロットに正しく挿入してください。



- 5 拡張スロットのカバーがネジで止められていた場合は、同じネジを使ってカードを固定してください。

注意: カードがぐらつかないように、必ずしっかりと締めてください。

- 6 同梱の20ピンケーブルを使用して本カードのIO-AコネクタとDS2416のIO-A端子を接続してください。(ケーブルのフェライトコアのある側をDS2416に接続します。)

- 7 同梱の20ピンケーブルを使用して本カードのIO-BコネクタとDS2416のIO-B端子を接続してください。(ケーブルのフェライトコアのある側をDS2416に接続します。)
- 8 AX44を使用する場合はAX44に同梱の20ピンケーブルを使用して、本カードのTHRU-Aコネクタと1台目のAX44を接続してください。
- 9 2台目のAX44を使用する場合はAX44に同梱の20ピンケーブルを使用して、本カードのTHRU-Bコネクタと2台目のAX44を接続してください。
- 10 コンピュータのカバーを取り付けてください。
- 11 ADATまたはADAT I/Oカード搭載のヤマハデジタルミキサー02R、03D、01VなどのADAT対応機器を、EIAJ光ファイバケーブルを使用して本カードの[A]、[B] IN/OUT端子に接続してください。

ISA バス用ブラケットの取り付け

本カードをISAバス拡張スロットに取り付ける前に、PCIバス用ブラケットをISAバス用ブラケットに取り替えることが必要です。

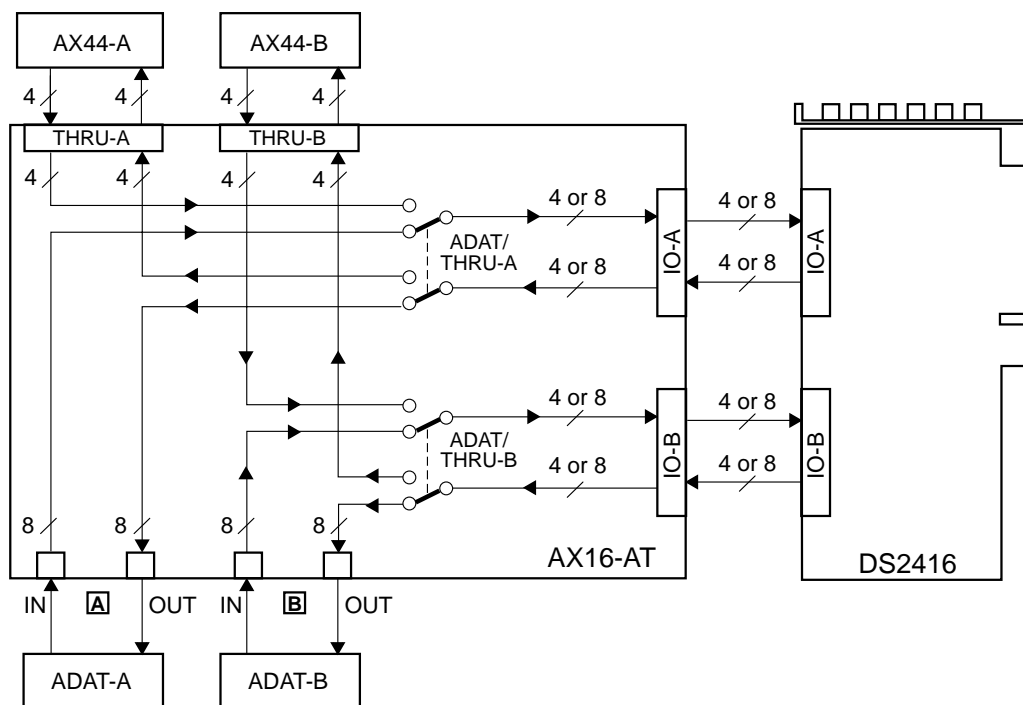
静電気による損傷を避けるため、カードを取り扱う前に電源ケースなど接地されているコンピュータの金属部品に触ってください。

- 1 PCIバス用ブラケットを本カードに固定している2本のネジを取り外し、このブラケットを注意深く取り外してください。
- 2 ISAバス用ブラケットを取り付け、先ほど外したネジで締め付けてください。

DS2416 の IO ソースの選択

ADAT/THRUスイッチを使用して、DS2416上のIO-A/IO-B端子の入出力ソースを選択します。ADAT側に設定すると、DS2416は図のようにAX16-AT上の[A]、[B] IN/OUT端子を通じて信号を送受信し、THRU側に設定するとAX44を通じて送受信します。IO-AとIO-Bは別個に設定することができます。

下図で、DS2416からの接続線に「4 or 8」とされているのは、THRU側(AX44)に設定すると4チャンネル、ADAT側に設定すると8チャンネルのオーディオデータが転送されるからです。



仕様

一般仕様

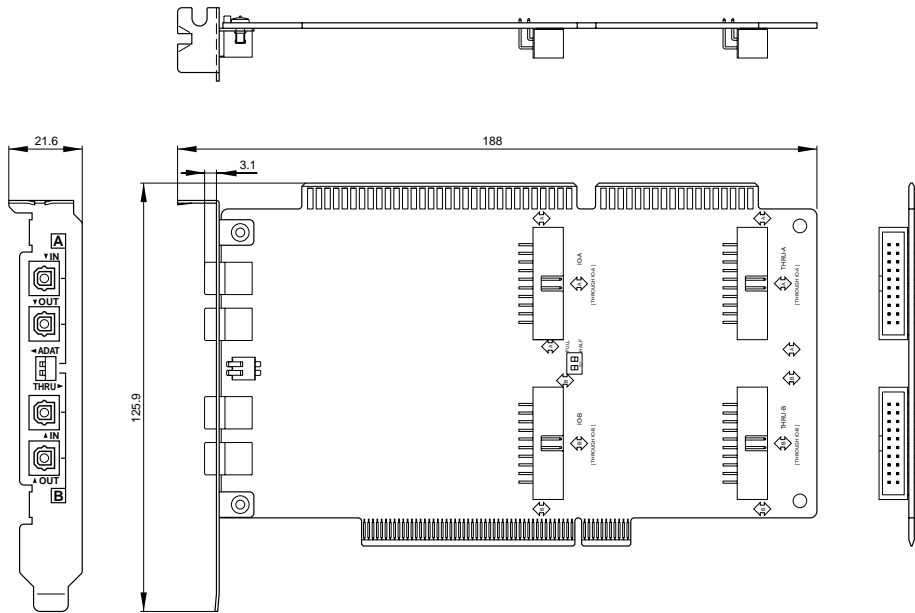
サンプリング周波数	外部	40.013kHz ~ 50.880kHz
ADAT/THRUスイッチ		DS2416 I/Oソース選択
ワールドクロックHALF/FULLスイッチ		ワードクロックソース選択
PCIバス(電源供給のみ)		PCI Raw Variable Height Short Card (5V, 32ビット)
ISAバス(電源供給のみ)		ISAカード(5V, 8ビット)
電源		+5V(最大250mA)
最大消費電力		1.25W
使用環境	動作温度	+10 ~ +35
	保存温度	-20 ~ +60
最大外形寸法(高さ X 長さ X 奥行)		125.9 (ISA 127.7) X 188 X 21.6mm
重量		120g
付属品		20ピン ケーブル x 2
		ISAバス用取り付けブラケット

デジタル入出力仕様

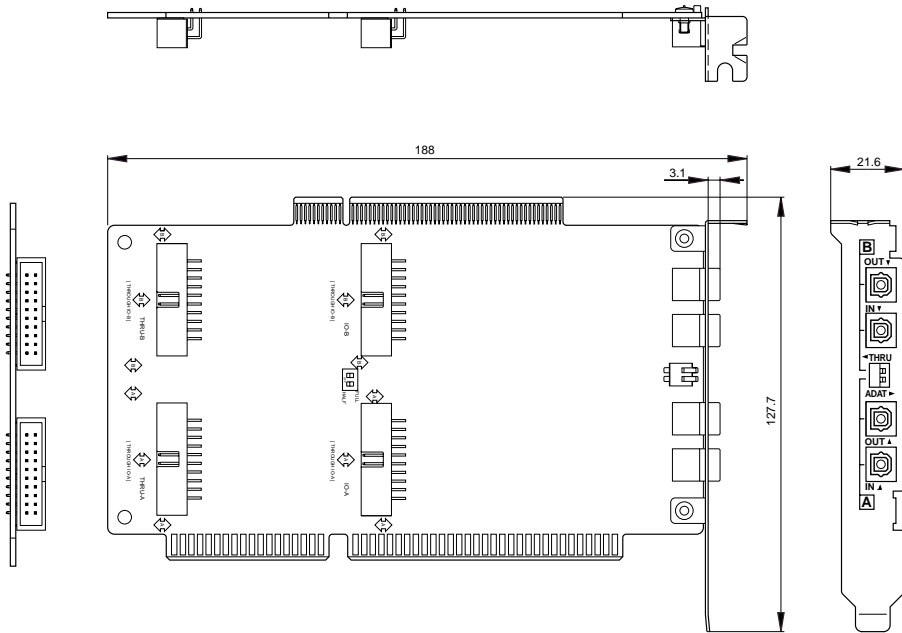
端子	I/O	フォーマット	レベル	コネクタ
<input type="checkbox"/> A IN <input type="checkbox"/> B IN	I	ADATオプティカルデジタル インターフェース		EIAJ光ファイバー ジャック
<input type="checkbox"/> A OUT <input type="checkbox"/> B OUT	O	ADATオプティカルデジタル インターフェース		EIAJ光ファイバー ジャック
IO-A IO-B THRU-A THRU-B	I/O	4CHか8CHデジタルオーディオ入力 (1ライン2CHまたは4CH入力、 MSB 1st x 2) 4CHか8CHデジタルオーディオ出力 (1ライン2CHまたは4CH出力、 MSB 1st x 2) 最大32ビット/チャンネル DS2416互換フォーマット	5V CMOS	20ピンコネクタ

寸法図

PCI仕様



ISA仕様



単位:mm

仕様および外観は予告なく変更することがあります。

サービスについて

保証書

この商品には保証書がついています。販売店でお渡しいますから、ご住所・お名前・お買上げ年月日・販売店名など所定事項の記入および記載内容をおたしかめの上、大切に保管してください。

保証書は当社がお客様に保証期間内の無償サービスをお約束するもので、この商品の保証期間はお買上げ日より1年です。

保証期間内の転居や、ご購入用に購入された場合などで、記載事項の変更が必要なときは、事前・事後を問わずお買上げ販売店がおお客様ご相談窓口、またはヤマハ電気音響製品サービス拠点へご連絡ください。継続してサービスできるように手配いたします。

損害に対する責任

この商品(搭載プログラムを含む)の使用または使用不能により、お客様に生じた損害(事業利益の損失、事業の中断、事業情報の損失、その他の特別損失や逸失利益)については、当社は一切その責任を負わないものとします。また、如何なる場合でも、当社が負担する損害賠償額は、お客様がお支払になったこの商品の代価相当額をもって、その上限とします。

調整・故障の修理

「故障かな?」と思われる症状のときは、この説明書をもう一度よくお読みになり、電源・接続・操作などをおたしかめください。それでもなお改善されないときには、お買上げ販売店へご連絡ください。調整・修理いたします。

調整・修理に際しては保証書をご用意ください。保証規定により、調整・修理サービスをいたします。また、故障した製品をお持ちいただくか、サービスにお伺いするのも保証書に書かれています。

修理サービスは保証期間が過ぎた後も引き続きおこなわれ、そのための補修用性能部品が用意されています。性能部品とは製品の機能を維持するために不可欠な部品のことをいい、PA製品ではその最低保有期間は製造打切後8年です。この期間は経済産業省の指導によるものです。

お客様ご相談窓口

ヤマハPA製品に関するご質問・ご相談は下記のおお客様ご相談窓口へ、アフターサービスについてのお問い合わせはヤマハ電気音響製品サービス拠点へおよせください。

お客様ご相談窓口：ヤマハプロオーディオ製品に対するお問合せ窓口

ヤマハ・プロオーディオ・インフォメーションセンター

Tel: 03-5791-7678 Fax: 03-5488-6663 (電話受付 = 祝祭日を除く月～金 / 11:00～19:00)

E-mail: painfo@post.yamaha.co.jp

EM営業統括部(営業窓口)

PAグループ

PA東京	03-5488-5480	〒108-8568	東京都港区高輪2-17-11
PA北海道	011-512-6113	〒064-0810	札幌市中央区南十条西1-1-50
PA仙台	022-222-6214	〒980-0804	仙台市青葉区大町2-2-10
PA大阪	06-6252-5405	〒542-0081	大阪市中央区南船場3-12-9
PA名古屋	052-232-5744	〒460-8588	名古屋市中区錦1-18-28
PA九州	092-412-5556	〒812-8508	福岡市博多区博多駅前2-11-4

企画推進室(プロオーディオ) 03-5488-5472 〒108-8568 東京都港区高輪2-17-11

PA・DMI事業部

PE営業部PA国内推進室 053-460-2455 〒430-8650 浜松市中沢町10-1

ヤマハ電気音響製品サービス拠点：修理受付および修理品お預かり窓口

北海道サービスステーション	011-512-6108	〒064-8543	札幌市中央区南十条西1-1-50	ヤマハセンター内
仙台サービスステーション	022-236-0249	〒984-0015	仙台市若林区卸町5-7	仙台卸商共同配送センター 3F
首都圏サービスセンター	03-5762-2121	〒143-0006	東京都大田区平和島2-1-1	京浜トラックターミナル14号棟A-5F
浜松サービスステーション	053-465-6711	〒435-0016	浜松市和田町200	ヤマハ(株)和田工場6号館2階
名古屋サービスセンター	052-652-2230	〒454-0058	名古屋市中川区玉川町2-1-2	ヤマハ(株)名古屋流通センター3F
大阪サービスセンター	06-6877-5262	〒565-0803	吹田市新芦屋下1-16	ヤマハ(株)千里丘センター内
四国サービスステーション	087-822-3045	〒760-0029	高松市丸亀町8-7	(株)ヤマハミュージック神戸 高松店内
広島サービスステーション	082-874-3787	〒731-0113	広島市安佐南区西原6-14-14	
九州サービスステーション	092-472-2134	〒812-8508	福岡市博多区博多駅前2-11-4	
本社/CSセンター	053-465-1158	〒435-0016	浜松市和田町200	ヤマハ(株)和田工場6号館2階

所在地・電話番号などは変更されることがあります。

2001年10月現在