



**YAMAHA**

# **Digital Piano**

## **YDP-121**

### **Owner's Manual**

---

#### **IMPORTANT**

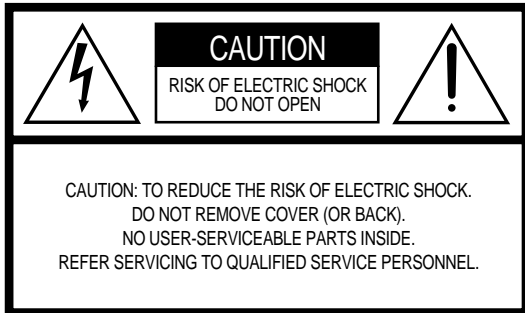
##### **Check your power supply**

Make sure that your local AC mains voltage matches the voltage specified on the name plate on the bottom panel. In some areas a voltage selector may be provided on the bottom panel of the main keyboard unit near the power cord. Make sure that the voltage selector is set for the voltage in your area. The voltage selector is set at 240V when the unit is initially shipped. To change the setting use a "minus" screwdriver to rotate the selector dial so that the correct voltage appears next to the pointer on the panel.

---

# SPECIAL MESSAGE SECTION

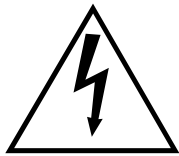
**PRODUCT SAFETY MARKINGS:** Yamaha electronic products may have either labels similar to the graphics shown below or molded/stamped facsimiles of these graphics on the enclosure. The explanation of these graphics appears on this page. Please observe all cautions indicated on this page and those indicated in the safety instruction section.



See bottom of Keyboard enclosure for graphic symbol markings.



The exclamation point within the equilateral triangle is intended to alert the user to the presence of important operating and maintenance (servicing) instructions in the literature accompanying the product.



The lightning flash with arrowhead symbol, within the equilateral triangle, is intended to alert the user to the presence of uninsulated “dangerous voltage” within the product’s enclosure that may be of sufficient magnitude to constitute a risk of electrical shock.

**IMPORTANT NOTICE:** All Yamaha electronic products are tested and approved by an independent safety testing laboratory in order that you may be sure that when it is properly installed and used in its normal and customary manner, all foreseeable risks have been eliminated. **DO NOT** modify this unit or commission others to do so unless specifically authorized by Yamaha. Product performance and/or safety standards may be diminished. Claims filed under the expressed warranty may be denied if the unit is/has been modified. Implied warranties may also be affected.

**SPECIFICATIONS SUBJECT TO CHANGE:** The information contained in this manual is believed to be correct at the time of printing. However, Yamaha reserves the right to change or modify any of the specifications without notice or obligation to update existing units.

**ENVIRONMENTAL ISSUES:** Yamaha strives to produce products that are both user safe and environmentally friendly. We sincerely believe that our products and the production methods used to produce them, meet these goals. In keeping with both the letter and the spirit of the law, we want you to be aware of the following:

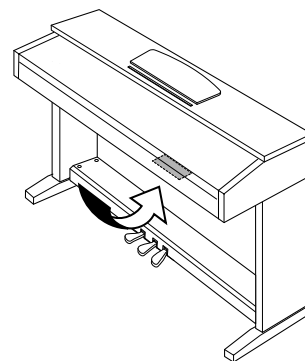
**Battery Notice:** This product MAY contain a small non-rechargeable battery which (if applicable) is soldered in place. The average life span of this type of battery is approximately five years. When replacement becomes necessary, contact a qualified service representative to perform the replacement.

**Warning:** Do not attempt to recharge, disassemble, or incinerate this type of battery. Keep all batteries away from children. Dispose of used batteries promptly and as regulated by applicable laws. Note: In some areas, the servicer is required by law to return the defective parts. However, you do have the option of having the servicer dispose of these parts for you.

**Disposal Notice:** Should this product become damaged beyond repair, or for some reason its useful life is considered to be at an end, please observe all local, state, and federal regulations that relate to the disposal of products that contain lead, batteries, plastics, etc.

**NOTICE:** Service charges incurred due to lack of knowledge relating to how a function or effect works (when the unit is operating as designed) are not covered by the manufacturer’s warranty, and are therefore the owners responsibility. Please study this manual carefully and consult your dealer before requesting service.

**NAME PLATE LOCATION:** The graphic below indicates the location of the name plate. The model number, serial number, power requirements, etc., are located on this plate. You should record the model number, serial number, and the date of purchase in the spaces provided below and retain this manual as a permanent record of your purchase.



**Model** \_\_\_\_\_

**Serial No.** \_\_\_\_\_

**Purchase Date** \_\_\_\_\_

# PRECAUTIONS

## PLEASE READ CAREFULLY BEFORE PROCEEDING

\* Please keep these precautions in a safe place for future reference.



### WARNING

**Always follow the basic precautions listed below to avoid the possibility of serious injury or even death from electrical shock, short-circuiting, damages, fire or other hazards. These precautions include, but are not limited to, the following:**

- Do not open the instrument or attempt to disassemble the internal parts or modify them in any way. The instrument contains no user-serviceable parts. If it should appear to be malfunctioning, discontinue use immediately and have it inspected by qualified Yamaha service personnel.
- Do not expose the instrument to rain, use it near water or in damp or wet conditions, or place containers on it containing liquids which might spill into any openings.
- If the power cord or plug becomes frayed or damaged, or if there is a sudden loss of sound during use of the instrument, or if any unusual smells or smoke should appear to be caused by it, immediately turn off the power switch, disconnect the electric plug from the outlet, and have the instrument inspected by qualified Yamaha service personnel.
- Only use the voltage specified as correct for the instrument. The required voltage is printed on the name plate of the instrument.
- Before cleaning the instrument, always remove the electric plug from the outlet. Never insert or remove an electric plug with wet hands.
- Check the electric plug periodically and remove any dirt or dust which may have accumulated on it.



### CAUTION

**Always follow the basic precautions listed below to avoid the possibility of physical injury to you or others, or damage to the instrument or other property. These precautions include, but are not limited to, the following:**

- Do not place the power cord near heat sources such as heaters or radiators, and do not excessively bend or otherwise damage the cord, place heavy objects on it, or place it in a position where anyone could walk on, trip over, or roll anything over it.
- When removing the electric plug from the instrument or an outlet, always hold the plug itself and not the cord. Pulling by the cord can damage it.
- Do not connect the instrument to an electrical outlet using a multiple-connector. Doing so can result in lower sound quality, or possibly cause overheating in the outlet.
- Remove the electric plug from the outlet when the instrument is not to be used for extended periods of time, or during electrical storms.
- Before connecting the instrument to other electronic components, turn off the power for all components. Before turning the power on or off for all components, set all volume levels to minimum. Also, be sure to set the volumes of all components at their minimum levels and gradually raise the volume controls while playing the instrument to set the desired listening level.
- Do not expose the instrument to excessive dust or vibrations, or extreme cold or heat (such as in direct sunlight, near a heater, or in a car during the day) to prevent the possibility of panel disfiguration or damage to the internal components.
- Do not use the instrument near other electrical products such as televisions, radios, or speakers, since this might cause interference which can affect proper operation of the other products.
- Do not place the instrument in an unstable position where it might accidentally fall over.
- Before moving the instrument, remove all connected cables.
- When cleaning the instrument, use a soft, dry cloth. Do not use paint thinners, solvents, cleaning fluids, or chemical-impregnated wiping cloths. Also, do not place vinyl, plastic or rubber objects on the instrument, since this might discolor the panel or keyboard.
- Do not rest your weight on, or place heavy objects on the instrument, and do not use excessive force on the buttons, switches or connectors.
- Take care that the key cover does not pinch your fingers, and do not insert a finger or hand in the key cover gap.
- Never insert or drop paper or metallic or other objects between the slits of the key cover and the keyboard. If this happens, immediately turn off the power and remove the electric plug from the outlet and have the instrument inspected by qualified Yamaha service personnel.
- Do not place the instrument against a wall (allow at least 3 cm/one-inch from the wall), since this can cause inadequate air circulation, and possibly result in the instrument overheating.
- Read carefully the attached documentation explaining the assembly process. Failure to assemble the instrument in the proper sequence might result in damage to the instrument or even injury.
- Do not operate the instrument for a long period of time at a high or uncomfortable volume level, since this can cause permanent hearing loss. If you experience any hearing loss or ringing in the ears, consult a physician.

Yamaha cannot be held responsible for damage caused by improper use or modifications to the instrument, or data that is lost or destroyed.

Always turn the power off when the instrument is not in use.

\* The illustrations and displays as shown in this owner's manual are for instructional purposes only, and may be different from the ones on your instrument.

# Introduction

---

*Thank you for choosing a Yamaha YDP-121 Digital Piano. Your YDP-121 is a fine musical instrument that employs advanced Yamaha music technology. With the proper care, your YDP-121 will give you many years of musical pleasure.*

- Stereo sampling of the acoustic piano voices offers unmatched realism and expressive power, while the AWM (Advanced Wave Memory) tone generator system offers rich, realistic reproductions of all other voices.
- Piano-like touch response — adjustable in 4 stages — provides extensive expressive control and outstanding playability.
- Dual mode allows 2 voices to be played simultaneously.
- Metronome feature with variable tempo facilitates practice.
- 2-track digital recorder lets you record and play back anything you play on the keyboard.

In order to make the most of your YDP-121's performance potential and features, we urge you to read this Owner's Manual thoroughly, and keep it in a safe place for later reference.

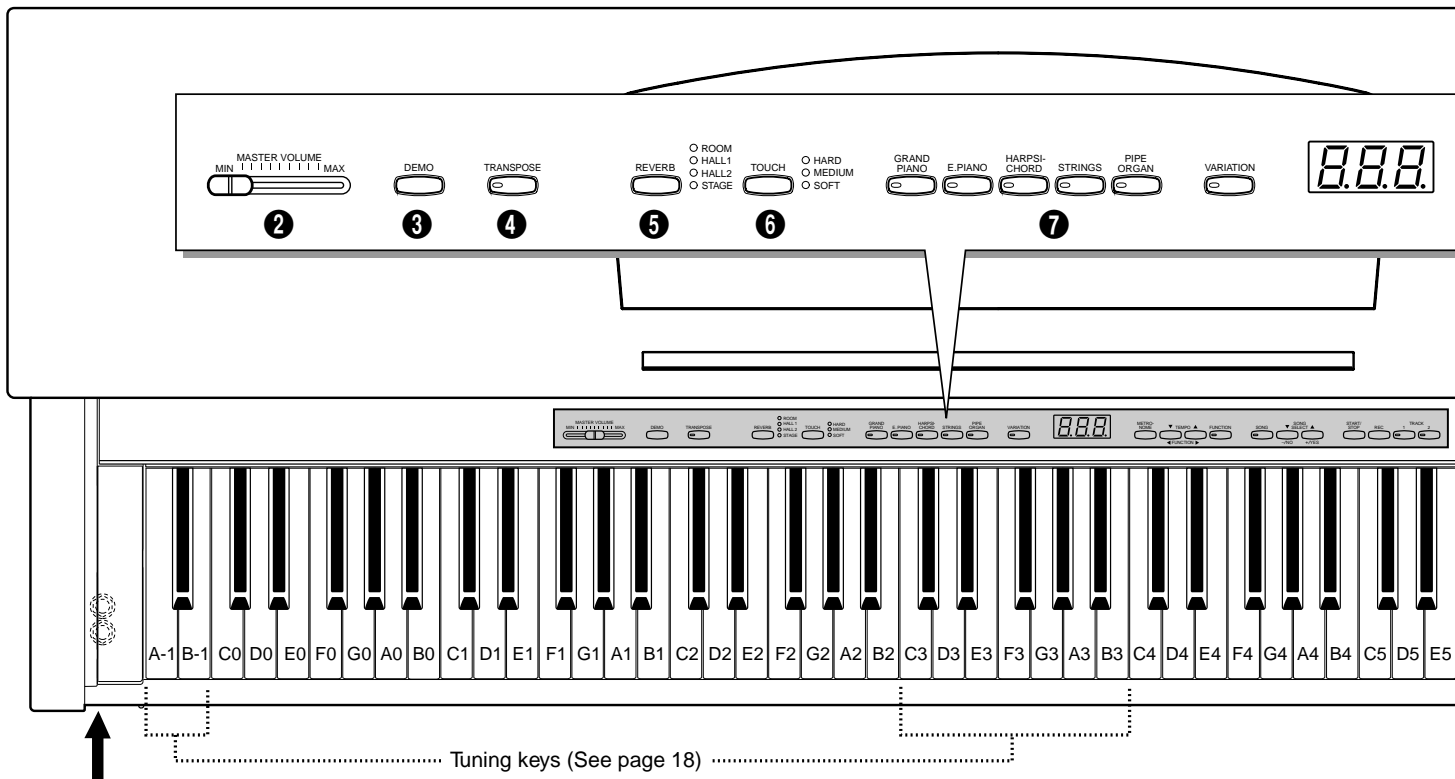
## Included Accessories

- Owner's Manual
- 50 greats for the Piano

# Contents

<b>The Control Panel</b> .....	6	<b>The Function Mode</b> .....	23
<b>Key Cover &amp; Music Stand</b> .....	8	• To Select a Function .....	23
<b>Selecting &amp; Playing Voices</b> .....	9	■ <b>F1: Tuning</b> .....	24
<b>Playing the Demonstration Tunes</b> .....	10	■ <b>F2: Scale</b> .....	24
■ <b>Voice Demo</b> .....	10	F2.1: Scale .....	24
■ <b>Piano Song</b> .....	11	F2.2: Base Note .....	24
■ <b>Piano Song A-B Repeat</b> .....	12	■ <b>F3: Dual Mode Functions</b> .....	25
■ <b>Piano Song Part Cancel</b> .....	13	F3.1: Dual Balance .....	25
• Synchro Start .....	13	F3.2: Dual Detune .....	25
• Left Pedal Start/Stop .....	13	F3.3: 1st Voice Octave Shift .....	25
<b>The Dual Mode</b> .....	14	F3.4: 2nd Voice Octave Shift .....	25
• Other Dual Mode Functions .....	14	F3.5: Reset .....	25
<b>Reverb</b> .....	15	■ <b>F4: Left Pedal Mode</b> .....	26
• Adjusting Reverb Depth .....	15	■ <b>F5: Metronome Volume</b> .....	26
<b>The Pedals</b> .....	16	■ <b>F6: Piano Song Part Cancel Volume</b> .....	26
• Damper (Right) Pedal .....	16	■ <b>F7: Backup Functions</b> .....	27
• Sostenuto (Center) Pedal .....	16	F7.1: Voice .....	27
• Soft (Left) Pedal .....	16	F7.2: Tuning .....	27
<b>Touch Sensitivity</b> .....	17	F7.3: Pedal .....	27
<b>Transposition</b> .....	17	<b>Factory Preset Recall</b> .....	28
<b>Tuning</b> .....	18	<b>Troubleshooting</b> .....	28
• Tuning Up .....	18	<b>Options</b> .....	28
• Tuning Down .....	18	 	
• To Restore Standard Pitch .....	18	<b>Demo Song List</b> .....	29
<b>The Metronome &amp; Tempo Control</b> .....	19	<b>Factory Setting List</b> .....	29
■ <b>The Metronome</b> .....	19	<b>Keyboard Stand Assembly</b> .....	30
• Metronome Time Signature .....	19	<b>Specifications</b> .....	36
• Metronome Volume Function .....	19		
■ <b>Tempo Control</b> .....	19		
<b>Using the Recorder</b> .....	20		
■ <b>Recording</b> .....	20		
• Changing the Initial Settings .....	21		
• Erasing a Single Track .....	21		
■ <b>Playback</b> .....	22		
• Synchro Start .....	22		
• Left Pedal Start/Stop .....	22		

# The Control Panel



15 PHONES Jacks (Bottom panel)

## 1 [POWER] Switch

Press the [POWER] switch once to turn the power ON, a second time to turn the power OFF. When the power is initially turned ON, a voice selector LED will light, and the power indicator located below the left end of the keyboard will light.

## 2 [MASTER VOLUME] Control

The [MASTER VOLUME] control adjusts the volume (level) of sound produced by the YDP-121's internal stereo sound system. The [MASTER VOLUME] control also adjusts headphone volume when a pair of headphones is plugged into the PHONES jack.

## 3 [DEMO] Button

Activates the demo playback mode in which you can select playback of different demonstration sequences for each of the YDP-121's voices. See page 10 for details.

## 4 [TRANSPOSE] Button

The [TRANSPOSE] button allows access to the YDP-121's TRANSPOSE function (to shift the pitch of the entire keyboard up or down in semitone intervals).

## 5 [REVERB] Button

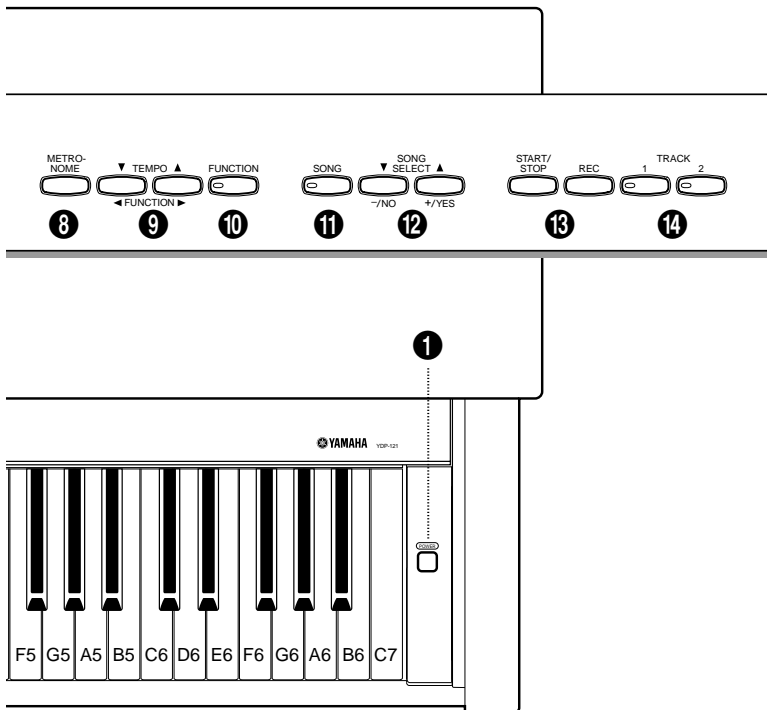
The [REVERB] button selects a number of digital reverb effects that you can use for extra depth and expressive power. See page 15 for details.

## 6 [TOUCH] Button

The [TOUCH] button makes it easy to adjust the touch response of the YDP-121 to match your playing style. See page 17 for details.

## 7 Voice Selectors & [VARIATION] Button

Simply press any of the voice selectors to select the corresponding voice. The voice selector LED will light to indicate which voice is currently selected. Press the [VARIATION] button so that its indicator lights to select a variation of the currently selected voice.



There is also a dual mode in which two voices can be played simultaneously across the full range of the keyboard (see page 14 for details).

## 8 [METRONOME] Button

Turns the metronome sound on and off. The [TEMPO ▼/▲] buttons, below, are used to set the tempo of the metronome sound. The [–/NO] and [+YES] buttons are used to change the time signature (beat) of the metronome if used while the [METRONOME] button is held — page 19.

## 9 [TEMPO ▼/▲] (FUNCTION ◀/▶) Buttons

These buttons adjust the tempo of the metronome function as well as the playback tempo of the recorder function. The tempo range is from 32 to 280 beats per minute — page 19. These same buttons are also used to select functions — page 23.

## 10 [FUNCTION] Button

This button accesses a range of utility functions that significantly enhance versatility and playability. See page 23 for details.

## 11 [SONG] Button

This button enters the Piano Song Mode. While in this mode you can use the [SONG SELECT ▼/▲] buttons to select from 50 songs.

## 12 [SONG SELECT ▼/▲] (–/NO, +/YES) Buttons

These buttons select a piano song number for playback, and are also used to adjust a range of other parameters (i.e. their “–/NO” and “+/YES” functions).

## 13 [START/STOP] and [REC] Buttons

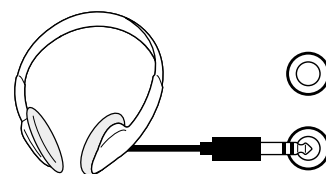
These buttons control the YDP-121’s recorder, letting you record and play back just about anything you play on the keyboard.

## 14 TRACK [1] and [2] Buttons

The YDP-121 has a 2-track recorder, and these buttons are used to select the track(s) to be recorded or played back. See page 20 for details.

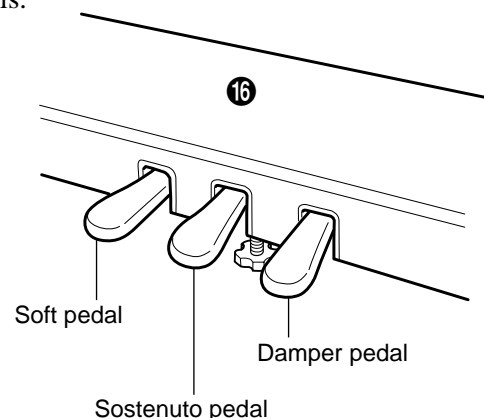
## 15 PHONES Jacks (Bottom Panel)

Two sets of standard stereo headphones can be plugged in here for private practice or late-night playing. The internal speaker system is automatically shut off when a pair of headphones is plugged into either of the PHONES jacks.



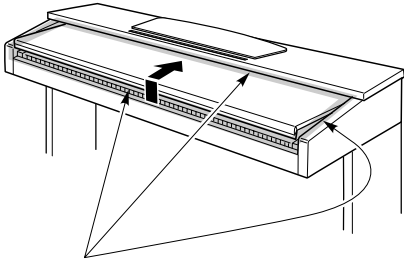
## 16 Pedals

The soft (left), sostenuto (center) and damper (right) pedals provide a range of expressive control capabilities similar to the pedal functions on an acoustic piano. The left pedal can also be assigned to the song start/stop operation. See page 16 for details.

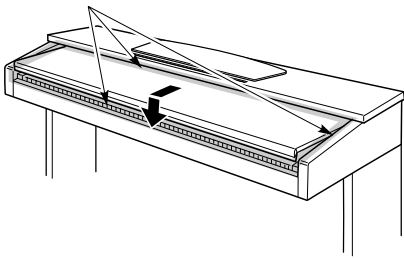


# Key Cover & Music Stand

## Key Cover



Be careful to avoid catching your fingers when opening or closing the cover.



### To open the key cover:

- 1 Lift the cover slightly (not too much).
- 2 Slide the cover open.

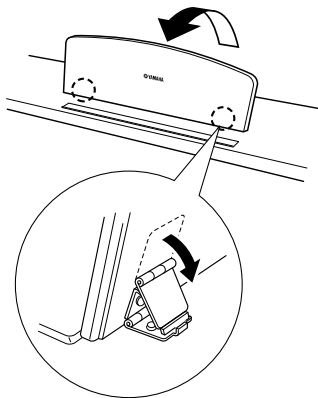
### To close the key cover:

- 1 Slide the cover toward you.
- 2 Gently lower the cover over the keys.

#### **CAUTION**

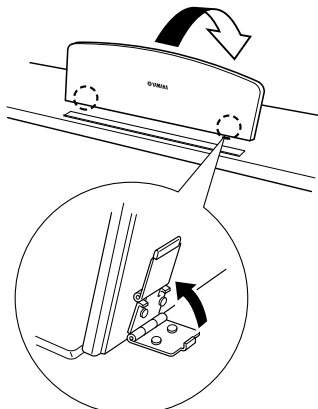
- Hold the cover with both hands when moving it, and do not release it until it is fully opened or closed. Be careful to avoid catching fingers (yours or others) between the cover and main unit.
- Do not place objects on top of the key cover. Small objects placed on the key cover may fall inside the main unit when the cover is opened and may not be able to be removed. This could cause electric shock, short circuit, fire or other serious damage to the instrument.

## Music Stand



### To raise the music stand:

- 1 Pull the stand up and toward yourself as far as it will go.
- 2 Flip down the two metal supports at the left and the right on the rear of the music stand.
- 3 Lower the music stand so that it rests on the metal supports.



### To lower the music stand:

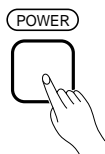
- 1 Pull the music stand toward yourself as far as it will go.
- 2 Raise the two metal supports (at the rear of the stand).
- 3 Gently lower the music stand backward until it is all the way down.

#### **CAUTION**

- Do not try to use the music stand in a half-raised position. When lowering the stand, do not release your hands from the music stand until it is all the way down.



# Selecting & Playing Voices



## 1) Turn Power On .....

After making sure that the YDP-121's AC cord is properly plugged into the YDP-121 itself and plugged into a convenient AC wall outlet, press the **[POWER]** switch located to the right of the keyboard to turn the power ON. In some areas a plug adaptor may be provided to match the pin configuration of the AC wall outlets in your area.

When the power is turned ON, one of the voice selector LEDs will light, and the power indicator located below the left end of the keyboard will light.

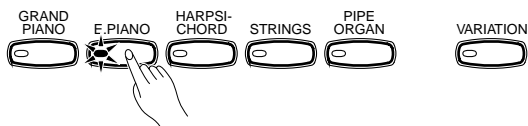


## 2) Set the Volume .....

Initially set the **[MASTER VOLUME]** control about half way between the "MIN" and "MAX" settings. Then, when you start playing, re-adjust the **[MASTER VOLUME]** control for the most comfortable listening level.

## 3) Select a Voice .....

Select the desired voice by pressing one of the voice selectors. Use the **[VARIATION]** button to select a variation of the current voice, as required.



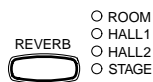
## 4) Play .....

The YDP-121 also offers keyboard touch response, so the volume and timbre of notes played can be controlled according to how "hard" you play the keys. The amount of variation available depends on the selected voice.



## 5) Add Reverb As Required .....

You can add or change reverb as desired by using the **[REVERB]** button (page 15).



# Playing the Demonstration Tunes

Demonstration tunes are provided that effectively demonstrate each of the YDP-121's voices. There are also 50 piano songs that you can play individually, all in sequence, or in random order. Here's how you can select and play the demo tunes.

 **NOTE** • The demo or piano song mode cannot be engaged while the recorder (page 20) is in use.

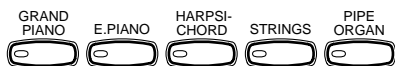
\* See page 29 for a complete listing of the demo tunes.

## Voice Demo



### 1] Engage the Demo Mode .....

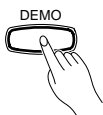
Press the [**DEMO**] button to engage the demo mode — the voice selector indicators will flash in sequence.



### 2] Play a Voice Demo .....

Press one of the voice selectors to start playback of all songs starting from the corresponding voice demo tune — featuring the voice normally selected by that voice selector button. (If you press the [**START/STOP**] button instead of a voice selector button, the GRAND PIANO demo tune will begin playback.) The indicator of the selected voice selector button will flash during playback, and “- - -” will appear on the LED display. You can start playback of any other voice demo tune during playback by simply pressing the corresponding voice selector. You can stop playback at any time by pressing the [**START/STOP**] button or the voice selector of the currently playing demo.

 **NOTE** • Use the [**MASTER VOLUME**] control to adjust the volume.



### 3] Exit From the Demo Mode .....

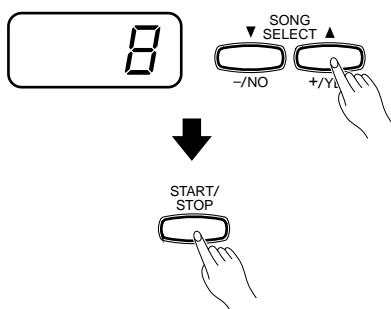
Press the [**DEMO**] button to exit from the demo mode and return to the normal play mode.

## Piano Song



### 1] Engage the Piano Song Mode .....

Press the [SONG] button to engage the piano song mode — the [SONG], [1] and [2] indicators will light.



### 2] Play a Piano Song .....

To play any of the 50 piano songs provided, use the [SONG SELECT ▼/▲] buttons to select the number of the tune you want to play (the number will appear on the LED display), then press the [START/STOP] button. Playback will stop automatically when playback of the selected piano song has finished.

Select “ALL” instead of a number to play all piano songs in sequence, or select “rand” to continuously play all piano songs in random order. Press the [START/STOP] button to stop playback.

#### NOTE

- Use the [MASTER VOLUME] control to adjust the volume.
- You can use the [TEMPO ▼/▲] buttons to adjust the playback tempo as required. This produces a relative tempo variation, with a range from “-50” through “- - -” to “50” at maximum; the range will differ depending on the selected song.
- The default tempo “- - -” is automatically selected whenever a new piano song is selected, or playback of a new piano song begins during “ALL” or “rand” playback.
- You can play the keyboard along with the piano song playback. The voice playing on the keyboard can be changed.
- You can change the Reverb type that is applied to the voice you play on the keyboard and for the piano song playback. You can change the Touch sensitivity that is applied to the voice you play on the keyboard.

### 3] Exit From the Piano Song Mode .....

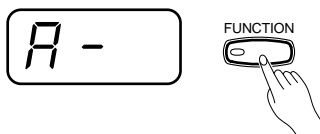


Press the [SONG] button to exit from the piano song mode, the indicator will go off, and return to the normal play mode.

## Piano Song A-B Repeat

The A-B Repeat function can be used to continuously repeat a specified phrase within a piano song. Combined with the Part Cancel function described below, this provides an excellent way to practice difficult phrases.

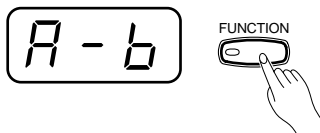
### 1 Specify the Beginning (A) of the Phrase .....



Select and play a piano song, then press the [FUNCTION] button at the beginning of the phrase you want to repeat. This sets the “A” point (“A -” will appear on the display).

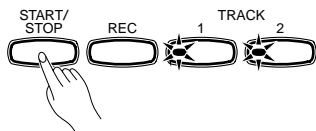
To set the “A” point at the very beginning of the song, press the [FUNCTION] button before starting playback.

### 2 Specify the End (B) of the Phrase .....



Press the [FUNCTION] button a second time at the end of the phrase. This sets the “B” point (“A - b” will appear on the display). At this point repeat playback will begin between the specified A and B points.

### 3 Stop Playback .....



Press the [START/STOP] button to stop playback while retaining the specified A and B points. A-B repeat playback will resume if the [START/STOP] button is then pressed again.

To cancel the A and B points press the [FUNCTION] button once.

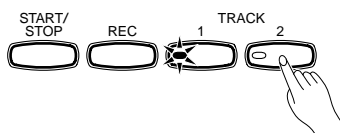
#### NOTE

- The A and B points are automatically canceled when a new song is selected.
- The A-B Repeat function cannot be used during “RL L” or “r rd” playback.

## Piano Song Part Cancel

The 50 piano songs have separate left- and right-hand parts that can be turned on and off as required so you can practice the corresponding part on the keyboard. The right-hand part is played by the recorder's [1] track, and the left-hand part is played by recorder's [2] track. (Some of the songs are arrangements for four-hands, tracks [1] and [2] correspond to primo and secondo parts of the arrangement.)

### 1 Turn the Desired Part Off .....

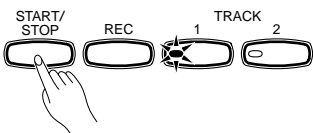


Press the **TRACK [1]** or **[2]** button to turn the corresponding part off — the corresponding indicator will go out (these buttons alternately toggle the corresponding part on and off).



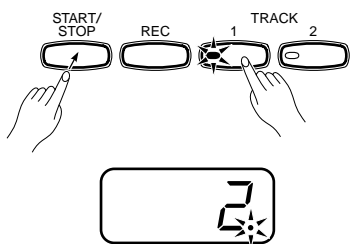
- The parts can be turned on or off even during playback.
- The Piano Song Part Cancel function cannot be used during "RL L" or "r rd" playback.
- The "Piano Song Part Cancel Volume" function described on page 26 can be used to set the canceled part so that it plays at a volume from "0" (no sound) to "20". The default setting is "5".
- Both parts are automatically turned ON whenever a new song is selected.

### 2 Start/Stop Playback .....



Press the **[START/STOP]** button to start and stop playback as required.

### □ Synchro Start .....



When the Synchro Start function is engaged, playback of the selected piano song will begin automatically as soon as you start playing on the keyboard.

To engage the Synchro Start function press the **[START/STOP]** button while holding the part button corresponding to the part which is ON. A dot will appear in the lower right corner of the display. (Repeat the previous operation to disengage the Synchro Start function.)

Playback will then start as soon as you begin playing on the keyboard.



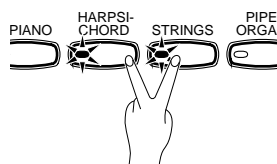
- If you hold a track button which is OFF while pressing the **[START/STOP]** button, that track will be turned ON and the Synchro Start mode will be engaged.

### □ Left Pedal Start/Stop .....

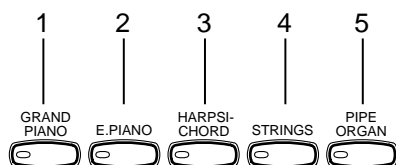
The left pedal can be assigned to start and stop piano song playback via the "Left Pedal Mode" function described on page 26.

# The Dual Mode

The dual mode makes it possible to play two voices simultaneously across the entire range of the keyboard.



## Voice numbering priority



To activate the dual mode simply press two voice selectors at the same time (or press one voice selector while holding another). The voice indicators of both selected voices will light when the dual mode is active. To return to the normal single-voice play mode, press any single voice selector.

According to the voice numbering priority as shown in the diagram on the left, lower valued voice numbers will be designated as the 1st Voice (the other voice will be designated as the 2nd Voice).

The **[STRINGS]** **[VARIATION]** voice has a slow attack. This voice can sometimes be used with another voice in the Dual Mode to produce a better “blend”.



### NOTE

- The **[VARIATION]** button indicator will light if the variation is engaged for either or both of the dual-mode voices. While the dual mode is engaged the **[VARIATION]** button can be used to turn the variation for both voices on or off. To use the variation for only one of the voices the setting must be made prior to engaging the dual mode.
- **[REVERB] in the Dual Mode**  
The reverb type assigned to the 1st Voice will take priority over the other. (If the reverb is set to OFF, the 2nd Voice's reverb type will be in affect.)  
Reverb depth setting via the panel controls (i.e. pressing the **[-/NO]** or **[+ /YES]** buttons while holding the **[REVERB]** button — see page 15) will be applied to the 1st Voice only.



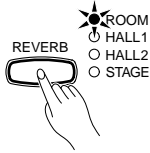
## Other Dual Mode Functions .....

The YDP-121 Function mode provides access to a number of other dual-mode functions, listed below. See the corresponding pages for details.

- Dual Balance ..... 25
- Dual Detune ..... 25
- 1st Voice Octave Shift ..... 25
- 2nd Voice Octave Shift ..... 25
- Reset ..... 25

# Reverb

The **[REVERB]** button selects a number of digital reverb effects that you can use for extra depth and expressive power.



To select a reverb type press the **[REVERB]** button a few times until the indicator corresponding to the desired type lights (the indicators light in sequence each time the **[REVERB]** button is pressed). No reverb is produced when all indicators are off.

## OFF

No reverb effect is selected when no REVERB indicator is lit.

## ROOM

This setting add a continuous reverb effect to the sound that is similar to the type of acoustic reverberation you would hear in a room.

## HALL 1

For a “bigger” reverb sound, use the HALL 1 setting. This effect simulates the natural reverberation of a small-size concert hall.

## HALL 2

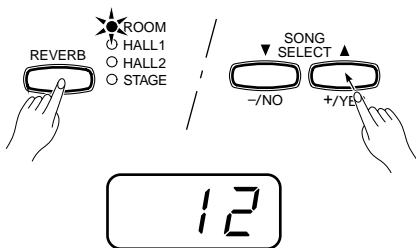
For a really spacious reverb sound, use the HALL 2 setting. This effect simulates the natural reverberation of a large concert hall.

## STAGE

A simulation of the type of reverb produced in a stage environment.



• The default reverb type (including OFF) and depth settings are different for each voice.

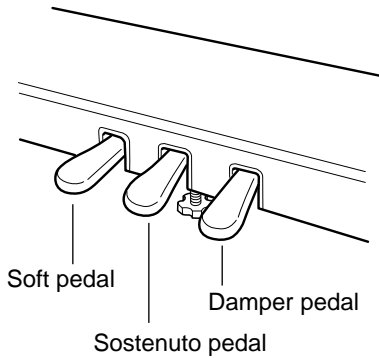


## Adjusting Reverb Depth .....

Adjust the reverb depth for the selected voice by using the **[-/NO]** and **[+/YES]** buttons while holding the **[REVERB]** button. The depth range is from 0 through 20 (the current depth setting appears on the LED display while the **[REVERB]** button is held). A setting of “0” produces no effect, while a setting of “20” produces maximum reverb depth. Press the **[-/NO]** and **[+/YES]** buttons simultaneously while holding the **[REVERB]** button to recall the default setting for the current voice (default depth settings are different for each voice).

# The Pedals

The YDP-121 has three foot pedals that produce a range of expressive effects similar to those produced by the pedals on an acoustic piano.



## Damper (Right) Pedal .....

The damper pedal functions in the same way as a damper pedal on an acoustic piano. When the damper pedal is pressed notes played have a long sustain. Releasing the pedal immediately stops (damps) any sustained notes.

## Sostenuto (Center) Pedal .....

If you play a note or chord on the keyboard and press the sostenuto pedal while the note(s) are held, those notes will be sustained as long as the pedal is held (as if the damper pedal had been pressed) but all subsequently played notes will not be sustained. This makes it possible to sustain a chord, for example, while other notes are played “staccato.”



• *Organ and string voices will continue to sound for as long as the sostenuto pedal is depressed.*

## Soft (Left) Pedal .....

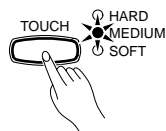
The soft pedal reduces the volume and slightly changes the timbre of notes played while the pedal is pressed. The soft pedal will not affect notes which are already playing when it is pressed.

The left pedal can also be assigned to the song start/stop operation via the “Left Pedal Mode” described on page 26.



# Touch Sensitivity

Four different types of keyboard touch sensitivity — HARD, MEDIUM, SOFT or FIXED — can be selected to match different playing styles and preferences.



To select a touch sensitivity type press the [TOUCH] button a few times until the indicator corresponding to the desired type lights (the indicators light in sequence each time the [TOUCH] button is pressed).

## HARD

The HARD setting requires the keys to be played quite hard to produce maximum loudness.

## MEDIUM

The MEDIUM setting produces a fairly “standard” keyboard response. This is the initial factory default setting.

## SOFT

The SOFT setting allows maximum loudness to be produced with relatively light key pressure.

## FIXED (no indicator lit)

All notes are produced at the same volume no matter how hard the keyboard is played.

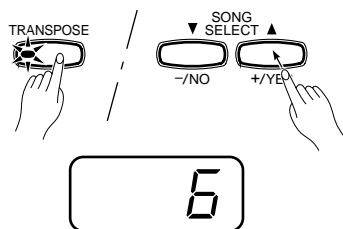
When the FIXED type is selected, the volume of notes played in the FIXED mode can be set by using the [–/NO] and [+ /YES] buttons while the [TOUCH] button is held (the current volume level appears on the display). The volume range is from 1 through 127. The default setting is 64.



- This setting does not change the weight of the keyboard.
- The touch sensitivity type and volume set in the FIXED mode will become the common setting for all voices.

# Transposition

The YDP-121’s TRANSPOSE function makes it possible to shift the pitch of the entire keyboard up or down in semitone intervals up to a maximum of 12 semitones (i.e. a maximum of one octave up or down). “Transposing” the pitch of the YDP-121 keyboard facilitates playing in difficult key signatures, and you can easily match the pitch of the keyboard to the range of a singer or other instrumentalist.



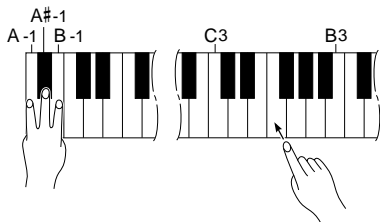
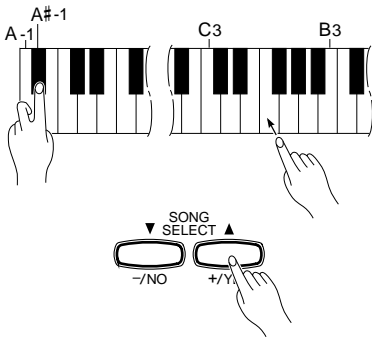
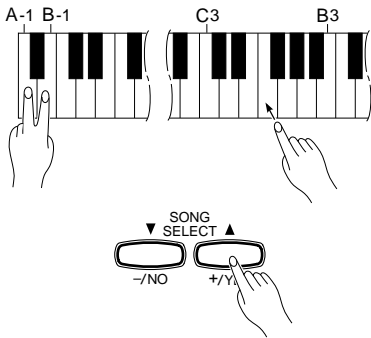
Use the [–/NO] or [+ /YES] button while holding the [TRANSPOSE] button to transpose down or up as required. The transposition range is from “–12” (down one octave) through “0” (normal pitch) to “12” (up one octave). The amount of transposition appears on the LED display while the [TRANSPOSE] button is held. The default transpose setting is “0”.



- The [TRANSPOSE] button indicator remains lit when a transpose setting other than “0” is selected.
- Notes below and above the A-1 ... C7 range of the YDP-121 sound one octave higher and lower, respectively.

# Tuning

Tuning makes it possible to adjust the pitch of the YDP-121 over a 427.0 Hz ... 453.0 Hz (corresponding to the A3 note's Hz) range in approximately 0.2 Hertz intervals. Pitch control is useful for tuning the YDP-121 to match other instruments or recorded music.



## Tuning Up .....

- 1** To tune up (raise pitch), hold the A-1 and B-1 keys simultaneously.
- 2** Press any key between C3 and B3. Each time a key in this range is pressed the pitch is increased by approximately 0.2 Hz.  
The [-/NO] and [+ /YES] buttons can also be used to tune down or up, respectively, in approximately 1 Hz decrements/increments. Press the [-/NO] and [+ /YES] buttons simultaneously to recall standard tuning (A3 = 440 Hz).
- 3** Release the A-1 and B-1 keys.

## Tuning Down .....

- 1** To tune down (lower pitch), hold the A-1 and A#-1 keys simultaneously.
- 2** Press any key between C3 and B3. Each time a key in this range is pressed the pitch is decreased by approximately 0.2 Hz.  
The [-/NO] and [+ /YES] buttons can also be used to tune down or up, respectively, in approximately 1 Hz decrements/increments. Press the [-/NO] and [+ /YES] buttons simultaneously to recall standard tuning (A3 = 440 Hz).
- 3** Release the A-1 and A#-1 keys.

## To Restore Standard Pitch .....

- 1** To restore the default pitch (A3 = 440 Hz), hold the A-1, A#-1 and B-1 keys simultaneously.
- 2** Press any key between C3 and B3.
- 3** Release the A-1, A#-1 and B-1 keys.

In terms of “Hertz”, the overall tuning range is from 427.0 Hz to 453.0 Hz. The current tuning setting is shown on the LED display while the tuning is being adjusted. Tenths of a Hertz are indicated on the LED display by the appearance and position of one or two dots, as in the following example:

Display	Value
440	440.0
440.	440.2
440.	440.4
440.	440.6
440.	440.8

**NOTE** • An alternative tuning method is available in the Function mode — page 24.

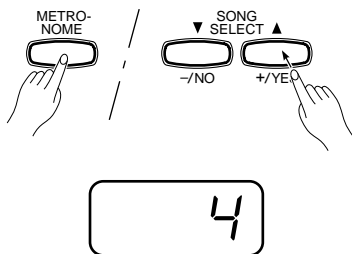
# The Metronome & Tempo Control

The YDP-121 built-in metronome is a convenient feature for practice, and it can also provide a solid rhythmic guide when recording using the Recorder feature, described in the next section.

## The Metronome



The metronome sound is alternately turned on and off by pressing the [METRONOME] button. When on, the beat indicator flashes at the current tempo.



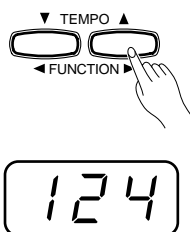
### Metronome Time Signature .....

The time signature (beat) of the metronome can be set by using the [-/NO] and [+/YES] buttons while holding the [METRONOME] button. You can set the beat to 0, 2, 3, 4 or 6 (the current setting appears on the LED display while the [METRONOME] button is held). Press the [-/NO] and [+/YES] buttons simultaneously while holding the [METRONOME] button to recall the default setting “0” (no accent).

### Metronome Volume Function .....

The volume of the metronome sound can be adjusted via the Metronome Volume function in the Function mode—page 26.

## Tempo Control



The tempo of the metronome and recorder playback (the recorder is described in the next section) can be set from 32 to 280 beats per minute by using the [TEMPO ▼/▲] buttons. The selected tempo will appear on the LED display while in the normal play mode and while the [TEMPO ▼/▲] buttons are being used to adjust the tempo in the recording/playback mode. The default tempo (120 or the recorded song tempo when the recorder contains data and the playback track indicator is lit) can be recalled by simultaneously pressing the [▼] and [▲] buttons.

# Using the Recorder

The YDP-121 features a two-track recorder that let you record what you play on the keyboard and then play it back. Two tracks mean that you can “overdub” one part on top of another, using a different voice if you like. The recorder feature is a useful adjunct to any keyboard study program, since it lets you hear exactly how you sound from the listener’s perspective. It can also be just plain fun.

The recorder actually records the following data:

■ Entire Song

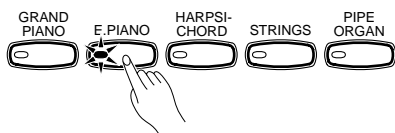
- Tempo
- Time signature (beat)
- Reverb type (including OFF)

■ Individual Tracks

- Notes played
- Voice selection
- Voice variation
- Dual mode voices
- Damper pedal
- Soft pedal
- Sostenuto pedal (not recorded as an initial setting)
- Reverb depth
- Dual balance (F3)
- Dual detune (F3)
- Dual octave shift (F3)

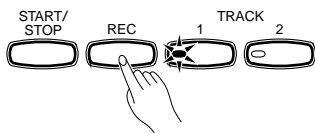
## Recording

### 1 Make All Necessary Initial Settings .....



Before actually beginning to record, select the voice you want to record with (or voices if you will be using the dual mode). You might also want to set the volume and tempo controls.

### 2 Engage the Record Ready Mode .....

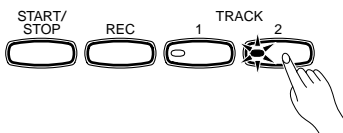


Press the [REC] button to engage the record ready mode (recording does not actually start yet). The record ready mode can be disengaged before recording by pressing the [REC] button a second time.



- The record ready mode cannot be engaged while the demo/piano song mode is engaged.

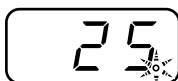
### 3 Select the Record Track .....

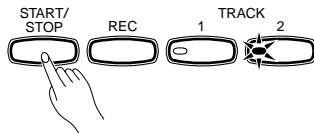


When the record mode is engaged in the previous step, the last-recorded track will automatically be selected for recording and its indicator — i.e. the [1] or [2] button indicator — will glow red. If you want to record on a different track, press the appropriate track button so that its indicator glows red.



- The track button indicators of tracks which contain previously recorded data will glow green (unless the track is turned off as described below). The previously-recorded data on the non-record track will normally be played back as you record, so you can play along with a previously-recorded track. If you don't want to hear the previously recorded track as you record (when you want to record a song different from what you recorded on the previous track etc.), press the playback track button before pressing the [REC] button (step 1, above) so that its indicator goes out.
- Recording on a track which already contains data will erase all previous data on that track.
- When the record mode is engaged the amount of memory available for recording will be shown on the LED display in approximate kilobytes (starting at “25”), and the rightmost dot on the LED display will flash at the current METRONOME tempo setting.



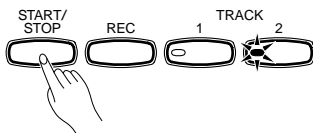


## 4 Start Recording .....

Recording will begin automatically as soon as you play a note on the keyboard or press the [START/STOP] button. The current measure number will appear on the display while recording.

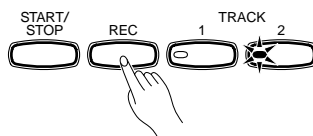


- The left pedal can be assigned to start and stop recording via the “Left Pedal Mode” function described on page 26.
- If the metronome was on when you started recording, you’ll be able to keep time with the metronome while recording, but the metronome sound will not be recorded.
- You can record up to a maximum of about 5,000 notes, depending on pedal usage and other factors. The record track indicator will begin to flash when recorder memory is almost full. If the memory becomes full during recording, “FULL” will appear on the display and recording will stop automatically. (All recorded data up to that point will be retained.)



## 5 Stop Recording .....

Press either the [REC] or [START/STOP] button to stop recording. The indicator of the recorded track will glow green to indicate that it now contains data.



## Changing the Initial Settings .....

The initial voice, tempo, reverb type, and reverb depth settings made in step 1 of the recording procedure are actually recorded by the YDP-121.

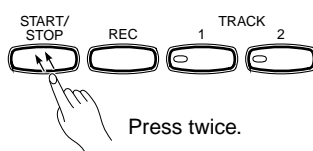
These initial settings can be changed after the recording is finished by pressing the [REC] button to engage the record ready mode, pressing the appropriate track button, making the required changes, and then pressing the [REC] button again to exit from the record ready mode and register the changes.

If you do this, be careful not to press the [START/STOP] button or a key on the keyboard, either of which will start recording and erase all previous recorded data on the selected track.

It is possible to cancel the operation even after changes have been made: change tracks and then press the [REC] button to exit from the record mode (this also cancels data for the entire song).



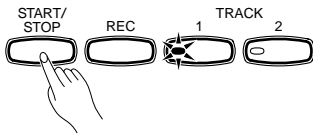
- The following data for initial settings cannot be changed: “Dual balance (F3)”, “Dual detune (F3)” or “Dual octave shift (F3)”.



## Erasing a Single Track .....

All data can be erased from either of the recorder’s tracks by engaging the record mode, selecting the track you want to erase, and then pressing the [START/STOP] button twice without recording any data.

## Playback



To playback what you've recorded, first make sure that the green track indicators of the tracks you want to play are lit. If not, press the corresponding track button(s) so that they are lit. Then press the **[START/STOP]** button. Playback starts from the beginning of the recorded data, and will stop automatically at the end of the recorded data. You can also stop playback at any time by pressing the **[START/STOP]** button.

To mute a track so that it doesn't play back, press the corresponding track button so that its indicator goes out (press again to turn the track back on).

The current measure number appears on the display during playback.

### NOTE

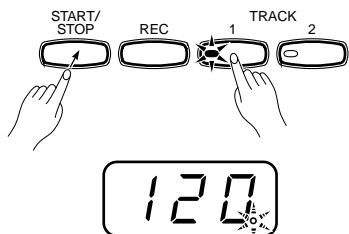
- It is possible to play along on the keyboard during playback. In this case, the playback voice and the voice you play on the keyboard are not the same. The playback voice is the voice that was set when the data was recorded. The voice you play on the keyboard is the voice that is selected on the panel.
- The playback volume and tempo can be adjusted by using the **[MASTER VOLUME]** control and **[TEMPO ▼/▲]** buttons (press both **[TEMPO ▼/▲]** buttons simultaneously to recall the default tempo).
- All recorder data will be retained in memory for about one week after the power is turned off. If you want to keep your recorded data for longer periods, turn the power on for a few minutes at least once a week.
- The track indicators will not light automatically when the power is turned on even if the recorder contains data. It is therefore necessary to press the track buttons so that the corresponding green indicators light before starting recorder playback. It is also a good idea to press the track buttons to check if the tracks contain data before recording. If the green indicator lights when the corresponding track button is pressed, that track contains data which will be erased and replaced by the newly-recorded data.
- If the metronome is being used during playback, the metronome will automatically stop when playback is stopped.
- During recorder playback, the volume of a track which is turned off will always be "0" (i.e. the "Piano Song Part Cancel Volume" function — page 26 — only affects piano song playback).
- Playback cannot be started when the demo/piano song mode is engaged.
- Playback cannot be started when the recorder contains no data, or when both track buttons are off.
- When using **REVERB** during playback, depending upon the conditions one reverb type will take priority.

### Synchro Start .....

When the Synchro Start function is engaged, recorder playback will begin automatically as soon as you start playing on the keyboard.

To engage the Synchro Start function press the **[START/STOP]** button while holding a track button which is ON. The rightmost dot on the display will flash at the current tempo. (Repeat the previous operation to disengage the Synchro Start function.) Playback will then start as soon as you begin playing on the keyboard.

If you hold a track button which is OFF while pressing the **[START/STOP]** button, that track will be turned ON and the Synchro Start mode will be engaged.



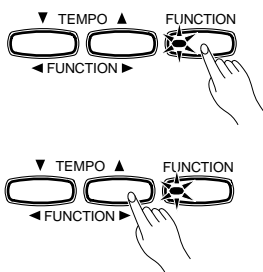
### Left Pedal Start/Stop .....

The left pedal can be assigned to start and stop recorder playback via the "Left Pedal Mode" function described on page 26. This is convenient for starting playback of the recorded part anytime after you have started playing.

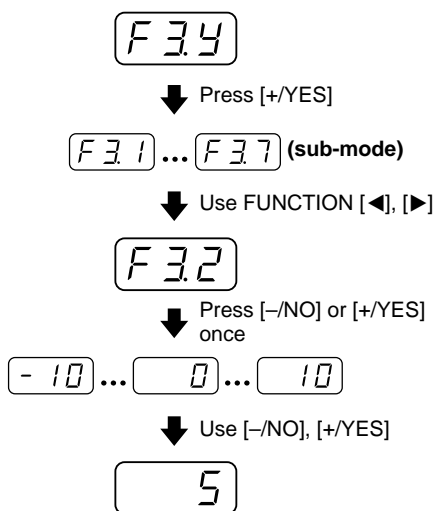
# The Function Mode

The **[FUNCTION]** button provides access to a range of functions that give the YDP-121 extraordinary versatility. The functions are categorized in groups as follows:

<b>F1</b>	<b>Tuning</b> .....	24
<b>F2</b>	<b>Scale</b> .....	24
<b>F3</b>	<b>Dual Mode Functions</b> .....	25
<b>F4</b>	<b>Left Pedal Mode</b> .....	26
<b>F5</b>	<b>Metronome Volume</b> .....	26
<b>F6</b>	<b>Piano Song Part Cancel Volume</b> .....	26
<b>F7</b>	<b>Backup Functions</b> .....	27



## ● Operation Example



## To Select a Function .....

**1** Press the **[FUNCTION]** button so that its indicator lights.



• Functions cannot be selected during demo/piano song playback or when the recorder is in operation.

**2** Use the **FUNCTION** [**◀**] and [**▶**] buttons to select the desired function.

**3** In the case of the Scale (F2), Dual Mode (F3), and Backup (F7) functions, you will have to press the **[+ / YES]** button once to enter the respective sub-mode after the function has been selected, and then use the **FUNCTION** [**◀**] and [**▶**] buttons again to select the desired sub-function.



• The Dual mode must be engaged before the F3 function can be selected. If the Dual mode is not engaged, "F3.-" will appear on the display and the Dual sub-mode will not be available.

**4** Set the function as required by using the **[- / NO]** and **[+ / YES]** buttons (see the individual function descriptions, below).



• After selecting the function, the current setting will be displayed when the **[- / NO]** or **[+ / YES]** button is pressed for the first time.

**5** Press the **[FUNCTION]** button so that its indicator goes out to exit from the function mode.

## F1 Tuning

In addition to the tuning method described on page 18, overall tuning can also be accomplished via the F1 function.

After selecting “F1”, use the [–/NO] and [+ /YES] buttons to lower or raise the pitch in approximately 0.2 Hz increments (the first time the [–/NO] or [+ /YES] button is pressed simply switches to the tuning value display without actually changing the tuning). The overall tuning range is from 427.0 Hz to 453.0 Hz (corresponding to the A3 note’s Hz). Press the [–/NO] and [+ /YES] buttons simultaneously to recall the default value “440 Hz”.

Tenths of a Hertz are indicated on the LED display by the appearance and position of one or two dots, as in the following example:

Display	Value
440	440.0
4.40	440.2
44.0	440.4
440.	440.6
4.40.	440.8

## F2 Scale

After selecting “F2.4”, press the [+ /YES] button to engage the scale function sub-mode, then use the **FUNCTION** [◀] and [▶] buttons to select the desired scale function, as listed below.

### F2.1: Scale .....

In addition to the standard Equal Temperament tuning, the YDP-121 includes 6 classic tunings that you can select and use to play music of the corresponding period, or experiment with in a more modern context. The tunings are:

- |                      |                 |
|----------------------|-----------------|
| 1: Equal Temperament | 5: Mean Tone    |
| 2: Pure Major        | 6: Werckmeister |
| 3: Pure Minor        | 7: Kirnberger   |
| 4: Pythagorean       |                 |

Use the [–/NO] and [+ /YES] buttons to select the number of the desired tuning. Press the [–/NO] and [+ /YES] buttons simultaneously to recall the default settings (Equal Temperament tuning).

### F2.2: Base Note .....

Unlike Equal Temperament tuning, these classic tunings must be tuned to a specific key. Use the [–/NO] and [+ /YES] buttons to select the key you want the previously selected tuning to be based. The selected key will appear on the display, followed by a low bar if flat (e.g. “A<sub>b</sub>”) or a high bar if sharp (e.g. “F<sup>#</sup>”).

Press the [–/NO] and [+ /YES] buttons simultaneously to recall the default settings “C”.



• The base note setting is effective for tunings other than the Equal Temperament tuning.




## F3 Dual Mode Functions

After selecting “F 3.5”, press the [+/**YES**] button to engage the dual-mode function sub-mode, then use the **FUNCTION** [◀] and [▶] buttons to select the desired dual mode function, as listed below.

If the Dual mode is not engaged “F 3.-” will appear instead of “F 3.5” and the Dual mode functions cannot be selected. If this happens engage the Dual mode and proceed.

■ **SHORTCUT:** You can jump directly to the dual-mode functions (F3) by pressing the **[FUNCTION]** button while holding the two dual-mode voice selectors.

 **NOTE** • Dual mode function settings are set individually for each voice combination.

### F3.1: Dual Balance .....

The volume levels of the two voices combined in the dual mode can be adjusted as required by using this function. Use the [–/**NO**] and [+/**YES**] buttons to adjust the balance as required. The balance range is from 0 through 20. A setting of “10” produces equal balance between the two dual-mode voices. Settings below “10” increase the volume of the 2nd Voice in relation to the 1st Voice, and settings above “10” increase the volume of the 1st Voice in relation to the 2nd Voice (“1st” and “2nd” is explained on page 14). Press the [–/**NO**] and [+/**YES**] buttons simultaneously to recall the default setting (different for each voice combination).

You can set one voice as the main voice, and another voice as a softer, mixed voice.

### F3.2: Dual Detune .....

This function makes it possible to detune the 1st and 2nd dual-mode Voices to create a thicker sound. Use the [–/**NO**] and [+/**YES**] buttons to set the amount of detuning as required. The detune range is from –10 through 10. A setting of “0” sets both voices to the same pitch. Settings below “0” increase the pitch of the 2nd Voice in relation to the 1st Voice, and settings above “0” increase the pitch of the 1st Voice in relation to the 2nd Voice (“1st” and “2nd” is explained on page 14). Press the [–/**NO**] and [+/**YES**] buttons simultaneously to recall the default setting (different for each voice combination).

### F3.3: 1st Voice Octave Shift .....

### F3.4: 2nd Voice Octave Shift .....

Depending on which voices you combine using the dual mode, the combination may sound better if one of the voices is shifted up or down an octave. Use the [–/**NO**] and [+/**YES**] buttons to set the octave of the 1st or 2nd Voice as required (“1st” and “2nd” is explained on page 14). The available settings are “0” for normal pitch, “–1” to shift the pitch down one octave, and “1” to shift the pitch up one octave. Press the [–/**NO**] and [+/**YES**] buttons simultaneously to recall the default setting (different for each voice combination).

### F3.5: Reset .....

This function resets all dual-mode functions to their default values. Press the [+/**YES**] button to reset the values. “E n d” will appear on the display when all functions have been reset.

## F4 Left Pedal Mode

This function sets the left pedal for normal soft-pedal operation or for song start/stop operation. Use the [–/NO] and [+ /YES] buttons to select the desired left-pedal mode. “1” is the normal soft-pedal mode and “2” is the start/stop mode. When the start/stop mode is selected, the left pedal functions in the same way as the panel [START/STOP] button. Press the [–/NO] and [+ /YES] buttons simultaneously to recall the default setting “1”.

## F5 Metronome Volume

■ **SHORTCUT:** You can jump directly to the metronome functions by pressing the [FUNCTION] button while holding the [METRONOME] button.

The volume of the metronome sound can be changed. After selecting “F 5”, use the [–/NO] and [+ /YES] buttons to set the metronome volume as required. The volume range is from 1 through 20. A setting of “1” produces minimum sound, while a setting of “20” produces maximum metronome volume. Press the [–/NO] and [+ /YES] buttons simultaneously to recall the default setting “10”.

## F6 Piano Song Part Cancel Volume

This function sets the volume at which a “canceled” part is played during piano song playback (see page 13 for information on the “part-cancel” function). Use the [–/NO] and [+ /YES] buttons to set the volume as required. The volume range is from 0 through 20. A setting of “0” produces no sound, while a setting of “20” produces maximum volume. Press the [–/NO] and [+ /YES] buttons simultaneously to recall the default setting “5”.

Adjust the part volume to a comfortable level to use the “canceled” part as a guide to play along with. Set to “0” if you don’t want to hear the part.

## F7 Backup Functions

After selecting “F 7.3”, press the [+/**YES**] button to engage the backup function sub-mode, then use the **FUNCTION** [◀] and [▶] buttons to select the desired backup function, as listed below.



**NOTE**

- The backup settings themselves, and the contents of the recorder memory, are always backed up.
- Even if the Backup is turned on, factory presets can be recalled at any time (see page 28). The factory setting list is found on page 29.

Even if backup is turned on via one of the functions described below, the data will only be retained in memory for about 1 week if the power is not turned on during this time. If the backup period is exceeded, all settings will be reset to their default values. If you want to retain the backup settings for longer periods, be sure to turn the power switch on for a few minutes at least once a week.

### F7.1: Voice .....

Turns backup of the voice functions listed below on or off. Use the [–/**NO**] and [+/**YES**] buttons to turn backup “On” or “OFF”.

The default backup mode is “OFF”.

- Voice (Keyboard, Dual)
- Dual (ON/OFF, Voice, and Dual Functions for each voice combination)
- Reverb (ON/OFF, Type, and Depth for each voice)
- Variation (ON/OFF for each voice)
- Touch Sensitivity (including the **FIXED** volume)
- Metronome (Beat, Volume)
- Piano Song Part Cancel Volume

### F7.2: Tuning .....

Turns backup of the tuning functions listed below on or off. Use the [–/**NO**] and [+/**YES**] buttons to turn backup “On” or “OFF”.

The default backup mode is “OFF”.

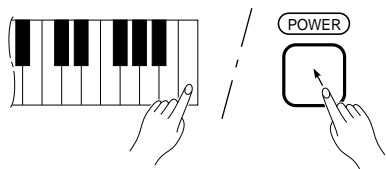
- Transpose • Tuning • Scale (including base note)

### F7.3: Pedal .....

Turns backup of the Left Pedal Mode on or off. Use the [–/**NO**] and [+/**YES**] buttons to turn backup “On” or “OFF”.

The default backup mode is “OFF”.

# Factory Preset Recall



All dual mode, reverb, touch sensitivity, tuning settings, and the settings affected by the Backup Functions can be restored to their original factory preset values by holding the C7 key (rightmost key on the keyboard) while turning the [POWER] switch ON. This also erases all recorder data, and sets all Backup on/off settings (F7) to “OFF”.



• The factory setting list is found on page 29.

# Troubleshooting

If you encounter what appears to be a malfunction, please check the following points before assuming that your YDP-121 is faulty.

## 1. No Sound When the Power is Turned ON

Is the AC plug properly connected to the YDP-121 and an AC wall outlet? Check the AC connection carefully. Is the MASTER VOLUME control turned up to a reasonable listening level?

Also make sure that a pair of headphones is not plugged into the PHONES jack.

## 2. The Damper Pedal Doesn't Work

If the damper pedal doesn't work, or notes are sustained even when the pedal is not pressed, make sure that the pedal cord is properly plugged into the main unit (page 32).

## 3. The YDP-121 Reproduces Radio or TV Sound

This can occur if there is a high-power transmitter in your vicinity. Contact your Yamaha dealer.

## 4. Intermittent Static Noise

This is usually due to turning ON or OFF a household appliance or other electronic equipment which is fed by the same AC mains line as your YDP-121.

## 5. Interference Appears On Radio or TV Sets Located Near the YDP-121

The YDP-121 contains digital circuitry which can generate radio-frequency noise. The solution is to move the YDP-121 further away from the affected equipment, or vice versa.

## 6. Noise is heard from the speakers or headphones.

The noise may be due to interference caused by the use of a mobile phone in close proximity to the YDP-121.

Turn off the mobile phone, or use it further away from the YDP-121.

- If “5c n” appears on the display an internal malfunction has occurred. In this case, contact your Yamaha dealer.

# Options

## BC-8 Bench

A comfortable bench styled to match your Yamaha YDP-121.

## HPE-160 Stereo Headphones

High-performance lightweight dynamic headphones with extra-soft ear pads.

# Demo Song List

## Voice Demo Tune Titles

Voice Name	Title	Composer
GRAND PIANO	Fantaisie Impromptu	F.F.Chopin
E.PIANO	Original	—
HARPSICHORD	Gavotte (French Suite)	J.S.Bach
STRINGS	Eine Kleine Nachtmusik 3rd Mov.	W.A.Mozart
PIPE OPRGAN	Trio Sonata 2	J.S.Bach

- Some of the demonstration pieces listed above are short excerpts from the original compositions. Original songs are all rights reserved (© 2001 by YAMAHA CORPORATION).
- Certains morceaux de démonstration énumérés ci-dessus sont de courts extraits des compositions originales. Les morceaux originaux sont protégés par la loi sur les droits d'auteur (© 2001 par YAMAHA CORPORATION).
- Bei manchen der oben aufgeführten Demo-Stücke handelt es sich um kurze Auszüge aus den Originalkompositionen. Originalkompositionen sind urheberrechtlich geschützt (© 2001 by YAMAHA CORPORATION).
- Algunas de las piezas de demostración arriba mencionadas son pasajes cortos de las composiciones originales. Las canciones originales tienen derechos reservados (© 2001 por YAMAHA CORPORATION).

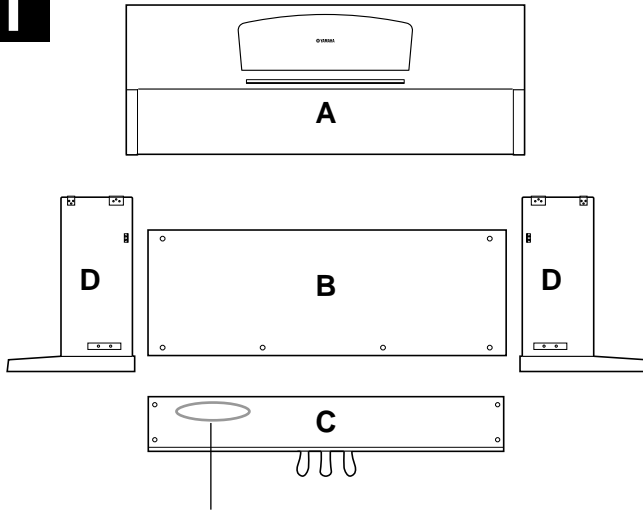
## Factory Setting List

	Default	Backup Group	
Voice	GRAND PIANO	F7.1	
Dual Mode	OFF		
Reverb Type	Preset for each voice		
Reverb Depth	Preset for each voice		
Effect Type	Preset for each voice		
Effect Depth	Preset for each voice		
Touch Sensitivity	MEDIUM		
Volume in the FIXED Mode	64		
Metronome	OFF		—
Metronome Time Signature	0 (no accent)		F7.1
Tempo	120	—	
Transpose	0	F7.2	

“—”: Not memorized

## Function

	Function	Default	Backup Group
F1	Tuning	A3=440Hz	F7.2
F2.1	Scale	1 (Equal Temperament)	
F2.2	Base Note	C	
F3.1	Dual Balance	Preset for each voice combination	F7.1
F3.2	Dual Detune	Preset for each voice combination	
F3.3, F3.4	Dual Octave Shift	Preset for each voice combination	
F4	Left Pedal Mode	1 (soft pedal)	F7.3
F5	Metronome Volume	10	F7.1
F6	Piano Song Part Cancel Volume	5	
F7	Backup	All OFF	
			Always backed up

**1**

• Bundled pedal cord inside



• Cord holders x 2



• AC power cord



• 6 x 35 mm round-head screws x 4 ①



• 4 x 10 mm round-head screws x 2 ②



• 4 x 16 mm tapping screws x 4 ③



• 6 x 16 mm flat-head screws x 4 ④

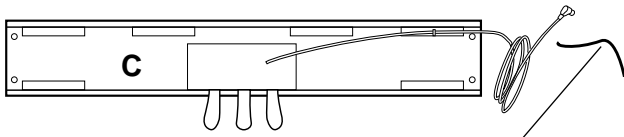
## Keyboard Stand Assembly

### CAUTION

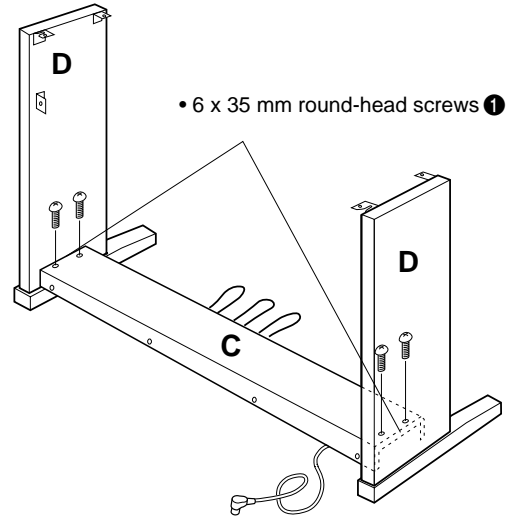
- Be careful not to confuse parts, and be sure to install all parts in the correct direction. Please assemble in accordance with the sequence given below.
- Assembly should be carried out by at least two persons.
- Be sure to use the correct screw size, as indicated above. Use of incorrect screws can cause damage.
- Be sure to tighten up all screws upon completing assembly of each unit.
- To disassemble, reverse the assembly sequence given below.

### Z Open the box and remove all the parts.

On opening the box you should find the parts shown in the illustration above. Check to make sure that all the required parts are provided.

**2**

- This vinyl tie will be used later in step N.

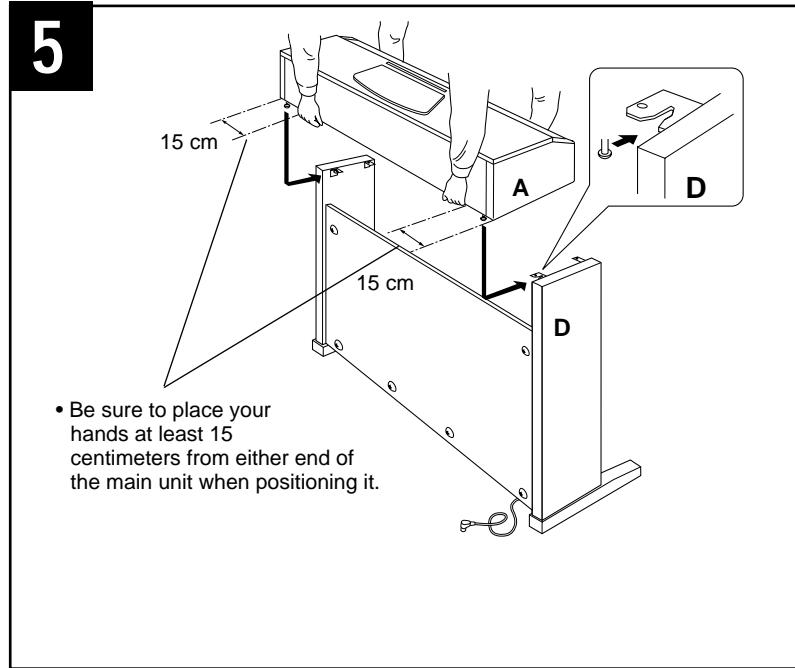
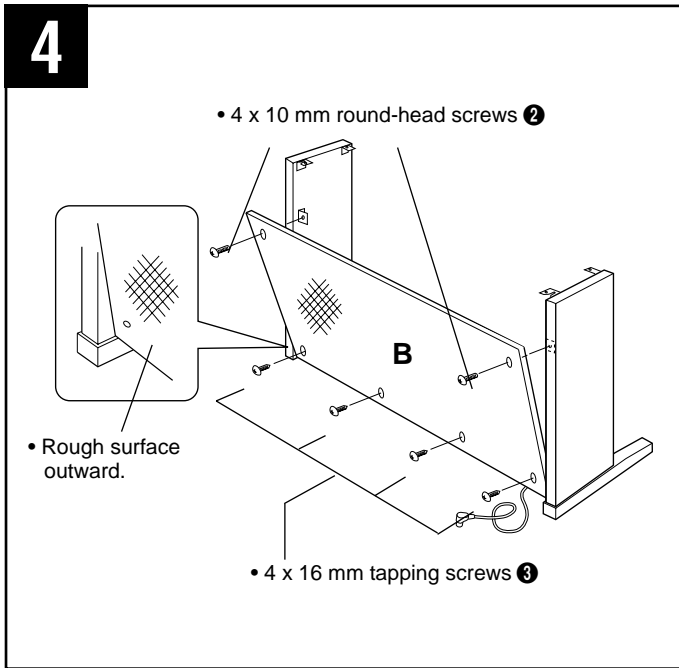
**3**

### ✕ Untie the vinyl tie.

Untie the vinyl tie and straighten out the bundled cord attached to the bottom of the pedal box. Don't discard the vinyl tie, you'll need it later in step N.

### ○ Attach the side panels (D) to the pedal box (C).

Place the pedal box on top of the wooden blocks attached to the side panels (D), and while eliminating any gaps between the pedal box and side panels, attach using the four 6 x 35 millimeter round-head screws 1 — two screws on each side. Make sure the pedals extend in the same direction as the side panel feet.



### ✓ Attach the rear panel (B).

With the rear panel's rough surface facing outward and the panel slightly angled as shown in the illustration, lower it onto the feet's protruding edge at the rear of the pedal box. Then, while eliminating any gaps between the rear and side panels, secure the top of the rear panel to the side panel brackets using two 4 x 10 mm round-head screws ②. Finally, secure the bottom of the rear panel to the pedal box using four 4 x 16 mm tapping screws ③.

### B Install the main unit (A).

Place the main unit (A) on the side panels (D) with the screws on its bottom panel (toward the rear of the main unit) just behind the grooves in the brackets located at the top of the side panels. Then slide the main unit forward until it stops.

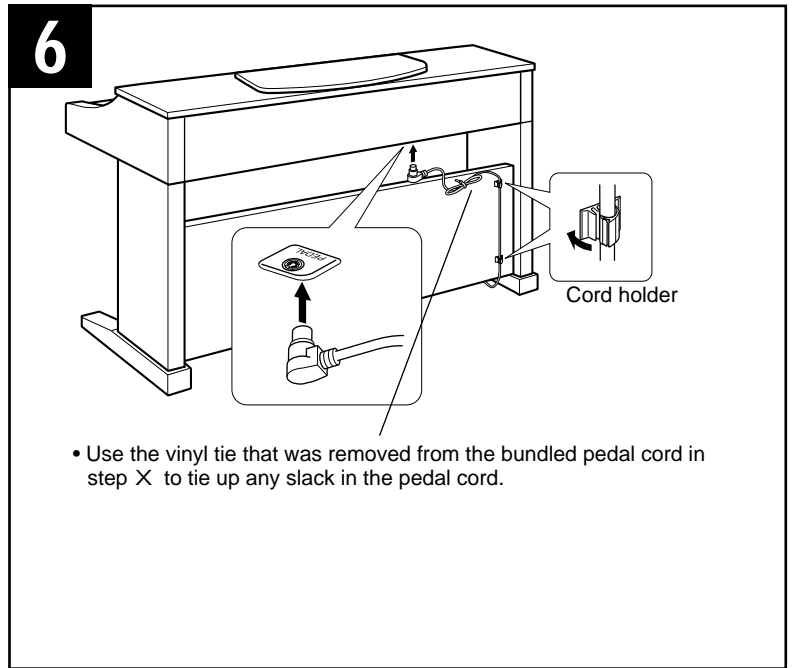
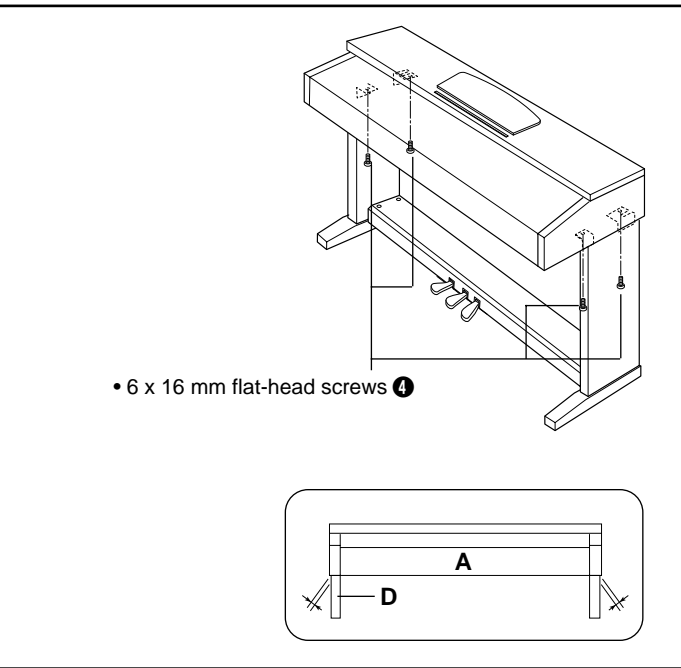
#### **WATCH YOUR FINGERS WHEN DOING THIS!!**

Align the holes on the bottom panel of the main unit with the holes in the brackets on the side panels (also center the main unit to produce equal clearance on the left and right sides, as shown in the illustration), then screw in and securely tighten the four 6 x 16 millimeter flat-head screws ④.

#### **⚠ CAUTION**

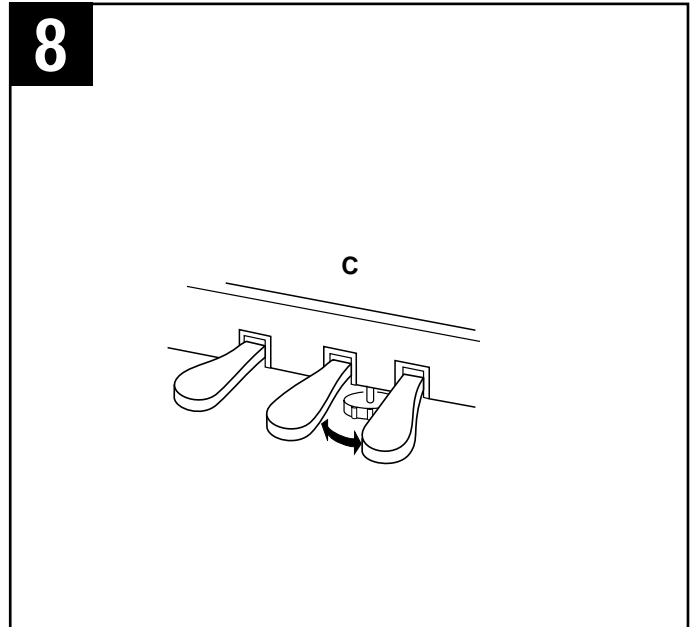
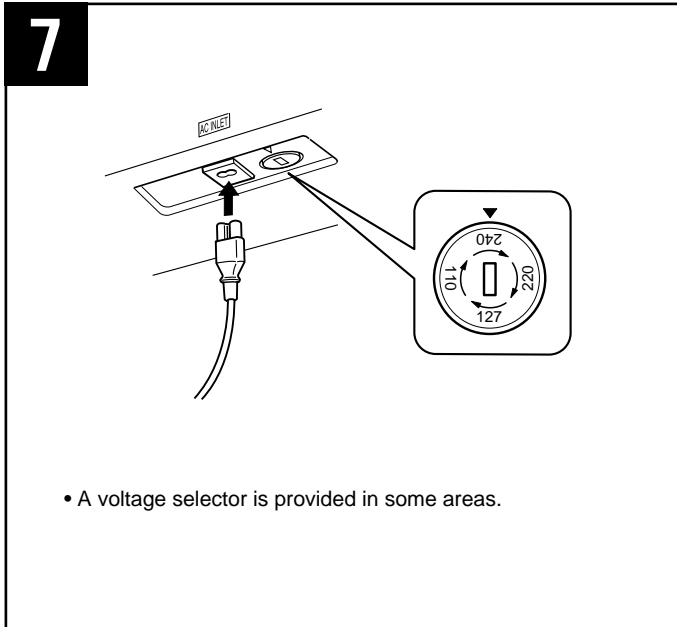
- Do not hold the keyboard in any position other than the position shown in the above illustration.
- Fingers can become pinched between the main unit and the rear or side panels, be extra careful so as not to drop the main unit.





### N Connect the pedal cord.

The pedal cord from the pedal box must be plugged into the PEDAL connector located at the rear of the main unit's underside. Once connected, attach the cord holders to the rear panel as shown, then clip the cord into the holders.



### M Voltage Selector and AC power cord.

Before connecting the AC power cord, check the setting of the voltage selector which is provided in some areas. To set the selector for 110V, 127V, 220V or 240V main voltages, use a “minus” screwdriver to rotate the selector dial so that the correct voltage for your region appears next to the pointer on the panel. The voltage selector is set at 240V when the unit is initially shipped.

After the proper voltage has been selected, connect the AC power cord to the AC INLET and an AC wall outlet. A plug adaptor may be also provided in some areas to match the pin configuration of the AC wall outlets in your area.

#### **⚠ CAUTION**

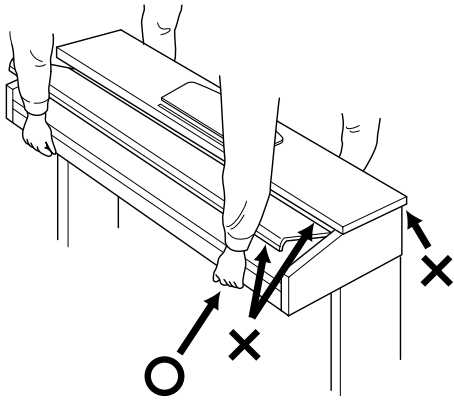
- An improper voltage setting can cause serious damage to the YDP-121 or result in improper operation.

#### < **Set the adjuster.**

For stability, an adjuster is provided on the bottom of the pedal box (C). Rotate the adjuster until it comes in firm contact with the floor surface. The adjuster ensures stable pedal operation and facilitates pedal effect control. If the adjuster is not in firm contact with the floor surface, distorted sound may result.

#### ■ **After completing the assembly, please check the following.**

- Are there any parts left over?
  - Review the assembly procedure and correct any errors.
- Is the YDP-121 clear of doors and other movable fixtures?
  - Move the YDP-121 to an appropriate location.
- Does the YDP-121 make a rattling noise when you shake it?
  - Tighten all screws.
- Does the pedal box rattle or give way when you step on the pedals?
  - Turn the adjuster so that it is set firmly against the floor.
- Is the pedal cord inserted securely into the socket?
  - Check the connection.
- If the main unit creaks or is otherwise unsteady when you play on the keyboard, refer to the assembly diagrams and retighten all screws.



**⚠ CAUTION**

- When moving the instrument after assembly, always hold the lower surface of the main unit, **NEVER** the top portion. Improper handling can result in damage to the instrument or personal injury.

# Specifications

<b>KEYBOARD</b>	88 KEYS (A-1 ~ C7)	
<b>POLYPHONY</b>	32 NOTES MAX.	
<b>VOICE SELECTORS</b>	5 voices + Variation for each voice	
<b>REVERB</b>	ROOM, HALL 1, HALL 2, STAGE	
<b>TOUCH SENSITIVITY</b>	HARD, MEDIUM, SOFT, FIXED	
<b>RECORDER</b>	1, 2, START/STOP, REC	
<b>PEDAL CONTROLS</b>	SOFT, SOSTENUTO, DAMPER	
<b>OTHER CONTROLS</b>	MASTER VOLUME, DEMO, TRANSPOSE, METRONOME, TEMPO [s ]/[t ], FUNCTION, SONG, SONG SELECT [s ]/[t ], LED Display	
<b>JACKS/CONNECTORS</b>	PHONES x 2, PEDAL	
<b>MAIN AMPLIFIERS</b>	20W x 2	
<b>SPEAKERS</b>	16 cm x 2	
<b>DIMENSIONS (W x D x H)</b>	Music stand down	1384 x 468 x 829 mm (54-1/2" x 18-1/2" x 32-5/8")
	Music stand up	1384 x 468 x 1001 mm (54-1/2" x 18-1/2" x 39-3/8")
<b>WEIGHT</b>	46 kg (101 lbs., 7 oz)	

- Specifications and descriptions in this owner's manual are for information purposes only. Yamaha Corp. reserves the right to change or modify products or specifications at any time without prior notice. Since specifications, equipment or options may not be the same in every locale, please check with your Yamaha dealer.

# FCC INFORMATION (U.S.A.)

## 1. IMPORTANT NOTICE: DO NOT MODIFY THIS UNIT!

This product, when installed as indicated in the instructions contained in this manual, meets FCC requirements. Modifications not expressly approved by Yamaha may void your authority, granted by the FCC, to use the product.

**2. IMPORTANT:** When connecting this product to accessories and/or another product use only high quality shielded cables. Cable/s supplied with this product MUST be used. Follow all installation instructions. Failure to follow instructions could void your FCC authorization to use this product in the USA.

**3. NOTE:** This product has been tested and found to comply with the requirements listed in FCC Regulations, Part 15 for Class "B" digital devices. Compliance with these requirements provides a reasonable level of assurance that your use of this product in a residential environment will not result in harmful interference with other electronic devices. This equipment generates/uses radio frequencies and, if not installed and used according to the instructions found in the users manual, may cause interference harmful to the operation of other electronic devices. Compliance with FCC

regulations does not guarantee that interference will not occur in all installations. If this product is found to be the source of interference, which can be determined by turning the unit "OFF" and "ON", please try to eliminate the problem by using one of the following measures:

Relocate either this product or the device that is being affected by the interference.

Utilize power outlets that are on different branch (circuit breaker or fuse) circuits or install AC line filter/s.

In the case of radio or TV interference, relocate/reorient the antenna. If the antenna lead-in is 300 ohm ribbon lead, change the lead-in to co-axial type cable.

If these corrective measures do not produce satisfactory results, please contact the local retailer authorized to distribute this type of product. If you can not locate the appropriate retailer, please contact Yamaha Corporation of America, Electronic Service Division, 6600 Orangethorpe Ave, Buena Park, CA90620

The above statements apply ONLY to those products distributed by Yamaha Corporation of America or its subsidiaries.

\* This applies only to products distributed by YAMAHA CORPORATION OF AMERICA.

(class B)

## IMPORTANT NOTICE FOR THE UNITED KINGDOM

### Connecting the Plug and Cord

**IMPORTANT.** The wires in this mains lead are coloured in accordance with the following code:

BLUE : NEUTRAL  
BROWN : LIVE

As the colours of the wires in the mains lead of this apparatus may not correspond with the coloured markings identifying the terminals in your plug proceed as follows:

The wire which is coloured BLUE must be connected to the terminal which is marked with the letter N or coloured BLACK.

The wire which is coloured BROWN must be connected to the terminal which is marked with the letter L or coloured RED.

Making sure that neither core is connected to the earth terminal of the three pin plug.

(2 wires)

**CAUTION:** TO PREVENT ELECTRIC SHOCK, MATCH WIDE BLADE OF PLUG TO WIDE SLOT, FULLY INSERT.

**ATTENTION:** POUR ÉVITER LES CHOCs ÉLECTRIQUES, INTRODUIRE LA LAME LA PLUS LARGE DE LA FICHE DANS LA BORNE CORRESPONDANTE DE LA PRISE ET POUSSER JUSQU'AU FOND.

- This applies only to products distributed by Yamaha Canada Music Ltd. (polarity)
- Ceci ne s'applique qu'aux produits distribués par Yamaha Canada Musique Ltée.

• This applies only to products distributed by Yamaha-Kemble Music (U.K.) Ltd.

# IMPORTANT SAFETY INSTRUCTIONS

## INFORMATION RELATING TO PERSONAL INJURY, ELECTRICAL SHOCK, AND FIRE HAZARD POSSIBILITIES HAS BEEN INCLUDED IN THIS LIST.

**WARNING-** When using any electrical or electronic product, basic precautions should always be followed. These precautions include, but are not limited to, the following:

- 1.** Read all Safety Instructions, Installation Instructions, Special Message Section items, and any Assembly Instructions found in this manual **BEFORE** making any connections, including connection to the main supply.
- 2.** **Main Power Supply Verification:** Yamaha products are manufactured specifically for the supply voltage in the area where they are to be sold. If you should move, or if any doubt exists about the supply voltage in your area, please contact your dealer for supply voltage verification and (if applicable) instructions. The required supply voltage is printed on the name plate. For name plate location, please refer to the graphic found in the Special Message Section of this manual.
- 3.** This product may be equipped with a polarized plug (one blade wider than the other). If you are unable to insert the plug into the outlet, turn the plug over and try again. If the problem persists, contact an electrician to have the obsolete outlet replaced. Do **NOT** defeat the safety purpose of the plug.
- 4.** Some electronic products utilize external power supplies or adapters. Do **NOT** connect this type of product to any power supply or adapter other than one described in the owners manual, on the name plate, or specifically recommended by Yamaha.
- 5.** **WARNING:** Do not place this product or any other objects on the power cord or place it in a position where anyone could walk on, trip over, or roll anything over power or connecting cords of any kind. The use of an extension cord is not recommended! If you must use an extension cord, the minimum wire size for a 25' cord (or less) is 18 AWG. **NOTE:** The smaller the AWG number, the larger the current handling capacity. For longer extension cords, consult a local electrician.
- 6.** **Ventilation:** Electronic products, unless specifically designed for enclosed installations, should be placed in locations that do not interfere with proper ventilation. If instructions for enclosed installations are not provided, it must be assumed that unobstructed ventilation is required.
- 7.** **Temperature considerations:** Electronic products should be installed in locations that do not significantly contribute to their operating temperature. Placement of this product close to heat sources such as; radiators, heat registers and other devices that produce heat should be avoided.
- 8.** This product was **NOT** designed for use in wet/damp locations and should not be used near water or exposed to rain. Examples of wet/damp locations are; near a swimming pool, spa, tub, sink, or wet basement.
- 9.** This product should be used only with the components supplied or; a cart, rack, or stand that is recommended by the manufacturer. If a cart, rack, or stand is used, please observe all safety markings and instructions that accompany the accessory product.
- 10.** The power supply cord (plug) should be disconnected from the outlet when electronic products are to be left unused for extended periods of time. Cords should also be disconnected when there is a high probability of lightning and/or electrical storm activity.
- 11.** Care should be taken that objects do not fall and liquids are not spilled into the enclosure through any openings that may exist.
- 12.** Electrical/electronic products should be serviced by a qualified service person when:
  - a. The power supply cord has been damaged; or
  - b. Objects have fallen, been inserted, or liquids have been spilled into the enclosure through openings; or
  - c. The product has been exposed to rain; or
  - d. The product does not operate, exhibits a marked change in performance; or
  - e. The product has been dropped, or the enclosure of the product has been damaged.
- 13.** Do not attempt to service this product beyond that described in the user-maintenance instructions. All other servicing should be referred to qualified service personnel.
- 14.** This product, either alone or in combination with an amplifier and headphones or speaker/s, may be capable of producing sound levels that could cause permanent hearing loss. **DO NOT** operate for a long period of time at a high volume level or at a level that is uncomfortable. If you experience any hearing loss or ringing in the ears, you should consult an audiologist. **IMPORTANT:** The louder the sound, the shorter the time period before damage occurs.
- 15.** Some Yamaha products may have benches and/or accessory mounting fixtures that are either supplied as a part of the product or as optional accessories. Some of these items are designed to be dealer assembled or installed. Please make sure that benches are stable and any optional fixtures (where applicable) are well secured **BEFORE** using. Benches supplied by Yamaha are designed for seating only. No other uses are recommended.

## PLEASE KEEP THIS MANUAL

For details of products, please contact your nearest Yamaha or the authorized distributor listed below.

Pour plus de détails sur les produits, veuillez-vous adresser à Yamaha ou au distributeur le plus proche de vous figurant dans la liste suivante.

Die Einzelheiten zu Produkten sind bei Ihrer unten aufgeführten Niederlassung und bei Yamaha Vertragshändlern in den jeweiligen Bestimmungsländern erhältlich.

Para detalles sobre productos, contacte su tienda Yamaha más cercana o el distribuidor autorizado que se lista debajo.

## NORTH AMERICA

### CANADA

**Yamaha Canada Music Ltd.**  
135 Milner Avenue, Scarborough, Ontario,  
M1S 3R1, Canada  
Tel: 416-298-1311

### U.S.A.

**Yamaha Corporation of America,  
Keyboard Division**  
6600 Orangethorpe Ave., Buena Park, Calif. 90620,  
U.S.A.  
Tel: 714-522-9011

## CENTRAL & SOUTH AMERICA

### MEXICO

**Yamaha de Mexico S.A. De C.V.,  
Departamento de ventas**  
Javier Rojo Gomez No.1149, Col. Gpe Del  
Moral, Deleg. Iztapalapa, 09300 Mexico, D.F.  
Tel: 686-00-33

### BRAZIL

**Yamaha Musical do Brasil LTDA.**  
Av. Rebouças 2636, São Paulo, Brasil  
Tel: 011-853-1377

### ARGENTINA

**Yamaha Music Argentina S.A.**  
Viamonte 1145 Piso2-B 1053,  
Buenos Aires, Argentina  
Tel: 1-4371-7021

### PANAMA AND OTHER LATIN AMERICAN COUNTRIES/ CARIBBEAN COUNTRIES

**Yamaha de Panama S.A.**  
Torre Banco General, Piso 7, Urbanización Marbella,  
Calle 47 y Aquilino de la Guardia,  
Ciudad de Panamá, Panamá  
Tel: 507-269-5311

## EUROPE

### THE UNITED KINGDOM

**Yamaha-Kemble Music (U.K.) Ltd.**  
Sherbourne Drive, Tilbrook, Milton Keynes,  
MK7 8BL, England  
Tel: 01908-366700

### IRELAND

**Danfay Ltd.**  
61D, Sallynoggin Road, Dun Laoghaire, Co. Dublin  
Tel: 01-2859177

### GERMANY/SWITZERLAND

**Yamaha Europa GmbH.**  
Siemensstraße 22-34, 25462 Rellingen,  
F.R. of Germany  
Tel: 04101-3030

### AUSTRIA

**Yamaha Music Austria**  
Schleiergasse 20, A-1100 Wien Austria  
Tel: 01-60203900

### THE NETHERLANDS

**Yamaha Music Nederland**  
Kanaalweg 18G, 3526KL, Utrecht, The Netherlands  
Tel: 030-2828411

### BELGIUM

**Yamaha Music Belgium**  
Keiberg Imperiastraat 8, 1930 Zaventem, Belgium  
Tel: 02-7258220

### FRANCE

**Yamaha Musique France,  
Division Claviers**  
BP 70-77312 Marne-la-Vallée Cedex 2, France  
Tel: 01-64-61-4000

### ITALY

**Yamaha Musica Italia S.P.A.,  
Home Keyboard Division**  
Viale Italia 88, 20020 Lainate (Milano), Italy  
Tel: 02-935-771

### SPAIN/PORTUGAL

**Yamaha-Hazen Electronica Musical, S.A.**  
Ctra. de la Coruna km. 17, 200, 28230  
Las Rozas (Madrid) Spain  
Tel: 91-201-0700

### GREECE

**Philippe Nakas S.A.**  
Navarinou Street 13, P.Code 10680, Athens, Greece  
Tel: 01-364-7111

### SWEDEN

**Yamaha Scandinavia AB**  
J. A. Wettergrens Gata 1  
Box 30053  
S-400 43 Göteborg, Sweden  
Tel: 031 89 34 00

### DENMARK

**YS Copenhagen Liaison Office**  
Generatorvej 8B  
DK-2730 Herlev, Denmark  
Tel: 44 92 49 00

### FINLAND

**F-Musiikki Oy**  
Kluuvikatu 6, P.O. Box 260,  
SF-00101 Helsinki, Finland  
Tel: 09 618511

### NORWAY

**Norsk filial av Yamaha Scandinavia AB**  
Grini Næringspark 1  
N-1345 Østerås, Norway  
Tel: 67 16 77 70

### ICELAND

**Skifan HF**  
Skeifan 17 P.O. Box 8120  
IS-128 Reykjavik, Iceland  
Tel: 525 5000

### OTHER EUROPEAN COUNTRIES

**Yamaha Europa GmbH.**  
Siemensstraße 22-34, 25462 Rellingen,  
F.R. of Germany  
Tel: 04101-3030

## AFRICA

**Yamaha Corporation,  
Asia-Pacific Music Marketing Group**  
Nakazawa-cho 10-1, Hamamatsu, Japan 430-8650  
Tel: 053-460-2312

## MIDDLE EAST

### TURKEY/CYPRUS

**Yamaha Europa GmbH.**  
Siemensstraße 22-34, 25462 Rellingen,  
F.R. of Germany  
Tel: 04101-3030

### OTHER COUNTRIES

**Yamaha Music Gulf FZE**  
LB21-128 Jebel Ali Freezone  
P.O.Box 17328, Dubai, U.A.E.  
Tel: 971-4-881-5868

## ASIA

### HONG KONG

**Tom Lee Music Co., Ltd.**  
11/F., Silvercord Tower 1, 30 Canton Road,  
Tsimshatsui, Kowloon, Hong Kong  
Tel: 2737-7688

### INDONESIA

**PT. Yamaha Music Indonesia (Distributor)  
PT. Nusantik**  
Gedung Yamaha Music Center, Jalan Jend. Gatot  
Subroto Kav. 4, Jakarta 12930, Indonesia  
Tel: 21-520-2577

### KOREA

**Cosmos Corporation**  
1461-9, Seocho Dong, Seocho Gu, Seoul, Korea  
Tel: 02-3486-0011

### MALAYSIA

**Yamaha Music Malaysia, Sdn., Bhd.**  
Lot 8, Jalan Perbandaran, 47301 Kelana Jaya,  
Petaling Jaya, Selangor, Malaysia  
Tel: 3-703-0900

### PHILIPPINES

**Yupango Music Corporation**  
339 Gil J. Puyat Avenue, P.O. Box 885 MCPO,  
Makati, Metro Manila, Philippines  
Tel: 819-7551

### SINGAPORE

**Yamaha Music Asia Pte., Ltd.**  
11 Ubi Road #06-00, Meiban Industrial Building,  
Singapore  
Tel: 65-747-4374

### TAIWAN

**Yamaha KHS Music Co., Ltd.**  
10F, 150, Tun-Hwa Northroad,  
Taipei, Taiwan, R.O.C.  
Tel: 02-2713-8999

### THAILAND

**Siam Music Yamaha Co., Ltd.**  
121/60-61 RS Tower 17th Floor,  
Ratchadaphisek RD., Dindaeng,  
Bangkok 10320, Thailand  
Tel: 02-641-2951

### THE PEOPLE'S REPUBLIC OF CHINA AND OTHER ASIAN COUNTRIES

**Yamaha Corporation,  
Asia-Pacific Music Marketing Group**  
Nakazawa-cho 10-1, Hamamatsu, Japan 430-8650  
Tel: 053-460-2317

## OCEANIA

### AUSTRALIA

**Yamaha Music Australia Pty. Ltd.**  
Level 1, 99 Queensbridge Street, Southbank, Victoria  
3006, Australia  
Tel: 3-9693-5111

### NEW ZEALAND

**Music Houses of N.Z. Ltd.**  
146/148 Captain Springs Road, Te Papapa,  
Auckland, New Zealand  
Tel: 9-634-0099

### COUNTRIES AND TRUST TERRITORIES IN PACIFIC OCEAN

**Yamaha Corporation,  
Asia-Pacific Music Marketing Group**  
Nakazawa-cho 10-1, Hamamatsu, Japan 430-8650  
Tel: 053-460-2312

**HEAD OFFICE** Yamaha Corporation, Pro Audio & Digital Musical Instrument Division  
Nakazawa-cho 10-1, Hamamatsu, Japan 430-8650  
Tel: 053-460-3273



Yamaha Manual Library (English versions only)  
<http://www2.yamaha.co.jp/manual/english/>

**This document is printed on chlorine free (ECF) paper with soy ink.**

**Auf Umweltpapier mit Sojatinte gedruckt.**

**Ce document a été imprimé sur du papier non blanchi au chlore avec de l'encre d'huile de soja.**

**Este documento se ha impreso en papel sin cloro alguno, con tinta de soja.**

M.D.G., Pro Audio & Digital Musical Instrument Division, Yamaha Corporation  
© 2001 Yamaha Corporation

V740120 102POCP25.2-01A0 Printed in Japan