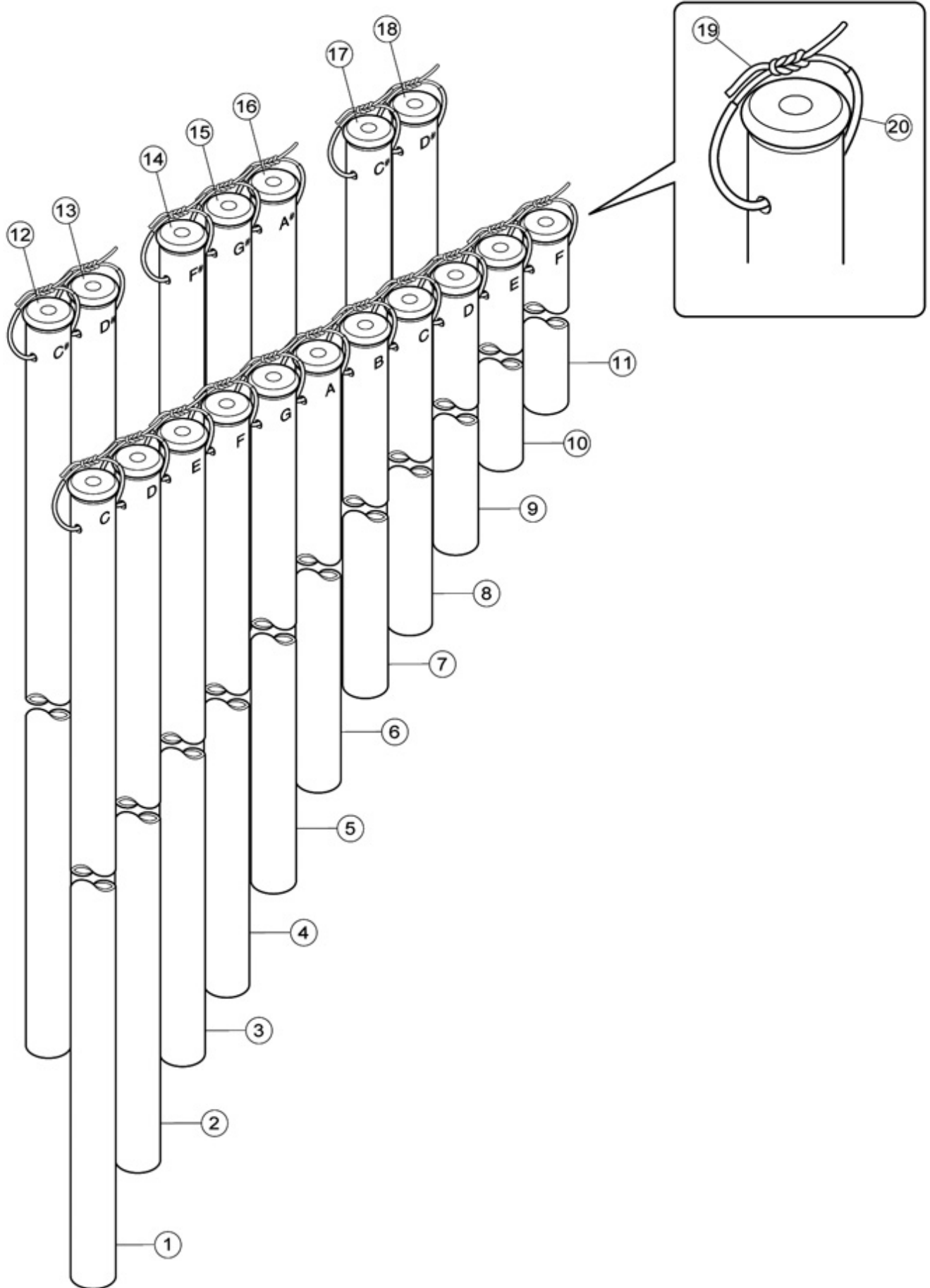
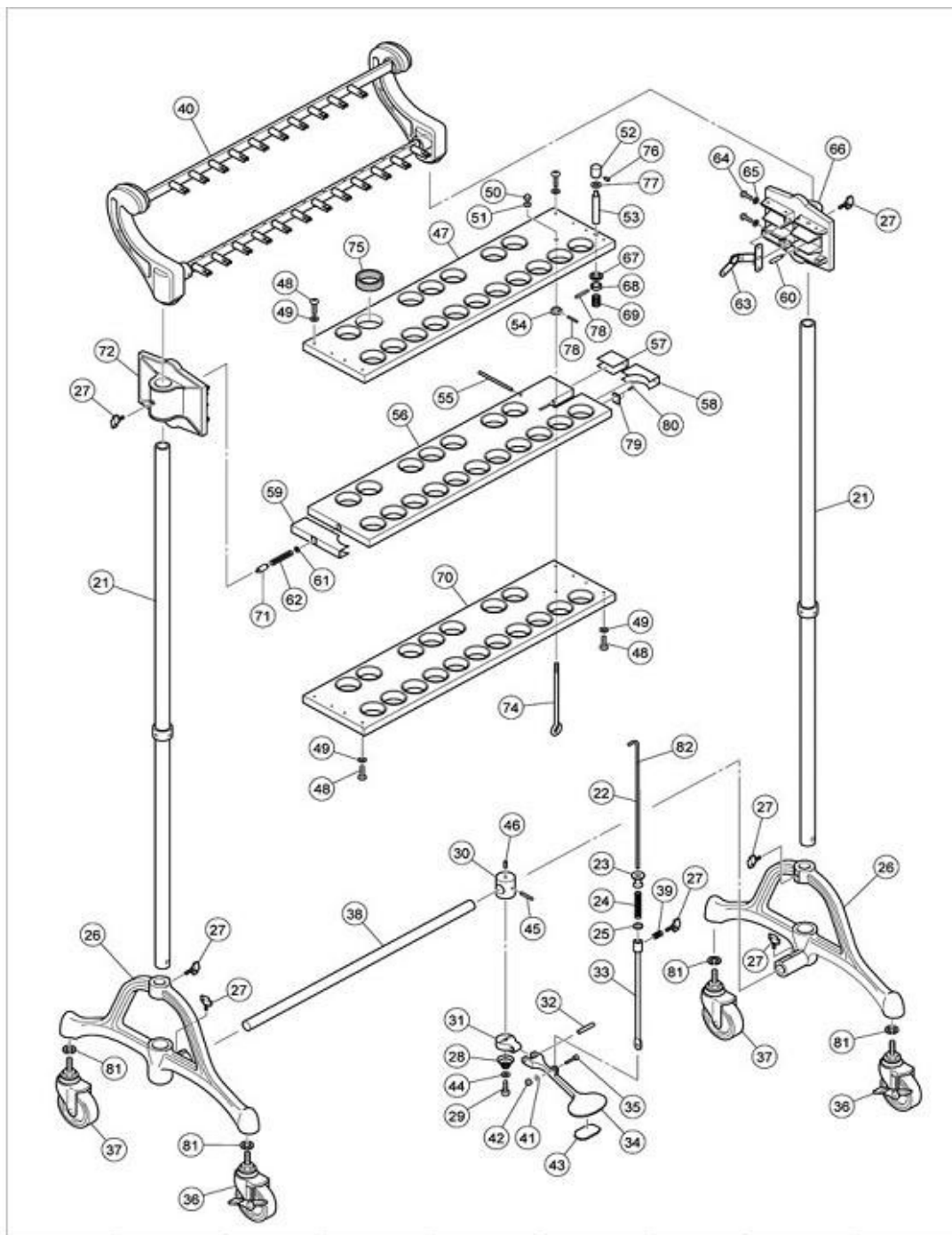


Model Name : DC9190B



Model Name : DC9190B



Model Name : DC9190B

Ref No.	Parts No.(ChangeNo.)	English Name	Minimum Delivery	Accept order or not
1	WJ574800	Sound Colum C52 DC9190B	1 PC	
10	WJ576400	Sound Colum E68 DC9190B	1 PC	
11	WJ576500	Sound Colum F69 DC9190B	1 PC	
12	WJ574900	Sound Colum C#53 DC9190B	1 PC	
13	WJ575100	Sound Colum D#55 DC9190B	1 PC	
14	WJ575400	Sound Colum F#58 DC9190B	1 PC	
15	WJ575600	Sound Colum G#60 DC9190B	1 PC	
16	WJ575800	Sound Colum A#62 DC9190B	1 PC	
17	WJ576100	Sound Colum C#65 DC9190B	1 PC	
18	WJ576300	Sound Colum D#67 DC9190B	1 PC	
19	WJ517800	Nylon Cord DC9190B	1 PC	
2	WJ575000	Sound Colum D54 DC9190B	1 PC	
20	WJ517700	Teflon Tube DC9190B	1 PC	
21	WJ526000	Side Column Ass'y DC9190B	1 PC	
22	WJ547100	Pull Rod Upper DC9190B	1 PC	
23	WJ547200	Pull Rod Knob DC9190B	1 PC	
24	WJ547300	Pull Rod Spring DC9190B	1 PC	
25	WJ547400	Plain Washer6x13x1.0 MFZN2W3 DC9190B	1 PC	
26	WJ517900	Base Casting DC9190B	1 PC	
27	WJ518000	Wing Handle Assy DC9190B	1 PC	
28	WJ522800	PB Spring DC9190B	1 PC	
29	WJ523400	HEXAGONAL BOLT6x50 DC9190B	1 PC	
3	WJ575200	Sound Colum E56 DC9190B	1 PC	
30	WJ523100	Pedal Clamp DC9190B	1 PC	
31	WJ520000	Pedal Bracket DC9190B	1 PC	
32	WJ519900	PB Fixed Pin DC9190B	1 PC	
33	WJ519300	Pull Rod Lower DC9190B	1 PC	
34	WJ519100	Damper Pedal DC9190B	1 PC	
35	WJ523700	Pedal Shoulder Screw DC9190B	1 PC	
36	WJ518400	Caster with Brake DC9190B	1 PC	
37	WJ518600	Caster without Brake DC9190B	1 PC	
38	WJ523000	Base Bar Assy DC9190B	1 PC	
39	WJ518300	Wing Spring DC9190B	1 PC	
4	WJ575300	Sound Colum F57 DC9190B	1 PC	
40	WJ543700	Hanger Ass'y DC9190B	1 PC	
41	WJ525900	Star Nut MFZN2W3 DC9190B	1 PC	
42	WJ525800	HEXAGONAL NUT4 MFZN2W3 DC9190B	1 PC	
43	WJ523600	Pedal Pad DC9190B	1 PC	
44	WJ543500	Plane Washer 6x13x1.0 MFZN2W3 DC9190B	1 PC	
45	WJ523200	Spring Pin5x35 MFZN2W3 DC9190B	1 PC	

Model Name : DC9190B

Ref No.	Parts No.(ChangeNo.)	English Name	Minimum Delivery	Accept order or not
46	WJ523300	Mount Bracket Holing Screw6x6 DC9190B	1 PC	
47	WJ535400	Damper Board (Upper)Ass'y DC9190B	1 PC	
48	WJ542900	Truss Head Screw 5x32 MFNI33 DC9190B	1 PC	
49	WJ543400	Flat Washer DC9190B	1 PC	
5	WJ575500	Sound Column G59 DC-9190B	1 PC	
50	WJ542200	Cap Nut DC9190B	1 PC	
51	WJ542300	Hex Nut DC9190B	1 PC	
52	WJ541600	Damper Knob DC9190B	1 PC	
53	WJ529400	Damper Rock Pin DC9190B	1 PC	
54	WJ541500	Pull Rod Collar DC9190B	1 PC	
55	WJ541400	Axis Pin DC9190B	1 PC	
56	WJ535600	Damper Board (Middle)Ass'y DC9190B	1 PC	
57	WJ536200	Damper Cloth 1 DC9190B	1 PC	
58	WJ536300	Damper Cloth 2 DC9190B	1 PC	
59	WJ536400	Damper Cloth 3 DC9190B	1 PC	
6	WJ575700	Sound Colum A61 DC9190B	1 PC	
60	WJ529300	Guide Pin DC9190B	1 PC	
61	WJ543500	Plane Washer 6x13x1.0 MFZN2W3 DC9190B	1 PC	
62	WJ541200	Damper Spring DC9190B	1 PC	
63	WJ528600	ToggleLink Assy DC9190B	1 PC	
64	WJ529800	Pan Head Screw 5x16 MFNI33 DC9190B	1 PC	
65	V4508500	Spring Washer 5 MFNI33 DC9190B	1 PC	
66	WJ528500	Right Damper Holder DC9190B	1 PC	
67	W7145060	CLOTH WASHER CH-500 DC91xxB	1 PC	
68	WJ529600	Damper Spring Collar DC9190B	1 PC	
69	WJ529500	Damper PN LNK Spring DC9190B	1 PC	
7	WJ575900	Sound Colum B63 DC9190B	1 PC	
70	WJ535800	Damper Board (Lower)Ass'y DC9190B	1 PC	
71	WJ530300	Spring Guide Pin DC9190B	1 PC	
72	WJ530100	Left Damper Holder DC9190B	1 PC	
74	WJ541300	Damper Rod DC9190B	1 PC	
75	WJ536000	Damper Cloth DC9190B	1 PC	
76	WJ542100	Mount Bracket HoldingScrew3x5 MFNI33 DC9	1 PC	
77	W7140060	WASHER (2) CH-500 DC91xxB	1 PC	
78	WJ529700	Spring Straight Pin2x12 MFZN2W3 DC9190B	1 PC	
79	WJ536500	Stop Plate DC9190B	1 PC	
8	WJ576000	Sound Colum C64 DC9190B	1 PC	
80	WJ539600	Flat Head Screw2.5x10 MFZN2W3 DC9190B	1 PC	
81	V4508700	Spring Washer 5 MFNI33 DC9190B	1 PC	
82	WJ547500	SPLIT PIN 2X10	1 PC	

