

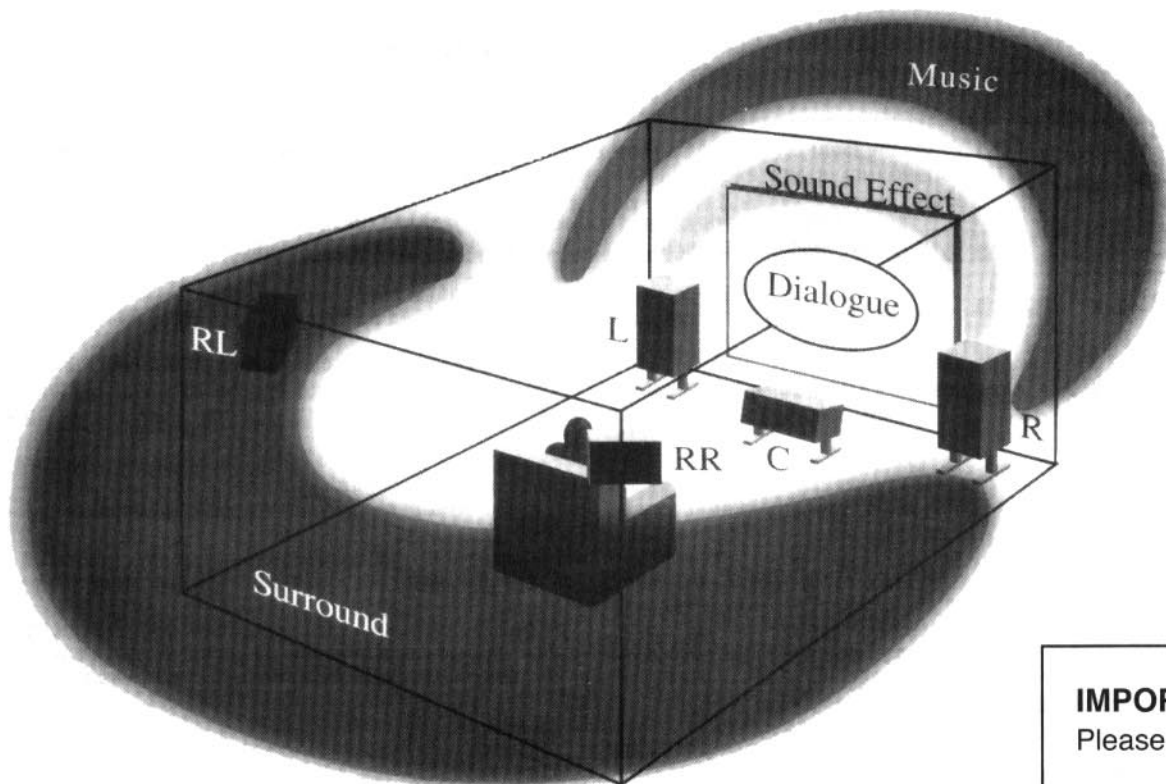


# YAMAHA

## Natural Sound Home Theater 4 Way Narrow Tower Speakers

NS-A1738 NS-A1638

Thank you for selecting a YAMAHA Speaker System.



### The Yamaha Commitment:

Audio and visual media, when skillfully integrated, have an enormous potential to excite us, to touch our innermost feelings, and to broadly stimulate our imaginations. Yamaha's unvarying commitment is to create Home Theater components that make the entertainment experience more dynamic and meaningful, to not only give you pleasure, but to expand and enrich your life.

Out of the hundreds of loudspeaker manufacturers, Yamaha is the only one that also makes musical instruments. Yamaha audio components and speakers can be found in the homes and recording studios of audiophiles and industry professionals alike. No other company is as intimately involved with the production and reproduction of fine music.

### Owner's Manual

#### CONTENTS

Cautions .....	2
Connections to Amplifier .....	2
Recommended Speaker Placement .....	3
Specifications .....	3
Warranty .....	4

### IMPORTANT:

Please record the serial numbers of your units in the space below.

Model:  
Serial No.

The serial number is located on the rear of the unit.  
Retain this Owner's Manual in a safe place for future reference.

## CAUTIONS: READ THIS BEFORE OPERATING YOUR UNIT

- Please read Unpacking Procedure first.
- These speakers feature a magnetically shielded design, but there is still a chance that placing them too close to a TV set might impair the picture colors. Should this happen, place the speaker away from the TV set.
- In order to maintain the speaker cabinet's finish, prevent it from coming into contact with water vapor, alcohol, benzene, insecticide, etc. To clean, wipe with a dry, soft cloth.
- To prevent the enclosure from warping or discoloring, do not place the speaker in places where it will be exposed to direct sunlight or excessive humidity.
- Do not place the speakers where they are liable to be knocked over or struck by falling objects. Stable placement will also ensure better sound performance. Please install stabilizer bars.
- Never touch the speakers under the grille cloth with your hands or expose them to excessive shocks. If they are dented or bent, the sound will be distorted as well.
- When an amplifier with a rated output power higher than the recommended power of the speaker system is used, care should be taken never to exceed the speaker's maximum input.
- Lower the power amplifier/receiver volume control before changing input sources. Never change input sources (for example, FM to CD) at high listening levels. Always turn the receiver/amplifier unit off when installing or removing input cables.
- Anytime you note distortion, reduce the volume control on your power amplifier/receiver to a lower setting. Never allow your power amplifier to be driven into "clipping."
- Connections to the amplifier speaker terminals depend on the particular amplifier you are using. Please check the amplifier's owner's manual before making speaker connections.
- Before making any connections to the speaker system or amplifier, make sure to turn off the power of the amplifier to avoid any damage.

## TYPE OF AMPLIFIER / RECEIVER

These Natural Sound Home Theater Entertainment Speakers are designed to compliment any of Yamaha's receivers or amplifiers.

To assure low distortion on program peaks, the amplifier or receiver should be capable of delivering at least 10 watts (continuous sine-wave power) per channel. These speakers can be used safely with amplifiers rated at up to the maximum wattage shown in the specifications table.

Amplifiers rated at higher than the recommended maximum power per channel may be used with care. Program material is not a continuous sine-wave input, and even with a 100 watt amplifier, average levels will remain somewhere between 1/10-watt and 10 watts. If you do use a large amplifier, be careful never to change input sources before reducing the volume level to prevent transients from damaging your speaker.

## CONNECTIONS TO THE AMPLIFIER

- Before making connections, make sure that the receiver/amplifier is switched off.

### ■ CONNECTIONS FOR SINGLE PAIR OF SPEAKER CABLES (WIRES)

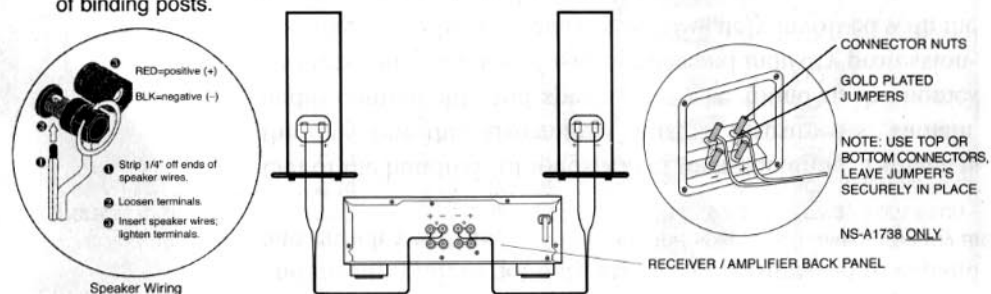
Note: 10 feet of speaker cable is supplied for each speaker. However, for longer cable needs (up to 20 feet), it is recommended to use a minimum of 14 gauge high quality speaker cable/wire. Please consult your retailer for your particular installation requirements.

- Using speaker cable, connect the output terminals of the receiver/amplifier and the input terminal of the speakers.
- Connect the (+) terminals on both receiver/amplifier and speaker. Connect the (-) terminals on both receiver/amplifier and speaker.
- Reversing polarity (+/-) will result in unnatural sound reproduction.

### ■ PROCEDURE

1. Loosen the speaker terminals by turning the knobs counterclockwise.
2. Insert the lead portions of the speaker cable into the terminal holes.
3. Tighten the speaker terminals by turning the knobs clockwise.
4. Lightly pull the speaker cable to make sure connections are secure.
5. Repeat for all cables. (Note: For receiver/amplifier connections, please refer to the proper owners' manuals.)

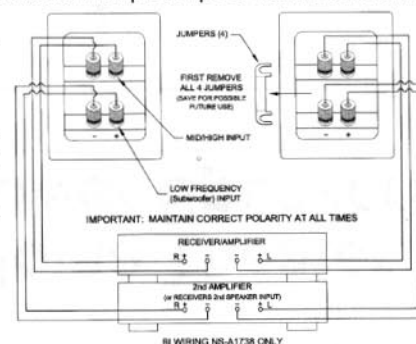
Note: Keep the NS-A1738 gold plated jumpers in place and make the connections on either the top or bottom pair of connectors. Be sure the jumpers remain securely connected between the two pair of binding posts.



### ■ CONNECTIONS FOR BI-WIRING (NS-A1738 ONLY!)

The NS-A1738 is designed to work with a single set of speaker cables, however some may prefer to bi-wire their speaker system.

The concept of bi-wiring is that higher sonic performance is achieved by utilizing two sets of wires to connect the mid/hi frequency input (top connectors) and the other to the low frequency input (bottom connectors). Bi amplification is the use of multiple amps to handle different frequency ranges. To bi-amp the NS-A1738, first remove the gold jumpers by loosening the connector nuts on the back of the speaker. Next, connect the speaker cables. Make sure that both the red (+) mid/hi input and red (+) low frequency (subwoofer) input of the left speaker are connected to the red (+) terminal of the left channel of your receiver and amplifier (or receives 2nd speaker input). Repeat procedure for the right channel. (See diagram on right)



**SPECIFICATIONS: NATURAL SOUND HOME THEATER ENTERTAINMENT SPEAKERS**

Model	NS-A1738	NS-A1638
Type	4 Way Bass Reflex, Narrow Tower Speaker	4 Way Bass Reflex, Narrow Tower Speaker
Woofers	15" Side Firing Long Throw, Polymer Coated	12" Side Firing Long Throw, Polymer Coated
Mid-Range	6 1/2" x 2 Glass Filled High Compliance Cloth With Inverted Dust Covers.	5 1/4" x 2 Glass Filled High Compliance Cloth With Inverted Dust Covers.
Tweeter	1" Glass Filled Cloth Dome	1" Glass Filled Cloth Dome
Frequency Response	30 Hz - 20KHz (±3dB)	35 Hz - 20KHz (±3dB)
Crossover Frequency	850Hz, 4KHz, 7KHz (12db/octave)	1.5Hz, 5KHz, 7KHz (12db/octave)
Recommended Amplifier Power	Minimum, 10 Watts Maximum, 240 Watts	Minimum, 10 Watts Maximum, 200 Watts
Sensitivity	89 dB/W/M	88 dB/W/M
Nominal Impedance	6 Ohms	6 Ohms
Key Features	<ul style="list-style-type: none"> <li>• High Power Handling</li> <li>• Magnetically Shielded</li> <li>• Multi Chambered, Internally Braced Cabinet</li> <li>• Slim Design</li> <li>• Gold Plated 5-Way Binding Posts and Jumpers</li> <li>• Bi-Amp Capable</li> </ul>	<ul style="list-style-type: none"> <li>• High Power Handling</li> <li>• Magnetically Shielded</li> <li>• Multi Chambered, Internally Braced Cabinet</li> <li>• Slim Design</li> <li>• Gold Plated 5-Way Binding Posts and Jumpers</li> <li>• Bi-Amp Capable</li> </ul>
Net Weight	56 lbs. 8oz	46 lbs. 8 oz
Accessories	10 Feet x 2 Speaker Cable	10 Feet x 2 Speaker Cable

Specifications subject to change without notice due to product improvements.

**RECOMMENDED SPEAKER PLACEMENT**

Please remember that although these recommendations generally apply, all rooms and listening environments are somewhat unique, so some experimentation with the speakers might be necessary.

Remember, what sounds best to you is correct.

1. Select a couple of your favorite recordings to use while you optimize the speaker placement. Each time you move the speakers to a new position, note the changes you are hearing and write down the position of each speaker. The speakers are labeled on the back panel left & right. This placement will have the subwoofer drivers facing outward, away from each other.

The speakers should be placed a minimum of 5' - 6' feet to a maximum of 10' - 12' feet apart. Keep the speakers away from the side walls and corners if possible.

2. These speakers can be placed very close to the rear wall. (3" to 6"+). This placement allows the optimum loading of the subwoofer driver for proper bass performance. However, if the bass is too heavy for your room, move the speaker an inch or two farther out from the rear wall. Note the sound difference in the new position and experiment.

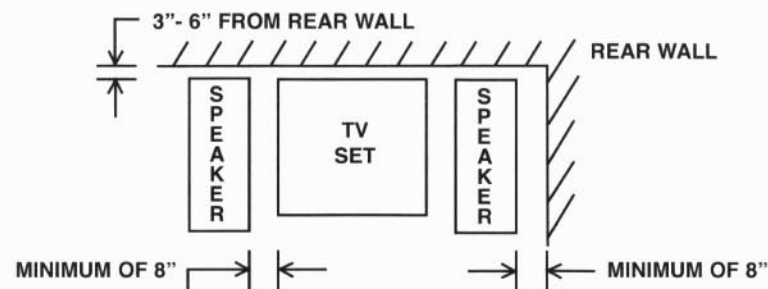
3. Using a measuring tape, measure the distance between the speakers. Make sure they are parallel to one another. Now move the speakers about 1" either toward or away from each other. Play the same selected recordings and note any differences in the sound stage, depth and imaging. Evaluate whether the overall performance is better to you. Continue to move the speakers, evaluating them each time they are moved. Continue this process until you have determined the best balance of sound stage, depth and imaging.

(optional set-up)

4. It is possible to position the speakers with the subwoofers facing inward. Facing the subwoofers inward will vary the sound somewhat and which position is best will vary with your room. Inward facing subwoofers will need experimentation to determine the best position for the speakers. Again follow steps 1-3 with special attention to step 3 with regard to bass performance as well as sound stage, depth and imaging.

5. The speakers should not be placed within 8" on either side of side walls, TV's or any other solid structures.

These speakers feature a magnetically shielded design, but there is still a chance that placing them too close to a TV set might cause interference or distortion of the TV picture. Should this happen, place the speaker farther away from the TV set.



YAMAHA products are designed and manufactured to provide a high level of trouble-free performance. YAMAHA Electronics Corporation, USA, is proud of the experienced craftsmanship that goes into each and every YAMAHA product. YAMAHA sells its products through a network of high quality, specially authorized dealers and is pleased to offer the following Limited Warranty, which applies only to products purchased from our authorized dealers. YAMAHA products are backed by a nationwide network of high quality YAMAHA authorized Service Centers, providing prompt, courteous, and professional service. We suggest that you read the Limited Warranty thoroughly, and invite you to contact your authorized YAMAHA dealer or the YAMAHA Electronics Corporation, USA, Service Department if you have any questions.



## LIMITED WARRANTY

### NATURAL SOUND HOME THEATER ENTERTAINMENT SPEAKER SYSTEMS

#### Duration of Warranty:

Beginning from the date of first consumer purchase, these Natural Sound Home Theater Entertainment Speaker Systems are covered by this warranty for the period of (2) years.

#### What is Covered and What is Not Covered?

This warranty covers all defects in materials or workmanship in this product, but DOES NOT COVER the following:

- (1) Damage, deterioration or malfunction resulting from:
  - a. Accident, negligence, misuse, abuse, improper installation or operation or failure to follow instructions contained in your Owner's manual.
  - b. Any shipment of the product. (Claims must be presented to the carrier).
  - c. Repair or attempted repair by anyone other than Yamaha or an authorized *Preferred Customer* Service Center.
- (2) Any unit which has been altered or on which the serial number has been defaced, modified or removed.
- (3) Normal wear and any periodic maintenance.
- (4) Any unit which has not been purchased from an authorized YAMAHA dealer in the U.S.A. If you are uncertain as to whether a dealer has been authorized by YAMAHA, please contact YAMAHA's Service Department.
- (5) Any unit used for industrial or commercial purposes.

#### Who may enforce the warranty:

This warranty is enforceable only by the original purchaser.

#### What we will pay for and what you must pay for:

YAMAHA will repair or replace units covered by this warranty, without charge to the consumer for labor or materials. YOU ARE RESPONSIBLE FOR ANY INSTALLATION OR REMOVAL CHARGES AND FOR ANY INITIAL SHIPPING CHARGES, if the components must be shipped for warranty service. However, we will pay the return shipping charges to any destination within the U.S.A. if the repairs are covered by the warranty.

#### How you can get Warranty Service:

- (1) If your Loudspeaker requires service, return it to an authorized Yamaha *Preferred Customer* Service Center. If this is not practical, contact the Yamaha Electronics Service Department at the address shown below.
- (2) Loudspeakers shipped for service should be packed securely and must be accompanied by a detailed explanation of the problem(s) requiring service, as well as your sales receipt, as proof of warranty coverage.
- (3) Warranty registration is not required for warranty coverage.

#### Limitation of Implied Warranties:

ANY IMPLIED WARRANTIES, INCLUDING WARRANTIES OF MERCHANTABILITY AND FITNESS FOR A PARTICULAR PURPOSE, ARE LIMITED IN DURATION TO THE LENGTH OF THIS WARRANTY.

#### Exclusion of Damages

YAMAHA'S LIABILITY, FOR ANY DEFECTIVE PRODUCT IS LIMITED TO REPAIR OR REPLACEMENT OF THE PRODUCT, AT OUR OPTION. YAMAHA SHALL NOT BE LIABLE FOR INCIDENTAL OR CONSEQUENTIAL DAMAGE OR DAMAGES OF ANY OTHER KIND OR CHARACTER BECAUSE OF PRODUCT DEFECTS.

SOME STATES DO NOT ALLOW LIMITATIONS ON HOW LONG AN IMPLIED WARRANTY LASTS AND/OR DO NOT ALLOW THE EXCLUSION OR LIMITATION OF INCIDENTAL OR CONSEQUENTIAL DAMAGES, SO THE ABOVE LIMITATIONS AND EXCLUSIONS MAY NOT APPLY TO YOU.

THIS WARRANTY GIVES YOU SPECIFIC LEGAL RIGHTS, AND YOU MAY ALSO HAVE OTHER RIGHTS WHICH VARY FROM STATE TO STATE.

For the nearest authorized **YAMAHA Preferred Customer** Service Center please call:  
1-800-4YAMAHA

Should you have any questions about service received or if you need assistance in locating an authorized Yamaha Dealer, please contact:



SERVICE DEPARTMENT

**YAMAHA ELECTRONICS CORPORATION, USA**

6660 ORANGECROFT AVENUE, BUENA PARK, CALIFORNIA 90620 • MAIL ADDRESS: P.O. BOX 6660, BUENA PARK, CALIFORNIA 90622 • PHONE: (714) 522-9105  
WWW.YAMAHA.COM

YAMAHA products are backed by a nationwide network of high quality YAMAHA authorized Service Centers, providing prompt, courteous and professional service.



# YAMAHA

## **IMPORTANT! PLEASE READ THIS UNPACKING PROCEDURE FIRST!**

**Model: NS-A1638 and NS-A1738**

### **Unpacking Procedure**

Please read these unpacking procedures in order to safely unpack your NS-A1738 or NS-A1638 speaker system.

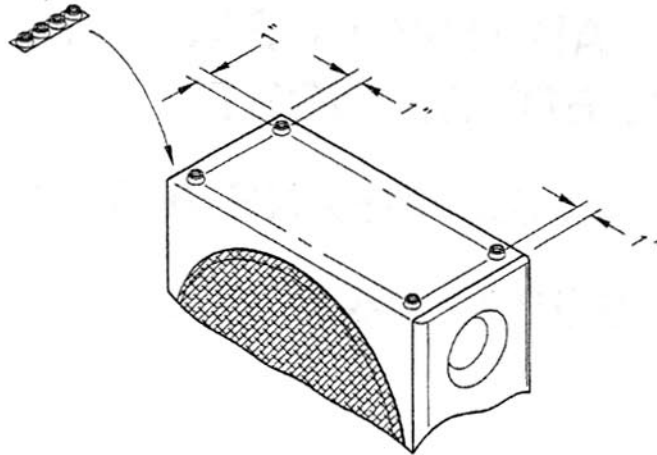
Items you will need before unpacking your speakers:

**A SECOND PERSON** to help unpack and position your speakers.  
A Phillips (+) type head screwdriver.

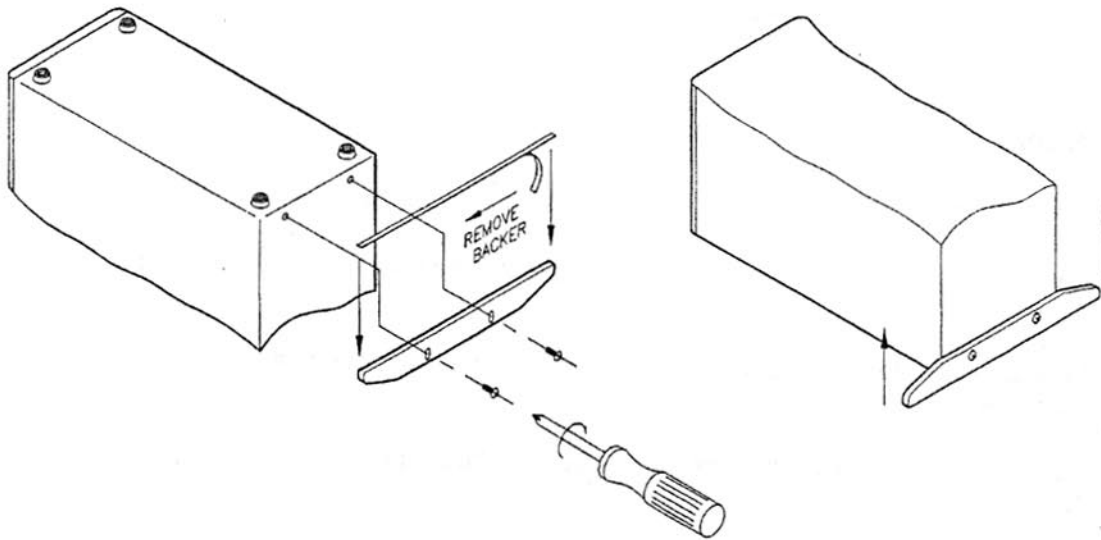
Unpacking the speakers:

1. Place the speaker box in the upright position with the "This Side Up Only" arrows facing upward.
2. Warning: The speaker box is heavy and can cause injury and or damage if dropped. Hence the reason for the second person.
3. Remove the 4 protective foam corners, the owner's manual, 8 pieces of rubber feet, 2 stabilizer bars and 4 screws.
4. Now with your helper, carefully lay the box on its side while holding the carton flaps against the outside of the carton.
5. With great care, lift the bottom portion of the carton up until the opened end is sitting on the floor and the bottom end is facing up.
6. With one person on opposite sides of the box, slowly lift the outer carton up and over and off the speakers, **\*\*being careful not to tip the speakers over.\*\***

7. Remove the last 4 protective foam corners. Be careful, the speakers may be unstable in this position. Please have your helper hold the speakers at all times.
8. Slide the plastic bag down, exposing the bottoms of the speakers.
9. Now install the rubber feet as shown below.



10. Next install the stabilizer bar as shown below. (It may be necessary to readjust the stabilizer bars when the speakers are in the final room position.)

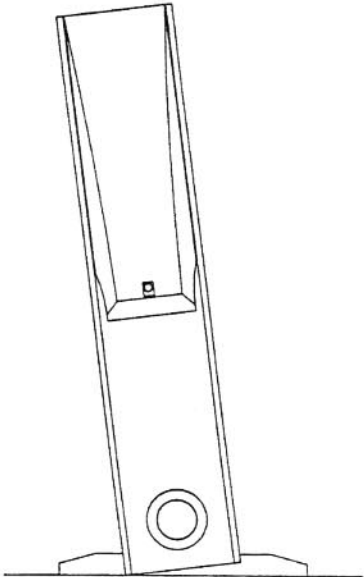


11. With your helper, carefully rotate the speaker upright. Be careful not to drop the speaker or hit the edges.
12. When moving the speakers, please lift speakers into position and do not lift speaker by the stabilizer bar. Please refer to the owner's manual for hook-up and placement instructions.

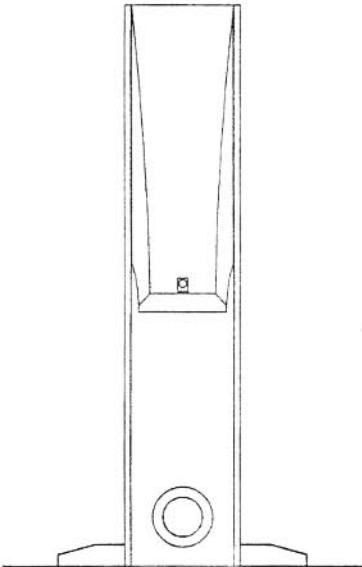
**Questions? Please call YEC Customer Service Department at (800)292-2982  
From 8am to 4pm Pacific Time**

13. When the speaker is in the final room position, you may need to loosen the stabilizer bar screws for final adjustment. The speaker should be level. Remember to securely refasten the stabilizer bar to the speaker.

INCORRECT

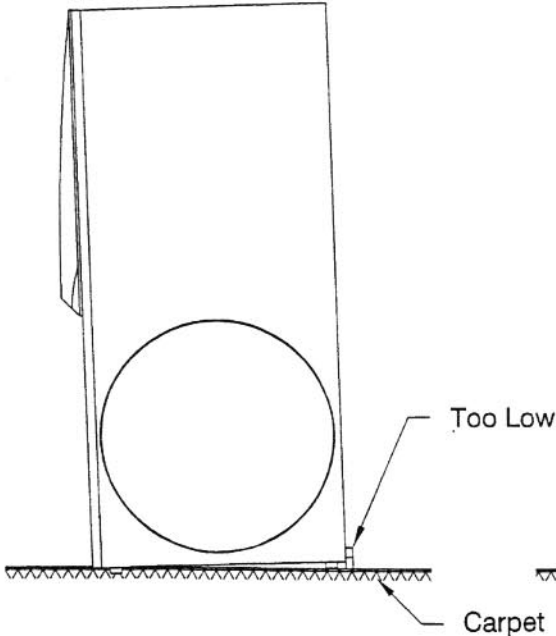


CORRECT



Note: When placement is on carpet, stabilizer bar should be placed on top of and even with the carpet.

INCORRECT



CORRECT

