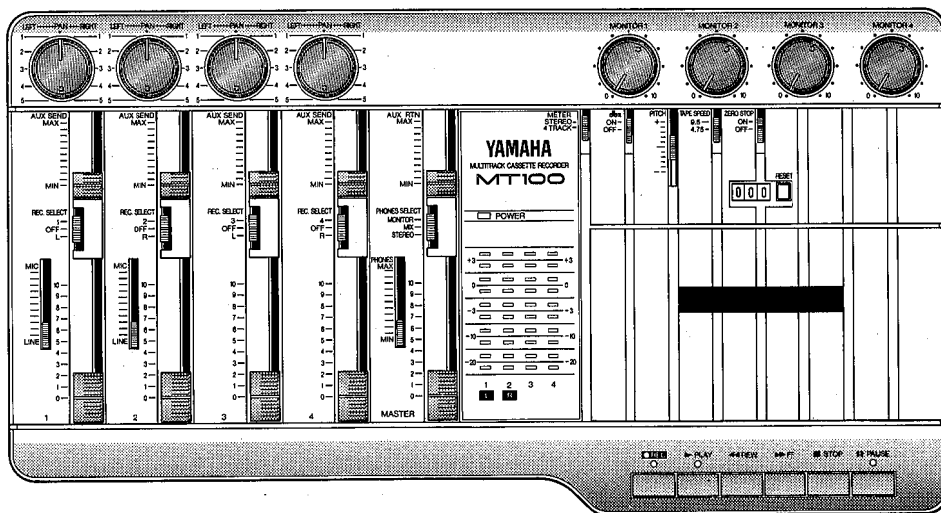


YAMAHA

MULTITRACK CASSETTE RECORDER
ENREGISTREUR DE CASSETTES MULTIPISTE
MEHRSPUR-KASSETTENDECK

MT100

OPERATION MANUAL
MANUEL D'INSTRUCTIONS
BEDIENUNGSANLEITUNG



CONGRATULATIONS!

Your MT100 Multitrack Cassette Recorder is a fine creative tool that will enable you to work with sound in many ways. No other multitrack cassette recorder offers the straightforward simplicity and ease-of-use of the MT100. Whether you need to record acoustic instruments or voice using microphones, electronic instruments and sources via direct line, or a creative blend of the two, the MT100 makes the process of building up your own sound extraordinarily smooth and simple. You can simply record and remix four tracks, or use the multitrack "ping-pong" recording technique to individually record up to ten independent parts — adding sound layer by layer until you create exactly the arrangement and texture your imagination demands. The MT100 is just as easy to use alone or with a band. And, because it's a YAMAHA, you know that the MT100 will give you the very finest sound quality and overall performance available.

In order to make use of the MT100's many features and obtain maximum performance, we urge you to read this operation manual thoroughly — and keep it in a safe place for later reference.

CONTENTS

PRECAUTIONS	1
THE CONTROLS AND CONNECTORS	2
CONNECTION EXAMPLES	7
ABOUT CASSETTE TAPES	8
THE RECORDING PROCESS	9
RECORDING THE FIRST TRACK	10
STEP 1: CHANNEL-TO-TRACK ASSIGNMENT	10
STEP 2: MONITOR SETUP	11
STEP 3: SETTING RECORDING LEVELS	12
STEP 4: RECORD	12
OVERDUBBING	13
PING-PONG RECORDING	14
A PING-PONG RECORDING EXAMPLE	14
MIXDOWN	15
USING THE AUX SEND/RTN LOOP	16
PUNCH-IN/OUT RECORDING	17
MAINTENANCE	18
BLOCK DIAGRAM	19
SPECIFICATIONS	20

PRECAUTIONS

1. AVOID EXCESSIVE HEAT, HUMIDITY, DUST AND VIBRATION

Keep the unit away from locations where it is likely to be exposed to high temperatures or humidity — such as near radiators, stoves, etc. Also avoid locations which are subject to excessive dust accumulation or vibration which could cause mechanical damage.

2. AVOID PHYSICAL SHOCKS

Strong physical shocks to the unit can cause damage. Handle it with care.

3. DO NOT OPEN THE CASE OR ATTEMPT REPAIRS OR MODIFICATIONS YOURSELF

This product contains no user-serviceable parts. Refer all maintenance to qualified YAMAHA service personnel. Opening the case and/or tampering with the internal circuitry will void the warranty.

4. MAKE SURE POWER IS OFF BEFORE MAKING OR REMOVING CONNECTIONS

Always turn the power OFF prior to connecting or disconnecting cables. This is important to prevent damage to the unit itself as well as other connected equipment.

5. HANDLE CABLES CAREFULLY

Always plug and unplug cables — including the AC cord — by gripping the connector, not the cord.

6. CLEAN WITH A SOFT DRY CLOTH

Never use solvents such as benzine or thinner to clean the unit. Wipe clean with a soft, dry cloth.

7. ALWAYS USE THE CORRECT POWER SUPPLY

The MT100 should **only** be powered using the supplied YAMAHA PA-100 AC Adapter. The use of other adapters can cause serious damage to the MT100.

8. KEEP THE HEADS AND TAPE PATH CLEAN

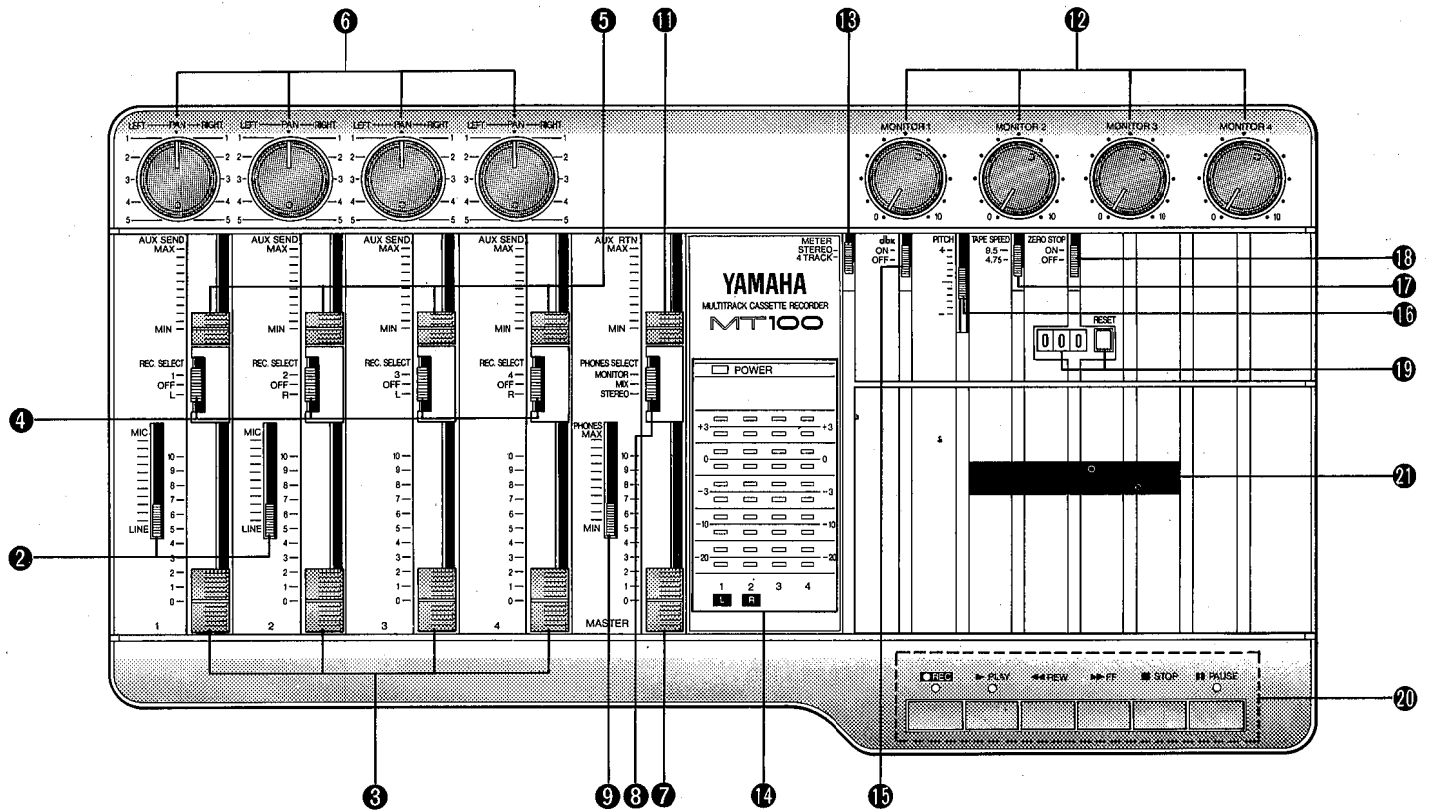
To ensure consistent high performance and sound quality from your MT100, it is important to clean the head and tape path regularly (ideally before each recording session). To do this, use a cleaning kit specifically designed for use with cassette tape equipment.

9. USE ONLY HIGH-QUALITY CHROME CASSETTE TAPE

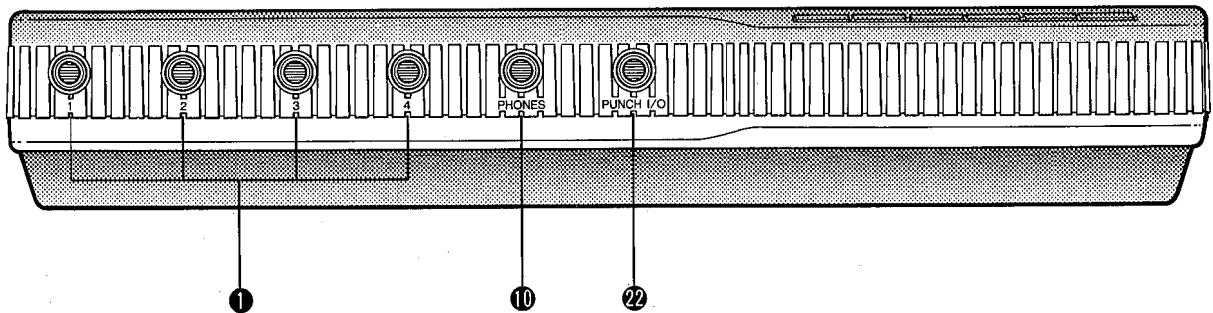
The MT100 is designed for use with CrO₂ (chrome) formulation tape, and will not provide proper performance with any other type of tape. Always choose cassette tapes from a reliable manufacturer.

THE CONTROLS AND CONNECTORS

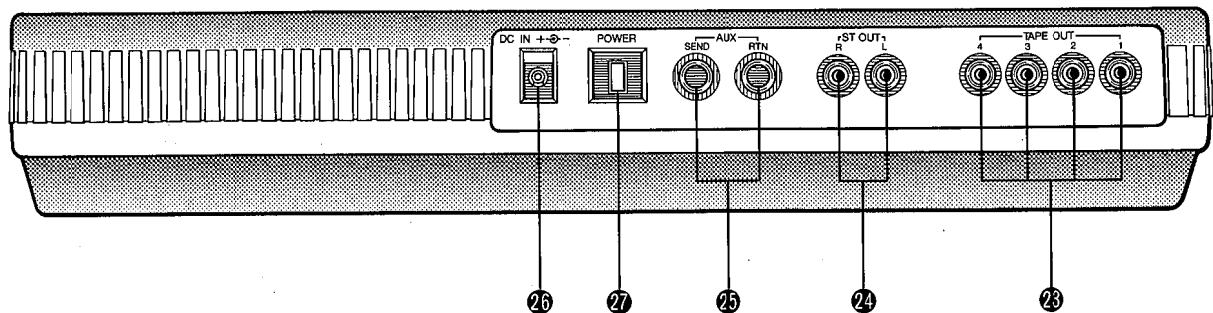
— CONTROL PANEL —



— FRONT PANEL —



— REAR PANEL —



— CHANNELS AND TRACKS —

The terms "channel" and "track" are used in this operation manual to differentiate between the MT100 mixer section's four "channels" and the recorder section's four "tracks." "Track" is also used when referring to the four "tracks" actually recorded on the tape.

① **Input Jacks 1 — 4**

These four input jacks accept signals from any line-level source such as an electronic musical instrument or a tape player.

Inputs 1 and 2 also accept signals from electric musical instruments such as electric guitars and basses, or microphones.

Inputs 1 through 4 are standard monaural 1/4" phone jacks.

When a source is plugged into one of these jacks, its signal is sent to the corresponding channel of the MT100's mixer.

Note: When no source is plugged into an input jack, the output from the corresponding track of the MT100's recorder is automatically routed to that channel of the mixer.

② **MIC/LINE Gain Controls (Channels 1 and 2 only)**

The gain controls adjust the sensitivity of the channel-1 and channel-2 inputs to accept a wide range of signal levels — from line to microphone. The gain controls are used in conjunction with the channel-1 and channel-2 faders to set the optimum recording level with a wide range of sources (see "SETTING RECORDING LEVELS" on page 12).

③ **Channel Faders**

The channel faders are used to adjust the level (volume) of the corresponding mixer channel's signal, whether it comes from a source plugged into an input jack or from the MT100's recorder section. The faders are used to set up the optimum levels when recording, and to balance (mix) the sound from the recorder's tracks when playing back a recording.

④ **REC SELECT Switches**

The REC SELECT switches are used when recording to assign (send) the signal from each mixer channel either directly to the corresponding track of the recorder or to a different track via the PAN controls (see "CHANNEL-TO-TRACK ASSIGNMENT" on page 10).

Note: When any of the REC SELECT switches are set to a position other than OFF, the red indicator LED above the transport REC button will flash, indicating that the MT100 is set up to record.

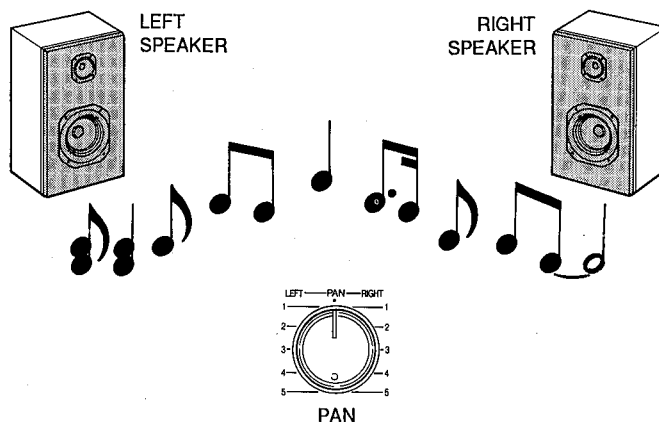
⑤ **AUX SEND Controls**

The AUX SEND controls are used primarily when adding effects such as reverberation or echo to the sound of each channel or track. The AUX SEND control on each mixer channel determines the amount of signal from that channel sent to the AUX SEND jack. The AUX SEND jack must be connected to the input of an external signal processor such as the YAMAHA R100 Reverb Processor (see "USING THE AUX SEND/RTN LOOP" on page 16).

⑥ **PAN Controls**

The PAN controls assign the signal from the corresponding mixer channel to any desired position in the "stereo sound field." If a PAN control is set to the maximum "LEFT" position, the signal from that channel will appear only at the left-channel MT100 output (ST OUT L). If the PAN control is set fully RIGHT, the signal will appear only at the ST OUT R output jack. If a PAN control is set to its center position, then the signal from that channel will appear equally at both the left- and right-channel outputs, and the sound will appear at the center of the stereo sound field (at a point midway between the two stereo speakers). Other PAN control settings place the sound at positions roughly corresponding to the PAN control setting by varying the level of the signal sent to the left- and right-channel outputs.

The PAN controls can also be used during recording to assign the signal from several channels to a single track of the recorder section, or to assign a channel to a differently-numbered recorder track (see "CHANNEL-TO-TRACK ASSIGNMENT" on page 10).



7 MASTER Fader

The MASTER fader sets the overall output level of the MT100 mixer section, and thus the level of the output signal appearing at the ST OUT jacks. The MASTER fader also affects recording level when any of the mixer section's channels are assigned to the recorder's tracks via the PAN controls (see "SETTING RECORDING LEVELS" on page 12).

8 PHONES SELECT Switch

The MT100 permits convenient headphone monitoring via a pair of headphones plugged into the PHONES jack. The PHONES SELECT switch determines which signals are sent to the PHONES jack for monitoring.

MONITOR: In this position only the output from the recorder's four tracks is sent directly to the PHONES jack via the four MONITOR controls.

MIX: Both the output from the recorder's four tracks (via the MONITOR controls) and the stereo output from the mixer section are sent to the PHONES jack.

STEREO: Only the stereo output from the mixer section is sent to the PHONES jack.

9 PHONES Control

The PHONES control independently adjusts the level of the headphone signal, making it simple to set the most comfortable monitoring level.

10 PHONES Jack

Any pair of stereo monitor headphones with an impedance of between approximately 8 and 40 ohms can be plugged into this jack. Headphone monitoring is the most convenient way to listen to the MT100's various signals, and we recommend that you obtain a pair of high-quality monitoring headphones for this purpose. The YAMAHA MH100 are ideal.

11 AUX RTN Control

The AUX RTN control determines the level at which the signal from an external signal processor fed by the AUX SEND jack is returned and mixed in with the MT100's main stereo output signal. The output from an external signal processor fed by the AUX SEND jack must be connected to the AUX RTN jack (see "USING THE AUX SEND/RTN LOOP" on page 16).

12 MONITOR Controls

The four MONITOR controls determine the level of the signal from the corresponding recorder tracks which is sent to the PHONES jack when the PHONES SELECT switch is set to either "MONITOR" or "MIX." The MONITOR controls are primarily used to set up the optimum levels for monitoring recorded tracks while recording new material (overdubbing).

13 METER Switch

The METER switch determines whether the four LED peak meters display levels from the corresponding recorder tracks when set to "4 TRACK," or meters 1 and 2 display the level of signals appearing at the mixer section's stereo outputs (the ST OUT jacks) when the METER switch is set to "STEREO."

14 LED Peak Meters

The four LED peak meters accurately display output levels from the MT100's four recorder tracks when the METER switch is set to "4 TRACK," of the first two meters (numbered 1 and 2) display levels appearing at the mixer section's stereo outputs (the ST OUT jacks) when the METER switch is set to "STEREO."

The LED peak meters are important for setting up the optimum recording levels when recording new material (see "SETTING RECORDING LEVELS" on page 12).

15 dbx ON/OFF Switch

The dbx switch determines whether the MT100's internal dbx noise reduction system is ON or OFF. For normal recording and playback using the MT100, the dbx switch should be turned ON. This provides a significantly improved signal-to-noise ratio (as much as 85 dB) so your recordings will sound cleaner and have much less tape hiss.

For dbx noise reduction to be effective, it must be turned ON both during recording and playback.

The dbx switch may be turned OFF when playing back tapes that were recorded on other equipment and which are not dbx-encoded.

16 PITCH Control

The PITCH control varies tape speed by $\pm 10\%$, making it possible to "tune" material recorded on the MT100 to match the pitch of musical instruments, or to slightly lengthen or shorten the running time of a recording to meet specific timing requirements. Tape speed is normal when the PITCH control is set to its center click-stop position. Tape speed is increased by sliding the control towards the "+" end of the scale, and decreased by sliding the control towards the "-" end of the scale.

17 **TAPE SPEED Switch**

The TAPE SPEED switch selects either the standard 4.75-cm/sec cassette tape speed, or the MT100's special 9.5-cm/sec high tape speed. Use the standard (4.75) speed when replaying tapes recorded on standard cassette recorders, or to obtain maximum tape economy. When you want maximum sound quality, use the high (9.5) tape speed. The improvement in sound quality provided by the high tape speed is significant, and we recommend that you use the high speed for all important recordings.

18 **ZERO STOP Switch**

The ZERO STOP switch provides a fast, easy way to locate a specific location on the tape. This is particularly handy in multitrack recording, since it is necessary to repeatedly rewind the tape to the same point to record overdubs (i.e. record a new track while monitoring previously recorded tracks). To use the ZERO STOP function, set the tape counter (below) to "000" at the point you wish to locate by pressing the RESET button. Then, with the ZERO STOP switch set to ON, the tape will automatically stop from the rewind or fast forward modes when the counter "000" position is reached.

19 **Tape Counter and RESET Button**

This three-digit tape counter provides a handy index to tape position. It's a good idea to write down the counter readings for important points of a recording, so you can locate them easily afterwards. The RESET button resets the counter to "000" at the current tape position.

20 **Transport Controls**

These light-touch electronic transport controls provide smooth, sure control of all tape transport functions.

PLAY: Starts the transport running in the PLAY mode. The green PLAY indicator LED lights during playback.

RECORD: Press the REC button to enter the "REC/PAUSE" mode. If all the REC SELECT switches are turned OFF, the red REC indicator LED will flash and the orange PAUSE indicator LED will light. If any of the REC SELECT switches are set to a position other than OFF, both the red REC and orange PAUSE LEDs will light continuously. In this mode the transport is not yet running and recording has not begun. From the REC/PAUSE mode, press the PLAY button to actually start the transport running in the RECORD mode (if any of the REC SELECT switches are set to a position other than OFF), or the RECORD-READY mode (if all the REC SELECT switches are set to OFF). The red REC and green PLAY indicator LEDs both light during recording. The red REC will continue to flash and recording will not occur if none of the REC SELECT switches are set to a recording position.

Note: Only tracks for which the REC SELECT switch is set to a recording position will be recorded when the RECORD mode is activated.

Note: The RECORD mode **cannot** be activated if a cassette is loaded from which the record-prevention tab has been removed.

PAUSE: Temporarily stops playback or recording. The orange PAUSE indicator LED will light when the PAUSE mode is active. Press the PLAY button to disengage the PAUSE mode and continue playback or recording.

REWIND (REW) & FAST FORWARD (FF): These buttons cause fast winding of the tape in the specified direction.

STOP: Immediately stops the transport from any of its operational modes.

21 **Cassette Compartment**

Your cassette tape is loaded here. Use **only** high-quality chrome (CrO₂) formula cassette tape. Other types of tape will not provide correct frequency characteristics and minimum noise with the MT100.

First flip up the cassette compartment lid (a lifter tab is provided at the right side of the cover), then insert the tape with the open end of the cassette (the end at which you can see the tape) facing the transport controls. Press the back (closed) edge of the cassette down under the central retaining finger at the rear of the cassette compartment, then press the front (open) end down into the mechanism — GENTLY! Close the compartment lid when ready.

Note: Since the MT100 uses the entire width of the cassette tape to record four tracks, the cassette can only be recorded on one side. If you attempt to flip the cassette and record on the second side, you will erase any previously recorded material.

22 **PUNCH I/O Footswitch Jack**

An optional YAMAHA FS-1 Footswitch can be connected to this jack to permit foot-controlled punch-in and punch-out recording (see "PUNCH-IN/OUT RECORDING" on page 17).

23 **TAPE OUT Jacks**

The four TAPE OUT jacks are direct outputs from the corresponding tracks of the MT100 recorder. These jacks make it possible to feed the output from the four recorder tracks to an external mixing console. The TAPE OUT jacks can also be used to feed each of the recorder's tracks to external signal processors, the output of which can then be returned to the MT100's mixer inputs.

The TAPE OUT jacks are RCA pin types with a nominal output level of -10 dB into a load of greater than 50 k-ohms.

24 **ST OUT R and L Jacks**

These are the main outputs from the MT100, delivering the stereo output signal from the MT100 mixer section. The ST OUT jacks can be connected to a stereo sound system for monitoring and listening, or to a second cassette recorder when recording a stereo "mix" of a multitrack MT100 master tape. The ST OUT R and L jacks are RCA pin jacks with a nominal output level of -10 dB when feeding a load of greater than 50 k-ohms.

25 **AUX SEND & RTN Jacks**

The AUX SEND and RTN jacks make it simple to use an external signal processor (such as the YAMAHA R100 Reverb Processor) to add effects to MT100 signals. The AUX SEND jack should be connected to the input of your signal processor, and the output from your signal processor should be connected to the AUX RTN jack (see "USING THE AUX SEND/RTN LOOP" on page 16).

26 **DC IN Jack**

The DC output cord from the YAMAHA PA-100 AC Adaptor supplied with the MT100 should be plugged in here. The AC Adaptor should be plugged into a convenient AC wall outlet.

Caution: Use **only** a YAMAHA PA-100 AC Power Adaptor to power your MT100. Other AC adaptors can cause faulty operation, and may even permanently damage your MT100.

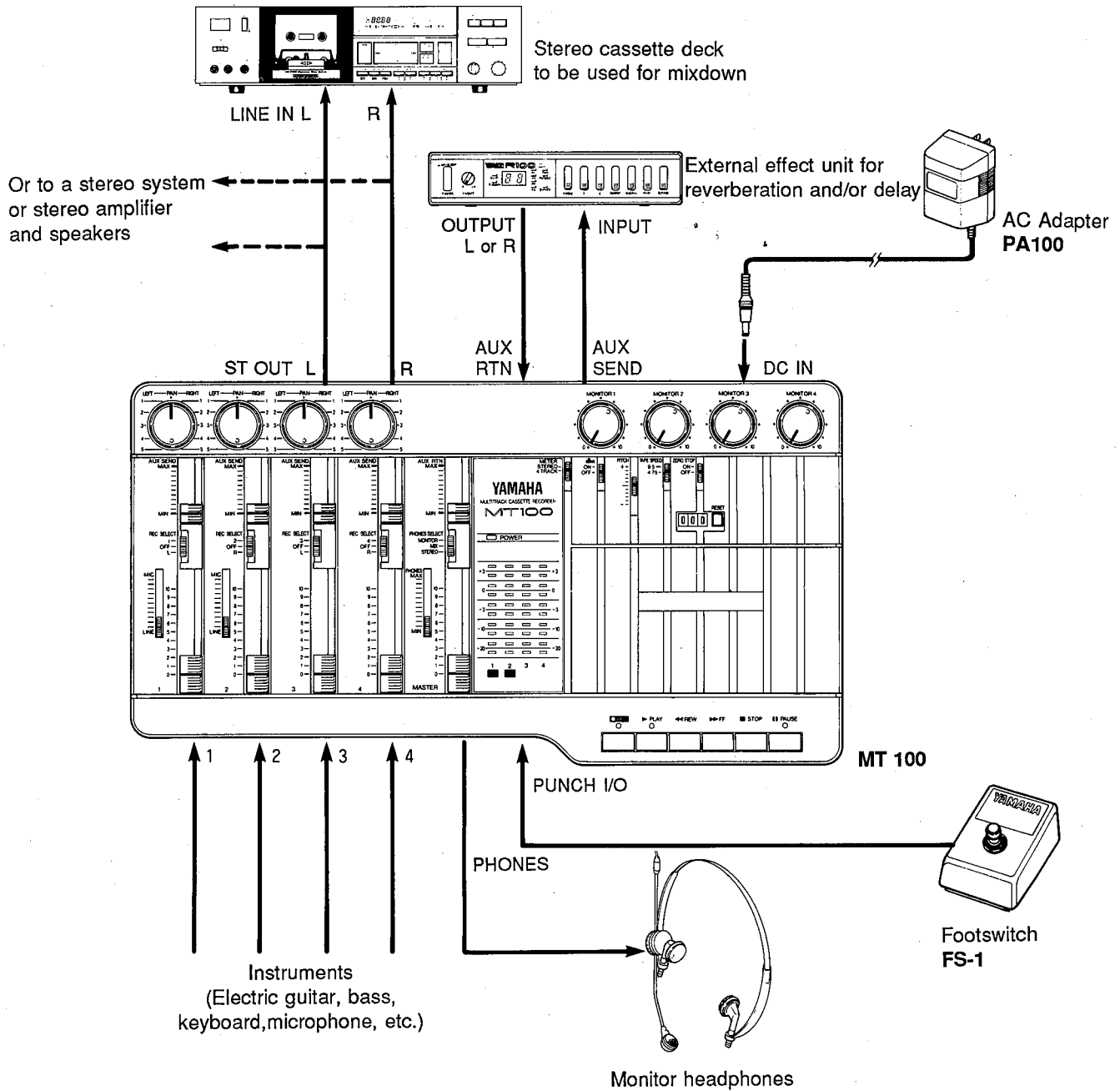
27 **POWER Switch**

Press the POWER switch once to turn power ON, a second time to turn power OFF. When the power is ON, the POWER LED above the LED peak meters on the MT100 top panel will light.

Note: If you are familiar with block diagrams of electronic equipment, refer to the "BLOCK DIAGRAM" on page 19 for a full overview of the MT100 system.

CONNECTION EXAMPLES

BASIC CONNECTIONS



* Make sure the power to all equipment is OFF when making connections.

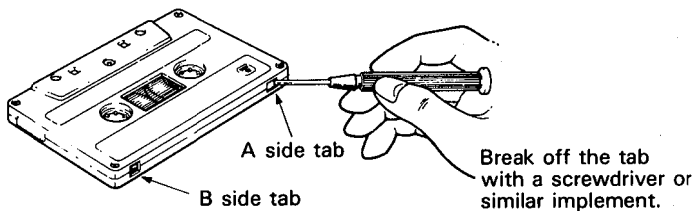
ABOUT CASSETTE TAPES

This unit is designed to be used only with Chrome-position tape, and will not work properly with Ferrichrome tape formulations. CrO₂ tape (Bias: HIGH; EQ: 70 μ s) should be used. Also, the use of C-120 tapes is not recommended because they exhibit poorer performance, and can be the cause of equipment failure.

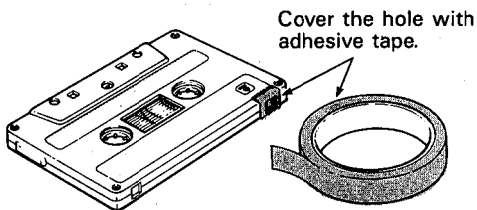
● Preventing accidental erasure of recordings

To keep from inadvertently erasing a prized recording, all cassette tapes have record protection tabs along the top edge of the cassette shell. If this tab is broken out using a screwdriver or any other appropriate implement, it will not be possible to record on the corresponding side of the tape. This will protect your recordings from accidental erasure. For 4-track recording, it's necessary to break out the tabs for both the A and B sides of the tape. When you'd like to record over a tape with the tabs broken out, just cover the holes (where the tabs were) with tape.

● PREVENTING ACCIDENTAL TAPE ERASURE:

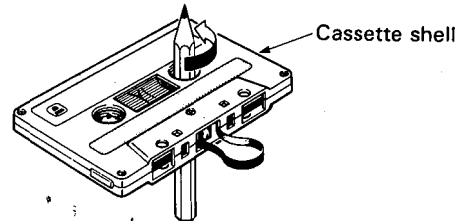


● RECORDING OVER A TAPE WITH THE TABS BROKEN OUT:



● Taking up tape slack

If the tape is used when it is slack, or some portion of the tape is out of the cassette shell, there is a risk it may become tangled around the capstan or pinchroller. In order to correct this, insert a pencil or ballpoint pen into the center of one reel, and rotate to take up loose tape slack.



● Storing cassette tapes

To prevent tape slack, fit a stopper into the tape or keep tapes in their cases. Do not store tapes in direct sunlight, or in places with high heat or humidity, as this may damage the tapes. Also, keep the tapes away from magnetic fields, such as near televisions or speakers, because the recordings can be erased or sonically altered to some degree.

THE RECORDING PROCESS

Recording with the MT100 is a very simple process. All you need is the MT100, a pair of monitor headphones, and an instrument, microphone, or other signal source.

The multitrack recording process can be basically broken down into the following steps:

1. Record the First Track.

- a) Channel-to-track Assignment.
- b) Set Record Level.
- c) Record.

2. Overdub the Remaining Tracks.

- a) Channel-to-track assignment for each overdub.
- b) Set record level for each overdub.
- c) Record the overdub.

3. Ping-pong and Overdub More Tracks (if necessary).

4. Mixdown.

- a) Set up for monitoring the mix.
- b) Set up a rough mix and add effects.
- c) Finalize and rehearse the mix.
- d) Connect the MT100 ST OUT jacks to a stereo cassette recorder.
- e) Record (from the MT100 to the stereo cassette recorder).

These steps (and what the recording terms mean) will be described in detail below, so its a good idea to read through the following sections in sequence in order to get a clear picture of the overall recording process.

RECORDING THE FIRST TRACK

STEP 1: CHANNEL-TO-TRACK ASSIGNMENT

The first step in making any recording is to assign the channel to which your instrument or other source is connected to one of the recorder's tracks.

Depending on what you are recording, you might want to record a single instrument or other source to a single track on the recorder, or you might want to combine several instruments or other sources and record them on a single track. The MT100 offers two "channel-to-track assignment" methods that can be used individually or combined to give you the track assignments that you need.

Direct Channel-to-Track Assignment

With this method, an instrument or source connected to one of the mixer's channels is fed directly to the correspondingly numbered track of the recorder. You can record a single track like this, or up to all four tracks simultaneously.

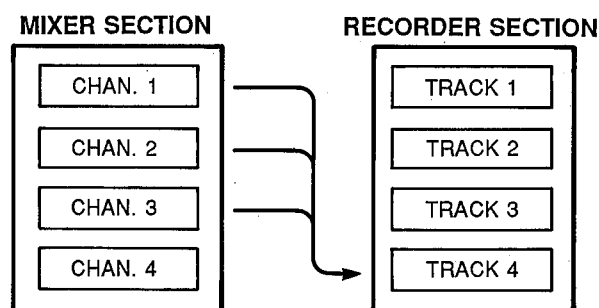
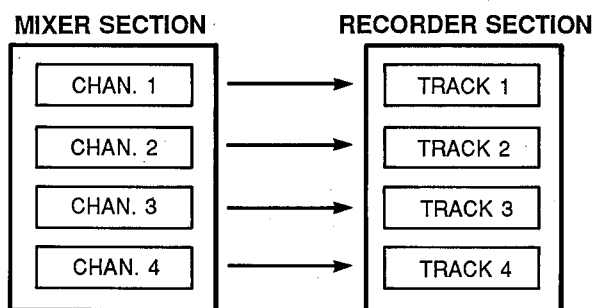
For direct channel-to-track assignment, the REC SELECT switch of the channel(s) to be recorded must be set to the "number" position (1, 2, 3 or 4). For example, if the channel 1 REC SELECT switch is set to "1," the channel 1 signal will be sent directly to track 1 of the recorder. This applies in the same way to all other channels and tracks.

Panned Channel-to-Track Assignment

The panned channel-to-track assignment method makes it possible to assign several of the mixer's channels to a single recorder track, or single mixer channels can be assigned to different track numbers.

Each of the REC SELECT switches has either an "L" or "R" position. These correspond to the left (L) and right (R) channels of the mixer's output. If a REC SELECT switch is set to "L," for example, any of the mixer's channels can be assigned to the correspondingly numbered track by setting its PAN control fully LEFT. You could assign channel 1 to track 4, for example, by setting the channel-4 REC SELECT switch to "R" and the channel-1 PAN control fully RIGHT.

The assignment shown in the diagram below is achieved by setting the channel-4 REC SELECT switch to "R," and setting the PAN controls of channel 1, 2 and 3 fully RIGHT. The channel-4 PAN control is set fully LEFT to prevent its signal from reaching track 4 of the recorder.



STEP 2: MONITOR SETUP

Once your source is connected to an input channel and that channel is assigned to one of the recorder's tracks, you should set up your monitor system so that you can monitor the track as it is recorded.

Headphone Monitoring

Monitoring via a pair of headphones connected to the PHONES jack offers the greatest flexibility and is recommended for general recording. The PHONES SELECT switch allows you to select the desired signal for monitoring as follows:

MONITOR: In this position only the output from the recorder's four tracks is sent directly to the PHONES jack via the four MONITOR controls. The MONITOR controls are used to set up the desired monitor "mix." This setup is ideal for general monitoring while recording because it allows you to set up a monitor mix independently from the channel faders. Material already recorded on any of the recorder's tracks is delivered to the PHONE jack via the corresponding MONITOR controls as long as the REC SELECT switches for the playback channels are set to OFF. The sound of instruments or other sources assigned to any of the recorder's tracks is also delivered to the PHONES jack via the corresponding MONITOR controls.

MIX: Both the output from the recorder's four tracks (via the MONITOR controls) and the stereo output from the mixer section are sent to the PHONES jack.

STEREO: Only the stereo output from the mixer section is sent to the PHONES jack. This setting is most useful for mixdown of a completed multitrack recording, since you want to hear the mix produced by the mixer section's channel faders and any effects applied using the AUX SEND and RTN controls while mixing. Make sure that no sources are plugged into any of the mixer's inputs while mixing, so that the outputs from the recorder section are routed to the mixer section's inputs.

Monitoring via a Sound System with Speakers

It is also possible to use a stereo sound system with speakers or a pair of powered monitor speakers (such as the YAMAHA MS101 Monitor Speaker System) connected to the MT100 ST OUT L and R jacks for monitoring. When monitoring via a sound system in this way, only the stereo output from the MT100 mixer section can be monitored. This is the same situation as monitoring via headphones with the PHONES SELECT switch set to STEREO. The use of a sound system for monitoring is therefore not recommended for general recording, but is **highly** recommended for mixdown since it allows you to monitor your mix under conditions that are closer to the way your final tape will hopefully be heard — via a stereo sound system and speakers.

Note: Speakers should not be used for monitoring if you will be recording via microphones, since the monitor sound will leak into the microphone(s) and spoil the recording.

STEP 3: SETTING RECORDING LEVELS

Setting optimum recording levels is vitally important to achieve the best possible recording quality.

1. Start with the channel fader on the channel to be used set to its minimum ("0") position, and the MIC/LINE trim control (if you are recording via channel 1 or 2) set all the way to LINE.
2. Once everything is properly set up play the source at the highest (loudest) level that it will be played while actually recording.
3. Set the MASTER fader to about "7" or "8" on the scale, and gradually raise the channel fader until you begin to hear the source sound and see the LED peak meter come to life. If your source is an electric instrument (guitar or bass) or a microphone and you are recording via channel 1 or 2, you may also have to slide the MIC/LINE trimmer towards the

MIC end of its scale to get a sufficiently high meter reading. Adjust the channel fader (and MIC/LINE trim control if applicable) so that the meter reading averages between about "0" and "+3" on the scale. Ideally, the channel fader should be set at about "7" or "8" on its scale to achieve the above-mentioned meter reading. This is to ensure the best possible signal-to-noise ratio and allow plenty of plus and minus leeway for later adjustment. If the fader setting is way off, try adjusting the volume control on the instrument or other source until you can get the optimum reading with a fader setting between "7" and "8."

STEP 4: RECORD

After assigning the input channel to a recorder track, checking the monitor settings and setting the optimum record level for the new track, you're ready to record.

1. Make sure that a cassette has been loaded into the cassette compartment, and that it is wound to the point at which you intend to start your recording. It's a good idea to press the counter RESET button to set the counter to "000" at this point so that you can automatically locate the beginning of the recording later using the ZERO STOP function.
2. Press the REC button and then the PLAY button to start recording, wait a few seconds, and start playing.
3. When you've finished recording the track, press the STOP transport button, turn the REC SELECT switch for the track just recorded OFF, rewind the tape (the tape will stop automatically at counter "000" if the ZERO STOP switch is ON).

4. Play back the recording (press the PLAY transport control) and listen to the track to make sure that everything went as planned.

Note: When recording the first track it is vital to record some form of "count-in" prior to actually playing your instrument! If you haven't included a one- or two-measure count-in in your first track, you'll have a heck of a time trying to coordinate the beginning of your second track with the first.

OVERDUBBING

Overdubbing is the process of recording a new track (or new tracks) while monitoring previously recorded tracks. If you're only planning to record a maximum of four tracks, you can go ahead and overdub the second, third and fourth tracks. If you're planning to use the "ping-pong" recording technique to record more than four parts, however, record only up to the third track and then move on to the ping-pong step (see "PING-PONG RECORDING" on page 14).

1. Plug the instrument or other source to be recorded into an available channel input.
2. Make sure that the REC SELECTOR switches of previously-recorded tracks are set to OFF so that they aren't erased when the new track is recorded.
3. Set up the channel-to-track assignment for the new track.
4. Check your monitor settings to ensure that you can monitor the previously recorded track(s) as well as the new track to be recorded (the PHONES SELECT switch should normally be set to MONITOR if you are monitoring via headphones).
5. Set the recording level for the new track.
6. You can now "rehearse" the overdub without actually recording by simply playing back the already-recorded track(s) and playing the new part.
7. Make sure the tape is rewound to the beginning of the piece and start recording.

These steps are simply repeated to overdub tracks 3 and 4.

PING-PONG RECORDING

Ping-pong recording is a technique you can use to squeeze more than just 4 parts onto your 4-track machine.

In ping-pong recording, you can record parts on tracks 1, 2, and 3, for example, and then re-record these tracks onto track 4, using the mixer controls to set up the right balance between the 3 original tracks. You now have a "mix" of the first 3 tracks on track 4, and tracks 1, 2, and 3 are available for more recording. That's already the equivalent of 6 "tracks" on your 4-track recorder. While mixing the first 3 tracks down onto track 4 you can also mix in a live instrument via the MT100 mixer section. That would give you 4 parts recorded on track 4 of the tape. With the 3 tracks you still have available for recording, that's a total of 7 tracks. Now, if you record only 2 of the remaining tracks and ping-pong these to track 3 while mixing in another live instrument, you'll have 4 parts on tracks

4, 3 parts on track 3, and 2 tracks available. That's a total of 9. Following this procedure it is actually possible to record up to 10 individual tracks without re-recording any single track more than once (refer to the illustration).

Note: Ping-ponging is a critical step because the tracks to be ping-ponged must be mixed **perfectly** before you can go on to recording the subsequent tracks. This is because once they're ping-ponged and new material has been recorded on the original tracks, their balance and individual sound **cannot** be changed unless you go back and record the original tracks all over again.

EXAMPLE: Recording tracks "1" through "10" using the Ping-pong process.

	Record parts 1, 2 and 3.	Ping-Pong 1, 2 and 3 to track 4 while adding part 4.	Record parts 5 and 6.	Ping-Pong 5 and 6 to track 3 while adding part 7.	Record part 8.	Move 8 to track 2 while adding 9.	Record 10 the last part.
TRACK 1	1		5		8		10
TRACK 2	2		6			8 + 9	8 + 9
TRACK 3	3			5, 6 + 7	5, 6 + 7	5, 6 + 7	5, 6 + 7
TRACK 4		1, 2, 3 + 4	1, 2, 3 + 4	1, 2, 3 + 4	1, 2, 3 + 4	1, 2, 3 + 4	1, 2, 3 + 4

A PING-PONG RECORDING EXAMPLE

The following is an example of how you would ping-pong material recorded on tracks 1, 2 and 3 onto track 4.

Here's how the controls should be set:

•Input Jacks

Make sure that **nothing** is plugged into any of the mixer's input jacks.

•Channel Faders

To begin with, set the channel 1 through 3 faders to about "7" on their scales, and set the channel-4 fader to "0."

•REC SELECT Switches

The channel 1 through 3 REC select switches must be set to OFF, and the channel-4 REC SELECT switch should be set to "R."

•AUX SEND Controls

Set all four AUX SEND controls to MIN for the time being.

•PAN Controls

Since the channel-4 REC SELECT switch is set to "R," the channel 1 through 3 PAN controls must be rotated full clockwise (right) to assign the track 1, 2 and 3 signals to track 4 of the tape. The channel-4 PAN control can be set to center.

•AUX RTN Control

Set to MIN for the time being.

•PHONES SELECT Switch

Set to MIX so you'll only hear signals from the MT100 recorder.

•MONITOR Controls

Set the channel 1 through 3 MONITOR controls fully counter-clockwise, and the channel-4 MONITOR control to about center or a position that will provide the best monitoring level.

1. Play back the tape (**don't** press the REC button yet). Gradually increase the channel-4 fader setting until you can hear the tracks you've recorded and the channel-4 meter reads around "0" on the scale. Adjust the MONITOR 4 control for the most comfortable monitoring level.
2. Adjust the channel 1, 2 and 3 faders — carefully — until you get the desired balance between the first three tracks. You'll notice that as you adjust the balance between tracks the channel-4 meter reading might change considerably. You'll have to compensate for this as you set up the ping-pong mix by adjusting the channel 4 fader.
3. When everything is set up perfectly, rewind the tape to the beginning and start recording. Sit back and wait until the ping-pong is complete, then stop the recorder. Now play back the tape and listen to the ping-ponged track carefully. If something sounds odd, go back and repeat the ping-pong process. You can do this as many times as necessary until you get it right — **then** go on to the next step.
4. Overdub and, if necessary, ping-pong the remaining tracks.

MIXDOWN

Mixdown is the final stage in the recording process at which you transform your multitrack master tape into a mono or stereo master tape that is the final creative product. The process involves re-recording the multitrack tape, via the MT100's mixer, onto a conventional stereo tape deck while you finely balance the tracks to achieve just the right sound. Tracks can be faded in or out as required, and refinements such as overall reverberation or equalization can be added using external signal processing equipment. The mixer's PAN controls can be used to position each track at the appropriate location in the stereo image, and you can even want pan a sound from one channel to the other for dramatic effect.

Here's how your system should be set up:

• **Input Jacks**

Make sure that **nothing** is plugged into any of the mixer's input jacks.

• **Channel Faders**

Set all channel to "0."

• **REC SELECT Switches**

All REC SELECT Switches to OFF.

• **AUX SEND Controls**

Set all four AUX SEND controls to MIN for the time being.

• **PAN Controls**

Start with all PAN controls set to center.

MASTER Fader

Set to about "7" or "8" on the scale.

• **AUX RTN Control**

Set to MIN for the time being.

• **PHONES SELECT Switch**

Set to STEREO if you'll be mixing using headphones. We recommend using an external sound system or a pair of powered monitor speakers (such as the YAMAHA MS101 Monitor Speaker System) for mixdown, in which case the PHONES SELECT switch setting doesn't matter.

• **MONITOR Controls**

Set all MONITOR controls fully counter-clockwise.

• **METER Switch**

4 TRACK.

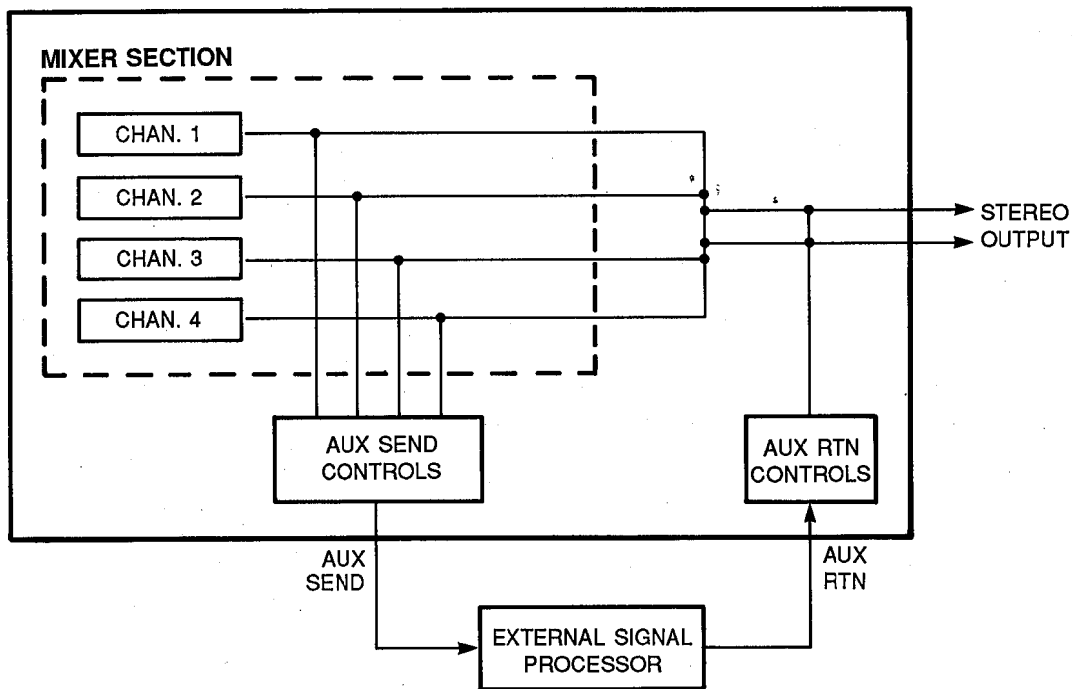
• **dbx Switch**

If you started recording with the dbx switch ON, leave it ON. If OFF, it should stay OFF.

1. Sit in a comfortable, central position in front of your monitor speakers.
2. Listen to, evaluate, and adjust the sound of each track individually. This simply means raising the fader of a single track, adding effects or other signal processing as required, then repeating the process on the next track until all tracks have been carefully checked. If you have an external signal processing device such as the YAMAHA R100 Reverb Processor connected into the MT100's AUX SEND/RTN loop as described in the following section ("USING THE AUX SEND/RTN LOOP"), it's a simple matter to select the desired effect on your signal processor and add the required amount of effect to each track using the AUX SEND controls. The AUX RTN control must also be set to an appropriate level.
3. When all tracks have been individually checked, bring all channel faders up to about "7" or "8" on the scale and play back the tape. Adjust the faders for the best overall balance. Now adjust the PAN controls to place each track at the desired location in the stereo sound field. Now listen carefully — too much or too little reverb on any track? Readjust the AUX SEND controls to achieve the desired effect. Balance not quite right? Keep readjusting until you are satisfied. You should also rehearse any fades or pans you plan to do while actually recording the mix.
4. When you're sure everything is ready, prepare to actually record the mix. To do this you'll have to connect the MT100 ST OUT jacks to the inputs of a stereo cassette recorder. Plug your monitor headphones into the stereo cassette deck phones jack if you want to listen as you record the mix, or simply leave them connected to the MT100 PHONES jack and listen with the PHONES SELECT switch set to STEREO. Use the stereo cassette deck record level control(s) and, if necessary, the MT100 MASTER fader to set the optimum record level, then go ahead and record. The MT100 MASTER fader can also be used to add a slow fade at the end of the piece.

USING THE AUX SEND/RTN LOOP

The MT100's AUX SEND controls function like a secondary mixer that derives its input signals from the main mixer's four channels and combines them into a mono signal which is delivered via the AUX SEND jack (refer to the diagram below). You can use the AUX send controls to create an "effect mix" which is entirely independent of the main mix, thus applying the required degree of effect to each channel signal. The AUX SEND signal is sent to the input of an external signal processor (reverb, echo or other effect device), and the output from the signal processor is returned to the AUX IN jack. The level of the signal received at the AUX IN jack can be adjusted using the AUX RTN control, and the resulting signal is combined with the MT100's main stereo output signal. Since the returned effect signal is combined with the mixer's stereo output signal, the AUX SEND/RTN loop is most ideally suited to adding effects to individual tracks during the final mixdown process.



Note: Since the AUX SEND/RTN loop returns the effect signal to the mixer section's stereo outputs, effects can be added to channels during ping-pong recording as long as the panned channel-to-track assignment method is used. The AUX SEND/RTN loop cannot be used to add effects when recording tracks which have been assigned using the direct channel-to-track assignment method.

PUNCH-IN/OUT RECORDING

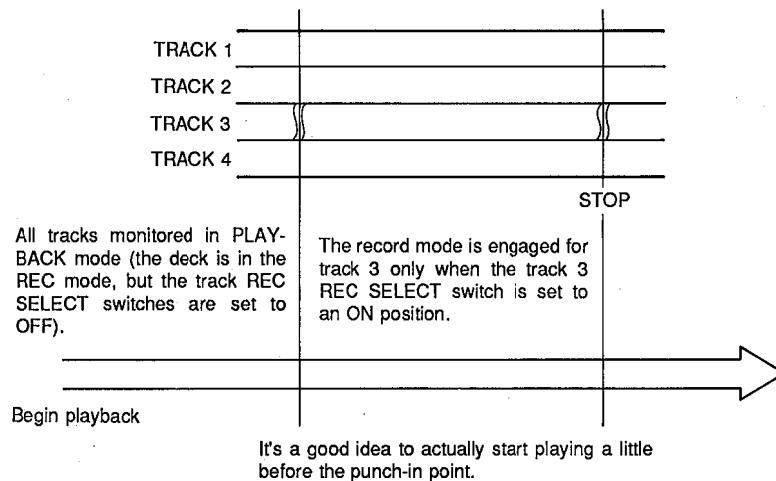
Punch-in/out recording makes it possible to re-record a short segment of an otherwise perfect track in order to correct a mistake or "brush up" an important passage. You "punch-in" at the point where you begin recording the new segment, and "punch-out" at the end of the new segment so that the previously-recorded material is not erased.

Punch-in/out Using the REC SELECT Switches

1. Start the deck running — a few measures before the section to be re-recorded begins — in the record-ready mode by pressing the REC button and then the PLAY button with all track REC SELECT switches set to OFF. The red REC LED will flash indicating that the transport is in the record-ready mode. The PHONES SELECT switch should be set to MONITOR so you can hear all the tracks.
2. At a convenient break in the track switch the track to be corrected to the record mode (punch-in by switching the REC SELECT switch for that track to the appropriate record position) and start playing the new material to be recorded. The REC LED will light continuously as soon as the REC SELECT switch is set to a record position.
3. At the end of the re-recorded segment switch the track back to the play mode (punch-out by switching the REC SELECT switch for that track to OFF). The red REC LED will begin to flash.

Footswitch Punch-in/out

1. Plug a YAMAHA FS-1 (optional) footswitch into the MT100 PUNCH I/O jack.
2. Set the REC SELECT switch for the track to be punched-in to the appropriate record position, and press the REC button to activate the rec/pause mode. The red REC LED should flash instead of lighting continuously. If the red REC LED lights continuously, press the footswitch once so that it flashes.
3. Press the PLAY button to start the transport running in the record-ready mode.
4. Press the footswitch to punch-in. The red REC LED will light continuously.
5. Press the footswitch a second time to punch-out. The red REC LED will begin to flash.

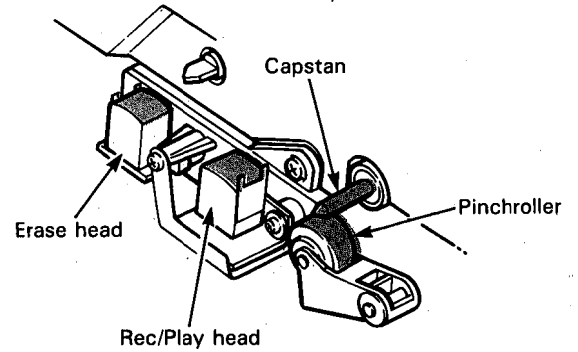


MAINTENANCE

As a good general rule, the tape heads, pinchroller and capstan should be cleaned before each recording, thus ensuring the best audio quality.

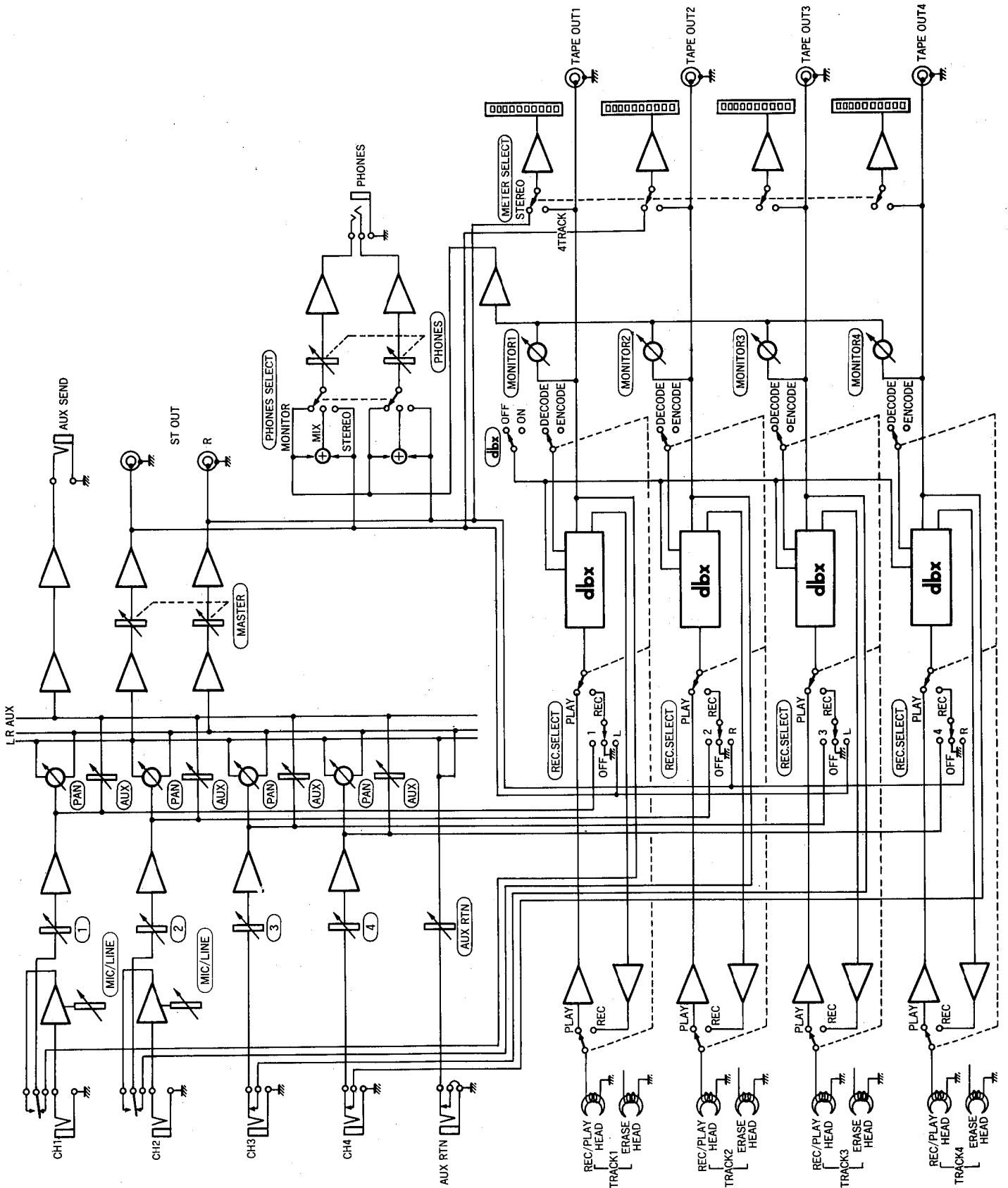
After the deck has been used for a period of time, the heads, pinchroller, and capstan will become dirty. This increases noise and uneven rotation, leading to a deterioration in sound quality. Therefore, periodic cleaning and demagnetization is necessary for preserve optimal audio performance.

Use cotton swabs and alcohol or head cleaning fluid (available in most all audio stores) to clean the heads, capstan, and pinchroller. Keeping the heads clean is essential for good recordings. For demagnetization, use a high quality head demagnetizer, and follow the instructions carefully.



■ It's important to keep all parts clean!

BLOCK DIAGRAM



SPECIFICATIONS

TAPE TRANSPORT

Tape Type	Chrome (70 microsec. EQ)
Heads	4-channel Permalloy rec/play head 4-channel ferrite erase head
Tape Speed	4.75 cm/sec., 9.5 cm/sec.
Pitch Control	± 10%
Wow & Flutter	Less than 0.05% WRMS
Rewind Time	Approx. 100 sec., for C-60 tape
Motor	DC servo motors (2)

CONNECTORS

Input 1 & 2	Input Impedance	10 k-ohms
	Rated Input Level	-10 dB to -50 dB (fader nominal)
	Max. Input Level	+10 dB (gain control min.)
	Min. Input Level	-56 dB (gain control, fader max.)
Input 3 & 4	Input Impedance	10 k-ohms
	Rated Input Level	-10 dB (fader nominal)
	Min. Input Level	-16 dB (fader max.)
Aux Return	Input Impedance	10 k-ohms
	Rated Input Level	-10 dB (fader nominal)
	Min. Input Level	-16 dB (fader max.)
Stereo L & R	Output Impedance	1 k-ohm
	Load Impedance	Greater than 10 k-ohms
	Rated Output Level	-10 dB into 50 k-ohms
Phones Out	Load Impedance	8 to 40 ohms
	Max. Output Level	100 mW + 100 mW/40 ohms
Tape Out 1 to 4	Output Impedance	1 k-ohm
	Load Impedance	Greater than 10 k-ohms
	Rated Output Level	-20 dB into 50 k-ohms
Aux Send	Output Impedance	1 k-ohm
	Load Impedance	Greater than 10 k-ohms
	Rated Output Level	-10 dB into 50 k-ohms

ELECTRICAL SPECIFICATIONS

Frequency Response	40 Hz to 18 kHz, ± 3 dB at 9.5 cm/sec. 40 Hz to 12.5 kHz, ± 3 dB at 4.75 cm/sec.
S/N ratio	85 dB, dbx ON, IHF-A
Distortion	Less than 1%, 315 Hz
Channel Separation	Greater than 55 dB at 1 kHz
Erasure Ratio	Greater than 70 dB at 1 kHz
Noise Reduction	dbx *

GENERAL

Power Requirements (PA-100 AC Adapter)	U.S. & Canadian Models: 120 V AC, 60 Hz General Model: 220/240 V AC, 50/60 Hz
Dimensions (WxHxD)	382 x 65 x 205 mm (15" x 2-1/2" x 8")
Weight	2.5 kg (5.5 lbs)

* dbx is a trademark of dbx Incorporated.

0 dB = 0.775 V_{r.m.s.}

All specifications subject to change without notice.

Français

ENREGISTREUR DE CASSETTES MULTIPISTE

MT100

MANUEL D'INSTRUCTIONS

FELICITATIONS!

Votre enregistreur de cassettes multipiste MT100 est un outil créatif, peu commun qui vous permettra de travailler avec le son de nombreuses manières différentes. Aucun autre enregistreur de cassettes multipiste offre la simplicité directe et l'aisance d'utilisation du MT100. Que vous ayez besoin d'enregistrer des instruments acoustiques et des voix au moyen de microphones, ou des sources et instruments électroniques directement connectés, ou encore un mélange créatif des deux, le MT100 vous permet de créer votre propre son sans problème et avec la plus grande aisance. Vous pouvez tout simplement enregistrer et remélanger quatre pistes, ou utiliser la technique de l'enregistrement multipiste en "ping-pong" pour enregistrer individuellement jusqu'à dix parties indépendantes, ajoutant le son couche par couche jusqu'à ce que vous ayez créé l'arrangement et la texture que votre imagination demande. Le MT100 est aussi simple à utiliser seul qu'avec un groupe. Et parce que c'est un YAMAHA, vous avez la certitude que le MT100 vous donnera la qualité sonore et les performances générales les meilleures qu'il soit possible d'obtenir. Afin d'utiliser au mieux les innombrables fonctions du MT100 et d'en obtenir des performances maximales, nous vous suggérons de lire très attentivement ce manuel d'instructions et de le ranger dans un endroit sûr afin de pouvoir vous y référer plus tard.

TABLES DES MATIERES

PRECAUTIONS	23
COMMANDES ET CONNECTEURS	24
EXEMPLES DE CONNEXIONS	29
CHOIX ET MANIPULATIONS DES CASSETTES	30
METHODE D'ENREGISTREMENT	31
ENREGISTREMENT DE LA PREMIERE PISTE	32
ETAPE 1: AFFECTATION CANAL/PISTE	32
ETAPE 2: PREPARATION DU SYSTEME DE MONITORING	33
ETAPE 3: REGLAGE DES NIVEAUX D'ENREGISTREMENT	34
ETAPE 4: ENREGISTREMENT	34
SURMIXAGE	35
ENREGISTREMENT EN PING-PONG	36
EXEMPLE D'UN ENREGISTREMENT EN PING-PONG	36
MIXDOWN	37
UTILISATION DE LA BOUCLE TRANSMISSION/RETOUR	38
ENREGISTREMENT PUNCH-IN/PUNCH-OUT	39
ENTRETIEN	40
SCHEMA DE PRINCIPE	41
SPECIFICATIONS	42

PRECAUTIONS

1. EVITER CHALEUR, HUMIDITE, POUSSIERE ET VIBRATIONS EXCESSIVES

Ne pas placer l'appareil là où il pourrait être soumis à des températures ou une humidité excessives, comme par exemple à proximité d'un radiateur, d'un calorifère, etc. Eviter également les endroits particulièrement poussiéreux ou soumis à des vibrations qui pourraient provoquer des dommages mécaniques.

2. EVITER LES CHOCS

Des chocs physiques violents peuvent endommager l'appareil. Par conséquent le manipuler avec soin.

3. NE PAS OUVRIR L'APPAREIL ET NE PAS ESSAYER DE LE REPARER OU DE LE MODIFIER SOI-MEME

Ce produit ne contient pas de pièces réparables par l'utilisateur. Pour l'entretien et les réparations, toujours contacter un personnel YAMAHA compétent. Le fait d'ouvrir l'appareil et/ou d'altérer les circuits internes annulerait la garantie.

4. AVANT DE PROCEDER AUX CONNEXIONS OU AUX DEBRANCHEMENTS, CONFIRMER QUE L'APPAREIL EST HORS TENSION

Avant de brancher ou de débrancher les cordons toujours mettre l'appareil hors tension. Cette démarche est importante, car elle permet d'éviter tout dommage à l'appareil, ainsi qu'aux autres composants raccordés.

5. MANIPULER PRECAUTIONNEUSEMENT LES CORDONS

Brancher et débrancher les cordons, le cordon d'alimentation secteur y compris, en saisissant le connecteur, jamais en tirant sur le cordon.

6. NETTOYER L'APPAREIL AVEC UN CHIFFON DOUX ET SEC

Ne jamais utiliser de solvants, tels que la benzine ou un dissolvant, pour nettoyer l'appareil. L'essuyer simplement avec un chiffon doux et sec.

7. TOUJOURS UTILISER LA SOURCE D'ALIMENTATION ADEQUATE

Le MT100 doit être alimenté en utilisant exclusivement l'adaptateur secteur YAMAHA PA-100 fourni. L'utilisation de tout autre adaptateur pourrait endommager sérieusement le MT100.

8. MAINTENIR LES TETES ET LE PASSAGE DE LA BANDE PROPRES

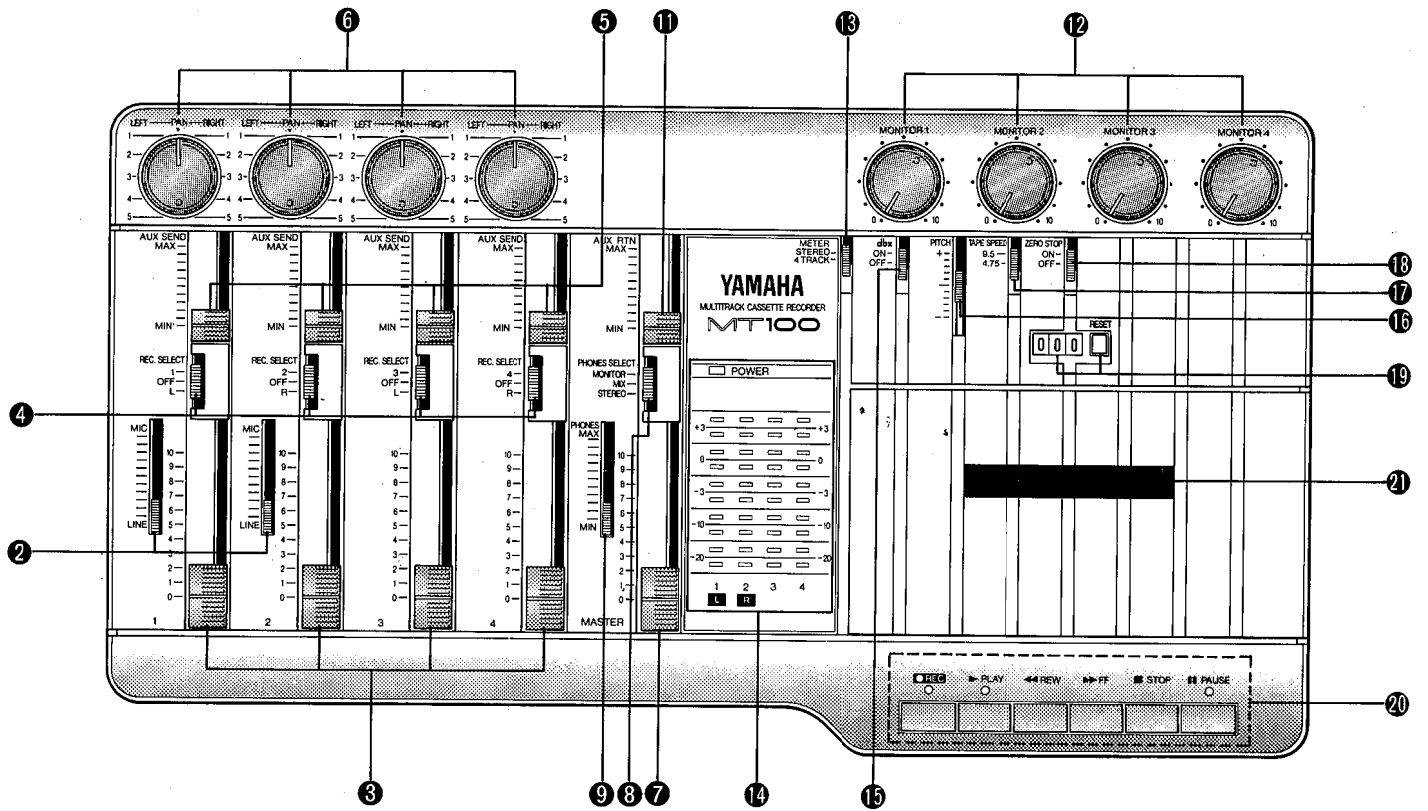
Afin de toujours obtenir des performances élevées et une bonne qualité sonore du MT100, il est très important de nettoyer régulièrement les têtes et le passage de la bande (idéalement parlant avant chaque séance d'enregistrement). Pour ce faire utiliser un kit de nettoyage spécialement conçu pour être utilisé avec des appareils à cassettes.

9. N'UTILISER QUE DES CASSETTES AU CHROME DE QUALITE SUPERIEURE

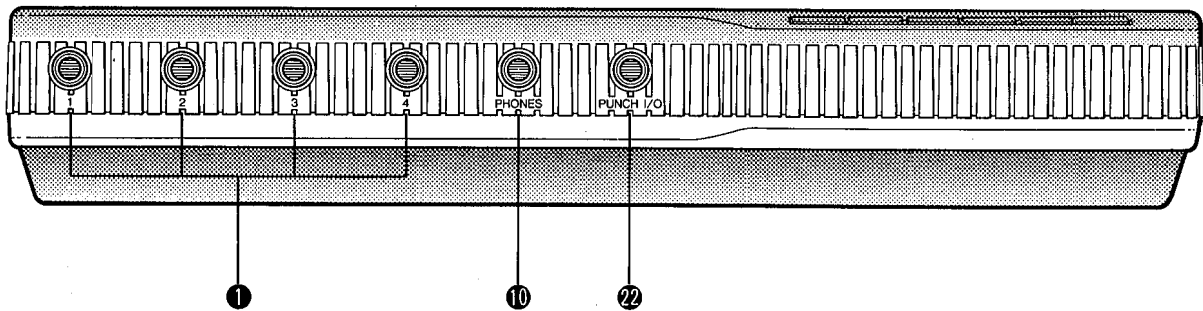
Le MT100 a été conçu pour être utilisé avec des cassettes CrO₂ (chrome) et ses performances seront moindre avec un autre type de cassette. Toujours choisir des cassettes d'une marque de confiance.

COMMANDES ET RACCORDEMENTS

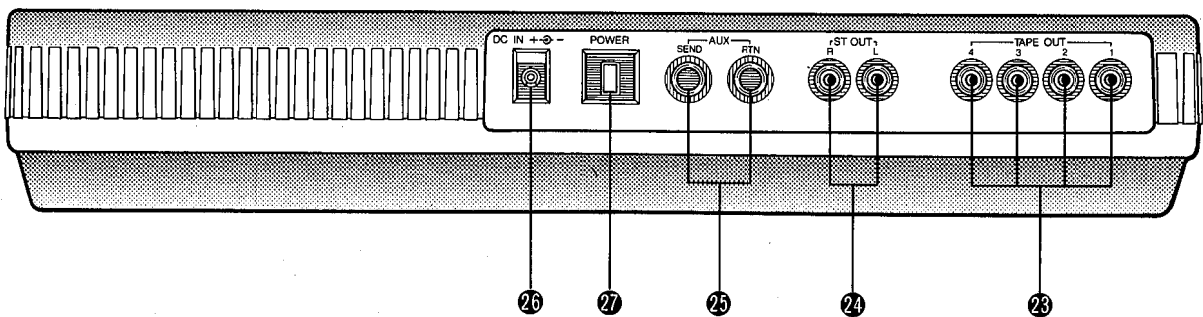
— PANNEAU DE COMMANDE —



— PANNEAU AVANT —



— PANNEAU ARRIERE —



CANAUX ET PISTES

Le terme "canal" et le terme "piste" ont été utilisés dans ce manuel d'instructions pour différencier les quatre "canaux" de l'étage mélangeur et les quatre "pistes" de l'étage enregistreur du MT100. Le terme "piste" est également utilisé pour désigner les quatre "pistes" effectivement enregistrées sur la bande.

1 Bornes d'entrée 1 à 4

Ces quatre bornes d'entrée acceptent des signaux en provenance de n'importe quelle source de niveau de ligne, comme par exemple un instrument de musique électronique ou un lecteur de cassette. Les entrées 1 et 2 acceptent également des signaux en provenance d'instruments de musique électriques tels que guitares et basses, ou en provenance de microphones. Les entrées 1 à 4 sont des prises audio monaurales standard de 1/4". Lorsqu'une source est connectée à une de ces prises, ses signaux sont transmis au canal correspondant de l'étage mélangeur du MT100.

Remarque: Lorsque il n'y a pas de source connectée à une borne d'entrée, la sortie de la piste correspondante de l'étage enregistreur du MT100 est automatiquement dirigée vers le canal correspondant de l'étage mélangeur.

2 Commandes de gain (MIC/LINE) (canal 1 et canal 2 uniquement)

Les commandes de gain permettent de régler la sensibilité des entrées du canal 1 et du canal 2 afin qu'elles puissent accepter des signaux ayant des niveaux très variés, du niveau de ligne au niveau de microphone. Les commandes de gain sont utilisées conjointement aux potentiomètres du canal 1 et du canal 2 afin de régler le niveau d'enregistrement optimal pour une grande variété de sources (voir "REGLAGE DES NIVEAUX D'ENREGISTREMENT" à la page 34).

3 Potentiomètres de canal

Les potentiomètres de canal sont utilisés pour régler le niveau (volume) du signal du canal correspondant de l'étage mélangeur, qu'il provienne d'une source connectée à une prise d'entrée ou de l'étage enregistreur du MT100. Les potentiomètres sont utilisés pour obtenir les niveaux optima pendant l'enregistrement et pour équilibrer (mixer) le son en provenance des pistes de l'étage enregistreur pendant la lecture d'un enregistrement.

4 Sélecteurs d'enregistrement (REC SELECT)

Les sélecteurs REC SELECT sont utilisés pendant l'enregistrement pour affecter (transmettre) les signaux en provenance de chaque canal de l'étage mélangeur, soit directement à la piste correspondante de l'étage enregistreur, soit à une piste différente via les commandes PAN (voir "AFFECTATION CANAL/PISTE" à la page 32).

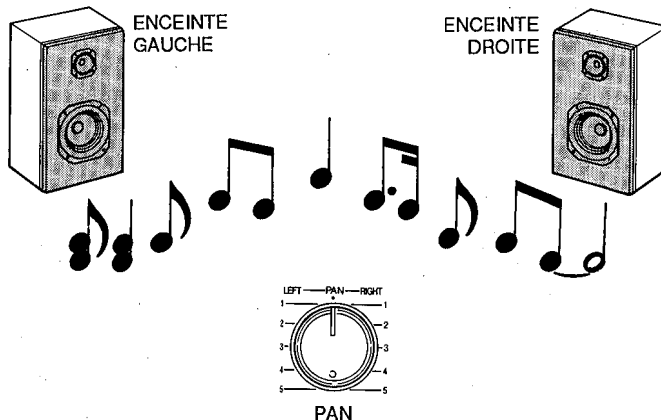
Remarque: Lorsqu'un des sélecteurs REC SELECT est mis sur une position autre que "OFF", le témoin à LED rouge situé au-dessus de la touche REC se met à clignoter pour indiquer que le MT100 est prêt pour enregistrer.

5 Commandes de transmission auxiliaire (AUX SEND)

Les commandes AUX SEND servent principalement lors de l'addition d'effets, tels que les effets de réverbération ou d'écho, au son de chaque canal ou piste. La commande AUX SEND de chaque canal de l'étage mélangeur détermine la partie du signal de ce canal qui sera transmise à la prise AUX SEND. La prise AUX SEND doit être reliée à l'entrée d'un processeur de signaux externe, comme par exemple le processeur de réverbération YAMAHA R100 (voir "UTILISATION DE LA BOUCLE TRANSMISSION/RETOUR" à la page 38).

6 Commandes panoramiques (PAN)

Les commandes PAN affectent le signal en provenance du canal correspondant de l'étage mélangeur à la position souhaitée dans le "champ sonore stéréo". Si une commande PAN est tournée à fond sur la position "LEFT" (gauche), le signal de ce canal ne sera appliqué qu'à la sortie de canal gauche (ST OUT L) du MT100. Si une commande PAN est tournée à fond sur la position "RIGHT" (droite), le signal ne sera appliqué qu'à la sortie ST OUT R. Si une commande PAN est mise sur la position centrale, le signal de ce canal sera appliqué d'une manière égale aux sorties de canal gauche et de canal droit et le son apparaîtra au centre du champ sonore stéréo (en un point à égale distance des deux enceintes acoustiques). Les autres réglages des commandes PAN placent le son sur une position correspondant approximativement au réglage des commandes PAN, et ce en variant le niveau du signal transmis aux sorties de canal gauche et de canal droit. Les commandes PAN peuvent également être utilisées pendant l'enregistrement pour affecter les signaux en provenance de plusieurs canaux à une seule piste de l'étage enregistreur, ou pour affecter un canal à une piste de l'étage enregistreur ayant un numéro différent (voir "AFFECTATION CANAL/PISTE" à la page 32).



7 **Potentiomètre principal (MASTER)**

Le potentiomètre MASTER permet de régler le niveau de sortie d'ensemble de l'étage mélangeur du MT100 et, par conséquent, le niveau du signal de sortie appliqué aux prises ST OUT. Le potentiomètre MASTER règle également le niveau d'enregistrement lorsque l'un des canaux de l'étage mélangeur est affecté aux pistes de l'étage enregistreur, via les commandes PAN (voir "REGLAGE DES NIVEAUX D'ENREGISTREMENT" à la page 34).

8 **Sélecteur de casque (PHONES SELECT)**

Le MT100 permet le monitoring, via un casque d'écoute stéréo connecté à la prise PHONES. Le sélecteur PHONES SELECT détermine quels signaux seront transmis à la prise PHONES pour être contrôlés.

MONITOR: Dans cette position seule la sortie des quatre pistes de l'étage enregistreur est transmise directement à la prise PHONES via les quatre commandes MONITOR.

MIX: La sortie des quatre pistes de l'étage enregistreur (via les commandes MONITOR) et la sortie stéréo de l'étage mélangeur sont transmises à la prise PHONES.

STEREO: Seule la sortie stéréo de l'étage mélangeur est transmise à la prise PHONES.

9 **Commande de casque (PHONES)**

La commande PHONES règle indépendamment le niveau du signal de casque d'écoute, permettant ainsi d'obtenir facilement le niveau de contrôle le plus confortable.

10 **Prise de casque (PHONES)**

Un casque d'écoute ayant une impédance comprise entre 8 et 40 ohms peut être connecté à cette prise. Le monitoring par casque est le moyen le plus pratique d'écouter les divers signaux du MT100, et dans ce but nous préconisons vivement l'achat d'un casque d'écoute de bonne qualité. Le YAMAHA MH100 est idéal.

11 **Commande de retour auxiliaire (AUX RTN)**

La commande AUX RTN détermine le niveau auquel le signal en provenance d'un processeur de signaux externe transmis par la prise AUX SEND sera renvoyé et mélangé au signal de sortie stéréo principal du MT100. La sortie d'un processeur de signaux externe transmise par la prise AUX SEND doit être reliée à la prise AUX RTN (voir "UTILISATION DE LA BOUCLE TRANSMISSION/RETOUR" à la page 38).

12 **Commandes de monitoring (MONITOR)**

Chacune des quatre commandes MONITOR détermine le niveau du signal de la piste correspondante de l'étage enregistreur qui est transmis à la prise PHONES lorsque le sélecteur PHONES SELECT est sur la position "MONITOR" ou "MIX". Les commandes MONITOR servent principalement à régler les niveaux optima pour le monitoring des pistes enregistrées pendant l'enregistrement de nouveaux matériaux (surmixage).

13 **Sélecteur d'affichage (METER)**

Le sélecteur METER détermine si les quatre indicateurs de crête à LED afficheront le niveau des pistes correspondantes de l'étage enregistreur, lorsqu'il est mis sur la position "4 TRACKS", ou si les indicateurs 1 et 2 afficheront le niveau des signaux apparaissant aux sorties stéréo (prises ST OUT) de l'étage mélangeur, lorsqu'il est mis sur "STEREO".

14 **Indicateurs de crête à LED**

Les quatre indicateurs de crête à LED affichent d'une manière précise les niveaux de sortie des quatre pistes de l'étage enregistreur du MT100 lorsque le sélecteur METER est mis sur la position "4 TRACK". Les deux premiers indicateurs (numéros 1 et 2) affichent le niveau des sorties stéréo (prises ST OUT) de l'étage mélangeur lorsque le sélecteur METER est mis sur la position "STEREO". Les indicateurs de crête à LED jouent un rôle important lors du réglage des niveaux d'enregistrement optima pour l'enregistrement de matériaux nouveaux (voir "REGLAGE DES NIVEAUX D'ENREGISTREMENT" à la page 34).

15 **Interrupteur dbx (ON/OFF)**

L'interrupteur dbx commande l'activation/désactivation du circuit interne de réduction du bruit dbx du MT100. Pendant la lecture ou l'enregistrement normal à l'aide du MT100, l'interrupteur dbx doit être mis sur "ON". Ceci permet d'obtenir un rapport signal/bruit considérablement amélioré (jusqu'à 85 dB) de sorte que les enregistrements seront plus clairs, avec très peu de sifflement de bande. Pour que le système de réduction de bruit dbx soit efficace, il doit être activé aussi bien pendant l'enregistrement et que pendant la lecture. L'interrupteur dbx doit être mis sur "OFF" pendant la lecture de bandes enregistrées sur un autre appareil et non codées dbx.

16 **Commande de vitesse de défilement (PITCH)**

La commande PITCH fait varier la vitesse de défilement de la bande de $\pm 10\%$, ce qui permet "d'accorder" les matériaux enregistrés avec le MT100 en fonction de la hauteur tonale d'instruments de musique, ou de légèrement prolonger ou réduire le temps de passage d'un enregistrement à des fins de synchronisation. La vitesse de défilement est normale lorsque la commande PITCH est à la position centrale marquée par un déclic. Pour accélérer la vitesse de défilement faire coulisser la commande vers l'extrémité "+" de l'échelle et pour la réduire la faire coulisser vers l'extrémité "-".

17 **Sélecteur de vitesse de défilement (TAPE SPEED)**

Le sélecteur TAPE SPEED permet de sélectionner soit la vitesse de défilement standard de 4,75 cm/sec, soit la vitesse spéciale du MT100 de 9,5 cm/sec. Utiliser la vitesse standard (4,75) pour la lecture de bandes enregistrées sur magnétocassettes standards ou pour des raisons d'économie de bande. Utiliser la vitesse élevée (9,5) pour obtenir une meilleure qualité sonore. L'amélioration de la qualité sonore que donne la vitesse de défilement élevée est assez importante et nous préconisons d'utiliser cette vitesse pour tous les enregistrements importants.

18 **Commande d'arrêt sur zéro (ZERO STOP)**

La commande ZERO STOP permet de retrouver rapidement un point spécifique d'une bande. Cette fonction est particulièrement pratique dans le cas d'un enregistrement multipiste du fait qu'il est nécessaire de rembobiner constamment la bande jusqu'au même point pour surmixer (à savoir: enregistrer une nouvelle piste tout en monitorant les pistes précédemment enregistrées). Pour utiliser la fonction ZERO STOP, mettre le compteur de bande (au-dessous) à "000" sur le point qui doit être retrouvé en appuyant sur la touche RESET. Ensuite, la commande ZERO STOP étant mise sur "ON", la bande s'arrêtera automatiquement lorsque le compteur atteint "000" en modes de rembobinage ou d'avance rapide.

19 **Compteur de bande et touche de remise à zéro (RESET)**

Ce compteur de bande à trois chiffres permet de repérer facilement la position de la bande. Il est conseillé de noter les indications du compteur pour tous les points importants d'un enregistrement afin de pouvoir les retrouver facilement plus tard. La touche RESET permet de remettre le compteur à "000" sur la position à laquelle se trouve la bande.

20 **Commandes de défilement**

Ces commandes électroniques à effleurement permettent un contrôle sûr et régulier de toutes les fonctions de défilement de la bande.

Lecture (PLAY): Lance le défilement de la bande en mode de lecture. Le témoin à LED vert PLAY reste allumé pendant la lecture.

Enregistrement (REC): Appuyer sur la touche REC pour passer au mode "REC/PAUSE". Si tous les sélecteurs REC SELECT sont sur la position "OFF", le témoin à LED rouge REC clignote, alors que le témoin orange PAUSE reste allumé continuellement. Si un des sélecteur REC SELECT est mis sur une position autre que "OFF", les deux témoins à LED, rouge REC et orange PAUSE, resteront allumés continuellement. Dans ce mode la bande ne défile pas et l'enregistrement n'a pas encore commencé. Lorsque l'appareil est en mode REC/PAUSE, appuyer sur la touche PLAY pour lancer effectivement le défilement de la bande en mode enregistrement (si un des sélecteurs REC SELECT est mis sur une position autre que "OFF"), ou en mode prêt à l'enregistrement (si tous les sélecteurs REC SELECT sont mis sur la position "OFF"). Les témoins à LED rouge REC et vert PLAY restent allumés pendant l'enregistrement. Le témoin rouge REC continuera de clignoter et l'enregistrement ne se fera pas si aucun des sélecteurs REC SELECT n'est sur une position d'enregistrement.

Remarque: Seules les pistes dont le sélecteur REC SELECT correspondant est mis sur une position d'enregistrement seront enregistrées lorsque le mode d'enregistrement est activé.

Remarque: Le mode d'enregistrement ne peut pas être activé si une cassette sans languette de protection est mise en place.

PAUSE: Interrompt la lecture ou l'enregistrement. Le témoin à LED orange PAUSE s'allume en mode de PAUSE. Appuyer sur la touche PLAY pour sortir du mode de PAUSE et reprendre la lecture ou l'enregistrement.

Rembobinage (REW) et Avance rapide (FF): Ces touches lancent le défilement rapide de la bande dans le sens correspondant.

Arrêt (STOP): Arrête immédiatement le défilement de la bande quel que soit le mode de fonctionnement.

④ **Compartment de cassette**

La cassette est mise en place dans ce compartiment. Utiliser uniquement des cassettes au chrome (CrO₂) de qualité supérieure. Tout autre type de cassette ne permettra pas d'avoir des caractéristiques de fréquence correctes et un bruit minimal avec le MT100. Tout d'abord, soulever le volet du compartiment (une languette se trouve sur le côté droit du volet), introduire ensuite la cassette avec son bord ouvert (le côté où la bande est visible) dirigé vers les commandes de défilement. Pousser le bord arrière (fermé) de la cassette sous le doigt de retenue central à l'arrière du compartiment et pousser ensuite le bord avant (ouvert) dans le mécanisme, SANS FORCER! Refermer ensuite le volet du compartiment.

Remarque: Du fait que le MT100 utilise toute la largeur de la bande pour enregistrer quatre pistes, la cassette ne peut être enregistrée que d'un seul côté. Si on tente de tourner la cassette et d'enregistrer de l'autre côté, tout l'enregistrement déjà effectué sera effacé.

⑤ **Prise de pédale (PUNCH I/O)**

Une pédale YAMAHA FS-1 en option peut être connectée à cette prise afin de pouvoir commander au pied l'enregistrement punch-in/punch-out (voir "ENREGISTREMENT PUNCH-IN/PUNCH-OUT à la page 39)

⑥ **Prise de sortie de bande (TAPE OUT)**

Les quatre prises TAPE OUT sont les sorties directes des pistes correspondantes de l'étage enregistreur du MT100. Ces prises permettent de transmettre la sortie des quatre pistes de l'étage enregistreur à une console de mixage externe. Les prises TAPE OUT peuvent également être utilisées pour transmettre chaque piste de l'étage enregistreur à des processeurs de signaux externes, dont les sorties peuvent être ensuite retournées aux entrées de l'étage mélangeur du MT100. Les prises TAPE OUT sont des prises à broches RCA ayant un niveau de sortie nominal de -10 dB pour une charge supérieure à 50 kohms.

⑦ **Prises de sortie stéréo (ST OUT R et L)**

Ces prises sont les sorties principales du MT100; elles fournissent les signaux de sortie stéréo en provenance de l'étage mélangeur du MT100. Les prises ST OUT peuvent être reliées à une chaîne audio stéréo, pour le monitoring ou l'écoute, ou à un deuxième enregistreur de cassettes pour l'enregistrement d'un "mixage" stéréo d'une bande originale multipiste MT100. Les prises ST OUT R (droite) et L (gauche) sont des prises à broche RCA ayant un niveau de sortie nominal de -10 dB pour une charge supérieure à 50 kohms.

⑧ **Prises de transmission et de retour auxiliaire (AUX SEND & RTN)**

Les prises AUX SEND et AUX RTN facilitent l'utilisation d'un processeur de signaux externe (comme par exemple le processeur de réverbération YAMAHA R100) afin d'ajouter des effets aux signaux du MT100. La prise AUX SEND doit être reliée à l'entrée du processeur de signaux et la sortie du processeur de signaux à la prise AUX RTN (voir "UTILISATION DE LA BOUCLE TRANSMISSION/RETOUR" à la page 38).

⑨ **Prise d'entrée CC (DC IN)**

Le cordon de sortie CC de l'adaptateur secteur YAMAHA PA-100 fourni avec le MT100 doit être connecté à cette prise. L'adaptateur secteur doit être branché à une prise secteur mural.

Attention: Utiliser uniquement l'adaptateur YAMAHA PA-100 pour alimenter le MT100. Tout autre adaptateur secteur pourrait provoquer un fonctionnement défectueux, ou même endommager définitivement le MT100.

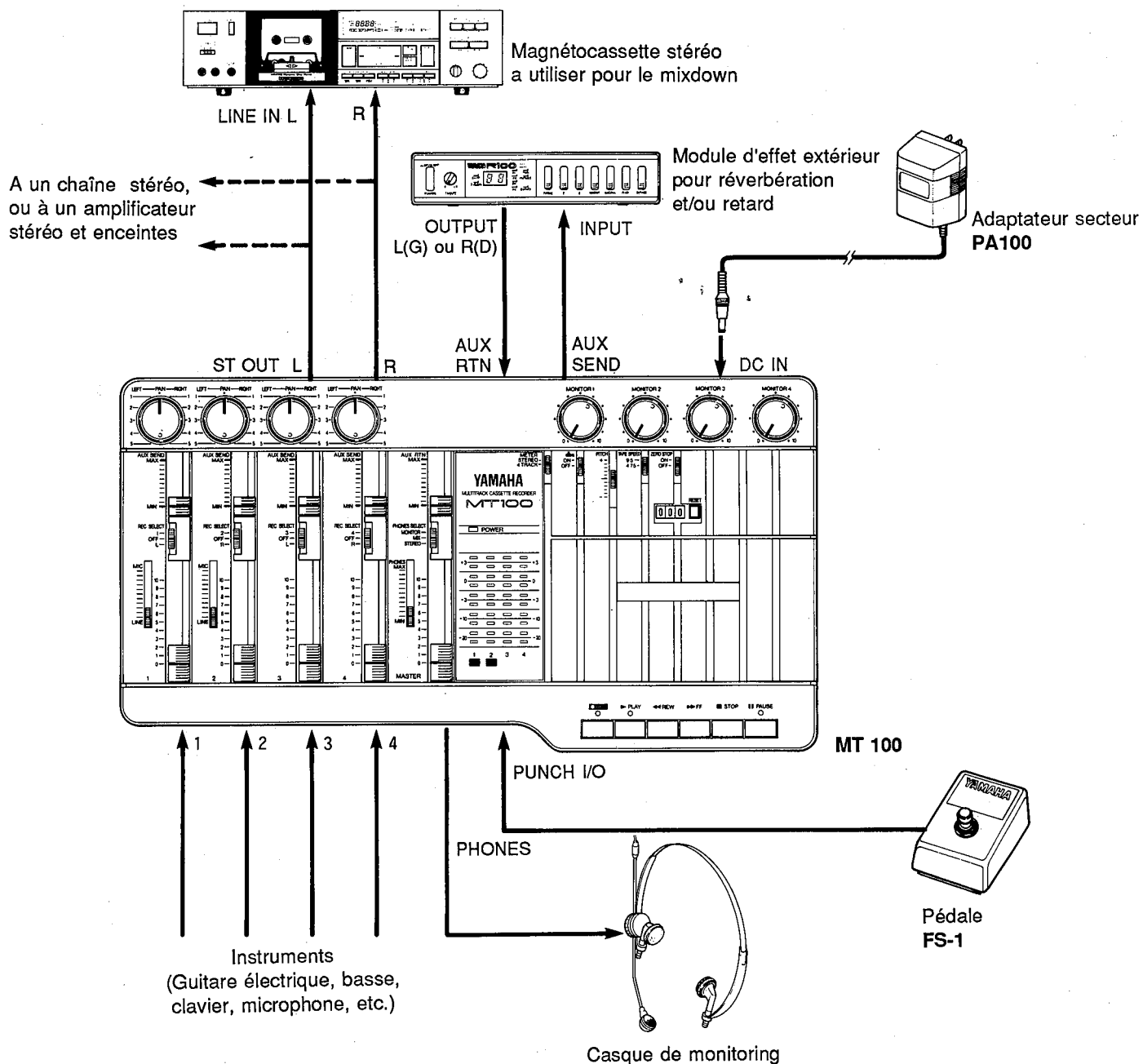
⑩ **Interrupteur d'alimentation (POWER)**

Appuyer une première fois sur l'interrupteur POWER pour mettre l'appareil sous tension et une deuxième fois pour le mettre hors tension. Lorsque le MT100 est sous tension, le témoin d'alimentation à LED, situé au-dessus des indicateurs de crête sur la face avant, s'allume.

Remarque: Ceux qui ont l'habitude des schémas de principe des équipements électroniques peuvent se reporter au "SCHEMA DE PRINCIPE" à la page 41 pour avoir une vue d'ensemble de tous les circuits du MT100.

EXEMPLES DE CONNEXIONS

— CONNEXIONS DE BASE —



* Mettre tous les appareils hors tension avant d'effectuer les raccordements.

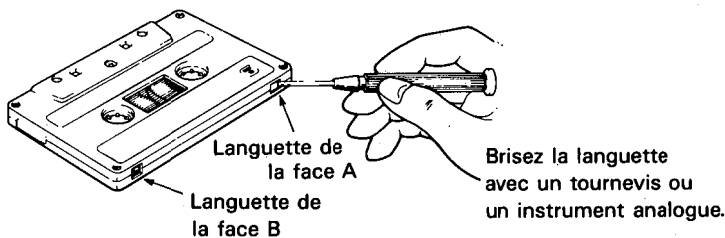
CHOIX ET MANIPULATIONS DES CASSETTES

Cet appareil a été conçu pour utiliser uniquement des bandes au Chrome et ne fonctionnera pas correctement avec des cassettes de type Ferrichrome. Utilisez donc uniquement des bandes au CrO₂ (Bias: HIGH; EQ: 70µs). Les cassettes de type C-120 sont également déconseillées en raison de leur pauvre rendement et des problèmes fréquents qu'elles occasionnent.

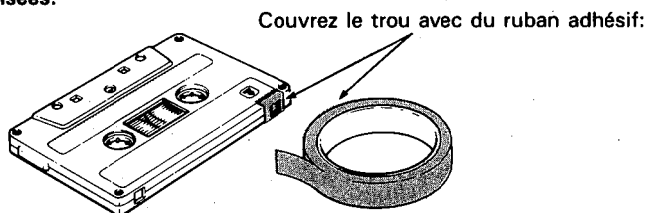
● PROTECTION DE VOS ENREGISTREMENTS

Afin d'éviter un effacement accidentel d'enregistrements de valeur, les cassettes sont pourvues de languettes de protection sur le sommet du boîtier. Si vous brisez une languette au moyen d'un tournevis ou d'un instrument analogue, il ne sera plus possible d'enregistrer sur la face correspondant à la languette brisée. Cette opération simple protégera vos enregistrements de tout effacement accidentel. Pour les enregistrements à quatre pistes, il est nécessaire de briser les languettes de faces A et B de la cassette. Lorsque vous désirez ré-enregistrer sur une cassette dont les languettes ont été brisées, il vous suffit de recouvrir les trous (les endroits où se trouvaient les languettes) avec du ruban adhésif.

- Pour éviter tout effacement accidentel:



- Pour enregistrer sur une cassette dont les languettes ont été brisées:



● LIRE DES CASSETTES ENREGISTREES SUR D'AUTRES ENREGISTREURS A CASSETTES

Lorsque vous lisez des cassettes à bande normale ou des cassettes enregistrées avec filtre de réduction du niveau de bruit Dolby B, nous vous recommandons d'effectuer les opérations suivantes:

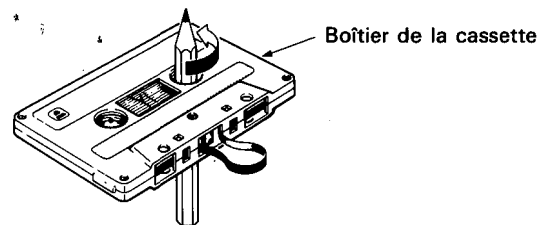
- 1) Lorsque vous lisez des cassettes à bande normale: Déplacez le curseur de l'équaliseur HI vers le "+" afin d'amplifier les hautes fréquences jusqu'à ce que le son soit satisfaisant.

- 2) Lorsque vous lisez des cassettes enregistrées avec Dolby B NR:

Mettez le commutateur dbx sur la position "OFF" et déplacez le curseur de l'équaliseur HI dans la direction du "-" afin de réduire les hautes fréquences jusqu'à ce que le niveau du son soit satisfaisant.

● CORRECTION DU MOU DE LA BANDE

Lorsque la bande n'est pas suffisamment tendue ou sort du boîtier de la cassette, elle risque de s'enrouler autour du cabestan ou du galet. Pour remédier à cette situation, insérez un crayon ou un stylo à bille dans l'une des roues et tournez jusqu'à ce que la bande soit à nouveau tendue.



● RANGEMENT DES CASSETTES

Pour éviter que la bande ne se détende, bloquez-la ou remettez la cassette dans sa boîte. Ne rangez pas vos cassettes dans des endroits exposés aux rayons du soleil ni dans des endroits trop chauds ou trop humides. Evitez également d'exposer vos cassettes à des champs magnétiques tels que ceux existant à proximité des appareils de télévision ou des haut-parleurs car ces champs magnétiques sont susceptibles d'effacer ou d'altérer sensiblement les enregistrements.

METHODE D'ENREGISTREMENT

Enregistrer au moyen du MT100 est une opération très simple. Il suffit d'avoir le MT100, un casque d'écoute et un instrument ou un microphone, ou une autre source de signaux.

L'essentiel de la méthode d'enregistrement multipiste peut être résumé de la manière suivante:

1. Enregistrement de la première piste

- a) Affectation canal/piste
- b) Réglage du niveau d'enregistrement
- c) Enregistrement

2. Surmixage des pistes restantes

- a) Affectation canal/piste
- b) Réglage du niveau d'enregistrement de chaque surmixage
- c) Enregistrement des surmixages

3. Enregistrement en ping-pong et surmixage de pistes supplémentaires (si nécessaire)

4. Mixdown

- a) Réglage en vue du monitoring du mixage
- b) Préparation d'un mixage approximatif et addition d'effets
- c) Préparation définitive et répétition du mixage
- d) Raccordement des prises ST OUT du MT100 à un magnétocassette stéréo
- e) Enregistrement (sur un magnétocassette stéréo à partir du MT100)

Ces étapes (de même que la signification des termes d'enregistrement utilisés) seront expliquées en détail plus loin, aussi il est conseillé de lire les chapitres suivants dans l'ordre, afin de se faire une idée claire de la méthode d'enregistrement.

ENREGISTREMENT DE LA PREMIERE PISTE

ETAPE 1: AFFECTATION CANAL/PISTE

La première étape de tout enregistrement est d'affecter le canal auquel l'instrument, ou une autre source, est connecté à une des pistes de l'étage enregistreur.

Selon ce qui est enregistré, il peut s'avérer nécessaire d'enregistrer un seul instrument (ou une autre source) sur une seule piste de l'étage enregistreur, ou de combiner plusieurs instruments (ou plusieurs autres sources) et de les enregistrer sur une même piste. Le MT100 offre deux méthodes "d'affectation canal/piste" pouvant être utilisées séparément ou conjointement afin d'obtenir l'affectation de canal souhaitée.

Affectation canal/piste directe

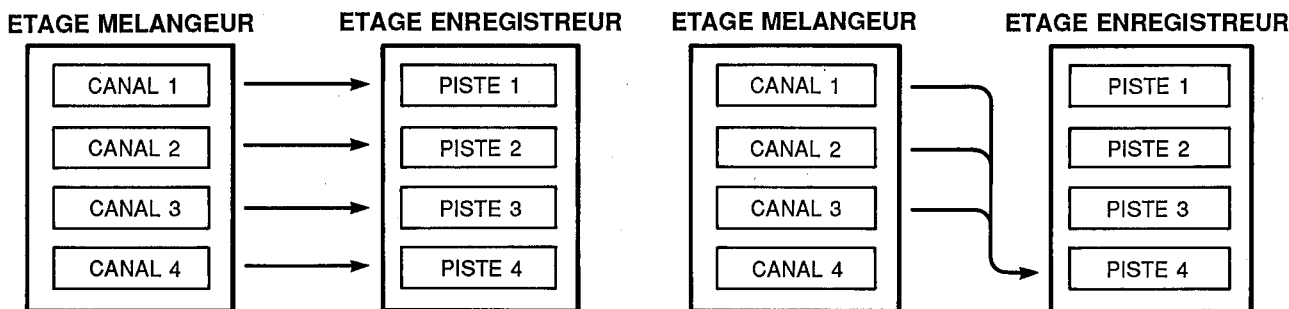
Avec cette méthode, les signaux de l'instrument ou de la source connecté à un des canaux de l'étage mélangeur sont appliqués directement à la piste de l'étage enregistreur ayant le même numéro. Il est possible de cette manière d'enregistrer une seule piste ou les quatre pistes simultanément.

Dans le cas d'affectation canal/piste directe, le sélecteur REC SELECT du canal (ou des canaux) à enregistrer doit être mis sur un "numéro" (1, 2, 3 ou 4). Par exemple, si le sélecteur REC SELECT du canal 1 est mis sur "1", les signaux du canal 1 seront directement transmis à la piste 1 de l'étage enregistreur. Il en est de même pour tous les autres canaux et pistes.

Affectation canal/piste panoramique

La méthode d'affectation canal/piste panoramique permet d'affecter plusieurs des canaux de l'étage mélangeur à une seule piste de l'étage enregistreur, ou un seul canal à plusieurs pistes.

Chaque sélecteur REC SELECT a soit une position "L", soit une position "R". Ces positions correspondent aux canaux gauche (L) et droit (R) de la sortie de l'étage mélangeur. Si un sélecteur REC SELECT est mis, par exemple, sur la position "L", n'importe quel canal peut alors être affecté à la piste ayant le même numéro en tournant la commande PAN à fond vers la position "LEFT". Il est possible, par exemple, d'affecter le canal 1 à la piste 4 en mettant le sélecteur REC SELECT sur "R" et la commande PAN du canal 1 à fond sur la position "RIGHT". L'exemple d'affectation illustré ci-dessous est obtenu en mettant le sélecteur REC SELECT du canal 4 sur "R" et les commandes PAN des canaux 1, 2 et 3 à fond sur la position "RIGHT". La commande PAN du canal 4 est mise à fond sur la position "LEFT" afin d'empêcher que ses signaux soient dirigés vers la piste 4 de l'étage enregistreur.



ETAPE 2: PREPARATION DU SYSTEME DE MONITORING

Une fois qu'une source est connectée à un canal d'entrée et que ce canal est affecté à une des pistes de l'étage enregistreur, il est nécessaire de préparer le système de monitoring qui permettra de contrôler la piste au fur et à mesure de l'enregistrement.

Monitoring par casque d'écoute

Le monitoring par l'intermédiaire d'un casque connecté à la prise PHONES est le moyen de contrôle le plus souple et il est conseillé dans le cas d'enregistrements ordinaires. Le sélecteur PHONES SELECT permet de sélectionner le signal voulu et d'effectuer le monitoring de la manière suivante:

MONITOR: Dans cette position seule la sortie des quatre pistes de l'étage enregistreur est envoyée directement à la prise PHONES via les quatre commandes MONITOR. Les commandes MONITOR sont utilisées pour préparer le "mixage" de monitoring. Ce moyen est idéal pour le monitoring général parce qu'il permet de préparer un mixage de contrôle indépendamment des potentiomètres de canaux. Les matériaux déjà enregistrés sur l'une des pistes d'enregistrement sont envoyés à la prise PHONES par l'intermédiaire de la commande MONITOR correspondante, à condition que les sélecteurs REC SELECT des canaux de lecture soient sur la position "OFF". Le son des instruments ou d'autres sources affectés à l'une des pistes d'enregistrement est également envoyé à la prise PHONES par l'intermédiaire des commandes MONITOR correspondantes.

MIX: La sortie des quatre pistes de l'étage enregistreur (via les commandes MONITOR) et la sortie stéréo de l'étage mélangeur sont transmises à la prise PHONES.

STEREO: Seule la sortie stéréo de l'étage mélangeur est transmise à la prise PHONES. Ce réglage est pratique pour effectuer le mixdown d'un enregistrement multipiste terminé, car il permet d'écouter le mixage produit par les potentiomètres des canaux de l'étage mélangeur avec un effet ajouté au moyen des commandes AUX SEND et AUX RTN pendant la réalisation du mixage. Veiller à ce qu'aucune source ne soit connectée à l'une des entrées de l'étage mélangeur pendant la réalisation du mixage afin que les sorties de l'étage enregistreur soient dirigées vers les entrées de l'étage mélangeur.

Monitoring via un système de sonorisation avec enceintes acoustiques

Il est également possible pour effectuer le monitoring d'utiliser une chaîne stéréo avec enceintes acoustiques, ou une paire d'enceintes de monitoring indépendantes (comme par exemple le système d'enceinte de monitoring YAMAHA MS101) connectées aux prises ST OUT L et R du MT100. Lors du monitoring via un système de sonorisation, seules la sortie stéréo de l'étage mélangeur du MT100 peut être contrôlée. C'est la même situation que dans le cas du monitoring par casque avec le sélecteur PHONES SELECT sur la position STEREO. L'utilisation d'un système de sonorisation n'est donc par essentielle pour le monitoring d'enregistrements ordinaires, par contre elle est vivement conseillée pour la réalisation du mixdown du fait qu'elle permet de contrôler le mixage dans des conditions plus proches des conditions d'écoute réelles de la bande, à savoir via un système de sonorisation et des enceintes acoustiques.

Remarque: Les enceintes ne doivent pas être utilisées pour le monitoring en cas d'enregistrement par microphone, du fait que le son de contrôle sera piqué par le microphone ce qui gâchera l'enregistrement.

ETAPE 3: REGLAGE DES NIVEAUX D'ENREGISTREMENT

Le réglage de niveaux d'enregistrement optima est absolument essentiel pour obtenir un enregistrement dont la qualité sera la meilleure possible.

1. Commencer en réglant à la position minimale ("0") le potentiomètre du canal devant être utilisé et en réglant la commande d'équilibrage MIC/LINE à fond vers LINE (en cas d'enregistrement via le canal 1 ou le canal 2).
2. Une fois que tous les réglages sont effectués, lancer la lecture de la source au niveau le plus élevé (le plus fort) auquel elle sera jouée pendant l'enregistrement.
3. Régler le potentiomètre MASTER à "7" ou "8" et augmenter progressivement le réglage des potentiomètres de canaux jusqu'à ce que la source puisse être entendue et que l'indicateur de crête à LED commence à s'allumer. Si la source est un instrument électrique (guitare ou basse) ou un microphone et que l'enregistrement se fait via le canal 1 ou le canal 2, il est possible qu'il soit nécessaire de faire coulisser la commande MIC/LINE vers la position MIC afin

d'obtenir une lecture suffisamment élevée. Régler le potentiomètre de canal (et le cas échéant la commande MIC/LINE) de manière à ce que la lecture de l'indicateur soit généralement entre "0" et "+3". Idéalement parlant, le potentiomètre de canal devrait être réglé à "7" ou "8" pour obtenir la lecture indiquée ci-dessus. Ceci à pour but d'assurer le rapport signal/bruit le meilleur possible tout en laissant une plage positive et négative suffisante pour effectuer les réglages ultérieurs. Si le réglage du potentiomètre est loin des valeurs préconisées, essayer d'utiliser la commande de volume de l'instrument ou autre source pour obtenir la lecture optimale avec le potentiomètre réglé entre "7" et "8".

ETAPE 4: ENREGISTREMENT

Une fois que l'affectation du canal d'entrée à une piste d'enregistrement, le contrôle des réglages de monitoring et le réglage du niveau optimal d'enregistrement ont été effectués, il ne reste plus qu'à enregistrer.

1. S'assurer qu'une cassette est en place dans le compartiment et qu'elle est rembobinée jusqu'au point où l'enregistrement doit commencer. Il est conseillé alors de remettre le compteur de bande à "000", au moyen de la touche RESET, afin de pouvoir plus tard retrouver automatiquement le début de l'enregistrement en utilisant la fonction ZERO STOP.
2. Appuyer sur la touche REC et ensuite sur la touche PLAY pour lancer l'enregistrement, attendre quelques secondes et commencer à jouer.
3. Lorsque l'enregistrement de la piste est terminé, appuyer sur la touche STOP, mettre le sélecteur REC SELECT de la piste qui vient d'être enregistrée sur "OFF", rembobiner la bande (la bande s'arrêtera automatiquement lorsque le compteur est à "000" si la commande ZERO STOP est sur "ON").

4. Lancer la lecture de l'enregistrement (appuyer sur la touche PLAY) et l'écouter pour vérifier que tout est bien comme prévu.

Remarque: Lors de l'enregistrement de la première piste, il est vital d'enregistrer une ou deux mesures de "repérage" avant de commencer à jouer effectivement de l'instrument car, dans le cas contraire, il s'avèrera des plus difficile de synchroniser le début de la seconde piste avec celui de la première.

SURMIXAGE

Le surmixage est un procédé qui consiste à enregistrer une nouvelle piste (ou plusieurs) tout en monitorant les pistes déjà enregistrées. En cas d'enregistrement sur quatre pistes, il est possible de surmixer sans problème la deuxième, la troisième et la quatrième pistes. Par contre, en cas d'utilisation de la technique d'enregistrement en "ping-pong" en vue d'enregistrer sur plus de quatre pistes, n'enregistrer que les trois premières pistes et passer ensuite à l'étape en ping-pong (voir "ENREGISTREMENT EN PING-PONG" à la page 36).

1. Connecter l'instrument ou autre source à enregistrer à une entrée de canal disponible.
2. S'assurer que les sélecteurs REC SELECT des pistes déjà enregistrées sont sur la position "OFF" afin qu'elles ne soient pas effacées lors de l'enregistrement de la nouvelle piste.
3. Faire l'affectation canal/piste pour la nouvelle piste.
4. Vérifier les réglages de monitoring pour s'assurer qu'il sera possible de contrôler aussi bien la piste (ou les pistes) déjà enregistrée que la nouvelle piste à enregistrer (le sélecteur PHONES SELECT doit normalement être sur la position MONITOR en cas de monitoring par casque d'écoute).
5. Régler le niveau d'enregistrement de la nouvelle piste.
6. Il est possible maintenant de "répéter" le surmixage sans l'enregistrer en lançant la lecture des pistes déjà enregistrées et en jouant le nouveau morceau.
7. Rembobiner la bande jusqu'au début du morceau et commencer à enregistrer.

Les mêmes étapes sont à refaire pour le surmixage des pistes 3 et 4.

ENREGISTREMENT EN PING-PONG

L'enregistrement en ping-pong est une technique permettant d'enregistrer plus de 4 parties avec une machine à 4 pistes.

L'enregistrement en ping-pong permet, par exemple, d'enregistrer sur les pistes 1, 2 et 3 et de réenregistrer ces pistes sur la piste 4 en utilisant les commandes de mixage pour régler l'équilibre entre les 3 pistes d'origine. La piste 4 contient alors un "mixage" des 3 pistes et les pistes 1, 2 et 3 sont disponibles pour effectuer de nouveaux enregistrements. Ceci est déjà l'équivalent de 6 "pistes" sur un enregistreur à 4 pistes. Pendant le mixage des 3 premières pistes dans la piste 4, il est également possible d'ajouter un instrument via l'étage mélangeur du MT100. Ceci permet d'avoir 4 parties enregistrées sur la piste 4 de la bande. Avec les 3 autres pistes toujours disponibles pour l'enregistrement cela donne un total de 7 pistes. Si maintenant on n'enregistre que 2 des pistes restantes et qu'on les enregistre en "ping-pong" sur la piste 3 tout en ajoutant un autre instrument, on obtient alors 4

parties sur la piste 4, 3 parties sur la piste 3, plus 2 pistes disponibles; soit un total de 9. En appliquant toujours cette méthode, il est en fait possible d'enregistrer jusqu'à 10 pistes individuelles sans réenregistrer une seule piste plus d'une fois (voir l'illustration).

Remarque: La réalisation de l'enregistrement en ping-pong est une étape difficile car les pistes en faisant l'objet doivent être parfaitement mélangées avant de pouvoir passer à l'enregistrement des pistes suivantes. Ceci est dû au fait qu'une fois le ping-pong réalisé et le nouveau matériau enregistré sur les pistes d'origine, leur équilibre et leur son individuels ne peuvent plus être modifiés à moins de revenir en arrière et de recommencer à zéro l'enregistrement de ces pistes.

EXEMPLE: Enregistrement des pistes "1" à "10" par la technique en ping-pong.

	Enregistrer les parties 1, 2 et 3.	Enregistrer en ping-pong les pistes 1,2 et 3 sur la piste 4 tout en ajoutant la partie 4.	Enregistrer les parties 5 et 6.	Enregistrer en ping-pong les pistes 5 et 6 sur la piste 3 tout en ajoutant la partie 7.	Enregistrer la partie 8.	Déplacer 8 sur la piste 2 tout en ajoutant la partie 9.	Enregistrer 10, la dernière partie.
PISTE 1	1		5		8		10
PISTE 2	2		6			8 + 9	8 + 9
PISTE 3	3			5, 6 + 7	5, 6 + 7	5, 6 + 7	5, 6 + 7
PISTE 4		1, 2, 3 + 4	1, 2, 3 + 4	1, 2, 3 + 4	1, 2, 3 + 4	1, 2, 3 + 4	1, 2, 3 + 4

EXEMPLE D'UN ENREGISTREMENT EN PING-PONG

Ci-dessous est un exemple de la manière de procéder pour réenregistrer en ping-pong sur la piste 4 les matériaux déjà enregistrés sur les pistes 1, 2 et 3.

Les commandes doivent être réglées de la manière suivante:

•Prises d'entrée

S'assurer que rien n'est connecté aux prises d'entrée de l'étage mélangeur.

•Potentiomètres de canal

Commencer par régler les potentiomètres des canaux 1 à 3 à "7" environ et régler celui du canal 4 à "0".

•Sélecteurs REC SELECT

Les sélecteurs REC SELECT des canaux 1 à 3 doivent être sur la position "OFF" et celui du canal 4 doit être sur "R".

•Commandes AUX SEND

Régler pour le moment les quatre commandes AUX SEND sur la position MIN.

•Commandes PAN

Du fait que le sélecteur REC SELECT du canal 4 est réglé sur "R", les commandes PAN des canaux 1 à 3 doivent être tournées à fond dans le sens des aiguilles d'une montre (droite) pour affecter les signaux des pistes 1, 2 et 3 à la piste 4 de la bande. La commande PAN du canal 4 peut être réglée à la position centrale.

•Commande AUX RTN

La régler pour le moment sur MIN.

•Sélecteur PHONES SELECT

Le régler sur MIX afin de n'entendre que les signaux de l'étage enregistreur du MT100.

•Commandes MONITOR

Tourner les commandes MONITOR des canaux 1 à 3 à fond dans le sens contraire des aiguilles d'une montre et

mettre celle du canal 4 à la position centrale ou à la position donnant le meilleur niveau de contrôle.

1. Lancer la lecture de la bande (ne pas appuyer pour le moment sur la touche REC). Augmenter progressivement le réglage du potentiomètre du canal 4 jusqu'à ce qu'il soit possible d'entendre les pistes qui viennent d'être enregistrées et que la lecture de l'indicateur du canal 4 soit autour de "0". Régler la commande MONITOR 4 de manière à avoir un niveau de contrôle confortable.
2. Régler les potentiomètres des canaux 1, 2 et 3, en faisant très attention, de manière à obtenir l'équilibre voulu entre les trois premières pistes. A noter que pendant le réglage de l'équilibre entre les pistes, la lecture de l'indicateur 4 peut fluctuer considérablement. Il sera nécessaire de compenser cela lors des réglages du mixage de ping-pong à l'aide du potentiomètre du canal 4.
3. Lorsque tous les réglages ont été correctement effectués, rembobiner la bande jusqu'au début et lancer l'enregistrement. Attendre que l'enregistrement en ping-pong soit terminé, puis arrêter l'enregistreur. Lancer la lecture de la bande et écouter attentivement la piste qui vient de faire l'objet du ping-pong. Si quelque chose ne semble pas correct, revenir en arrière et recommencer l'enregistrement en ping-pong. Il est possible de recommencer autant de fois que nécessaire jusqu'à ce que les résultats obtenus soient parfaits, passer ensuite à l'étape suivante.
4. Surmixer et procéder, si nécessaire, à l'enregistrement en ping-pong des pistes restantes.

MIXDOWN

Le "mixdown" est la dernière étape du processus d'enregistrement au cours de laquelle la bande originale multipiste est transformée en une bande originale mono ou stéréo qui est de fait l'objet fini. Cette étape demande le réenregistrement de la bande multipiste, via l'étage mélangeur du MT100, sur un magnétocassette stéréo classique, tout en apportant la touche finale à l'équilibrage des pistes pour obtenir exactement le son recherché. Les pistes peuvent être progressivement affaiblies ou accentuées, si besoin est, et une égalisation ou une réverbération d'ensemble peut être ajoutée en utilisant des processeurs de signaux externes. Les commandes PAN de l'étage mélangeur peuvent être utilisées pour positionner chaque piste à l'emplacement voulu dans l'image stéréo et il est même possible de balayer un son d'un canal à l'autre afin de créer un effet dramatique.

Les commandes doivent être réglées de la manière suivante:

•Prises d'entrée

S'assurer que rien n'est connecté aux prises d'entrée de l'étage mélangeur.

•Potentiomètres de canal

Régler tous les canaux à "0".

•Sélecteurs REC SELECT

Tous les sélecteurs REC SELECT doivent être sur la position "OFF".

•Commandes AUX SEND

Régler pour le moment les quatre commandes AUX SEND sur la position MIN.

•Commandes PAN

Commencer avec toutes les commandes PAN réglées à la position centrale.

•Potentiomètre MASTER

Le régler à "7" ou "8".

•Commande AUX RTN

La régler pour le moment sur MIN.

•Sélecteur PHONES SELECT

Le régler sur STEREO en cas de mixage en utilisant un casque d'écoute. Nous préconisons l'utilisation d'un système de sonorisation externe ou d'une paire d'enceintes de monitoring indépendantes (comme par exemple le système d'enceinte de monitoring YAMAHA MS101) pour effectuer le mixdown. Dans un tel cas le réglage du sélecteur PHONES SELECT ne joue aucun rôle.

•Commandes MONITOR

Tourner toutes les commandes MONITOR à fond dans le sens contraire des aiguilles d'une montre.

•Sélecteur METER

4 TRACK.

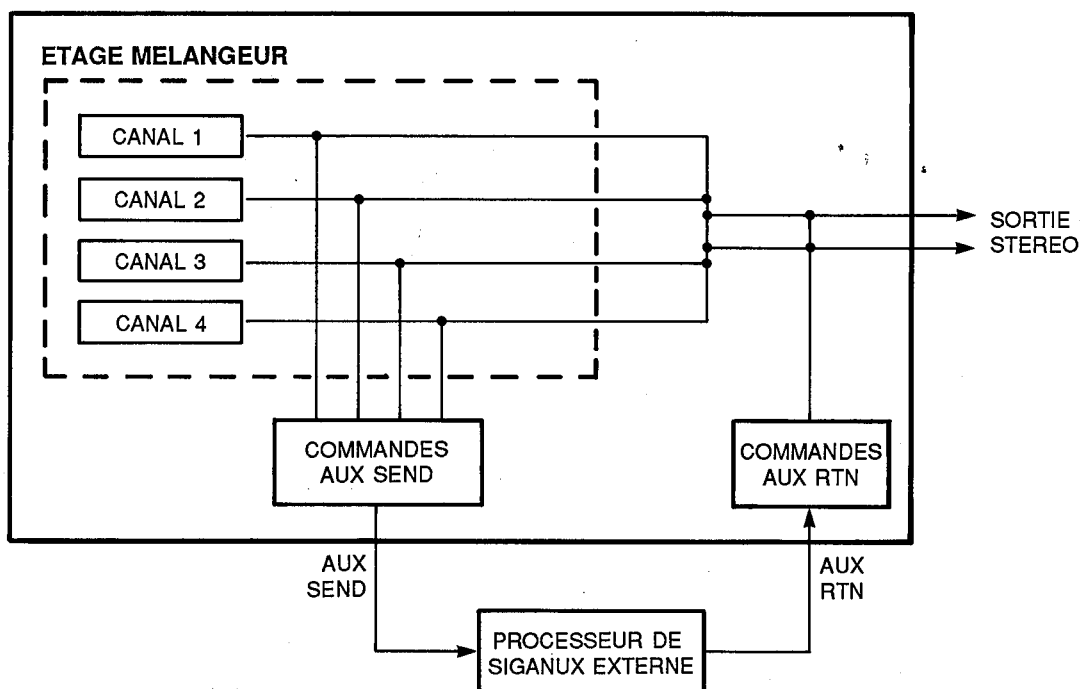
•Interrupteur dbx

Si l'enregistrement a été commencé avec l'interrupteur dbx sur "ON" le laisser sur "ON". S'il était sur "OFF", le laisser sur "OFF".

1. Choisir une position d'écoute centrale confortable faisant face aux enceintes de monitoring.
2. Ecouter, évaluer et régler individuellement le son de chaque piste. Ceci signifie augmenter le cas échéant le réglage du potentiomètre d'une seule piste ou ajouter des effets ou autres traitements de signaux et recommencer le même processus pour chacune des pistes jusqu'à ce que toutes les pistes aient été soigneusement contrôlées. Si un dispositif externe de traitement des signaux, comme par exemple le processeur de réverbération YAMAHA R100, est connecté aux prises AUX SEND/RTN de la manière décrite au chapitre suivant (UTILISATION DE LA BOUCLE TRANSMISSION/RETOUR), il suffit de sélectionner l'effet voulu sur le processeur de signaux et de l'ajouter à chaque piste en utilisant les commandes AUX SEND. La commande AUX RTN doit également être réglée à un niveau approprié.
3. Lorsque chaque piste a été individuellement contrôlée, mettre tous les potentiomètres de canaux à "7" ou "8" et lancer la lecture de la bande. Régler les potentiomètres de manière à obtenir le meilleur équilibre d'ensemble possible. Régler maintenant les commandes PAN afin de placer chaque piste sur la position voulue dans le champ sonore stéréo. Ecouter à nouveau très attentivement: y a-t-il trop ou pas assez de réverbération sur une piste? Régler à nouveau les commandes AUX SEND pour obtenir l'effet recherché. L'équilibre n'est pas parfait? Régler jusqu'à ce qu'il soit satisfaisant. Nous préconisons également de répéter les affaiblissements ou effets pan éventuellement prévus pour l'enregistrement du mixage.
4. Lorsque tout est en ordre, passer aux préparations en vue de l'enregistrement. Connecter les prises ST OUT du MT100 aux entrées d'un magnétocassette stéréo. Brancher le casque d'écoute à la prise de casque du magnétocassette stéréo pour écouter pendant l'enregistrement, ou le laisser connecté à la prise PHONES du MT100 et écouter en mettant le sélecteur PHONES SELECT sur la position STEREO. Utiliser les commandes de réglage de niveau du magnéto-cassette stéréo et, le cas échéant, le potentiomètre MASTER du MT100 pour obtenir le niveau d'enregistrement optimal. Une fois cela effectué, lancer l'enregistrement. Le potentiomètre MASTER du MT100 peut également être utilisé pour ajouter un affaiblissement progressif à la fin du morceau.

UTILISATION DE LA BOUCLE TRANSMISSION/RETOUR

Les commandes AUX SEND du MT100 fonctionnent comme un mélangeur auxiliaire dont les signaux d'entrée proviennent des quatre canaux de l'étage mélangeur et qui combine ces signaux en un signal mono sorti via la prise AUX SEND (voir le schéma suivant). Il est possible d'utiliser les commandes AUX SEND pour créer un "mixage avec effet", entièrement indépendant du mixage principal, en appliquant l'effet requis aux signaux de chaque canal. Le signal AUX SEND est transmis à l'entrée d'un processeur de signaux externe (reverb, écho ou autre), alors que la sortie du processeur de signaux est renvoyée à la prise AUX IN. Le niveau du signal reçu par la prise AUX IN peut être réglé à l'aide de la commande AUX RTN et le signal obtenu est mélangé au signal de sortie stéréo principal du MT100. Du fait que le signal de retour avec effet est mélangé au signal de sortie stéréo de l'étage mélangeur, la boucle AUX SEND/TRN est idéale pour ajouter des effets à chaque piste pendant la dernière étape de mixdown.



Remarque: Du fait que la boucle AUX SEND/RTN renvoie le signal avec effet aux sorties stéréo de l'étage mélangeur, des effets peuvent être ajoutés aux canaux pendant l'enregistrement en ping-pong, à condition d'avoir utilisé la méthode d'affectation canal/piste panoramique. La boucle AUX SEND/RTN ne peut pas être utilisée pour ajouter des effets pendant l'enregistrement de pistes ayant été affectées par la méthode d'affectation canal/piste directe.

ENREGISTREMENT PUNCH-IN/PUNCH-OUT

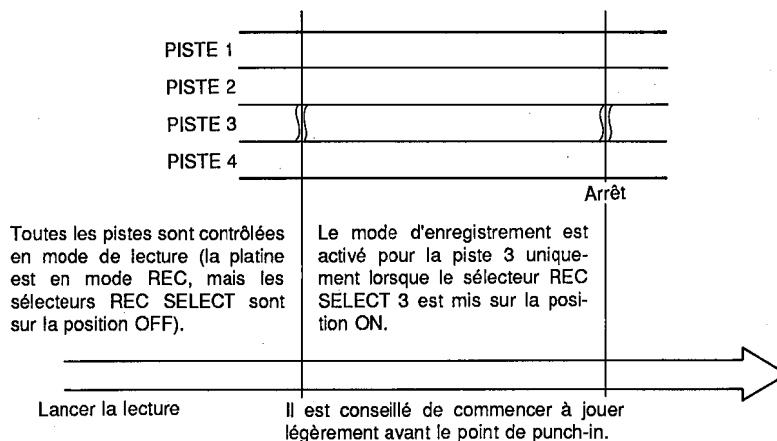
L'enregistrement "punch-in/punch-out" permet de réenregistrer un segment court sur une piste dans le but de corriger une erreur ou de "retoucher" un passage important. Le "punch-in" se fait au point de départ de l'enregistrement du nouveau segment et le "punch-out" à la fin, de sorte que les matériaux précédemment enregistrés ne sont pas effacés.

Punch-in/punch-out au moyen des sélecteurs REC SELECT

1. Mettre la platine en mode prêt à l'enregistrement, quelques mesures avant le début du segment à réenregistrer, en appuyant d'abord sur la touche REC et ensuite sur la touche PLAY et en mettant tous les sélecteurs REC SELECT sur la position OFF. Le témoin à LED rouge REC clignote pour indiquer que la platine est en mode prêt à l'enregistrement. Le sélecteur PHONES SELECT doit être mis sur MONITOR afin de pouvoir écouter toutes les pistes.
2. Choisir une interruption qui convienne dans la piste à corriger pour la passer au mode enregistrement (le punch-in se fait en mettant le sélecteur REC SELECT de cette piste sur la position d'enregistrement appropriée) et commencer à jouer le nouveau segment à enregistrer. Le témoin à LED rouge REC restera allumé continuellement dès que le sélecteur REC SELECT est mis sur la position d'enregistrement.
3. A la fin du segment réenregistré, remettre la piste en mode de lecture (le punch-out se fait en remettant le sélecteur REC SELECT de cette piste sur la position "OFF"). Le témoin à LED rouge REC recommencera alors à clignoter.

Punch-in/punch-out par pédale

1. Connecter une pédale YAMAHA FS-1 (en option) à la prise PUNCH I/O du MT100.
2. Mettre le sélecteur REC SELECT de la piste concernée sur la position d'enregistrement appropriée et appuyer sur la touche REC pour activer le mode REC/PAUSE. Le témoin à LED rouge REC devrait se mettre à clignoter au lieu de rester allumé continuellement. Si le témoin rouge REC reste continuellement allumé, appuyer une fois sur la pédale pour le faire clignoter.
3. Appuyer sur la touche PLAY pour mettre la platine en mode prêt à l'enregistrement.
4. Appuyer sur la pédale pour faire le punch-in. Le témoin à LED rouge REC reste alors allumé continuellement.
5. Appuyer sur la pédale une deuxième fois pour faire le punch-out. Le témoin à LED rouge REC recommencera alors à clignoter.

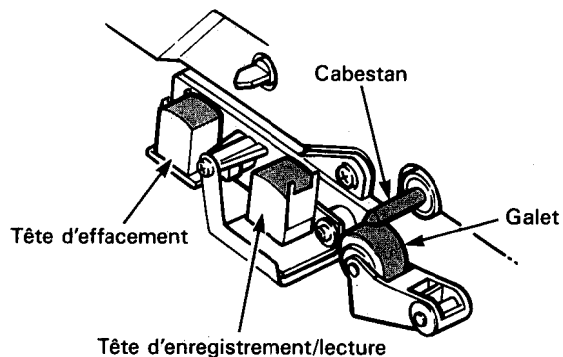


ENTRETIEN

Idéalement, les têtes, le galet et le cabestan devraient être nettoyés avant chaque enregistrement.

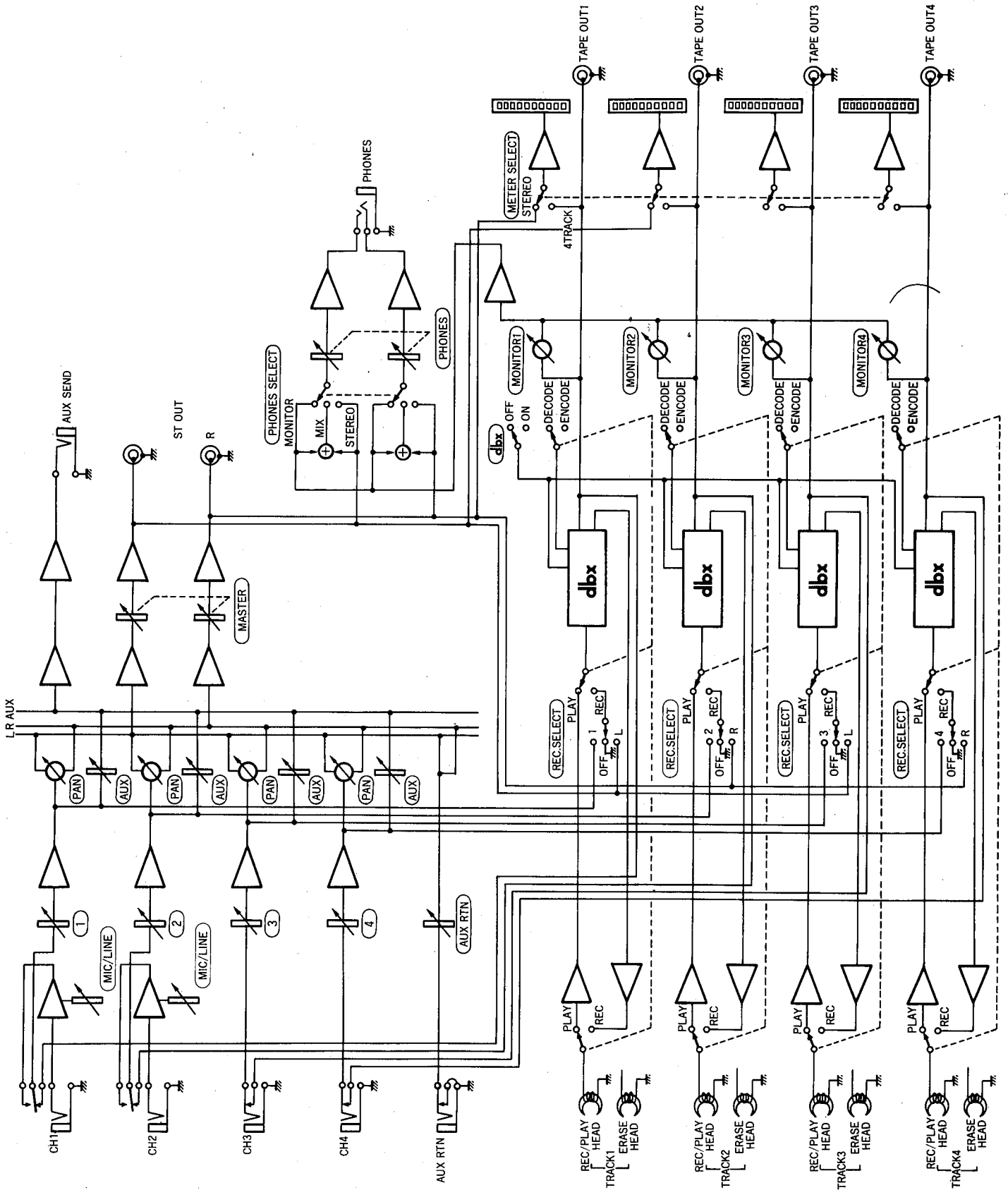
Lorsque l'enregistreur a été utilisé pendant un certain temps, les têtes, le galet et le cabestan deviennent sales, ce qui augmente le niveau de bruit et rend la rotation inégale. Il convient donc de nettoyer et de démagnétiser l'appareil à intervalles réguliers, afin de garantir en permanence un rendement optimal.

Utilisez des coton-tiges et de l'alcool dénaturé ou un produit spécial en vente dans la plupart des magasins de composants audio pour nettoyer les têtes, le cabestan et le galet. Pour réaliser de bons enregistrements, il est essentiel que les têtes soient toujours propres. Pour démagnétiser, utilisez un démagnétiseur de tête de bonne qualité et observez les instructions du mode d'emploi.



■ Veillez à ce que ces éléments soient toujours propres!

SCHEMA DE PRINCIPE



SPECIFICATIONS

TRANSPORT DE LA BANDE

Type de bande	<i>Chrome (70 microsec EQ)</i>
Têtes	<i>Tête lecture/enregistrement en permalloy 4 canaux Tête d'effacement en ferrite 4 canaux</i>
Vitesse de défilement	<i>4,75 cm/sec., 9,5 cm/sec.</i>
Réglage de vitesse	<i>± 10%</i>
Pleurage et scintillement	<i>Moins de 0,05% Weff</i>
Durée de rembobinement	<i>Environ 100 sec, pour une bande C-60</i>
Moteur	<i>Servo-moteurs CC (2)</i>

CONNECTEURS

Input 1 et 2	Impédance d'entrée	<i>10 kohms</i>
	Niveau d'entrée nominal	<i>-10dB à -50dB (potentiomètre nominal)</i>
	Niveau d'entrée maxi.	<i>+10dB (gain mini.)</i>
	Niveau d'entrée mini.	<i>-56dB (gain, potentiomètre maxi)</i>
Input 3 et 4	Impédance d'entrée	<i>10 kohms</i>
	Niveau d'entrée nominal	<i>-10dB (potentiomètre nominal)</i>
	Niveau d'entrée mini.	<i>-16dB (potentiomètre maxi)</i>
Aux Return	Impédance d'entrée	<i>10 kohms</i>
	Niveau d'entrée nominal	<i>-10dB (potentiomètre nominal)</i>
	Niveau d'entrée mini.	<i>-16dB (potentiomètre maxi)</i>
Stereo L et R	Impédance de sortie	<i>1 kohm</i>
	Impédance de charge	<i>Supérieure à 10 kohms</i>
	Niveau de sortie nominal	<i>-10dB sur 50 kohms</i>
Phones Out	Impédance de charge	<i>8 à 40 ohms</i>
	Niveau de sortie maxi.	<i>100mW + 100mW/40 ohms</i>
Tape Out 1 à 4	Impédance de sortie	<i>1 kohm</i>
	Impédance de charge	<i>Supérieure à 10 kohms</i>
	Niveau de sortie nominal	<i>-20dB sur 50 kohms</i>
Aux Send	Impédance de sortie	<i>1 kohm</i>
	Impédance de charge	<i>Supérieure à 10 kohms</i>
	Niveau de sortie nominal	<i>-10dB sur 50 kohms</i>

SPECIFICATIONS ELECTRIQUES

Réponse en fréquence	<i>40Hz à 18 kHz, ±3dB à 9,5 cm/sec. 40Hz à 12,5 kHz, ±3dB à 4,75 cm/sec.</i>
Rapport Signal/Bruit	<i>85dB, dbx "ON", IHF-A</i>
Distorsion	<i>Moins de 1%, 315 Hz</i>
Séparation entre canaux	<i>Plus de 55dB à 1 kHz</i>
Taux d'effacement	<i>Plus de 70dB à 1 kHz</i>
Réduction de bruit	<i>dbx*</i>

SPECIFICATIONS GENERALES

Alimentation secteur	<i>Modèles US et Canada: 120V CA, 60 Hz</i>
(Adaptateur secteur PA-100)	<i>Autres modèles: 220/240V CA, 50/60 Hz</i>
Dimensions (LxHxP)	<i>382 x 65 x 205 mm</i>
Poids	<i>2,5 kg</i>

** dbx est une marque de fabrique de "dbx incorporated"*

0dB=0.775 Vr.m.s.

Toutes les spécifications sont susceptibles d'être modifiées sans aucun avis préalable.

Deuts

MEHRSPUR-KASSETTENECK

MT 100

BEDIENUNGSANLEITUNG

HERZLICHEN GLÜCKWUNSCH

und vielen Dank für den Kauf des Mehrspur-Kassettendecks MT100, dem vielseitigen, kreativen Werkzeug zum Aufnehmen, Schneiden, Editieren und Wiedergeben von Klangmaterial. Dieses Mehrspur-Kassettendeck besticht durch seine einfache Bedienung und seine praxisbezogenen Funktionen. Ob Mikrofonaufnahmen von akustischen Instrumente oder Gesang, Aufzeichnungen von elektronischen Instrumenten und Tonquellen über die Direkteingänge, oder Kombination solch unterschiedlicher Aufnahmearten, das MT100 vereinfacht das Musikschaffen gewaltig. Sie können damit vier verschiedene Spuren aufzeichnen und miteinander abmischen, oder aber mit Hilfe der Pingpong-Mehrspurtechnik bis zu 10 verschiedene Stimmen aufzeichnen, eine nach der anderen, bis Sie das erwünschte Arrangement haben. Genauso einfach kann das MT100 mit einer Band eingesetzt werden. Und da das MT100 aus dem Hause YAMAHA kommt, sind überragende Klangqualität und Leistung natürlich Ehrensache. Um die vielseitigen Funktionen des MT100 und sein Potential voll ausschöpfen zu können, sollten Sie diese Anleitung aufmerksam durchlesen und sie zur späteren Bezugnahme sorgfältig aufbewahren.

INHALT

VORSICHTSMASSNAHMEN	45
BEDIENELEMENTE UND ANSCHLÜSSE	46
ANSCHLUSSBEISPIELE	51
GRUNDLEGENDES ÜBER CASSETTEN	52
AUFNAHME	53
AUFNAHME AUF DIE ERSTE SPUR	54
SCHRITT 1: KANAL/SPURZUWEISUNG	54
SCHRITT 2: AUFNAHMEÜBERWACHUNG	55
SCHRITT 3: AUSSTEUERN DER AUFNAHMEPEGEL	56
SCHRITT 4: AUFNAHME	56
SYCHRONAUFNAHME (OVERDUBBING)	57
PINGPONG-AUFNAHME (SPURMISCHAUFNAHME)	58
BEISPIEL FÜR EINE PINGPONG-AUFNAHME	58
MASTERMISCHUNG (STEREO-ABMISCHUNG)	59
VERWENDUNG DER AUX SEND/RTN-SCHLEIFE	60
PUNCH-IN/OUT-AUFNAHME (EINFÜGAUFNAHME)	61
PFLEGE	62
BLOCKDIAGRAMM	63
TECHNISCHE DATEN	64

VORSICHTSMASSNAHMEN

1. VOR DIREKTER SONNENEINSTRALUNG, HITZE, FEUCHTIGKEIT, STAUB UND VIBRATION SCHÜTZEN.

Das Gerät niemals an Orten aufstellen, wo es übermäßigem Staub, Feuchtigkeit oder hohen Temperaturen (z.B. in der Nähe von Heizkörpern oder Öfen) ausgesetzt ist. Ebenso Stellen vermeiden, an denen starke Vibrationen auftreten (Gefahr mechanischer Schäden am Gerät).

2. VOR STOSS SCHÜTZEN.

Starke Stöße können zu Schäden am Gerät führen. Daher das Gerät stets mit der gebotenen Umsicht behandeln.

3. KEINESFALLS DAS GERÄT ÖFFNEN ODER EIGENHÄNDIG REPARATUREN SOWIE VERÄNDERUNGEN VORNEHMEN.

Das MT100 enthält keine vom Laien zu wartenden Teile. Sämtliche Wartungs- und Reparaturarbeiten nur von qualifizierten YAMAHA-Kundendiensttechnikern ausführen lassen. Das Öffnen des Gehäuses und/oder Änderungen an internen Schaltkreisen bewirkt Garantieverlust.

4. VOR DEM ANSCHLIESSEN ODER ABTRENNEN VON KABELN DAS GERÄT AUSSCHALTEN.

Das Gerät stets vor dem Anschließen oder Abtrennen von Kabeln ausschalten, um das MT100 selbst sowie die angeschlossenen Geräte vor möglichen Schäden durch plötzliche Schaltimpulse zu bewahren.

5. KABEL VORSICHTIG BEHANDELN.

Zum Anschließen und Abtrennen die Kabel — auch das Netzkabel — stets an den Steckern anfassen.

6. MIT EINEM WEICHEN UND TROCKENEN TUCH REINIGEN

Zur Reinigung des Geräts keinesfalls Benzin oder Verdünner, sondern ein weiches, trockenes Tuch verwenden.

7. STETS AUF KORREKTE NETZSPANNUNG ACHTEN.

Das MT100 nur mit dem beiliegenden YAMAHA Netzadapter PA-100 betreiben. Andere Netzadapter können irreparable Schäden am MT100 verursachen.

8. KÖPFE UND BANDTRANSPORTWEG REGELMÄSSIG REINIGEN

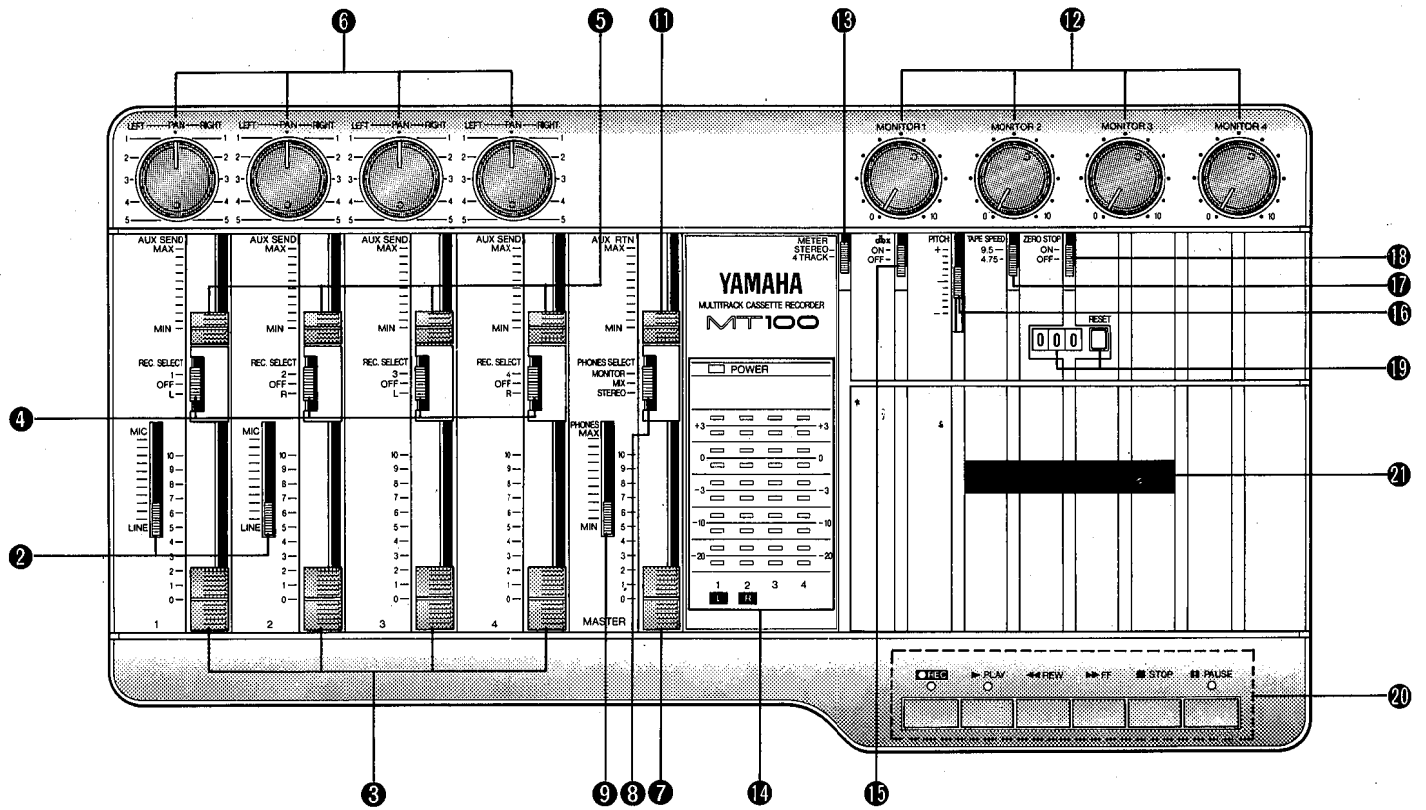
Saubere, Tonköpfe und ein sauberer Bandtransportmechanismus sind Voraussetzung für gute Leistungen des MT100. Daher die Köpfe und den Bandweg des MT100 regelmäßig (am besten vor jeder Aufnahme) reinigen. Dazu einen speziellen Reiniger für Kassettendecks verwenden.

9. NUR HOCHWERTIGE CHROMBAND-KASSETTEN VERWENDEN

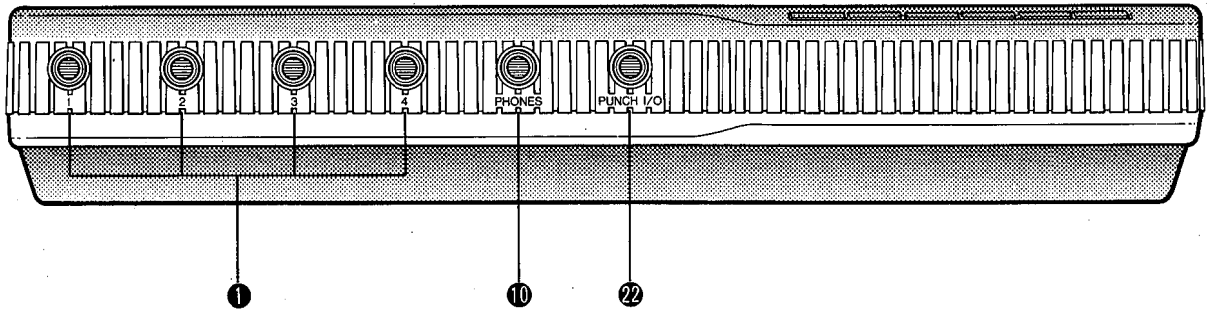
Das MT1000 ist ausschließlich auf Chromdioxidbänder kalibriert und kann mit anderen Bandsorten nicht die normalen Leistungen erbringen. Nur gute Markenbänder verwenden.

BEDIENELEMENTE UND ANSCHLÜSSE

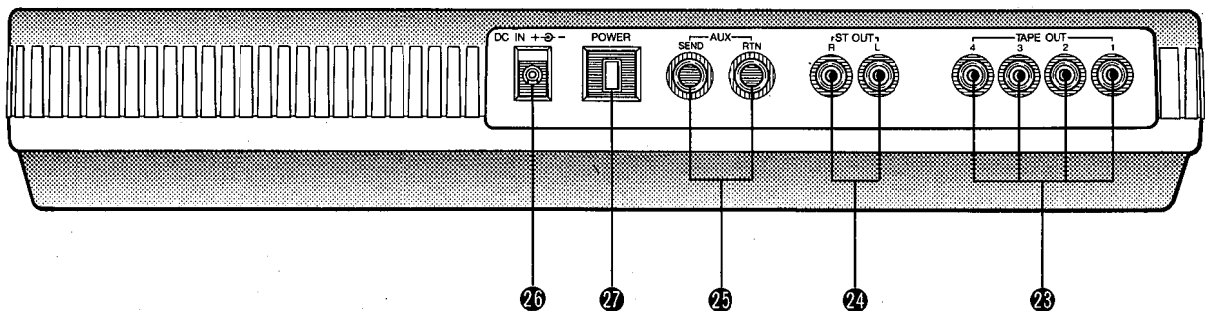
— STEUERELEMENTE —



— VORDERSEITE —



— RÜCKSEITE —



— KANÄLE UND SPUREN —

Die Begriffe "Kanal" und "Spur" in dieser Anleitung werden zur Unterscheidung zwischen den vier "Kanälen" des Mischmoduls im MT100 und den vier "Spuren" des Rekordermoduls verwendet. "Spur" bezieht sich auf die vier auf Band aufgezeichneten "Spuren".

① Eingänge 1 — 4

Diese vier Eingänge verarbeiten die Signale von hochpegeligen Quellen wie elektronische Musikinstrumente oder Kassettendecks. An die Eingänge 1 und 2 können die Signale von elektrischen Musikinstrumenten wie E-Gitarre oder E-Baß sowie Mikrofonensignale gelegt werden. Bei allen vier Eingängen handelt es sich um 1/4 Zoll Standard-Klinkensteckerbuchsen. Wenn eine Signalquelle an einen dieser Eingänge angeschlossen ist, wird deren Signal zu dem entsprechenden Kanal des im MT100 integrierten Mischmoduls gesendet.

Hinweis: Falls an einem Eingang keine Signalquelle angeschlossen ist, wird die entsprechende Spur des MT100 Rekorders automatisch auf diesen Kanal des Mischpults gelegt.

② MIC/LINE-Verstärkungstregler (Nur Kanal 1 und 2)

Die Verstärkungstregler dienen zum Abgleichen der Eingangsempfindlichkeit der Kanalzüge 1 und 2, um das MT100 auf einen großen Bereich von Eingangssignalpegeln, von Line bis Mikrofon, abstimmen zu können. Die Verstärkungstregler werden in Kombination mit den Fadern von Kanal 1 und 2 verwendet, um den optimalen Aufnahmepegel für einen weiten Bereich von Signalquellen einstellen zu können (siehe AUSSTEUERN DER AUFNAHMEPEGEL auf Seite 56)

③ Kanalfader

Bei den Kanalfadern handelt es sich um Überblendregler zum Einstellen des Signalpegels (Lautstärke) im entsprechenden Kanalzug des Mischmoduls des MT100. Dabei spielt es keine Rolle, ob das Signal von einer angeschlossenen Signalquelle oder vom Rekorderteil des MT100 kommt. Die Fader dienen bei der Aufnahme zur Pegelsteuerung und während der Wiedergabe zum Pegelabgleich (Balance), d. h. Abmischen der Rekorderspuren.

④ Aufnahmespur-Wahlschalter (REC SELECT)

Mit den REC SELECT-Wahlschaltern werden die einzelnen Kanalzüge des Mischmoduls entweder den entsprechenden Rekorderspuren direkt zugewiesen (zugeführt). In Verbindung mit den PAN-Reglern können Kanäle jedoch auch Spuren mit anderer Nummer zugeordnet werden (siehe KANAL/SPUR-ZUWEISUNG auf Seite 54).

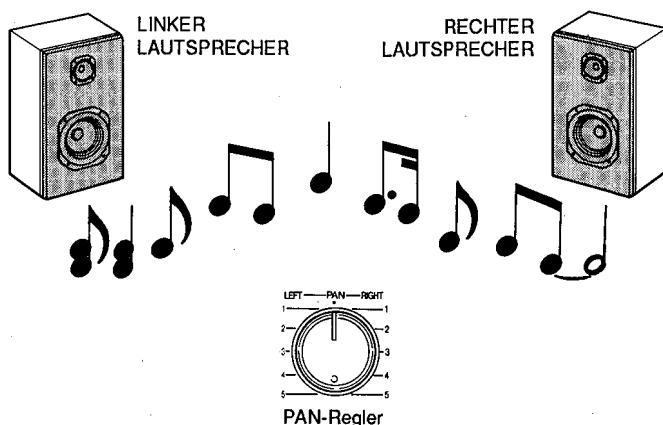
Hinweis: Wenn einer der REC SELECT-Schalter in einer anderen Stellung als OFF steht, blinkt die LED-Anzeige über der REC-Taste und weist darauf hin, daß das MT100 auf Aufnahmebereitschaft geschaltet ist.

⑤ Effektschleifenregler (AUX SEND)

Die AUX SEND-Regler werden in erster Linie beim Zuschalten von Effekten wie Nachhall oder Echo auf den einzelnen Kanalzügen oder Spuren verwendet. Die AUX SEND-Regler bestimmen, welcher Betrag des Signals auf diesem Kanal zur AUX SEND-Buchse gesendet wird. Dazu muß die AUX SEND-Buchse mit dem Eingang eines externen Signalprozessors wie dem YAMAHA R100 Nachhallprozessor verbunden werden (siehe "VERWENDUNG DER AUX SEND/RTN-SCHLEIFE" auf Seite 60).

⑥ Panoramaregler (PAN)

Mit den PAN-Reglern werden Signale des entsprechenden Kanalzugs des Mischmoduls im Stereobild positioniert. Falls ein PAN-Regler ganz auf LEFT gestellt ist, liegt das Signal des betreffenden Mischmodul-Kanalzugs nur am Ausgang für den linken Stereokanal (ST OUT L) des MT100 an. Wenn der PAN-Regler ganz in die RIGHT-Position gedreht ist, wird das Signal nur über den rechten Stereo-Ausgang (ST OUT R) des MT100 weitergegeben. In der Mittelstellung des PAN-Reglers liegt das Signal dieses Kanalzugs am linken und rechten Stereoausgang mit gleichem Pegel an und der Klang scheint aus der Mitte des Stereobilds zu kommen (d. h. zwischen den beiden Stereoboxen). Andere PAN-Reglerstellungen plazieren das Signal aufgrund von unterschiedlichen Stereokanalpegeln an die entsprechenden Positionen im Stereobild. Daneben können die Signale mehrerer Kanalzüge mit den PAN-Reglern auf einer Rekorderspur zusammengelegt werden. Daneben kann man mit diesen Reglern einen Mischmodul-Kanal einer Rekorderspur mit anderer Nummer zuordnen (siehe KANAL/SPUR-ZUWEISUNG auf Seite 54).



7 Stereo-Hauptfader (MASTER)

Der MASTER-Fader legt den Gesamtausgangspegel der Mischeinheit und damit den Ausgangspegel des Stereosignals an den ST OUT-Buchsen fest. Der MASTER-Fader beeinflusst auch die Aufnahmepegel, wenn Kanalzüge der Mischeinheit mit den PAN-Reglern Rekorderspuren zugewiesen werden (siehe AUSSTEUERN DER AUFNAHMEPEGEL auf Seite 56).

8 opfhörer-Wahlschalter (PHONES SELECT)

Das MT100 erlaubt problemloses Mithören über Kopfhörer, die an der PHONES-Buchse angeschlossen sind. Der PHONES SELECT-Schalter bestimmt, welche Signale zur Überwachung an die PHONES-Buchse gelegt werden.

MONITOR: In dieser Position werden nur die Signale der vier Rekorderspuren über die vier MONITOR-Regler an die PHONES-Buchse weitergegeben.

MIX: In dieser Schalterstellung werden die Signale der vier Rekorderspuren (über die MONITOR-Regler) und die Stereo-Ausgangssignale der Mischeinheit an die PHONES-Buchse gelegt.

STEREO: Damit werden nur die Stereo-Ausgangssignale der Mischeinheit an die PHONES-Buchse abgegeben.

9 Kopfhörerregler (PHONES)

Der PHONES-Regler dient zur unabhängigen Lautstärkeregelung für den Kopfhörer, wodurch der Mithörpegel problemlos eingestellt werden kann.

10 Kopfhörerbuchse (PHONES)

An diese Buchse kann ein beliebiger Stereo-Kopfhörer mit einer Impedanz zwischen 8 und 40 Ohm angeschlossen zu werden. Ein guter Kopfhörer empfiehlt sich als Werkzeug zum Abhören der verschiedenen Signale des MT100. Hierzu bietet sich der YAMAHA Kopfhörer MH100 als ideale Ergänzung an.

11 Effektsignal-Eingangsregler (AUX RTN)

Der AUX RTN-Regler bestimmt den Pegel, mit welchem das Effektsignal von einem externen Klangprozessor, der über die AUX SEND-Buchse gespeist wird, zurückkehrt und mit dem Stereo-Hauptsignal des MT100 abgemischt wird. Der Ausgang des Klangprozessors, dem die Signale von der AUX SEND-Buchse des MT100 zugeführt werden, muß mit der AUX RTN-Buchse des MT100 verbunden werden (Siehe VERWENDUNG DER AUX SEND/RTN-SCHLEIFE auf Seite 60).

12 Spurabhörregler (MONITOR)

Die vier MONITOR-Regler bestimmen den Mithörpegel für die Signale auf den entsprechenden Rekorderspuren, die in der PHONES SELECT-Schalterstellung "MONITOR" oder "MIX" an der PHONES-Buchse anliegen. Die MONITOR-Regler werden während Synchronaufnahmen (Overdubbing) in erster Linie zum Einstellen der Mithörpegel von bespielten Spuren verwendet.

13 Anzeigeschalter (METER)

In der "4 TRACK"-Stellung des METER-Schalters zeigen die vier LED-Spitzenwertmesser die Pegel der entsprechenden Rekorderspuren an, während in der "STEREO"-Stellung des METER-Schalters die LED-Spitzenwertanzeigen 1 und 2 den Signalpegel an den Stereo-Ausgängen (ST OUT-Buchsen) des Mischmoduls angeben.

14 LED-Spitzenwertanzeigen

Die vier LED-Spitzenwertanzeigen geben die Ausgangspegel der vier Rekorderspuren des MT100 mit höchster Genauigkeit an, wenn der METER-Schalter auf "4 TRACK" gestellt ist, während die Spitzenwertanzeigen 1 und 2 in der METER-Schalterstellung "STEREO" die Pegel der an den Stereo-Ausgängen (ST OUT-Buchsen) anliegenden Signale aufführen. Diese LED-Spitzenwertanzeigen spielen beim Aussteuern der Aufnahmepegel eine wichtige Rolle (siehe AUSSTEUERN DER AUFNAHMEPEGEL auf Seite 56).

15 dbx-Schalter (dbx ON/OFF)

Der dbx-Schalter dient zum Ein/Ausschalten der im MT100 integrierten dbx-Rauschunterdrückung. Bei normaler Aufnahme und Wiedergabe mit dem MT100 sollte der dbx-Schalter auf ON gestellt werden. Dadurch resultiert ein wesentlich besserer Rauschabstand (bis zu 85 dB), weshalb die Aufnahmen sauberer klingen und weniger Bandrauschen enthalten. Damit die dbx-Rauschunterdrückung wirken kann, muß sie zur Aufnahme wie zur Wiedergabe zugeschaltet werden. Zur Wiedergabe von Aufzeichnungen, die mit anderen Geräten ohne dbx-Rauschunterdrückung erstellt wurden, muß der dbx-Schalter auf OFF gestellt werden.

16 **Tonlagenregler (PITCH)**

Mit dem PITCH-Regler kann die Bandgeschwindigkeit um bis zu + 10% verändert werden, wodurch das mit dem MT100 aufgezeichnete Material auf Instrumente eingestellt werden kann. Außerdem kann damit eine Aufnahme geringfügig verlängert oder verkürzt werden, um Zeitvorgaben zu erfüllen. In der mittleren Einraststellung des PITCH-Reglers arbeitet das MT100 mit normaler Bandgeschwindigkeit, während ein Verschieben des Reglers auf die "+"-Seite die Geschwindigkeit erhöht und ein Verschieben auf die "-"-Seite sie vermindert.

17 **Bandgeschwindigkeitsschalter (TAPE SPEED)**

Mit dem TAPE SPEED-Schalter kann zwischen normaler (4,75 cm/Sek.) und hoher Bandgeschwindigkeit (9,5 cm/Sek.) umgeschaltet werden. Die normale Bandgeschwindigkeit (4,75) zur Wiedergabe von Bändern verwenden, die mit dieser Geschwindigkeit bespielt wurden, oder aber um Band zu sparen. Zum Erzielen der höchsten Klangqualität empfiehlt sich die hohe Bandgeschwindigkeit (9,5). Die qualitative Klangverbesserung aufgrund der hohen Bandgeschwindigkeit ist beträchtlich und wir empfehlen deshalb die hohe Bandgeschwindigkeit für alle Aufnahmen.

18 **Nullpunkt-Suchlauffaste (ZERO STOP)**

Der ZERO STOP-Taste ermöglicht ein schnelles Auffinden bestimmter Bandstellen. Dies ist besonders praktisch bei Mehrspuraufnahmen, da ja das Band mehrmals an die gleiche Stelle zurückgespult werden muß, um Overdubs (d. h. neue Spuren aufzeichnen, während die bisher aufgenommenen Spuren gleichzeitig wiedergegeben werden) anlegen zu können. Zum Verwenden der ZERO STOP-Funktion ganz einfach an der betreffenden Bandstelle die RESET-Taste drücken, um das Bandzählwerk (unter) auf "000" rückzustellen. Dann die ZERO STOP-Taste auf ON stellen, wodurch das Band beim Schnellvor/rücklauf automatisch stoppt, wenn die Zählwerkposition "000" erreicht ist.

19 **Bandzählwerk und Rückstelltaste (RESET)**

Dieses dreistellige Bandzählwerk gibt Aufschluß über die Bandstellung. Es empfiehlt sich die Zählwerkanzeige an wichtigen Bandstellen zu notieren, um sie nachher leichter auffinden zu können. Durch Antippen der RESET-Taste wird das Zählwerk an der gegenwärtigen Bandstellung auf "000" rückgestellt.

20 **Bandtransporttasten**

Diese elektronischen Tipptasten ermöglichen eine präzise Steuerung aller Bandtransportfunktionen.

PLAY: Löst die Wiedergabe aus, während der die grüne PLAY-Anzeige leuchtet.

RECORD: Durch Drücken der REC-Taste schaltet das MT100 auf Aufnahmepause. Falls alle REC SELECT-Schalter auf OFF gestellt sind, blinkt die rote REC-Anzeige und die orangefarbene PAUSE-Anzeige leuchtet auf. Falls sich ein REC SELECT-Schalter in einer anderen Position als OFF befindet, leuchten die REC-Anzeige und die orangefarbene PAUSE-Anzeige beide stetig. In diesem Schaltzustand arbeitet der Bandtransport noch nicht und die Aufnahme hat noch nicht begonnen. Um von der Aufnahmepause auf Aufnahme zu schalten, die PLAY-Taste drücken, wonach der Bandtransport startet und die Aufnahme beginnt (falls einer der REC SELECT-Schalter sich in einer anderen Stellung als OFF befindet). Während der Aufnahme leuchten die rote REC-Anzeige und die grüne PLAY-Anzeige gleichzeitig. Falls alle REC SELECT-Schalter auf OFF gestellt sind, ist das MT100 in Aufnahmebereitschaft, die rote REC-Anzeige blinkt weiterhin und das Band wird zwar vorgespult, aber die Aufnahme wird nicht gestartet, solange die REC SELECT-Schalter auf OFF stehen.

HINWEIS: Es wird nur auf die Spuren aufgenommen, deren REC SELECT-Schalter nicht auf OFF gestellt sind.

HINWEIS: Kassetten, deren Löschschtzungen herausgebrochen sind, können nicht bespielt werden.

PAUSE: Zur vorübergehenden Unterbrechung von Aufnahme und Wiedergabe. Während der Pause leuchtet die orangefarbene PAUSE-Anzeige. Zum Beenden der Pause und Fortsetzen der Wiedergabe bzw. Aufnahme einfach die PLAY-Taste antippen.

Schnellrück (REW) und Schnellvorlauf (FF): Diese Tasten dienen zum schnellen Zurück- bzw. Vorspulen des Bandes.

STOP: Stoppt den Bandlauf in allen Betriebsarten.

① **Kassettenfach**

Hier wird die Kassette eingelegt. Nur hochwertige Chrombänder (CrO₂) verwenden. Andere Bandsorten weisen nicht die richtigen Frequenzangeigenschaften auf und führen beim MT100 zu erhöhtem Bandrauschen. Den Kassettenfachdeckel (auf der rechten Seite befindet sich eine Noppe) öffnen und die Kassette so einlegen, daß deren Öffnung auf die Bandtransporttasten zeigt. Die Kassetten hinten unter den Haltefinger an der Rückseite des Kassettenfachs einsetzen und dann die Vorderseite (Bandöffnung) in den Transportmechanismus einrasten. Danach den Kassettenfachdeckel sanft schließen.

HINWEIS: Da das MT100 die gesamte Bandbreite zur Aufnahme von vier Spuren verwendet, kann nur eine Kassettenseite verwendet werden. Falls die Kassette umgedreht und bespielt wird, wird zuvor aufgenommenes Material gelöscht und überspielt.

② **Fußschalterbuchse für Einfügaufnahmen (PUNCH I/O)**

An diese Buchse kann ein YAMAHA FS-1 Fußschalter angeschlossen werden, mit dem Einfügaufnahmen (Punch-in/out) ausgelöst und beendet werden können (siehe PUNCH-IN/OUT-AUFNAHME auf Seite 61).

③ **Bandausgangsbuchsen (TAPE OUT)**

Die TAPE OUT-Buchsen stellen die Direktausgänge für die entsprechend nummerierten Rekorderspuren dar. Damit können die Signale auf den diversen Rekorderspuren einem externen Mischpult separat zugeführt werden. Über die TAPE OUT-Buchsen können die Signale auf den einzelnen Spuren externen Klangprozessoren getrennt zugeleitet werden und dann über die Eingänge des MT100-Mischmoduls wieder zurückgeführt werden. Bei den TAPE OUT-Ausgängen handelt es sich um Cinchbuchsen mit einem Nennausgangspegel von -10 dB bei einer Last von mehr als 50 kOhm.

④ **Linker und rechter Stereo-Ausgang (ST OUT L und R)**

Dies sind die Hauptausgänge des MT100. Diese Buchsen geben das abgemischte Stereo-Hauptsignal von der Mischeinheit des MT100 weiter. Die ST OUT-Buchsen können zur Wiedergabe an eine Stereoanlage angeschlossen werden, oder aber mit einem zweiten Kassettenrekorder verbunden werden, wenn eine Stereo-Mischung vom Masterband im MT100 angelegt werden soll. Bei den ST OUT-Buchsen handelt es sich um Cinchbuchsen mit einem Nennausgangspegel von -10 dB, wenn eine Last von mehr als 50 kOhm anliegt.

⑤ **Prozessor-Aus/Eingangsbuchsen (AUX SEND & RTN)**

Die AUX SEND- und RTN-Buchsen ermöglichen ein problemloses Zwischenschalten eines externen Klangprozessors (wie z. B. der YAMAHA R100 Reverb-Prozessor), um den Signalen des MT100 Effekte hinzuzufügen. Dazu ist die AUX SEND-Buchse mit dem Eingang des Klangprozessors und die AUX RTN-Buchse mit dem Ausgang des Klangprozessors zu verbinden (siehe "VERWENDUNG DER AUX SEND/RTN-SCHLEIFE auf Seite 60).

⑥ **Gleichspannungseingang (DC IN)**

An diese Buchse ist das Gleichspannungskabel des mitgelieferten YAMAHA PA-100 Netzadapters anzuschließen. Der Netzadapter selbst wird in die Netzsteckdose eingeführt.

Vorsicht: Nur den YAMAHA Netzadpater PA-100 zur Stromversorgung des MT100 verwenden. Andere Netzadapter können Betriebsstörungen oder Schäden am MT100 verursachen.

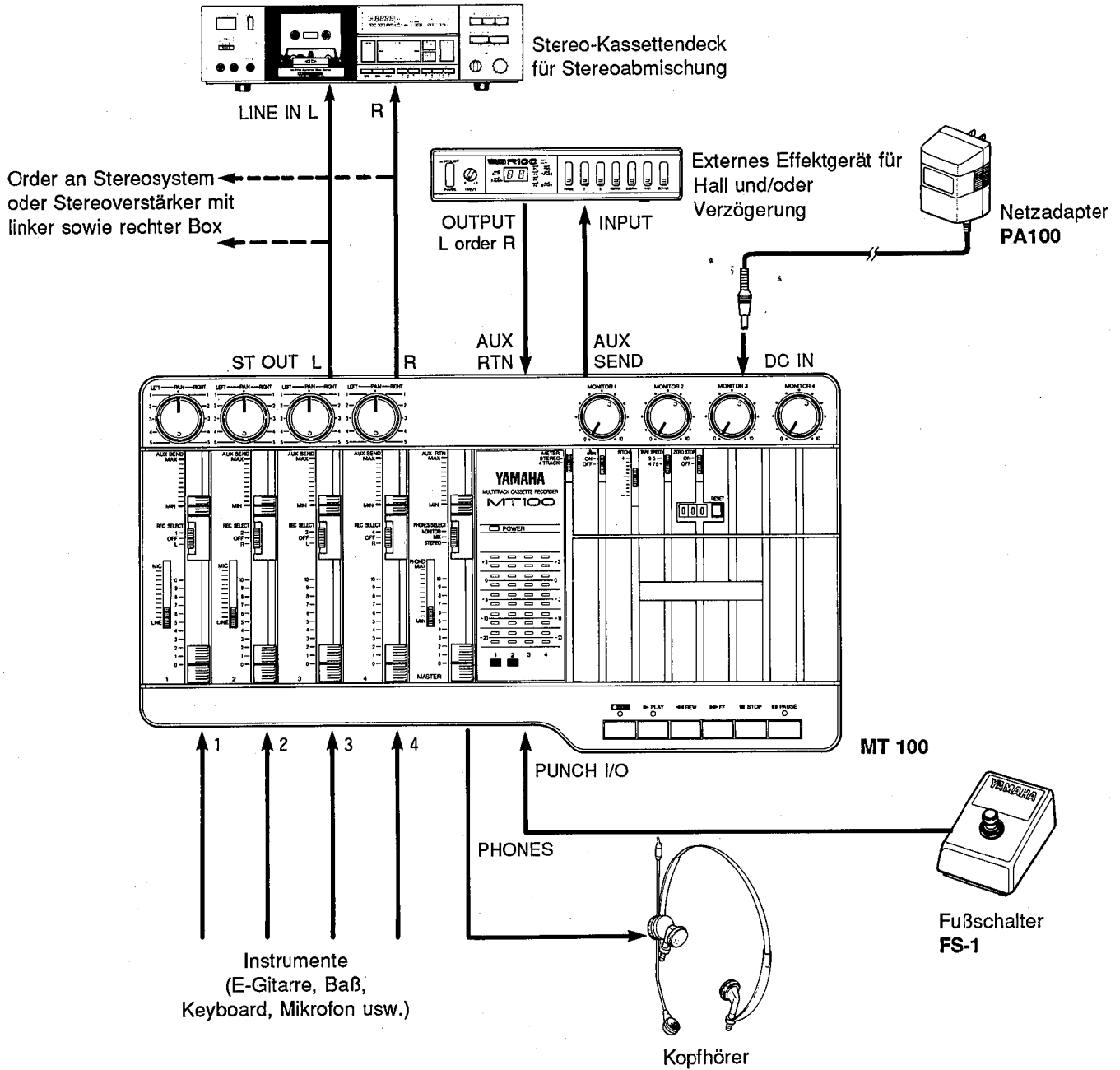
⑦ **Ein/Aus-Schalter (POWER)**

Den POWER-Schalter zum Einschalten des Geräts drücken. Zum Ausschalten erneut drücken. Bei eingeschaltetem MT100 leuchtet die POWER-Anzeige über den Spitzenwertanzeigen auf.

HINWEIS: Falls Sie sich mit Blockdiagrammen von elektronischem Gerät auskennen, können Sie unter "BLOCKDIAGRAMM" auf Seite 63 eine Übersicht über das MT100-System finden.

ANSCHLUSSBEISPIELE

— BASISANSCHLÜSSE —



* Vor dem Anschließen alle Geräte AUSSCHALTEN.

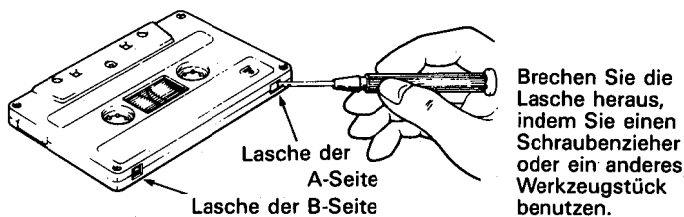
GRUNDLEGENDES ÜBER CASSETTEN

Dieses Gerät wurde entwickelt, um mit Chromcassetten gebraucht zu werden und funktioniert daher nicht mit Ferrochrombändern. Es sollten demnach CrO₂ Bänder (Bias: HIGH; EQ: 70µs) verwendet werden. Es empfiehlt sich auch, keine C-120 Cassetten zu benutzen, da deren Leistung nicht so gut ist und sie daher Probleme schaffen könnten.

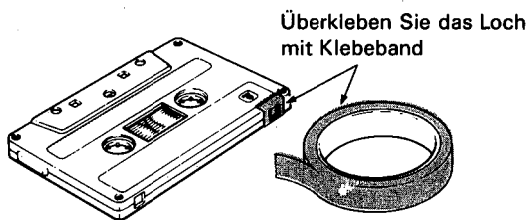
● Verhindern von irrtümlichem Überspielen

Um eine Aufnahme vor irrtümlichem Überspielen zu schützen, verfügen alle Cassetten am oberen Rand des Gehäuses über Aufnahmeschutzlaschen. Wird diese Lasche mit Hilfe eines Schraubenziehers oder eines anderen Werkzeugs herausgebrochen, so kann man auf die entsprechende Seite der Cassette nichts mehr aufnehmen. So sind Ihre Aufnahmen gegen irrtümliches Überspielen geschützt. Bei Vierspuraufnahmen, müssen beide Laschen herausgebrochen werden. Wenn Sie jedoch eine geschützte Cassette Überspielen möchten, kleben Sie am besten etwas Klebeband über die Löcher der Laschen.

● Schützen vor irrtümlichem Überspielen



● Überspielen einer geschützten Aufnahme



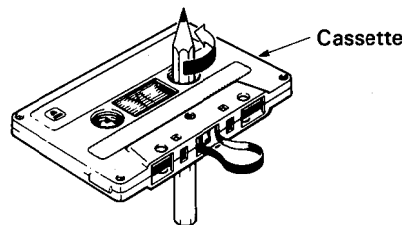
● Abspielen von Cassetten, die auf anderen Rekordern aufgenommen wurden.

Wenn Sie normale Cassetten oder Cassetten, die mit Dolby B aufgenommen wurden, auf dem MT1X abspielen möchten, gehen Sie am besten vor, wie folgt:

- 1) **Abspielen von normalen Cassetten** — Schieben Sie den HI-Regler des Equalizer in die "+"-Gegend, um die Höhen zu verstärken, bis der Klang annehmbar wird.
- 2) **Abspielen von Dolby B NR Aufnahmen** — Schalten Sie den dbx-Schalter auf OFF und schieben Sie den HI-Regler des Equalizers in die "-"-Gegend, bis der Klang zufriedenstellend ist.

● Straffen des Bandes

Falls das Band nicht straff aufgewickelt ist, oder aus dem Gehäuse heraushängt, kann es passieren, daß es sich um Tonwelle oder Andruckrolle wickelt und dadurch irreparabel beschädigt wird. Außerdem kann Bandsalat den Mechanismus des Bandtransports in Mitleidenschaft ziehen. Um das Band straff zu wickeln, führen Sie einen Bleistift oder Kugelschreiber in die Nabe der Spule ein und wickeln da lose Band auf.



● Cassettenlagerung

Um Lockern des Bandes zu vermeiden sollten Sie die Cassette mit einem Stopper versehen oder sie in ihrem Gehäuse aufbewahren. Schützen Sie Cassetten vor direkter Sonneneinstrahlung, überhohen Temperaturen und hoher Feuchtigkeit, da das den Cassetten nicht sehr gut tut. Meiden Sie desweiteren magnetische Felder (in der Nähe von Fernsehern, Lautsprechern usw.), da die Aufnahmen verändert oder ganz gelöscht werden könnten.

AUFNAHME

Die Aufnahme mit dem MT100 ist ein ganz einfacher Vorgang. Sie benötigen dazu nur Kopfhörer und ein Instrument, ein Mikrofon oder eine andere Signalquelle.

Mehrspuraufnahmen lassen sich in folgende grundlegende Schritte unterteilen:

1. Aufnahme auf die erste Spur

- a) Kanal/Spur-Zuweisung.
- b) Den Aufnahmepegel aussteuern.
- c) Aufnahme.

2. Synchronaufnahme auf die restlichen Spuren

- a) Kanal/Spur-Zuweisung für jede Spuraufnahme.
- b) Den Aufnahmepegel für jede Aufnahme aussteuern.
- c) Die Spuraufnahme durchführen.

3. Pingpong-Aufnahme und weitere Spuraufnahmen (falls erforderlich)

4. Mischen

- a) Mithörfunktion zum Abmischen einstellen.
- b) Eine grobe Mischung erstellen und Effekte hinzufügen.
- c) Die endgültige Mischung erstellen und überprüfen.
- d) Die ST OUT-Buchsen des MT100 mit einem Stereo-Kassettenrekorder verbinden.
- e) Die Mischung vom MT100 auf den Stereorekorder überspielen.

Diese Schritte und die verwendete Terminologie werden anschließend ausführlich besprochen, weshalb es sich empfiehlt, die nachfolgenden Abschnitte der Reihe nach durchzulesen, um ein klares Verständnis des Aufnahmeprozesses zu gewinnen.

AUFNAHME AUF DIE ERSTE SPUR SCHRITT

1: KANAL/SPURZUWEISUNG

Bei allen Aufnahmen muß zuerst der Kanalzug, an dem das Instrument oder die Programmquelle angeschlossen ist, einer der Rekorderspuren zugewiesen werden.

Das MT100 bietet zwei verschiedene Verfahren zur Kanal/Spurzuweisung, die individuell oder in Kombination angewendet werden können, um die erwünschten Spurzuweisungen durchführen zu können. Damit kann je nach Aufnahmematerial ein einzelnes Instrument oder eine Programmquelle einer einzelnen Spur zugeordnet werden, oder aber eine Reihe von Instrumenten oder Programmquellen zusammengelegt und auf einer Spur aufgezeichnet werden.

Direkte Kanal/Spurzuweisung

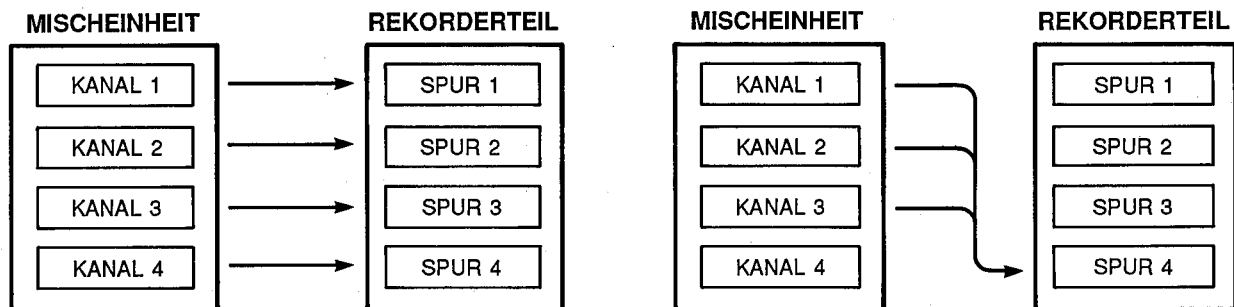
Mit diesem Verfahren wird ein Instrument oder eine Programmquelle, die an einem Kanalzug angeschlossen ist, der Rekorderspur mit der gleichen Nummer wie der Kanal zugewiesen. Damit kann man eine Spur alleine oder alle vier Spuren simultan bespielen.

Zur direkten Kanal/Spurzuweisung muß der entsprechende REC SELECT-Schalter des aufzunehmenden Kanals auf die Nummernposition (1, 2, 3 oder 4) gestellt werden. Wenn z. B. REC SELECT-Schalter 1 in Stellung "1" steht, werden die Signale von Kanal 1 direkt zur Spur 1 des Rekorders geführt. Die anderen Kanäle und Spuren werden auf gleiche Weise zugewiesen.

Kanal/Spurzuweisung mit PAN-Regler

Mit Hilfe der PAN-Regler können mehrere Mischmodul-Kanäle auf einer einzigen Rekorderspur zusammengelegt werden. Ebenso kann ein einziger Kanal der Mischeinheit mehreren Rekorderspuren zugewiesen werden.

Jeder REC SELECT-Schalter weist entweder eine "L"- oder "R"-Position auf. Diese entsprechen dem linken (L) bzw. rechten (R) Stereo-Ausgangskanal des Mischmoduls. Wenn ein REC SELECT-Schalter z. B. auf "L" gestellt ist, können beliebige Mischmodul-Kanalzüge der dem Schalter zugeordneten Spur zugewiesen werden. Dazu müssen dann nur noch die entsprechenden PAN-Regler ganz in die LEFT-Stellung gebracht werden. Wenn Sie daher den REC SELECT-Schalter 4 auf "R" und den PAN-Regler von Kanal 1 ganz auf RIGHT stellen, ist Kanal 1 der Rekorderspur 4 zugeordnet. Um die im Diagramm gezeigte Zuweisung auszuführen, wird REC SELECT-Schalter 4 auf "R" gebracht und die PAN-Regler von Kanal 1, 2 und 3 voll auf RIGHT gestellt. Gleichzeitig wird der PAN-Regler von Kanal 4 in die ganz linke (LEFT) Position gedreht, damit das Signal von Kanal 4 nicht Spur 4 des Rekorders zugeführt werden kann.



SCHRITT 2: AUFNAHMEÜBERWACHUNG

Nachdem die Programmquelle am Eingang eines Kanalzugs angeschlossen und dieser Kanal einer Spur zugewiesen wurde, empfiehlt es sich das Mithörsystem einzustellen, um die Spur, auf die aufgezeichnet wird, während der Aufnahme abhören zu können.

Mithören über Kopfhörer

Das Mithören über einen an der PHONES-Buchse angeschlossenen Kopfhörer bietet die größte Flexibilität, weshalb es sich für die meisten Aufnahmebedingungen empfiehlt. Mit Hilfe des PHONES SELECT-Schalters kann das abzuhörende Signal auf folgende Weise angesteuert werden:

MONITOR: In dieser Schalterstellung werden die Ausgangssignale der vier Rekorderspuren über die vier MONITOR-Regler direkt an die Kopfhörerbuchse gelegt. Die MONITOR-Regler dienen zum Einstellen der Mischung der abzuhörenden Signale. Diese Anordnung ist ideal für die allgemeine Aufnahmeüberwachung, da die Mithörmischung unabhängig von den Kanalfadern eingestellt werden kann. Bereits aufgezeichnetes Material wird über den entsprechenden MONITOR-Regler der PHONES-Buchse zugeführt. Natürlich müssen dazu die REC SELECT-Schalter der Wiedergabekanäle auf OFF gestellt sein. Die Signale von Instrumenten oder anderen Quellen, die einer beliebigen Rekorderspur zugewiesen sind, werden ebenso über die betreffenden MONITOR-Regler an die PHONES-Buchse abgegeben.

MIX: In dieser Schalterstellung werden der PHONES-Buchse die Ausgangssignale der vier Rekorderspuren (über die entsprechenden MONITOR-Regler) und die Stereo-Ausgangssignale der Mischeinheit zugeführt.

STEREO: In dieser Schalterstellung liegt nur das Stereo-Ausgangssignal der Mischeinheit an der Kopfhörerbuchse an. Diese Stellung wird zum Abmischen einer vollendeten Mehrspuraufnahme eingesetzt, da ja beim Mischen die Stellungen der Kanalfader und der AUX SEND- und RTN-Regler (bei Zuschalten von Effektsignalen) überwacht werden müssen. Vor dem Mischen sicherstellen, daß keine Quellen an den Eingängen der Mischeinheit angeschlossen sind, damit die Ausgangssignale der Rekorderspuren alle zu den Eingängen der Mischeinheit geführt werden können.

Mithören über Verstärker/Lautsprechersystem

Neben Kopfhörern können auch Stereoanlagen mit Lautsprechern oder Lautsprecher mit integriertem Verstärker (wie die YAMAHA MS101 Monitor-Lautsprecher) zur Wiedergabe verwendet werden. Dazu wird das Verstärker/Lautsprechersystem mit den ST OUT-Ausgängen des MT100 verbunden. Wenn das MT100 auf diese Weise wiedergegeben wird, können nur die Signale an den Stereo-Ausgängen der Mischeinheit des MT100 gehört werden. Dies entspricht bei der Wiedergabe über Kopfhörer der PHONES SELECT-Schalterstellung STEREO. Daher ist die Verwendung einer Stereoanlage zur Aufnahmeüberwachung nicht ratsam. Bei der endgültigen Abmischung empfiehlt sich jedoch solch ein System, da damit die Mischung unter den Bedingungen kontrolliert werden kann, unter denen ja später das fertige Masterband wiedergegeben wird, nämlich über eine Stereoanlage.

Hinweis: Zur Überwachung von Mikrofonaufnahmen keinesfalls Lautsprecher verwenden, da deren wiedergegebenen Klänge mitaufgezeichnet werden und somit die Aufnahme verderben.

SCHRITT 3: AUSSTEUERN DER AUFNAHMEPEGEL

Das korrekte Aussteuern der Aufnahmepegel ist Voraussetzung für gute Aufnahmequalität.

1. Den Fader des aufzunehmenden Kanals in die "0"-Stellung schieben und den MIC/LINE-Trimmregler (falls über Kanal 1 oder 2 aufgezeichnet wird) ganz auf LINE stellen.
2. Nachdem diese Einstellungen durchgeführt sind, das Programm mit dem lautesten Pegel spielen, der für diese Aufnahme vorgesehen ist.
3. Den MASTER-Fader auf "7" oder "8" setzen und den Kanalfader verschieben, bis die LED-Spitzenwertanzeigen zu reagieren beginnen. Falls es sich bei der Quelle um ein elektrisches Instrument (Baß oder Gitarre) oder ein Mikrofon handelt und über Kanal 1 oder 2 aufgezeichnet wird, muß der MIC/LINE-Trimmregler unter Umständen in Richtung MIC verstellt werden, um eine genügend hohe Spitzenwertanzeige zu erzielen. Den Kanalfader (und falls notwendig, den MIC/LINE-Trimmregler) so einstellen, daß

die angezeigten Spitzenpegel zwischen "0" und "3" liegen. Idealerweise sollte eine Kanalfaderstellung zwischen "7" und "8" diese Spitzenpegel bewirken. Damit wird der bestmögliche Rauschabstand und andererseits genug Spielraum für spätere Pegelkorrekturen gewährleistet. Falls die Faderstellung stark von den empfohlenen Werten abweicht, kann dies evtl. über den Lautstärkeregler des Instruments oder der Programmquelle korrigiert werden, um optimale Aufnahmepegel mit einer Faderstellung zwischen "7" und "8" zu erzielen.

SCHRITT 4: AUFNAHME

Nachdem der Eingangskanal einer Rekorderspur zugewiesen und die Mithörfunktion eingestellt wurde, die Aufnahmepegel optimal ausgesteuert wurden, kann mit der Aufnahme begonnen werden.

1. Sicherstellen, daß sich eine Kassette im Kassettenfach befindet und daß sie bis zum Startpunkt der Aufnahme zurückgespult ist. Es empfiehlt sich zu diesem Zeitpunkt die RESET-Taste zu drücken, um den Bandzähler auf "000" rückzustellen. Damit kann der Anfangspunkt der Aufnahme danach mit der ZERO STOP-Funktion sofort gefunden werden.
2. Die REC-Taste und dann die PLAY-Taste drücken, um die Aufnahme auszulösen, ein paar Sekunden warten und dann mit dem Spielen beginnen.
3. Am Ende der Aufzeichnung für diese Spur die STOP-Taste drücken, den REC SELECT-Schalter der gerade bespielten Spur auf OFF stellen und die REW-Taste drücken (das Band stoppt automatisch an der Bandzählerstellung "000", falls der ZERO STOP-Schalter auf ON gestellt ist).

4. Die Aufnahme durch Drücken der PLAY-Taste wiedergeben und die Spur abhören, um die Aufnahme zu überprüfen.

Hinweis: Beim Aufnehmen der ersten Spur ist es äußerst wichtig zu erst einen oder zwei Takte zum Einzählen aufzunehmen, bevor das Instrument gespielt wird. Falls Sie nämlich keinen Einzähltakt aufgezeichnet haben, werden Sie große Schwierigkeiten haben, den Beginn der zweiten Spur mit der ersten zu koordinieren.

SYNCHRONAUFNAHME (OVERDUBBING)

Das englische Wort *Overdubbing* beschreibt die Synchronaufnahme einer oder mehrerer neuen Spuren, während die vorher bespielten Spuren gleichzeitig abgehört werden. Falls Sie nur insgesamt vier Spuren aufzeichnen wollen, können Sie gleich mit der Aufnahme der 2., 3. und 4. Spur fortfahren. Falls Sie jedoch mit Hilfe der Pingpong-Methode mehr als vier Stimmen aufzeichnen wollen, sollten Sie zunächst nur drei Spuren aufnehmen und dann die Beschreibung der Pingpong-Aufnahme lesen (siehe PINGPONG-AUFNAHME auf Seite 58).

1. Das aufzuzeichnende Instrument oder die Programmquelle an den vorgesehenen Kanaleingang anschließen.
2. Sicherstellen, daß die REC SELECT-Schalter von bereits bespielten Spuren auf OFF gestellt sind, damit diese Spuren bei der nächsten Aufnahme nicht überspielt werden.
3. Die Kanal/Spurzuweisung für die neue Spur ausführen.
4. Die Einstellungen zum Mithören überprüfen, um sicherzustellen, daß die zuvor bespielten Spuren zusammen mit dem Aufnahmematerial wiedergegeben werden (bei Kopfhörereinsatz den PHONES SELECT-Schalter auf MONITOR stellen).
5. Den Aufnahmepegel für die neue Spur aussteuern.
6. Jetzt kann die nächste Synchronaufnahme noch einmal geprobt werden, während die zuvor bespielten Spuren wiedergegeben werden.
7. Darauf achten, daß das Band zum Aufnahmeanfangspunkt zurückgespult ist und dann die Aufnahme auslösen.

Diese Schritte werden ganz einfach wiederholt, um weiteres Material in die Spuren 3 und 4 einzuspielen.

PINGPONG-AUFNAHME (SPURMISCHAUFNAHME)

Bei der Pingpong- oder Spurmischtaufnahme handelt es sich um ein Verfahren, um mehr als vier Stimmen mit einem Vierspurrekorder aufzunehmen.

Bei der Pingpong-Aufnahme werden z. B. zuerst die Spuren 1, 2 und 3 bespielt, dann mit Hilfe der Kanalfader usw. auf das korrekte Pegelverhältnis abgemischt und auf Spur 4 zusammengelegt. Dadurch haben Sie eine Mischung der ersten drei Spuren auf Spur 4 und die Spuren 1, 2 und 3 sind frei für weitere Aufnahmen. Damit können Sie bereits "6" Spuren auf einem Vierspurrekorder unterbringen. Während dem Abmischen der ersten drei Spuren auf Spur 4 kann gleichzeitig über die Mischeinheit des MT100 eine Aufnahme eines weiteren Instruments angelegt werden. Damit würde Spur 4 vier Stimmen enthalten. Da ja die ersten drei Spuren für die Aufnahme frei sind, stehen also insgesamt 7 Spuren zur Aufnahme zur Verfügung. Wenn Sie nun nur die ersten 2 Spuren bespielen und auf Spur 3 zusammenlegen und dabei gleichzeitig ein weiteres Instrument auf Spur 3 aufzeichnen haben Sie vier

Stimmen auf Spur 4, 3 Stimmen auf Spur 2 und zwei weitere freie Spuren, d. h. insgesamt 9 Stimmen. Mit diesem Verfahren können tatsächlich bis 10 individuelle Stimmen aufgenommen werden, ohne eine Spur mehr als einmal bespielen zu müssen (siehe Abb.).

Hinweis: Die Pingpong-Aufnahme oder Spurmischtaufnahme ist ein wichtiger Schritt. Die zusammengelegten Spuren müssen perfekt abgemischt sein, bevor weitere Spuren aufgenommen werden können. Dies ist ganz logisch, da ja nach dem Zusammenlegen der Spuren und Überspielen der ursprünglichen Spuren die Spurbalance und der Klang der kombinierten Spuren nicht mehr verändert werden kann. Bei einer schlechten Mischung muß daher das ursprüngliche Material noch einmal gespielt und aufgenommen werden.

BEISPIEL: Aufzeichnung der Stimmen 1 bis 10 mit Pingpong-Aufnahme.

	Aufnahme von Stimme 1, 2 und 3.	Zusammenlegen von 1, 2 und 3 auf Spur 4 bei gleichzeitiger Synchronaufnahme von Stimme 4.	Aufnahme von Stimme 5 und 6.	Zusammenlegen von 5, 6 auf Spur 3 bei gleichzeitiger Synchronaufnahme von Stimme 7.	Aufnahme von Stimme 8.	Umlegen von 8 auf Spur 2 bei gleichzeitiger Synchronaufnahme von Stimme 9.	Aufnahme von Stimme 10-der letzten.
SPUR 1	1		5		8		10
SPUR 2	2		6			8 + 9	8 + 9
SPUR 3	3			5, 6 + 7	5, 6 + 7	5, 6 + 7	5, 6 + 7
SPUR 4		1, 2, 3 + 4	1, 2, 3 + 4	1, 2, 3 + 4	1, 2, 3 + 4	1, 2, 3 + 4	1, 2, 3 + 4

BEISPIEL FÜR EINE PINGPONG-AUFNAHME

Das folgende Beispiel zeigt, wie die Spuren 1, 2 und 3 auf Spur 4 zusammengelegt werden.

Zunächst die notwendigen Einstellungen:

•Eingangsbuchsen

Sicherstellen, daß keinerlei Geräte an den Eingängen der Mischeinheit angeschlossen sind.

•Kanalfader

Zuerst die Kanalfader 1 bis 3 auf ungefähr "7" einstellen und Kanalfader 4 in Stellung "0" bringen.

•REC SELECT-Schalter

Die REC SELECT-Schalter 1 - 3 auf OFF und den REC SELECT-Schalter 4 auf "R" stellen.

•AUX SEND-Regler

Zunächst alle vier AUX SEND-Regler auf MIN stellen.

•PAN-Regler

Da der REC SELECT-Schalter 4 auf "R" gestellt ist, müssen die PAN-Regler 1 bis 3 ganz nach rechts gedreht werden, um die Signale der Spuren 1 bis 3 der Rekorderspur 4 zuzuweisen. Der PAN-Regler für Kanal 4 kann auf die Mittelposition gestellt werden.

•AUX RTN-Regler

Zunächst auf MIN stellen.

•PHONES SELECT-Schalter

Auf MIX stellen, damit nur die Signale vom Rekorderteil des MT100 zu hören sind.

•MONITOR-Regler

Die MONITOR-Regler der Kanäle 1 bis 3 ganz nach links zurückdrehen und den MONITOR-Regler 4 ungefähr in die Mittelstellung bringen, um den besten Mithörpegel zu bekommen.

1. Das Band wiedergeben, jedoch noch nicht die REC-Taste drücken. Die Fadereinstellung für Kanal 4 nach und nach erhöhen bis die bespielten Spuren zu hören sind und die Spitzenpegel auf Kanal 4 bei ungefähr "0" liegen (werden über die Spitzenwertanzeige für Kanal 4 aufgeführt).
2. Die Kanalfader 1, 2 und 3 vorsichtig einstellen, bis die erwünschte Balance zwischen den ersten drei Spuren erreicht ist. Aufgrund dieser Einstellungen kann sich die Spitzenwertanzeige für Kanal 4 beträchtlich verändern, was durch Verstellen des Kanalfaders 4 kompensiert werden muß.
3. Nachdem alle Einstellungen korrekt vorgenommen wurden, das Band zum Aufnahmestartpunkt zurückspulen und auf Aufnahme schalten. Nach Beenden der Pingpong-Aufnahme den Rekorder stoppen. Nun das Band zurückspulen, dann wiedergeben und dabei die Pingpong-Aufnahme sorgfältig mithören. Falls die Mischung nicht die Anforderungen erfüllt, die Pingpong-Aufnahme wiederholen. Diese Spurmischtaufnahme kann beliebig oft wiederholt werden, bis das erwünschte Ergebnis erzielt wird. Danach kann neues Material aufgezeichnet und das alte Material auf den ersten drei Spuren gelöscht werden.
4. Nun die nächsten Spuren bespielen und gegebenenfalls auf Spur 3 zusammenlegen.

MASTERMISCHUNG (STEREO-ABMISCHUNG)

Die Mastermischung ist die letzte Stufe des Aufnahmeprozesses, bei der der mehrspurige Masterband in ein Mono- oder Stereo-Masterband abgemischt wird. Dazu wird das Material auf den Spuren des MT100 mit der Mischeinheit abgemischt und mit einer herkömmlichen Stereobandmaschine aufgezeichnet. Dabei müssen die Spurpegel genauestens aufeinander abgestimmt werden, um den richtigen Klang und die erwünschte Mischung zu erzielen. Spuren können je nach Erfordernis ein- und ausgeblendet werden, während mit Hilfe von externen Klangprozessoren Halleffekte nachträglich eingefügt sowie Entzerrungen durchgeführt werden können. Mit den PAN-Reglern des Mischmoduls kann die Position jeder Spur im Stereoklangbild bestimmt werden oder sogar eine Spur zwischen linkem und rechtem Kanal verschoben werden, um einen dramatischen Effekt zu erzielen.

Zunächst die notwendigen Einstellungen:

•Eingangsbuchsen

Sicherstellen, daß keinerlei Geräte an den Eingängen der Mischeinheit angeschlossen sind.

•Kanalfader

Zuerst alle Kanalfader auf Stellung "0" schieben.

•REC SELECT-Schalter

Alle REC SELECT-Schalter auf OFF stellen.

•AUX SEND-Regler

Zunächst alle vier AUX SEND-Regler auf MIN stellen.

•PAN-Regler

Alle PAN-Regler vorerst in die Mittelstellung drehen.

•MASTER-Fader

Auf einen Wert zwischen "7" und "8" stellen.

•AUX RTN-Regler

Vorerst auf MIN stellen.

•PHONES SELECT-Schalter

Bei Verwendung eines Kopfhörers auf STEREO stellen. Wir empfehlen jedoch zur Überwachung der Abmischung eine externe Stereoanlage oder Monitor-Lautsprecher mit integriertem Verstärker (wie das YAMAHA MS101 Monitor-Lautsprechersystem), wobei die Einstellung des PHONES SELECT-Schalters keinen Einfluß hat.

•MONITOR-Regler

Alle MONITOR-Regler bis zum Anschlag nach links drehen.

•METER-Schalter

4 TRACK.

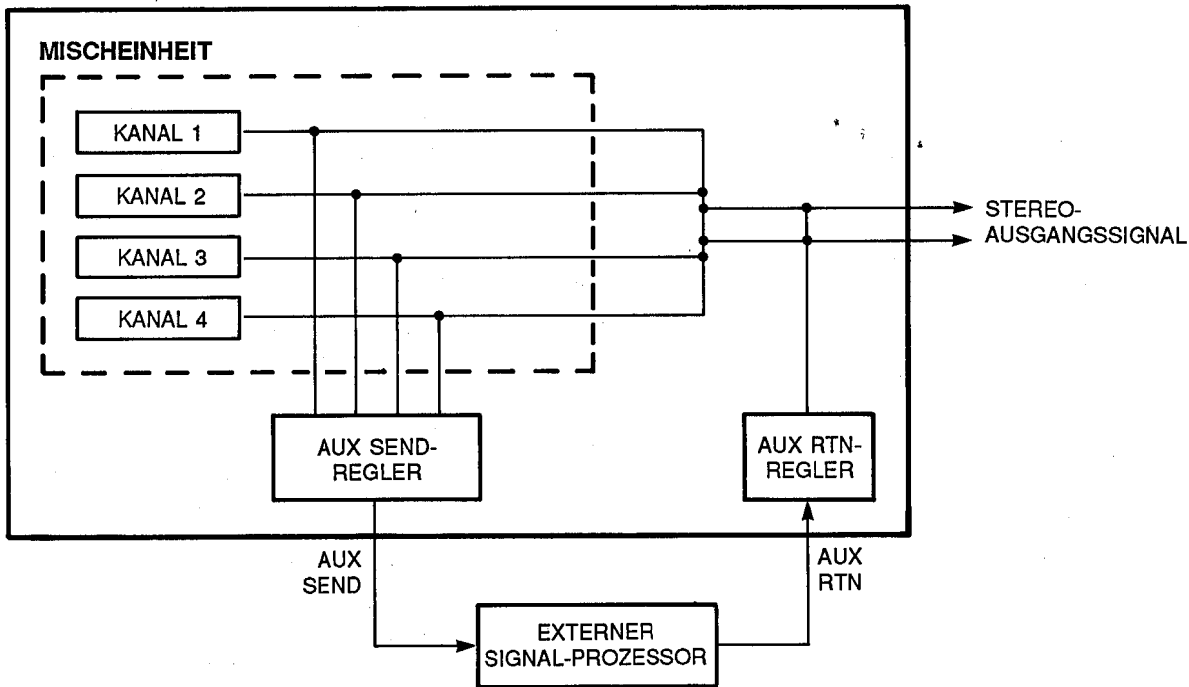
•dbx-Schalter

Falls die Aufnahmen mit dbx-Rauschunterdrückung angelegt wurden, den dbx-Schalter in der ON-Stellung belassen. Falls die Aufzeichnungen ohne dbx durchgeführt wurden, den Schalter auf OFF lassen.

1. Eine komfortable Hörposition vor den Monitor-Lautsprechern einnehmen.
2. Die einzelnen Spuren separat abhören und bewerten. Gegebenenfalls den Klang der Spuren einstellen. Dazu den Fader des Kanals verstellen, Effekte hinzufügen oder die Signale einen Prozessor durchlaufen lassen usw. Danach werden die anderen Spuren der Reihe nach überprüft und eingestellt. Falls ein externer Signalprozessor wie der YAMAHA R100 Nachhallprozessor an den AUX SEND/RTN-Buchsen des MT100 angeschlossen ist (siehe VERWENDUNG DER AUX SEND/RTN-SCHLEIFE im nächsten Kapitel), muß nur der erwünschte Effekt abgerufen werden und dann der Effektanteil auf jeder Spur mit den AUX SEND-Reglern justiert werden. Der AUX RTN-Regler muß ebenso auf einen angemessenen Pegel eingestellt werden.
3. Nachdem alle Spuren einzeln überprüft worden sind, alle Kanalfader zwischen "7" und "8" einstellen und das Band abspielen. Die gewünschte Gesamtbalance mit den Fadern justieren. Danach die einzelnen Spuren mit den PAN-Reglern im Stereobild positionieren und das Band aufmerksam abhören. Stimmt die Halleinstellung? Gegebenenfalls mit den AUTO SEND-Reglern die Effektstärke korrigieren. Stimmt die Balance? Falls nicht berichtigen. Es ist ausschlaggebend, daß alle Einstellungen korrekt sind, um ein gutes Stereo-Masterband zu erhalten. Daher sollten insbesondere vorgesehene Überblendungen und Pan-Effekte vor der endgültigen Stereo-Masteraufnahme geprobt werden, um Fehler und Zeitverlust zu vermeiden.
4. Nachdem sichergestellt wurde, daß alles bereit ist, kann die eigentliche Aufnahme der Mastermischung vorbereitet werden. Dazu die ST OUT-Buchsen des MT100 an den Eingängen eines Stereo-Kassettendecks anschließen. Der Kopfhörer kann nun an die Kopfhörerbuchse des Stereo-Kassettendecks angeschlossen werden, um die Aufnahme mitzuhören. Er kann aber auch weiter mit dem MT100 verbunden bleiben, da ja in der STEREO-Stellung des PHONES SELECT-Schalters das Master-Stereosignal an der Kopfhörerbuchse anliegt. Die Aufnahmepegel über die entsprechenden Regler des Stereo-Kassettendecks und gegebenenfalls auch über den MASTER-Fader des MT100 aussteuern. Dann die Aufnahme durchführen. Mit dem MASTER-Fader kann am Ende der Aufnahme eine langsame Ausblendung durchgeführt werden.

VERWENDUNG DER AUX SEND/RTN-SCHLEIFE

Die AUX SEND-Regler des MT100 wirken wie ein Sekundärmischmodul, das die Eingangssignale von den vier Kanälen des Mixers empfängt und in ein Mono-Signal verwandelt, das an die AUX SEND-Buchse gelegt wird (siehe Diagramm unten). Mit den AUX SEND-Reglern kann eine Effektmischung erzielt werden, die von der Hauptmischung vollkommen unabhängig ist. Dadurch kann ein Effekt auf jedem Kanal mit unterschiedlichem Grad wirken. Das AUX SEND-Signal wird dann zum Eingang eines externen Signalprozessors (Reverb, Echo oder andere Effektgeräte) geschickt und dann vom Ausgang des Prozessors über die AUX IN-Buchse zum MT100 zurückgesendet. Der Pegel des an der AUX IN-Buchse eintreffenden Signals kann mit dem AUX RTN-Regler justiert werden. Das resultierende Signal wird dann mit den Stereo-Mastersignalen des MT100 zusammengelegt. Da das zurückgegebene Effektsignal mit dem Stereo-Ausgangssignal der Mischeinheit kombiniert wird, eignet sich die AUX SEND/RTN-Schleife bei der endgültigen Abmischung besonders zum Hinzufügen von Effekten in einzelnen Spuren.



Hinweis: Da die AUX SEND/RTN-Schleife das Effektsignal an die Stereo-Ausgänge der Mischeinheit zurückführt, können den einzelnen Kanälen auch bei Pinpong-Aufnahmen Effekte hinzugefügt werden, falls die Kanalzuweisung über die PAN-Regler erfolgt. Die AUX SEND/RTN-Schleife kann jedoch nicht zum Einblenden von Effekten verwendet werden, falls die Aufnahmespuren mit der direkten Kanal/Spurzuweisung den Kanälen zugeordnet worden sind.

PUNCH-IN/OUT-AUFNAHME (EINFÜGAUFNAHME)

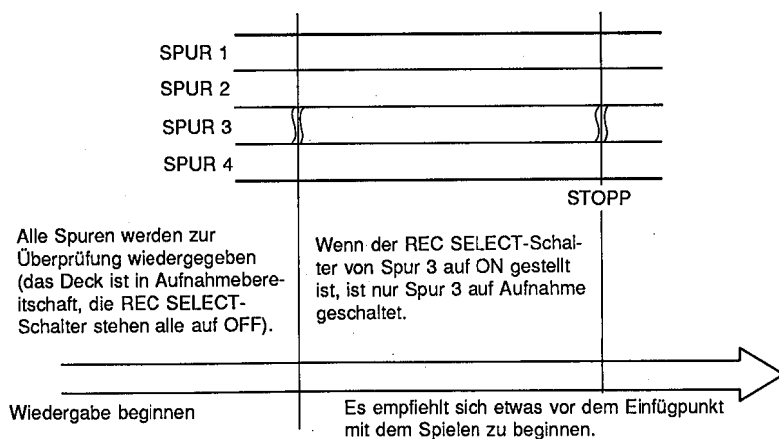
Mit Hilfe der Punch-in/out-Aufnahme kann ein kurzes Segment einer ansonsten perfekten Spur erneut aufgenommen werden, um Fehler zu korrigieren oder Verbesserungen vorzunehmen. Die Aufnahme wird am Beginn des betreffenden Segments ausgelöst und am Ende des neuen Segments gestoppt, wodurch das übrige Material nicht gelöscht wird.

Auslösen und Stoppen der Punch-in/out-Aufnahme mit den REC SELECT-Schaltern

1. Zunächst alle 4 REC SELECT-Schalter auf OFF stellen und dann das Deck ein paar Takte vor dem aufzunehmenden Segment durch Drücken der REC- und PLAY-Taste auf Aufnahmebereitschaft schalten. Damit blinkt die REC-Anzeige, um darauf hinzuweisen, daß der Bandtransport in Aufnahmebereitschaft läuft. Der PHONES SELECT-Schalter sollte auf MONITOR gestellt werden, damit alle Spuren abgehört werden können.
2. An einem günstigen Punkt auf der Spur, die zu korrigieren ist, deren REC SCHALTER in die entsprechende Aufnahme position bringen und das neue Material spielen, das aufgenommen werden soll. Sobald der REC SELECT-Schalter in eine Aufnahme position gebracht worden ist, leuchtet die REC-Anzeige stetig.
3. Am Ende des neu bespielten Segments den REC SELECT-Schalter auf OFF stellen, um diese Spur auf Wiedergabe zu schalten. Dadurch blinkt die rote REC-Anzeige wieder.

Auslösen/Stoppen der Punch-in/out-Aufnahme per Fußschalter

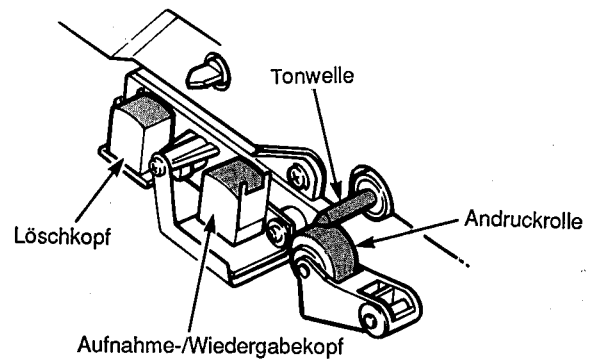
1. Einen YAMAHA FS-1 Fußschalter (getrennt erhältlich) an der PUNCH I/O-Buchse des MT100 anschließen.
2. Den REC SELECT-Schalter der Spur, in die die Neuaufnahme eingefügt werden soll, auf die entsprechende Aufnahme position stellen und dann die REC-Taste drücken, um auf Aufnahme pause zu schalten. Die rote REC-Anzeige sollte zu diesem Zeitpunkt zu blinken beginnen. Falls sie stetig leuchtet, den Fußschalter einmal drücken, damit sie blinkt.
3. Die PLAY-Taste drücken, damit der Bandtransport in Aufnahme bereitschaft zu laufen beginnt.
4. Am Startpunkt für die Punch-in-Aufnahme den Fußschalter drücken. Die rote REC-Anzeige leuchtet damit stetig.
5. Am Ende der Aufnahme den Fußschalter ein zweites Mal drücken. Damit beginnt die rote REC-Anzeige wieder zu blinken.



PFLEGE

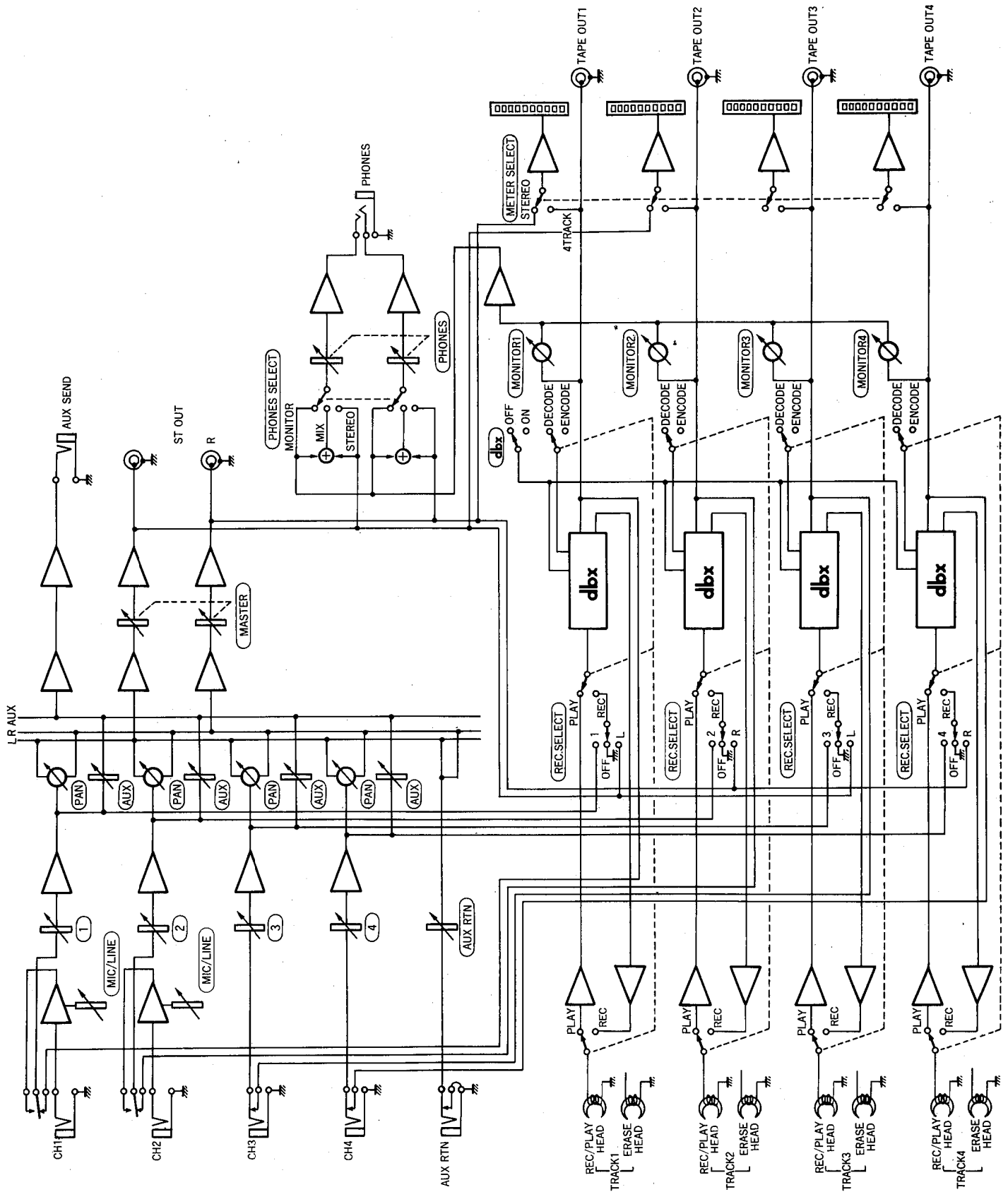
Machen Sie es sich zur Grundregel, die Tonköpfe und die Andruckrolle zu reinigen, bevor Sie sich an die Aufnahme machen, um so die beste Aufnahmequalität zu gewährleisten.

Im Laufe der Zeit verschmutzen Tonköpfe, Andruckrolle und Tonwelle. Dies führt zu Rauschen und Gleichaufschwankungen, die die Aufnahmequalität erheblich beeinträchtigen. Daher müssen Reinigung und Entmagnetisierung regelmäßig durchgeführt werden. Zum Reinigen nehmen Sie den Cassettenhalterungsdeckel ab und wischen die inneren Teile mit einem mit Alkohol oder Reinigungsflüssigkeit getränkten Wattestäbchen ab. Bitte bedenken Sie, daß nur saubere Köpfe gute Leistungen erbringen. Zur Entmagnetisierung einen qualitativ hochwertigen Entmagnetisierer verwenden und die zugehörige Anleitung genau befolgen.



■ Alle Teile müssen sauber gehalten werden.

BLOCKDIAGRAMM



TECHNISCHE DATEN

BANDTRANSPORT

Bandsorte	Chromband (70 us EQ)
Tonköpfe	Permalloy Vierkanal-Aufnahme/Wiedergabekopf, Vierkanal-Ferritlöschkopf
Bandgeschwindigkeit	4,75 cm/Sek., 9,5 cm/Sek.
Tonhöhenreglung	± 10%
Gleichlaufschwankungen	Unter 0,05% WRMS
Umspulzeit	Ca. 100 Sek. bei C-60 Bändern
Motor	DC-Servomotoren x 2

ANSCHLÜSSE

Input 1 & 2	Eingangsimpedanz	10 kOhm
	Nenneingangspegel	-10 dB bis -50 dB (Fader nominal)
	Max. Eingangspegel	+10 dB (Verstärkungsregler auf MIN.)
	Min. Eingangspegel	-56 dB (Verstärkungsregler, Fader MAX.)
Input 3 & 4	Eingangsimpedanz	10 kOhm
	Nenneingangspegel	-10 dB (Fader nominal)
	Min. Eingangspegel	-16 dB (Fader MAX.)
AUX RTN	Eingangsimpedanz	10 kOhm
	Nenneingangspegel	-10 dB (Fader nominal)
	Min. Eingangspegel	-16 dB (Fader MAX.)
ST OUT L & R	Ausgangsimpedanz	1 kOhm
	Lastimpedanz	Über 10 kOhm
	Nennausgangspegel	-10 dB an 50 kOhm
PHONES	Lastimpedanz	8 bis 40 Ohm
	Max. Ausgangsleistung	100 mW+ 100 mW/40 Ohm
TAPE OUT 1 bis 4	Ausgangsimpedanz	1 kOhm
	Lastimpedanz	Über 10 kOhm
	Nennausgangspegel	-20 dB an 50 kOhm
AUX SEND	Ausgangsimpedanz	1 kOhm
	Lastimpedanz	Über 10 kOhm
	Nennausgangspegel	-10 dB an 50 kOhm

ELEKTRISCHE DATEN

Frequenzgang	40 Hz bis 18 kHz + 3 db bei 9,5 cm/Sek. 40 Hz bis 12 kHz + 3 db bei 4,75 cm/Sek.
Rauschabstand	85 dbx ON
Verzerrung	Unter 1%, 315 Hz
Kanaltrennung	Mehr als 55 dB bei 1 kHz
Löschfaktor	Über 70 dB bei 1 kHz
Rauschunterdrückung	dbx*

ALLGEMEINES

Stromversorgung	US & Kanada-Modell: 120 V Wechselspannung, 60 Hz
(Netzadapter PA-100)	Allgemeines Modell: 220/240 V Wechselspannung, 50/60 Hz
Abmessungen(BxHxT)	382 x 65 x 205 mm
Gewicht	2,5 kg

* dbx ist das Markenzeichen von dbx Incorporated.

0 dB = 0.775 Vr.m.s.

Änderungen an technischen Daten und Design ohne Vorankündigung bleiben vorbehalten.

Bescheinigung des Importeurs

Hiermit wird bescheinigt, daß der / die / das

Multitrack Cassette Recorder Typ: MT100

(Gerät, Typ, Bezeichnung)

in Übereinstimmung mit den Bestimmungen der

VERFÜGUNG 1046/84

(Amtsblattverfügung)

funk-entstört ist.

Der Deutschen Bundespost wurde das Inverkehrbringen dieses Gerätes angezeigt und die Berechtigung zur Überprüfung der Serie auf Einhaltung der Bestimmungen eingeräumt.

YAMAHA Europa GmbH

Name des Importeurs

YAMAHA

YAMAHA CORPORATION
P.O.Box 1, Hamamatsu, Japan

R3 8809   Printed in Japan